

Title:

Fuselage assembly manual

Document no.:

D2_F0_00

Revision:

R05

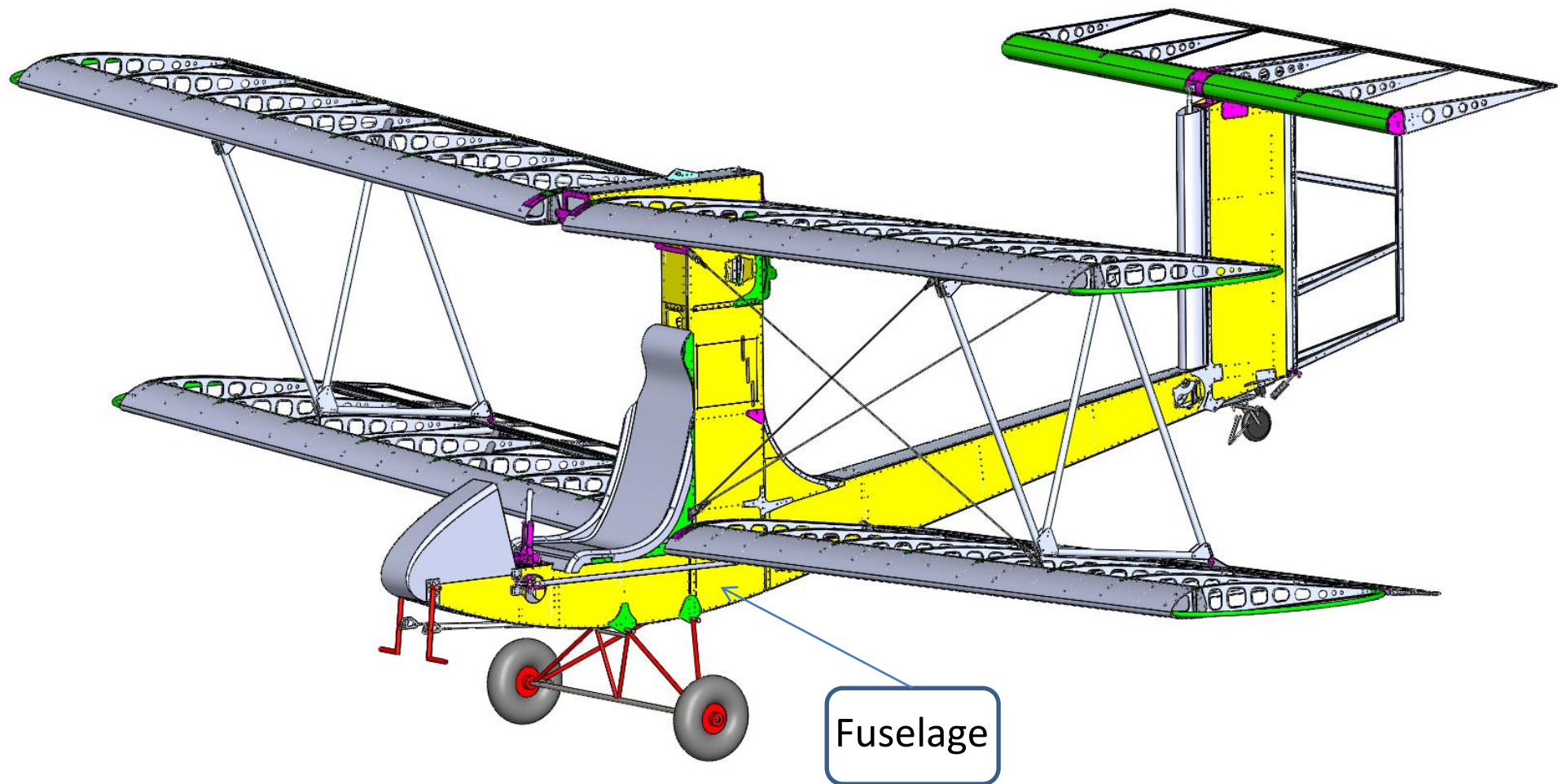
Title	Document no.	Revision	Page	Pages
Fuselage assembly manual	D2_F0_00	Rev. 05	1	406



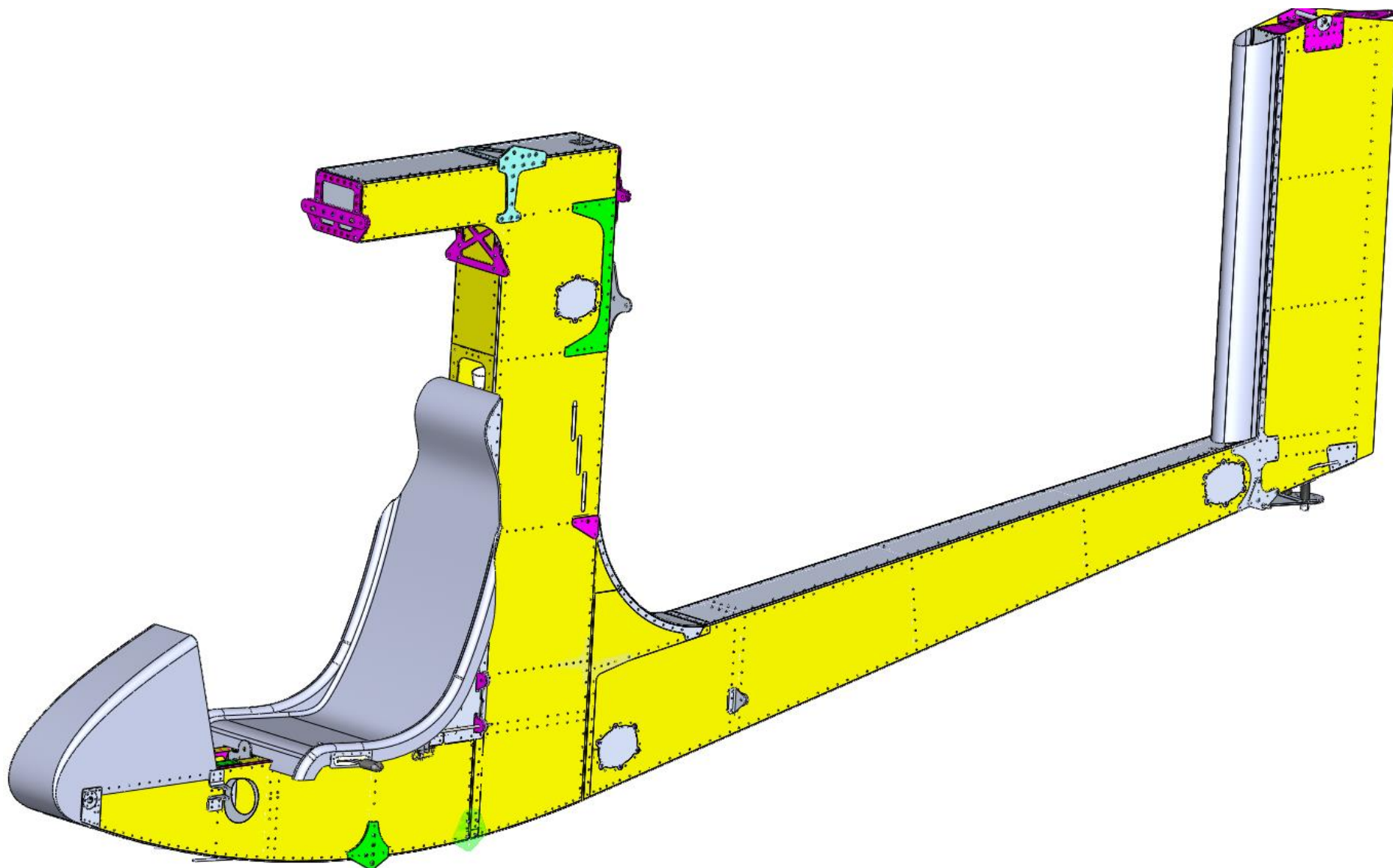
Table of revisions

Revision	Affected pages	Short description of change
00	All	Original issue
01	02, 19, 62, 64, 72, 76, 297, 299, 313, 315, 338	Table of revision, Emfimastic added to tail parts, rivets corrected on pages 76 and 315, PUR foam on page 338 added
02	319-325, 415	Riveting of tail wheel attachment corrected, option for baggage compartment assembly added.
03	5, 6, 20, 26, 63, 65, 73, 85, 178, 218, 263, 314, 340, 349, 350, 358, 359	Riveting of D2_F4_12L was moved to PART 11, together with part D2_F1_22N. Pages 349, 350 deleted. Pages 358, 359 changed. „Do not rivet“ signs were added (only there, where it is riveted in other chapter (PART)), general instructions were updated – page 6 added.
04	All	PART 5 – parts D2_08_01L & 01P were added, PART 7, PART10 – change in design was implemented (new parts D2_04_41L, P & 42L, P). Rubber edge trim was added to the seat, and corrected around the throttle lever. Bolt lengths were corrected. Rubber sealing washer was added into fuel assembly, plywood was added into throttle control.
05	6, 298, 299, 301, 302, 303	General instructions changed. Emfimastic added and rivets changed to attach parts D2_F4_37N

Title	Document no.	Revision	Page	Pages
Fuselage assembly manual	D2_F0_00	Rev. 05	2	406



Title	Document no.	Revision	Page	Pages
Fuselage assembly manual	D2_F0_00	Rev. 05	3	406




Title	Document no.	Revision	Page	Pages
Fuselage assembly manual	D2_F0_00	Rev. 05	4	406



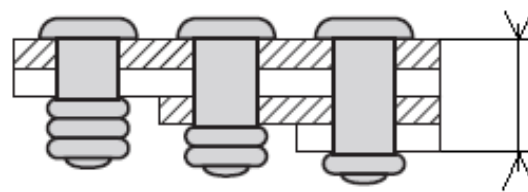
Fuselage

General instructions:



- Mark all bolt connections:
- If there is no specific rivet shown or called in the assembly, use rivet AVEX 3,2x7,9 Al/St
- Holes for rivets to be placed later (in different parts of assembly) are marked: 
- Use clecos for the preassembly, as shown in the video tutorial
- Use Polyurethane adhesive PU 50 Emfimastic, where shown in the manual
- It is the responsibility of each assembler, to check that the thickness of riveted parts matches the length of the rivet – follow

“Permissible joint length of the rivets“:



Joint length

Blind rivet type:	Manufacturer part number:	Can be also marked as:		Min. length:	Max. length:	Qty. / fuselage
AVEX Φ 3,2x7,9 Al/St	16910410	Al 3,2x7,9	AVEX Φ 3,2x7,9 Al/Fe	0,8mm	4,8mm	2495
AVEX Φ 3,2x11,2 Al/St	16910414	Al 3,2x11,2	AVEX Φ 3,2x11,2 Al/Fe	4,0mm	7,9mm	36
AVEX Φ 4x9,5 Al/St	16910512	Al 4x9,5	AVEX Φ 4x9,5 Al/Fe	1,0mm	6,0mm	80
AVEX Φ 4x12,7 Al/St	16910516	Al 4x12,7	AVEX Φ 4x12,7 Al/Fe	4,0mm	9,6mm	87
AVINOX Φ 4x12 EST/EST PH	14514012	INOX 4x12	AVINOX Φ 4x12 EST/EST PH	3,5mm	7,0mm	99
AVINOX Φ 4x10 EST/EST PH	14514010	INOX 4x10	AVINOX Φ 4x10 EST/EST PH	1,5mm	5mm	8

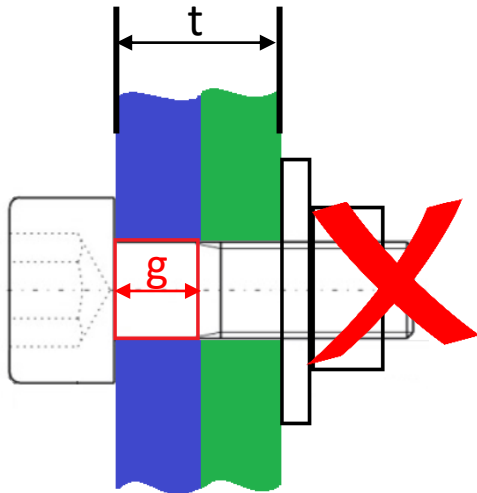
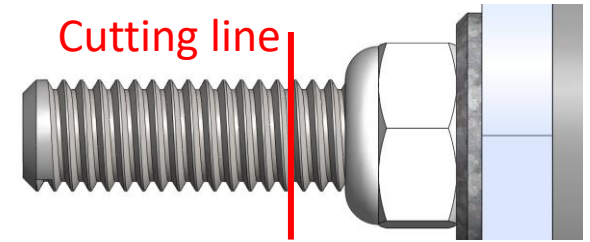
Title	Document no.	Revision	Page	Pages
Fuselage assembly manual	D2_F0_00	Rev. 05	5	406



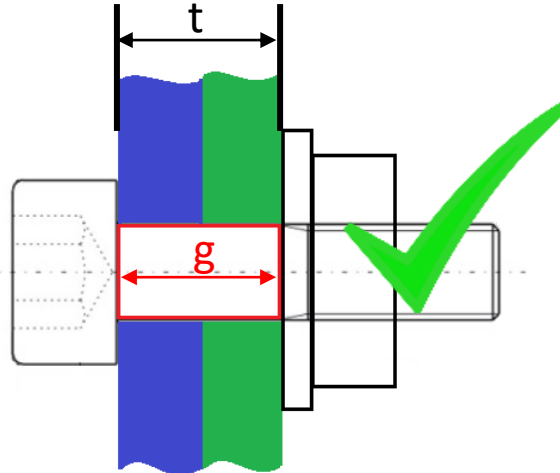
Fuselage

General instructions:

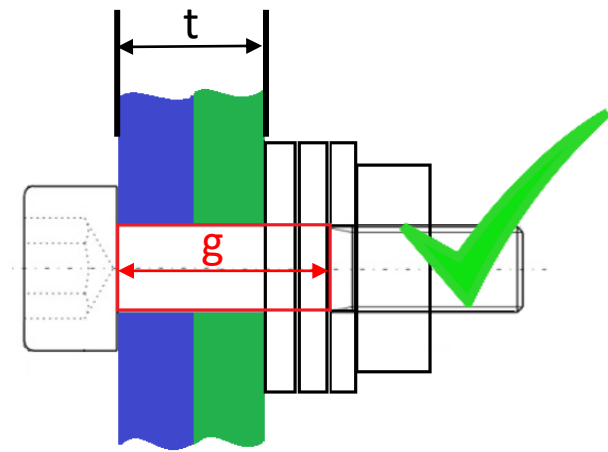
- If you will need to buy some extra bolts, **always get 8.8 grade**.
- It is the responsibility of each assembler, to check the grip length of the bolt and ensure, that the grip length (g) matches, or exceeds the thickness (t) of connected parts.
- Cut bolts 1-3 threads behind the nut.



$g < t$

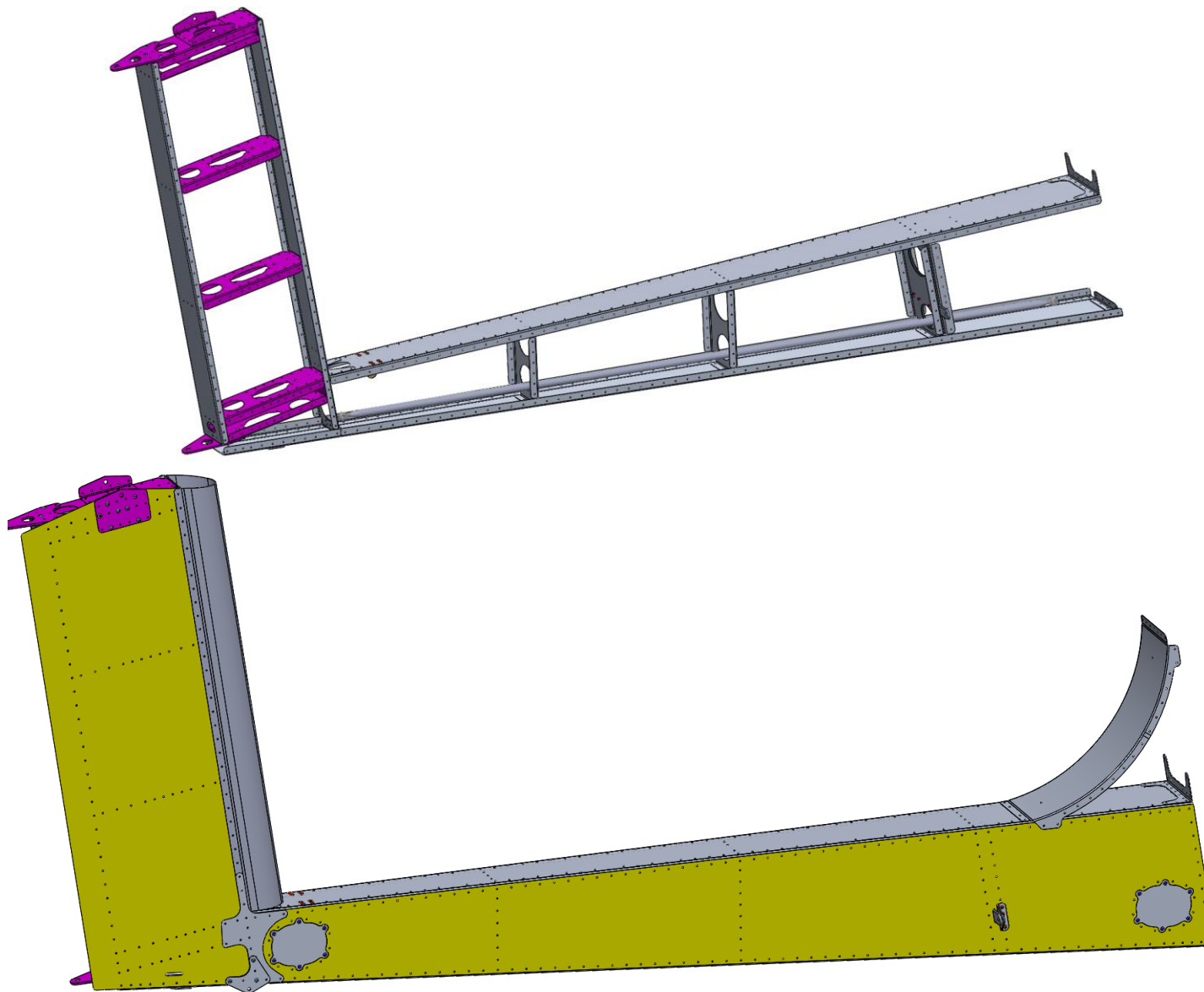


$g = t$



$g > t$

Title	Document no.	Revision	Page	Pages
Fuselage assembly manual	D2_F0_00	Rev. 05	6	406

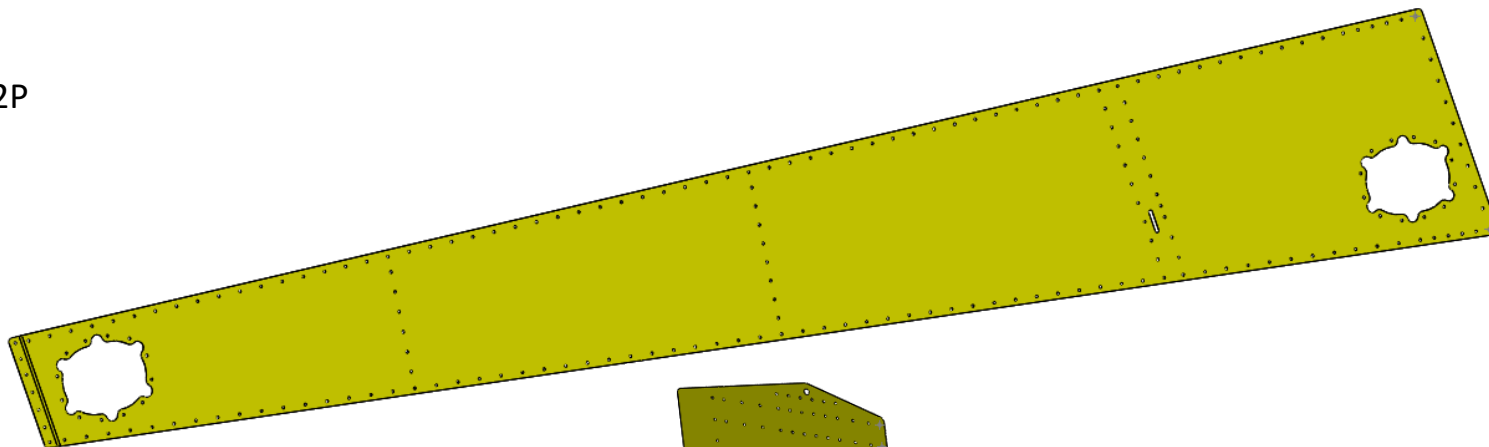


Title	Document no.	Revision	Page	Pages
Fuselage assembly manual	D2_F0_00	Rev. 05	7	406



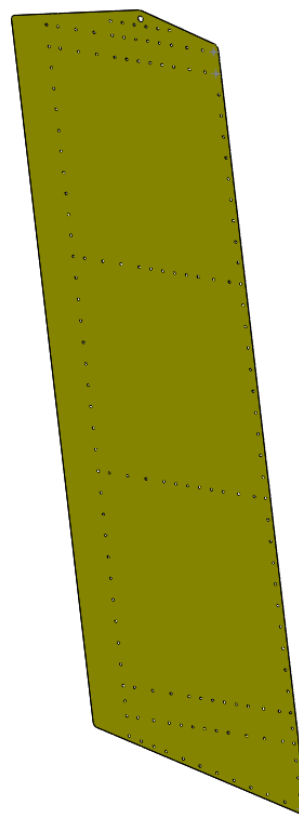
Detail: D2_F1_02P

Quantity: 1



Detail: D2_F1_05N

Quantity: 1



Title	Document no.	Revision	Page	Pages
Fuselage assembly manual	D2_F0_00	Rev. 05	8	406

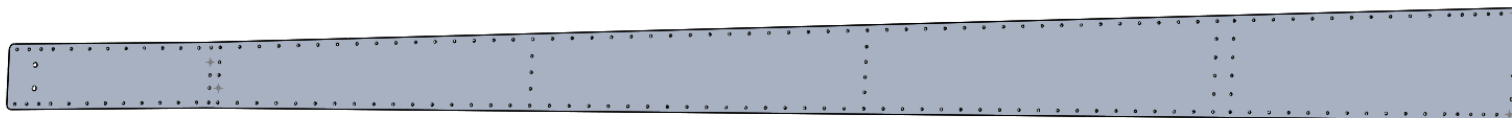


Detail: D2_F1_06N

Quantity: 1

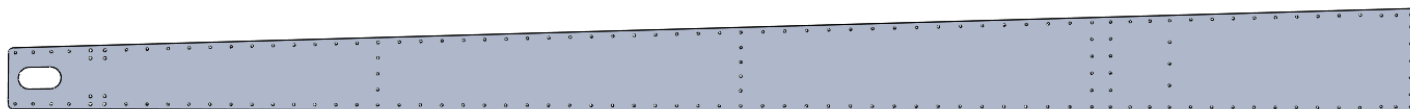
Detail: D2_F1_08N

Quantity: 1



Detail: D2_F1_09N

Quantity: 1

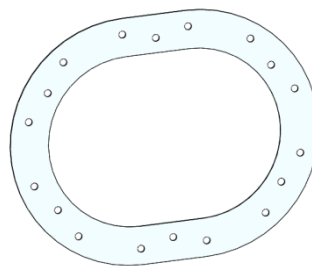


Title	Document no.	Revision	Page	Pages
Fuselage assembly manual	D2_F0_00	Rev. 05	9	406



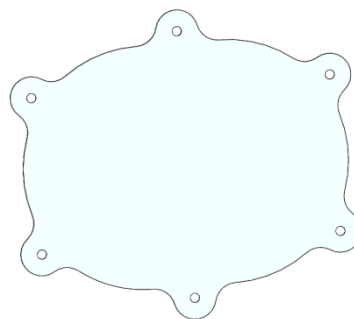
Detail: D2_F1_14N

Quantity: 2



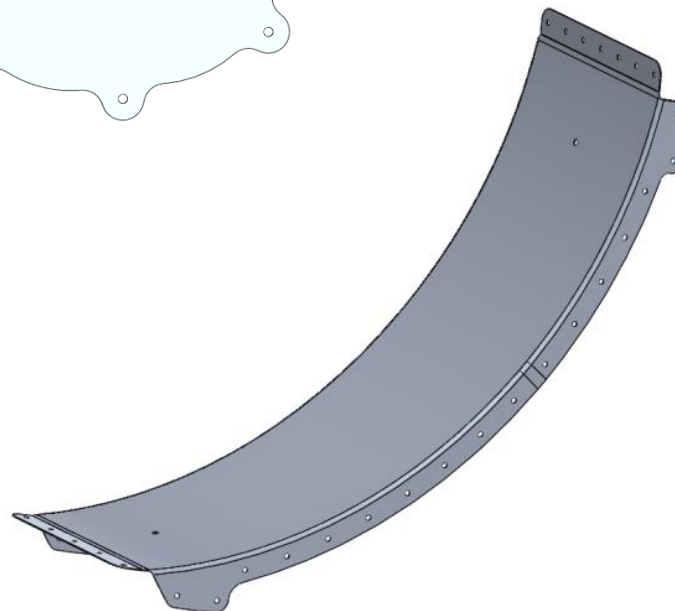
Detail: D2_F1_15N

Quantity: 2



Detail: D2_F1_18N

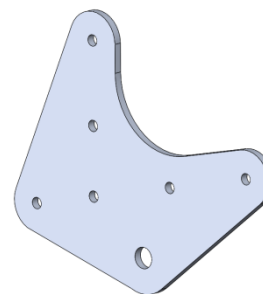
Quantity: 1



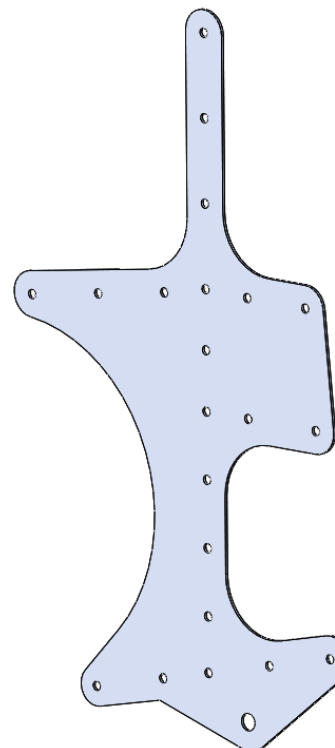
Title	Document no.	Revision	Page	Pages
Fuselage assembly manual	D2_F0_00	Rev. 05	10	406



Detail: D2_F1_26N
Quantity: 1



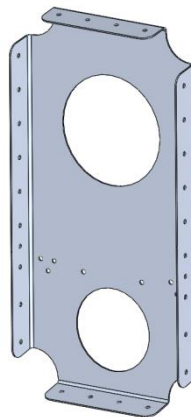
Detail: D2_F1_27N
Quantity: 1



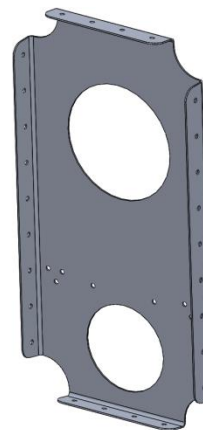
Title	Document no.	Revision	Page	Pages
Fuselage assembly manual	D2_F0_00	Rev. 05	11	406



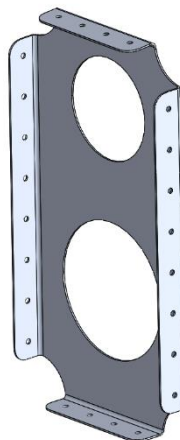
Detail: D2_F2_07N
Quantity: 1



Detail: D2_F2_08N
Quantity: 1



Detail: D2_F2_09N
Quantity: 1

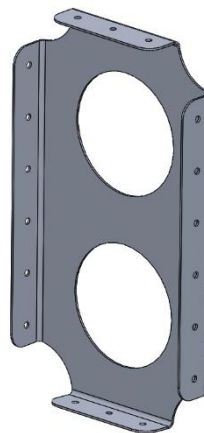


Title	Document no.	Revision	Page	Pages
Fuselage assembly manual	D2_F0_00	Rev. 05	12	406



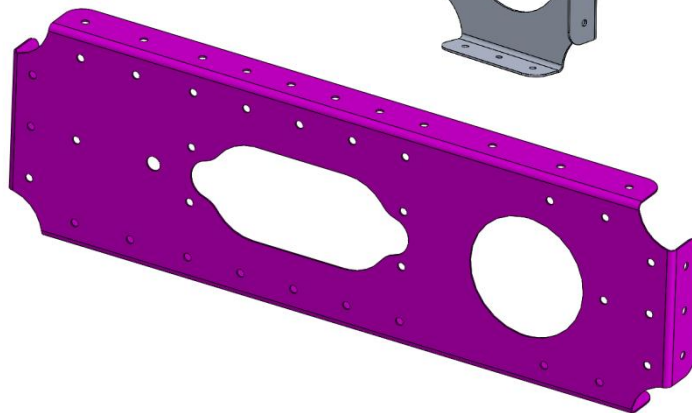
Detail: D2_F2_10N

Quantity: 1



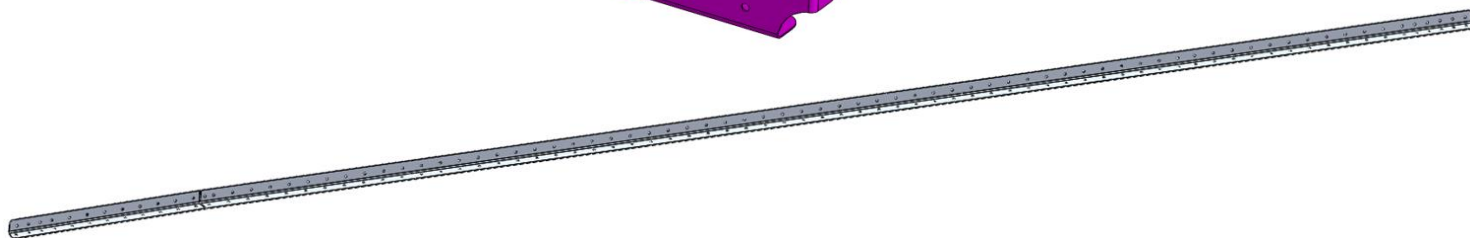
Detail:D2_F2_11N

Quantity: 6



Detail: D2_F3_03P

Quantity: 1



Detail: D2_F3_03L

Quantity: 1

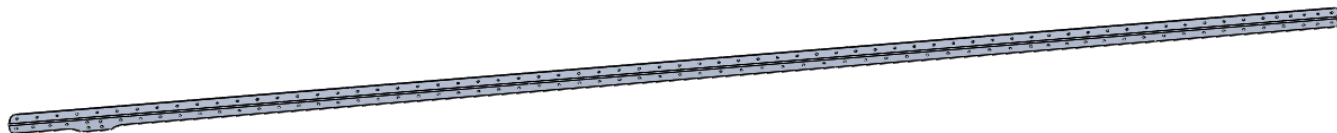


Title	Document no.	Revision	Page	Pages
Fuselage assembly manual	D2_F0_00	Rev. 05	13	406



Detail: D2_F3_04P

Quantity: 1



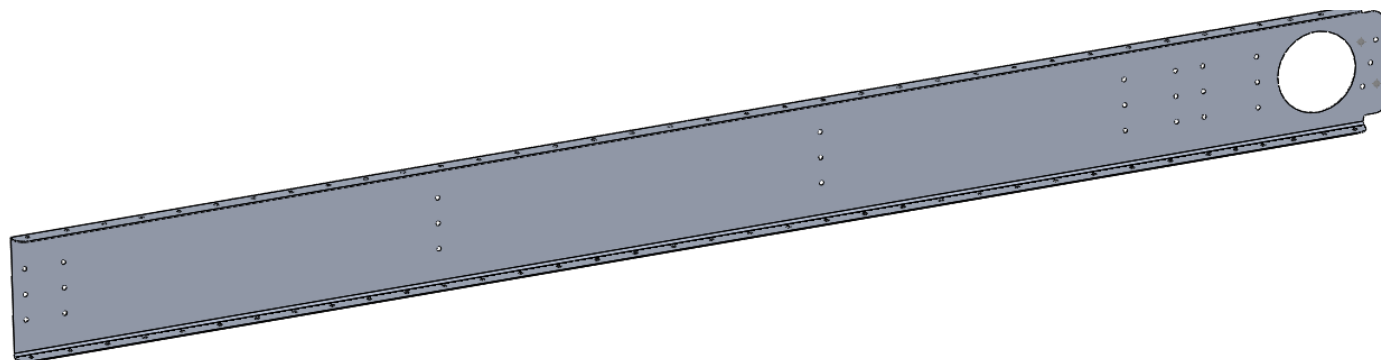
Detail:D2_F3_04L

Quantity: 1



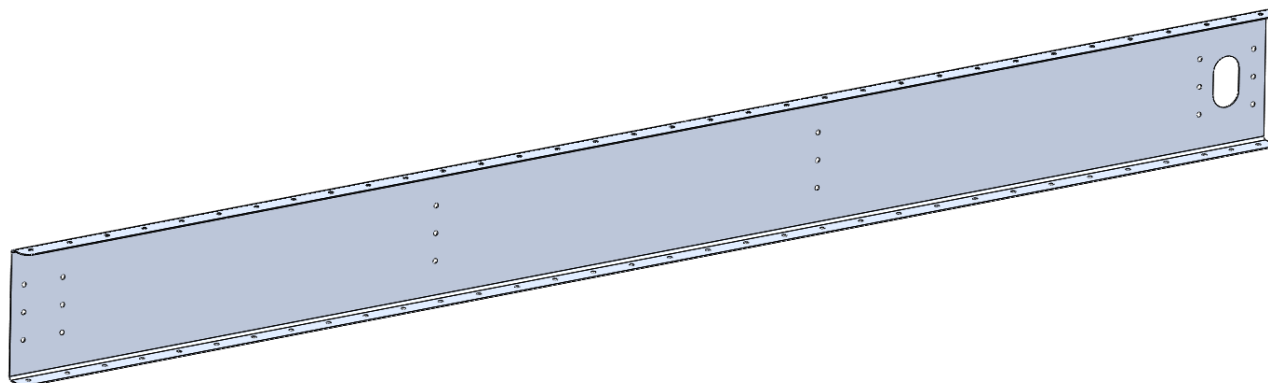
Detail: D2_F3_07N

Quantity: 1



Detail:D2_F3_08N

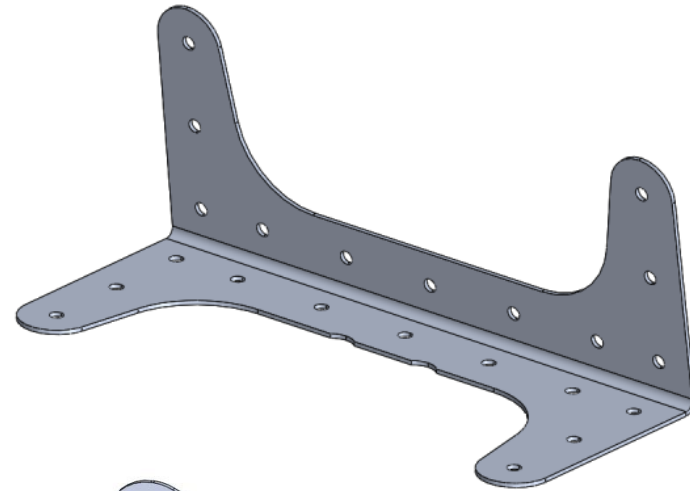
Quantity: 2



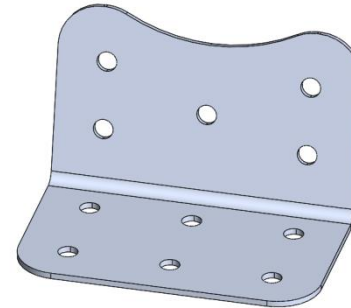
Title	Document no.	Revision	Page	Pages
Fuselage assembly manual	D2_F0_00	Rev. 05	14	406



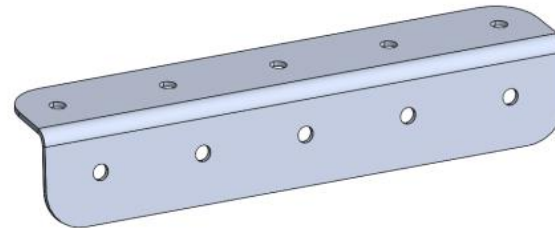
Detail: D2_F3_14N
Quantity: 1



Detail: D2_F3_15N
Quantity: 1



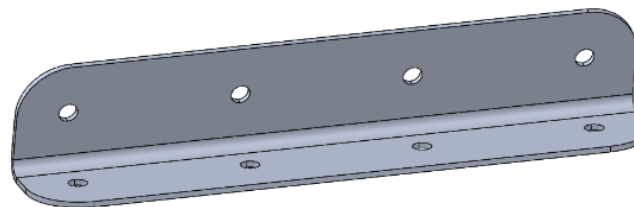
Detail: D2_F3_21N
Quantity: 1



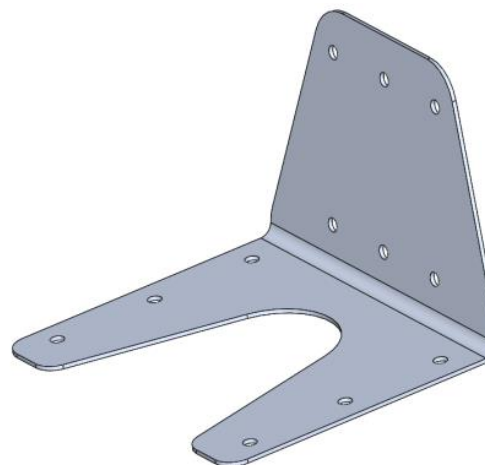
Title	Document no.	Revision	Page	Pages
Fuselage assembly manual	D2_F0_00	Rev. 05	15	406



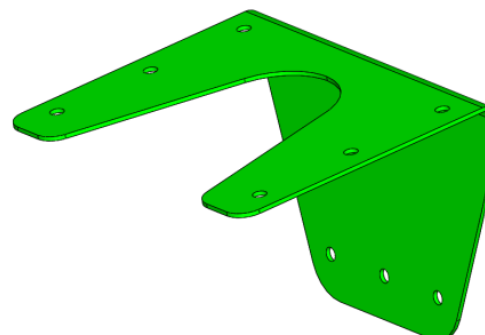
Detail: D2_F3_23N
Quantity: 1



Detail: D2_F3_24N
Quantity: 1



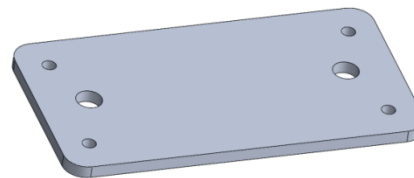
Detail: D2_F3_27N
Quantity: 1



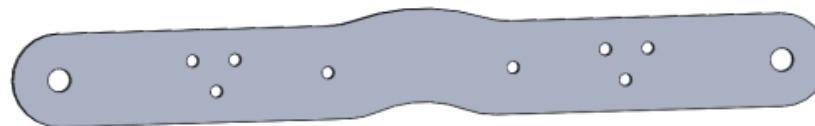
Title	Document no.	Revision	Page	Pages
Fuselage assembly manual	D2_F0_00	Rev. 05	16	406



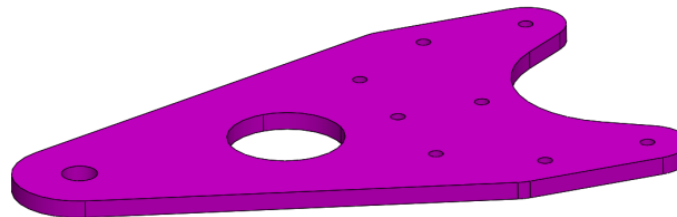
Detail: D2_F1_24N
Quantity: 1



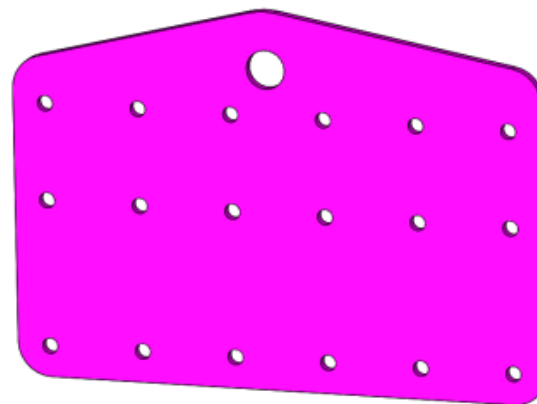
Detail: D2_F4_06N
Quantity: 2



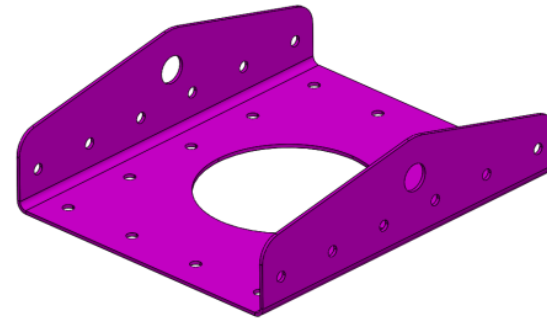
Detail: D2_F4_07N
Quantity: 2



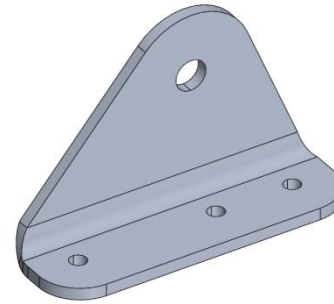
Detail: D2_F4_08N
Quantity: 1



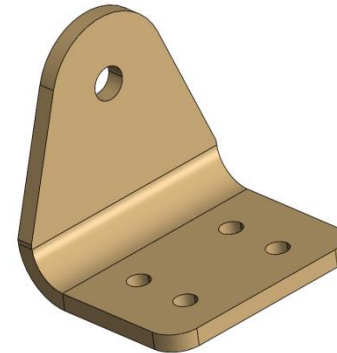
Title	Document no.	Revision	Page	Pages
Fuselage assembly manual	D2_F0_00	Rev. 05	17	406



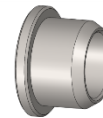
Detail: D2_F4_09N
Quantity: 1



Detail: D2_F4_20P
Quantity: 1



Detail: D2_F4_24N
Quantity: 2



Detail: D2_SP_01 Bushing 8x1
Quantity: 2

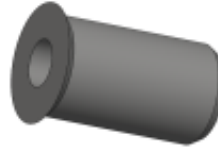
Title	Document no.	Revision	Page	Pages
Fuselage assembly manual	D2_F0_00	Rev. 05	18	406



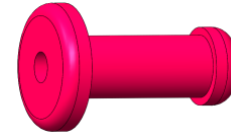
Detail: BOLT DIN 967 M3x6
Quantity: 12



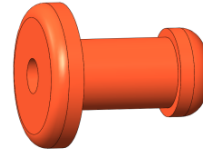
Detail: Riv Nut M3 cs
Quantity: 12



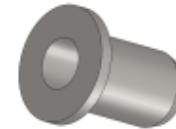
Detail: Rivet Al 4 x 12.7
Quantity: 4



Detail: Rivet Al 4 x 9.5
Quantity: 11



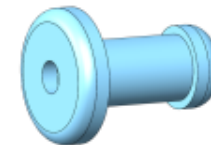
Detail: RivNut M4 A2-304
Quantity: 1



Detail: Rivet INOX 4 x10
Quantity: 2



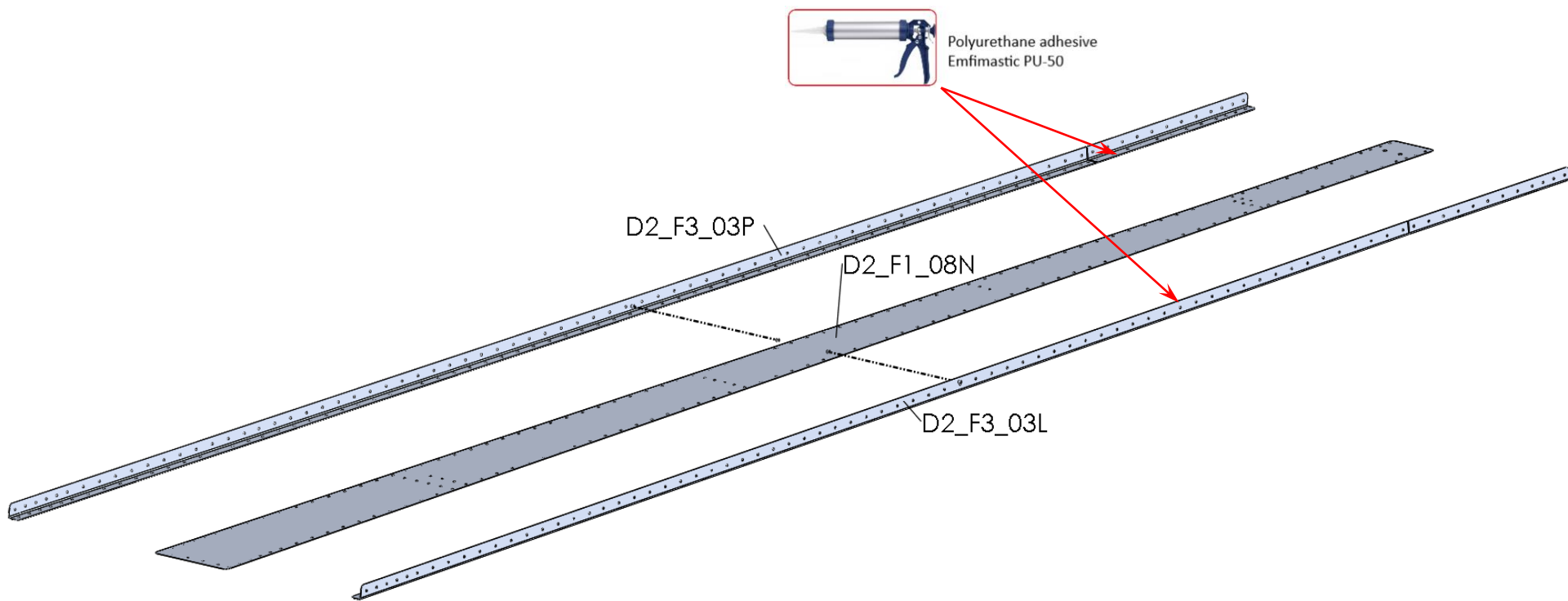
Detail: Rivet INOX 4 x12
Quantity: 19



Title	Document no.	Revision	Page	Pages
Fuselage assembly manual	D2_F0_00	Rev. 05	19	406



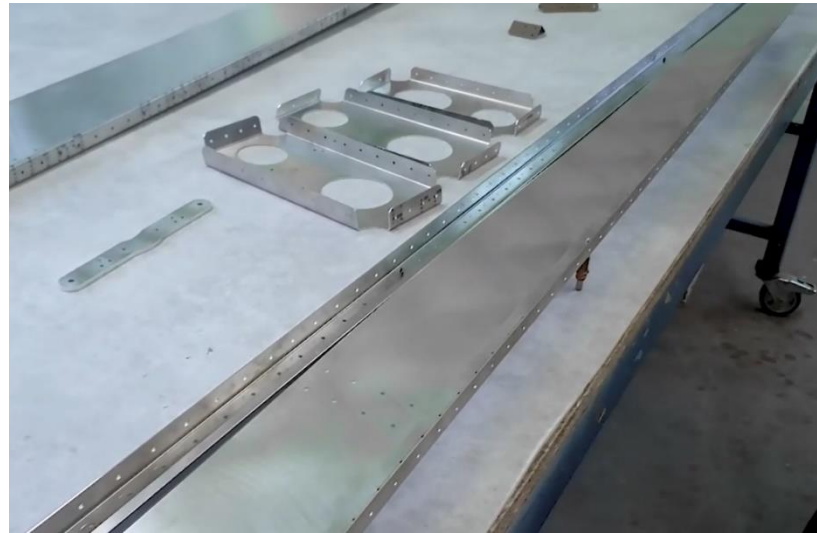
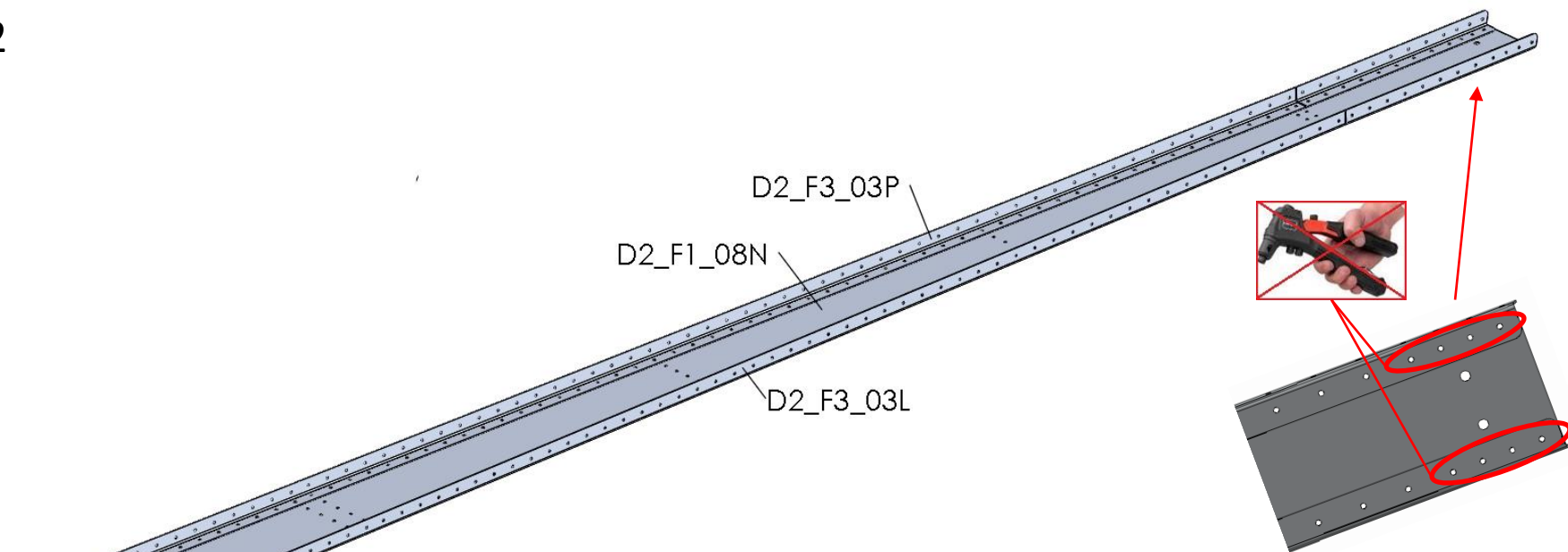
Step 1



Title	Document no.	Revision	Page	Pages
Fuselage assembly manual	D2_F0_00	Rev. 05	20	406



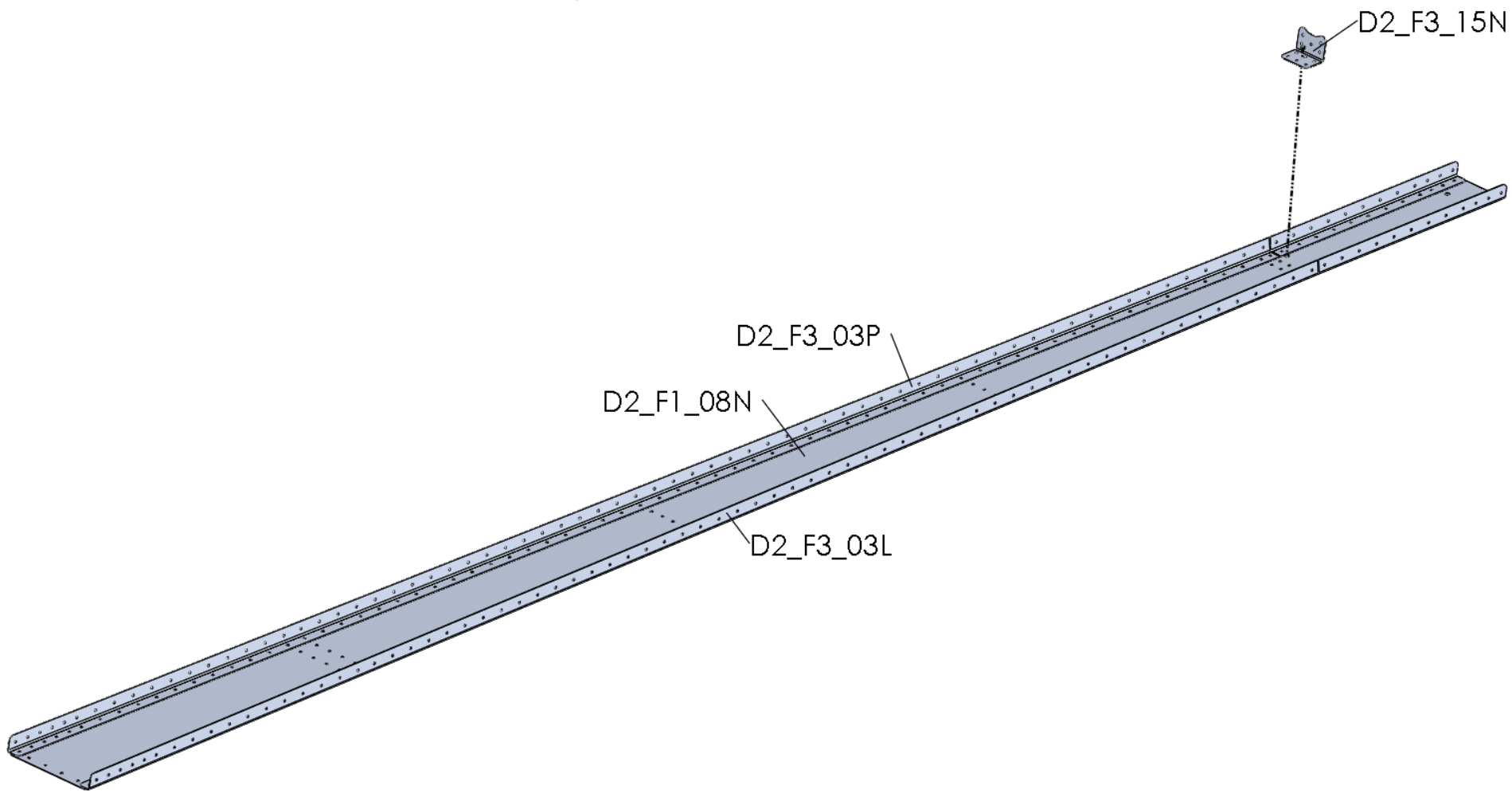
Step 2



Title	Document no.	Revision	Page	Pages
Fuselage assembly manual	D2_F0_00	Rev. 05	21	406



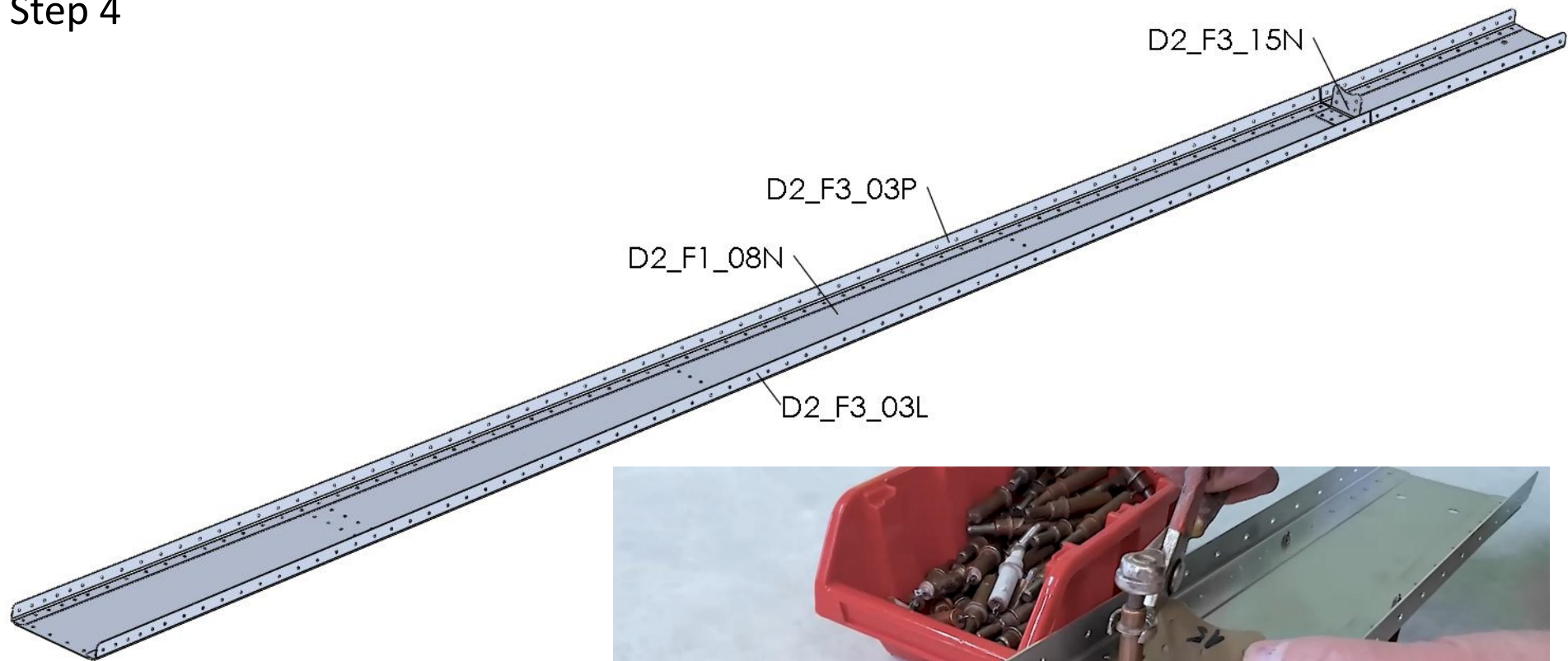
Step 3



Title	Document no.	Revision	Page	Pages
Fuselage assembly manual	D2_F0_00	Rev. 05	22	406



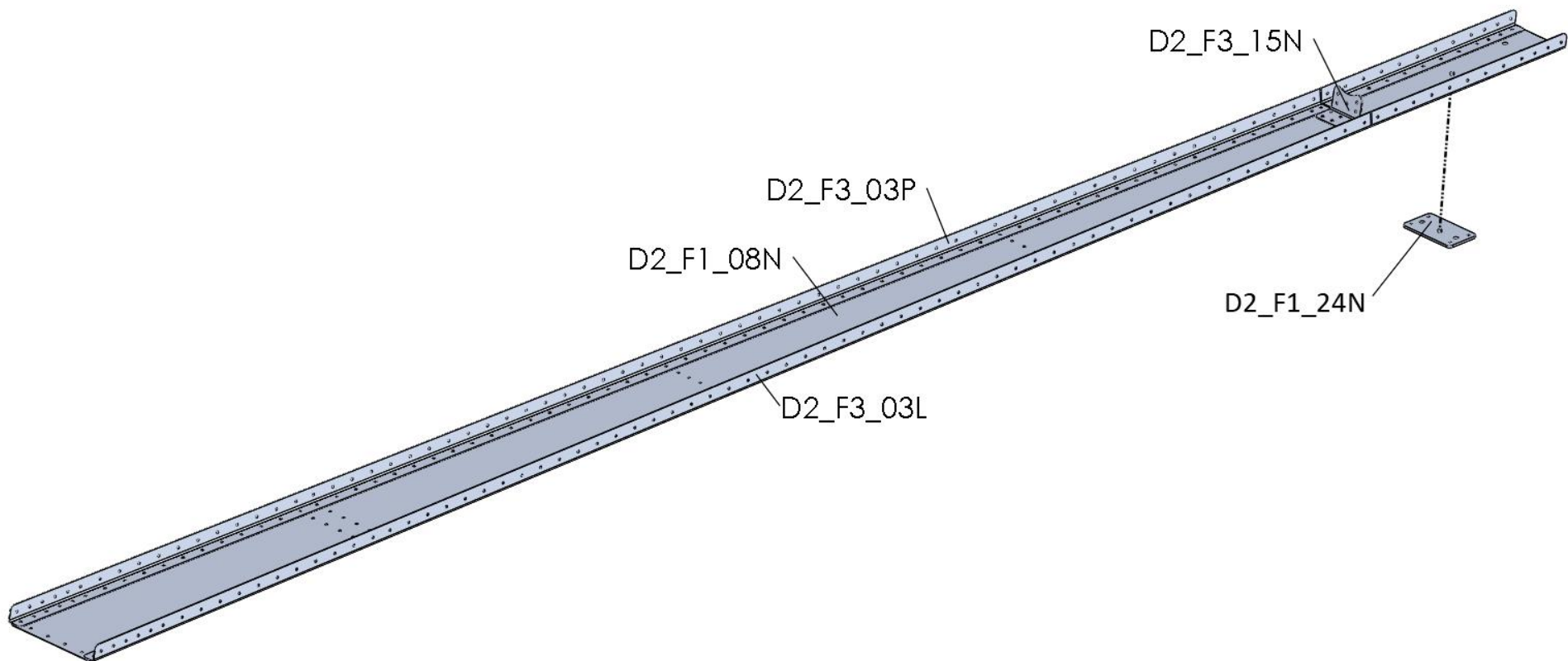
Step 4



Title	Document no.	Revision	Page	Pages
Fuselage assembly manual	D2_F0_00	Rev. 05	23	406



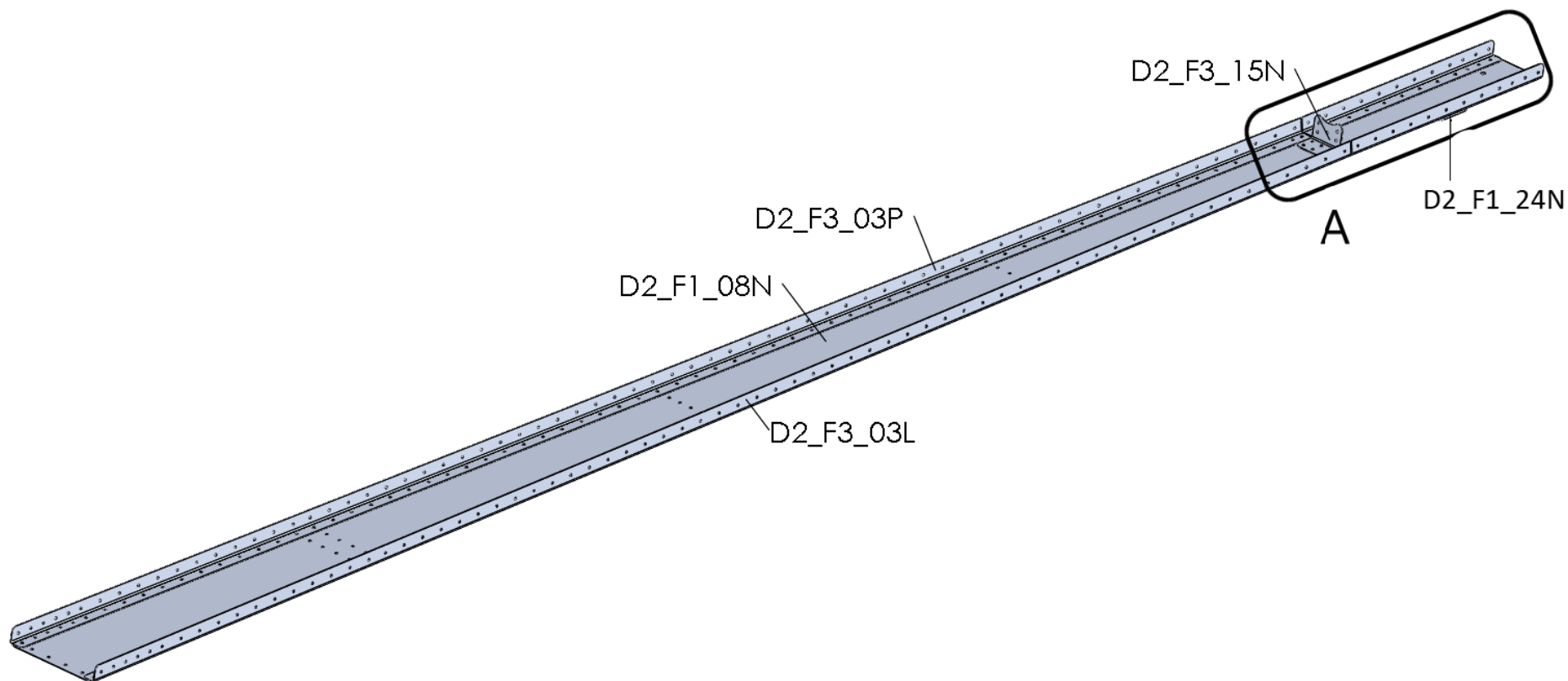
Step 5



Title	Document no.	Revision	Page	Pages
Fuselage assembly manual	D2_F0_00	Rev. 05	24	406



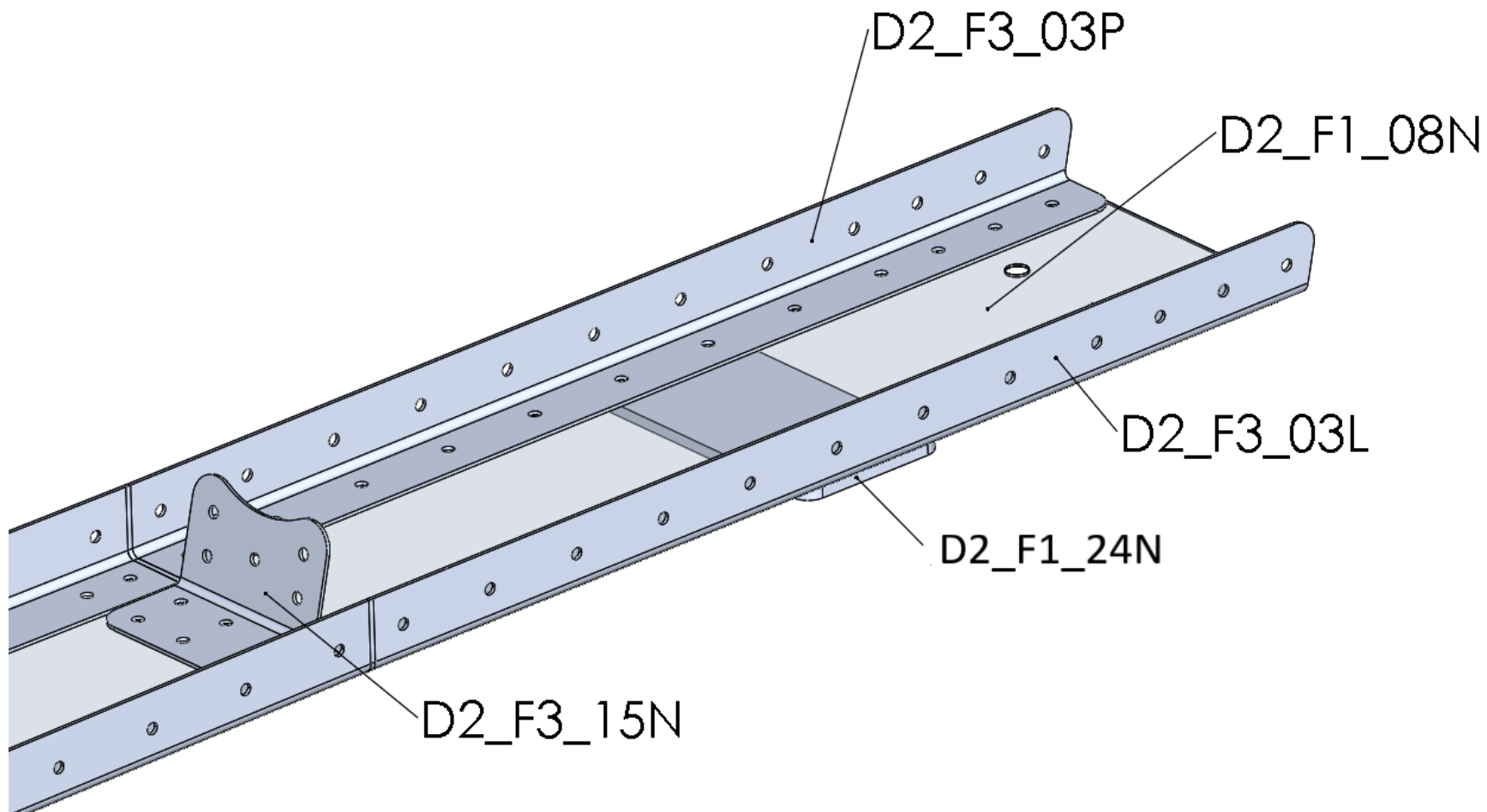
Step 6



Title	Document no.	Revision	Page	Pages
Fuselage assembly manual	D2_F0_00	Rev. 05	25	406



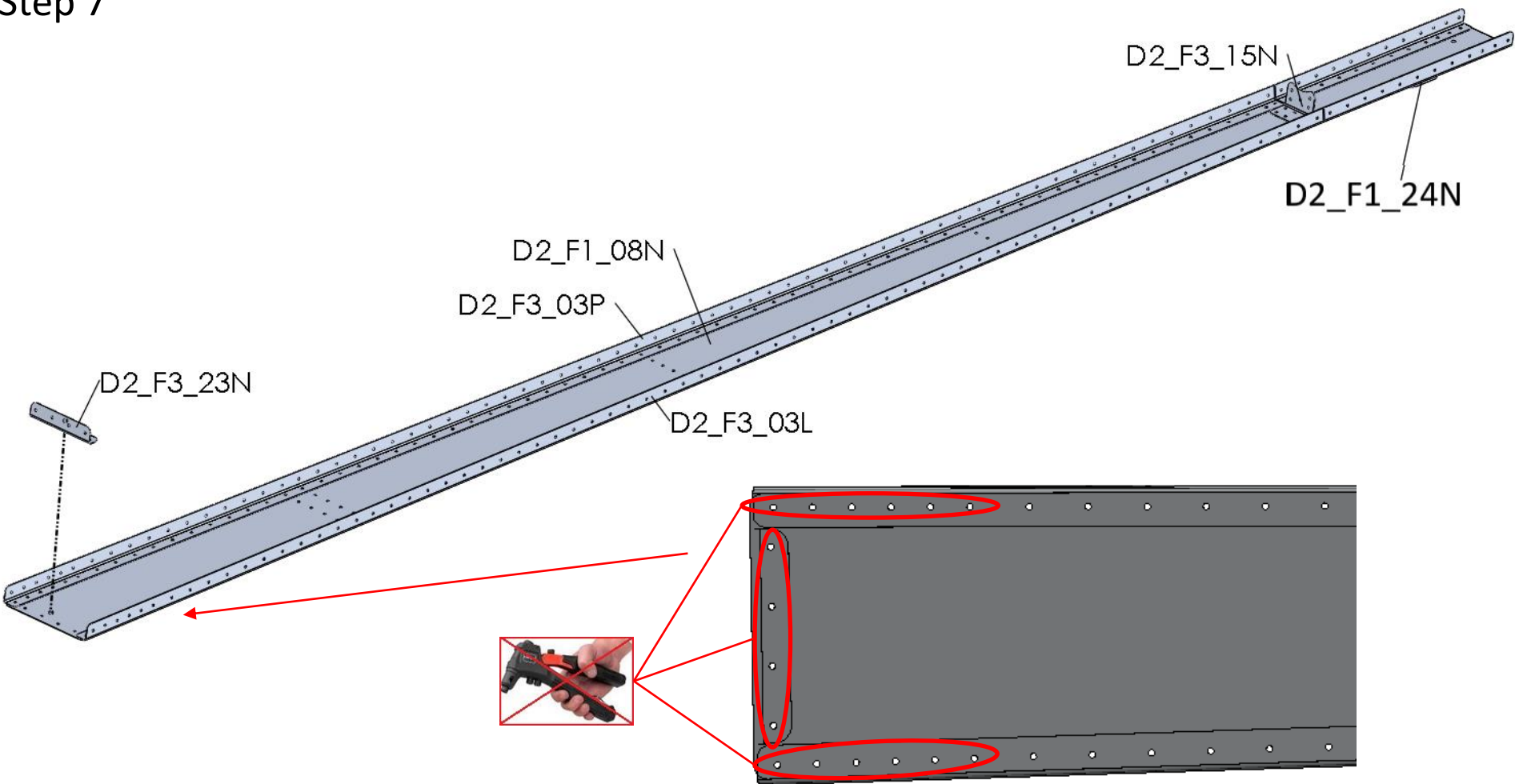
Step 6-A



Title	Document no.	Revision	Page	Pages
Fuselage assembly manual	D2_F0_00	Rev. 05	26	406



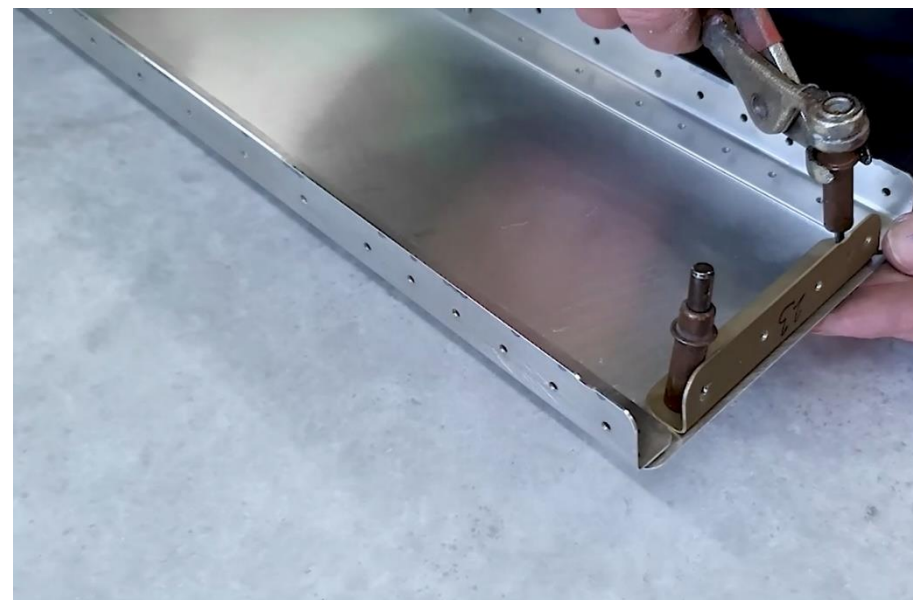
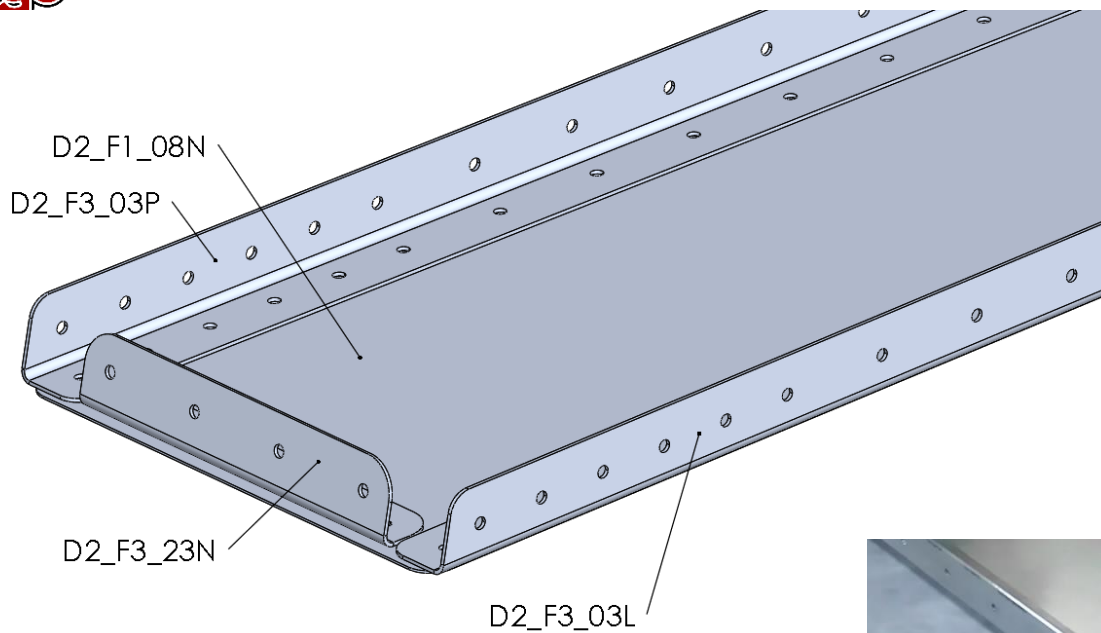
Step 7



Title	Document no.	Revision	Page	Pages
Fuselage assembly manual	D2_F0_00	Rev. 05	27	406



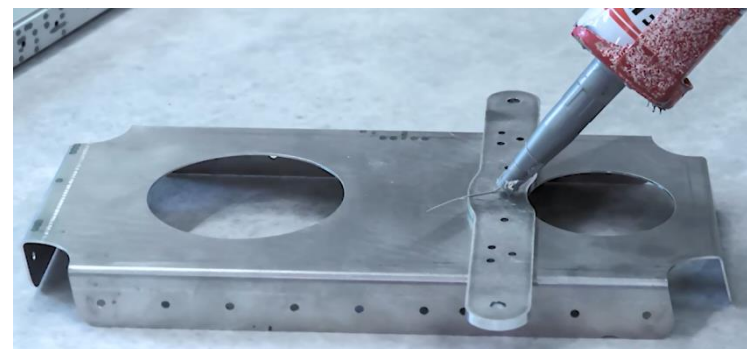
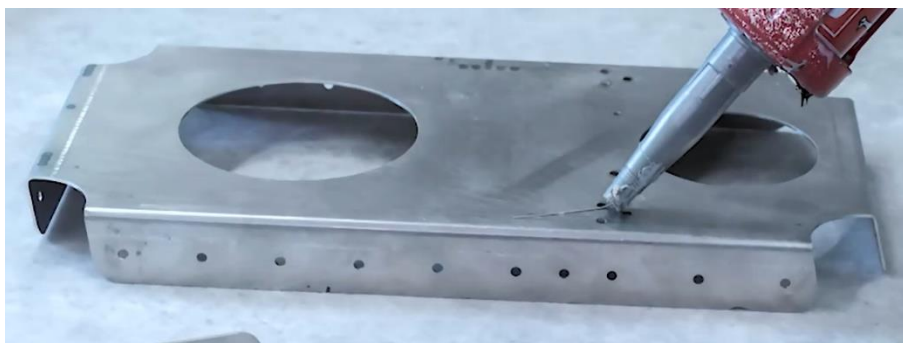
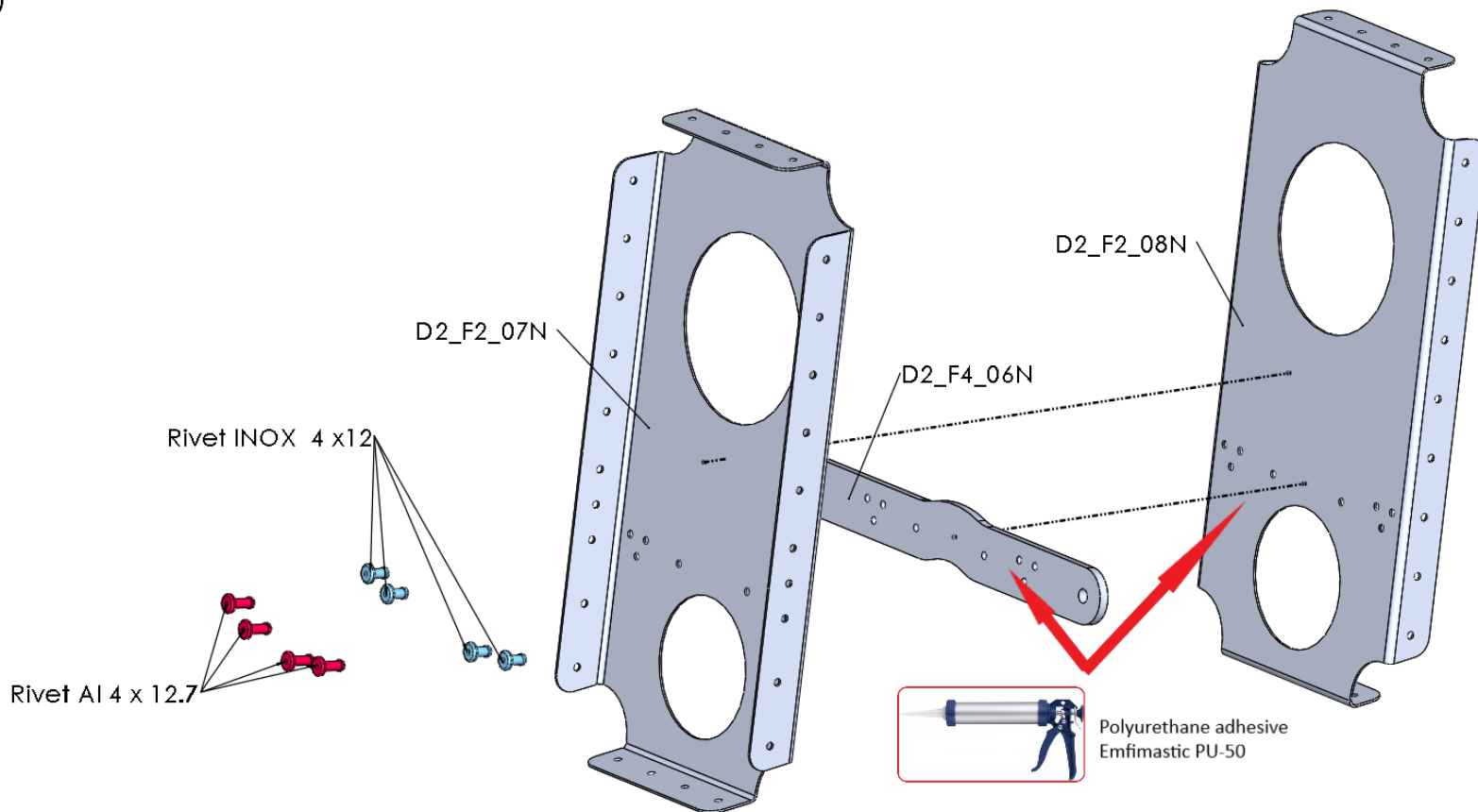
Step 8



Title	Document no.	Revision	Page	Pages
Fuselage assembly manual	D2_F0_00	Rev. 05	28	406



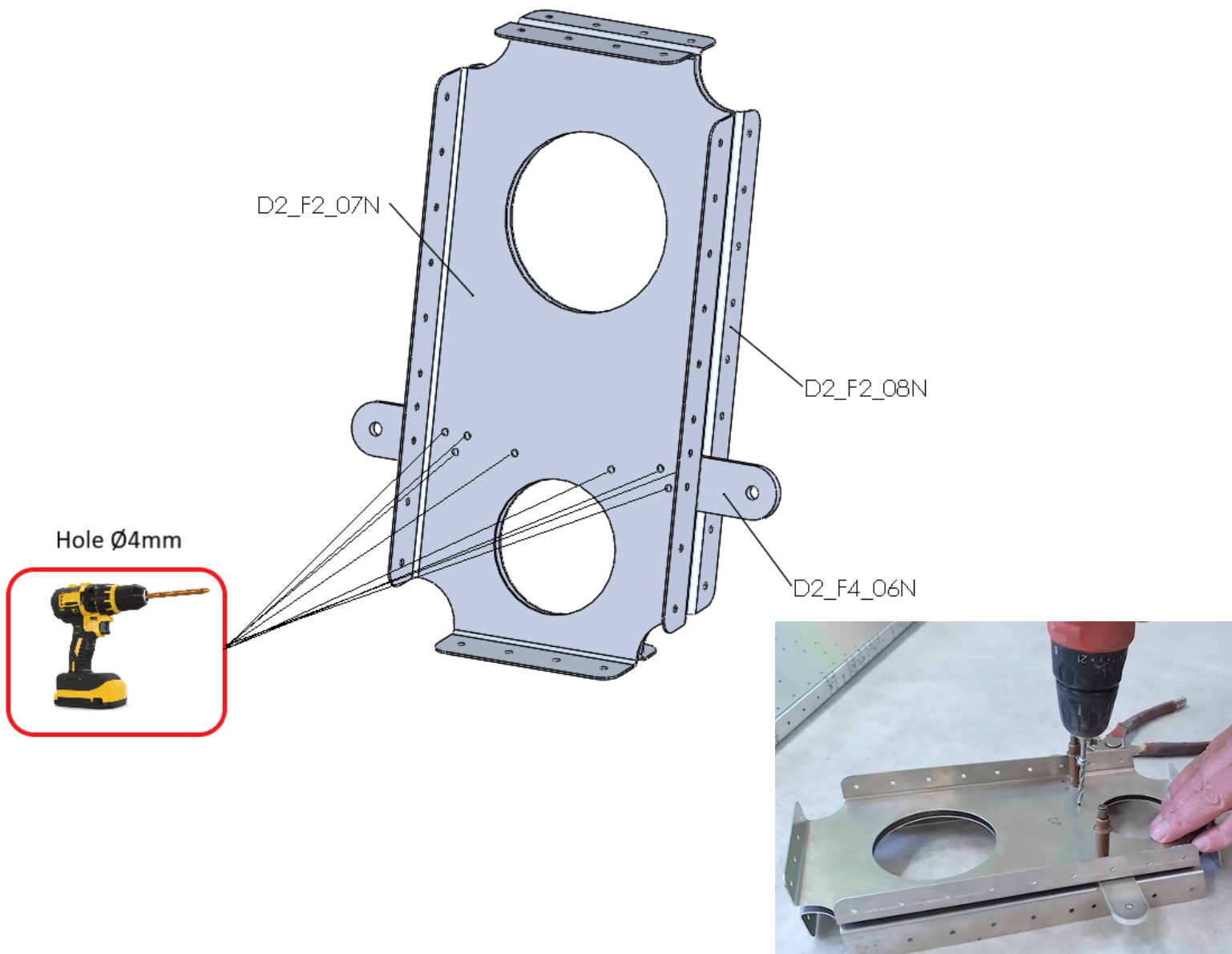
Step 9



Title	Document no.	Revision	Page	Pages
Fuselage assembly manual	D2_F0_00	Rev. 05	29	406



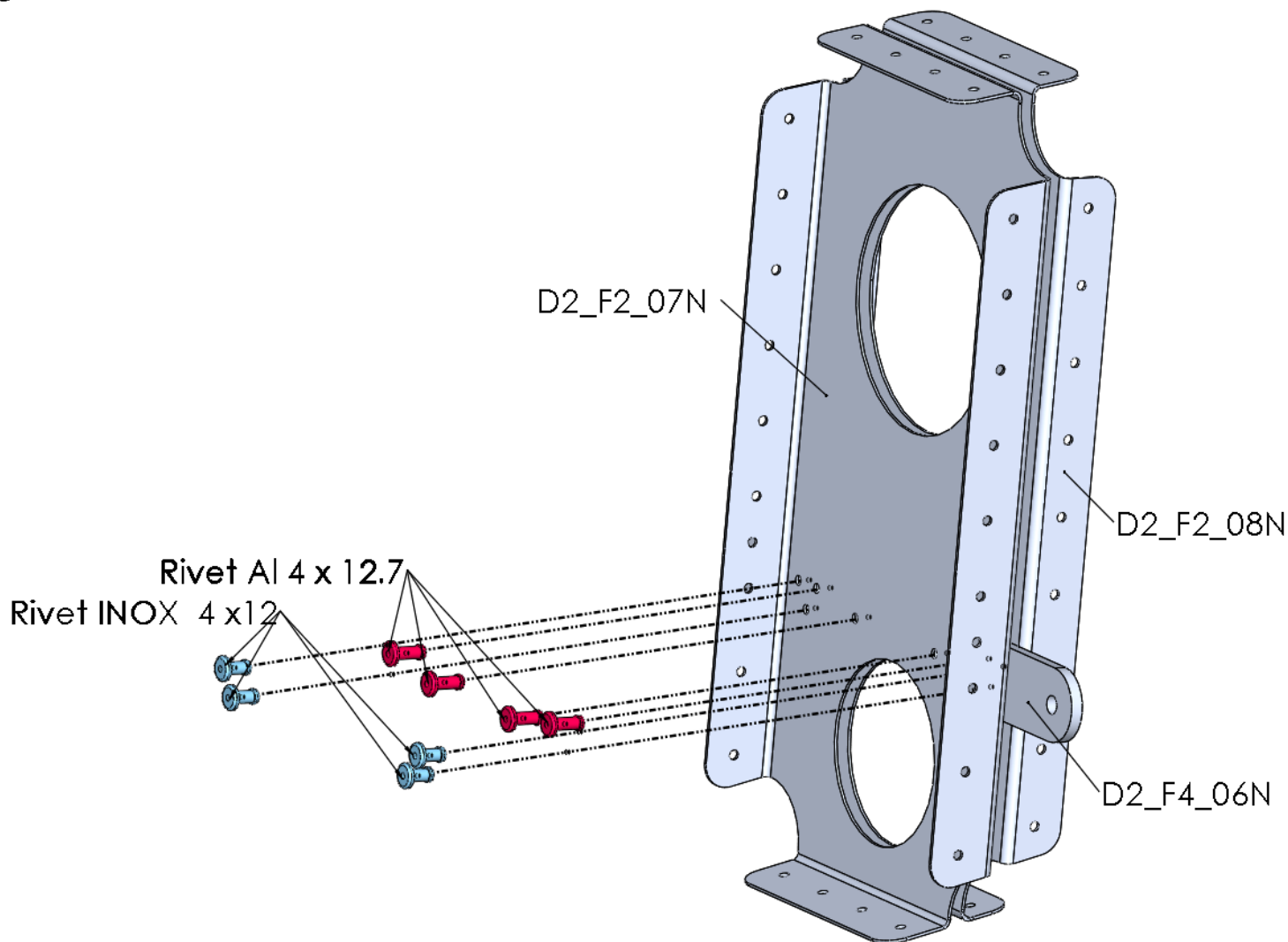
Step 10



Title	Document no.	Revision	Page	Pages
Fuselage assembly manual	D2_F0_00	Rev. 05	30	406



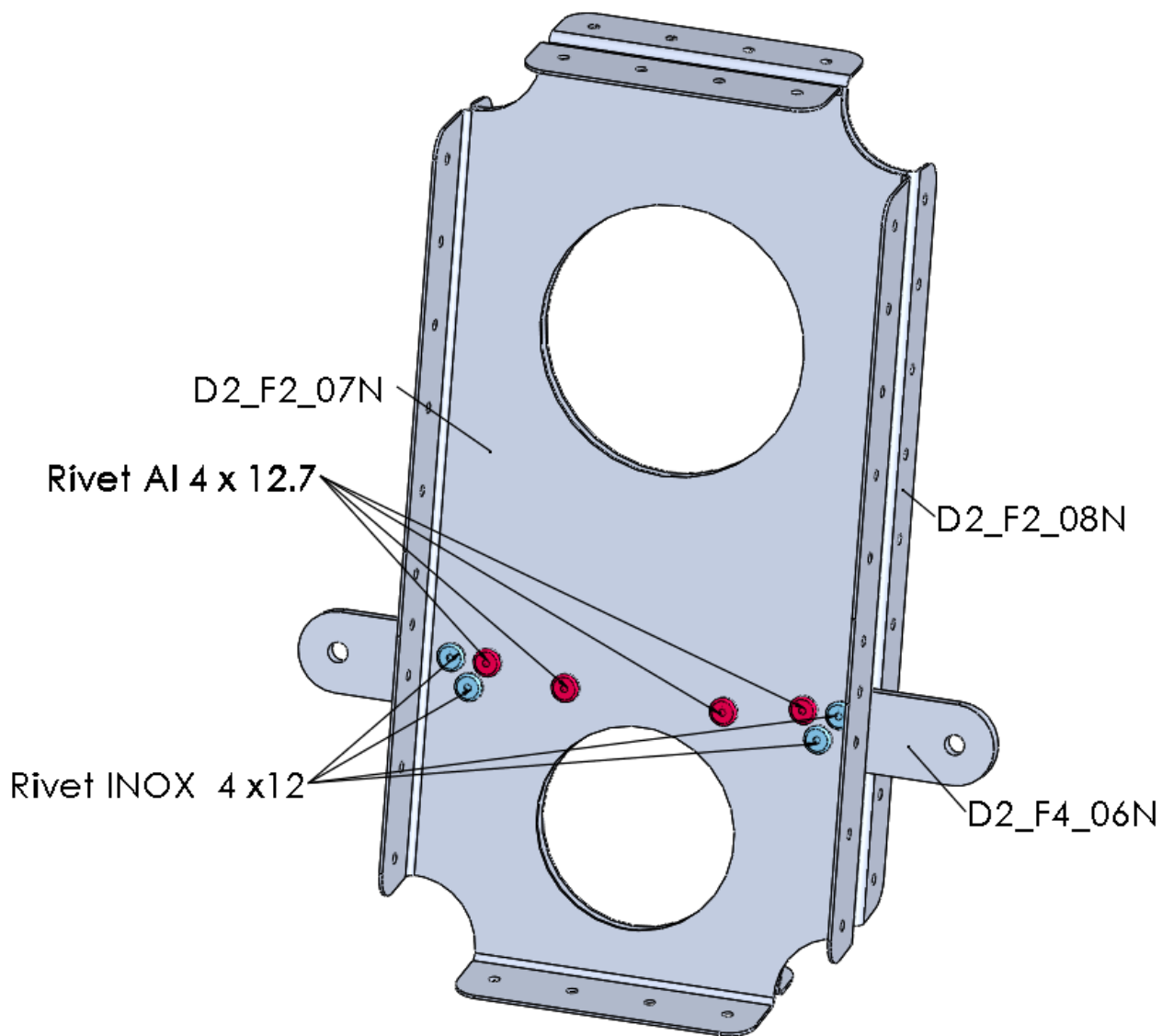
Step 11



Title	Document no.	Revision	Page	Pages
Fuselage assembly manual	D2_F0_00	Rev. 05	31	406



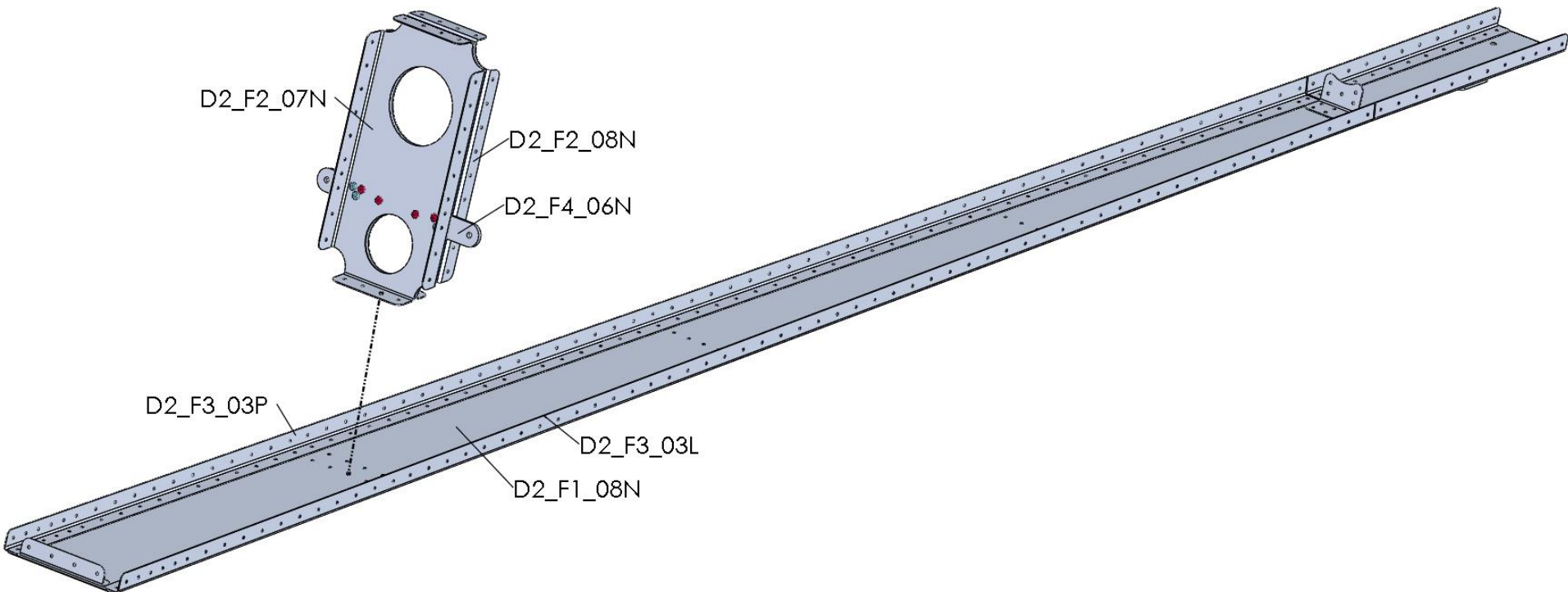
Step 12



Title	Document no.	Revision	Page	Pages
Fuselage assembly manual	D2_F0_00	Rev. 05	32	406



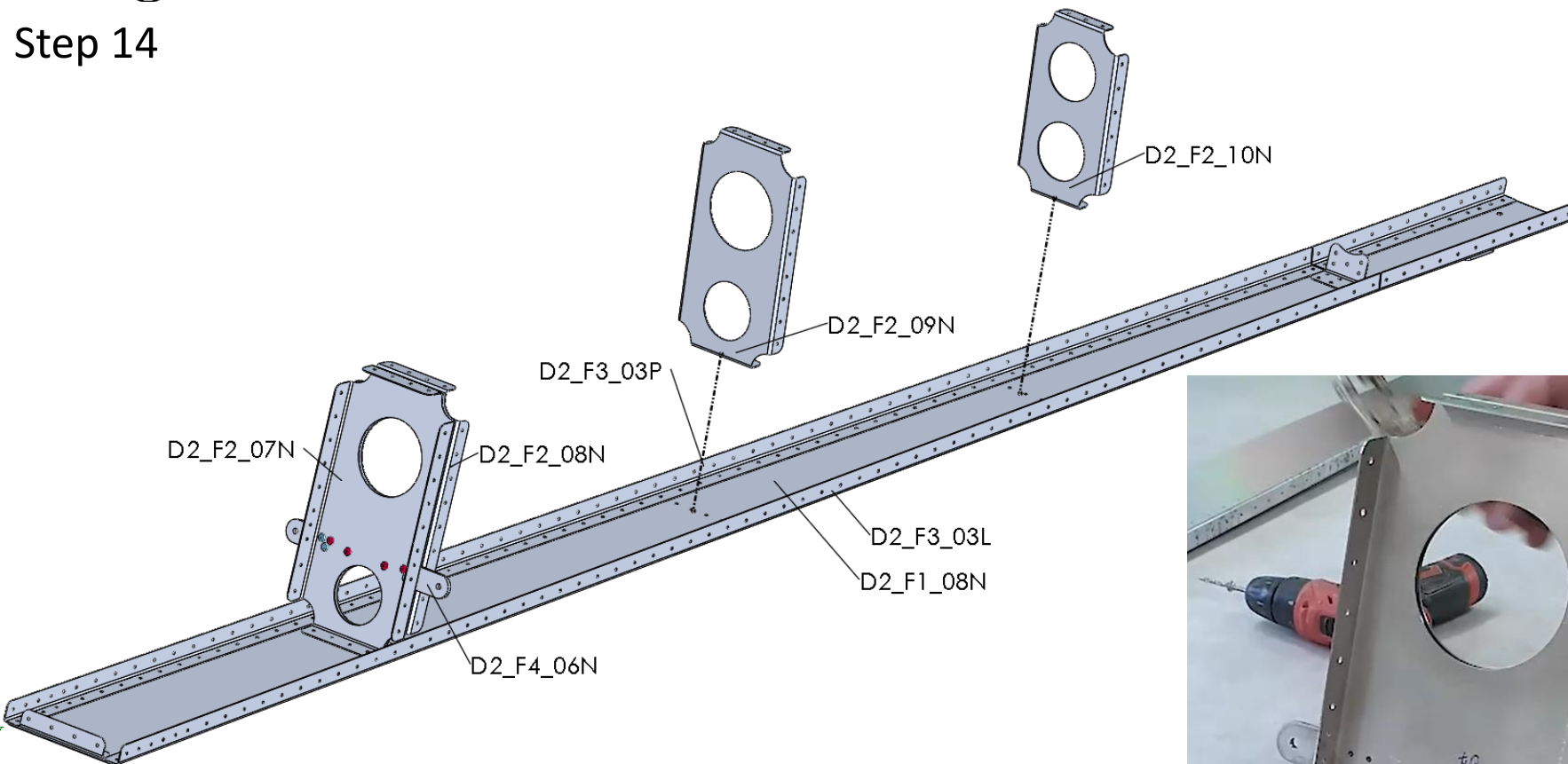
Step 13



Title	Document no.	Revision	Page	Pages
Fuselage assembly manual	D2_F0_00	Rev. 05	33	406



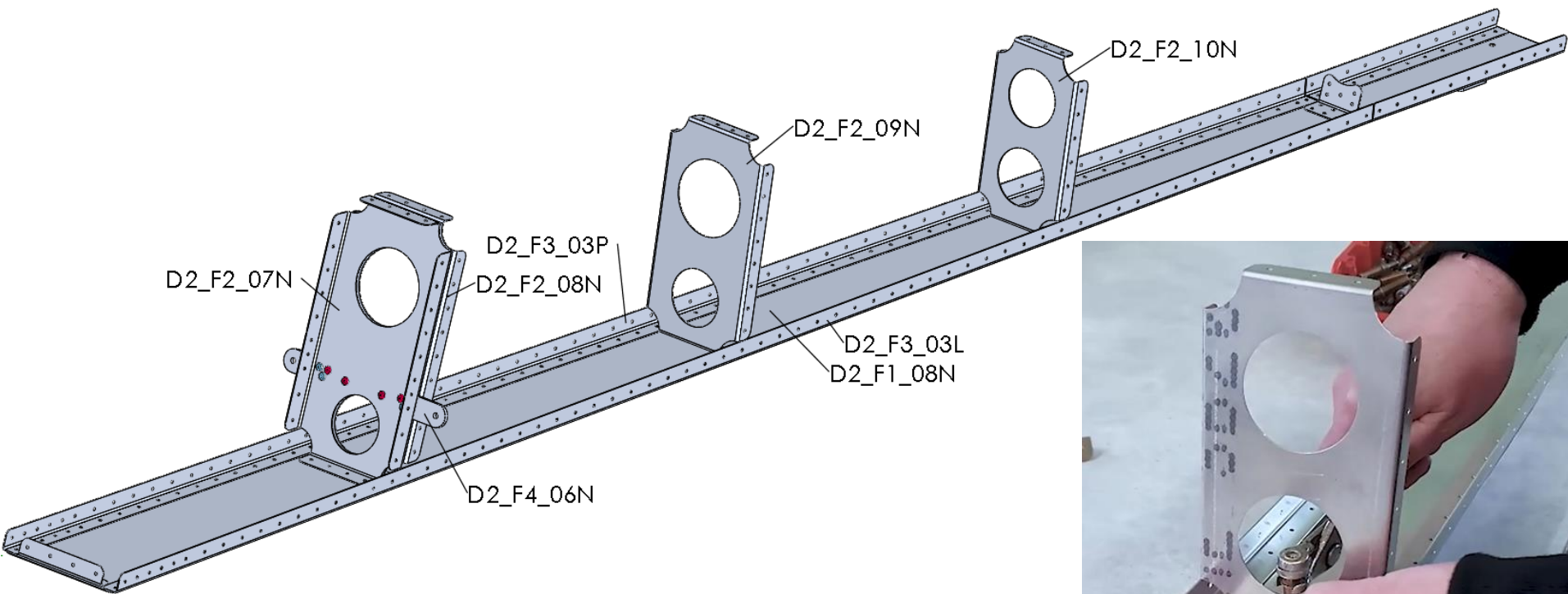
Step 14



Title	Document no.	Revision	Page	Pages
Fuselage assembly manual	D2_F0_00	Rev. 05	34	406



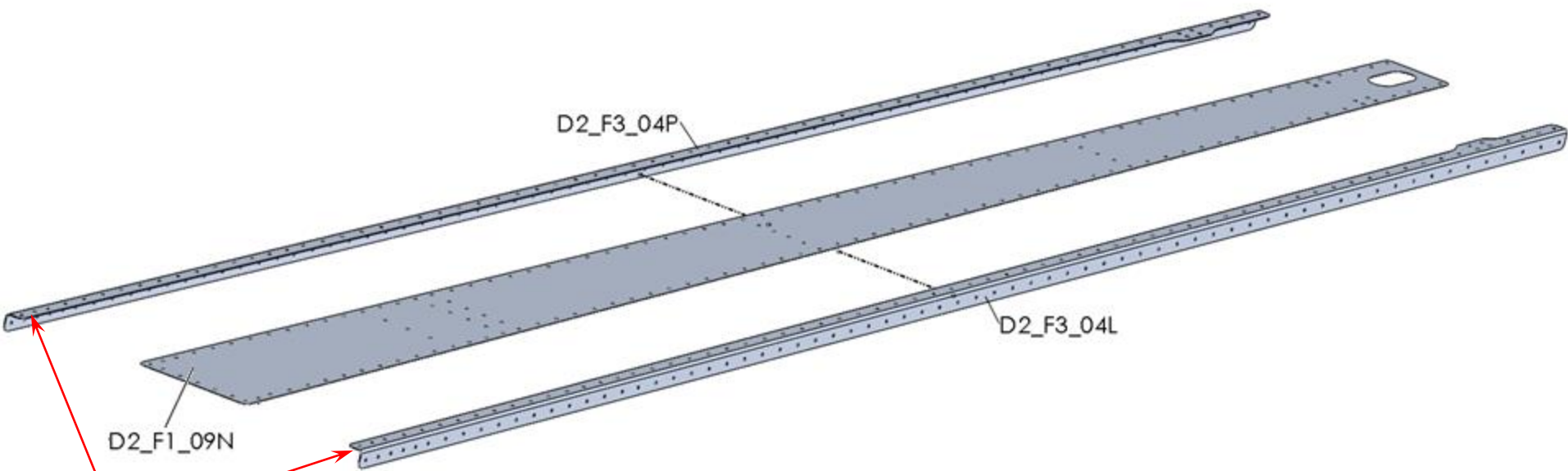
Step 15



Title	Document no.	Revision	Page	Pages
Fuselage assembly manual	D2_F0_00	Rev. 05	35	406



Step 16

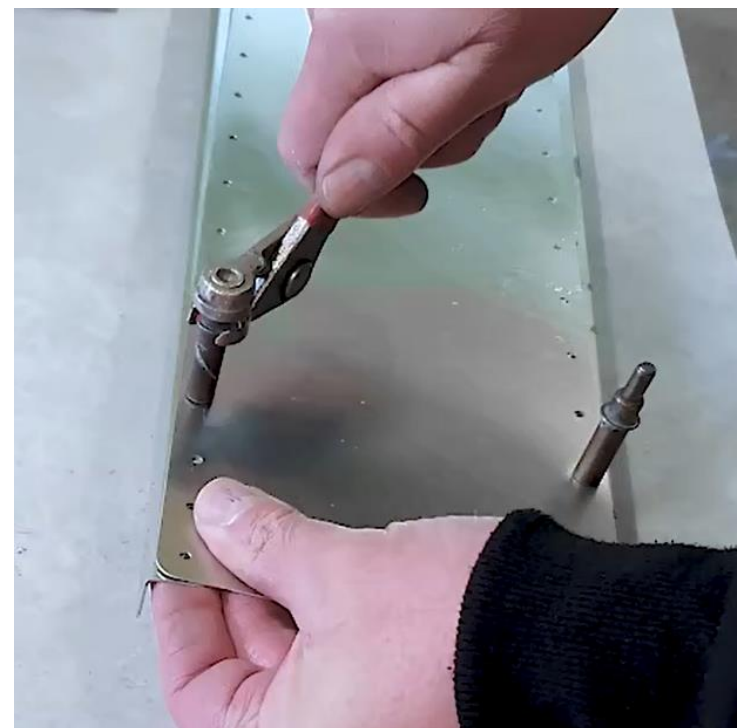
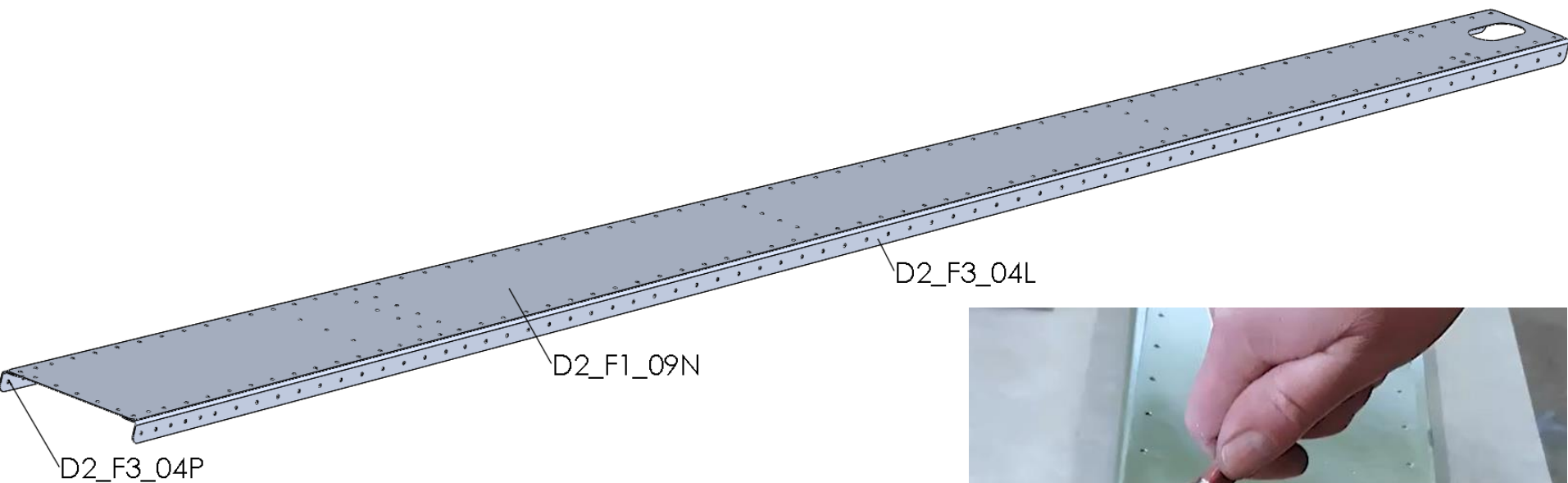


Polyurethane adhesive
Emfimastic PU-50

Title	Document no.	Revision	Page	Pages
Fuselage assembly manual	D2_F0_00	Rev. 05	36	406



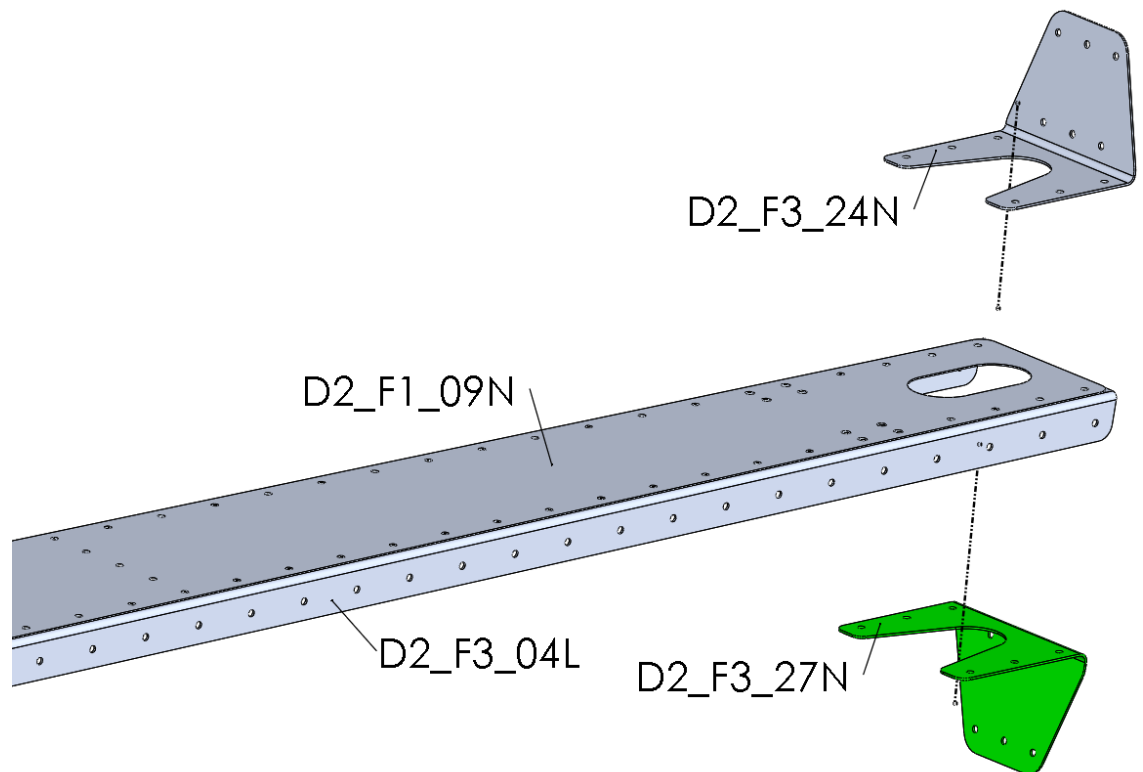
Step 17



Title	Document no.	Revision	Page	Pages
Fuselage assembly manual	D2_F0_00	Rev. 05	37	406



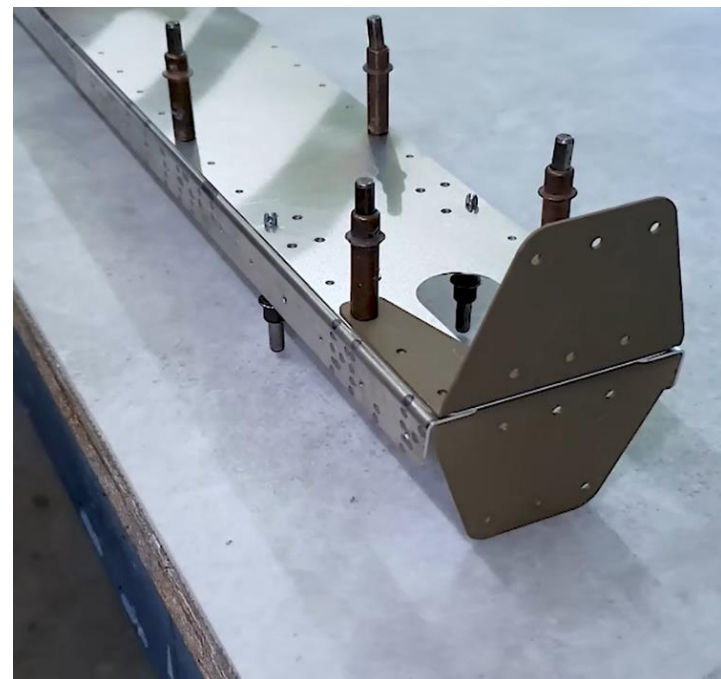
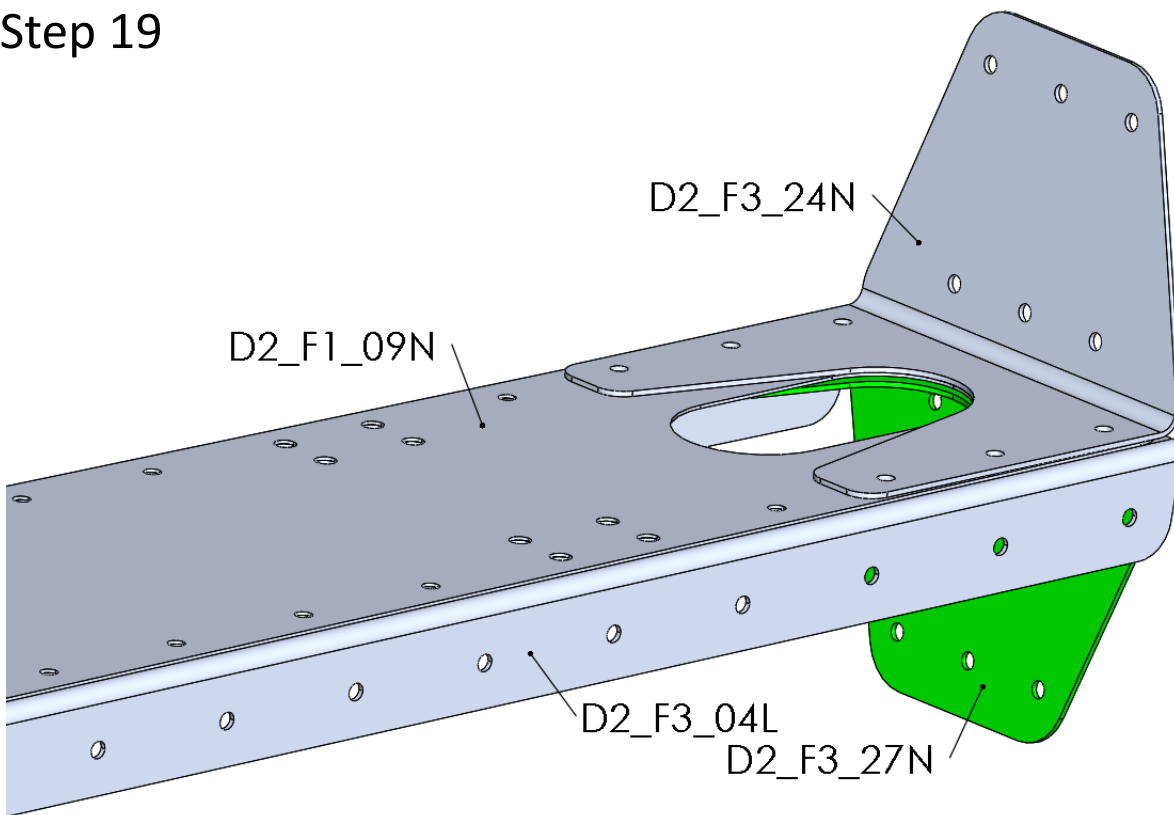
Step 18



Title	Document no.	Revision	Page	Pages
Fuselage assembly manual	D2_F0_00	Rev. 05	38	406



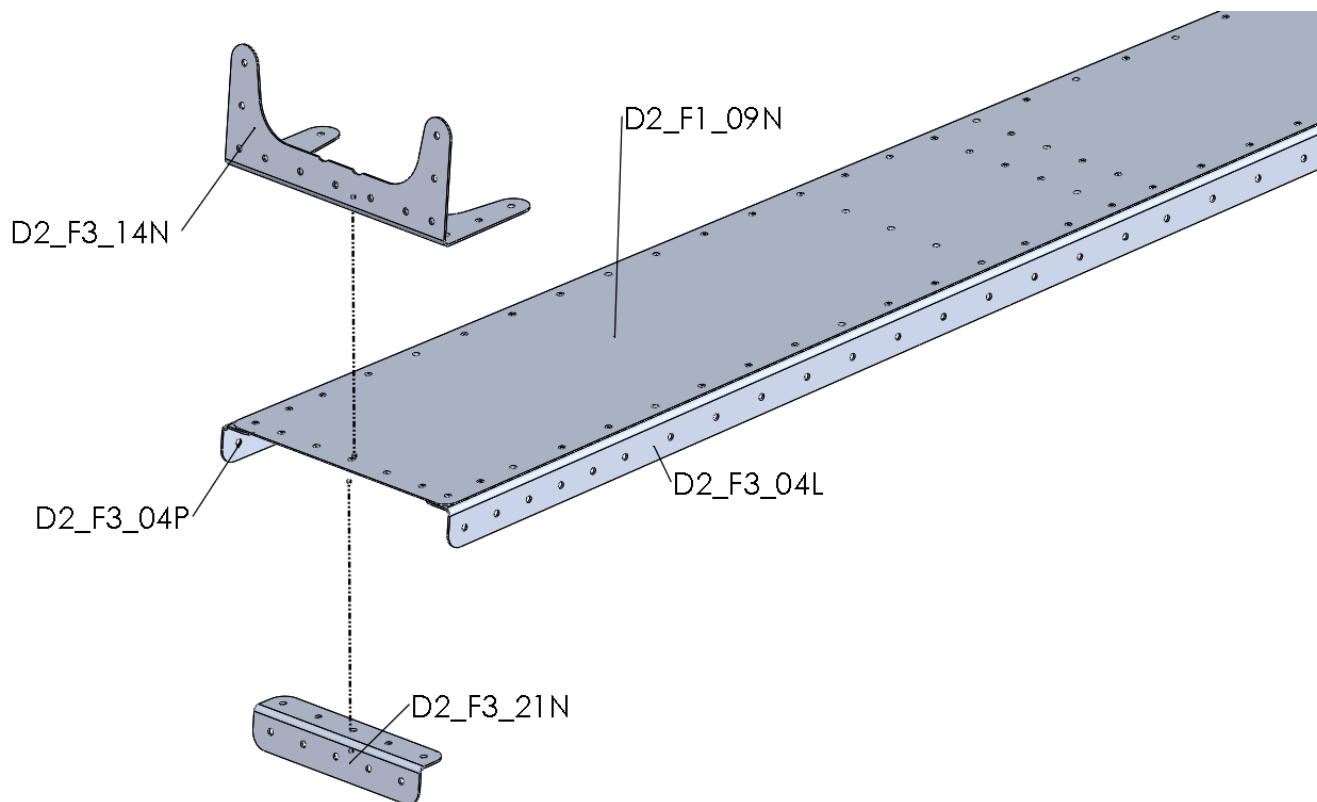
Step 19



Title	Document no.	Revision	Page	Pages
Fuselage assembly manual	D2_F0_00	Rev. 05	39	406



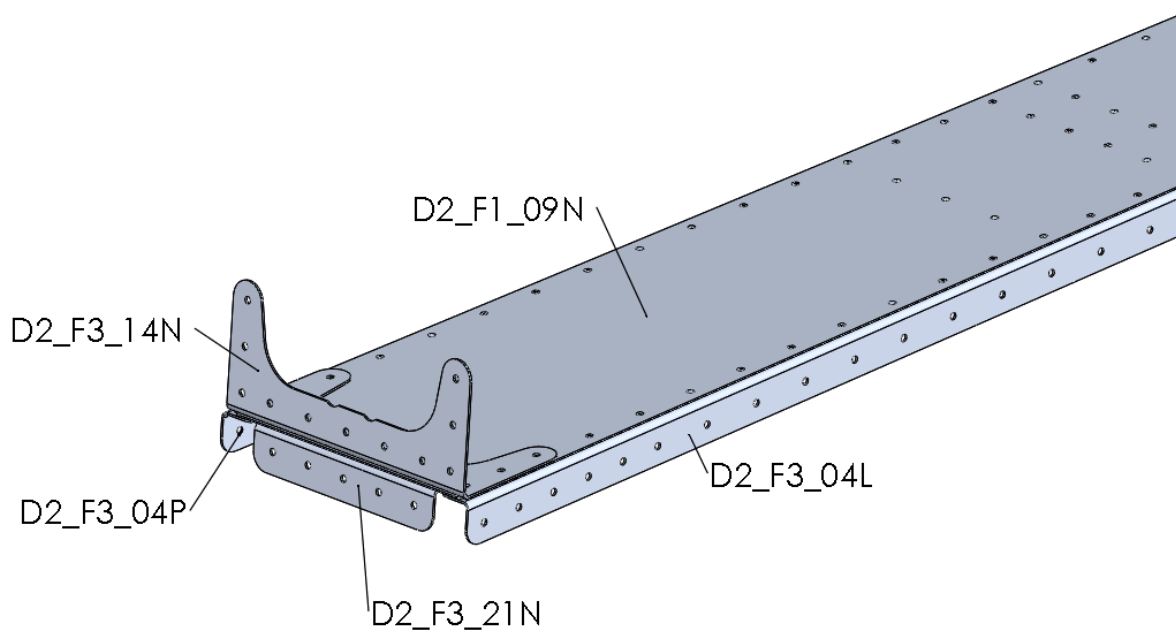
Step 20



Title	Document no.	Revision	Page	Pages
Fuselage assembly manual	D2_F0_00	Rev. 05	40	406



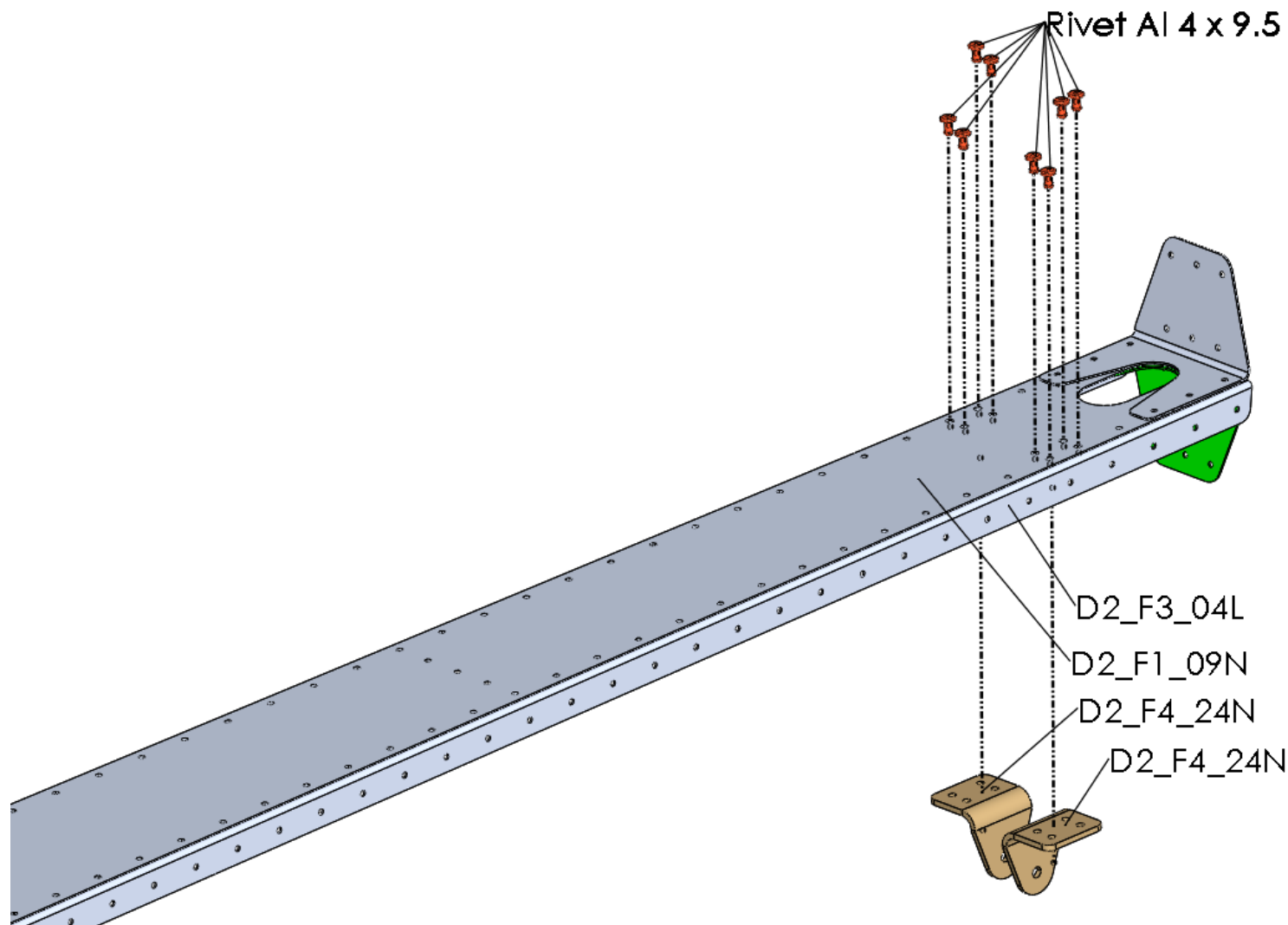
Step 21



Title	Document no.	Revision	Page	Pages
Fuselage assembly manual	D2_F0_00	Rev. 05	41	406



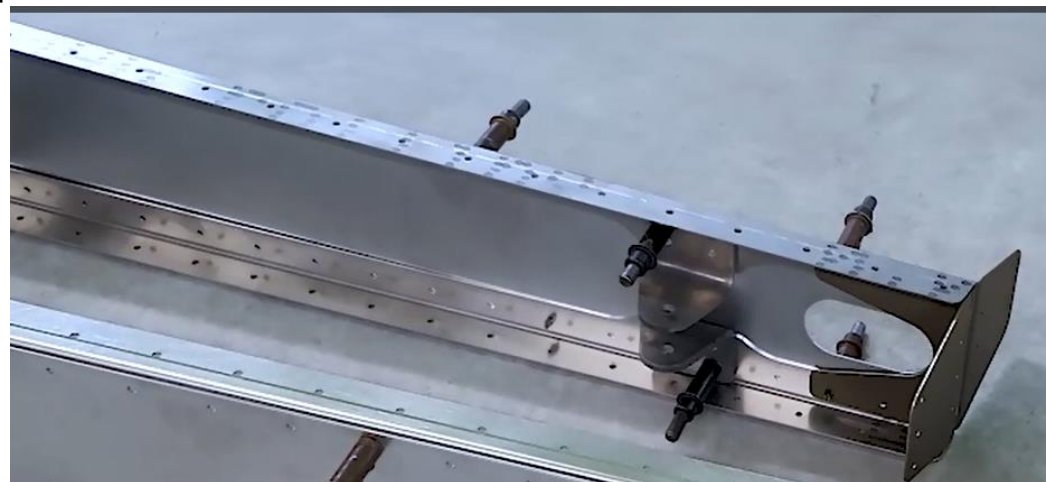
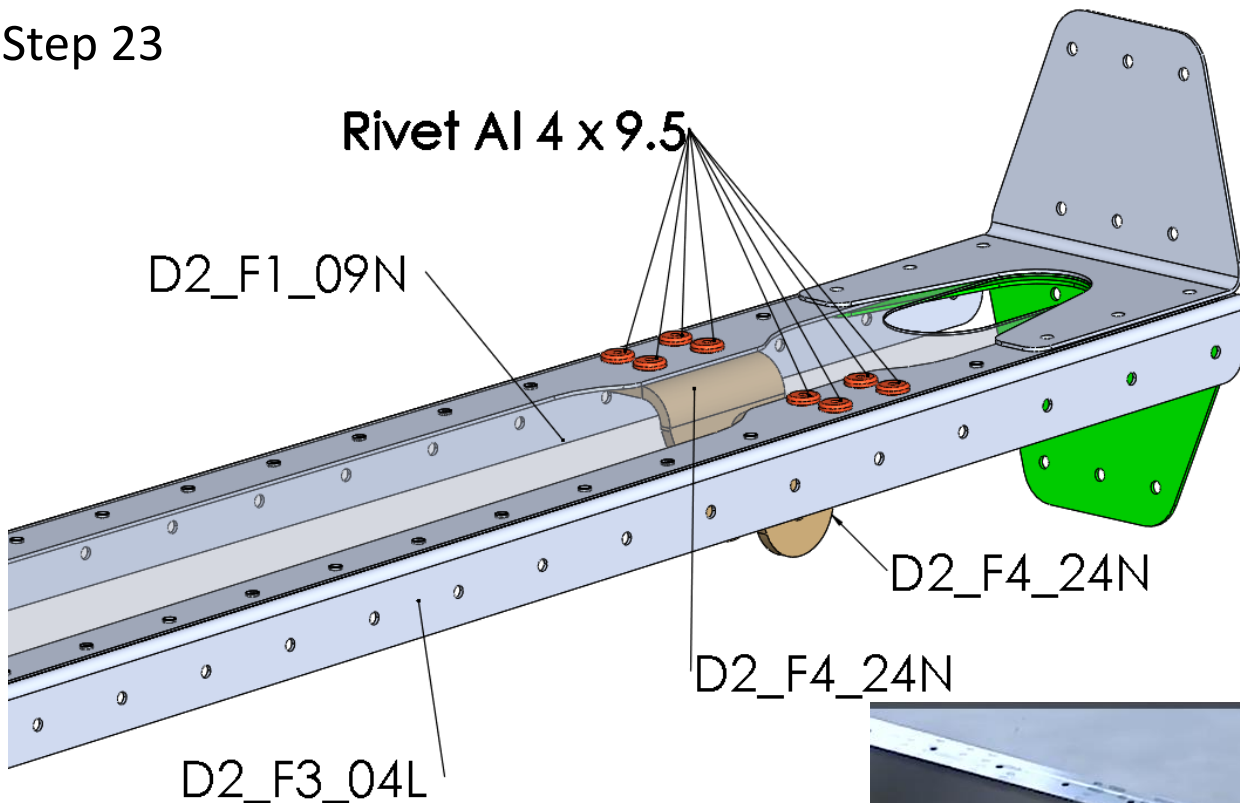
Step 22



Title	Document no.	Revision	Page	Pages
Fuselage assembly manual	D2_F0_00	Rev. 05	42	406



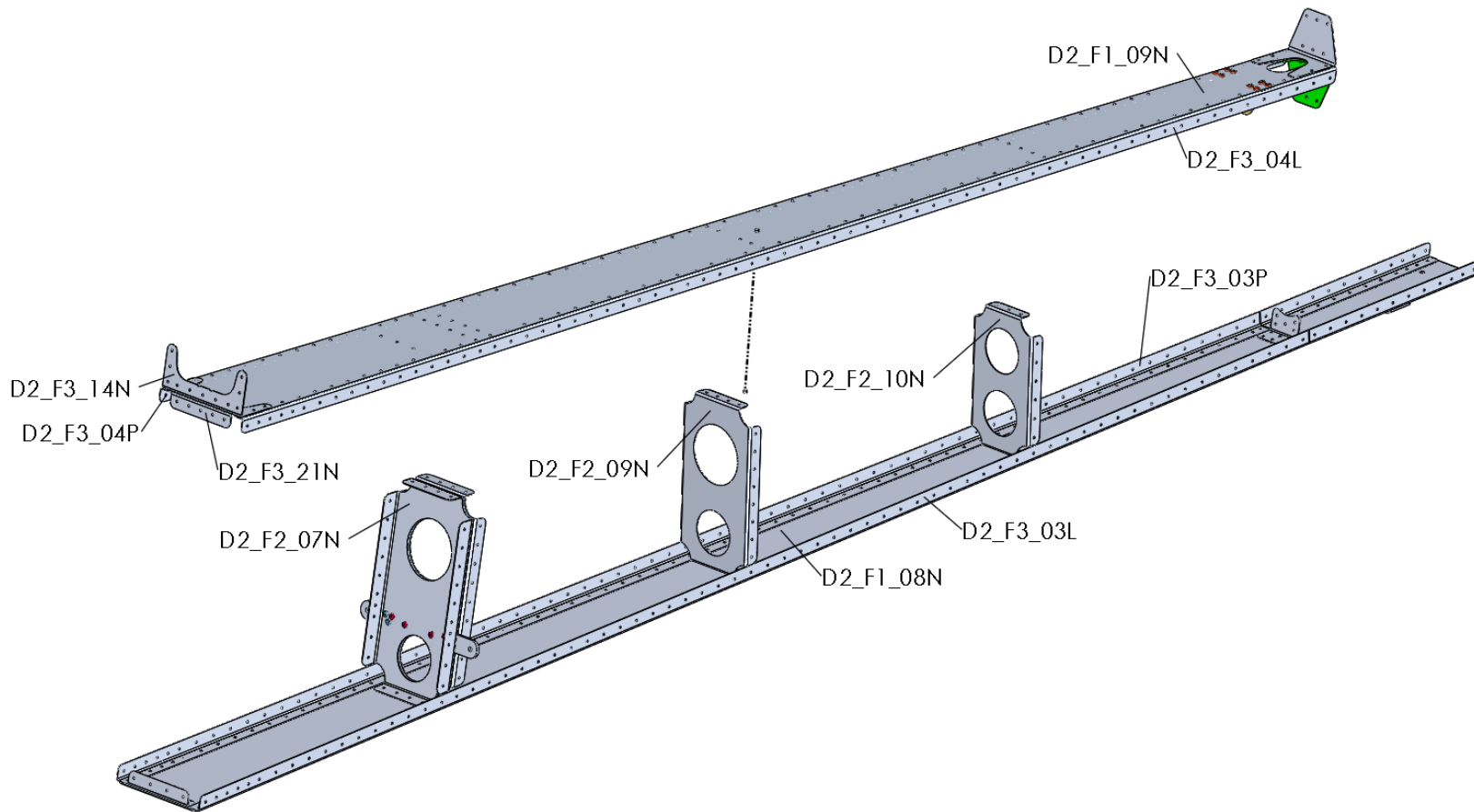
Step 23



Title	Document no.	Revision	Page	Pages
Fuselage assembly manual	D2_F0_00	Rev. 05	43	406



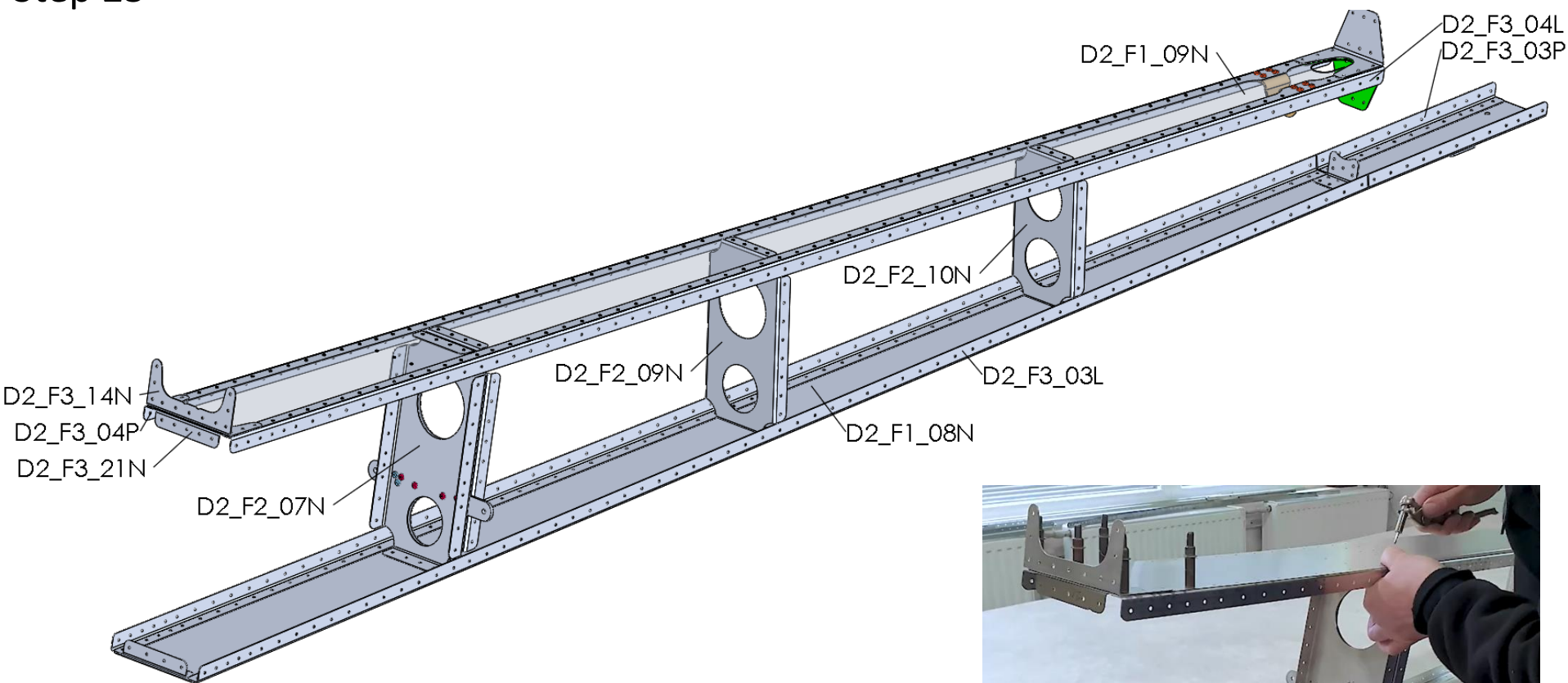
Step 24



Title	Document no.	Revision	Page	Pages
Fuselage assembly manual	D2_F0_00	Rev. 05	44	406



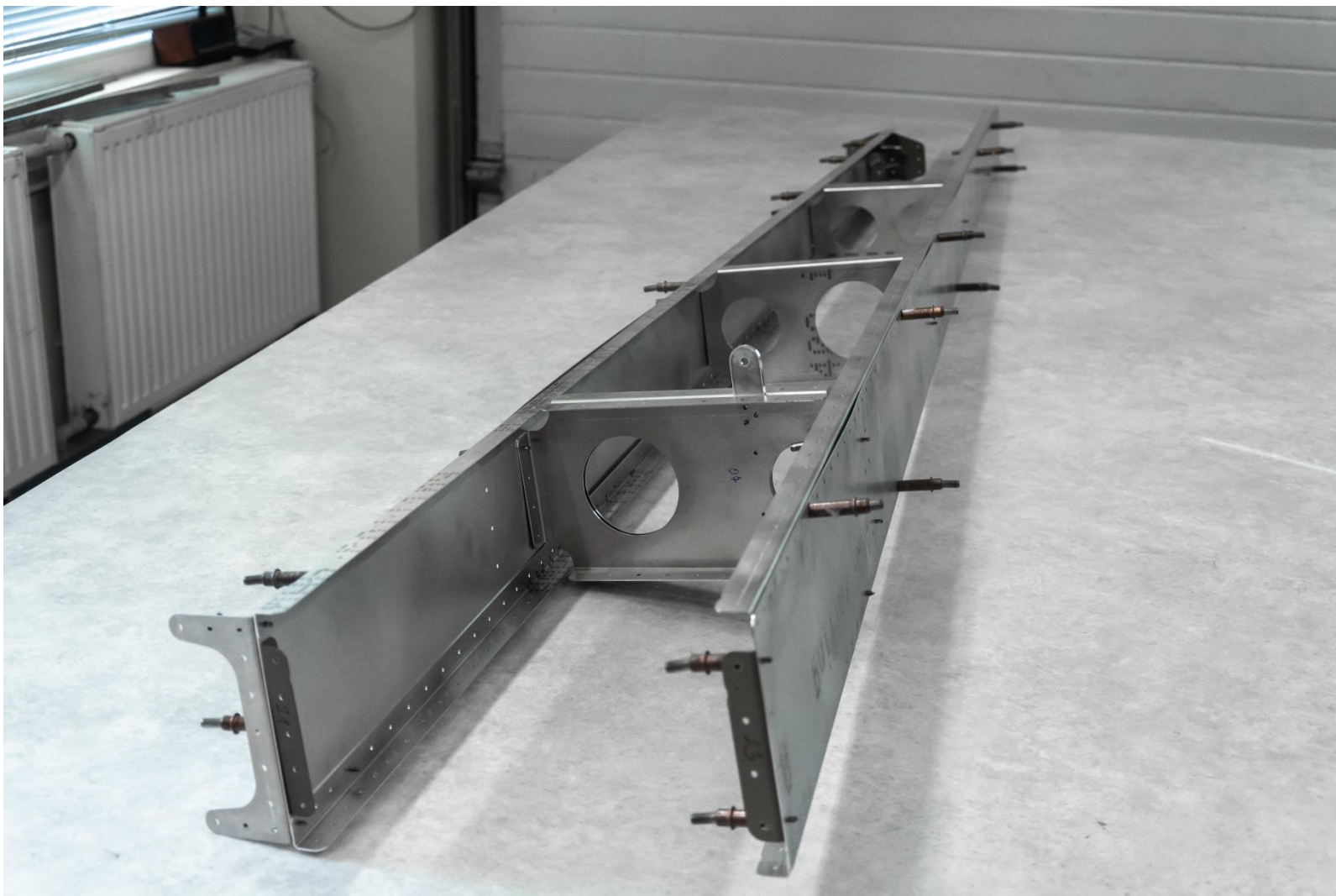
Step 25



Title	Document no.	Revision	Page	Pages
Fuselage assembly manual	D2_F0_00	Rev. 05	45	406



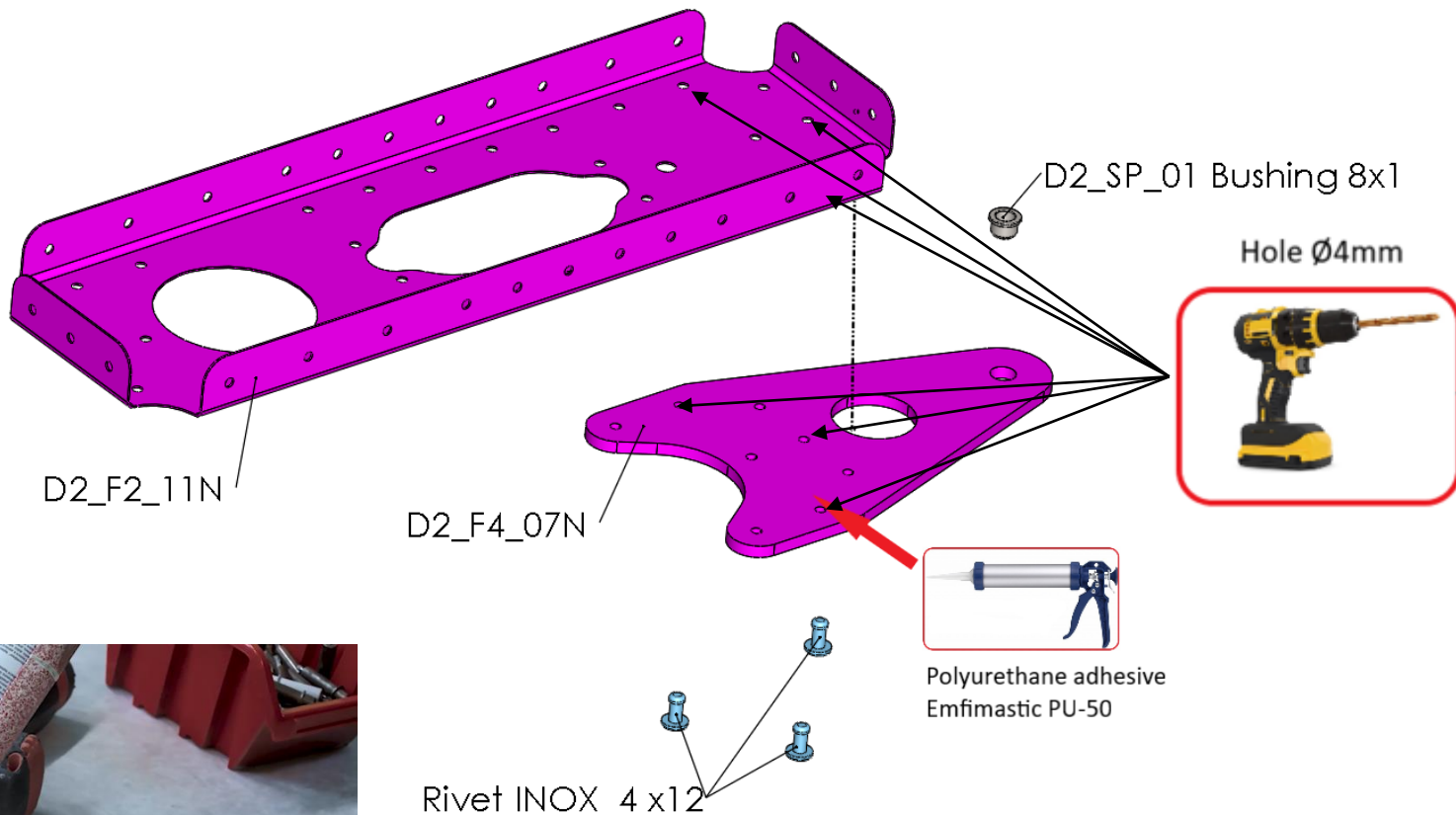
Step 26



Title	Document no.	Revision	Page	Pages
Fuselage assembly manual	D2_F0_00	Rev. 05	46	406



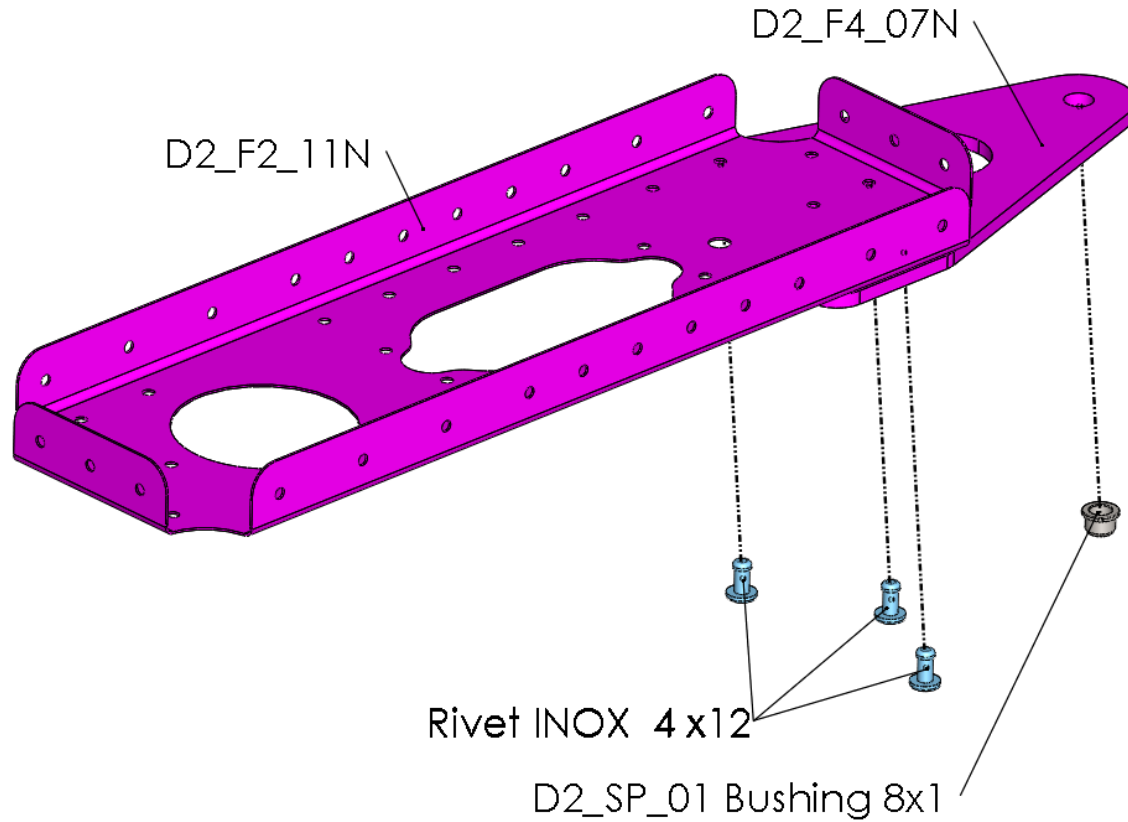
Step 27



Title	Document no.	Revision	Page	Pages
Fuselage assembly manual	D2_F0_00	Rev. 05	47	406



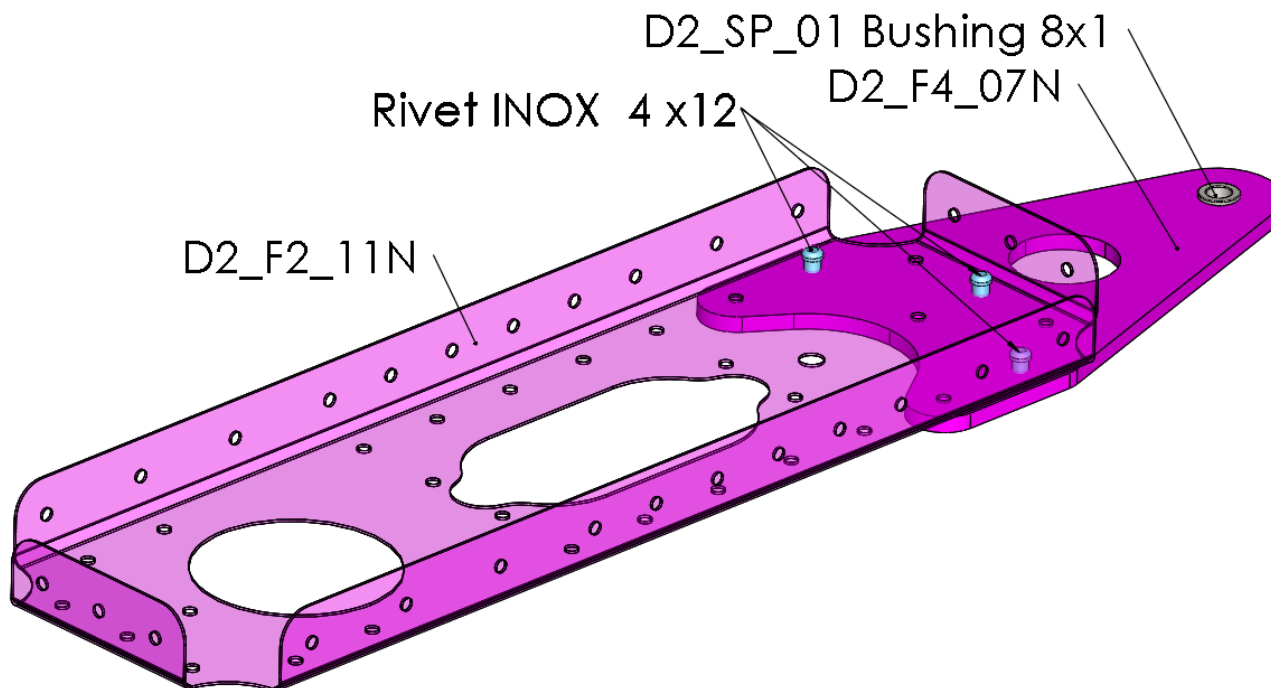
Step 28



Title	Document no.	Revision	Page	Pages
Fuselage assembly manual	D2_F0_00	Rev. 05	48	406



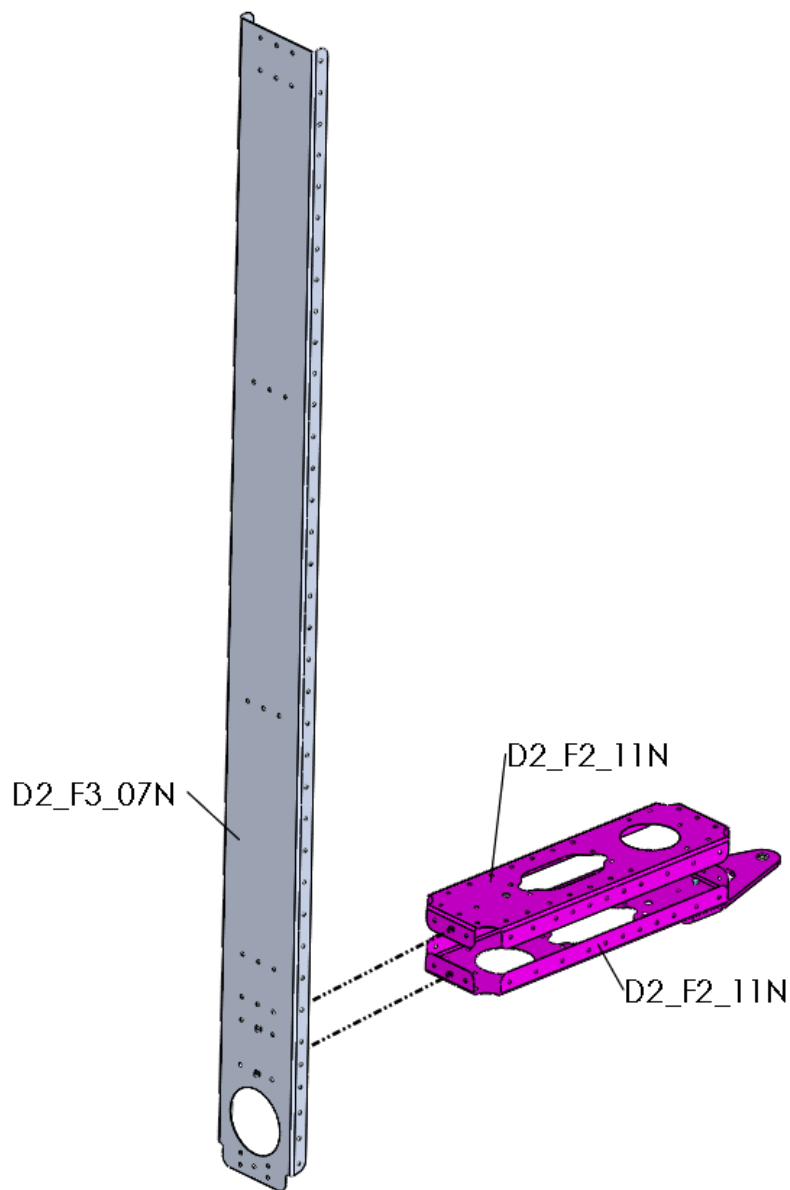
Step 29



Title	Document no.	Revision	Page	Pages
Fuselage assembly manual	D2_F0_00	Rev. 05	49	406



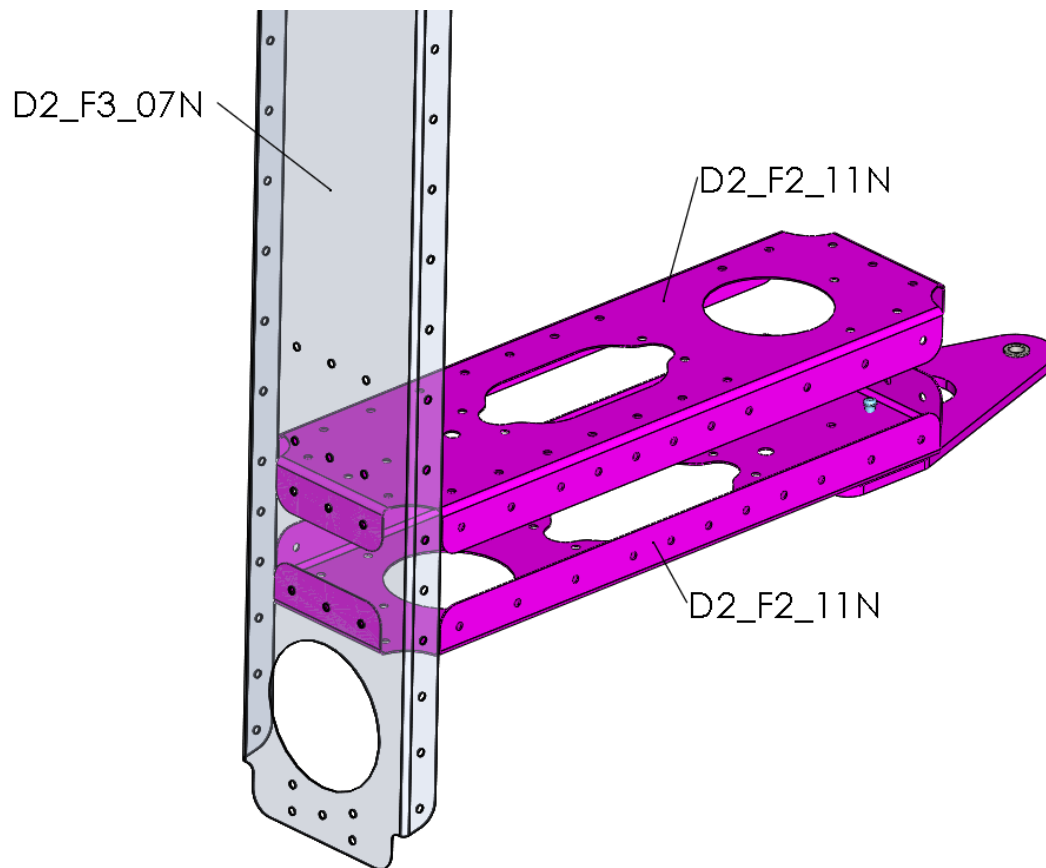
Step 30



Title	Document no.	Revision	Page	Pages
Fuselage assembly manual	D2_F0_00	Rev. 05	50	406



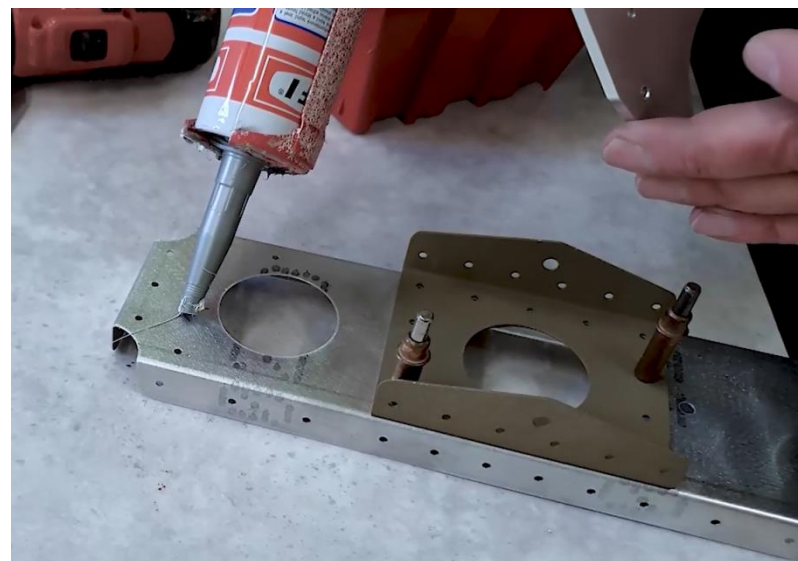
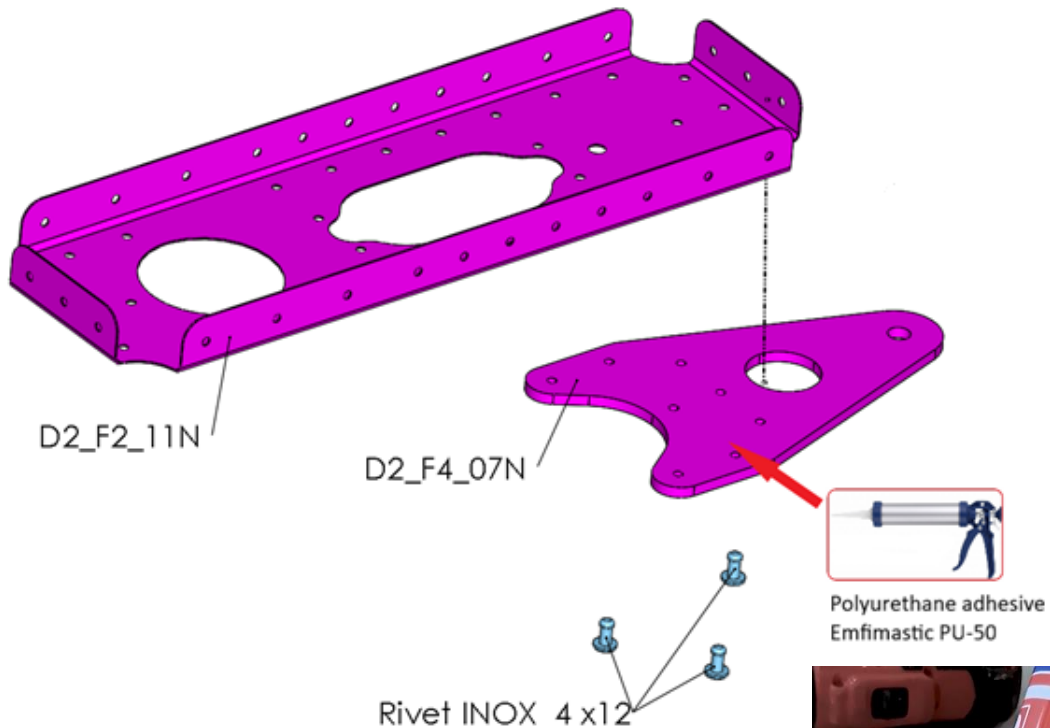
Step 31



Title	Document no.	Revision	Page	Pages
Fuselage assembly manual	D2_F0_00	Rev. 05	51	406



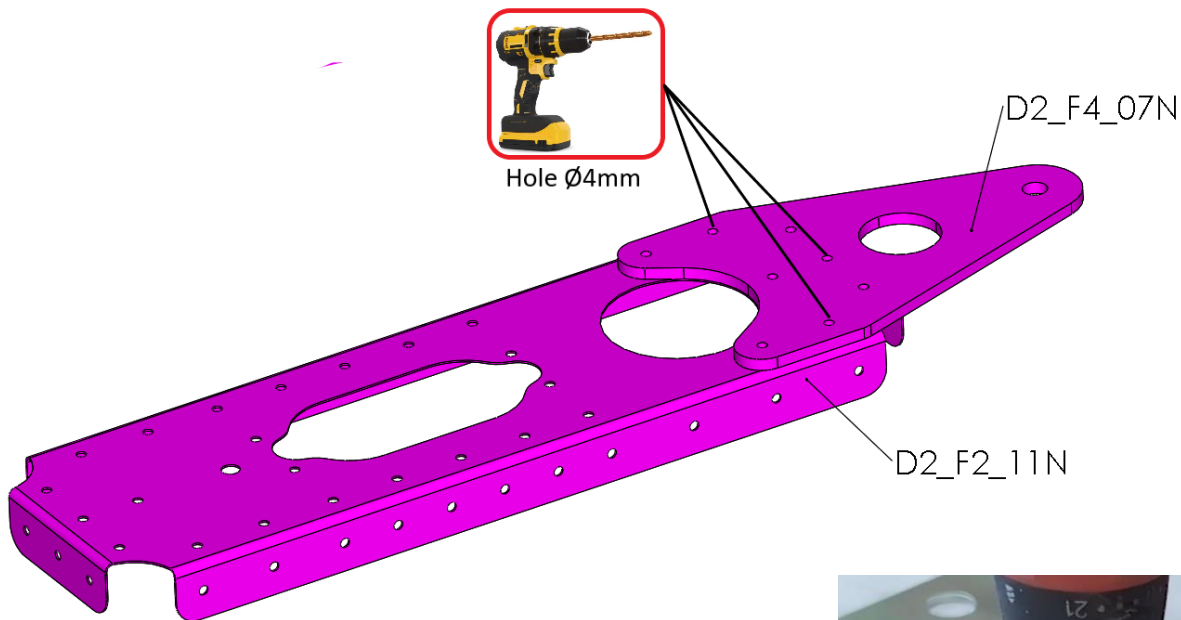
Step 32



Title	Document no.	Revision	Page	Pages
Fuselage assembly manual	D2_F0_00	Rev. 05	52	406



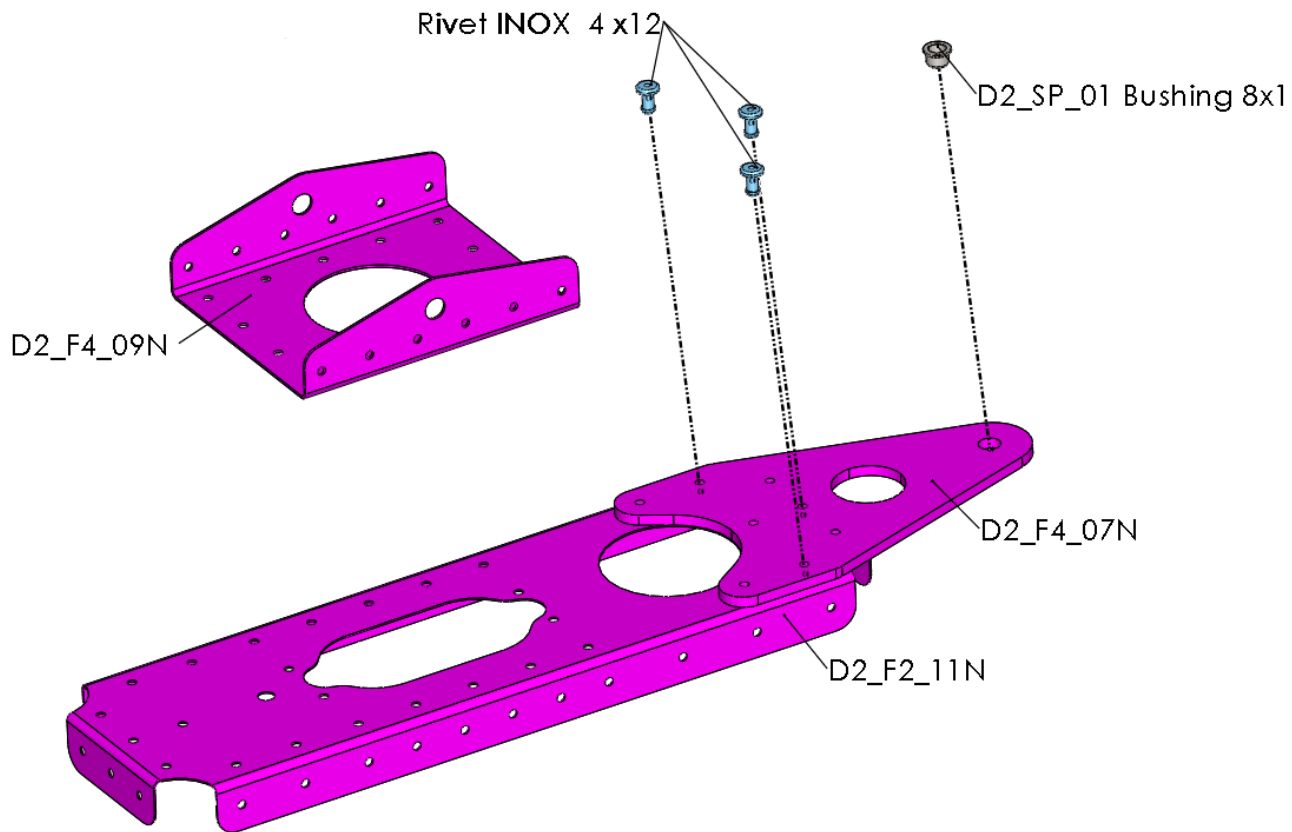
Step 33



Title	Document no.	Revision	Page	Pages
Fuselage assembly manual	D2_F0_00	Rev. 05	53	406



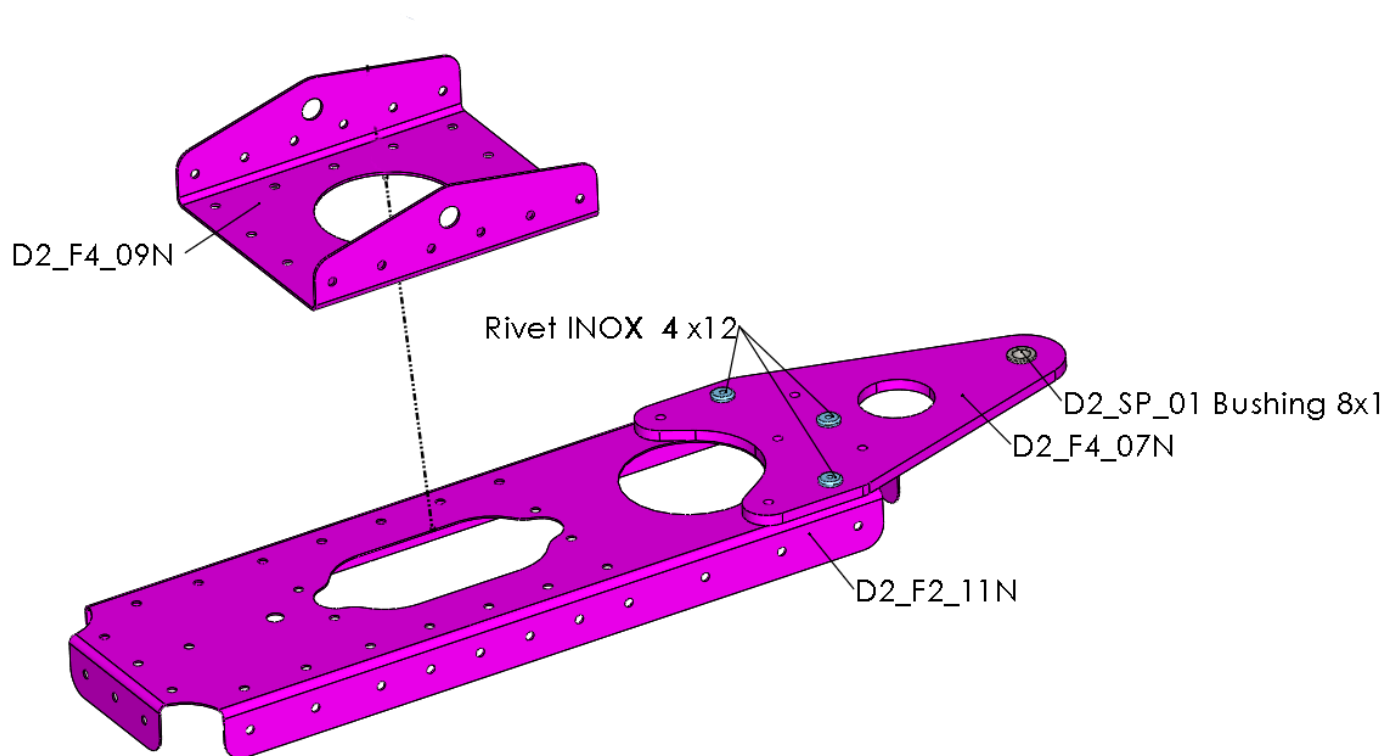
Step 34



Title	Document no.	Revision	Page	Pages
Fuselage assembly manual	D2_F0_00	Rev. 05	54	406



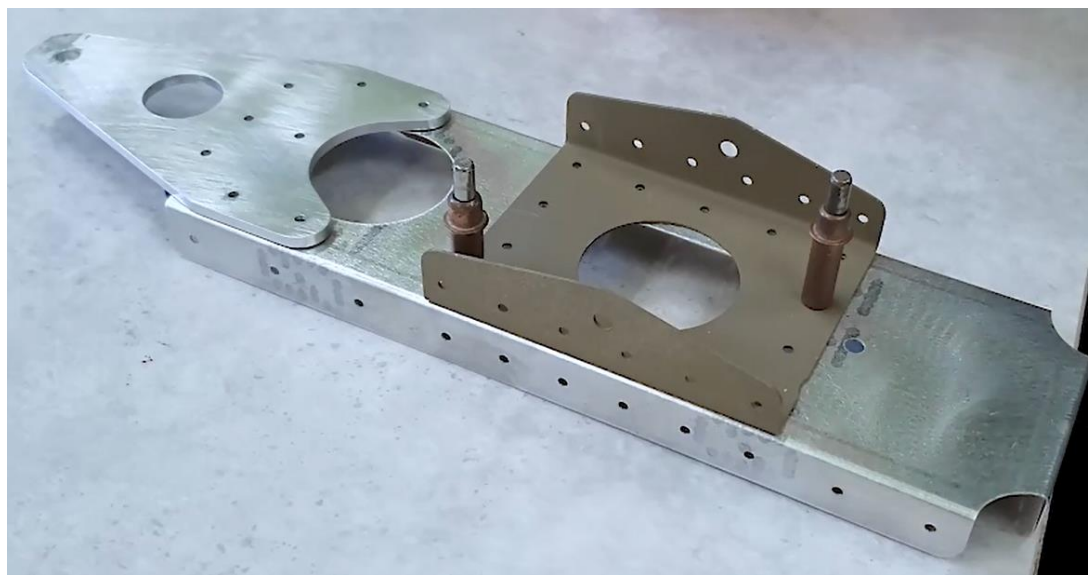
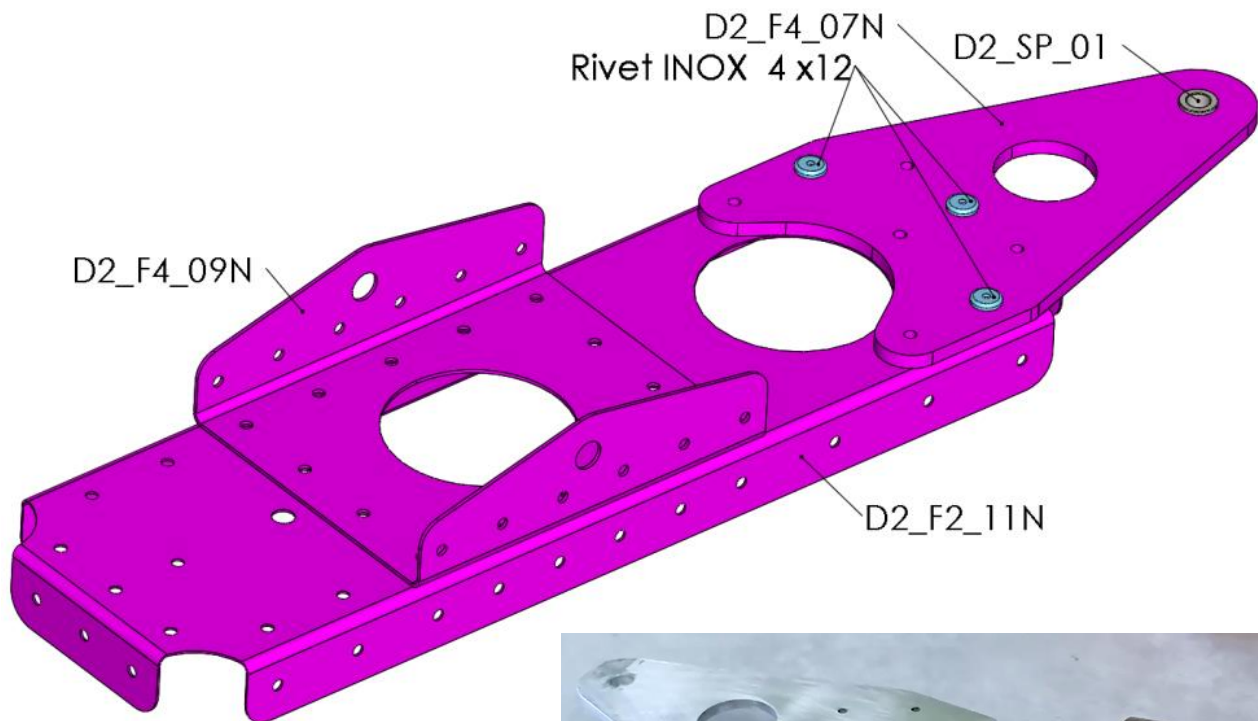
Step 35



Title	Document no.	Revision	Page	Pages
Fuselage assembly manual	D2_F0_00	Rev. 05	55	406



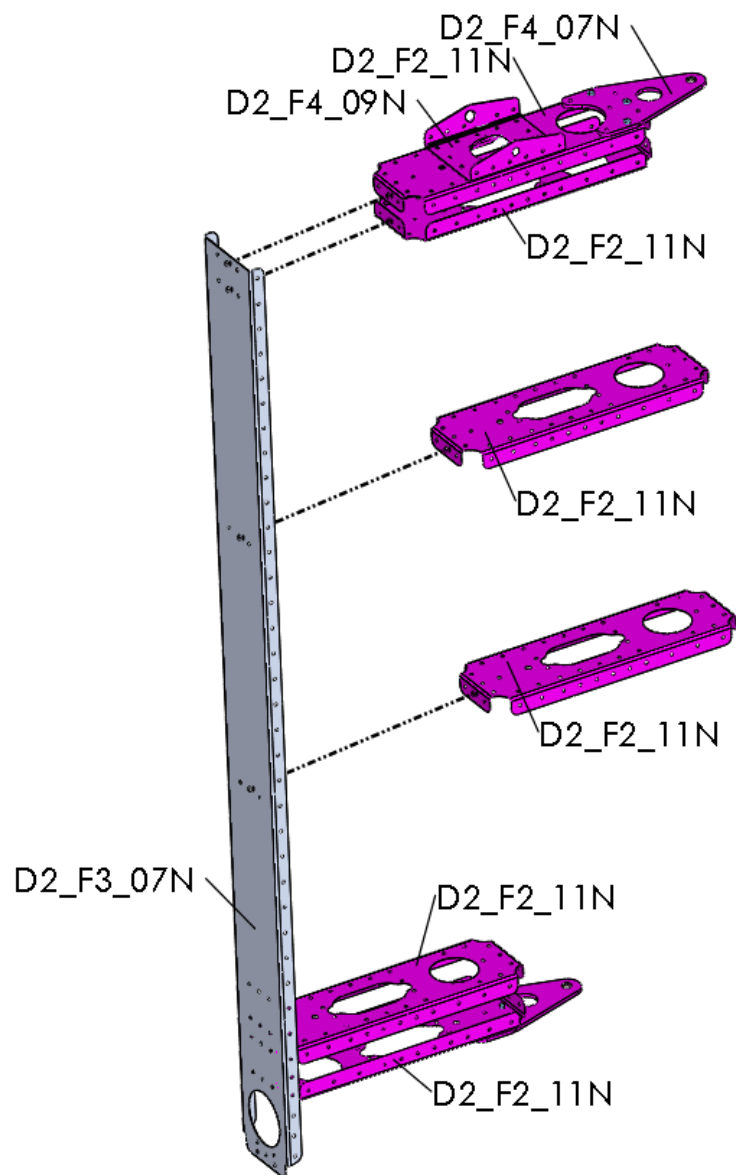
Step 36



Title	Document no.	Revision	Page	Pages
Fuselage assembly manual	D2_F0_00	Rev. 05	56	406



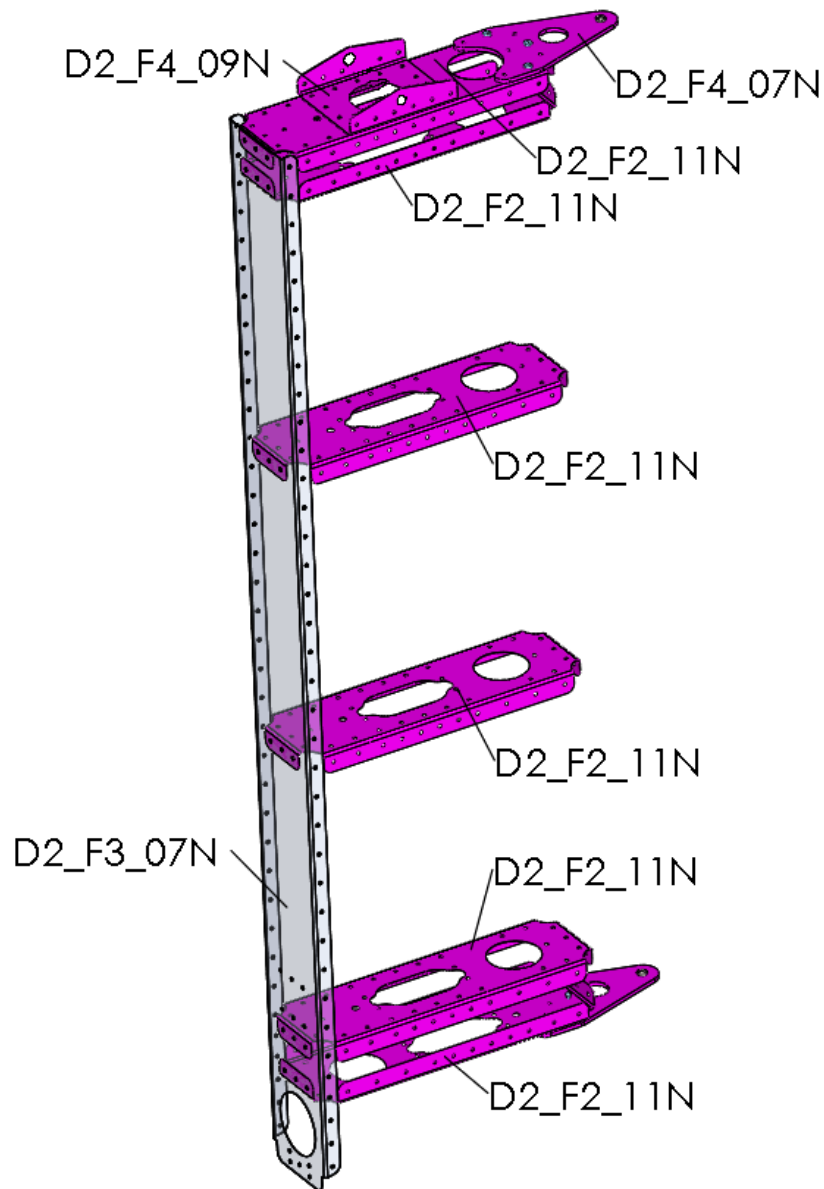
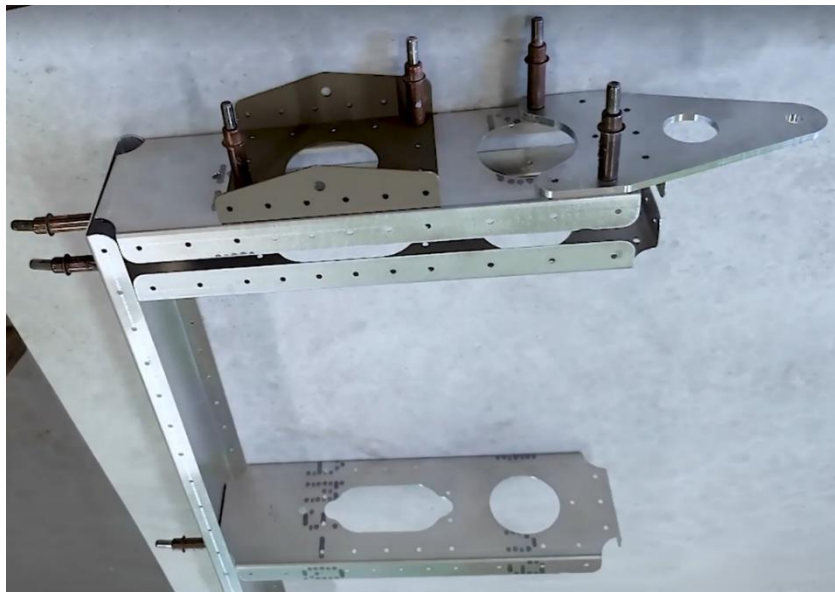
Step 37



Title	Document no.	Revision	Page	Pages
Fuselage assembly manual	D2_F0_00	Rev. 05	57	406



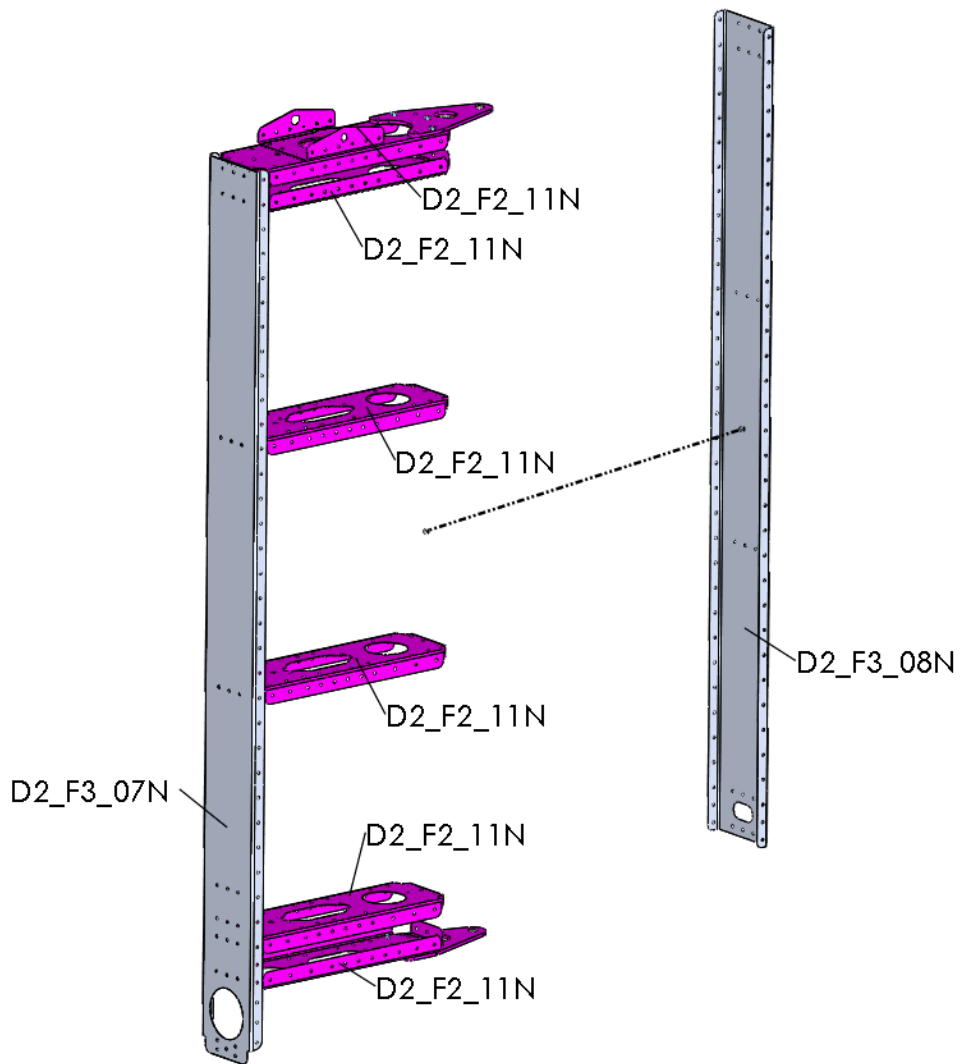
Step 38



Title	Document no.	Revision	Page	Pages
Fuselage assembly manual	D2_F0_00	Rev. 05	58	406



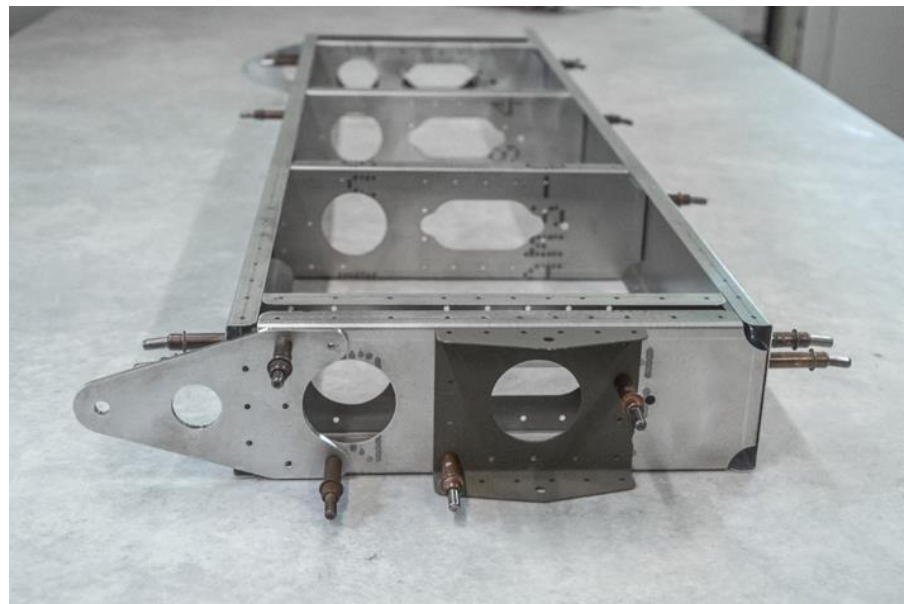
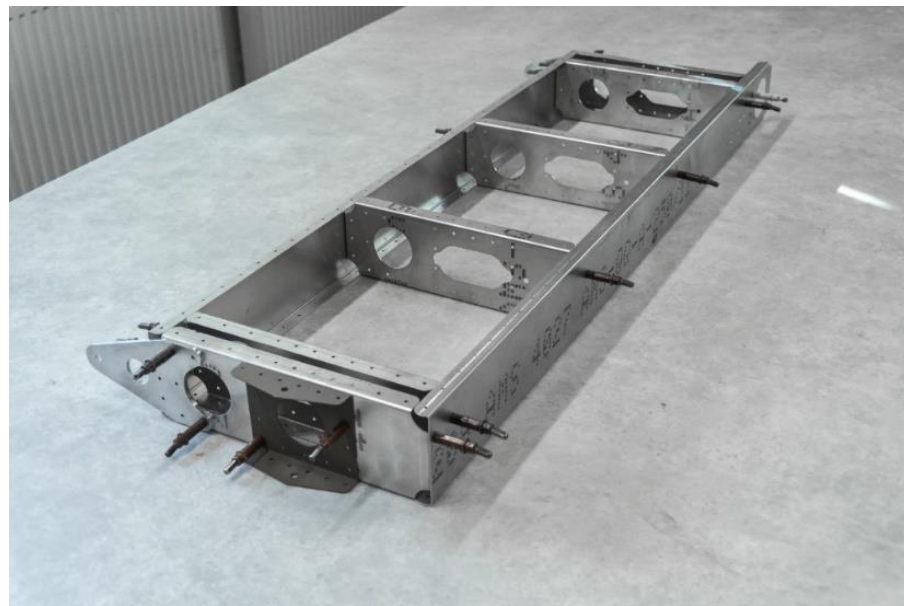
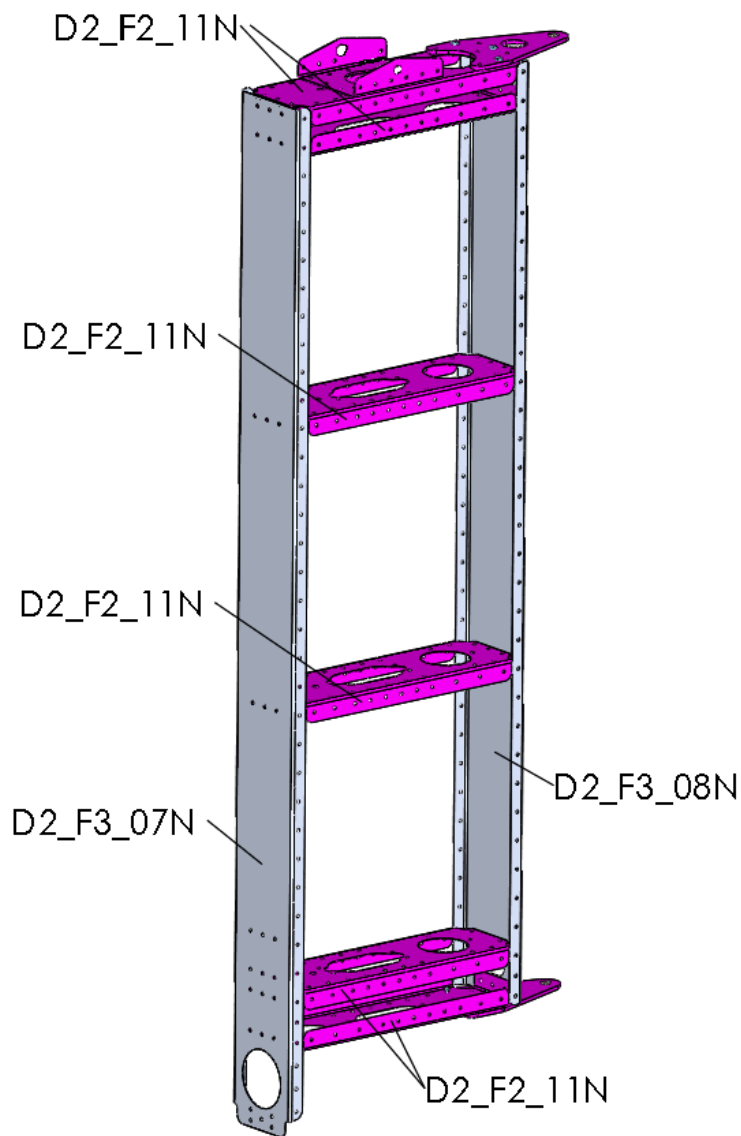
Step 39



Title	Document no.	Revision	Page	Pages
Fuselage assembly manual	D2_F0_00	Rev. 05	59	406



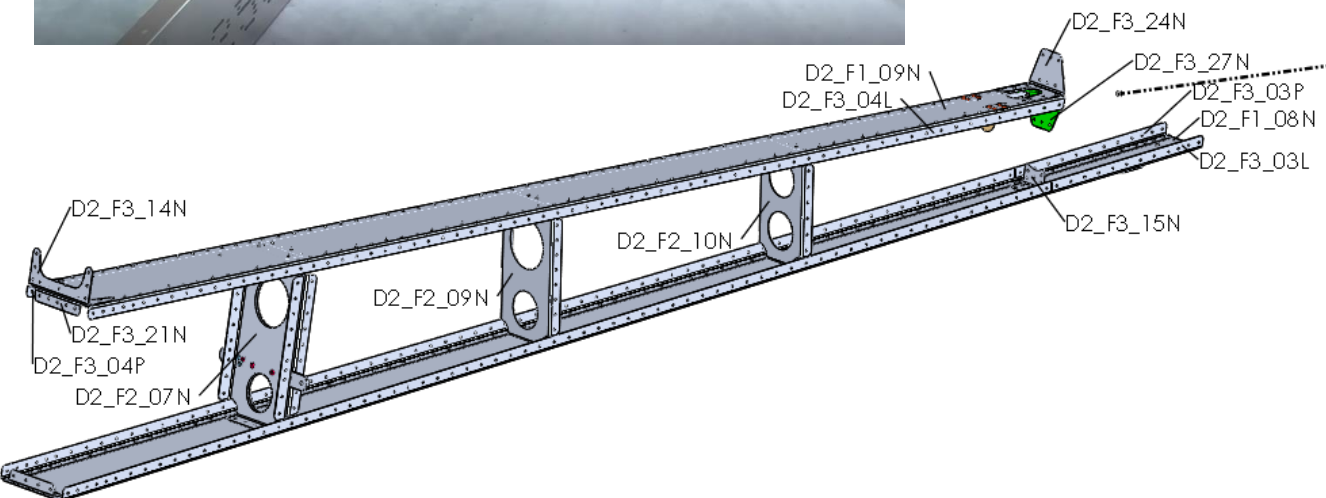
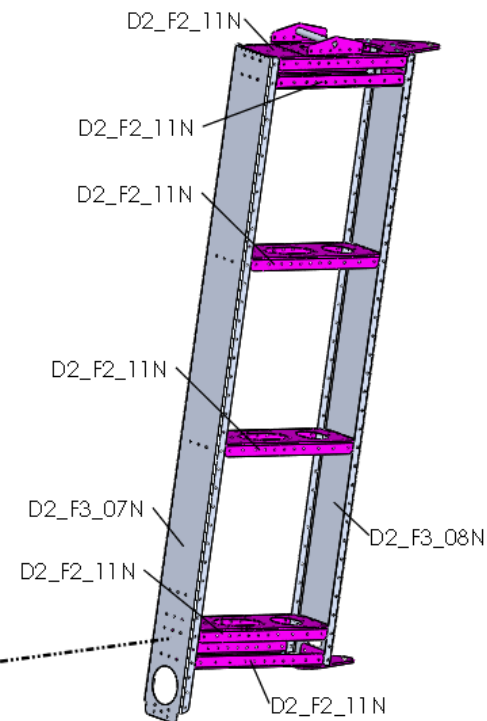
Step 40



Title	Document no.	Revision	Page	Pages
Fuselage assembly manual	D2_F0_00	Rev. 05	60	406



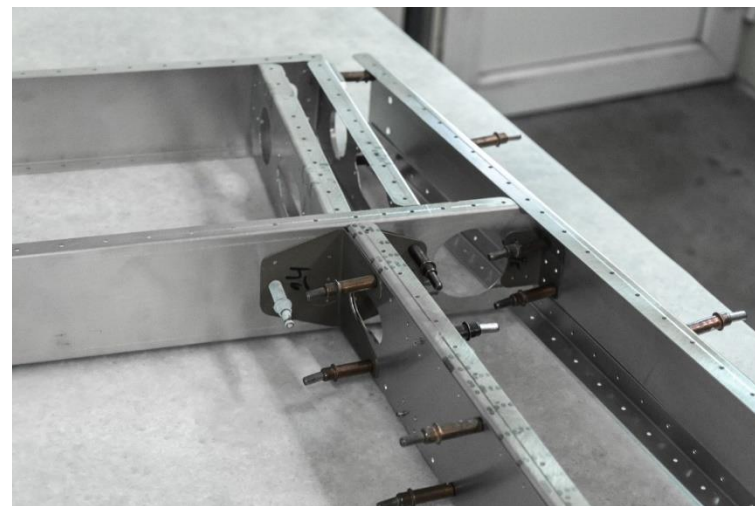
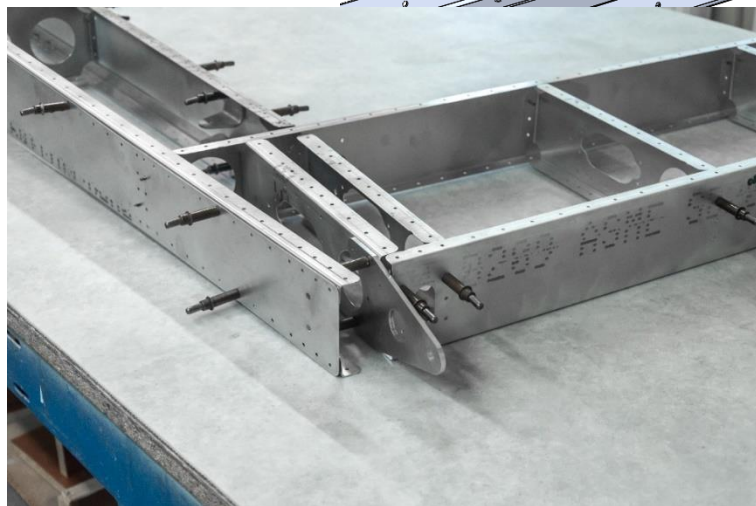
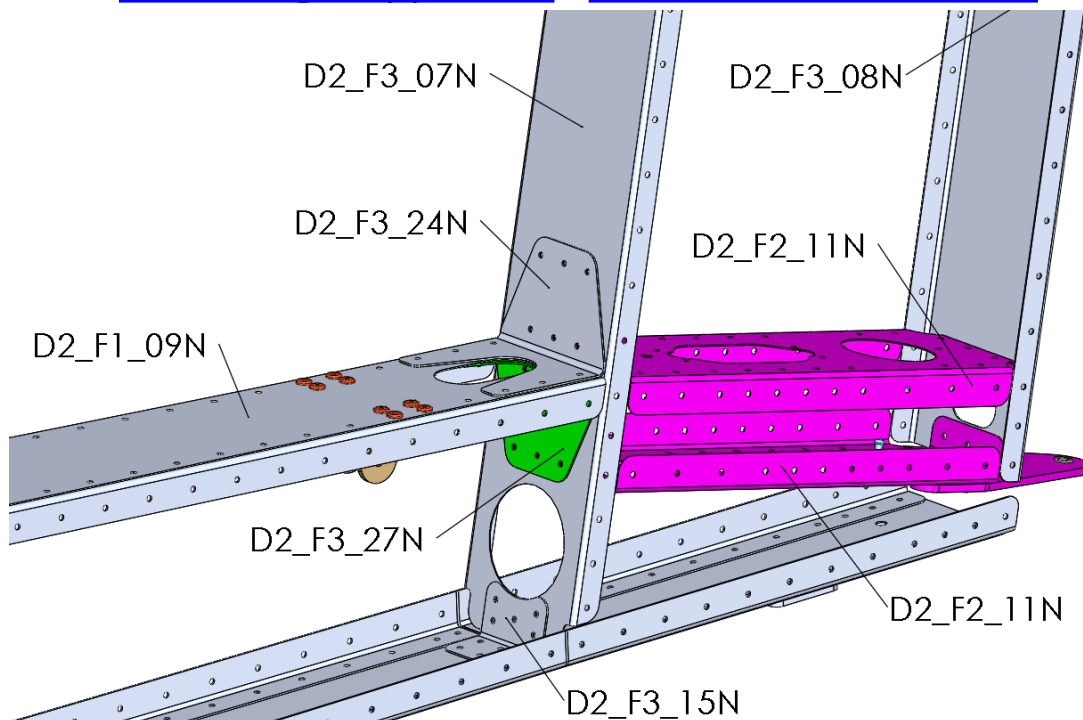
Step 41



Title	Document no.	Revision	Page	Pages
Fuselage assembly manual	D2_F0_00	Rev. 05	61	406



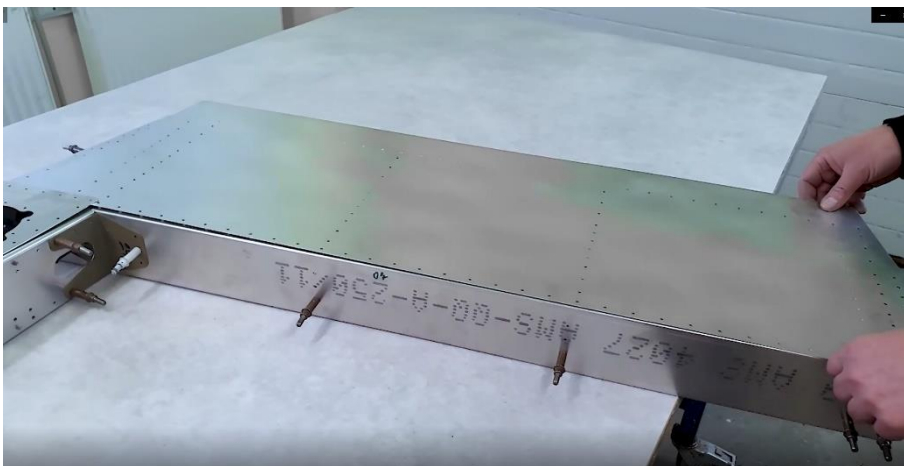
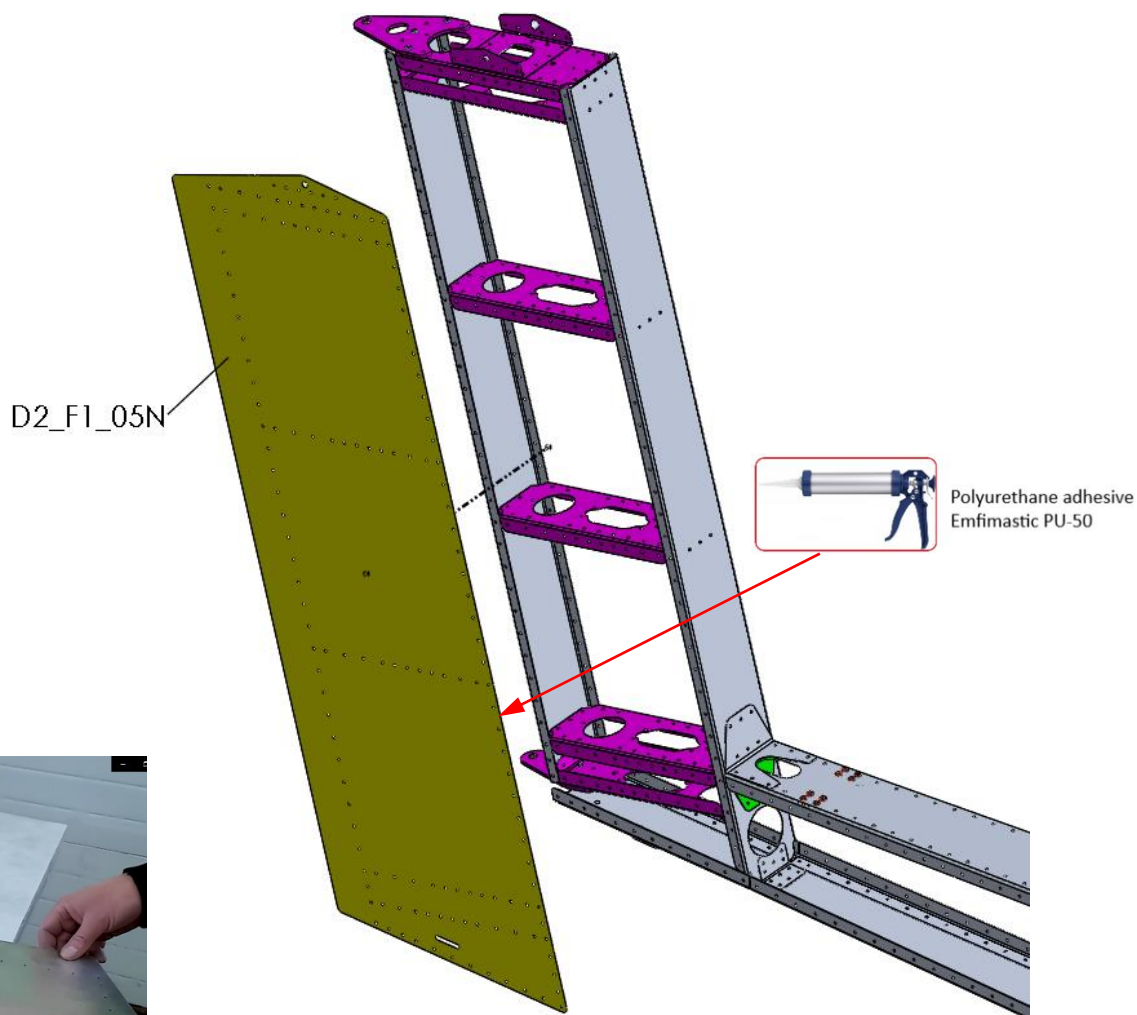
Step 42



Title	Document no.	Revision	Page	Pages
Fuselage assembly manual	D2_F0_00	Rev. 05	62	406



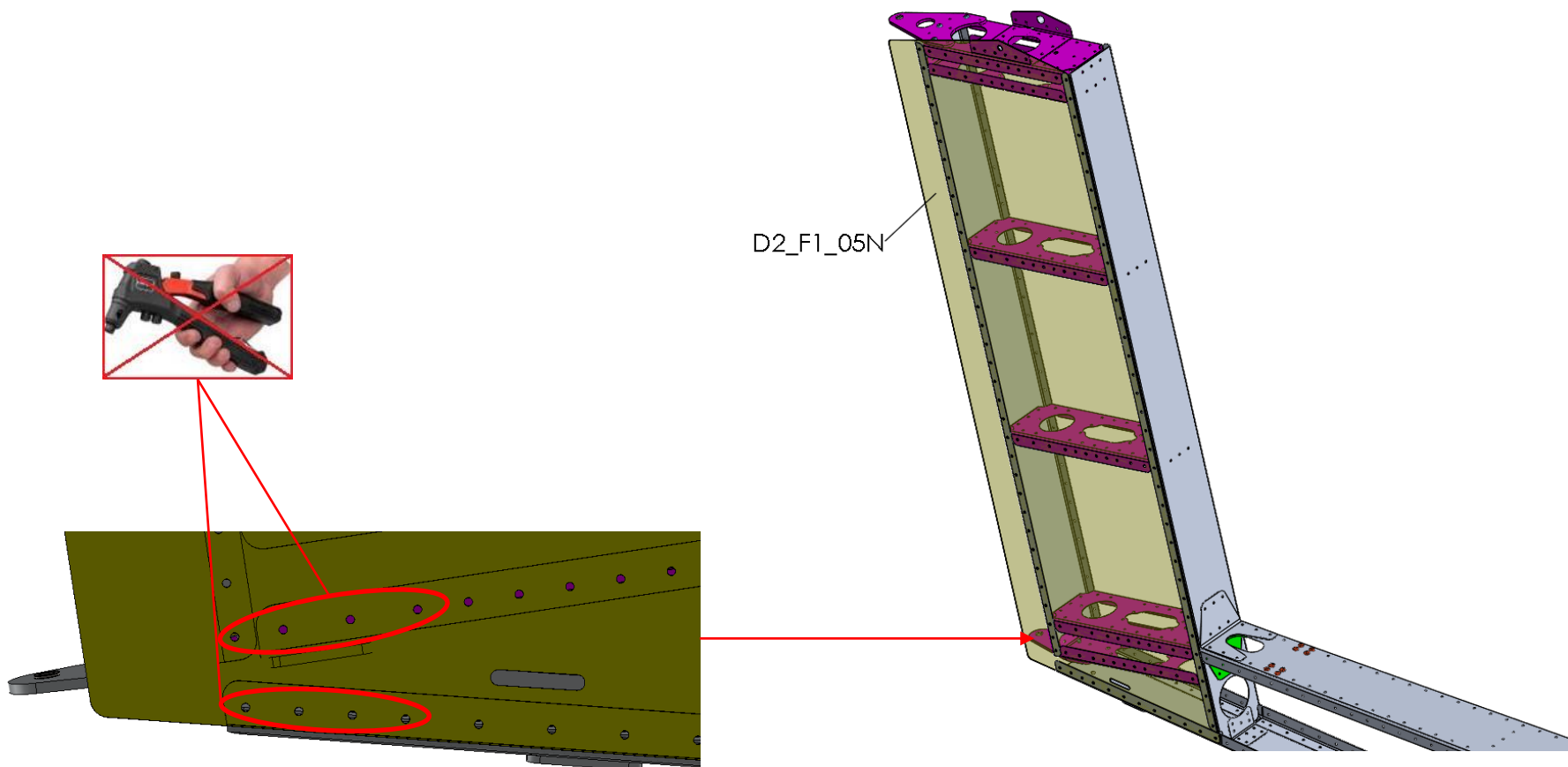
Step 43



Title	Document no.	Revision	Page	Pages
Fuselage assembly manual	D2_F0_00	Rev. 05	63	406



Step 44



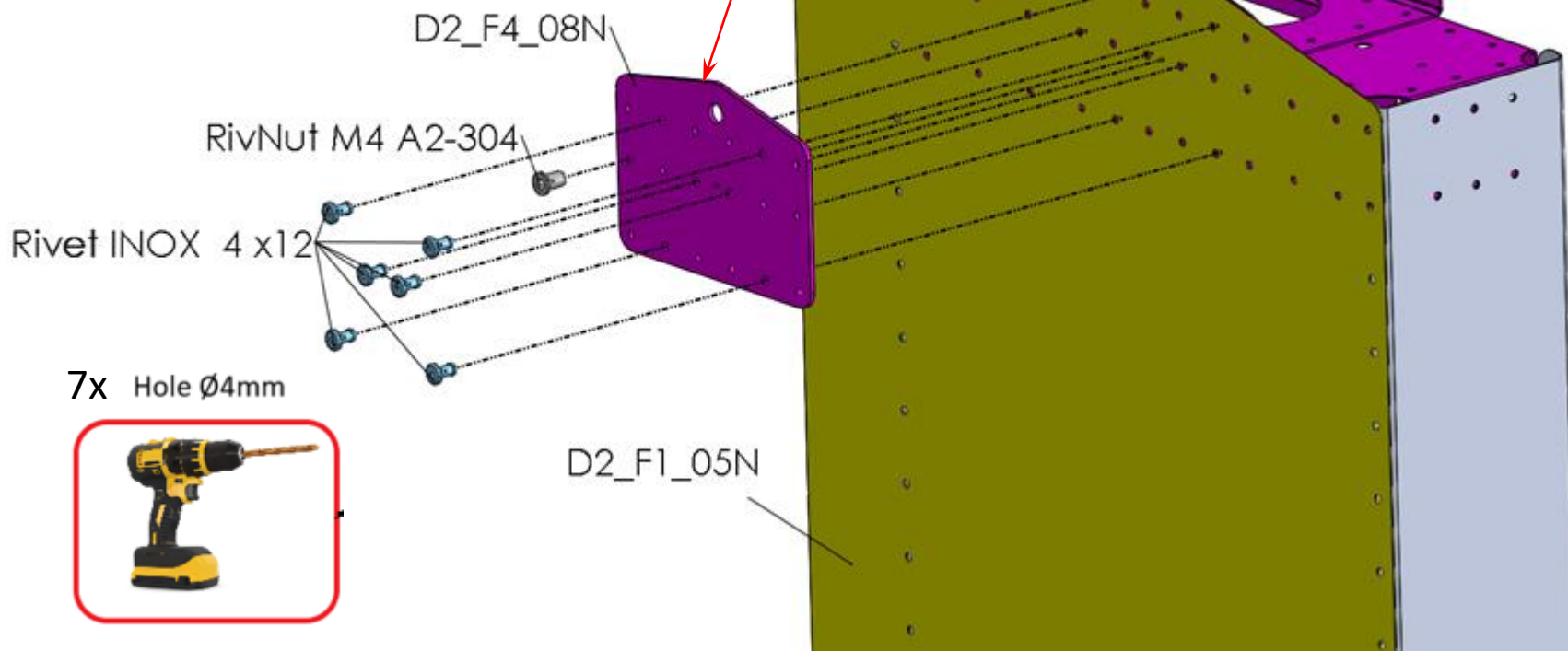
Title	Document no.	Revision	Page	Pages
Fuselage assembly manual	D2_F0_00	Rev. 05	64	406



Step 45



Polyurethane adhesive
Emfimastic PU-50



7x Hole Ø4mm



Title	Document no.	Revision	Page	Pages
Fuselage assembly manual	D2_F0_00	Rev. 05	65	406



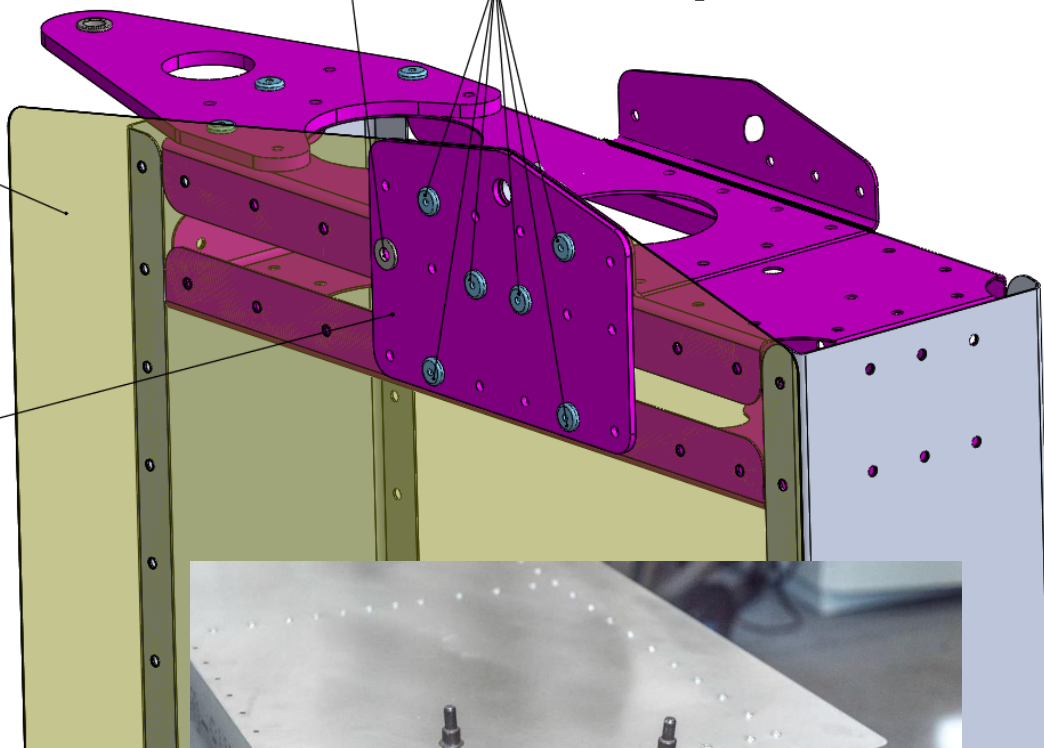
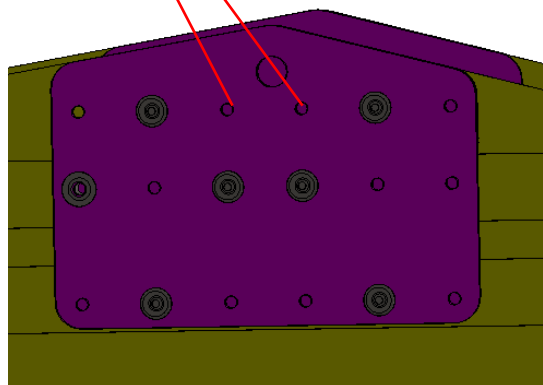
Step 46

RivNut M4 A2-304

Rivet INOX 4 x12

D2_F1_05N

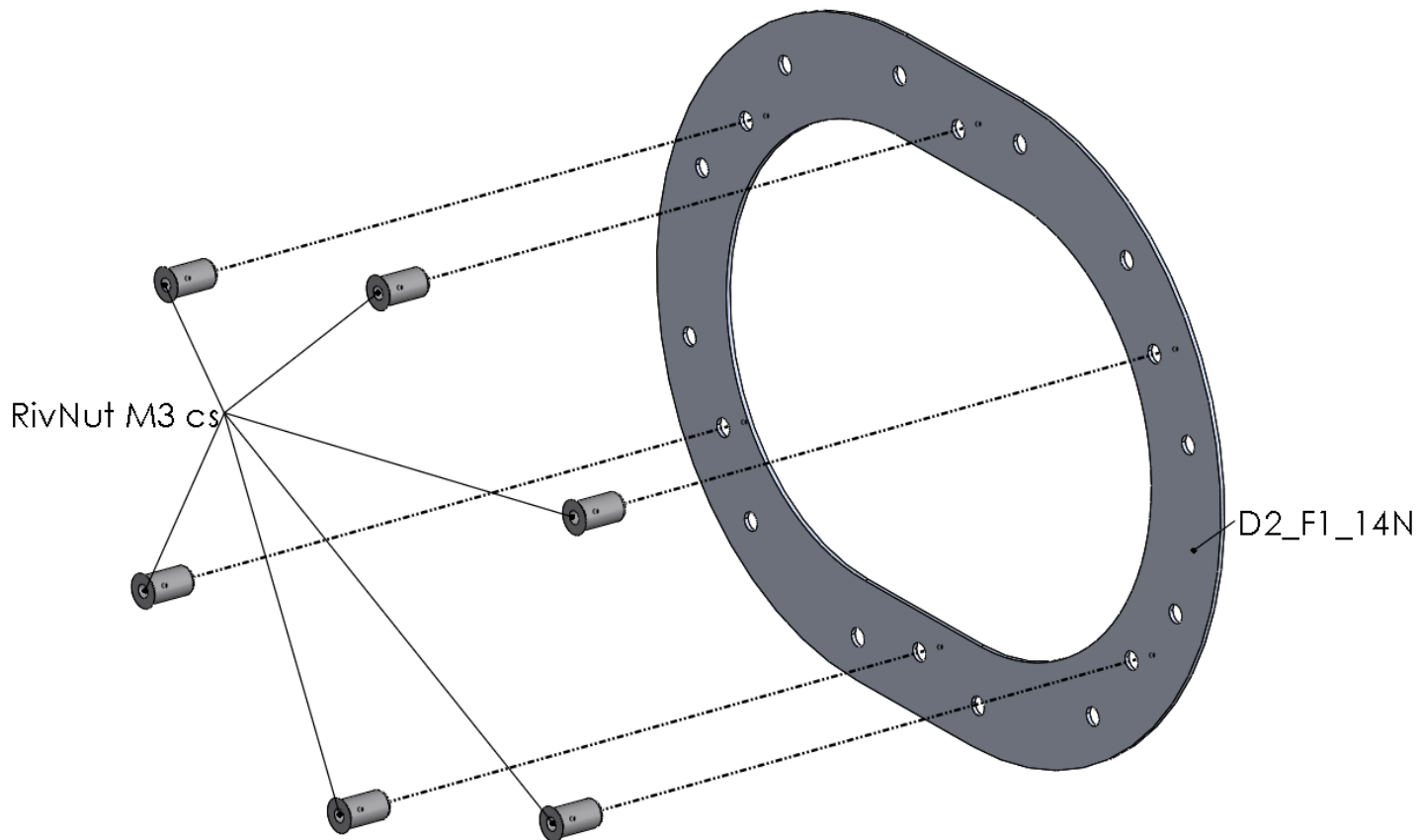
D2_F4_08N



Title	Document no.	Revision	Page	Pages
Fuselage assembly manual	D2_F0_00	Rev. 05	66	406



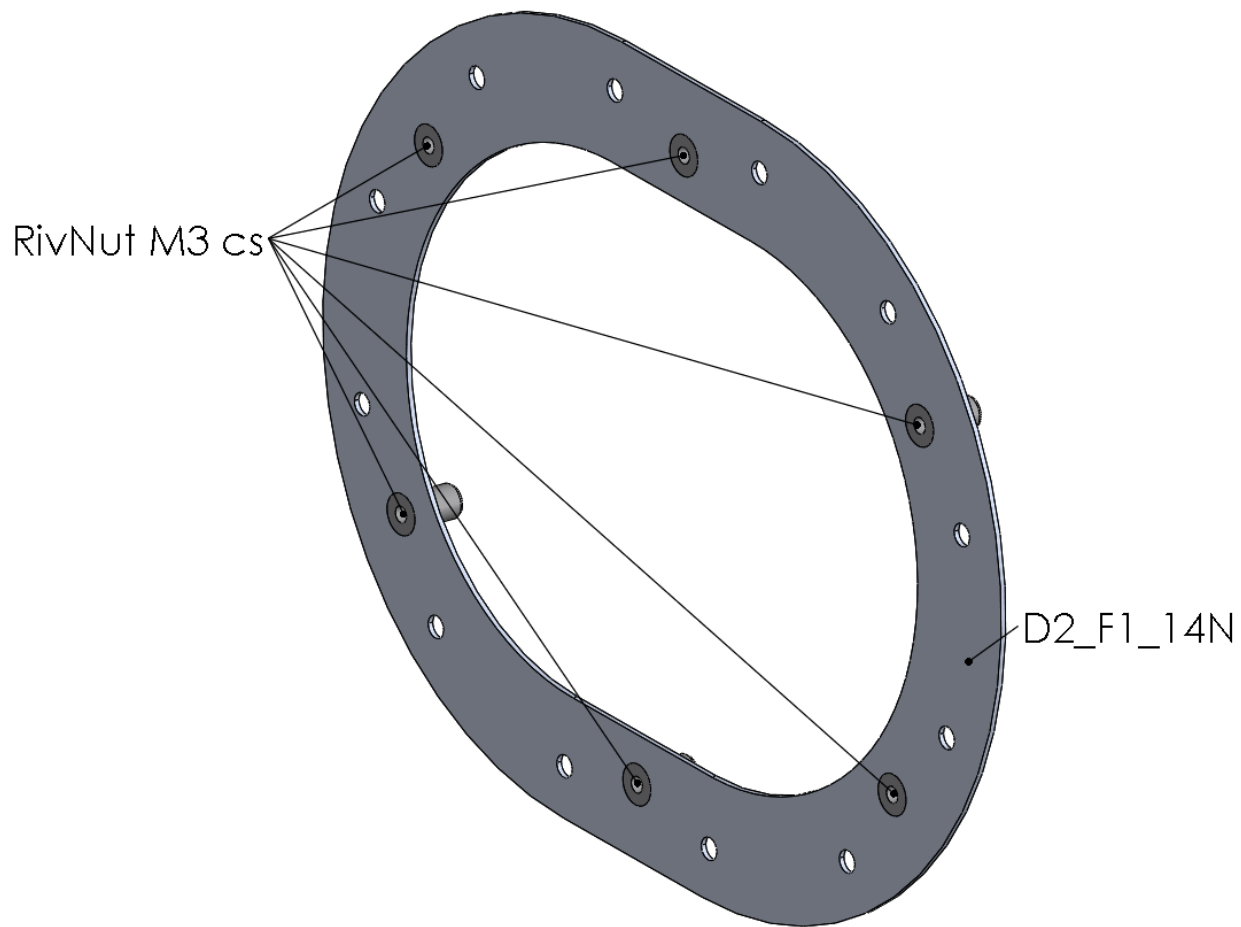
Step 47



Title	Document no.	Revision	Page	Pages
Fuselage assembly manual	D2_F0_00	Rev. 05	67	406



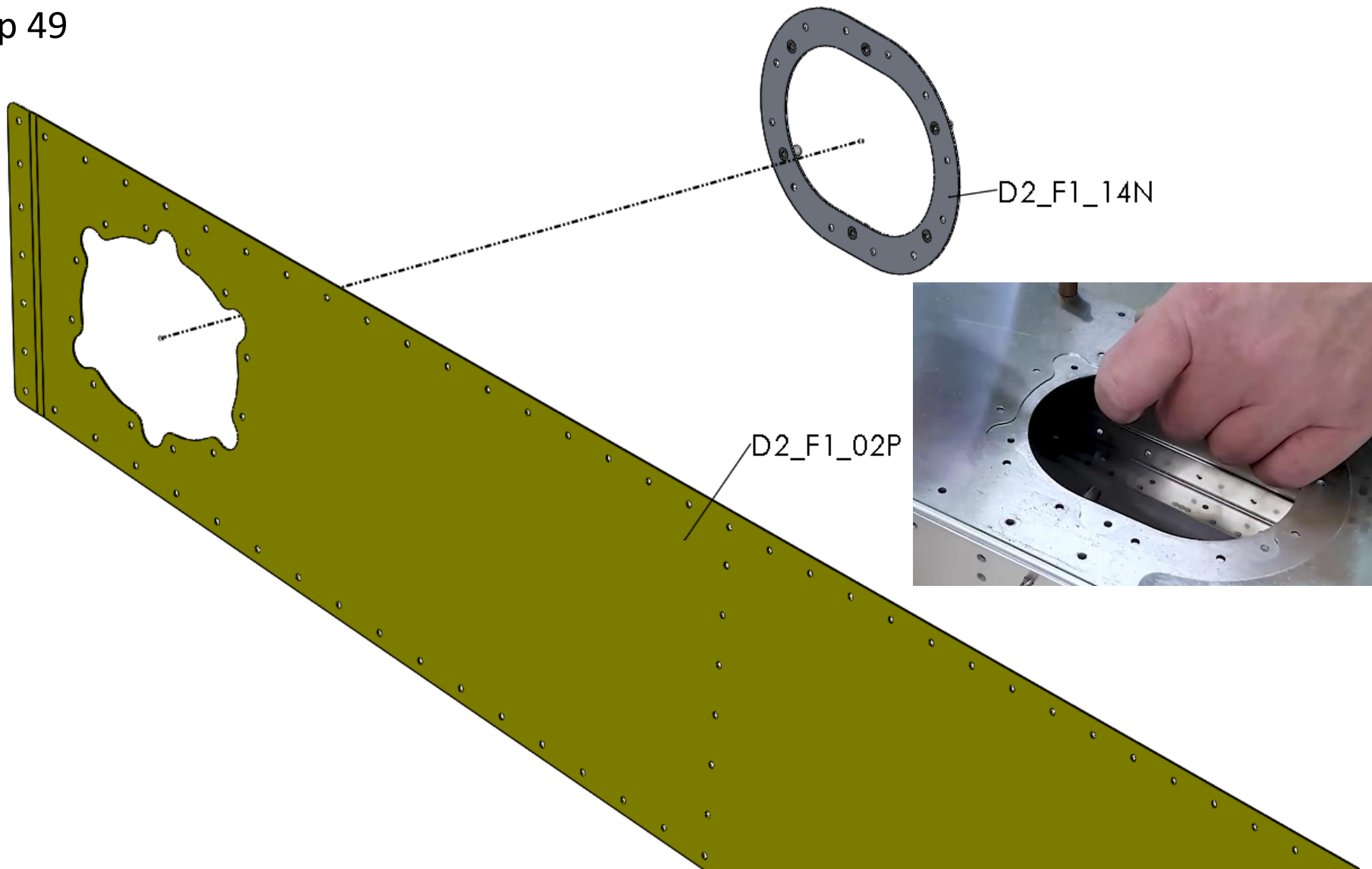
Step 48



Title	Document no.	Revision	Page	Pages
Fuselage assembly manual	D2_F0_00	Rev. 05	68	406



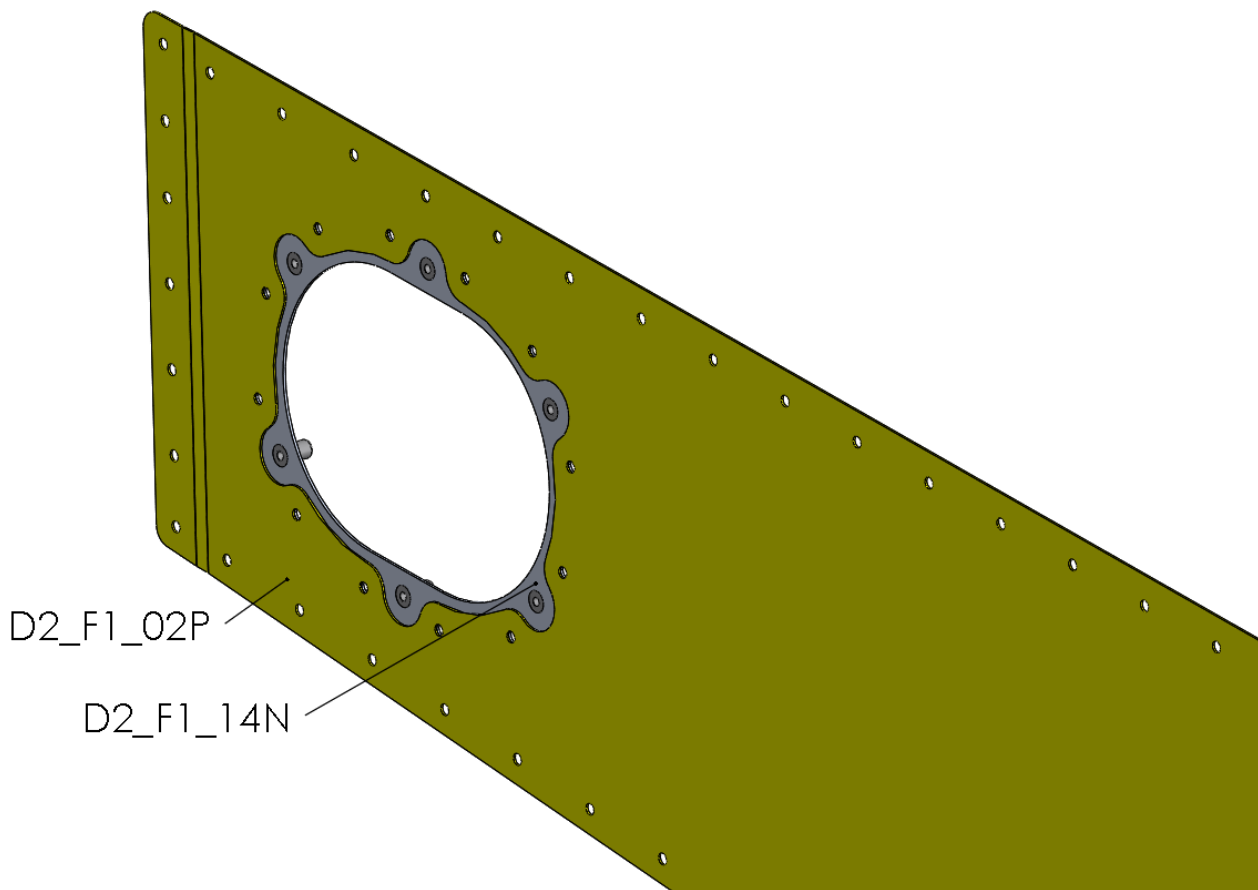
Step 49



Title	Document no.	Revision	Page	Pages
Fuselage assembly manual	D2_F0_00	Rev. 05	69	406



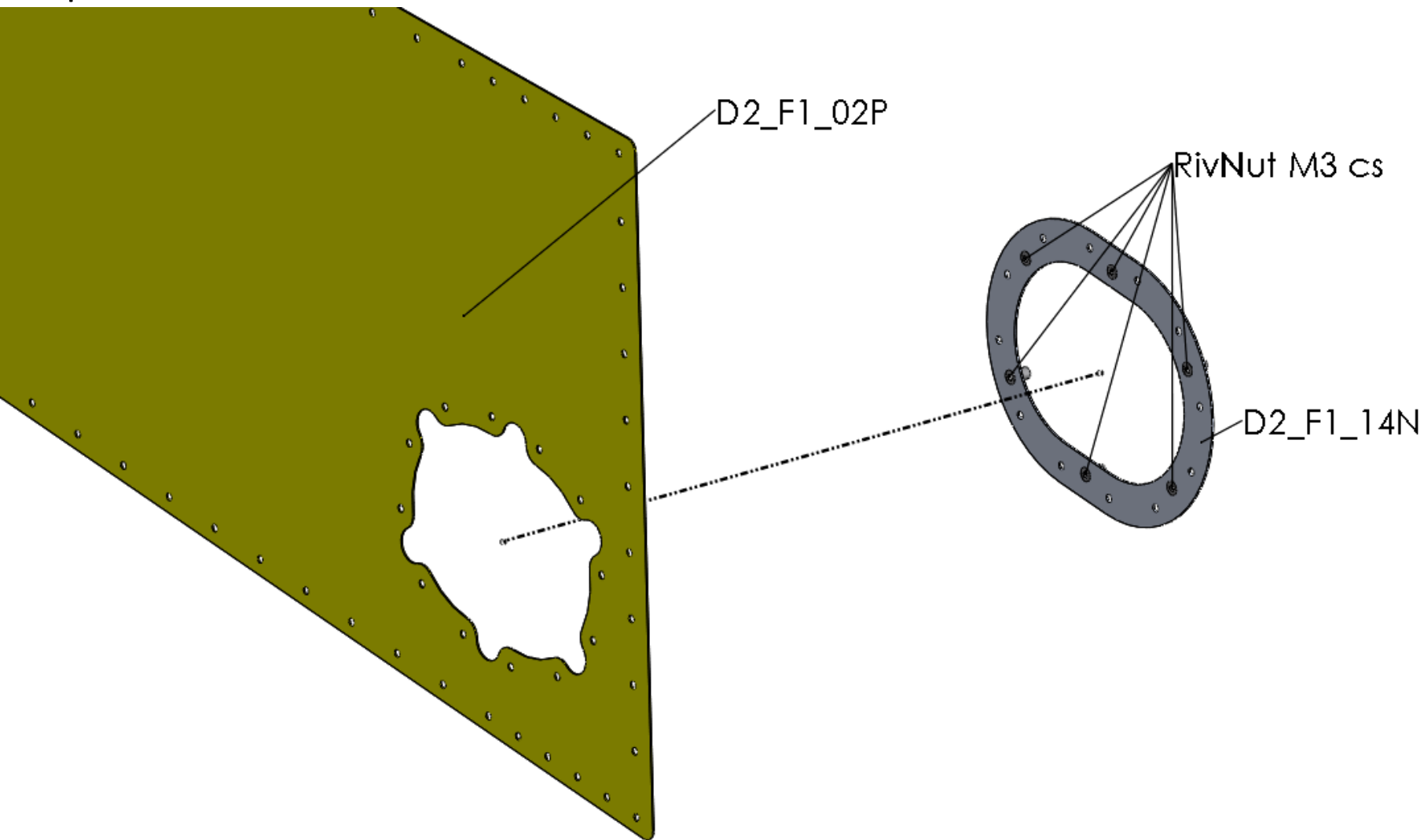
Step 50



Title	Document no.	Revision	Page	Pages
Fuselage assembly manual	D2_F0_00	Rev. 05	70	406



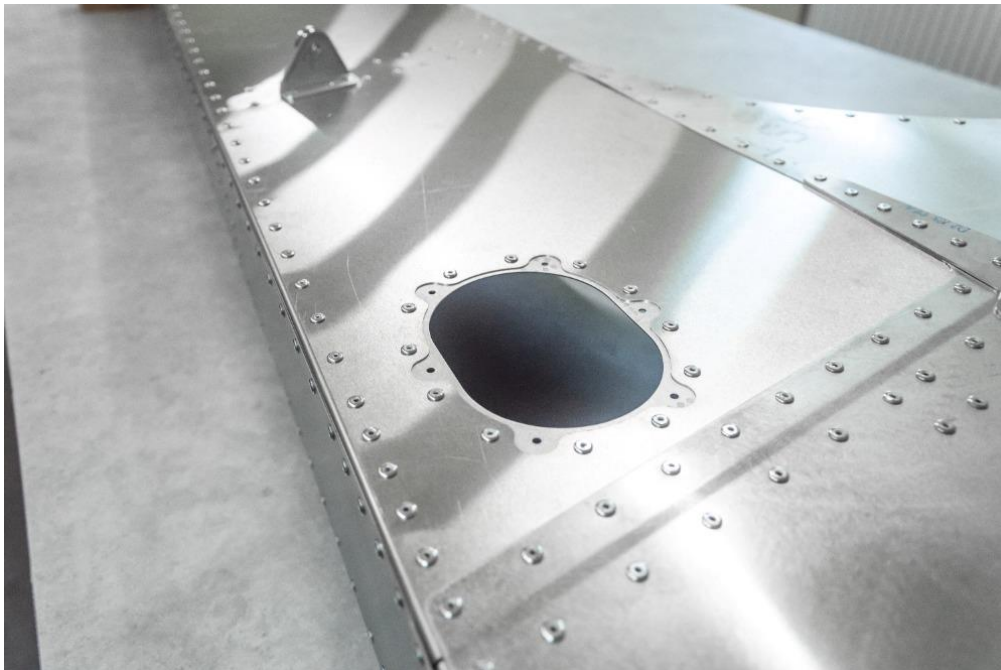
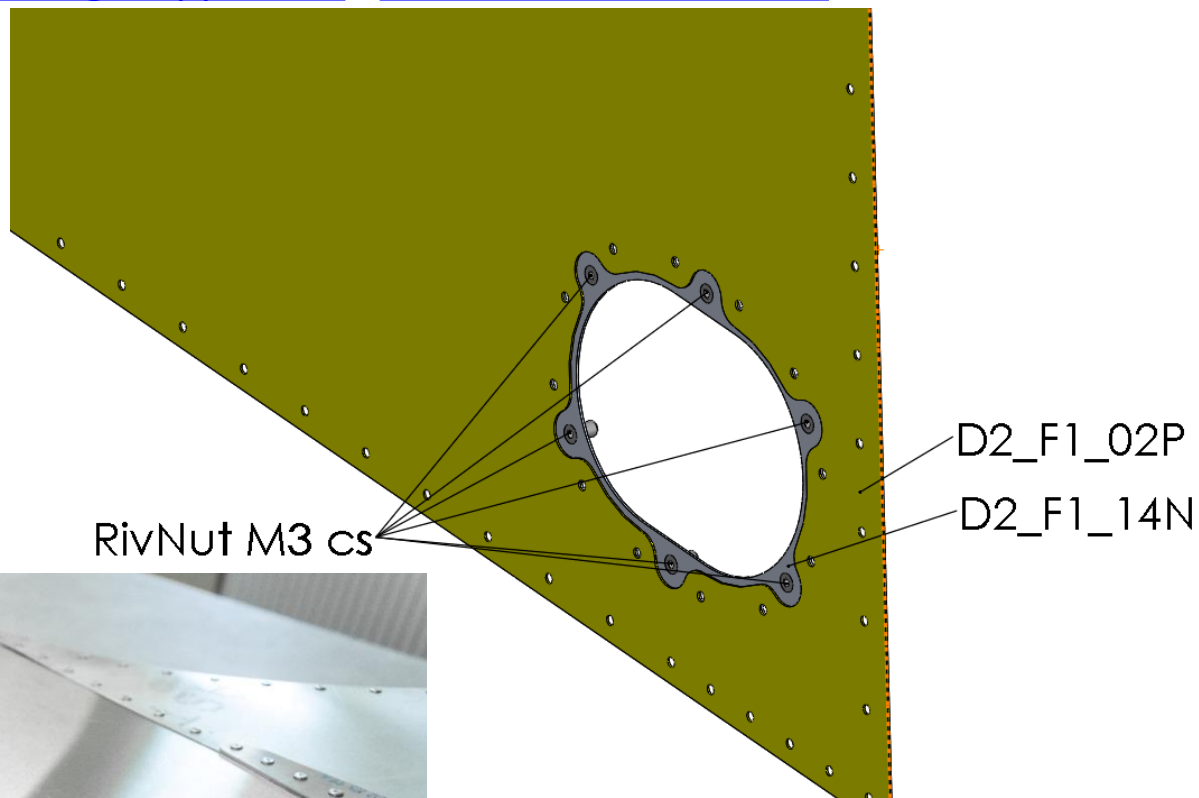
Step 51



Title	Document no.	Revision	Page	Pages
Fuselage assembly manual	D2_F0_00	Rev. 05	71	406



Step 52



Title	Document no.	Revision	Page	Pages
Fuselage assembly manual	D2_F0_00	Rev. 05	72	406



Step 53



Polyurethane adhesive
Emfimastic PU-50

D2_F1_14N

D2_F1_02P

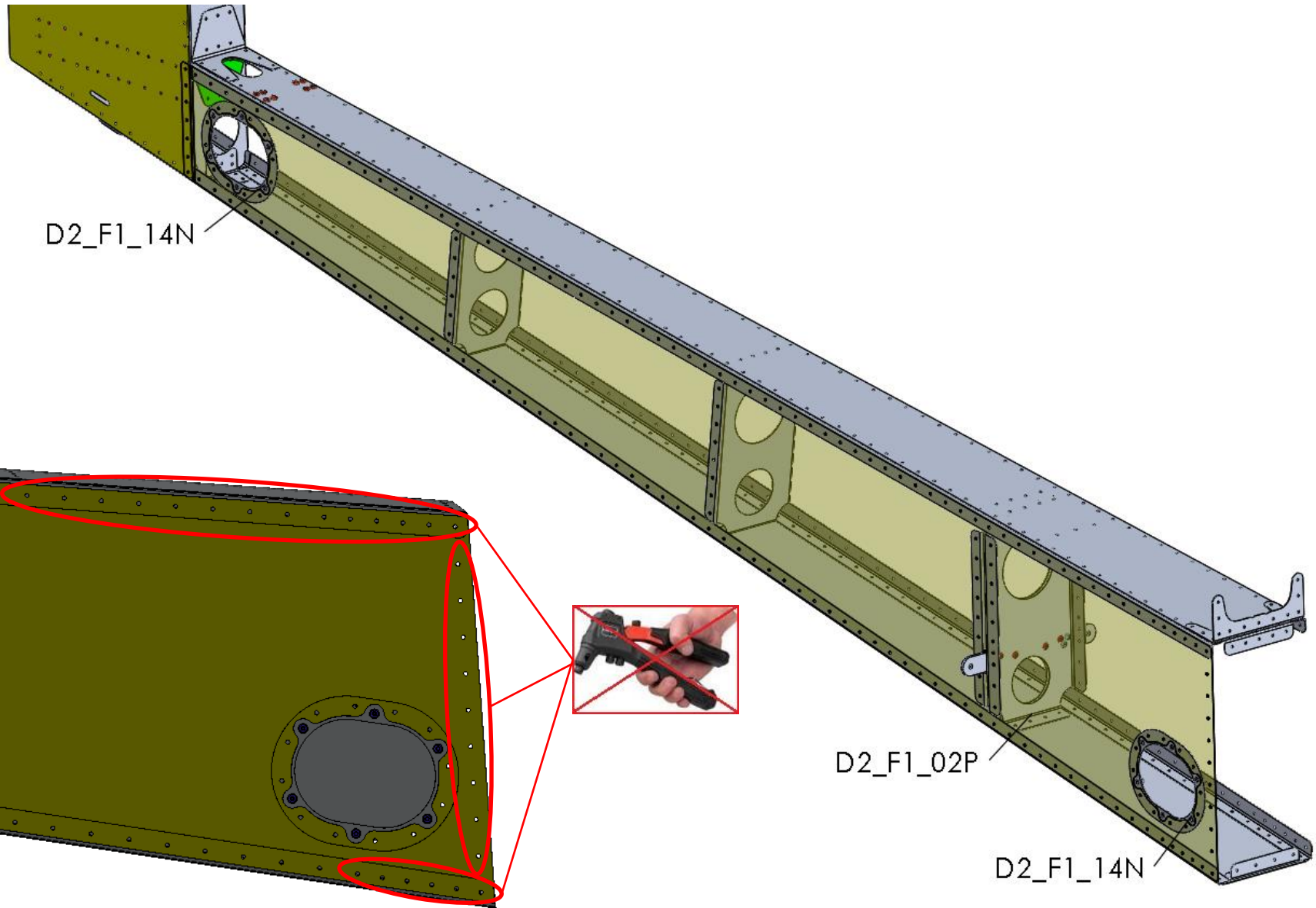
D2_F1_14N



Title	Document no.	Revision	Page	Pages
Fuselage assembly manual	D2_F0_00	Rev. 05	73	406



Step 54



D2_F1_14N

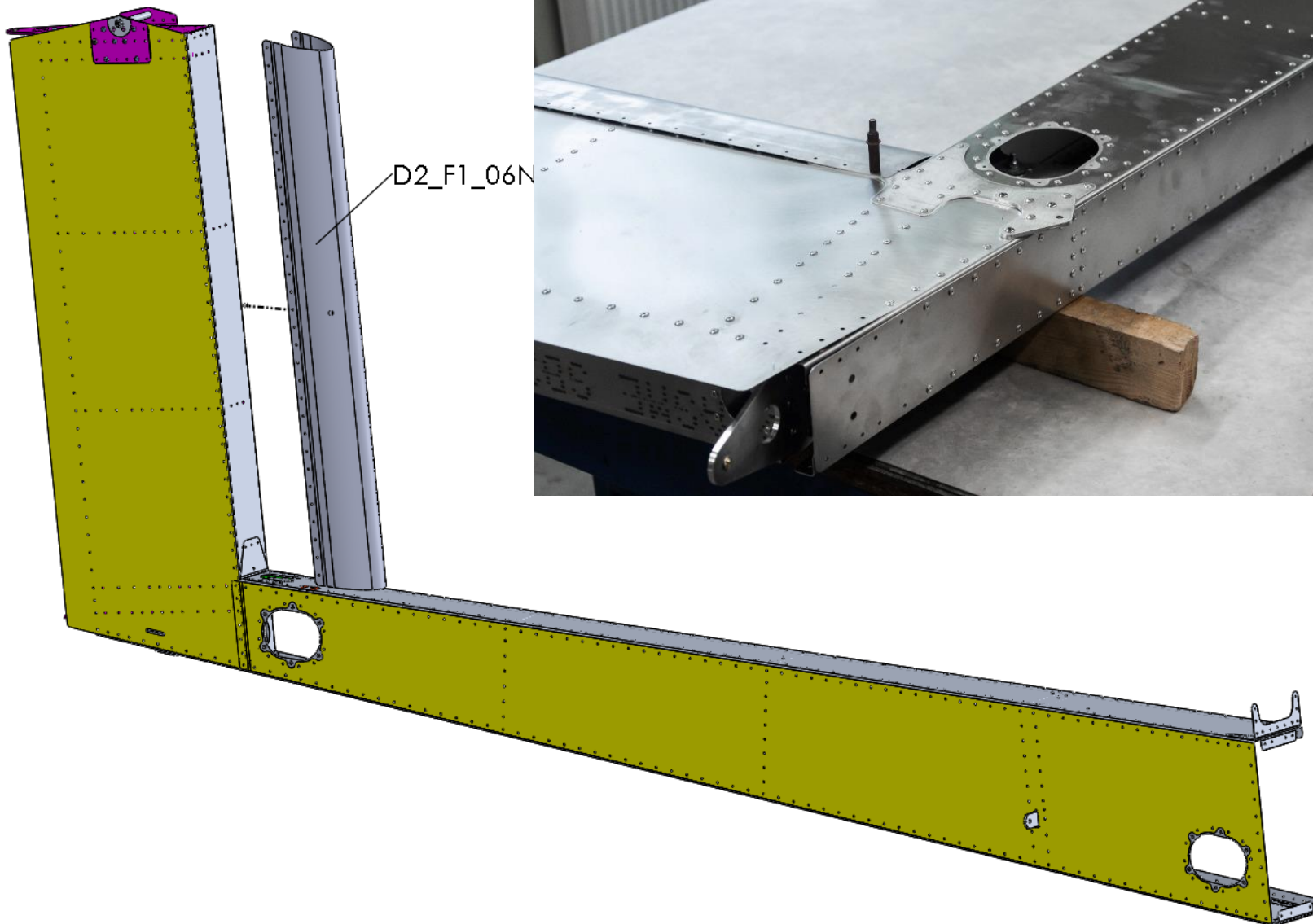
D2_F1_02P

D2_F1_14N

Title	Document no.	Revision	Page	Pages
Fuselage assembly manual	D2_F0_00	Rev. 05	74	406



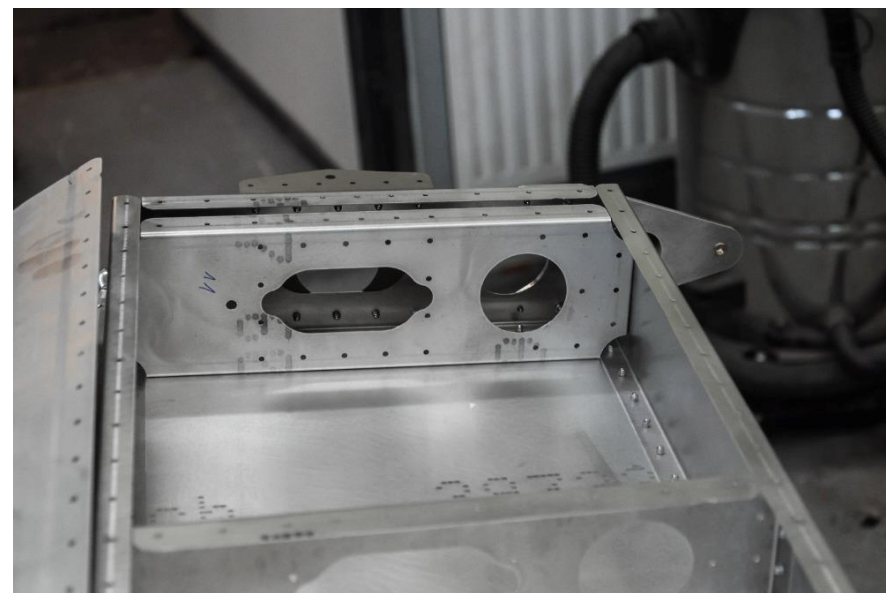
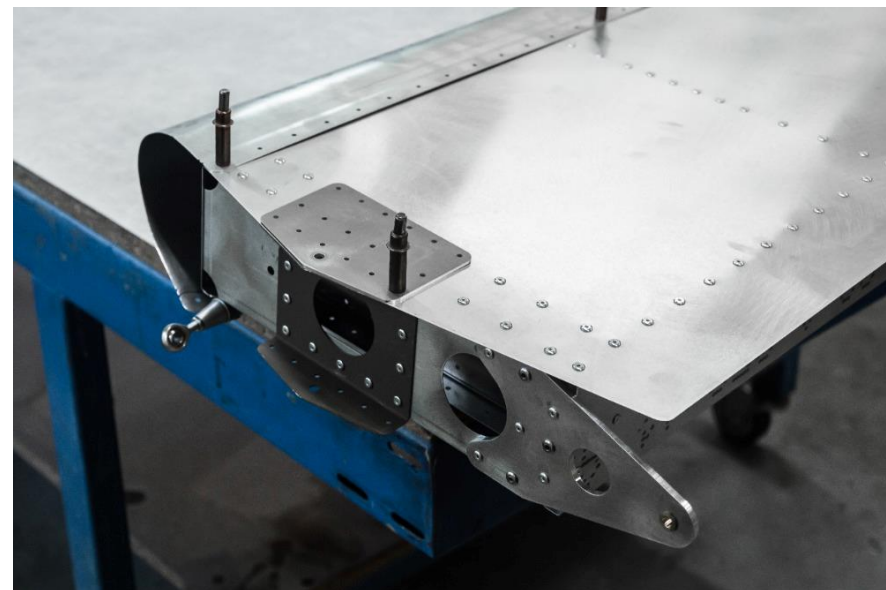
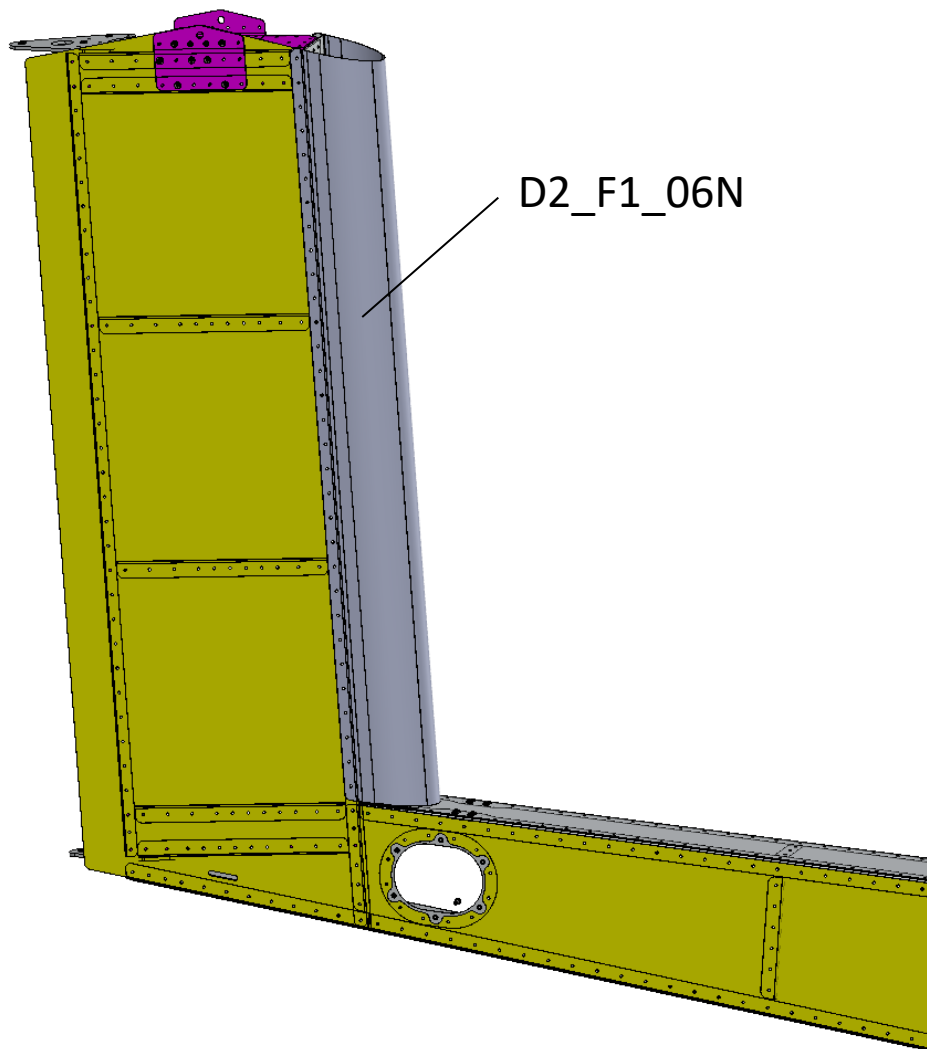
Step 55



Title	Document no.	Revision	Page	Pages
Fuselage assembly manual	D2_F0_00	Rev. 05	75	406



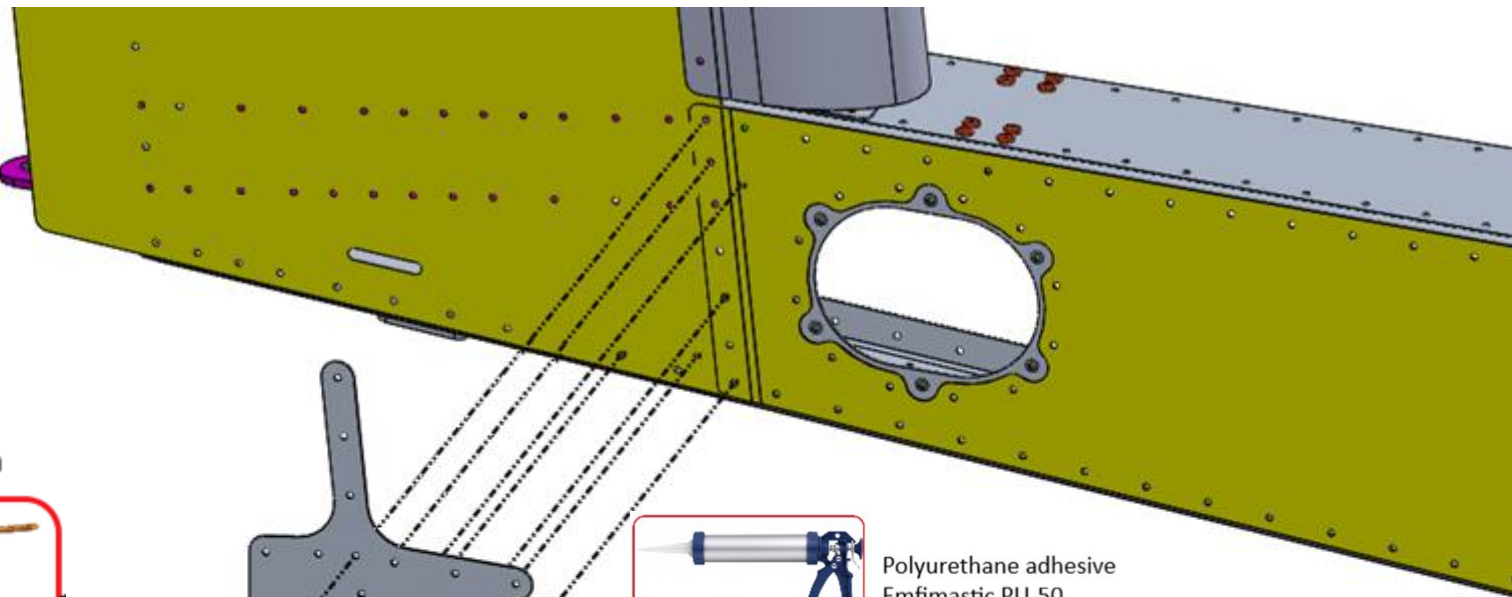
Step 56



Title	Document no.	Revision	Page	Pages
Fuselage assembly manual	D2_F0_00	Rev. 05	76	406



Step 57



5x

Hole Ø4mm



Polyurethane adhesive
Emfimastic PU-50

Rivet INOX 4 x10

D2_F1_27N

D2_F1_26N



Polyurethane adhesive
Emfimastic PU-50

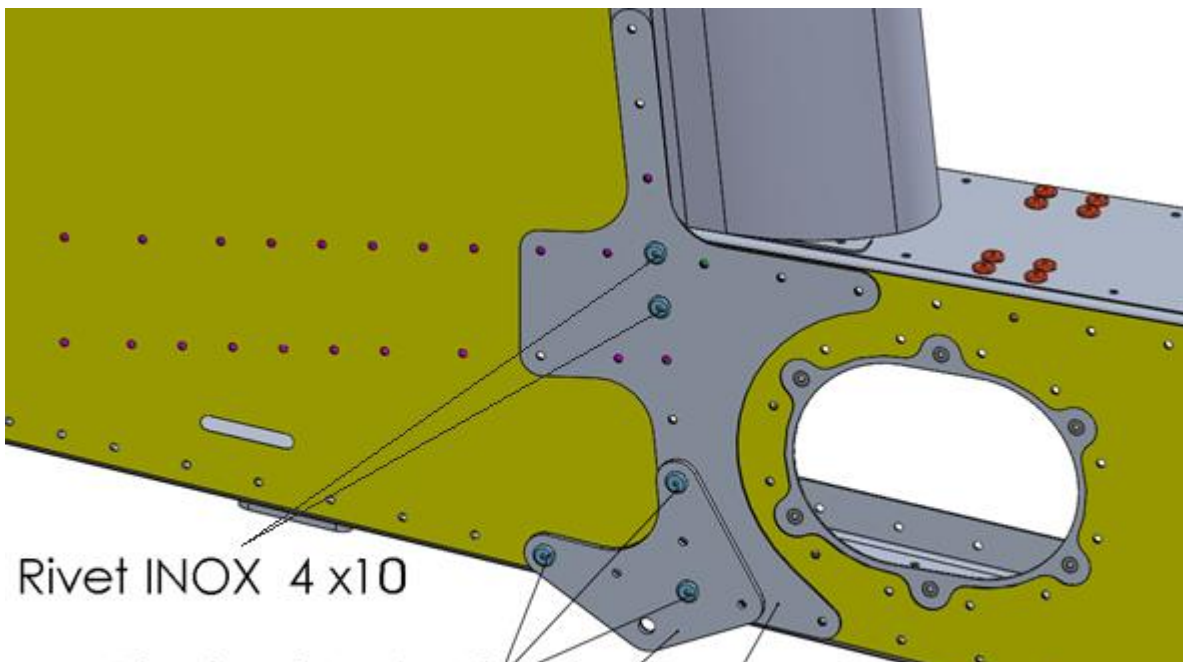
Rivet INOX 4 x12



Title	Document no.	Revision	Page	Pages
Fuselage assembly manual	D2_F0_00	Rev. 05	77	406



Step 58



Rivet INOX 4 x10

Rivet INOX 4 x12

D2_F1_26N

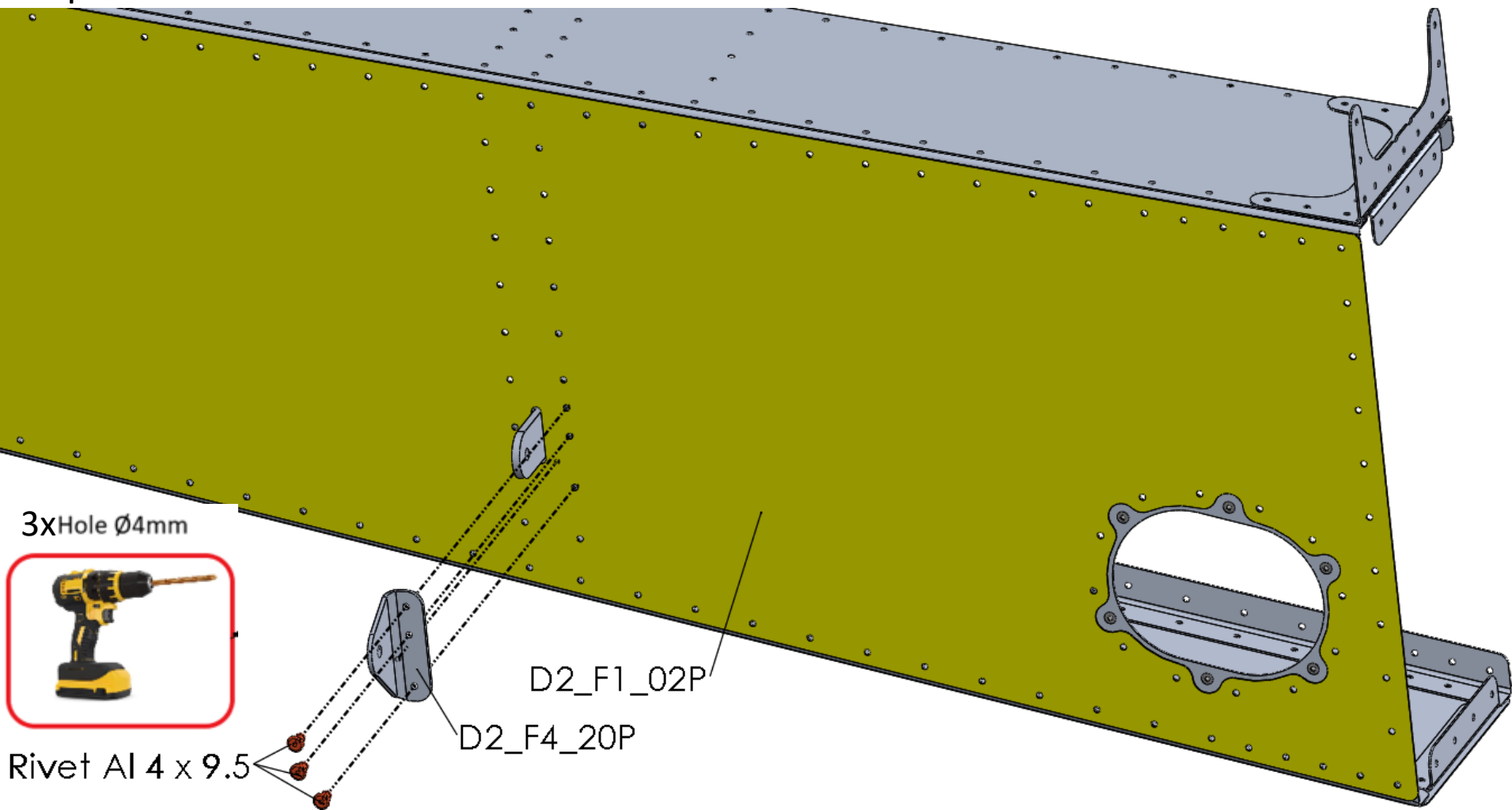
D2_F1_27N



Title	Document no.	Revision	Page	Pages
Fuselage assembly manual	D2_F0_00	Rev. 05	78	406



Step 59

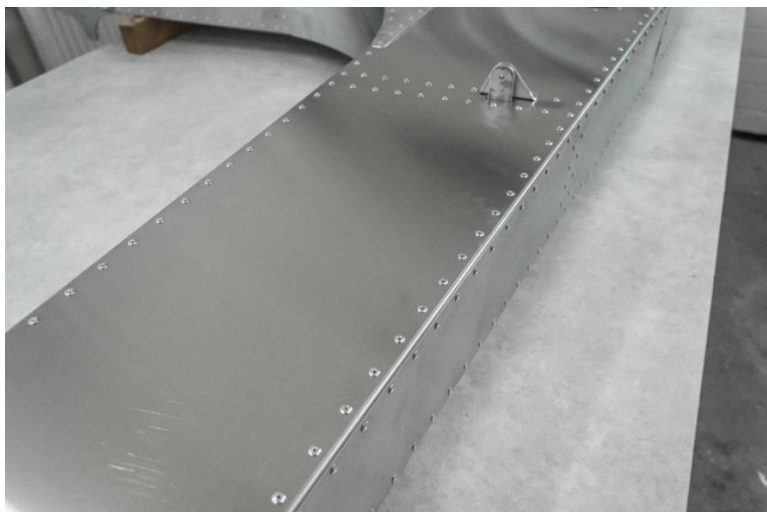
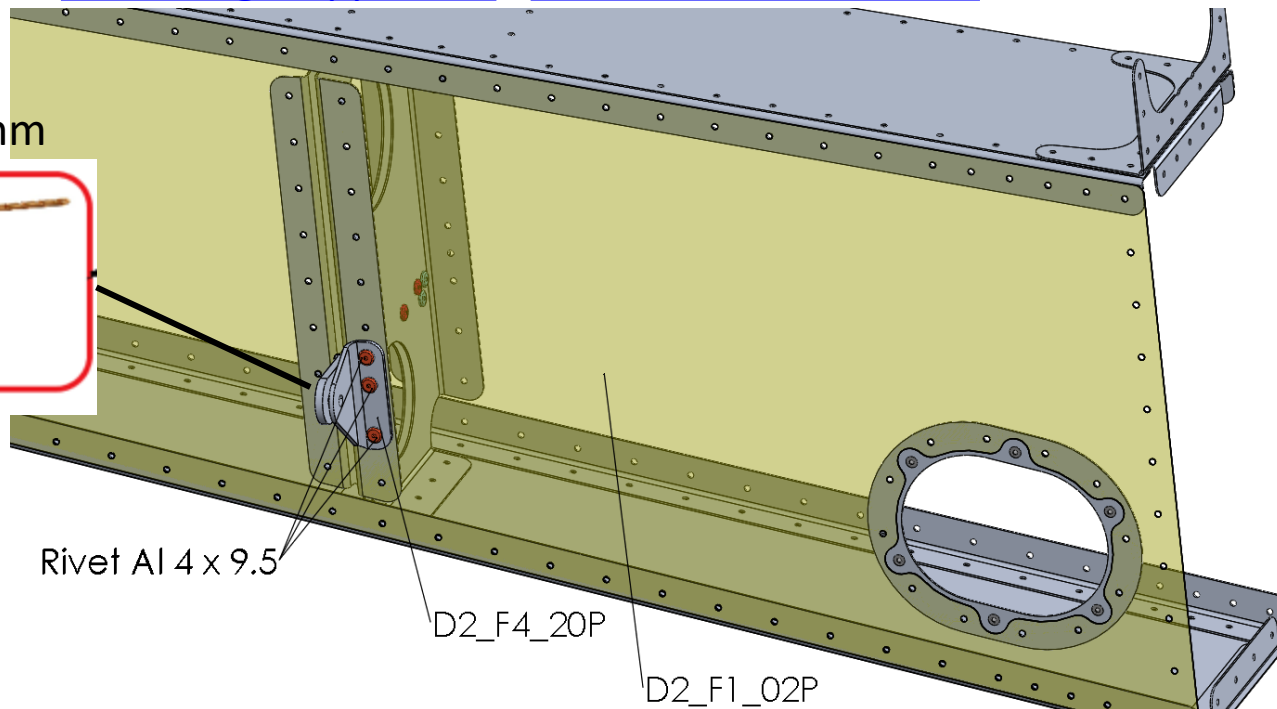


Title	Document no.	Revision	Page	Pages
Fuselage assembly manual	D2_F0_00	Rev. 05	79	406



Step 60

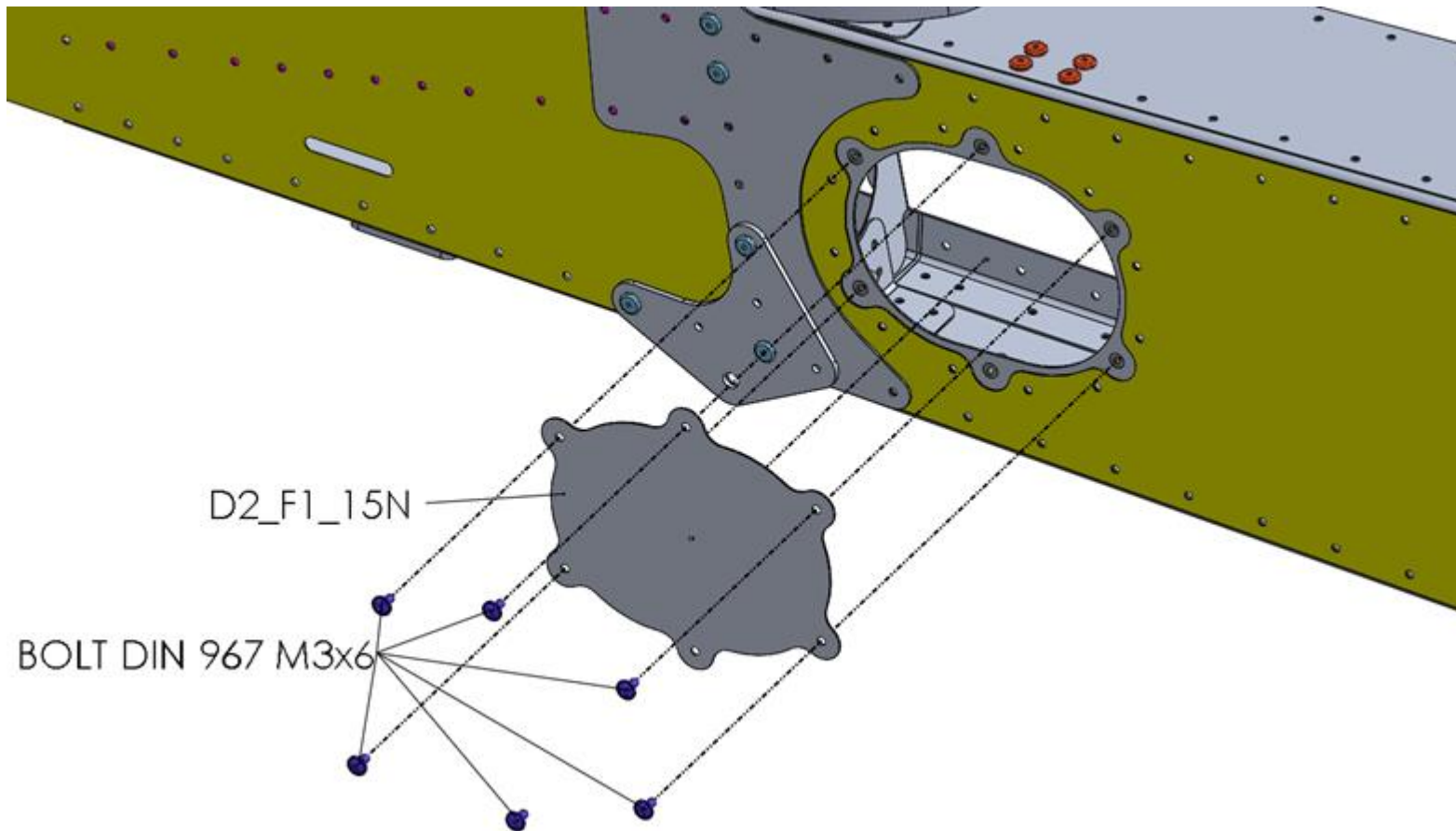
Hole 6mm



Title	Document no.	Revision	Page	Pages
Fuselage assembly manual	D2_F0_00	Rev. 05	80	406



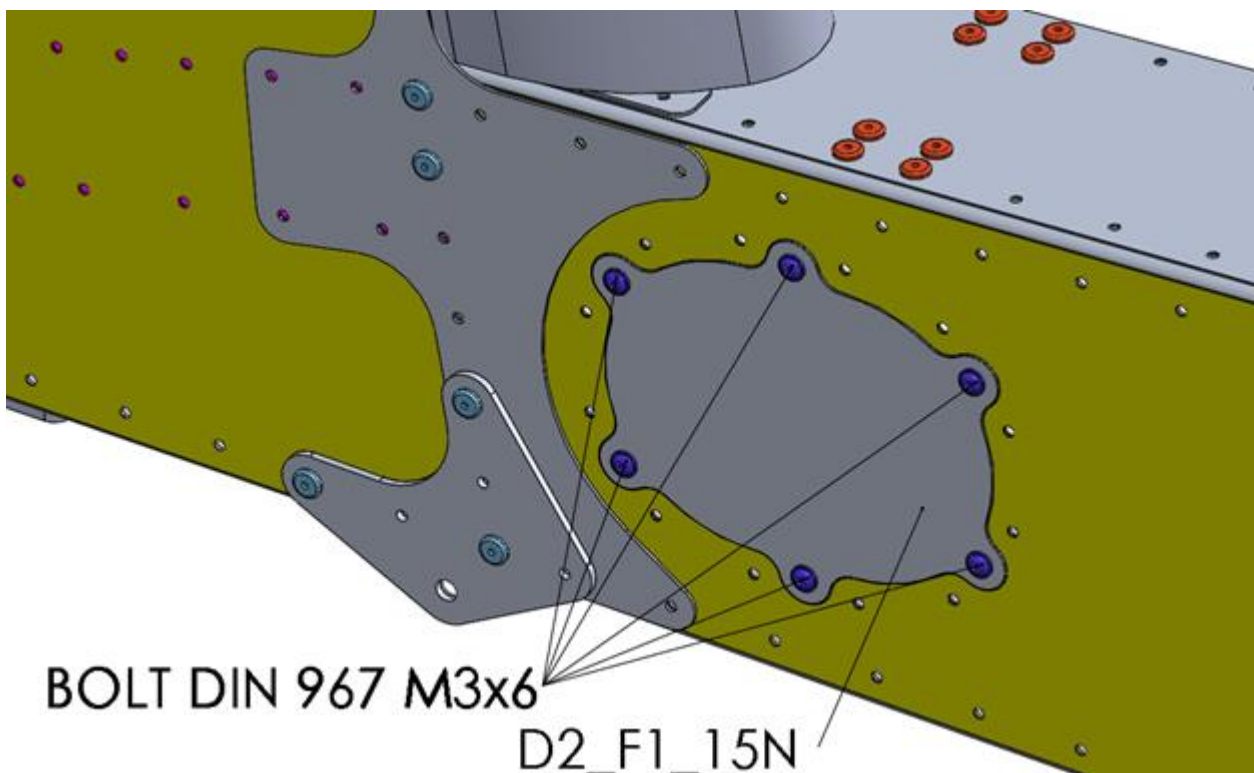
Step 61



Title	Document no.	Revision	Page	Pages
Fuselage assembly manual	D2_F0_00	Rev. 05	81	406



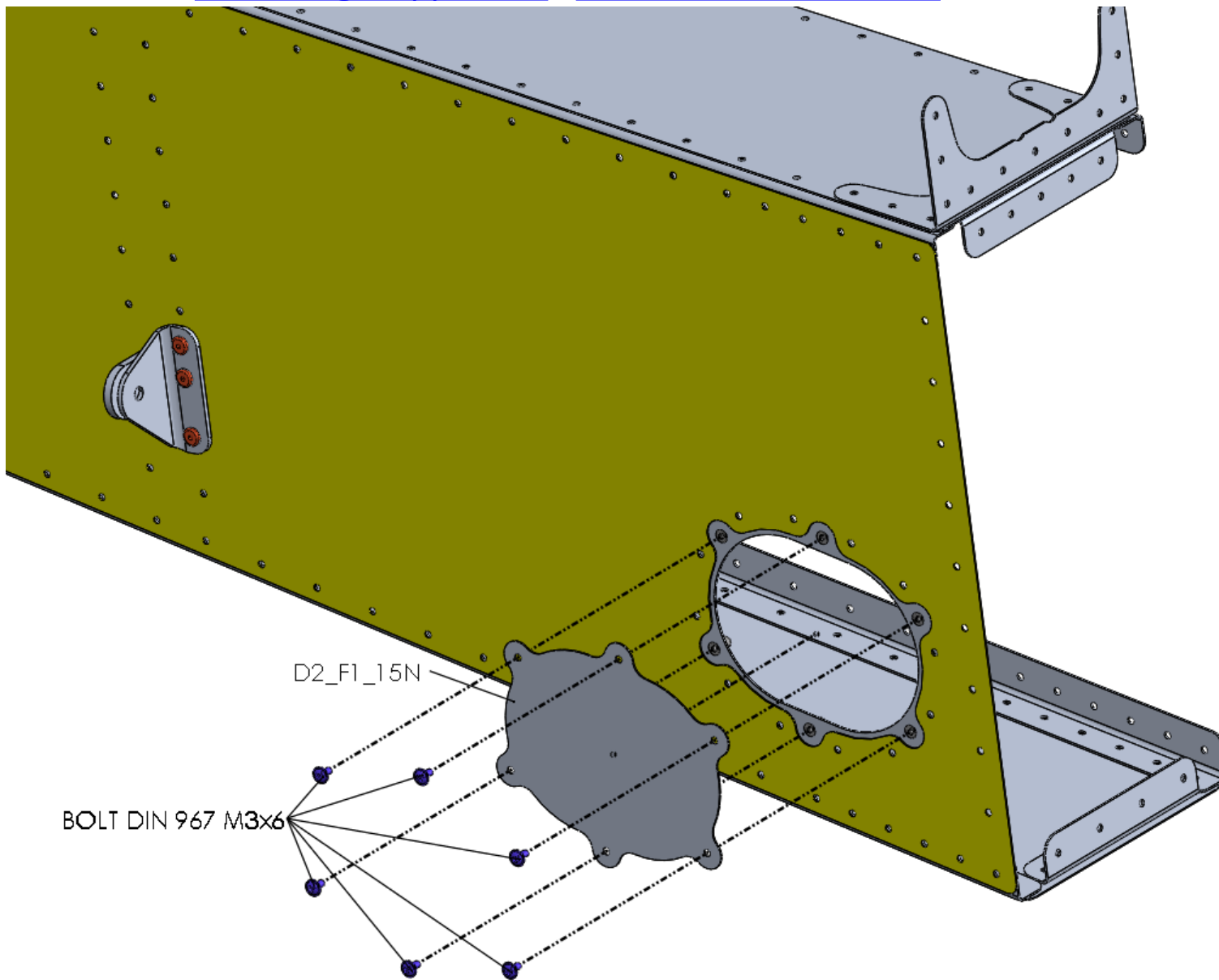
Step 62



Title	Document no.	Revision	Page	Pages
Fuselage assembly manual	D2_F0_00	Rev. 05	82	406



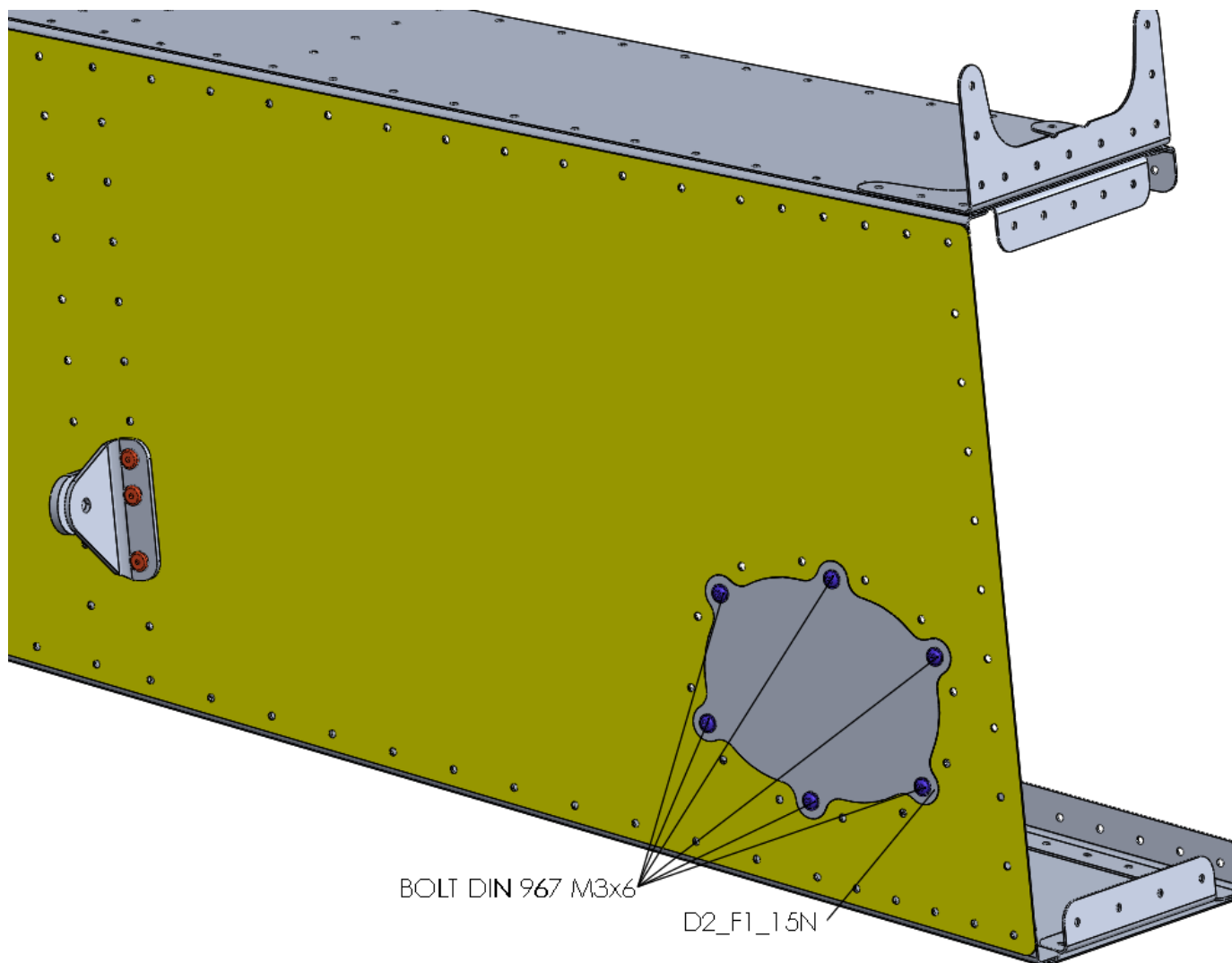
Step 63



Title	Document no.	Revision	Page	Pages
Fuselage assembly manual	D2_F0_00	Rev. 05	83	406



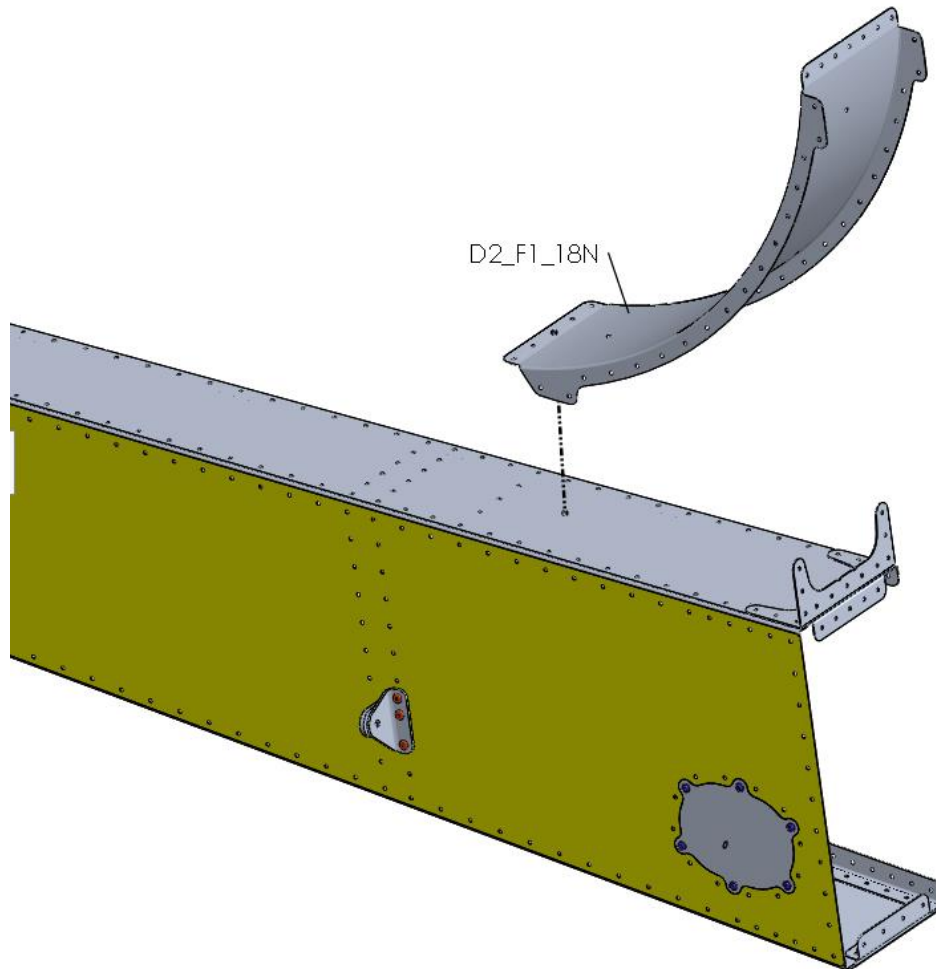
Step 64



Title	Document no.	Revision	Page	Pages
Fuselage assembly manual	D2_F0_00	Rev. 05	84	406



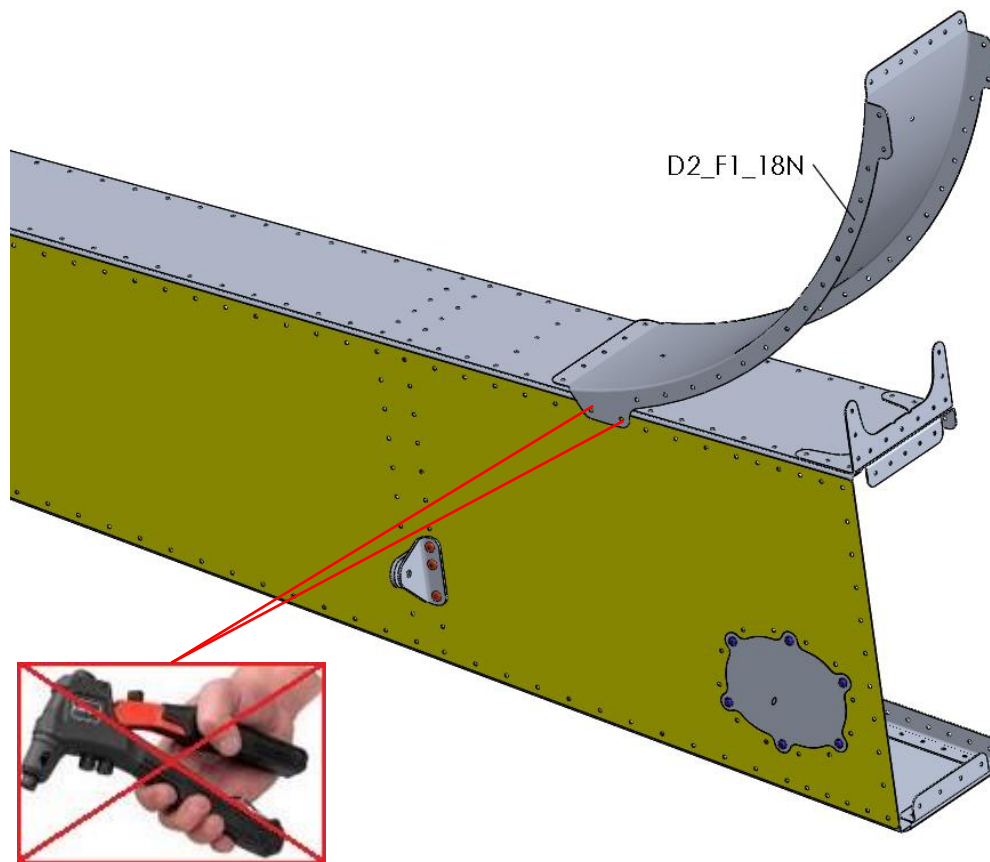
Step 65



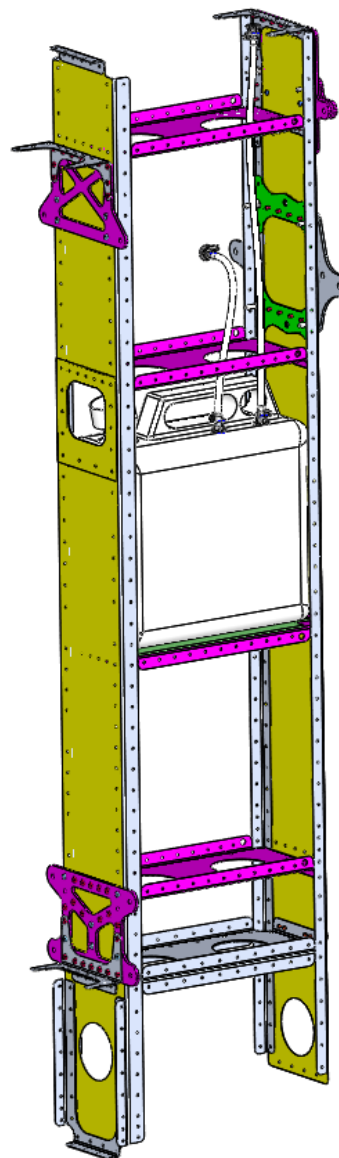
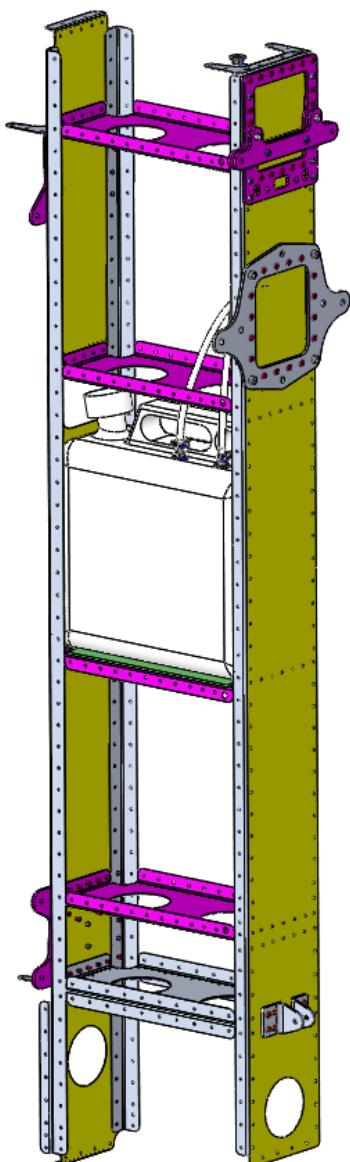
Title	Document no.	Revision	Page	Pages
Fuselage assembly manual	D2_F0_00	Rev. 05	85	406



Step 66



Title	Document no.	Revision	Page	Pages
Fuselage assembly manual	D2_F0_00	Rev. 05	86	406

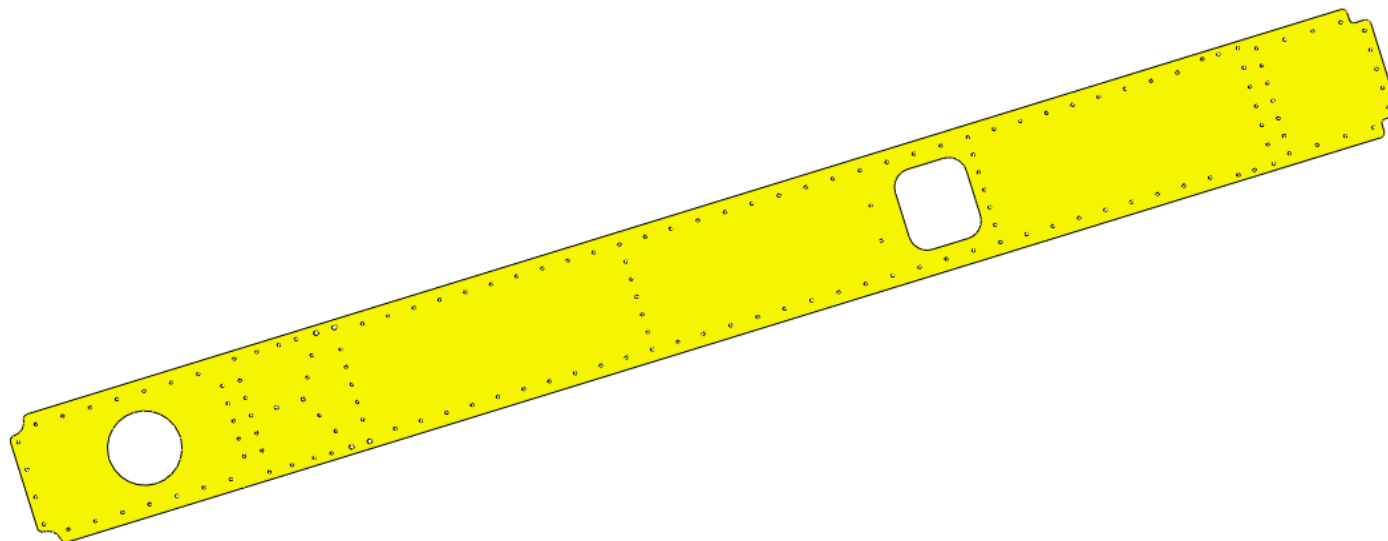


Title	Document no.	Revision	Page	Pages
Fuselage assembly manual	D2_F0_00	Rev. 05	87	406



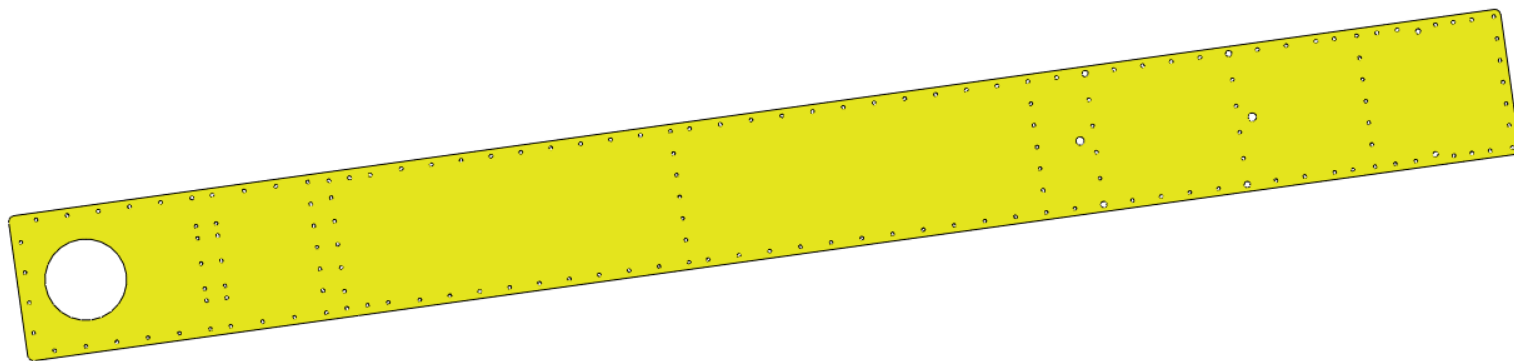
Detail:D2_F1_10N

Quantity: 1



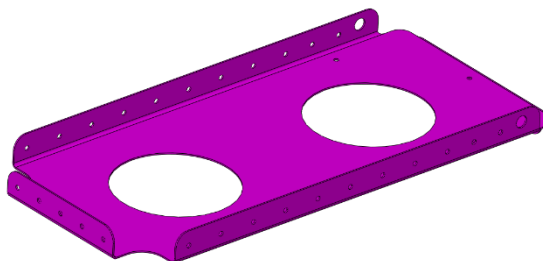
Detail:D2_F1_11N

Quantity: 1



Detail:D2_F2_05N

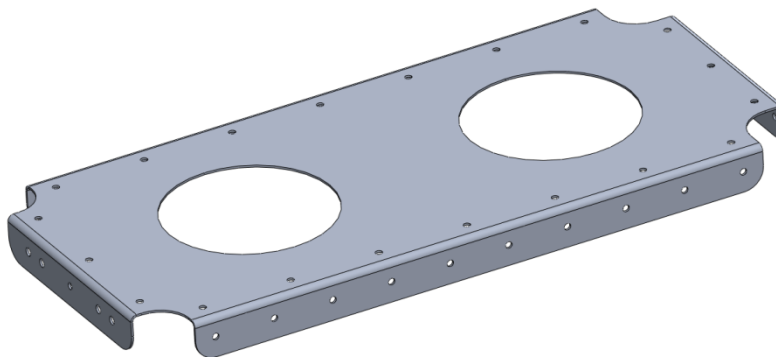
Quantity: 4



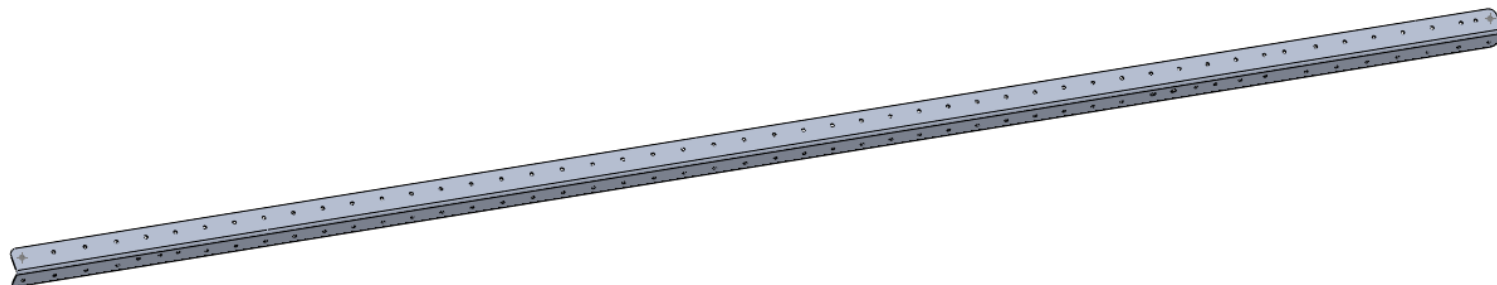
Title	Document no.	Revision	Page	Pages
Fuselage assembly manual	D2_F0_00	Rev. 05	88	406



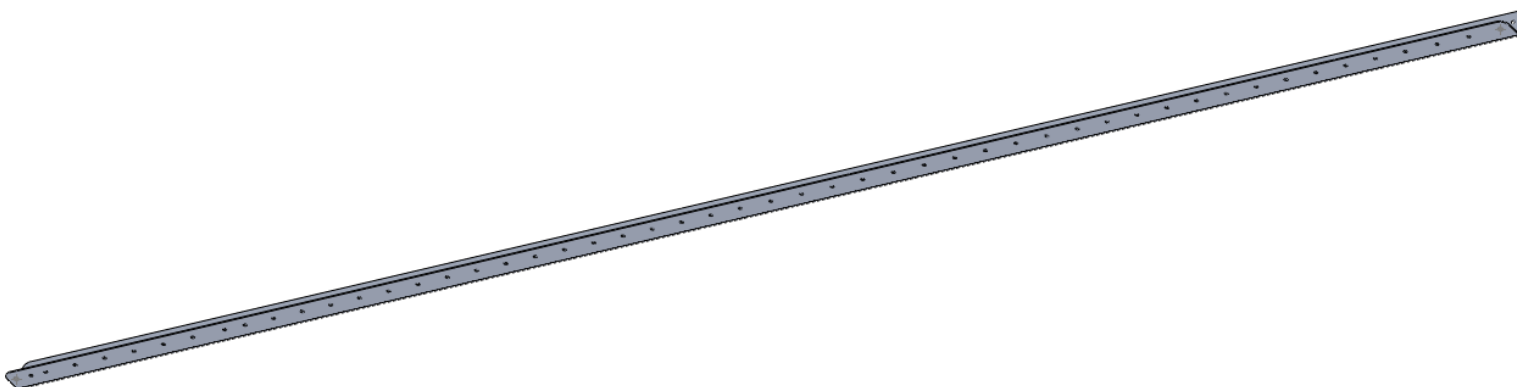
Detail:D2_F2_12N
Quantity: 2



Detail:D2_F3_05L
Quantity: 1



Detail:D2_F3_05P
Quantity: 1



Title	Document no.	Revision	Page	Pages
Fuselage assembly manual	D2_F0_00	Rev. 05	89	406



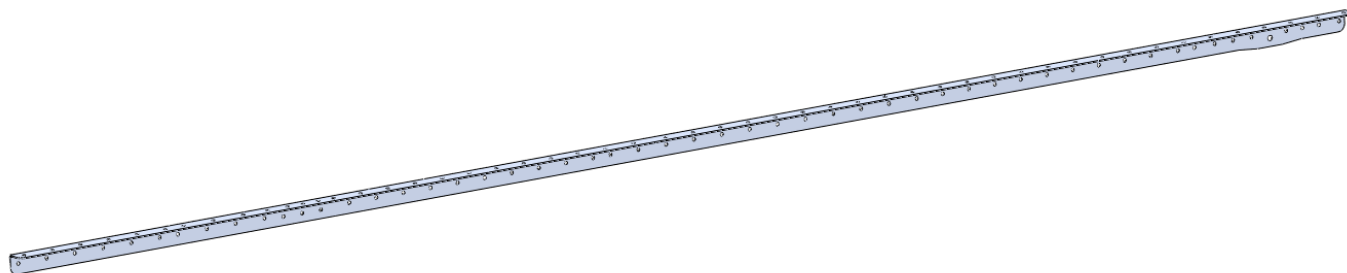
Detail:D2_F3_06L

Quantity: 1



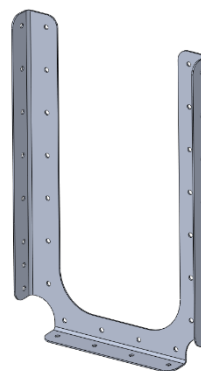
Detail:D2_F3_06P

Quantity: 2



Detail:D2_F3_11N

Quantity: 1

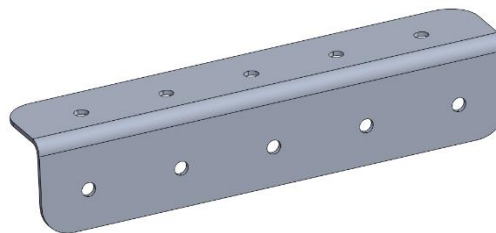


Title	Document no.	Revision	Page	Pages
Fuselage assembly manual	D2_F0_00	Rev. 05	90	406



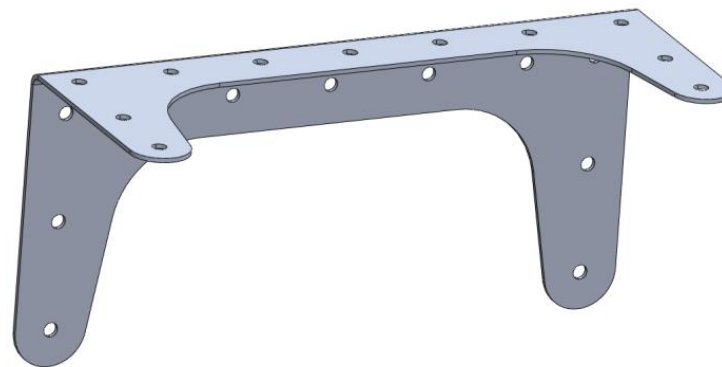
Detail:D2_F3_13N

Quantity: 1



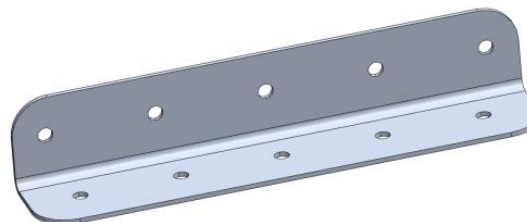
Detail:D2_F3_16N

Quantity: 2



Detail:D2_F3_17N

Quantity: 2

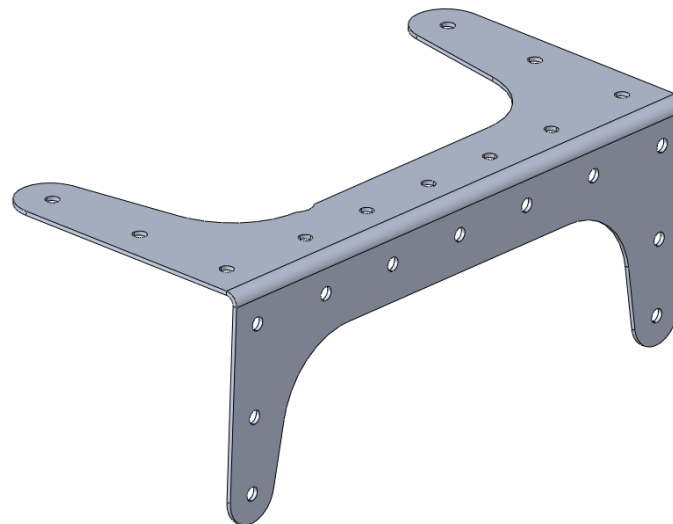


Title	Document no.	Revision	Page	Pages
Fuselage assembly manual	D2_F0_00	Rev. 05	91	406



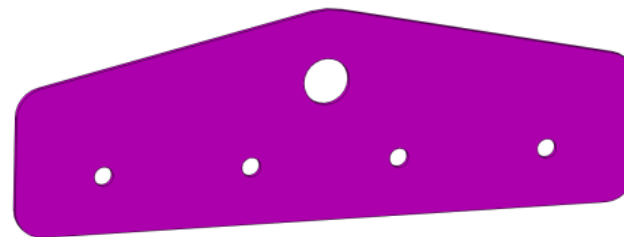
Detail:D2_F3_20N

Quantity: 2



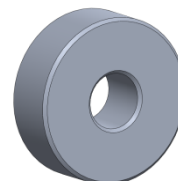
Detail:D2_F3_26N

Quantity: 2



Detail:D2_F4_03N

Quantity: 4

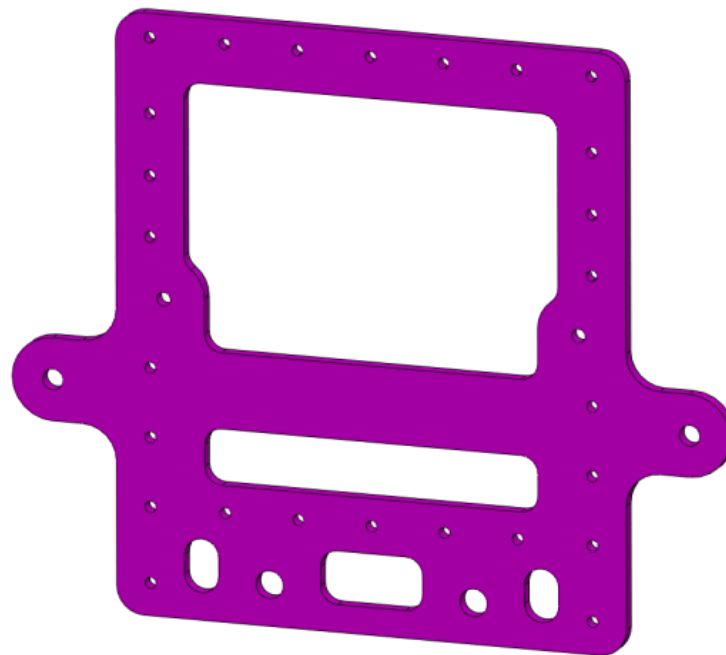


Title	Document no.	Revision	Page	Pages
Fuselage assembly manual	D2_F0_00	Rev. 05	92	406



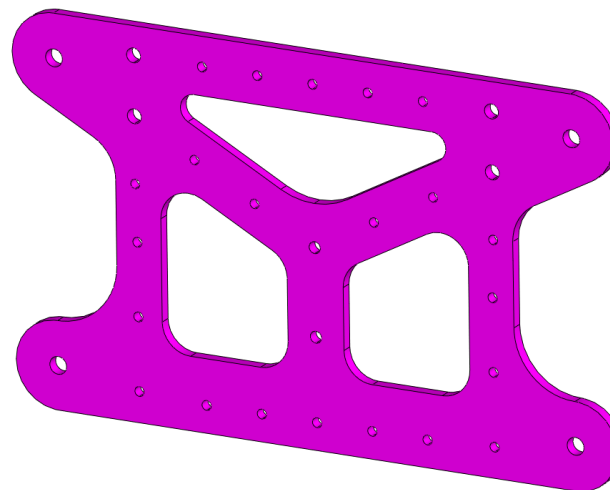
Detail:D2_F4_04N

Quantity: 1



Detail:D2_F4_05N

Quantity: 1

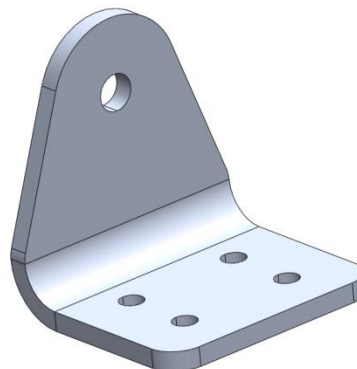


Title	Document no.	Revision	Page	Pages
Fuselage assembly manual	D2_F0_00	Rev. 05	93	406



Detail: D2_F4_17N

Quantity: 2



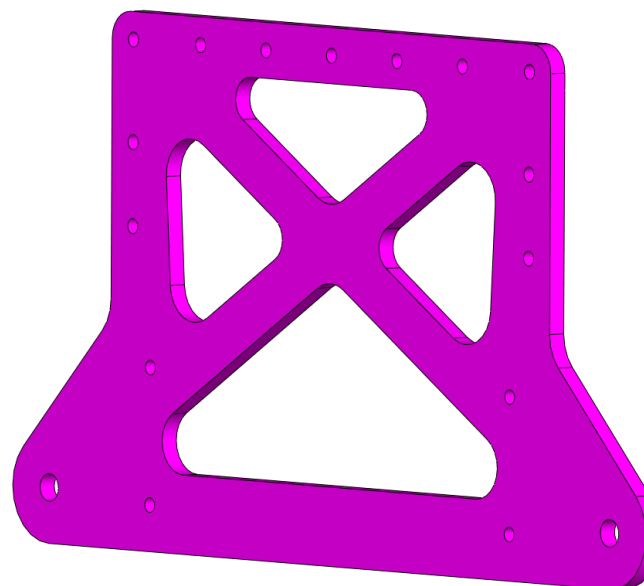
Detail:D2_F4_22N

Quantity: 1



Detail:D2_F4_26N

Quantity: 1

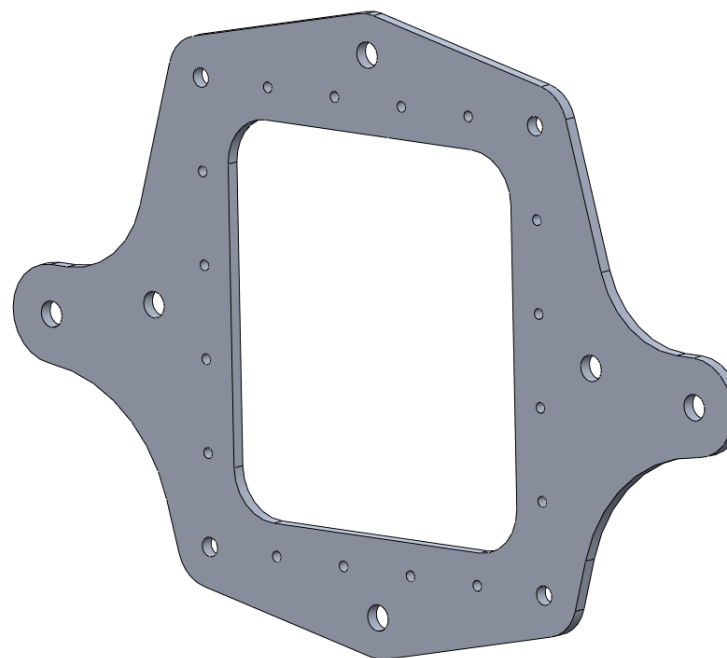


Title	Document no.	Revision	Page	Pages
Fuselage assembly manual	D2_F0_00	Rev. 05	94	406



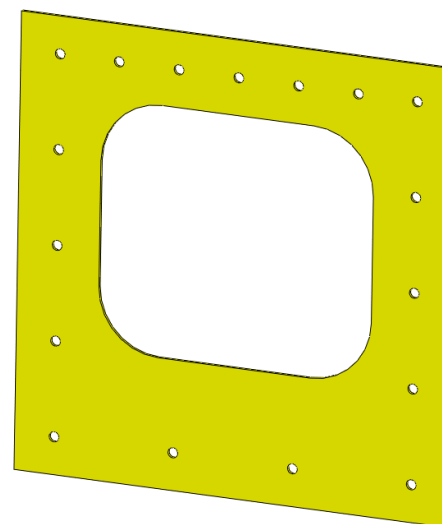
Detail:D2_F4_27N

Quantity: 1



Detail:D2_F4_29N

Quantity: 1

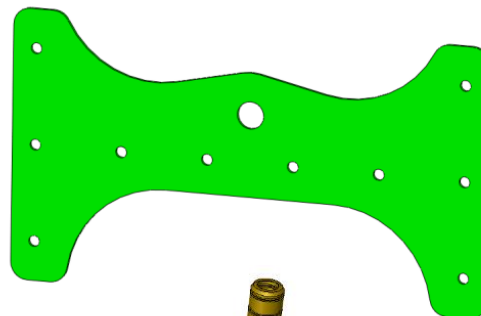


Title	Document no.	Revision	Page	Pages
Fuselage assembly manual	D2_F0_00	Rev. 05	95	406



Detail:D2_F4_32N

Quantity: 2



Detail: D2_F5_04N

Quantity: 1



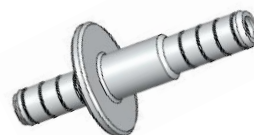
Detail: D2_F5_10N

Quantity: 2



Detail: D2_F5_02N

Quantity: 2



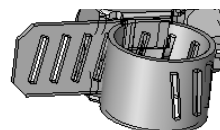
Detail: D2_F5_05N

Quantity: 1



Detail: Hose clamp

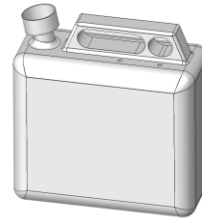
Quantity: 5



Title	Document no.	Revision	Page	Pages
Fuselage assembly manual	D2_F0_00	Rev. 05	96	406



Detail: Canister Stihl
Quantity: 1



Detail: DIN 9021 Washer M8
Quantity: 2



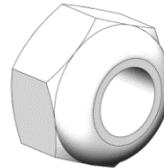
Detail: DIN 125 Washer M5
Quantity: 2



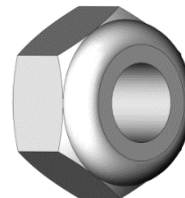
Detail: DIN 125 Washer M6
Quantity: 4



Detail: DIN 985 M5 Nylock Nut
Quantity: 2



Detail: DIN 985 M6 Nylock Nut
Quantity: 4

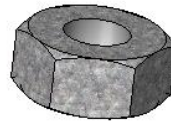


Title	Document no.	Revision	Page	Pages
Fuselage assembly manual	D2_F0_00	Rev. 05	97	406



Detail: DIN 934 Nut M8

Quantity: 2



Detail: Fuel line 1

Quantity: 1



Detail: Fuel line 2

Quantity: 1



Detail: Fuel line 3

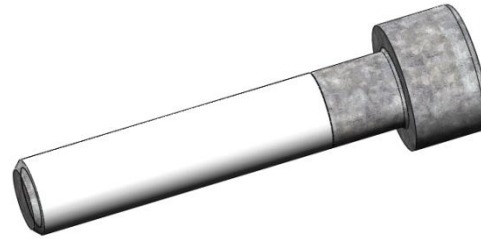
Quantity: 1



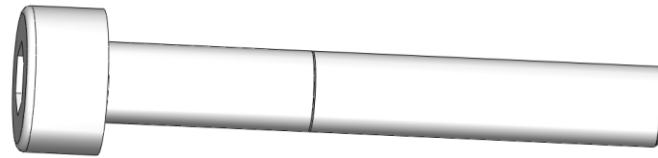
Title	Document no.	Revision	Page	Pages
Fuselage assembly manual	D2_F0_00	Rev. 05	98	406



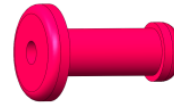
Detail: Bolt DIN 912 M6x35
Quantity: 4



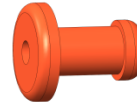
Detail: Bolt DIN 912 M5x40
Quantity: 2



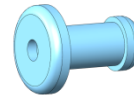
Detail: Rivet Al 4 x 12.7
Quantity: 67



Detail: Rivet Al 4 x 9.5
Quantity: 8



Detail: Rivet INOX 4 x12
Quantity: 18



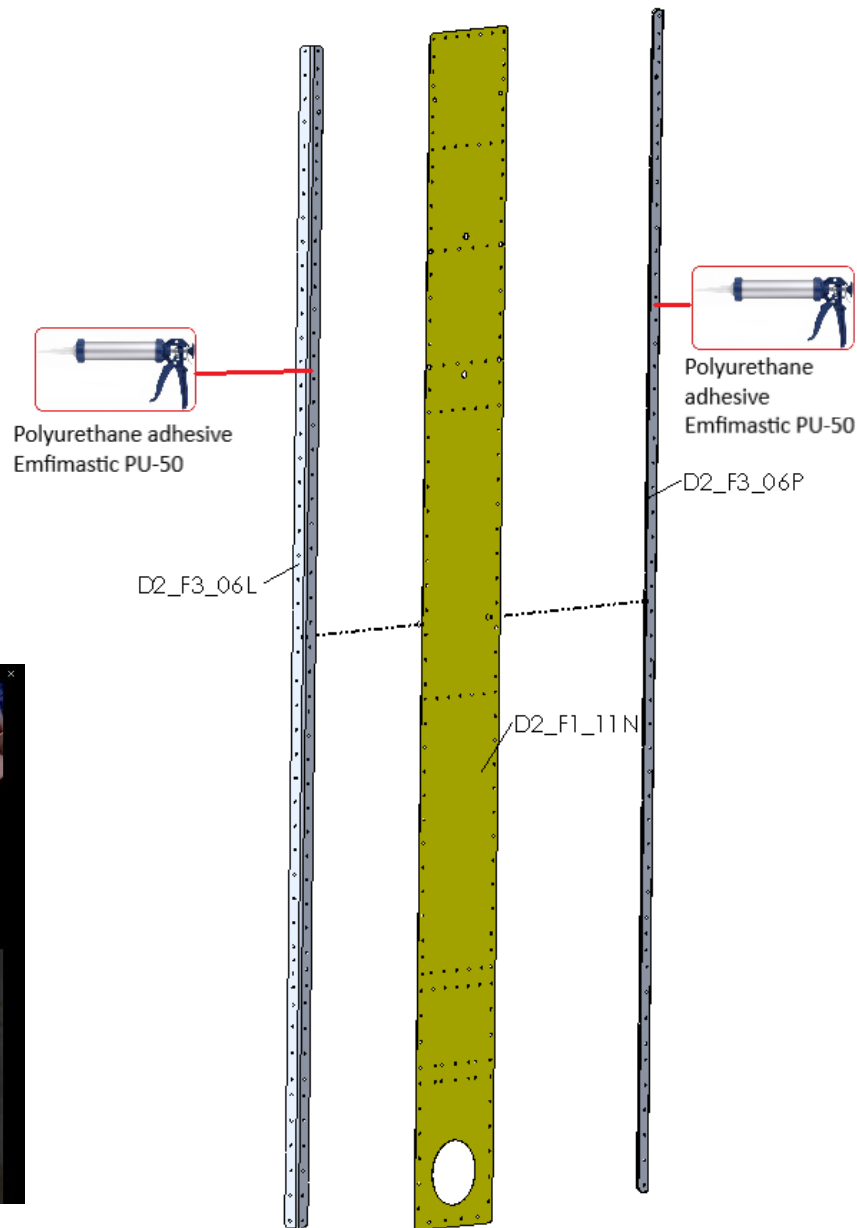
Detail: Rivet INOX FTR 4,9 x 20
Quantity: 2



Title	Document no.	Revision	Page	Pages
Fuselage assembly manual	D2_F0_00	Rev. 05	99	406



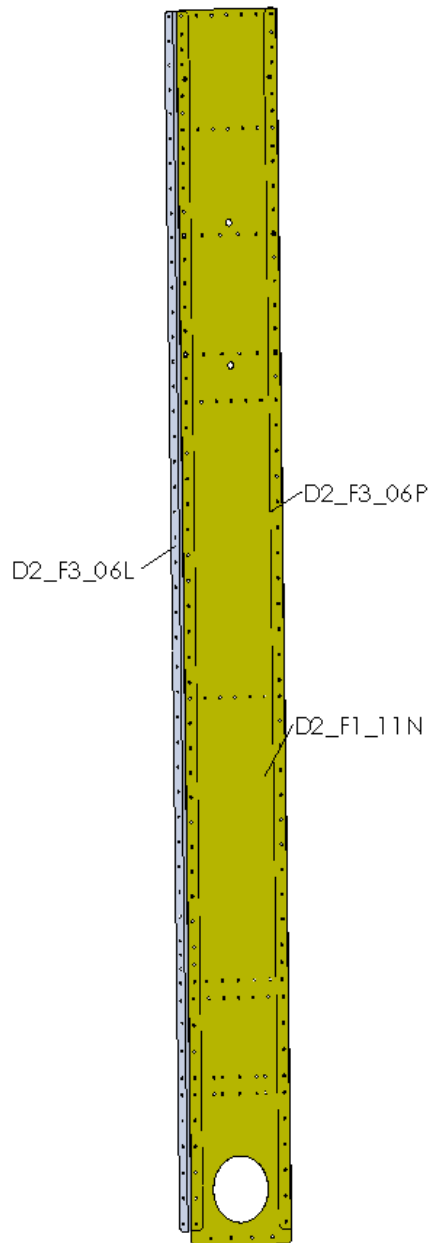
Step 1



Title	Document no.	Revision	Page	Pages
Fuselage assembly manual	D2_F0_00	Rev. 05	100	406



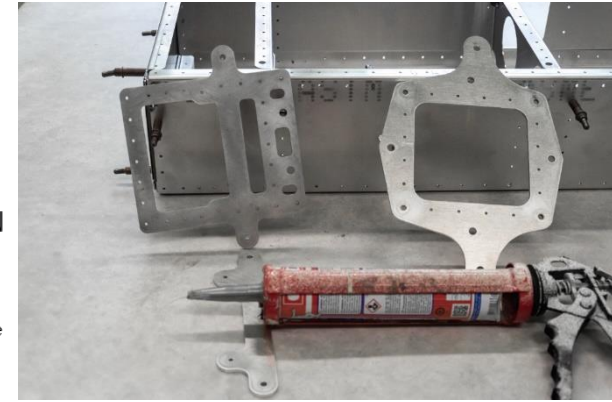
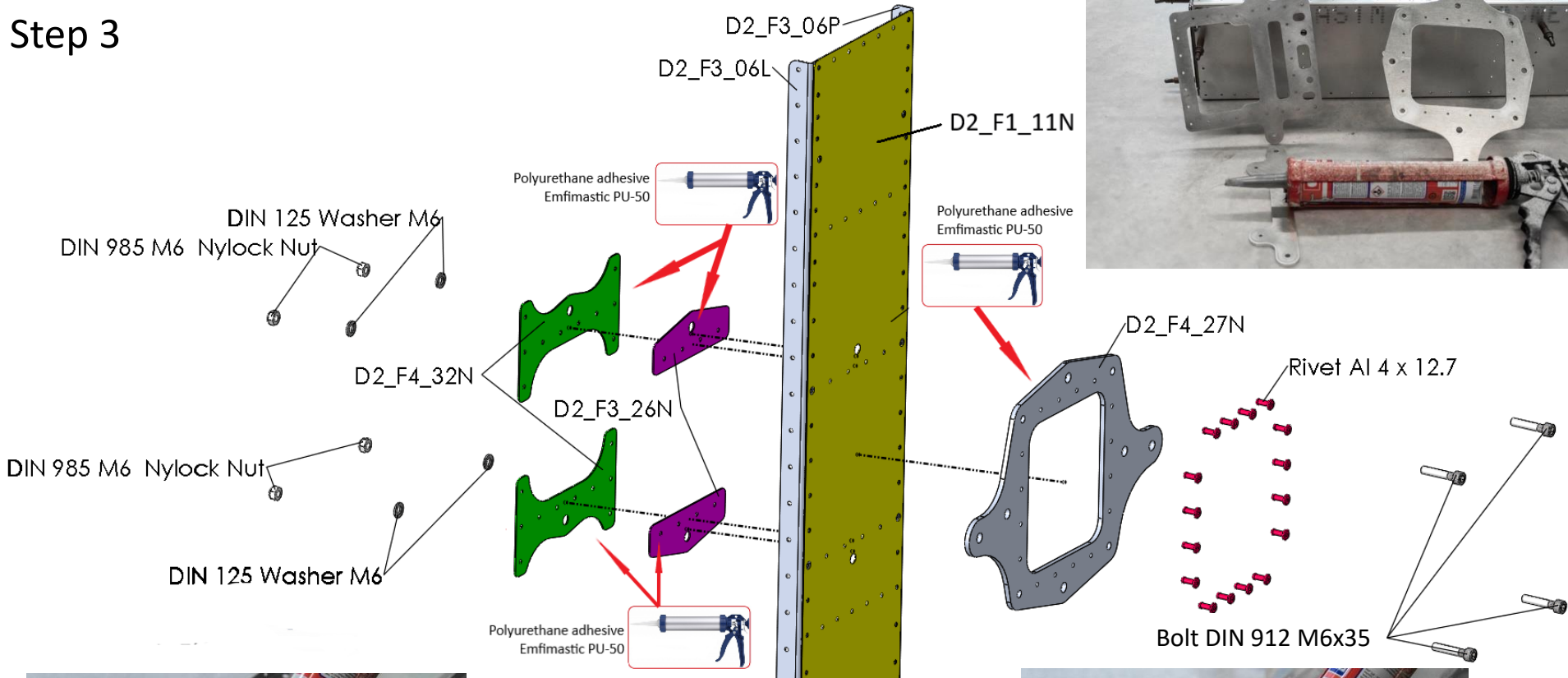
Step 2



Title	Document no.	Revision	Page	Pages
Fuselage assembly manual	D2_F0_00	Rev. 05	101	406



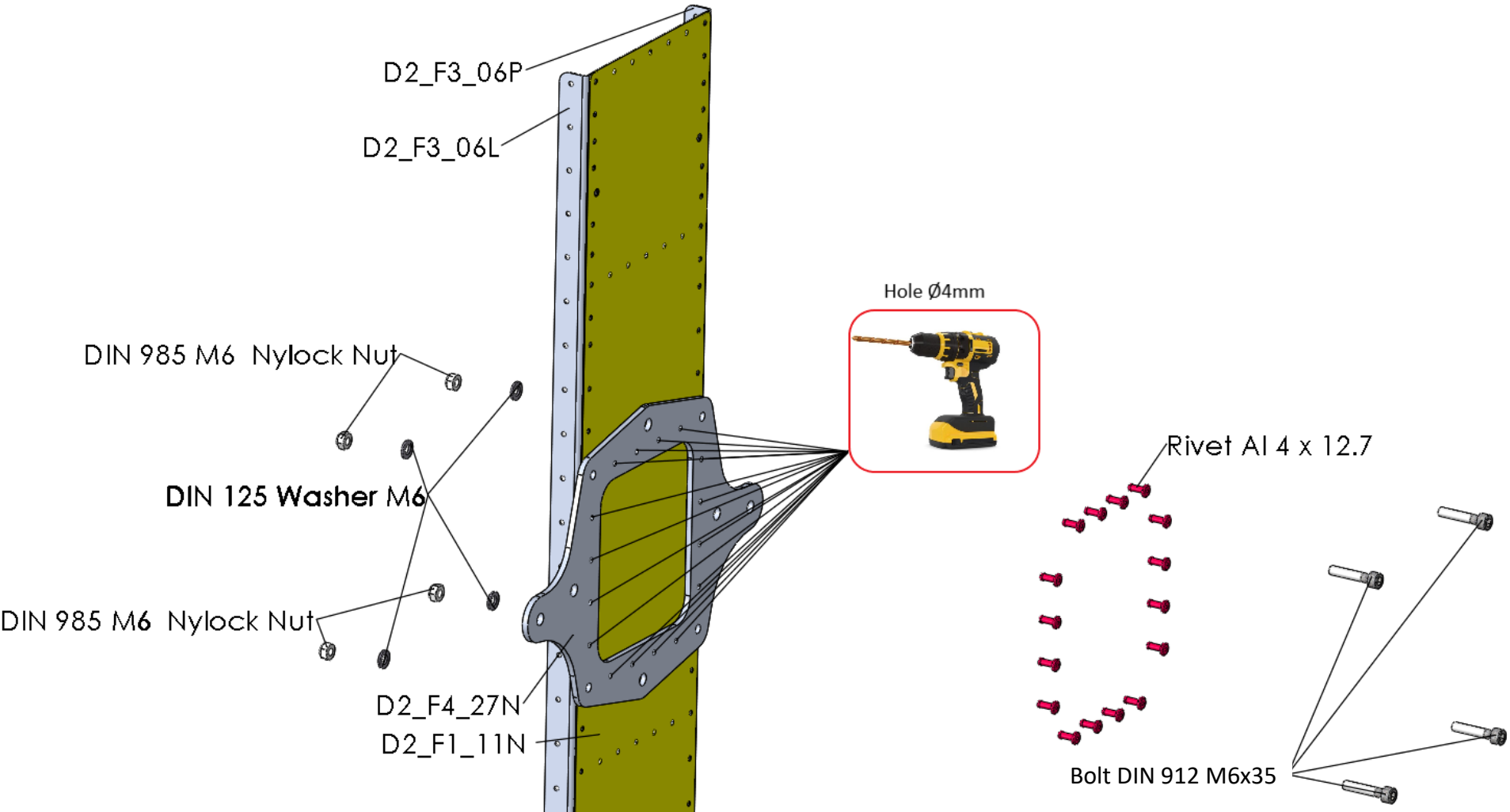
Step 3



Title	Document no.	Revision	Page	Pages
Fuselage assembly manual	D2_F0_00	Rev. 05	102	406



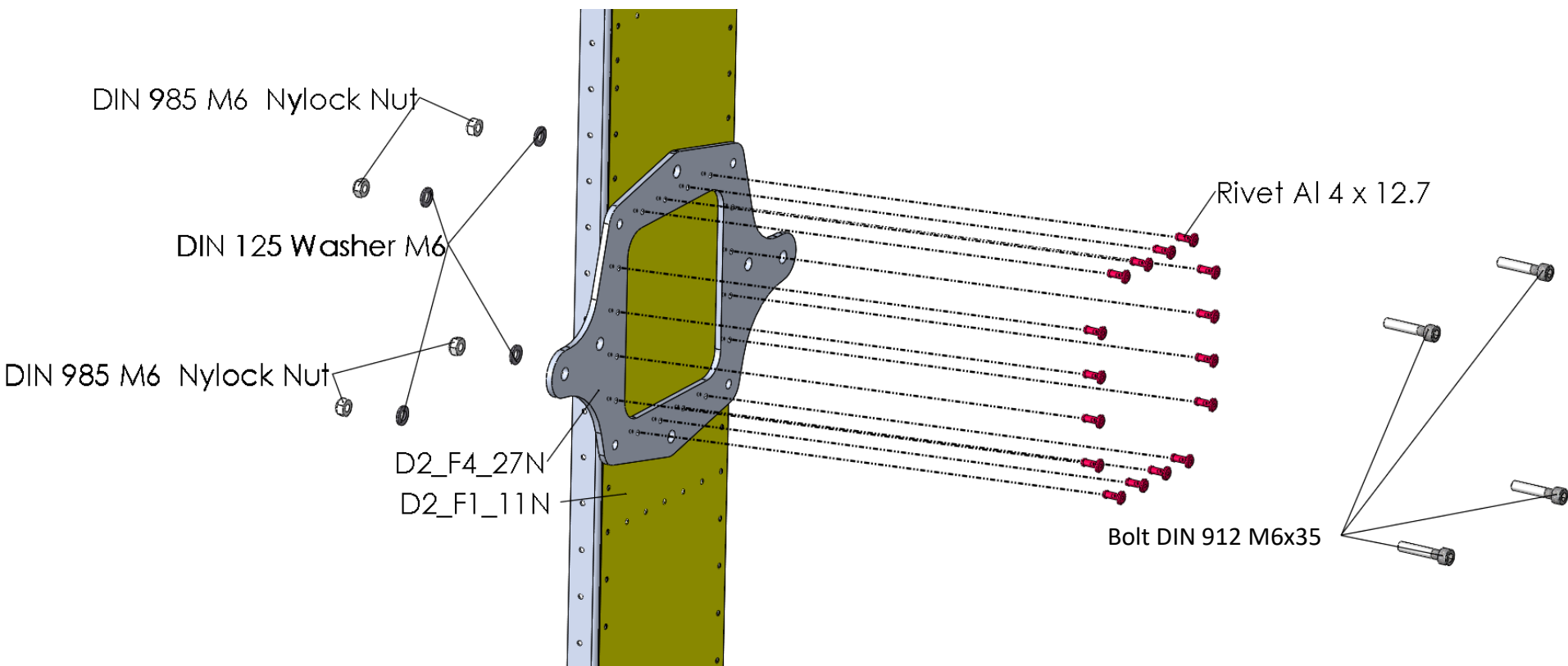
Step 4



Title	Document no.	Revision	Page	Pages
Fuselage assembly manual	D2_F0_00	Rev. 05	103	406



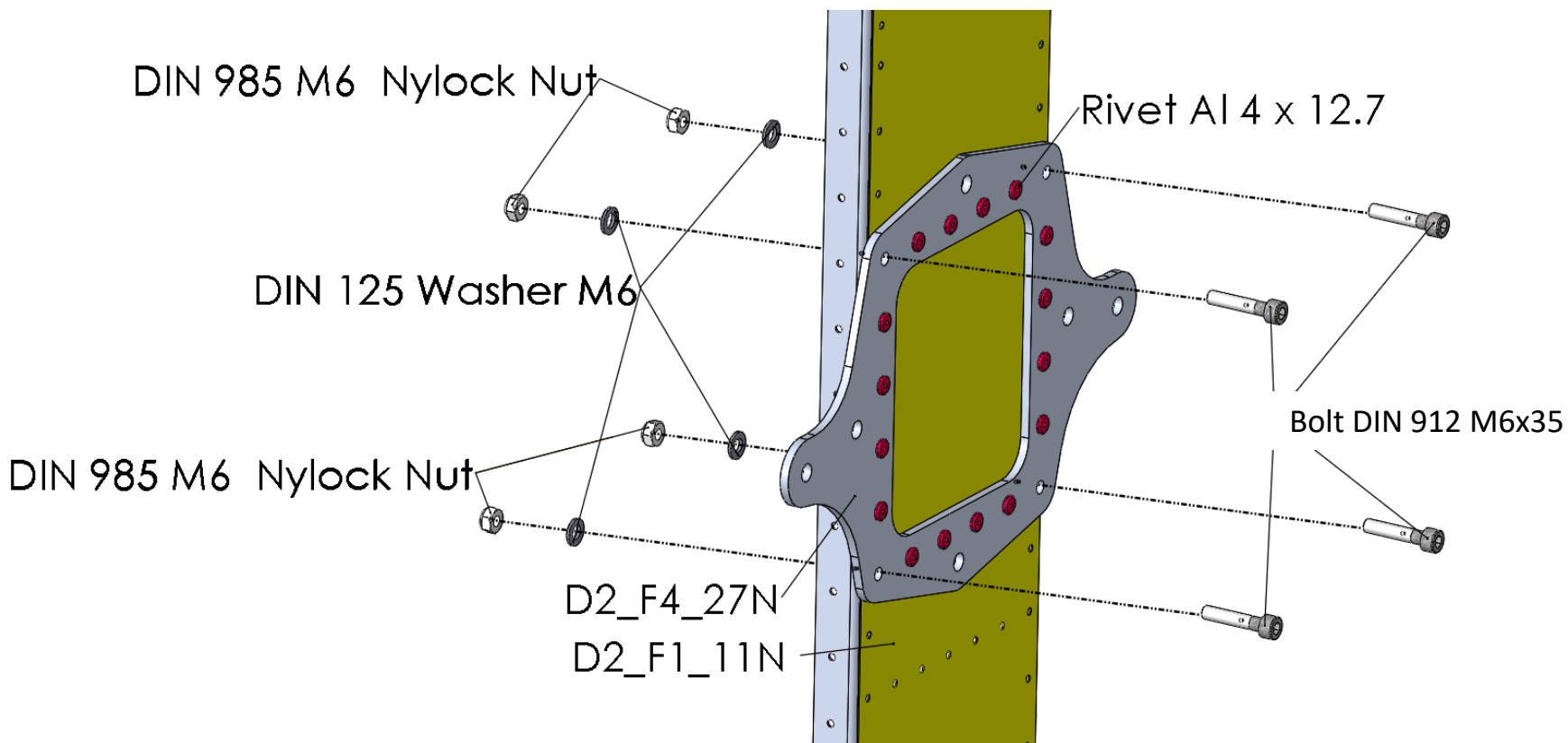
Step 5



Title	Document no.	Revision	Page	Pages
Fuselage assembly manual	D2_F0_00	Rev. 05	104	406



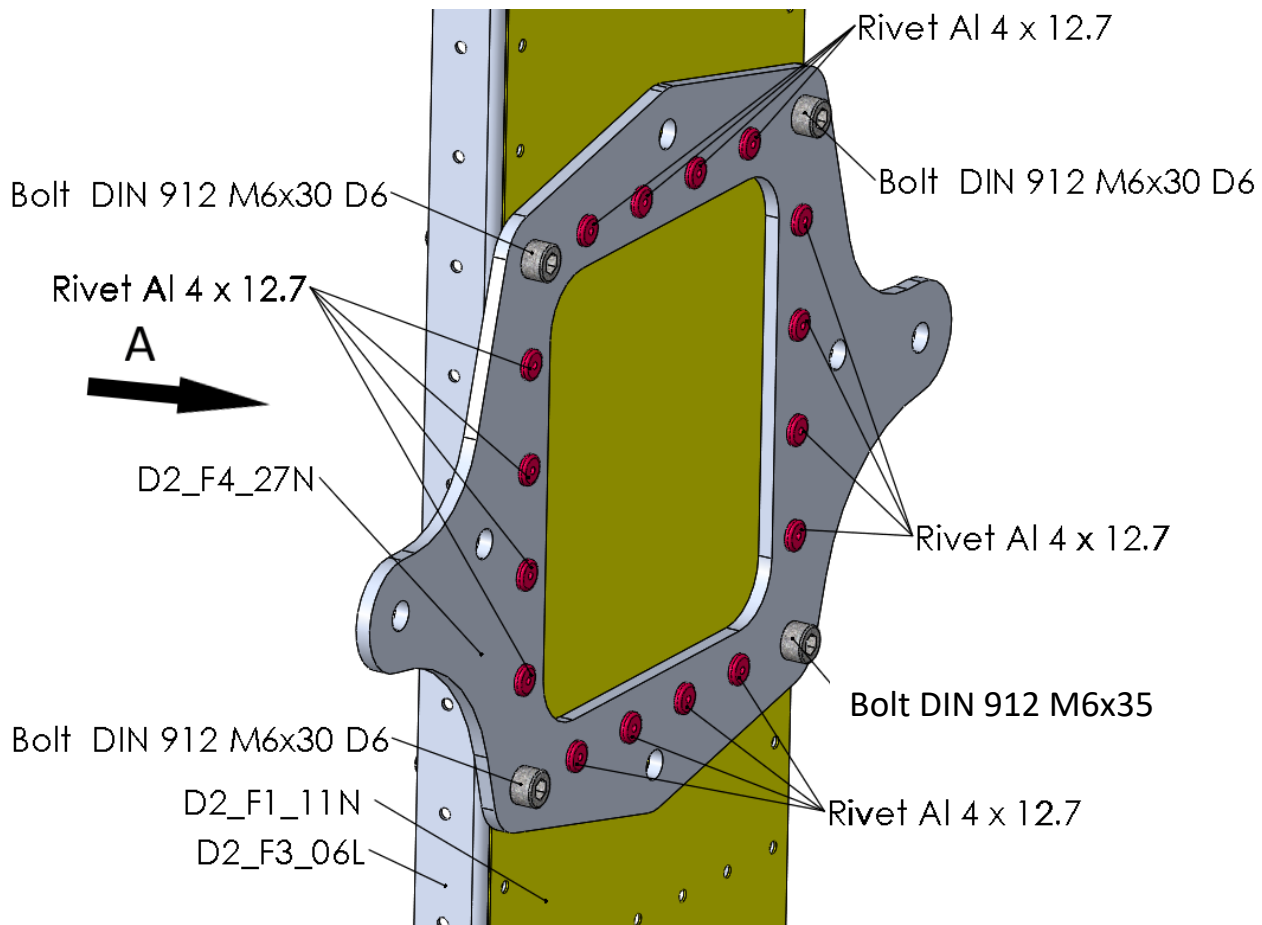
Step 6



Title	Document no.	Revision	Page	Pages
Fuselage assembly manual	D2_F0_00	Rev. 05	105	406



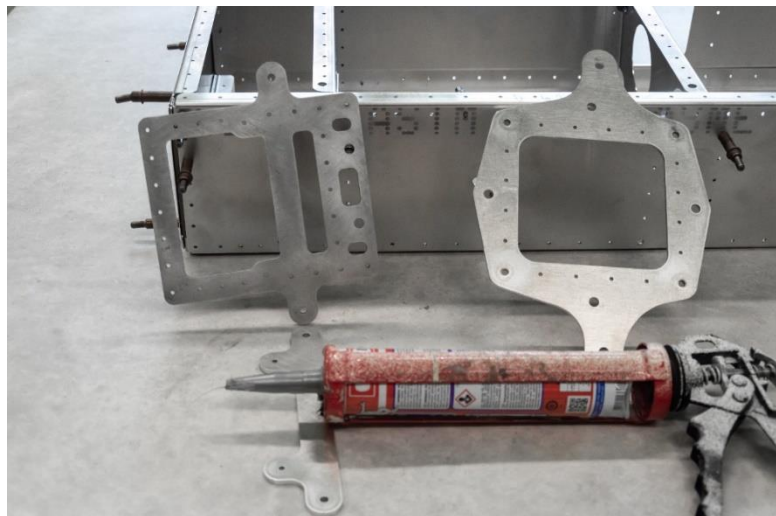
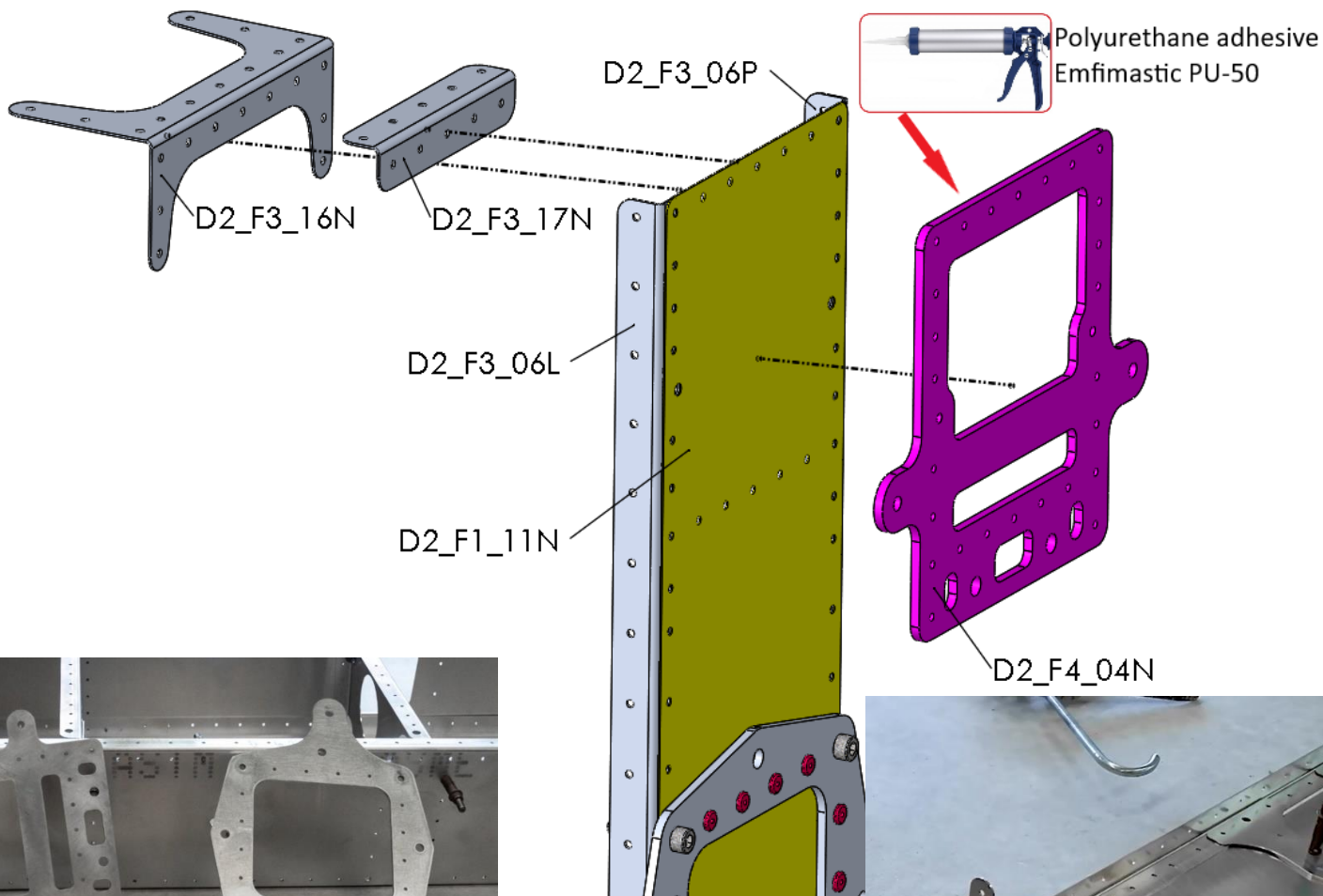
Step 7



Title	Document no.	Revision	Page	Pages
Fuselage assembly manual	D2_F0_00	Rev. 05	106	406



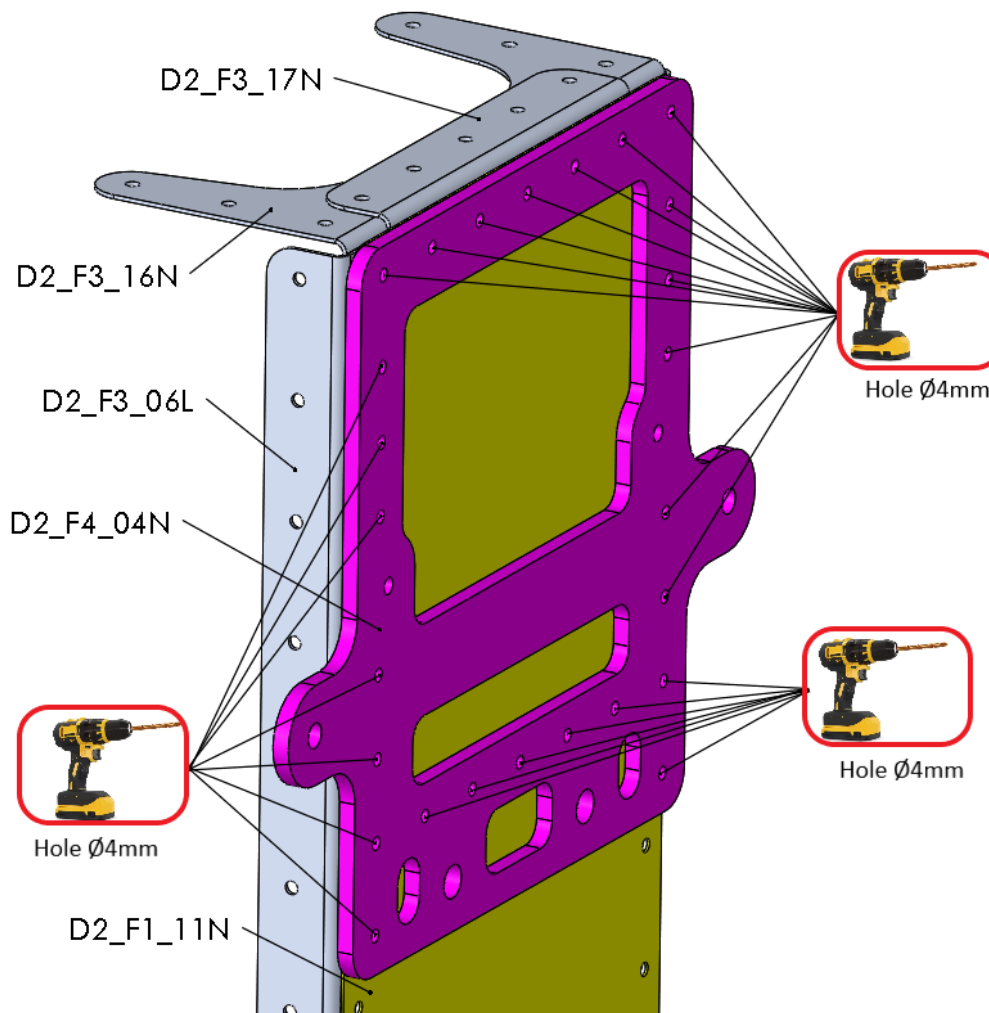
Step 8



Title	Document no.	Revision	Page	Pages
Fuselage assembly manual	D2_F0_00	Rev. 05	108	406



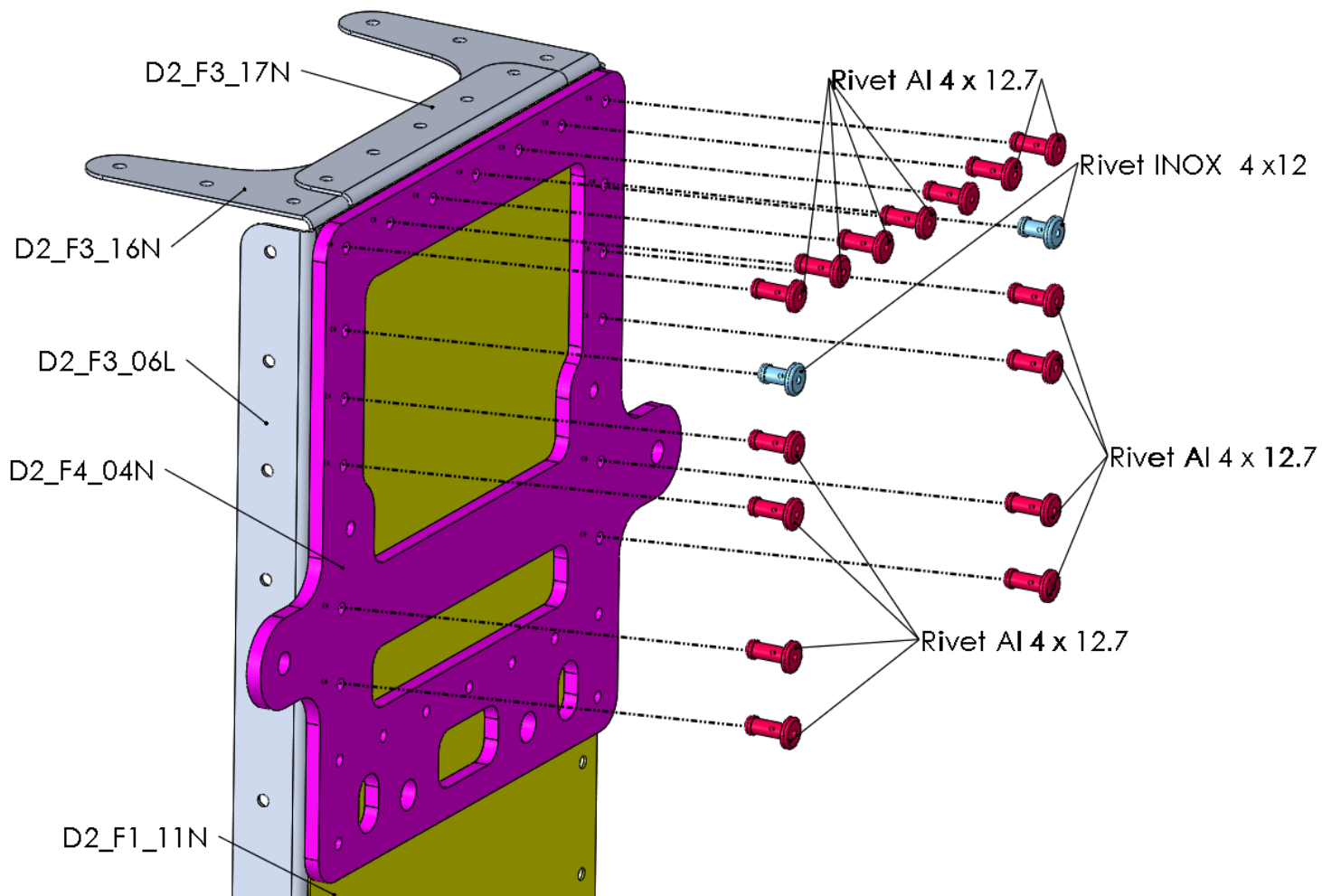
Step 9



Title	Document no.	Revision	Page	Pages
Fuselage assembly manual	D2_F0_00	Rev. 05	109	406



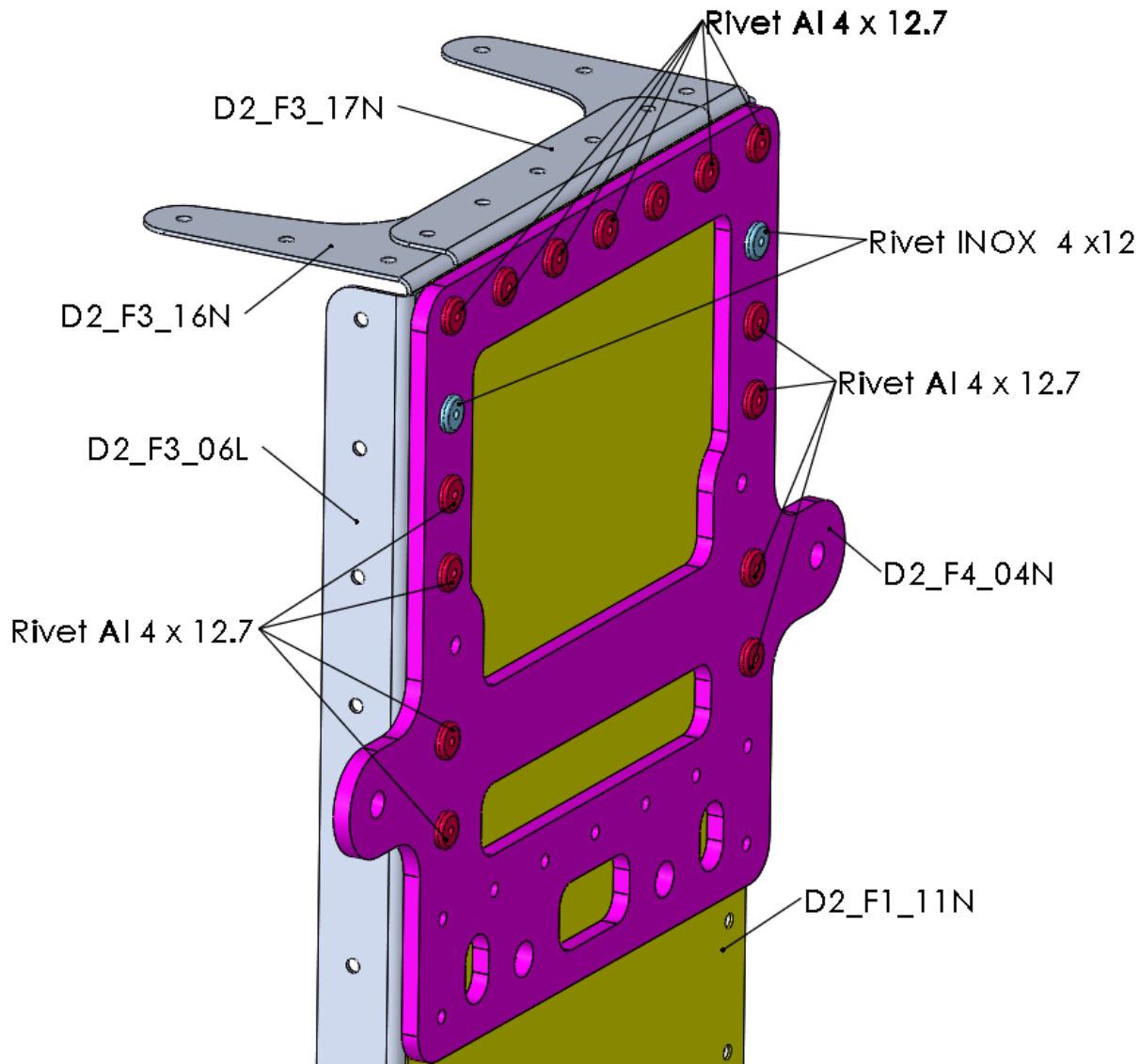
Step 10



Title	Document no.	Revision	Page	Pages
Fuselage assembly manual	D2_F0_00	Rev. 05	110	406



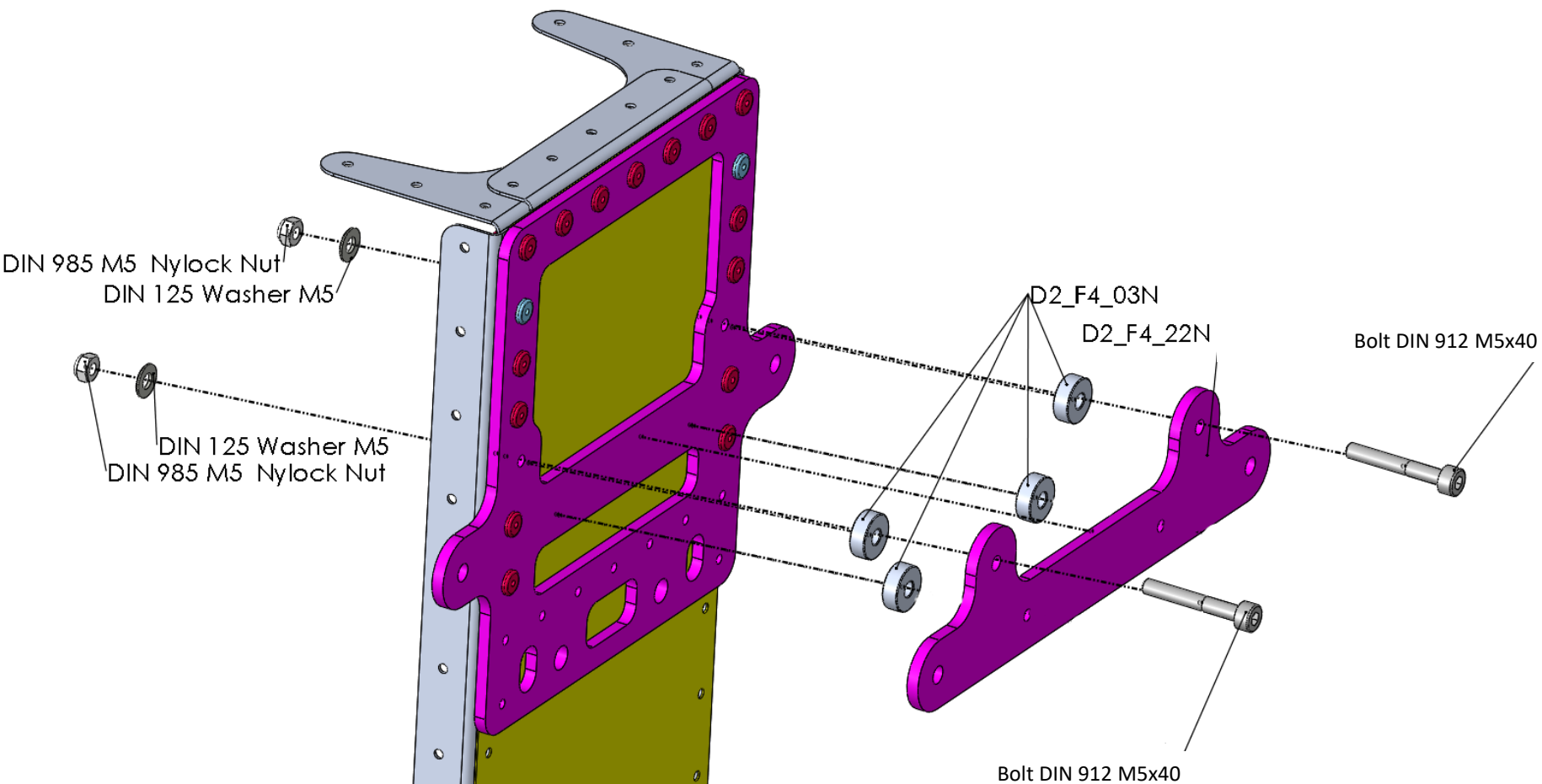
Step 11



Title	Document no.	Revision	Page	Pages
Fuselage assembly manual	D2_F0_00	Rev. 05	111	406



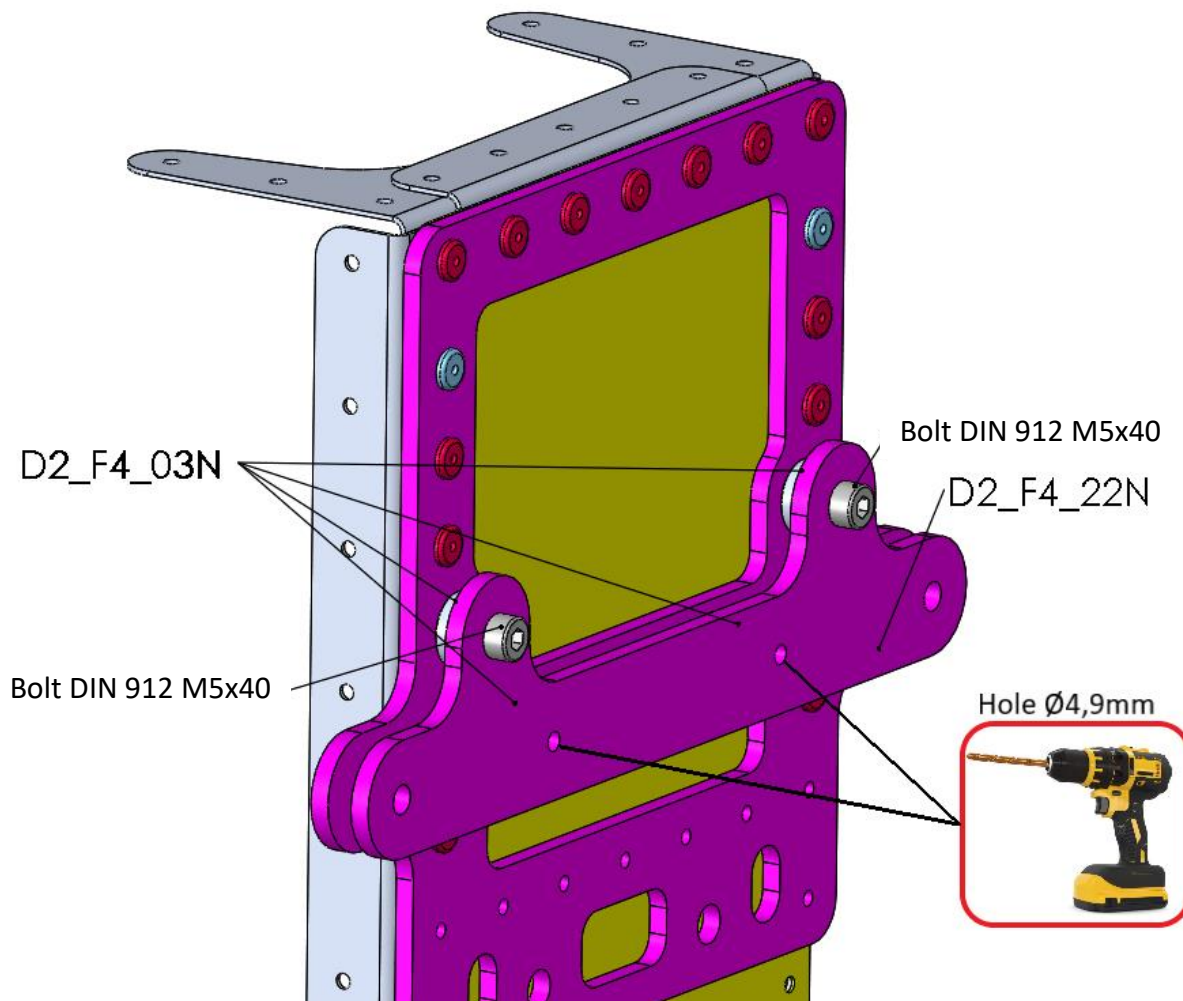
Step 12



Title	Document no.	Revision	Page	Pages
Fuselage assembly manual	D2_F0_00	Rev. 05	112	406



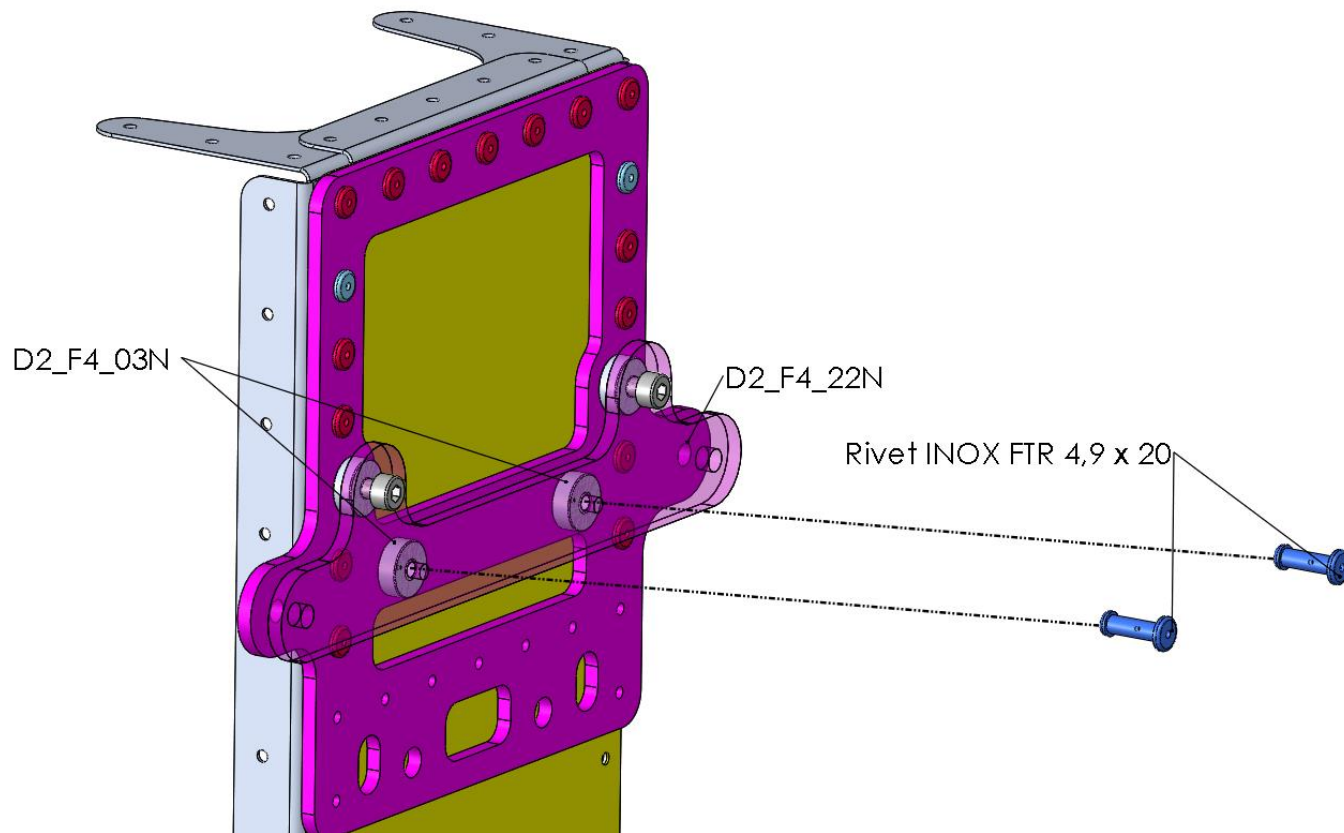
Step 13



Title	Document no.	Revision	Page	Pages
Fuselage assembly manual	D2_F0_00	Rev. 05	113	406



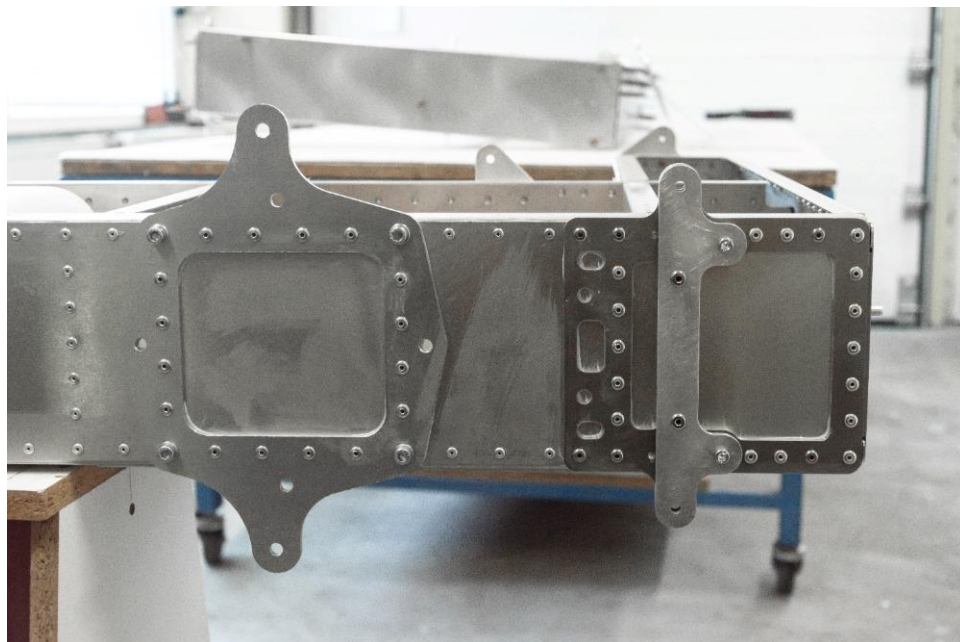
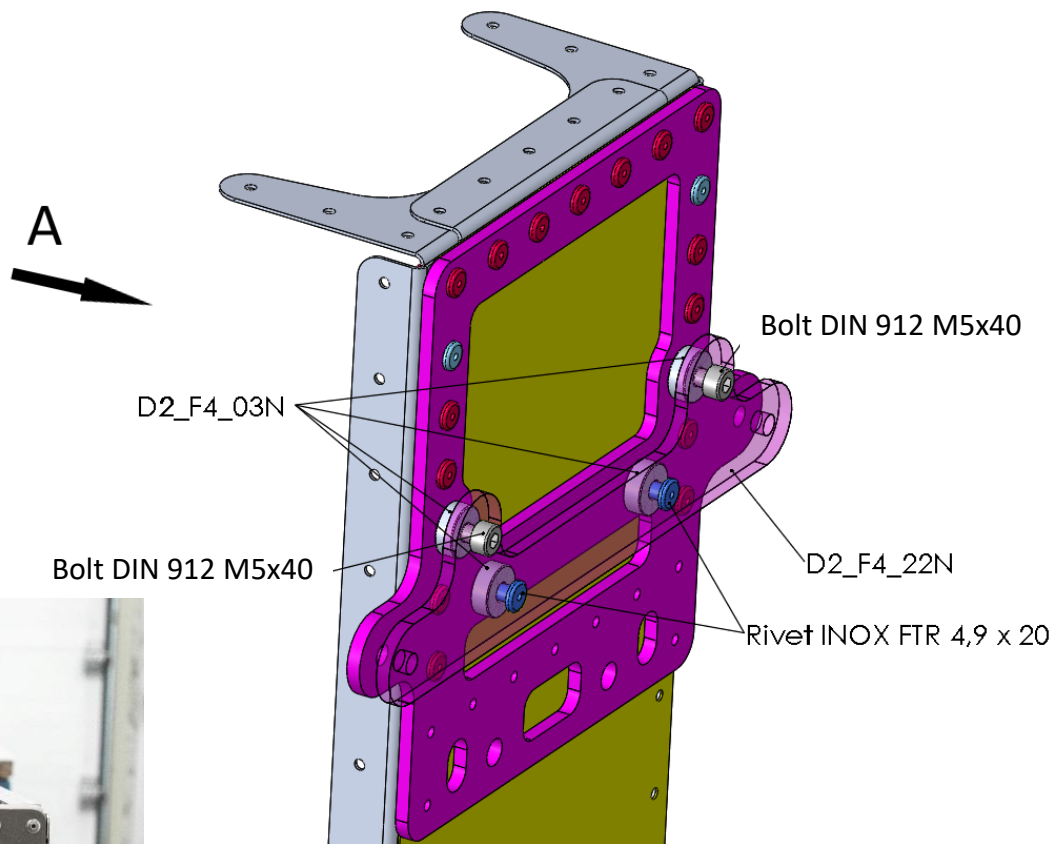
Step 14



Title	Document no.	Revision	Page	Pages
Fuselage assembly manual	D2_F0_00	Rev. 05	114	406



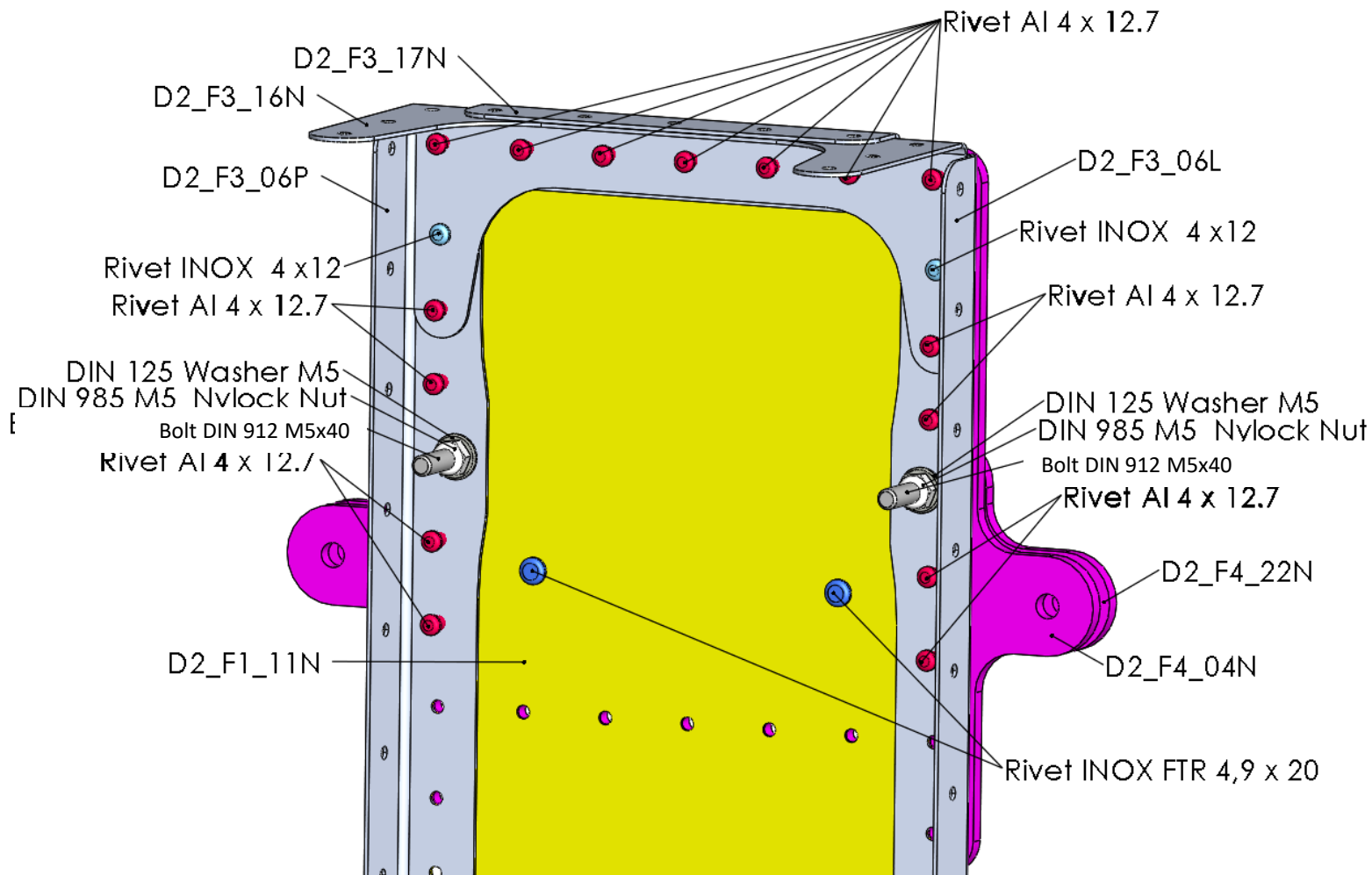
Step 15



Title	Document no.	Revision	Page	Pages
Fuselage assembly manual	D2_F0_00	Rev. 05	115	406



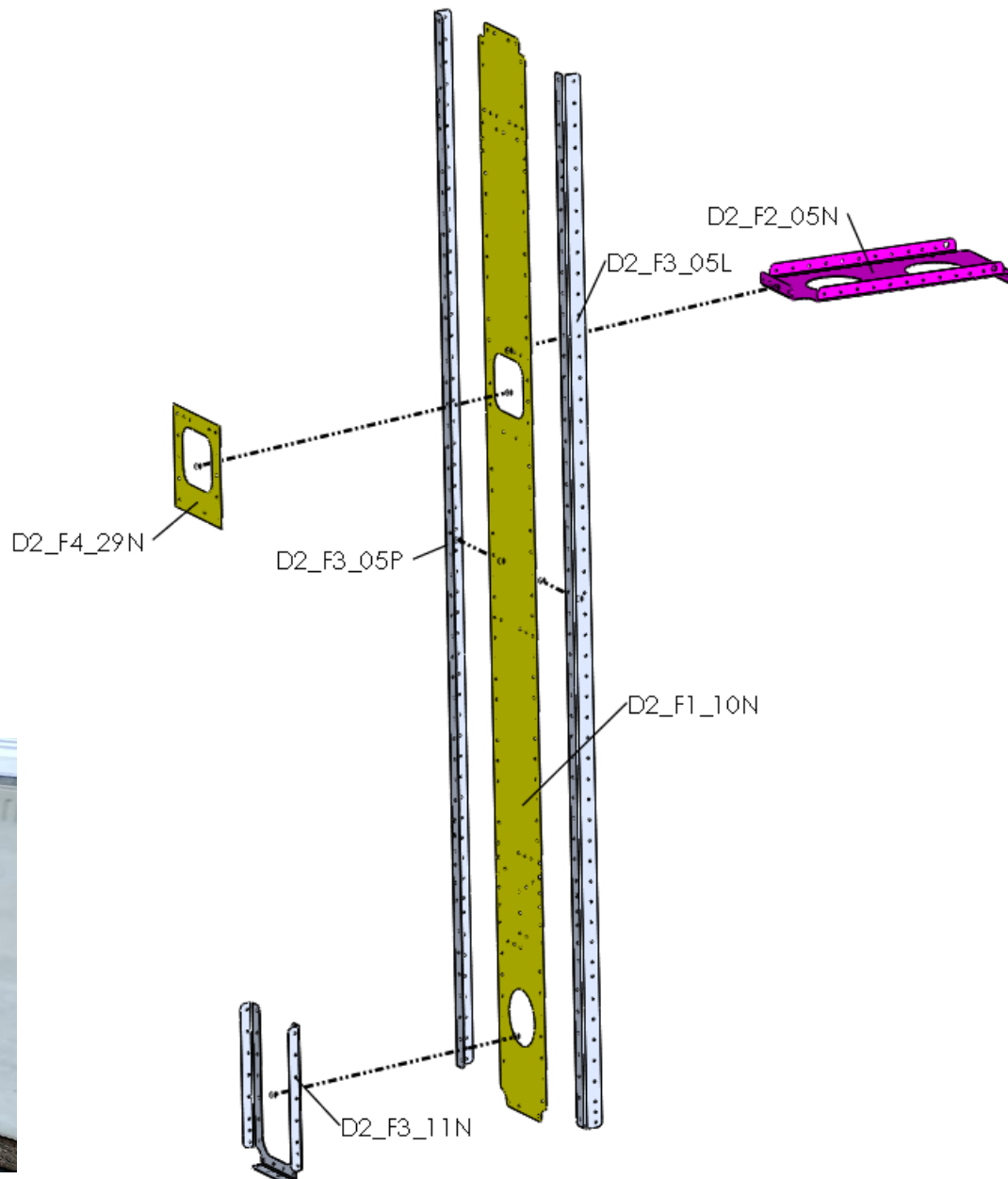
Step 15-A



Title	Document no.	Revision	Page	Pages
Fuselage assembly manual	D2_F0_00	Rev. 05	116	406



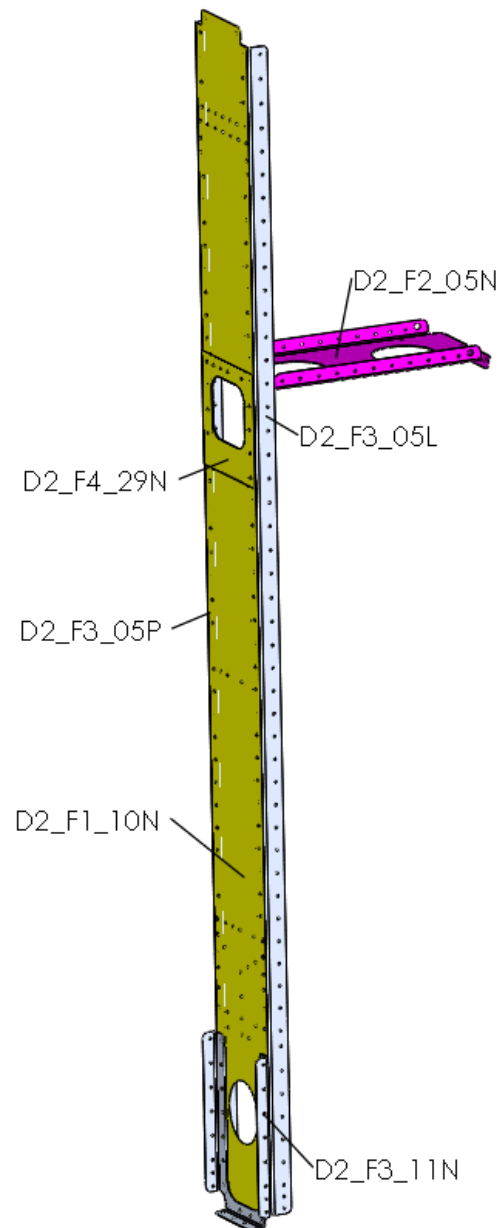
Step 16



Title	Document no.	Revision	Page	Pages
Fuselage assembly manual	D2_F0_00	Rev. 05	117	406



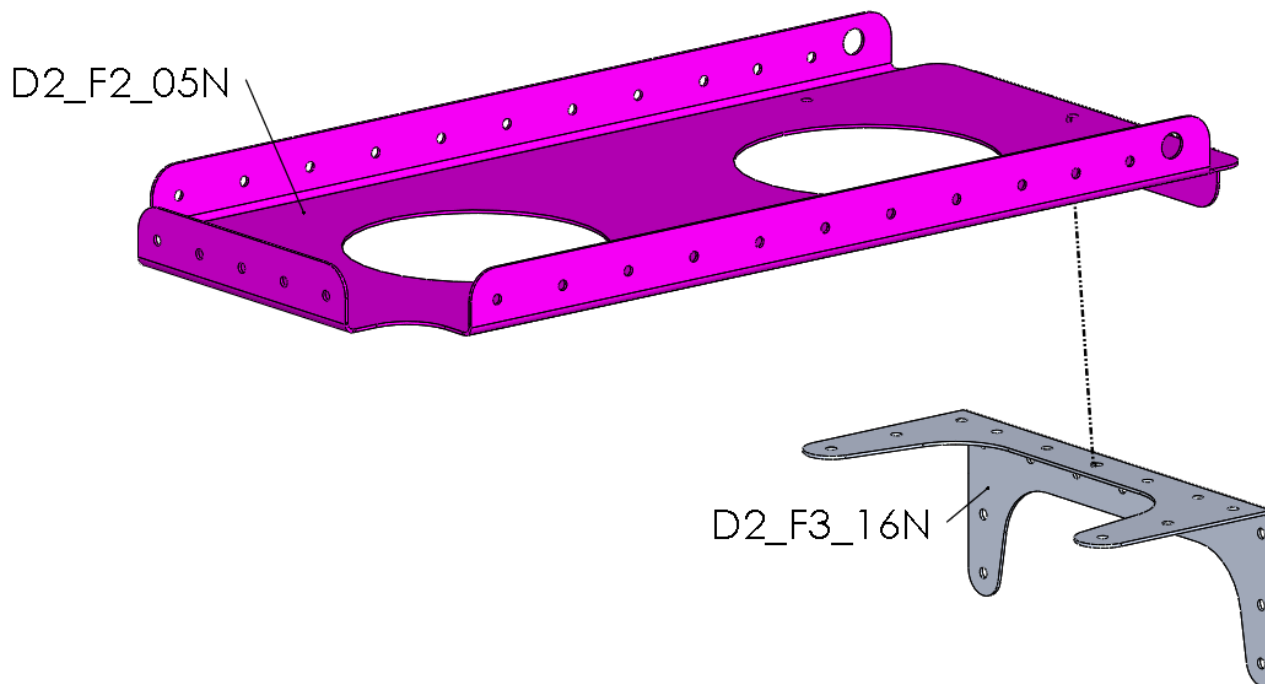
Step 17



Title	Document no.	Revision	Page	Pages
Fuselage assembly manual	D2_F0_00	Rev. 05	118	406



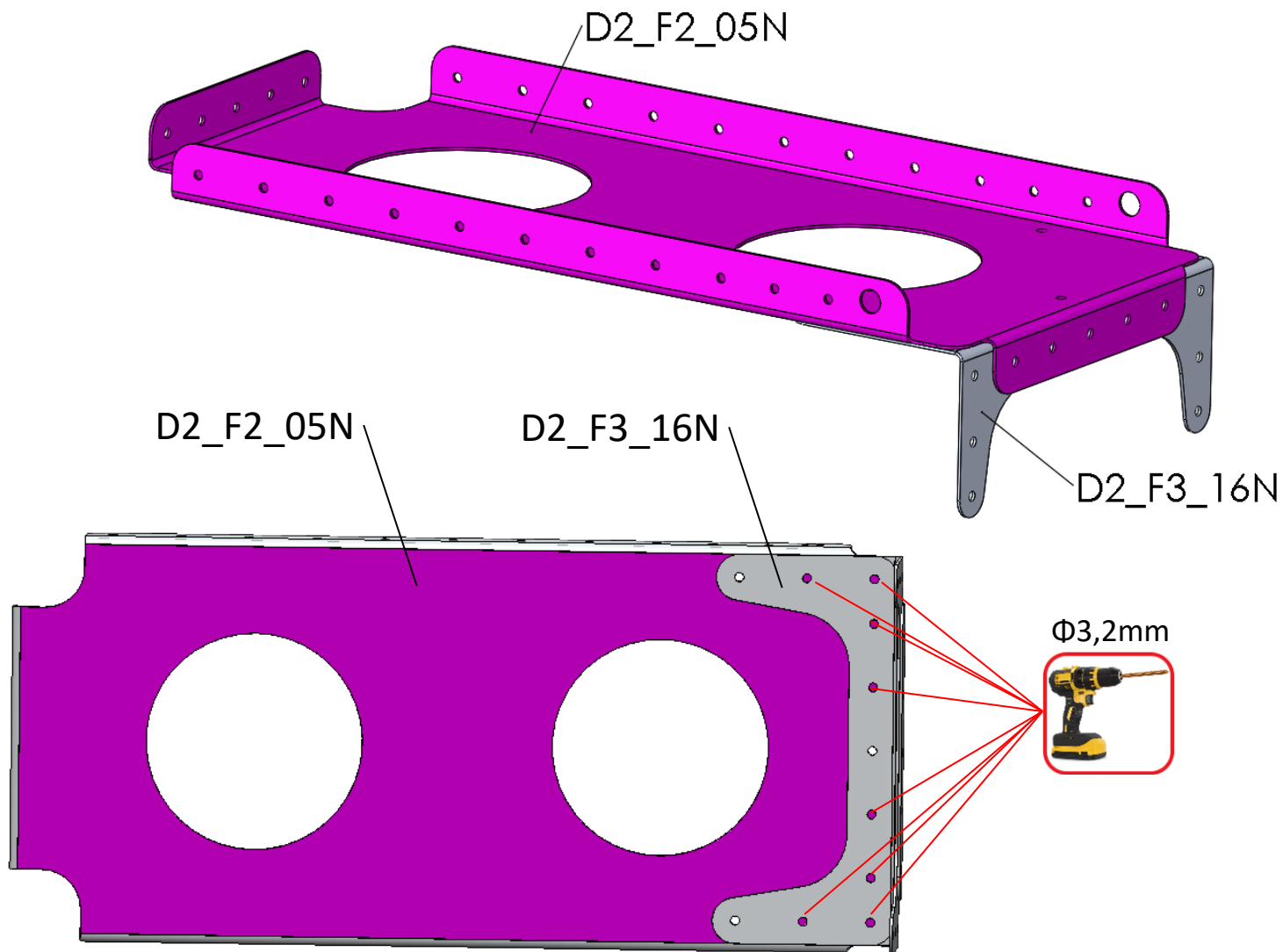
Step 18



Title	Document no.	Revision	Page	Pages
Fuselage assembly manual	D2_F0_00	Rev. 05	119	406



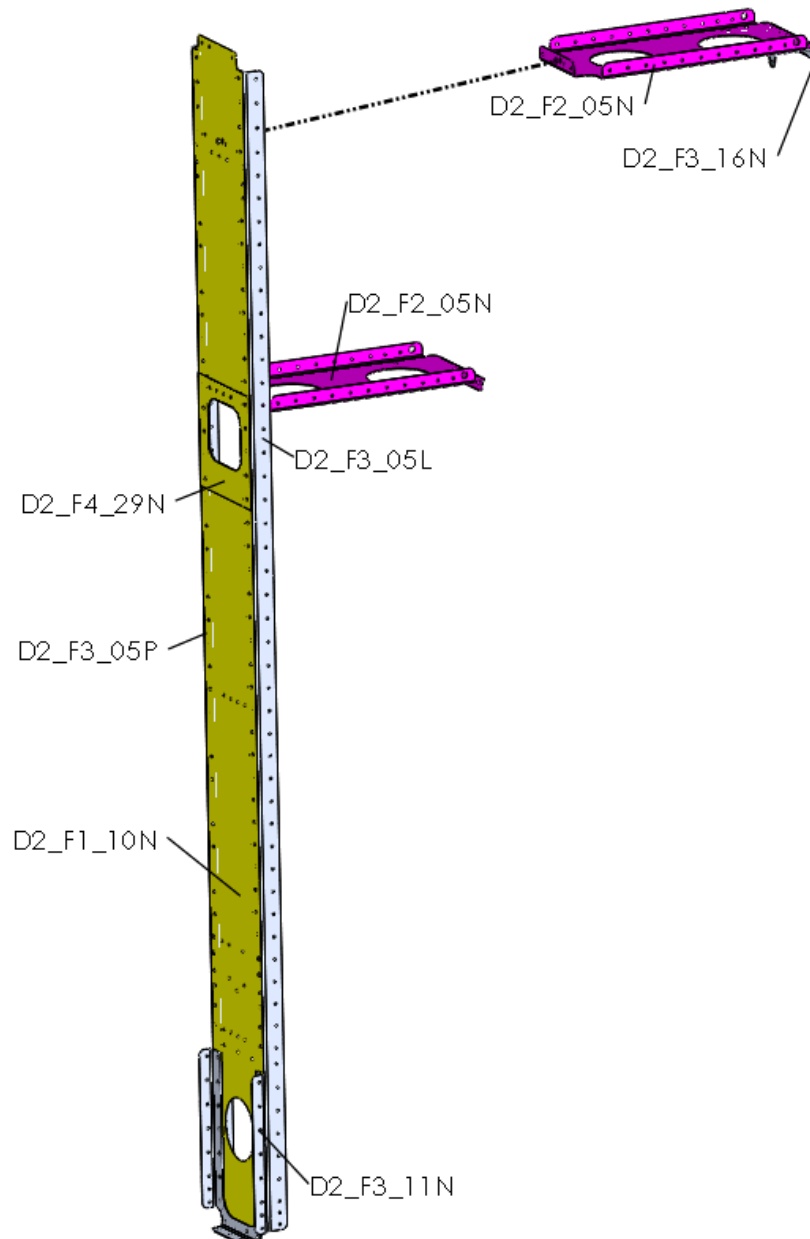
Step 19



Title	Document no.	Revision	Page	Pages
Fuselage assembly manual	D2_F0_00	Rev. 05	120	406



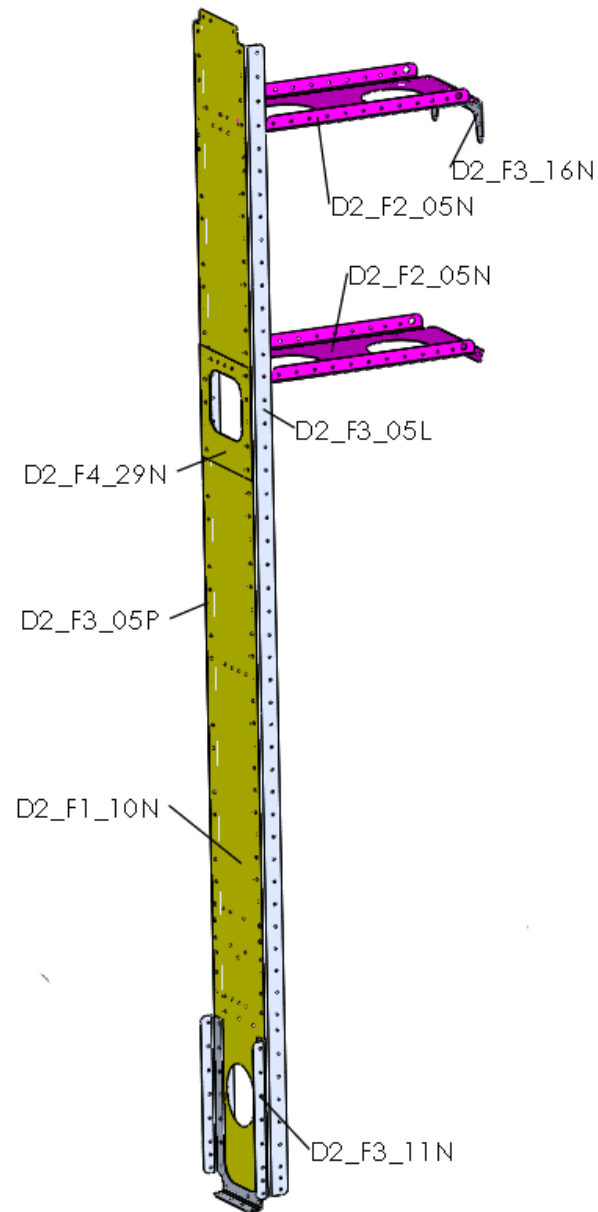
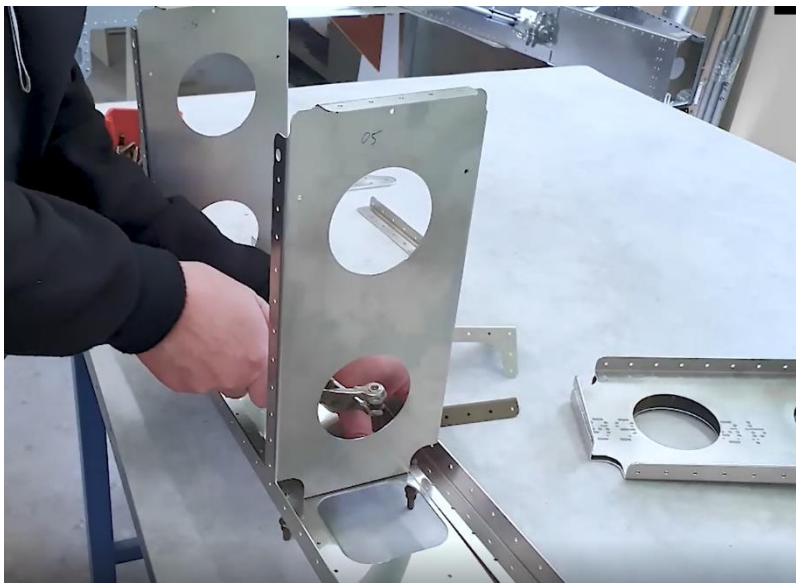
Step 20



Title	Document no.	Revision	Page	Pages
Fuselage assembly manual	D2_F0_00	Rev. 05	121	406



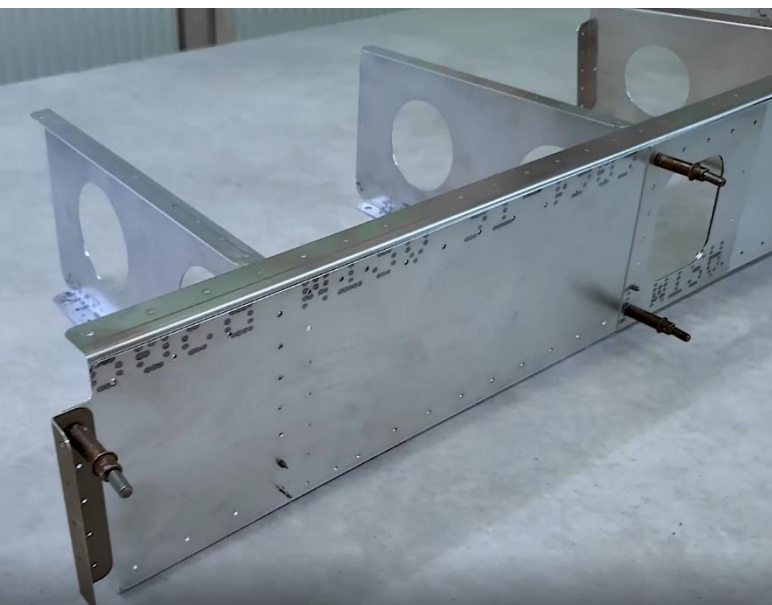
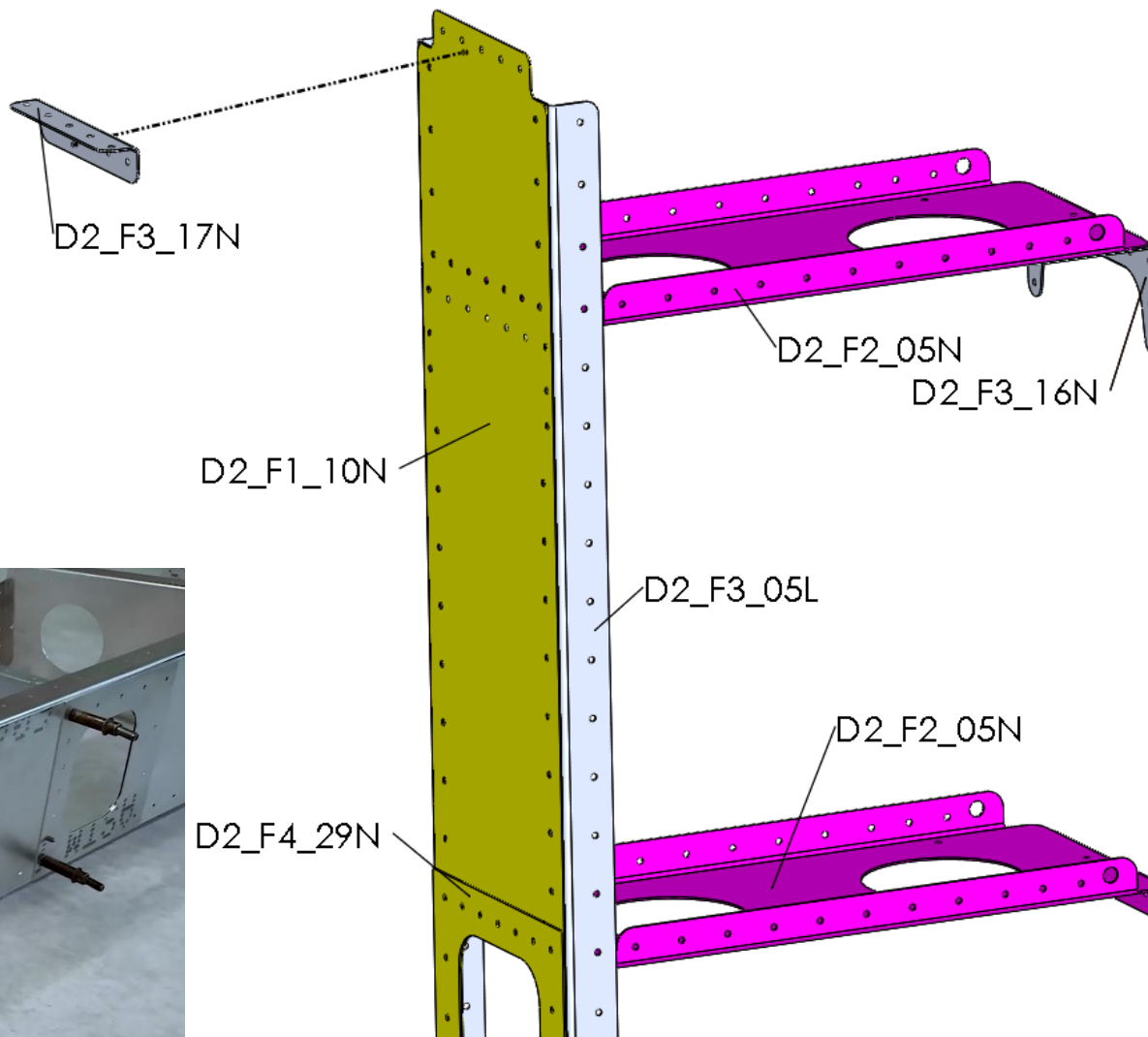
Step 21



Title	Document no.	Revision	Page	Pages
Fuselage assembly manual	D2_F0_00	Rev. 05	122	406



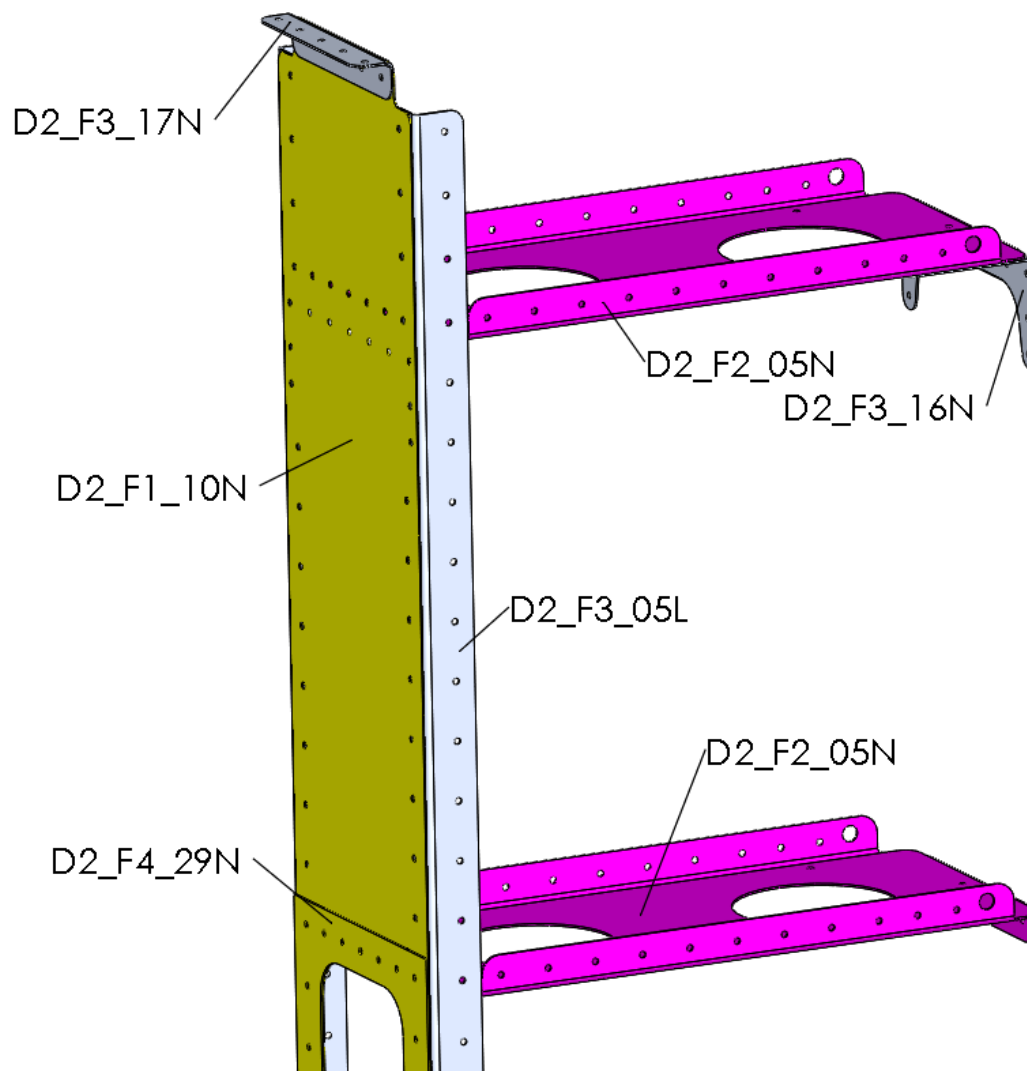
Step 22



Title	Document no.	Revision	Page	Pages
Fuselage assembly manual	D2_F0_00	Rev. 05	123	406



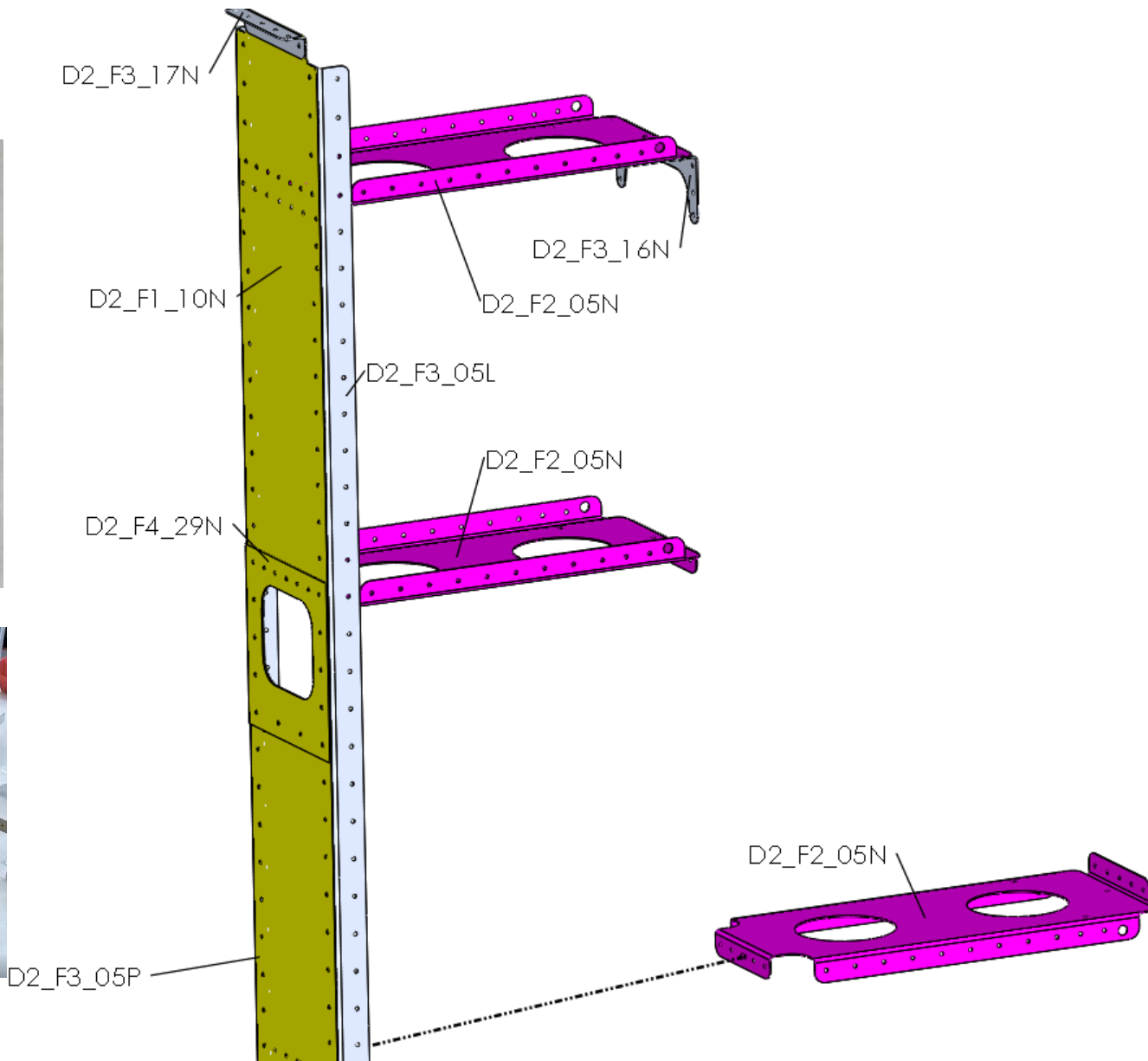
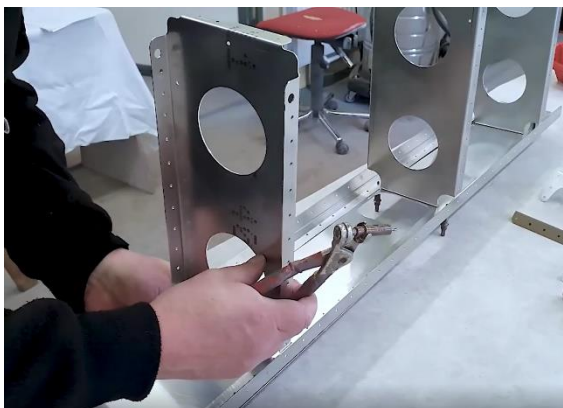
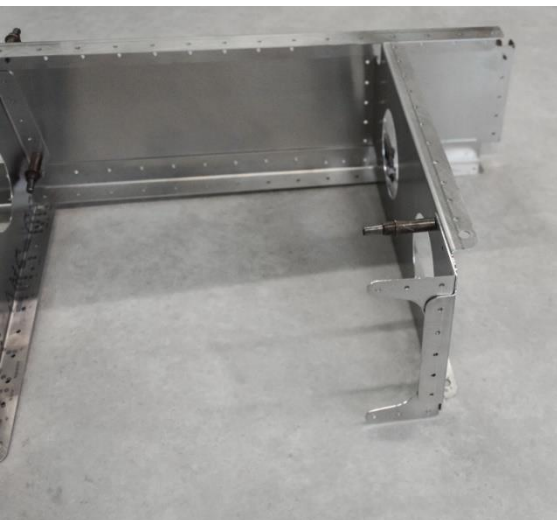
Step 23



Title	Document no.	Revision	Page	Pages
Fuselage assembly manual	D2_F0_00	Rev. 05	124	406



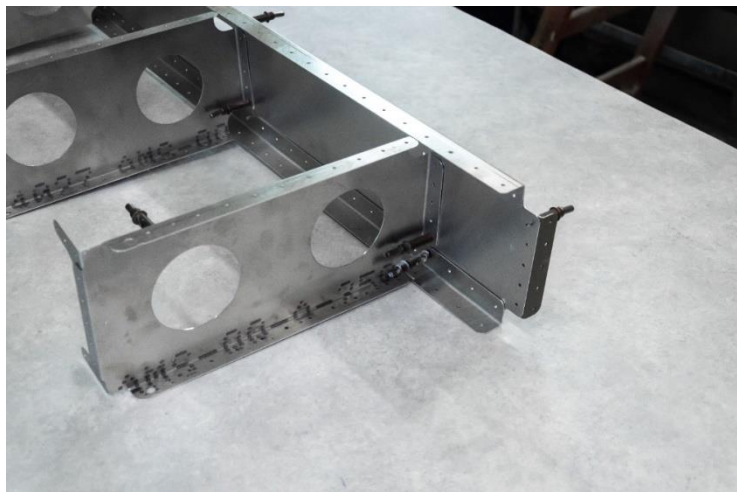
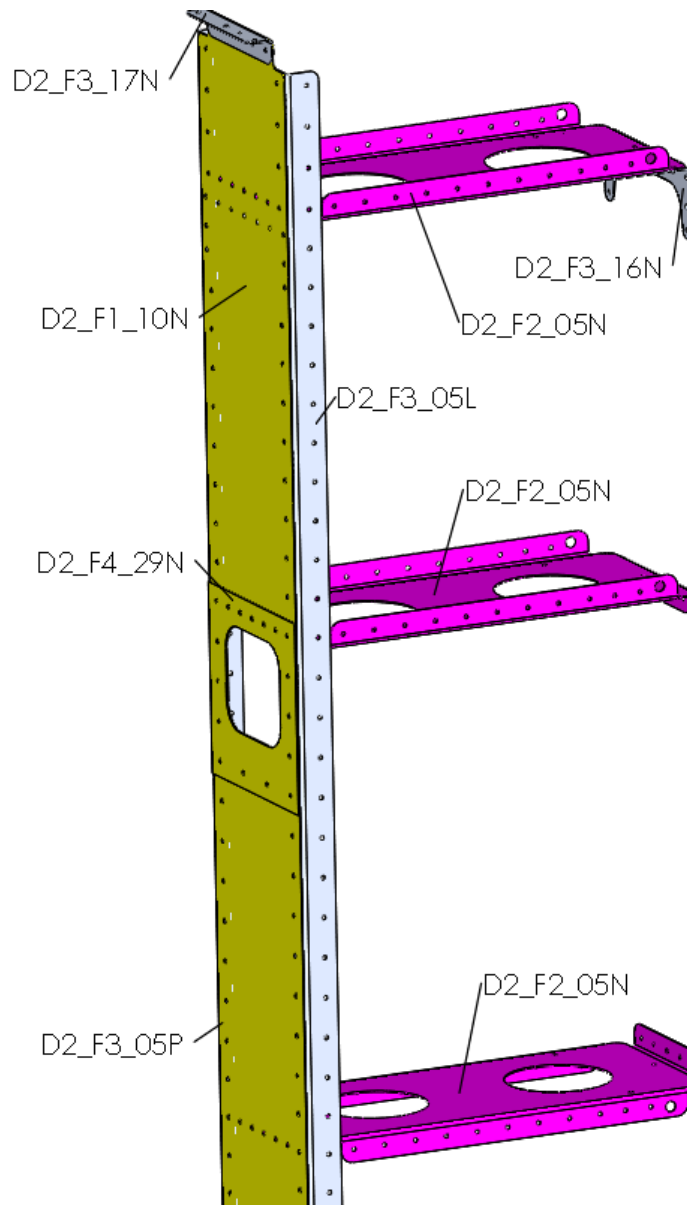
Step 24



Title	Document no.	Revision	Page	Pages
Fuselage assembly manual	D2_F0_00	Rev. 05	125	406



Step 25

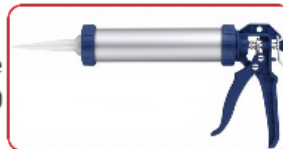


Title	Document no.	Revision	Page	Pages
Fuselage assembly manual	D2_F0_00	Rev. 05	126	406

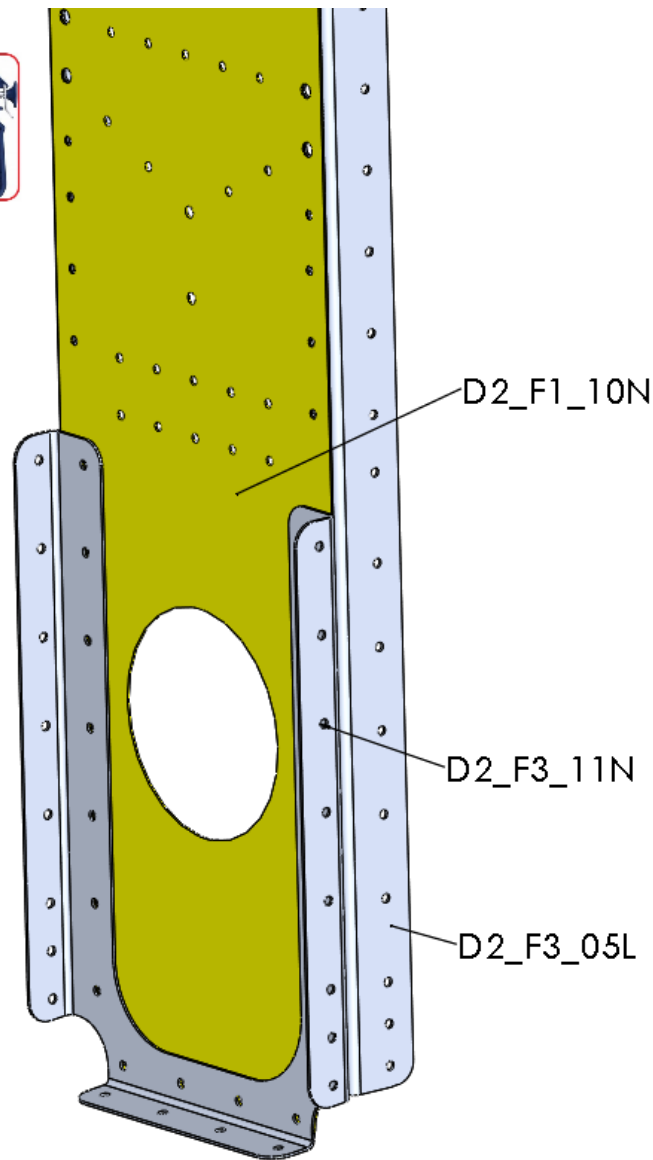
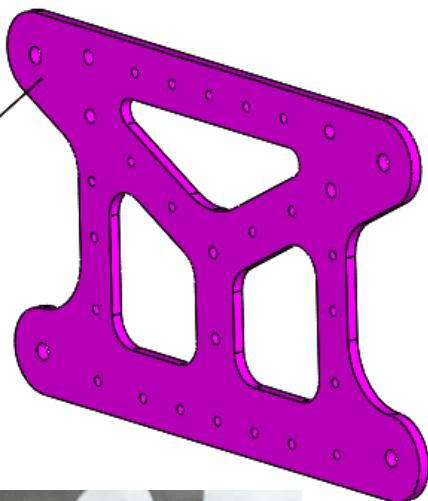


Step 26

Polyurethane adhesive
Emfimastic PU-50



D2_F4_05N



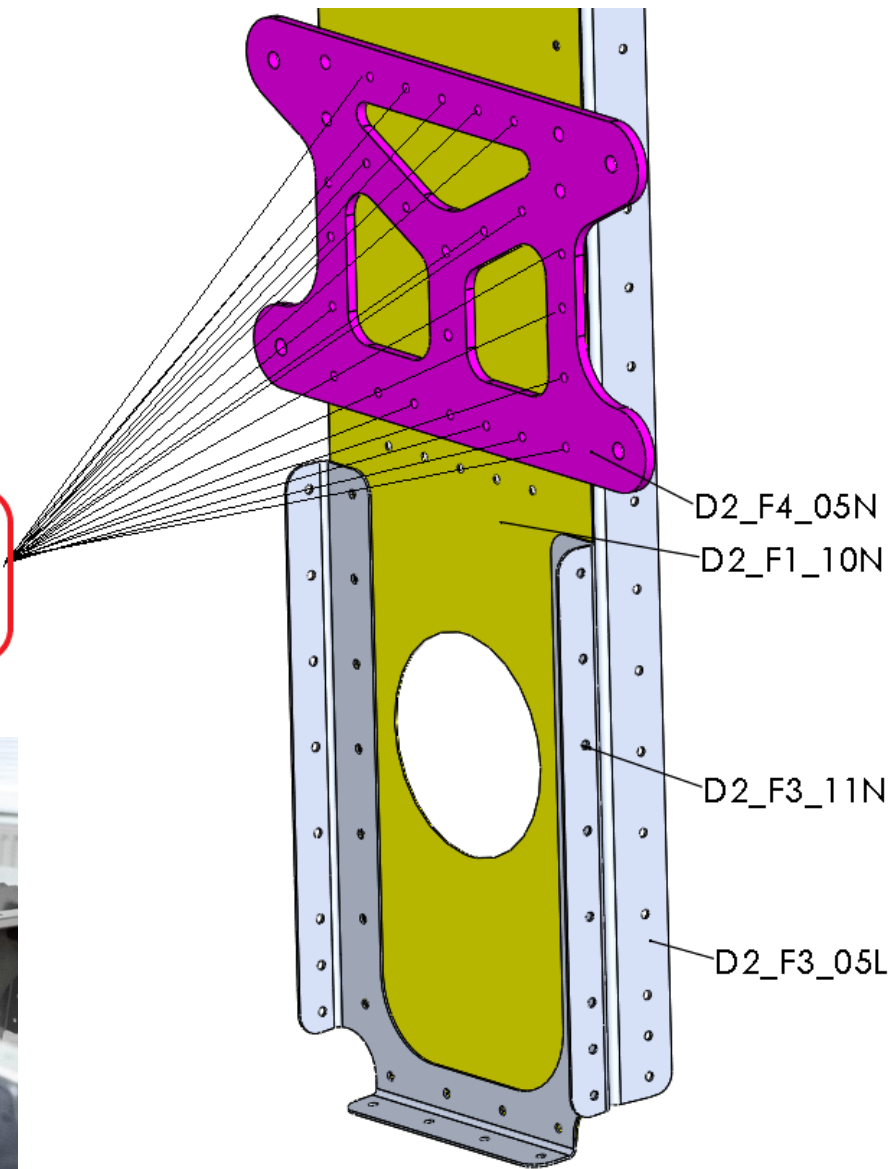
Title	Document no.	Revision	Page	Pages
Fuselage assembly manual	D2_F0_00	Rev. 05	127	406



Step 27



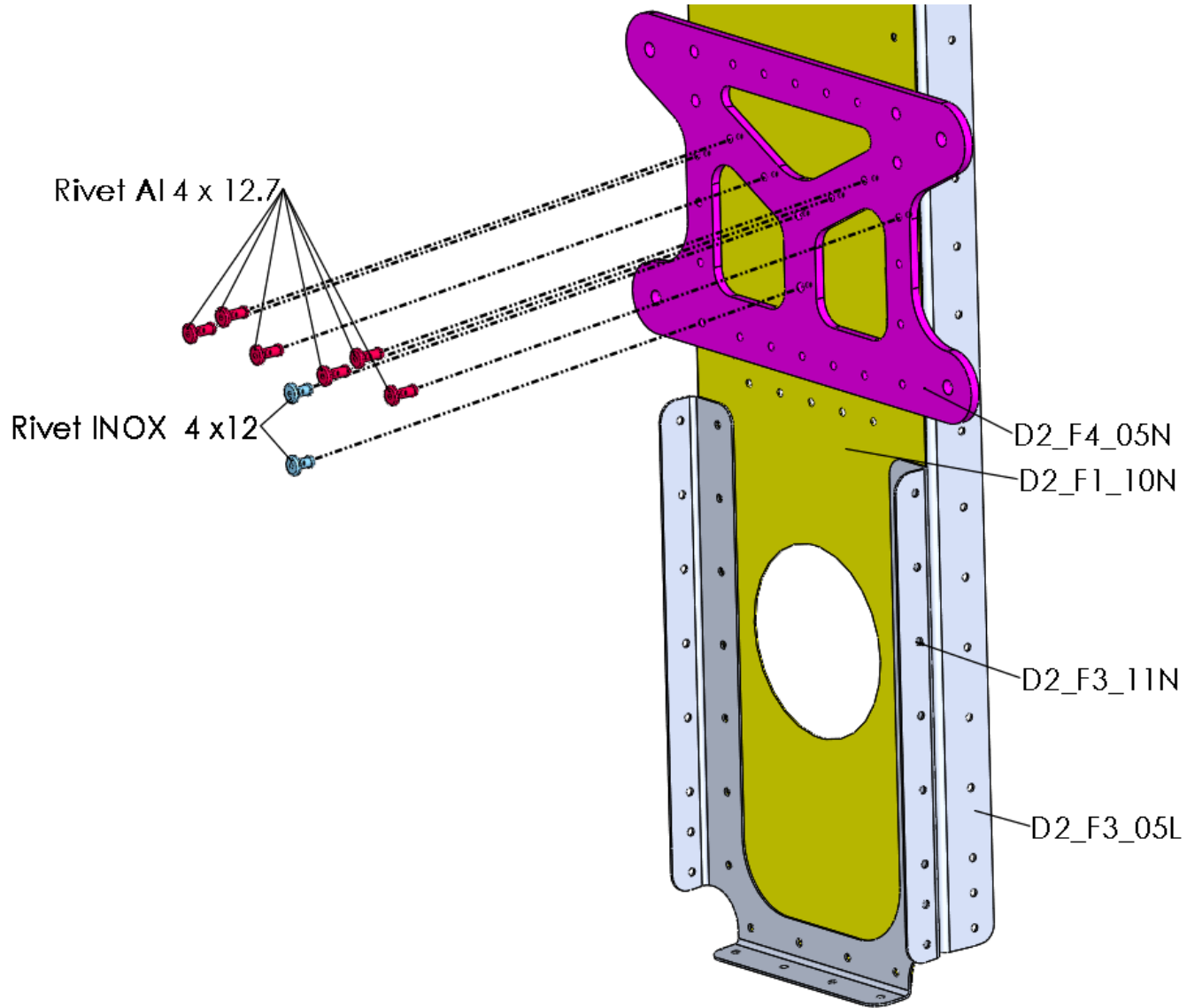
22x Hole \varnothing 4mm



Title	Document no.	Revision	Page	Pages
Fuselage assembly manual	D2_F0_00	Rev. 05	128	406



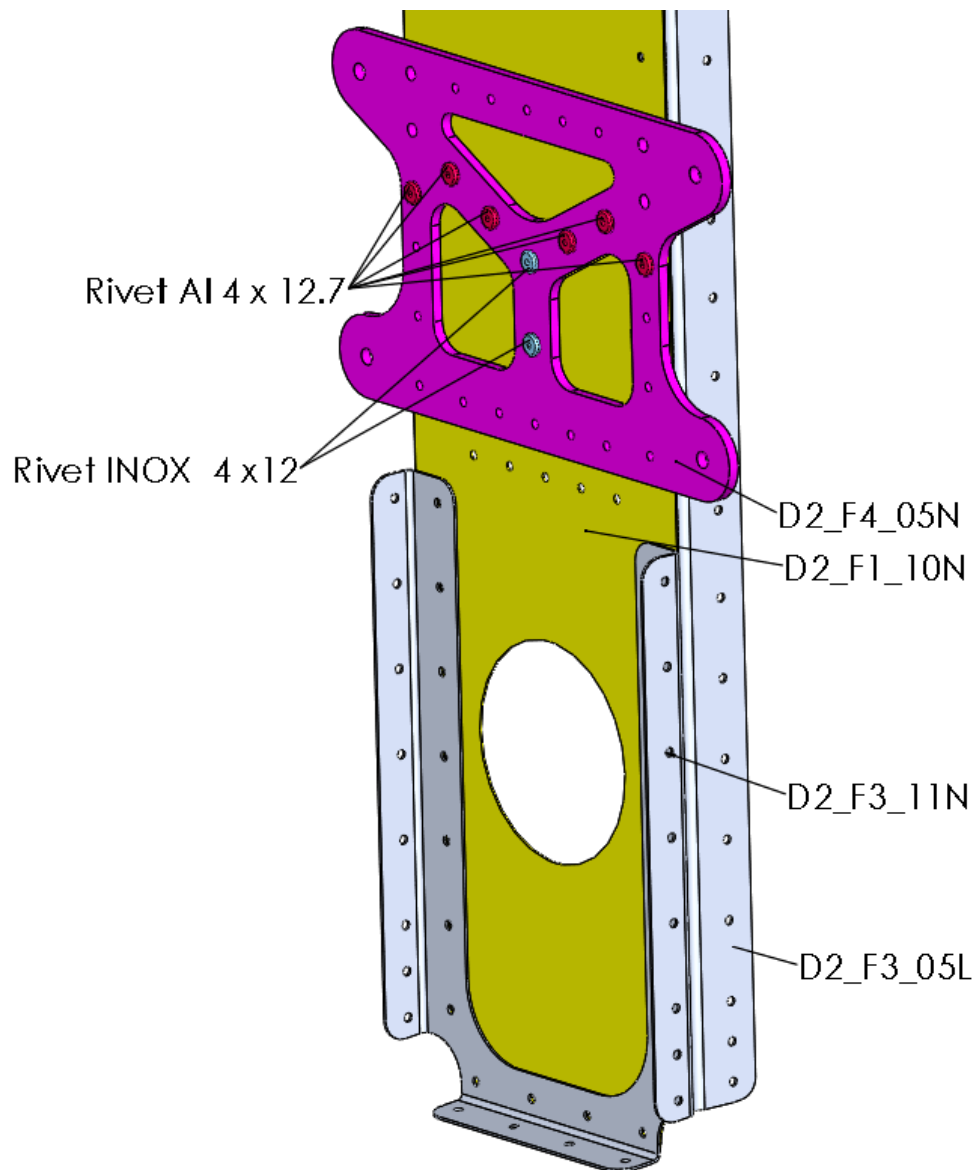
Step 28



Title	Document no.	Revision	Page	Pages
Fuselage assembly manual	D2_F0_00	Rev. 05	129	406



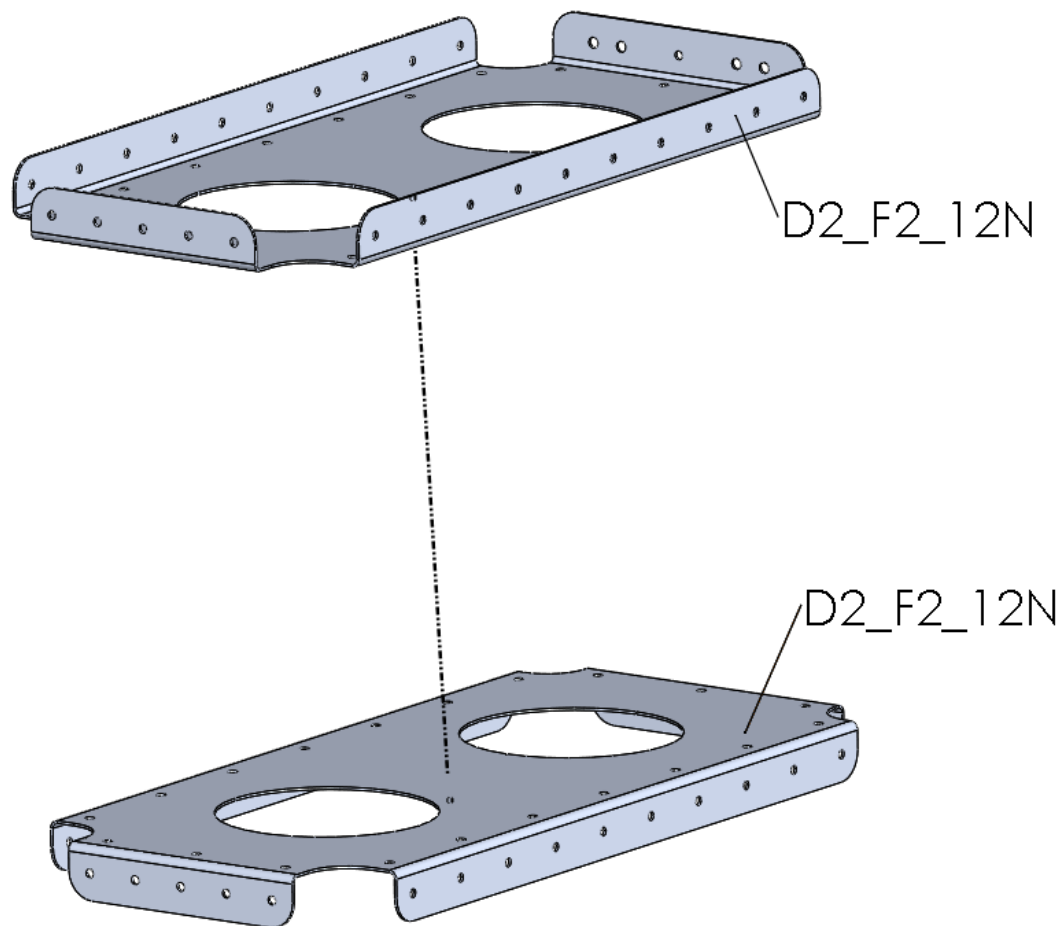
Step 29



Title	Document no.	Revision	Page	Pages
Fuselage assembly manual	D2_F0_00	Rev. 05	130	406



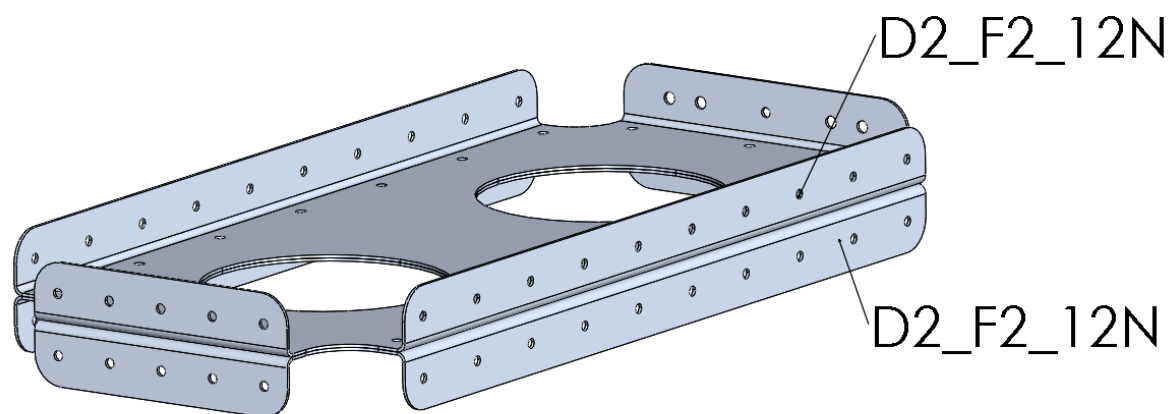
Step 30



Title	Document no.	Revision	Page	Pages
Fuselage assembly manual	D2_F0_00	Rev. 05	131	406



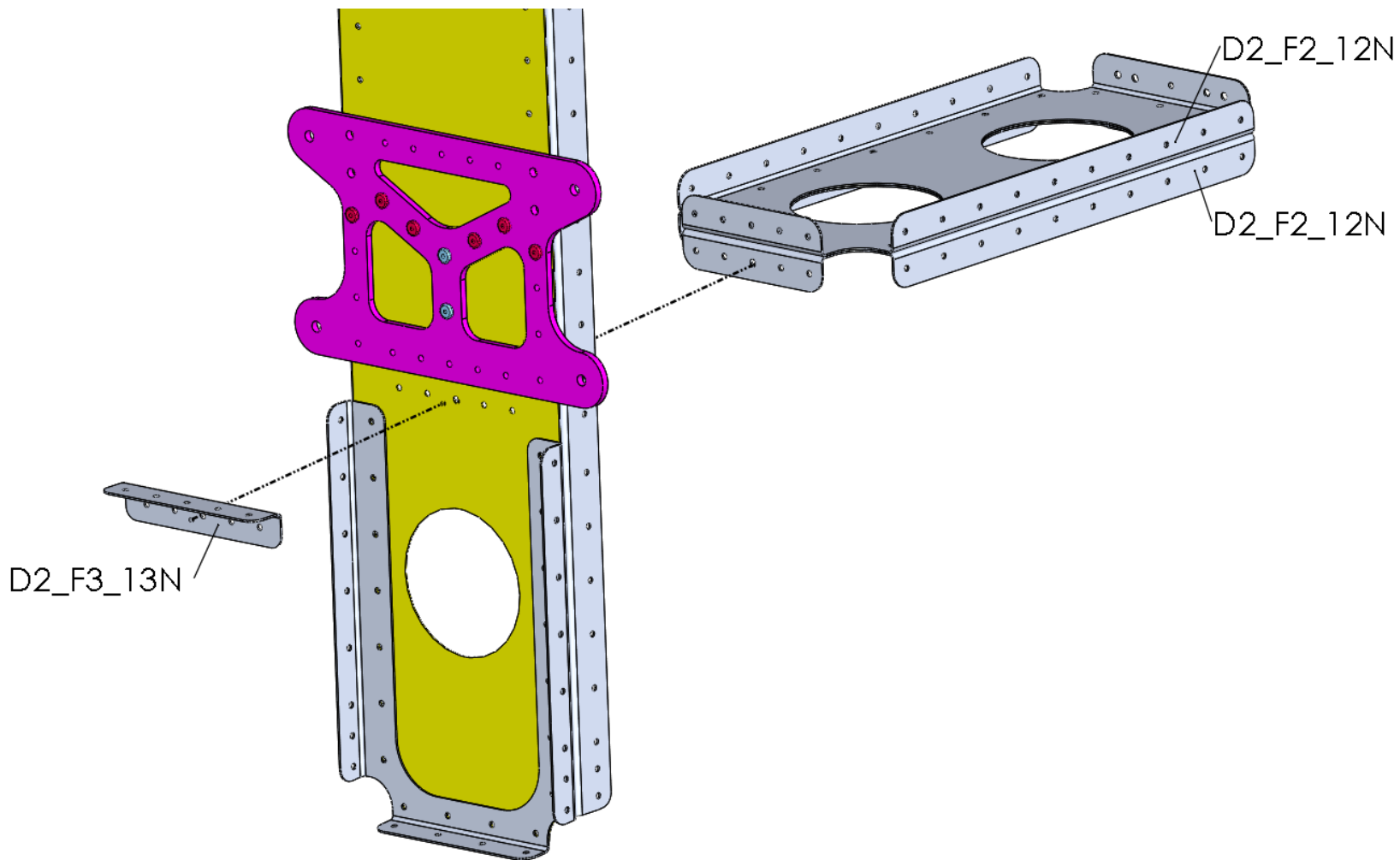
Step 31



Title	Document no.	Revision	Page	Pages
Fuselage assembly manual	D2_F0_00	Rev. 05	132	406



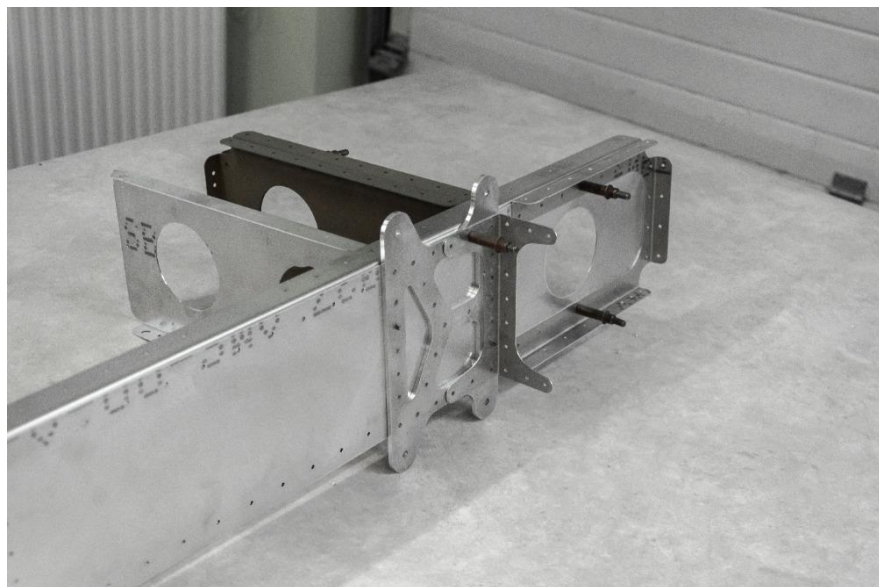
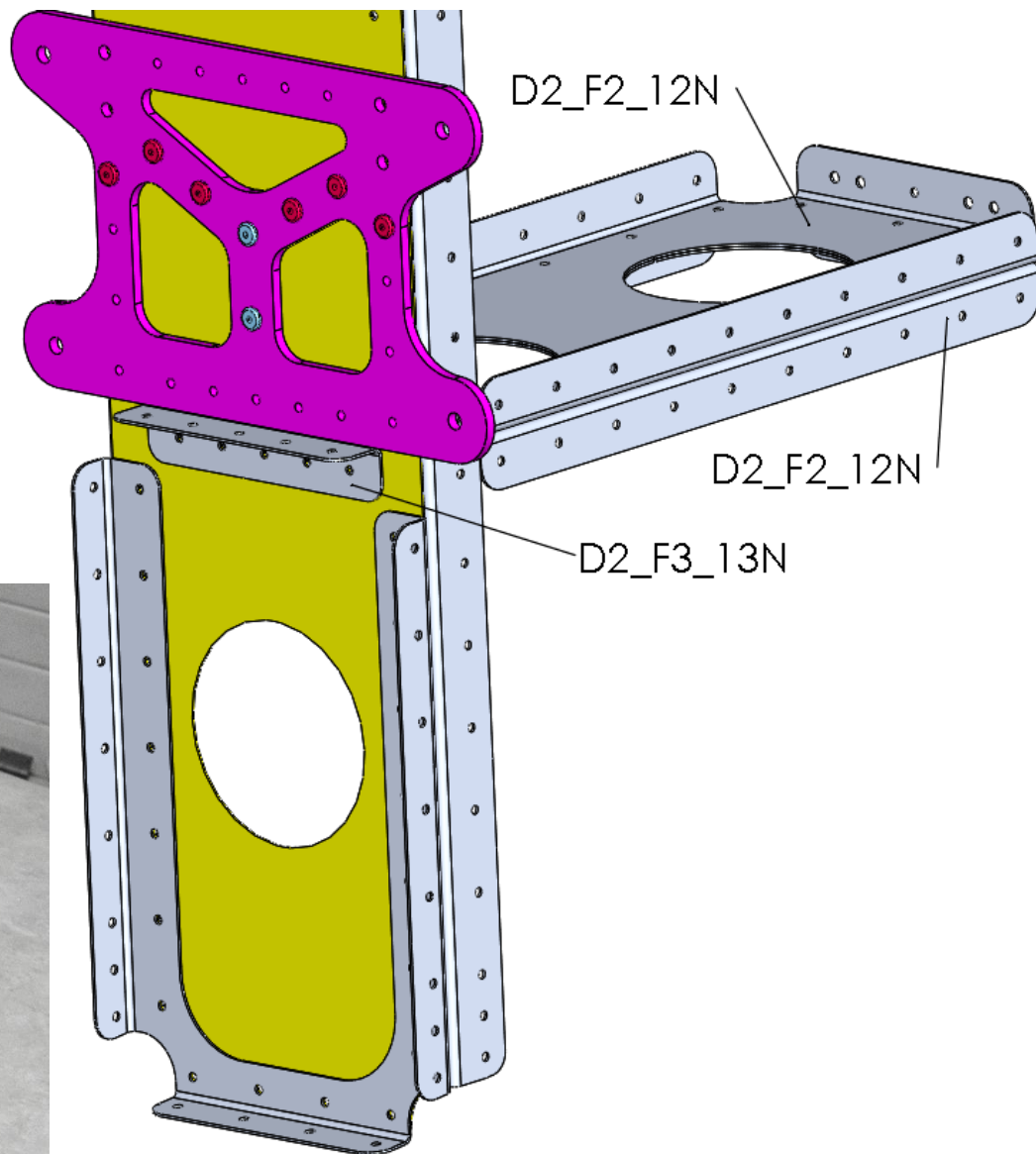
Step 32



Title	Document no.	Revision	Page	Pages
Fuselage assembly manual	D2_F0_00	Rev. 05	133	406



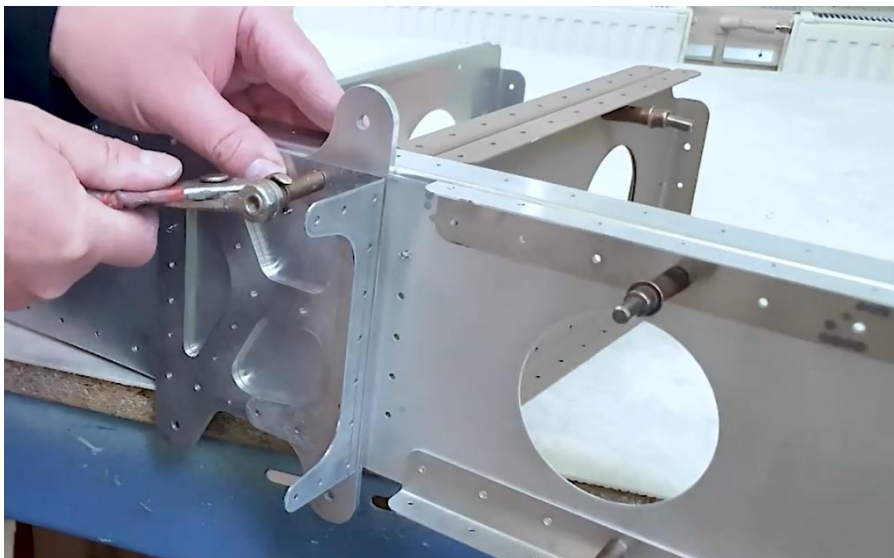
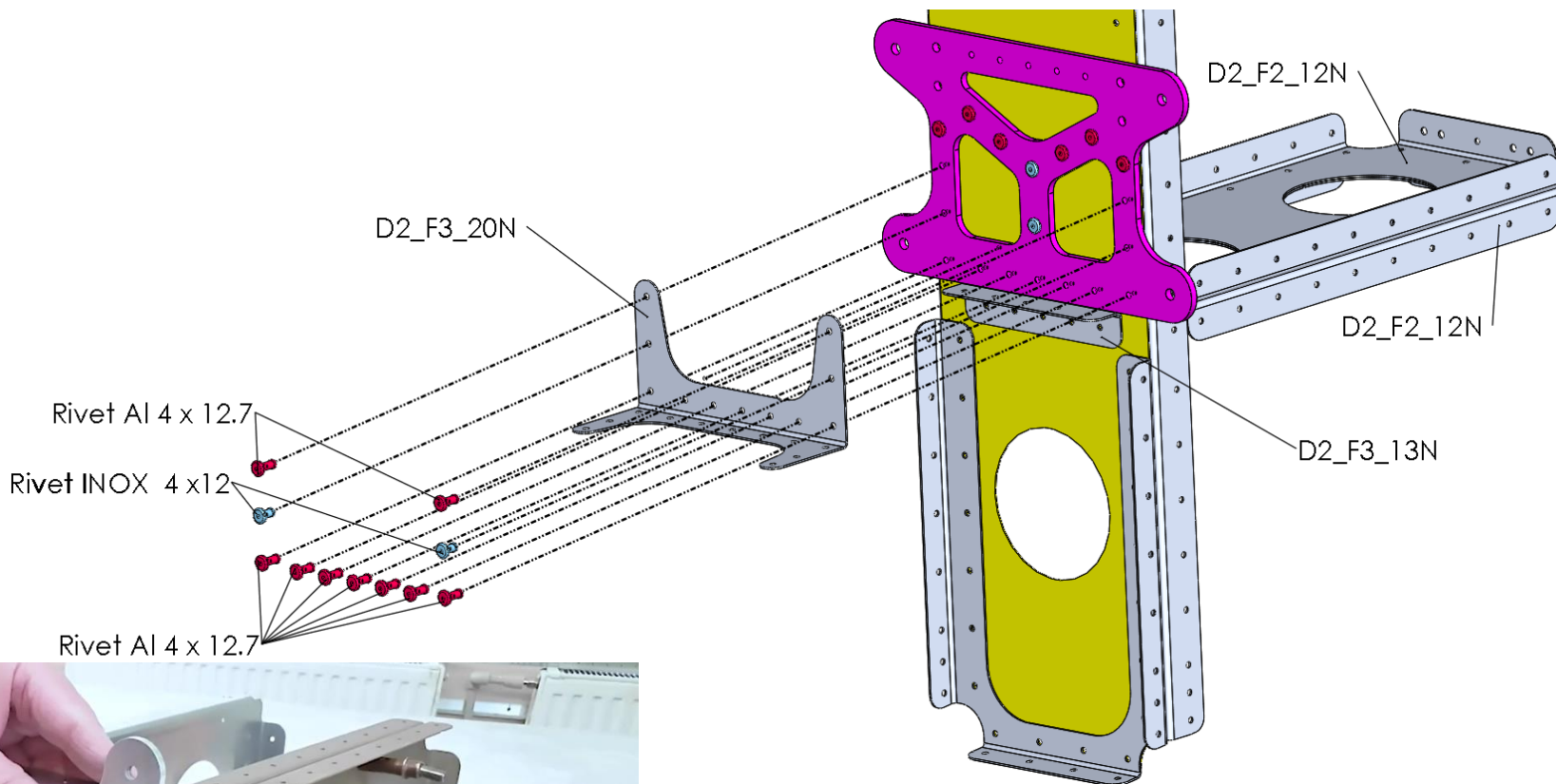
Step 33



Title	Document no.	Revision	Page	Pages
Fuselage assembly manual	D2_F0_00	Rev. 05	134	406



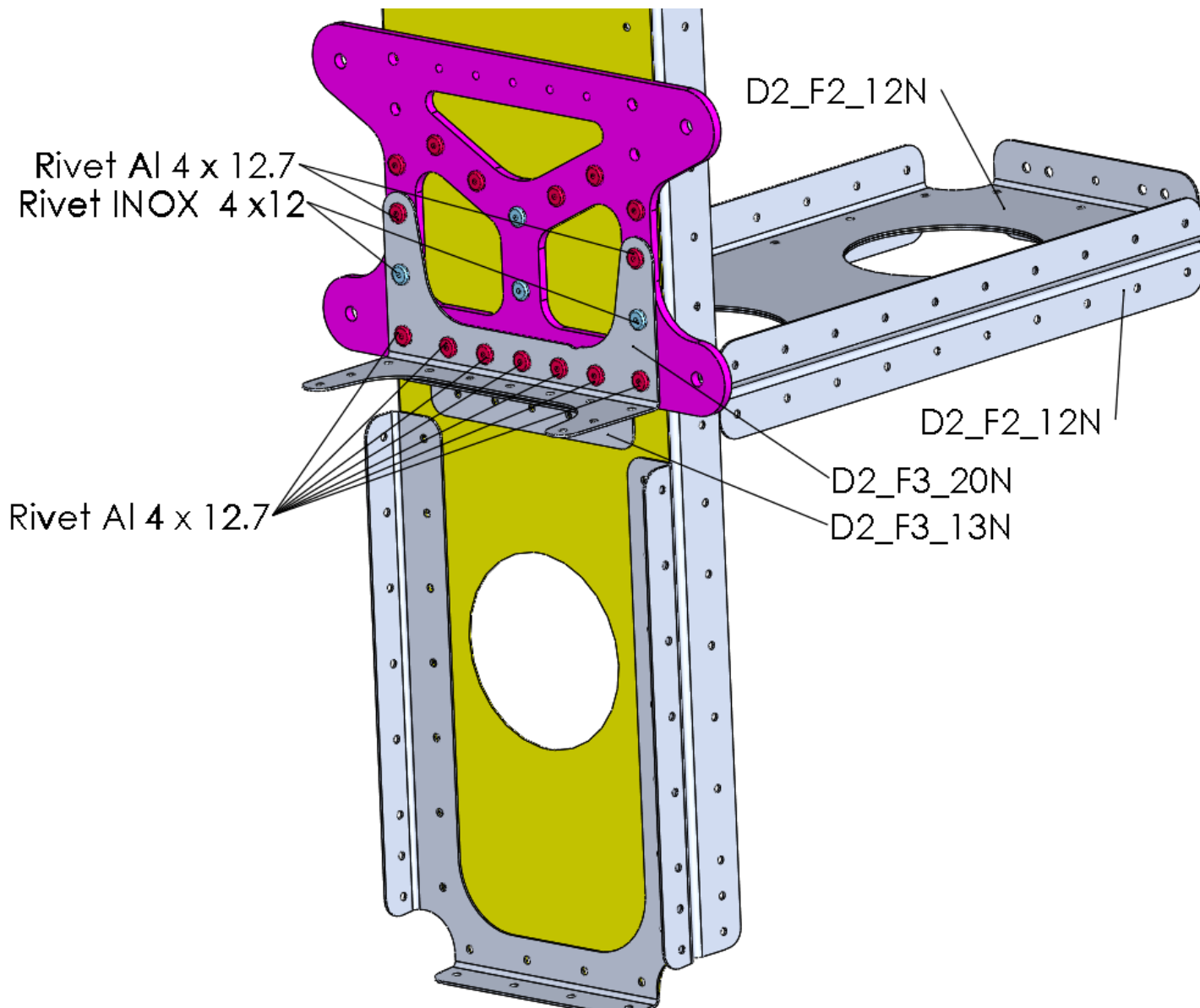
Step 34



Title	Document no.	Revision	Page	Pages
Fuselage assembly manual	D2_F0_00	Rev. 05	135	406



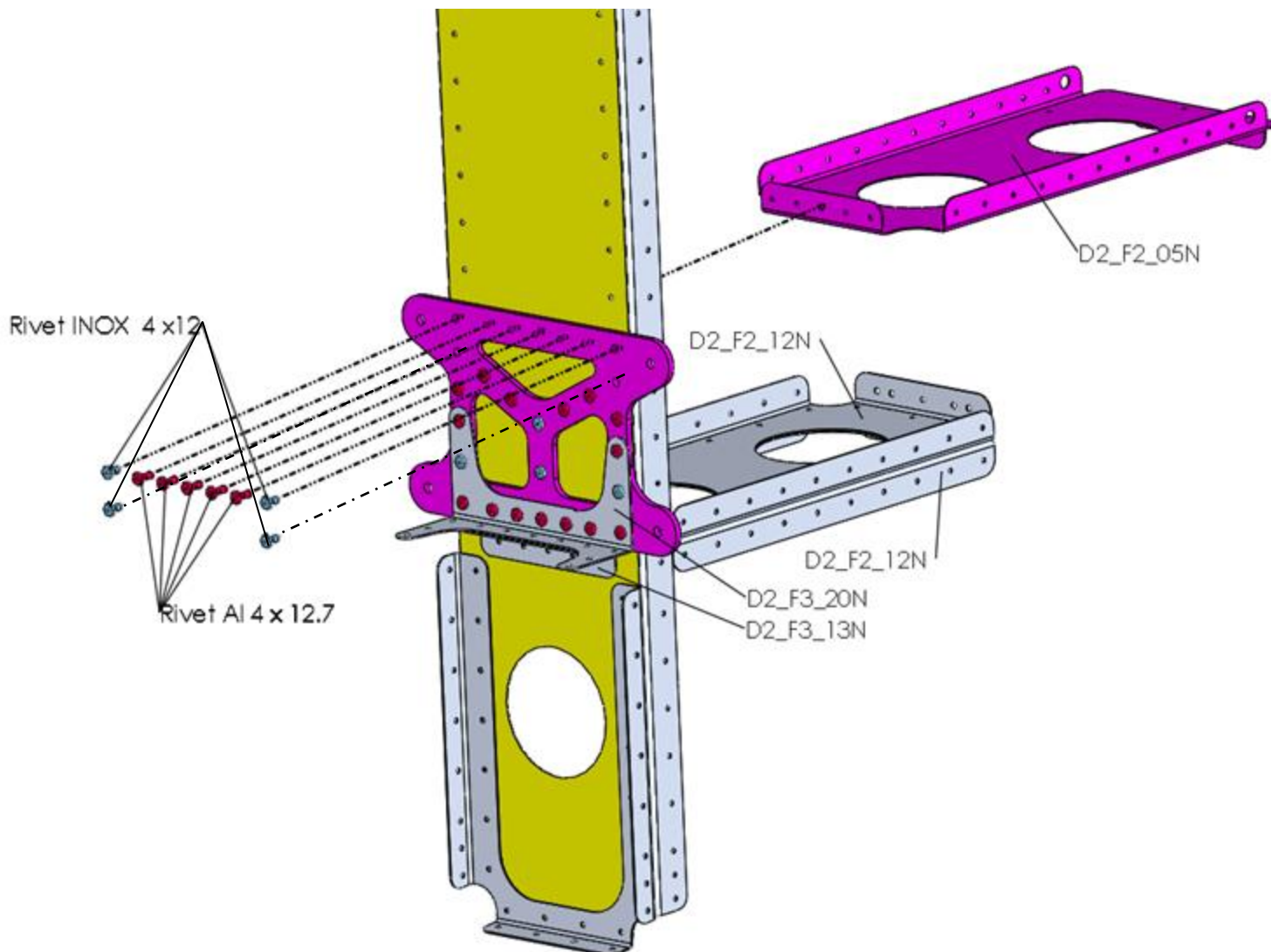
Step 35



Title	Document no.	Revision	Page	Pages
Fuselage assembly manual	D2_F0_00	Rev. 05	136	406



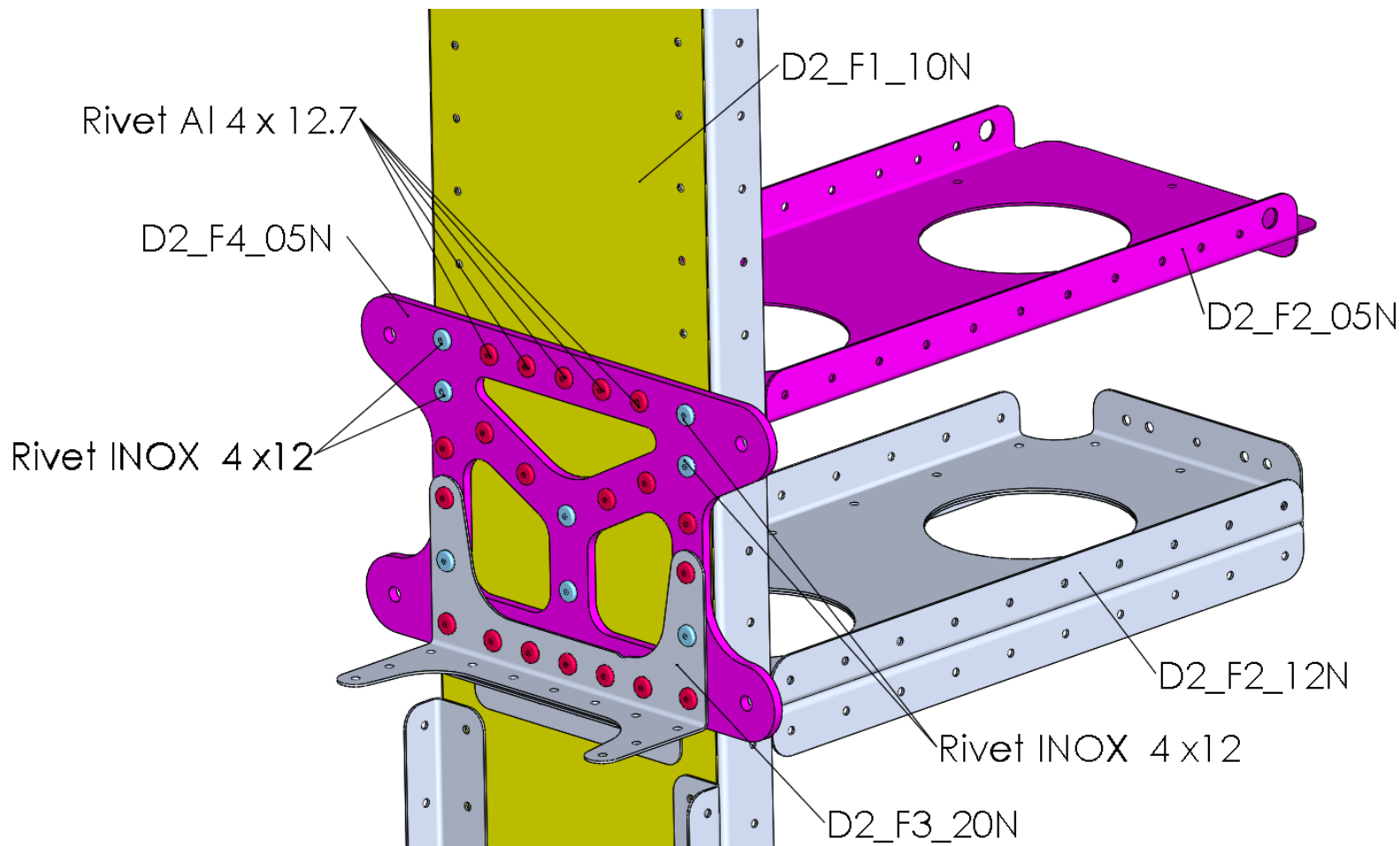
Step 36



Title	Document no.	Revision	Page	Pages
Fuselage assembly manual	D2_F0_00	Rev. 05	137	406



Step 37

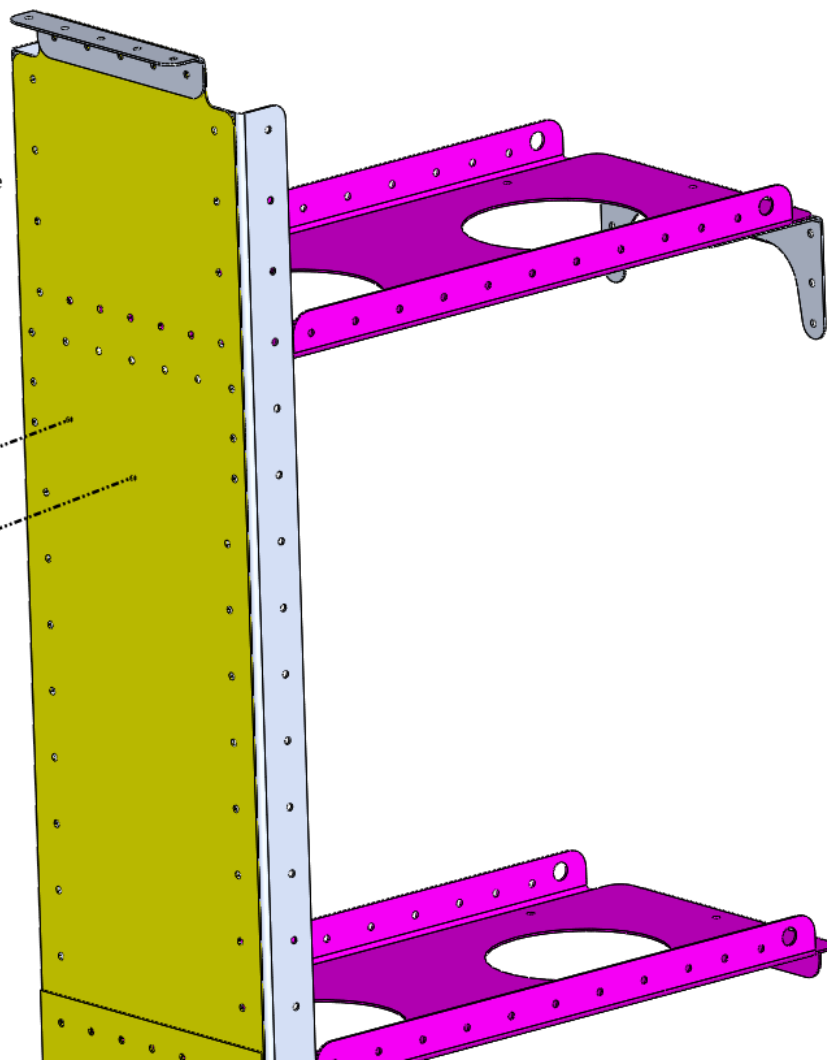


Title	Document no.	Revision	Page	Pages
Fuselage assembly manual	D2_F0_00	Rev. 05	138	406



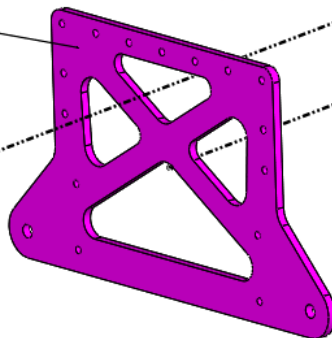
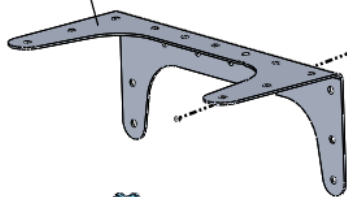
Step 38

Polyurethane adhesive
Emfimastic PU-50

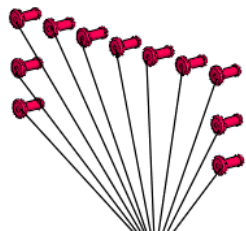


D2_F4_26N

D2_F3_20N



Rivet INOX 4 x 12



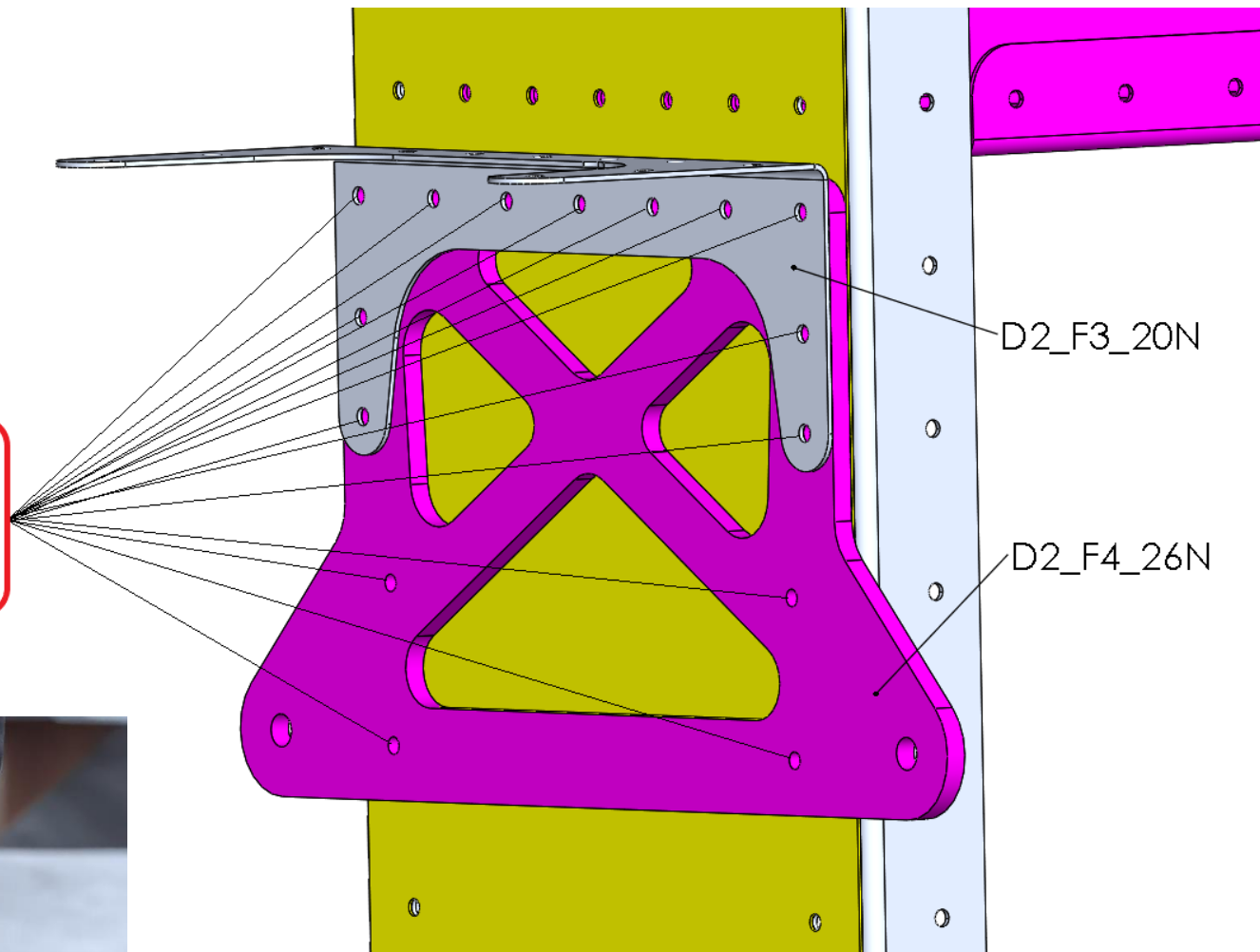
Rivet Al 4 x 12.7

Title	Document no.	Revision	Page	Pages
Fuselage assembly manual	D2_F0_00	Rev. 05	139	406



Step 39

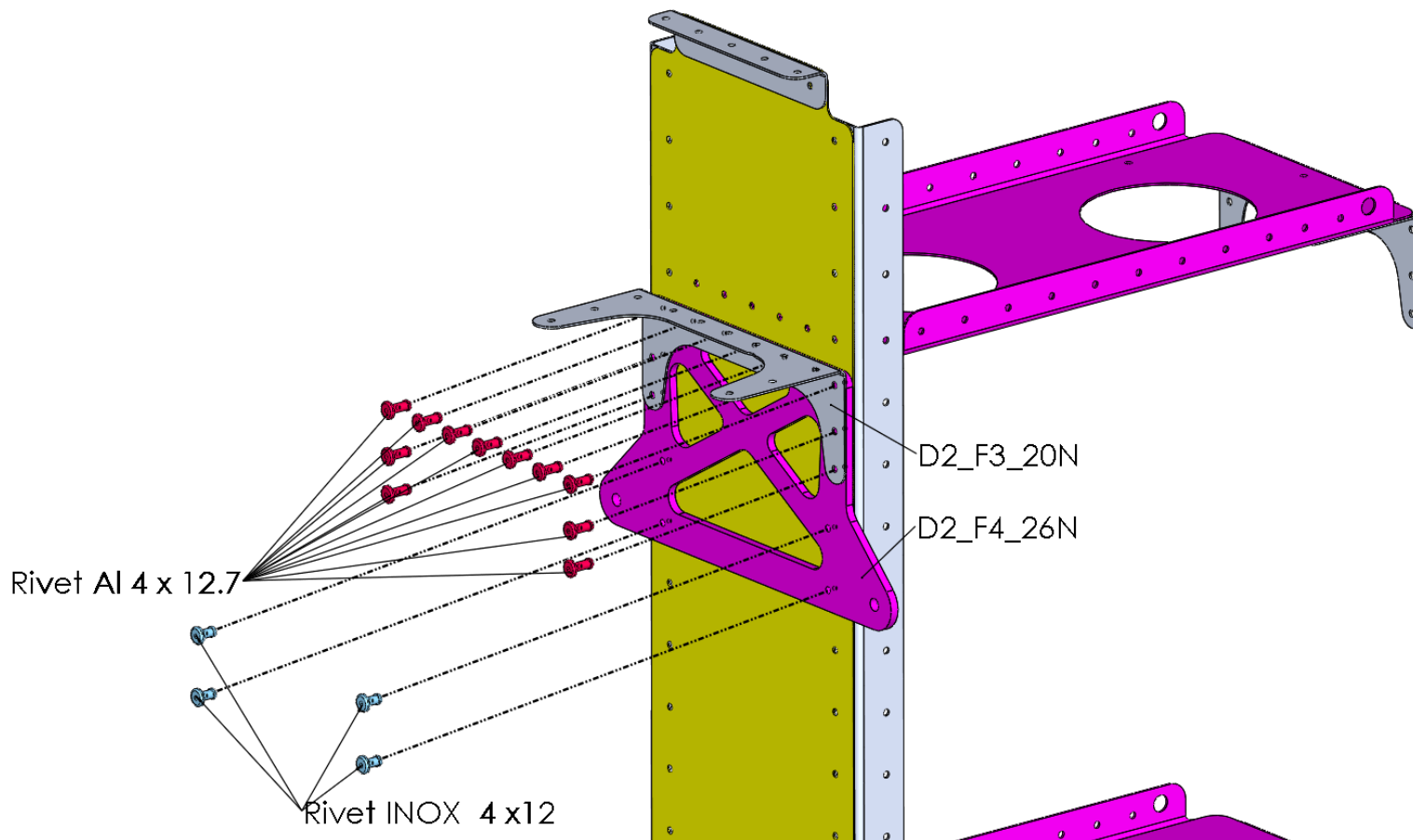
Hole Ø4mm



Title	Document no.	Revision	Page	Pages
Fuselage assembly manual	D2_F0_00	Rev. 05	140	406



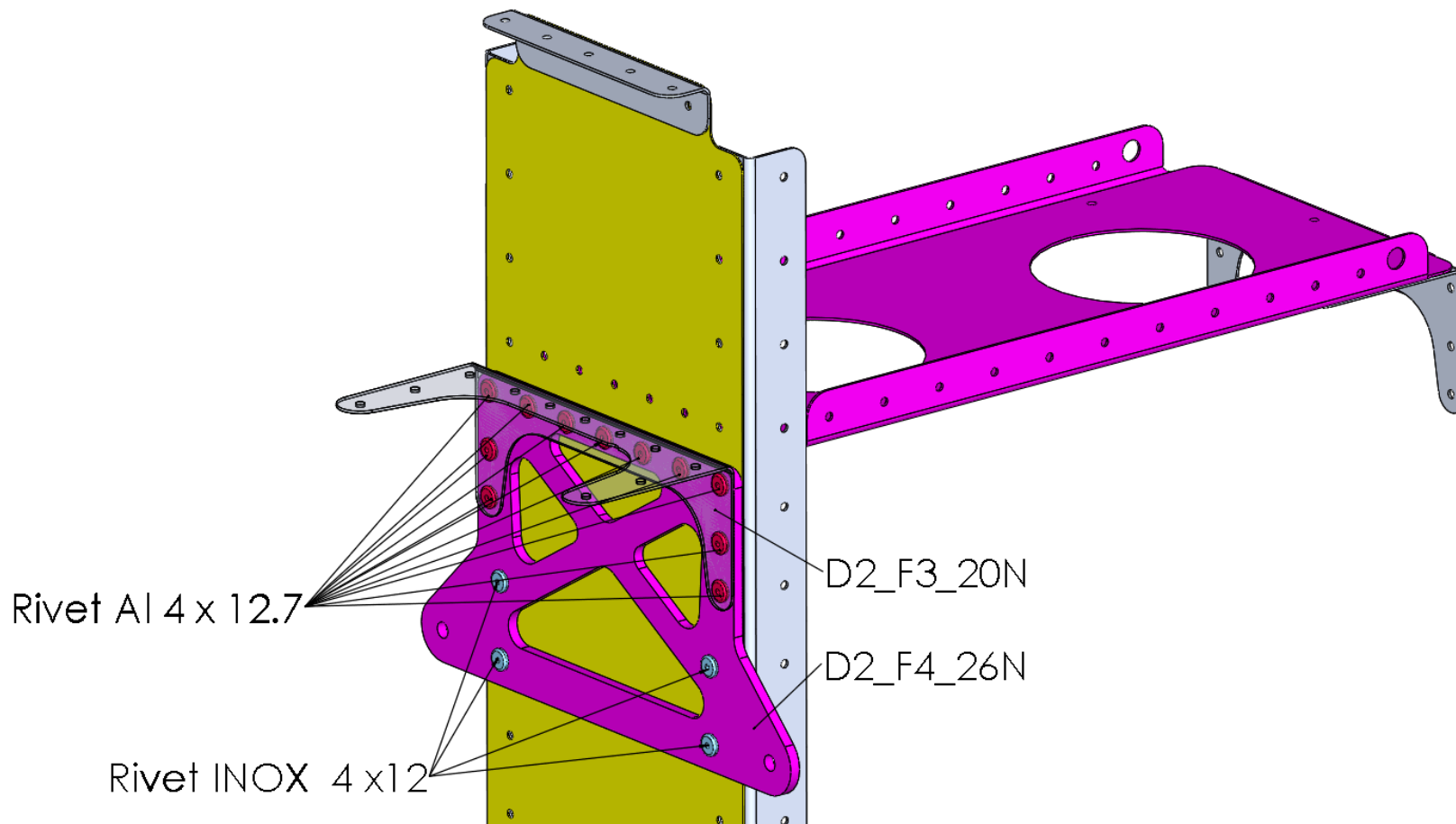
Step 40



Title	Document no.	Revision	Page	Pages
Fuselage assembly manual	D2_F0_00	Rev. 05	141	406



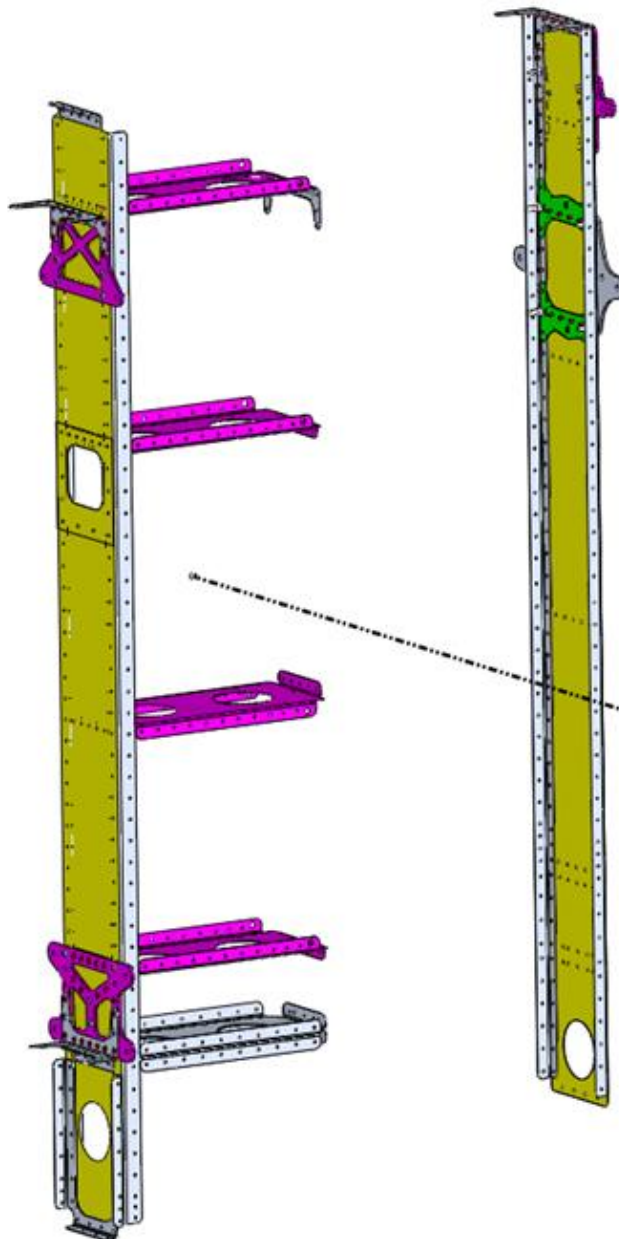
Step 41



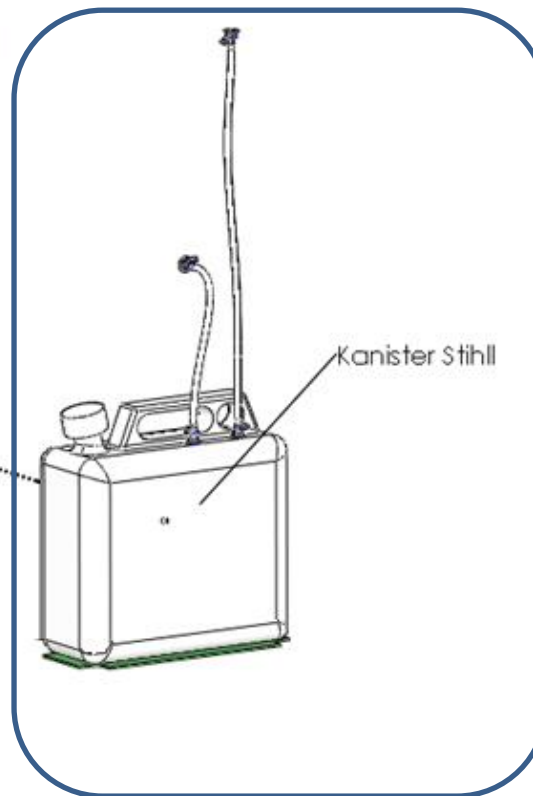
Title	Document no.	Revision	Page	Pages
Fuselage assembly manual	D2_F0_00	Rev. 05	142	406



Step 42



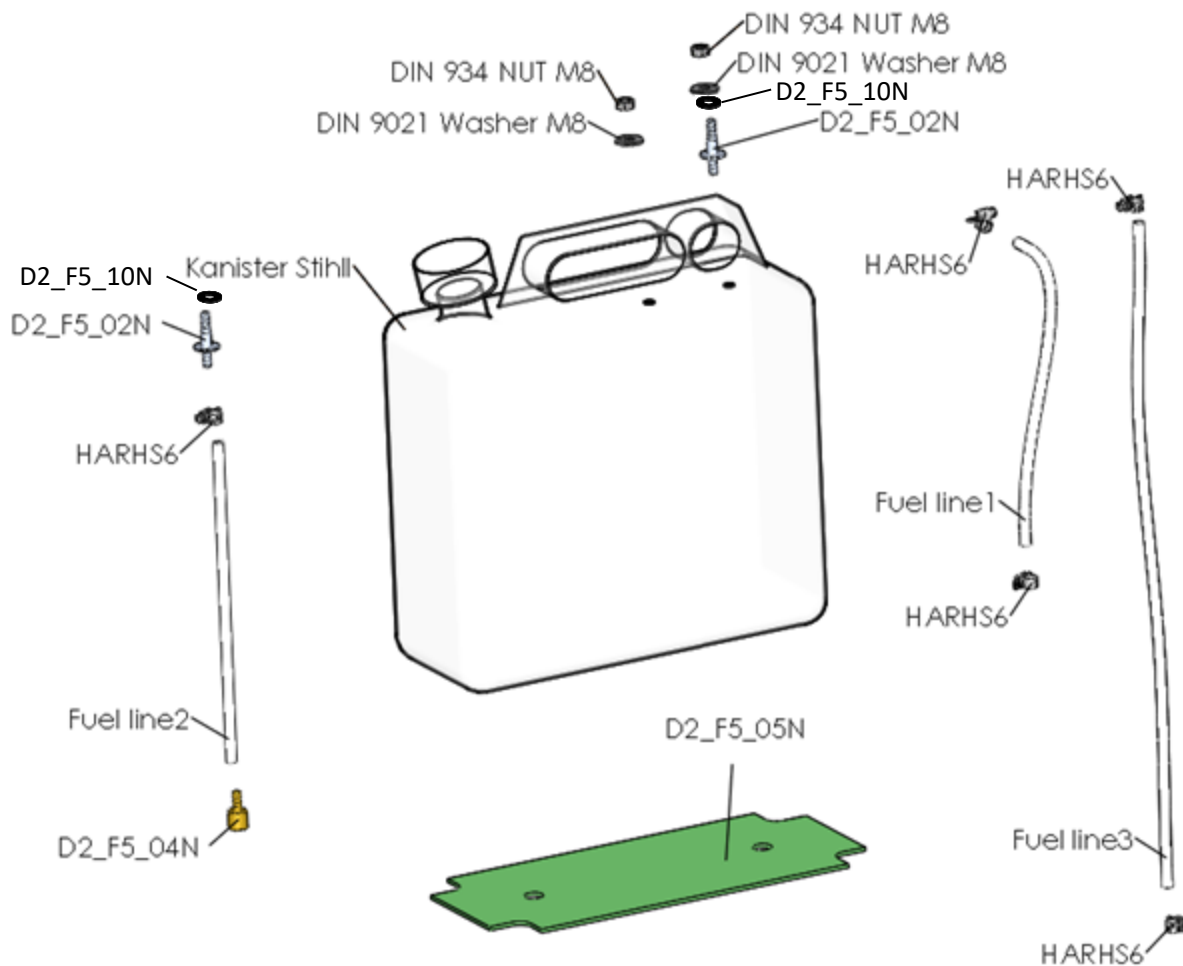
Step 42-A



Title	Document no.	Revision	Page	Pages
Fuselage assembly manual	D2_F0_00	Rev. 05	143	406



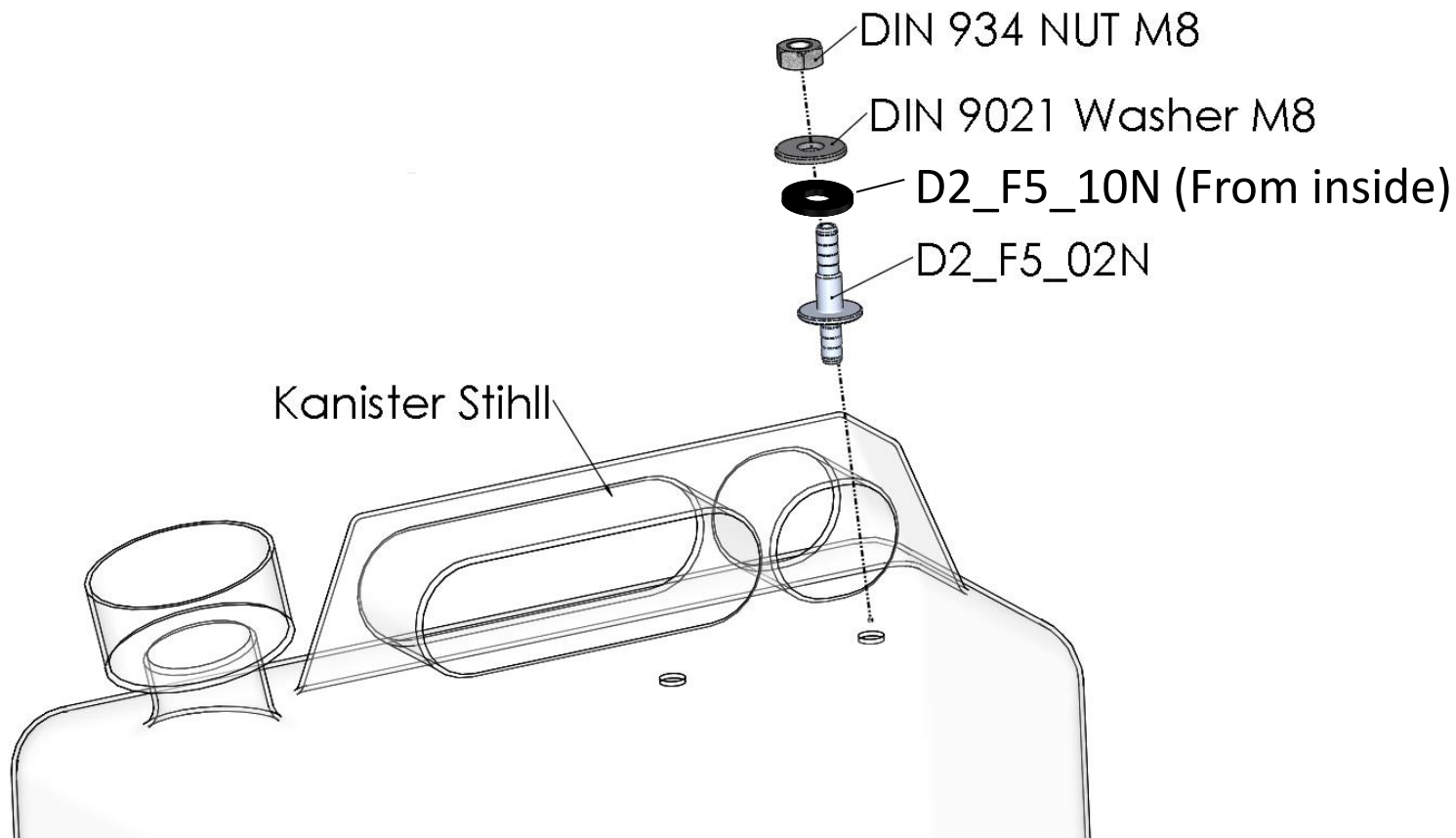
Step 42A



Title	Document no.	Revision	Page	Pages
Fuselage assembly manual	D2_F0_00	Rev. 05	144	406



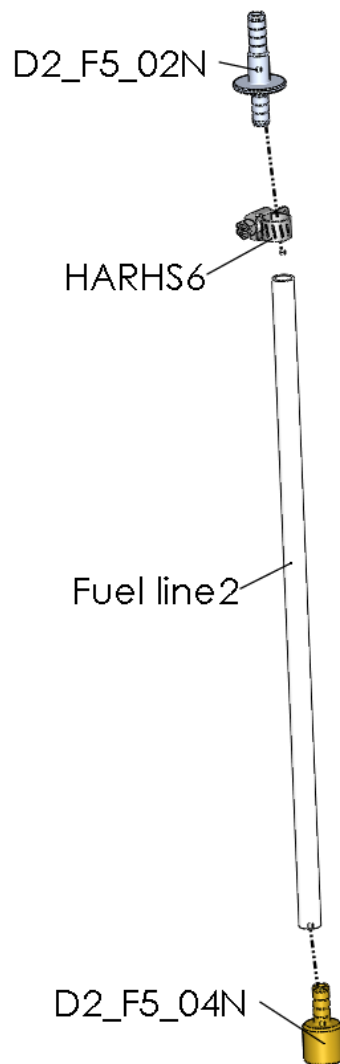
Step 42A-1



Title	Document no.	Revision	Page	Pages
Fuselage assembly manual	D2_F0_00	Rev. 05	145	406



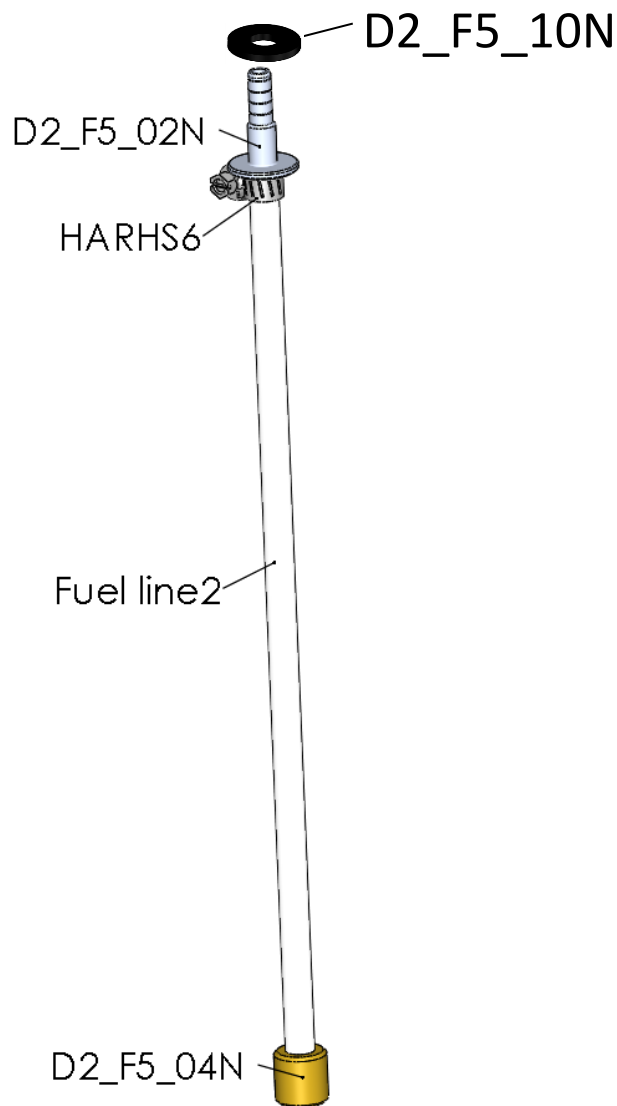
Step 42A-2



Title	Document no.	Revision	Page	Pages
Fuselage assembly manual	D2_F0_00	Rev. 05	146	406



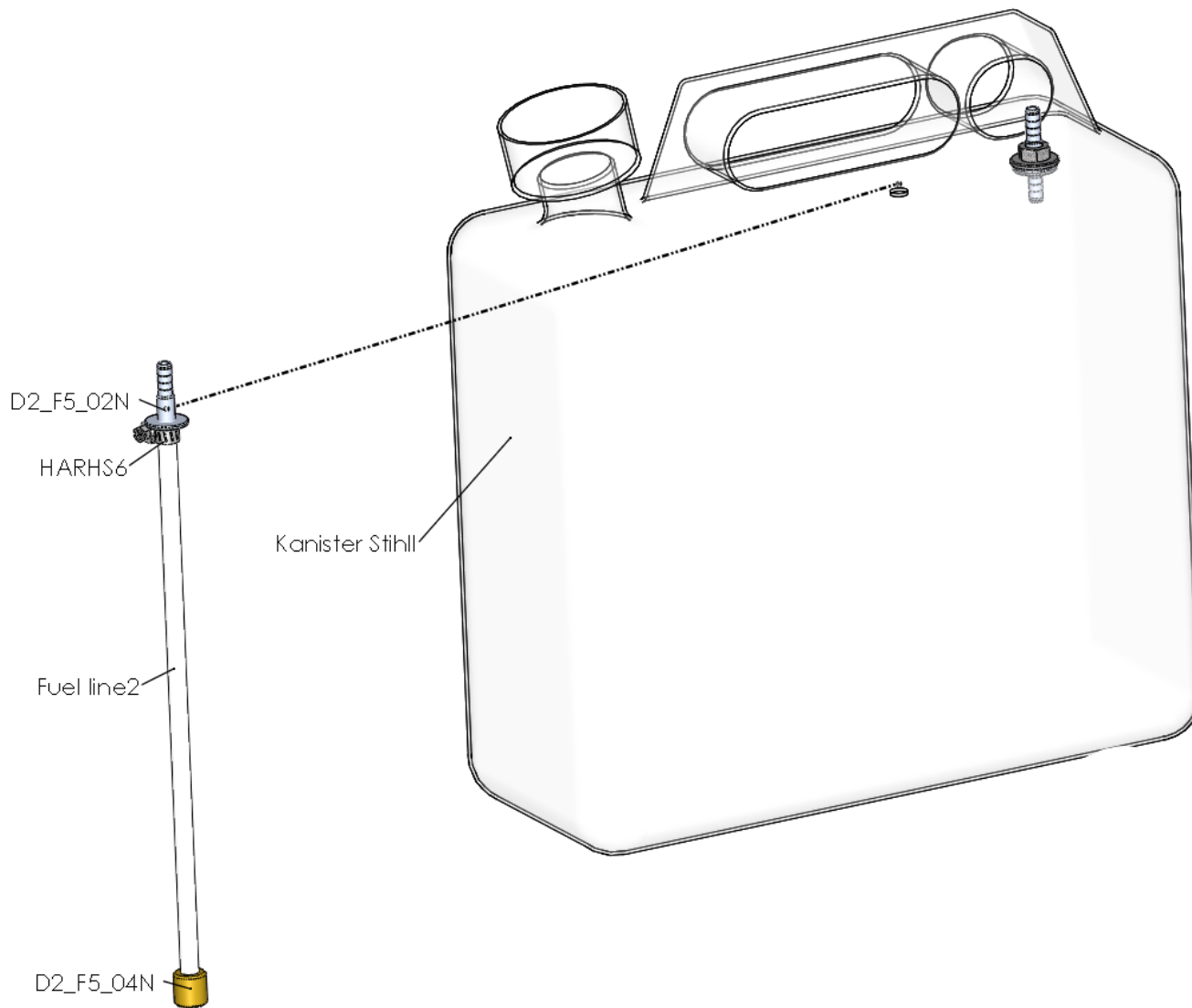
Step 42A-3



Title	Document no.	Revision	Page	Pages
Fuselage assembly manual	D2_F0_00	Rev. 05	147	406



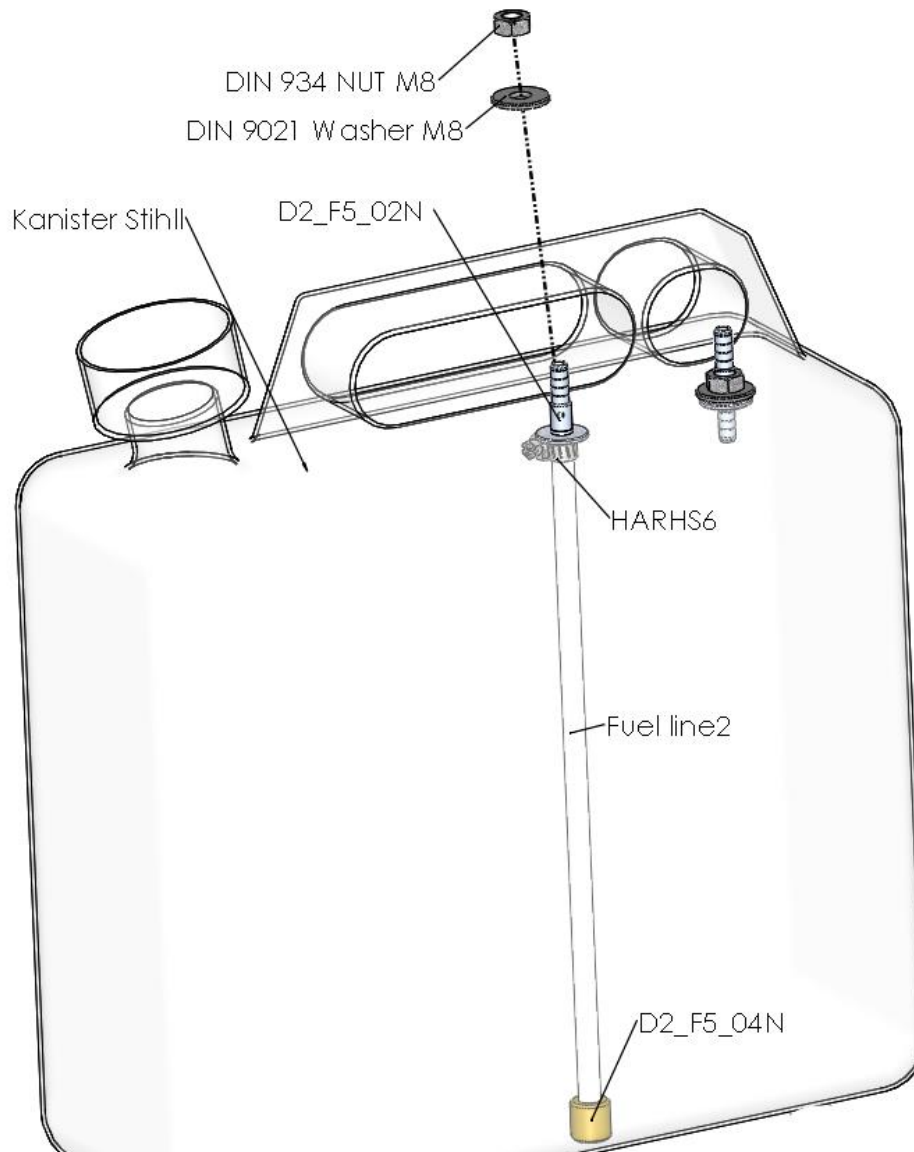
Step 42A-4



Title	Document no.	Revision	Page	Pages
Fuselage assembly manual	D2_F0_00	Rev. 05	148	406



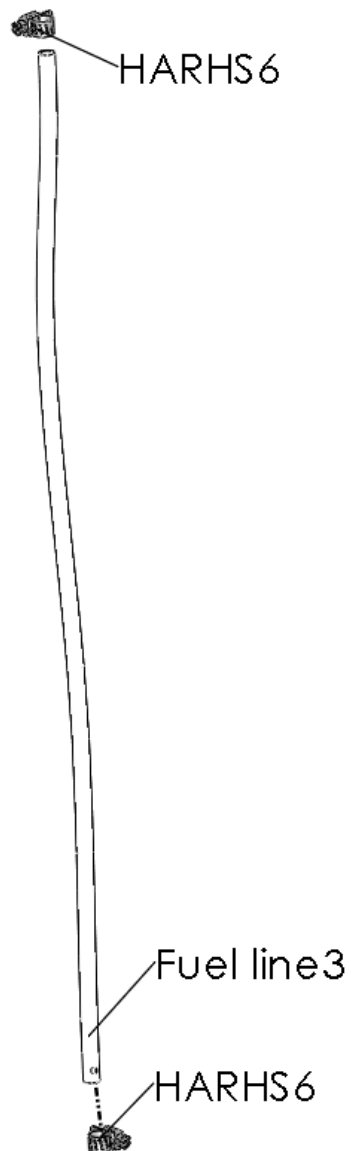
Step 42A-5



Title	Document no.	Revision	Page	Pages
Fuselage assembly manual	D2_F0_00	Rev. 05	149	406



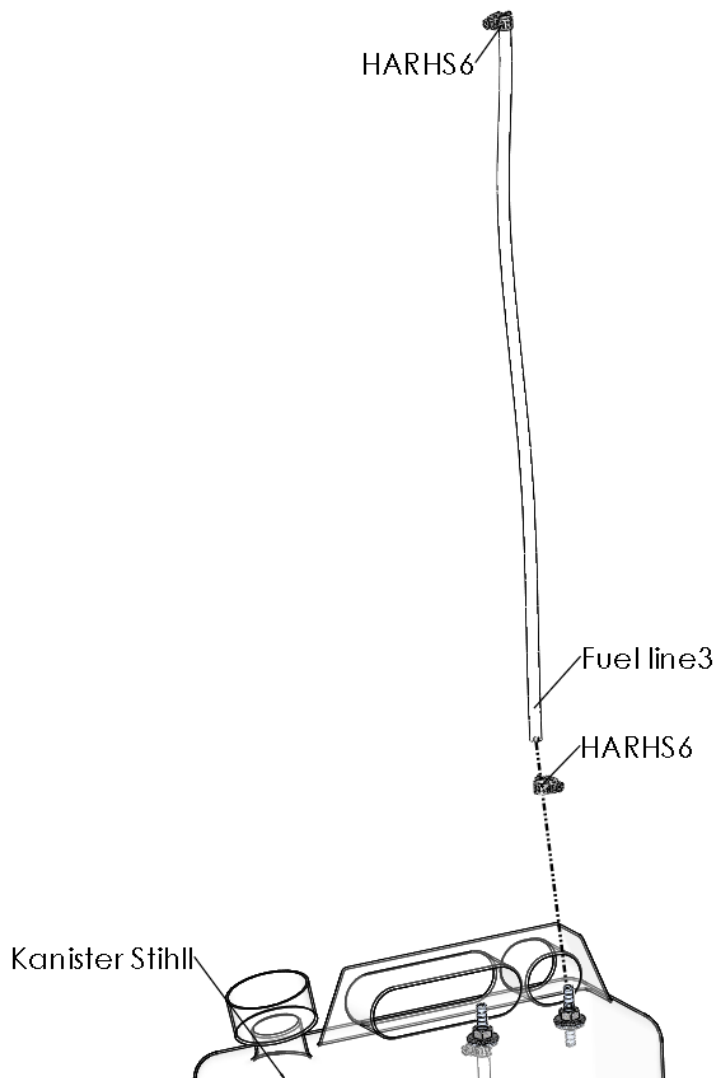
Step 42A-6



Title	Document no.	Revision	Page	Pages
Fuselage assembly manual	D2_F0_00	Rev. 05	150	406



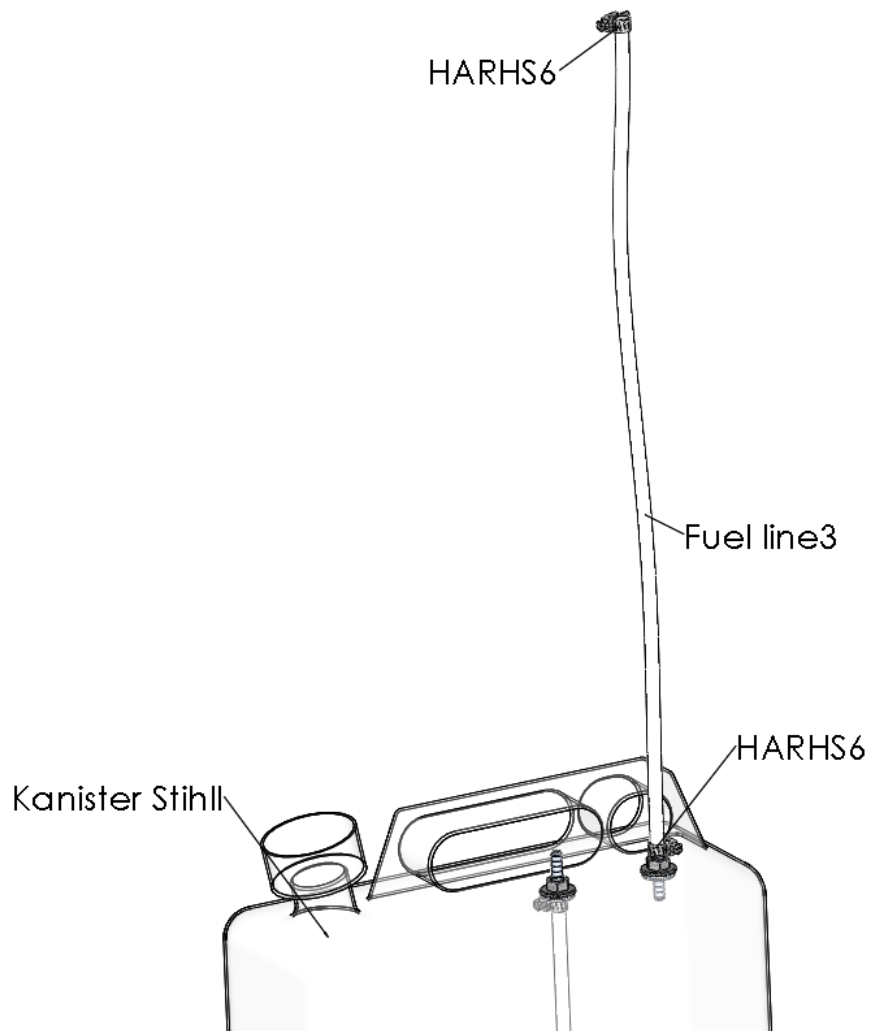
Step 42A-7



Title	Document no.	Revision	Page	Pages
Fuselage assembly manual	D2_F0_00	Rev. 05	151	406



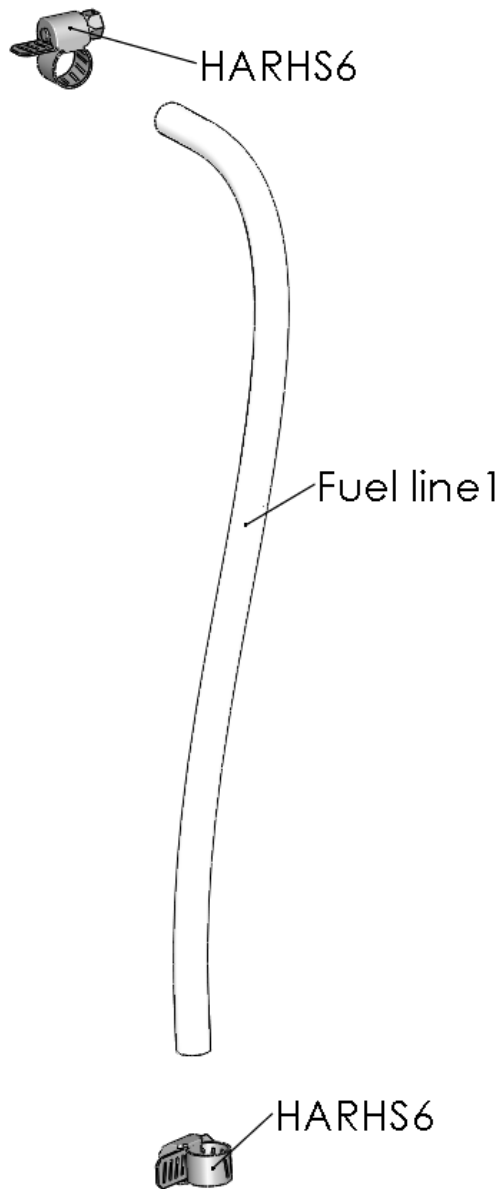
Step 42A-8



Title	Document no.	Revision	Page	Pages
Fuselage assembly manual	D2_F0_00	Rev. 05	152	406



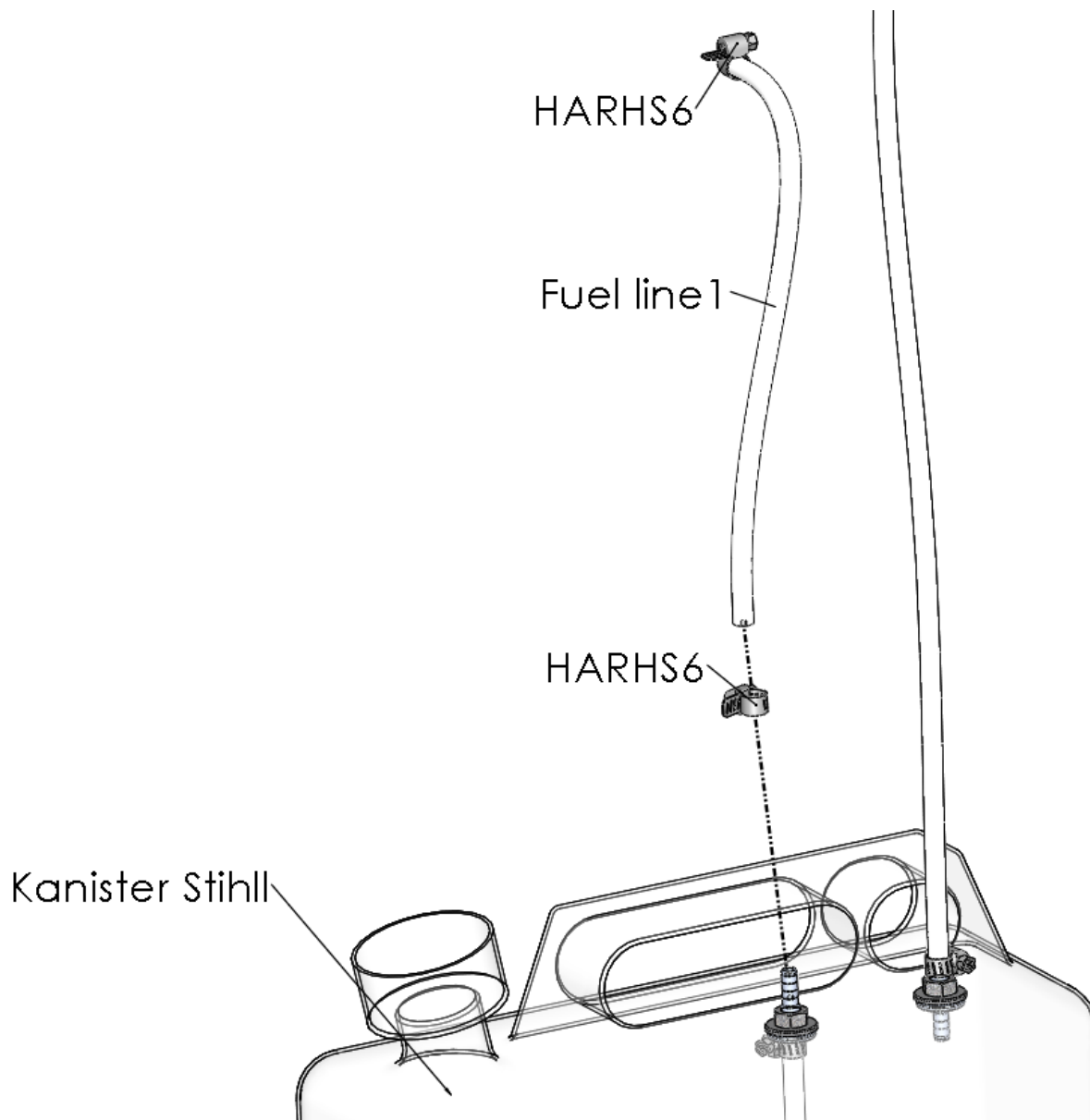
Step 42A-9



Title	Document no.	Revision	Page	Pages
Fuselage assembly manual	D2_F0_00	Rev. 05	153	406



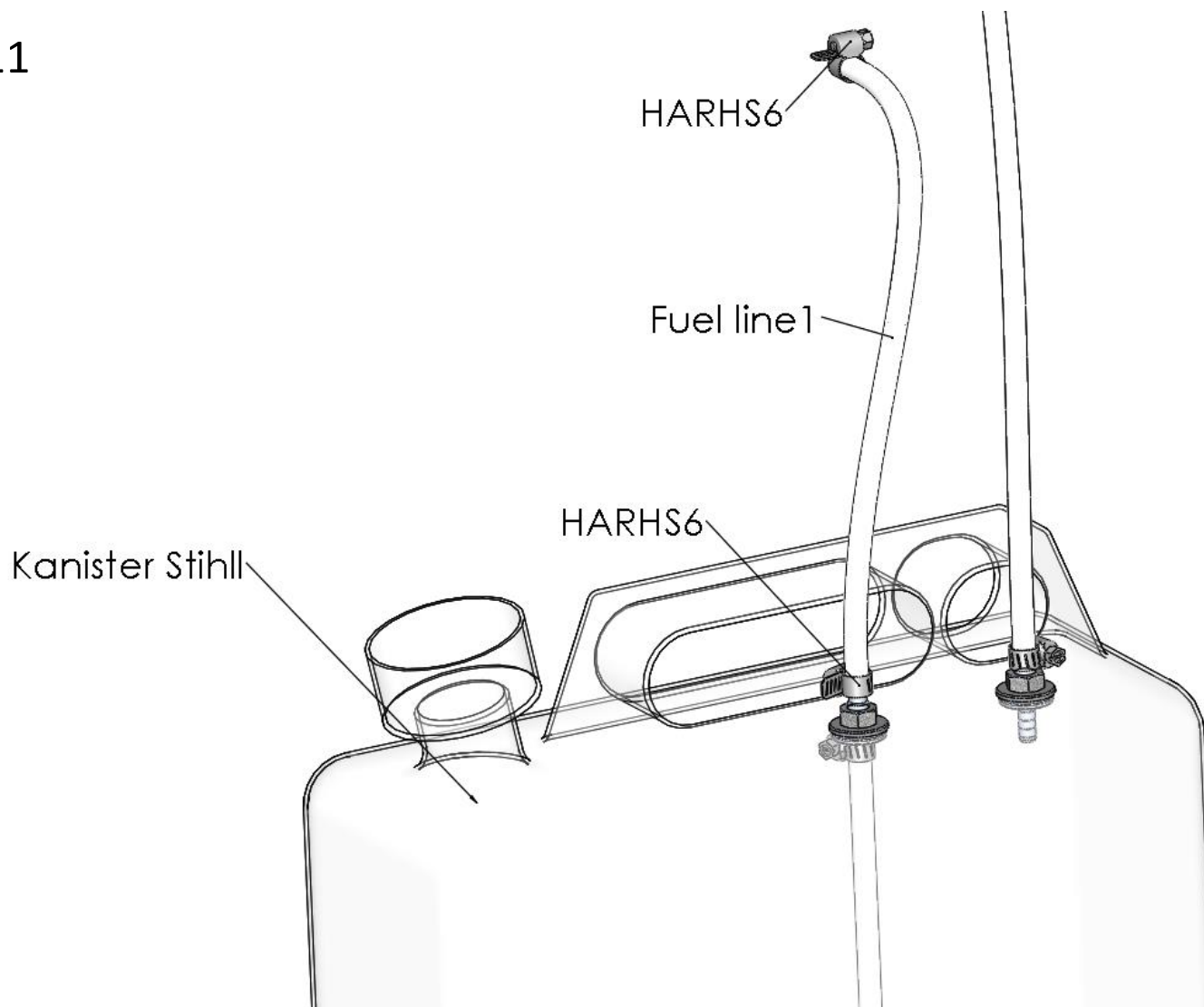
Step 42A-10



Title	Document no.	Revision	Page	Pages
Fuselage assembly manual	D2_F0_00	Rev. 05	154	406



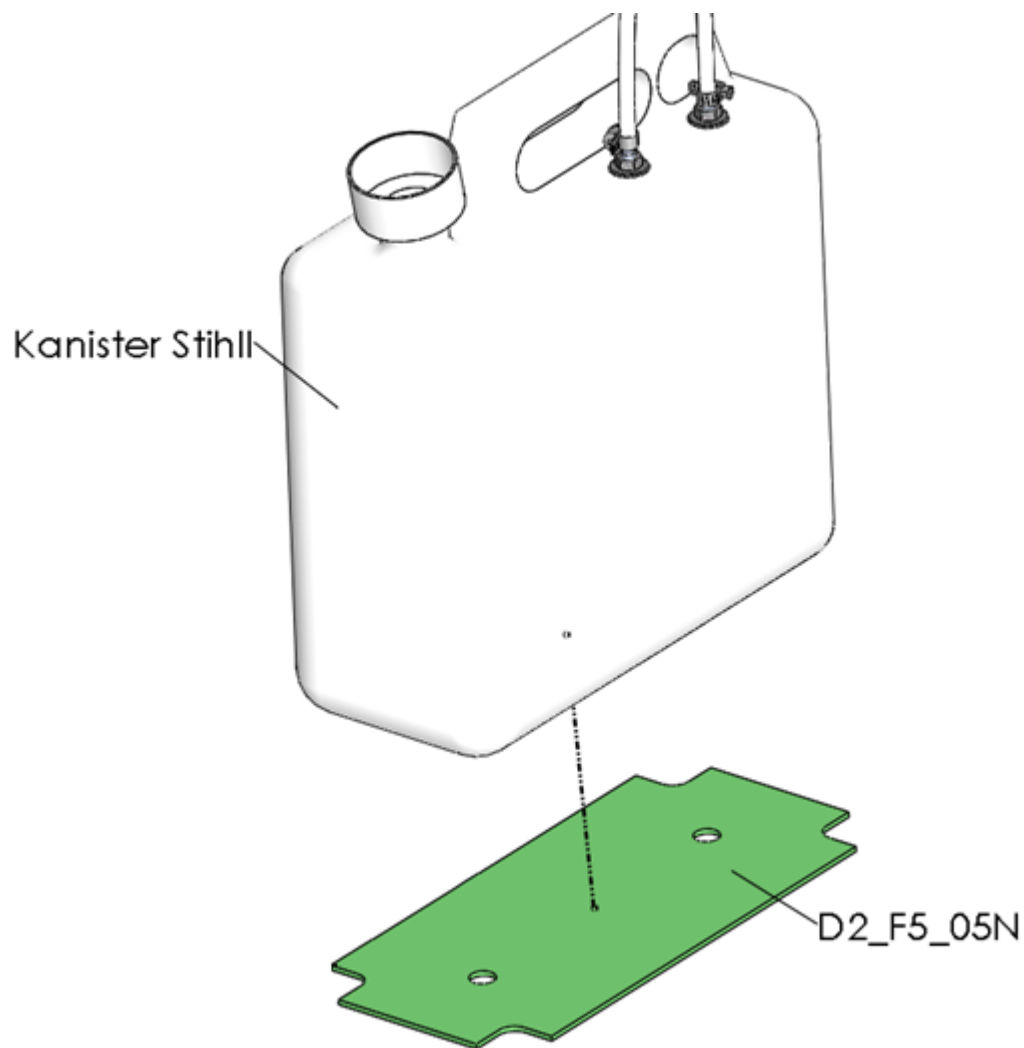
Step 42A-11



Title	Document no.	Revision	Page	Pages
Fuselage assembly manual	D2_F0_00	Rev. 05	155	406



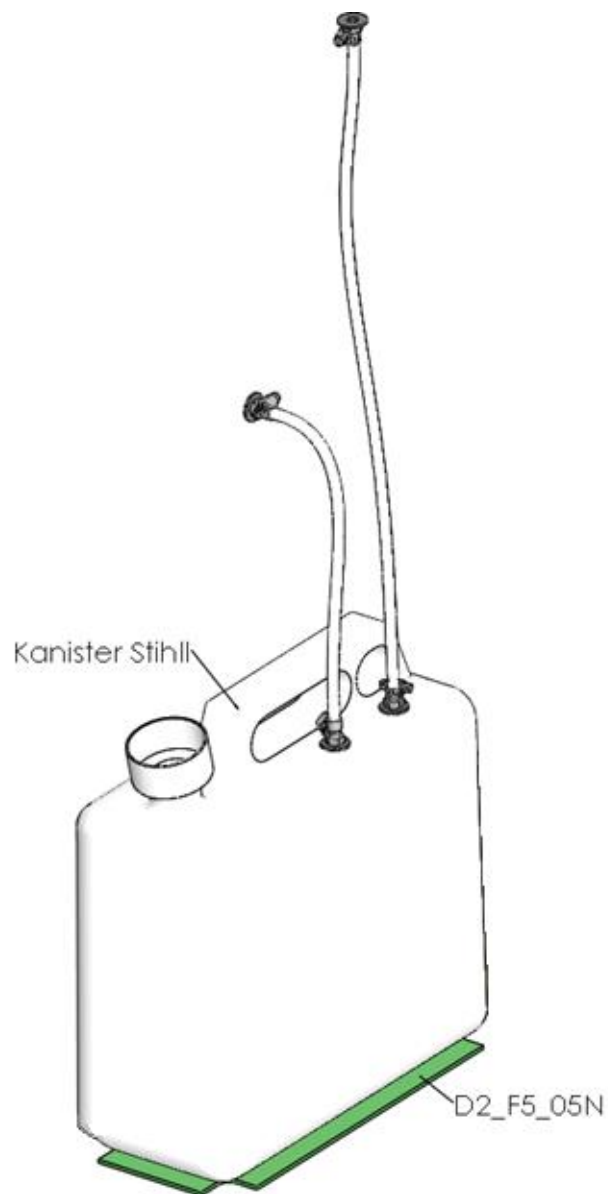
Step 42A-12



Title	Document no.	Revision	Page	Pages
Fuselage assembly manual	D2_F0_00	Rev. 05	156	406



Step 42A-13



Title	Document no.	Revision	Page	Pages
Fuselage assembly manual	D2_F0_00	Rev. 05	157	406

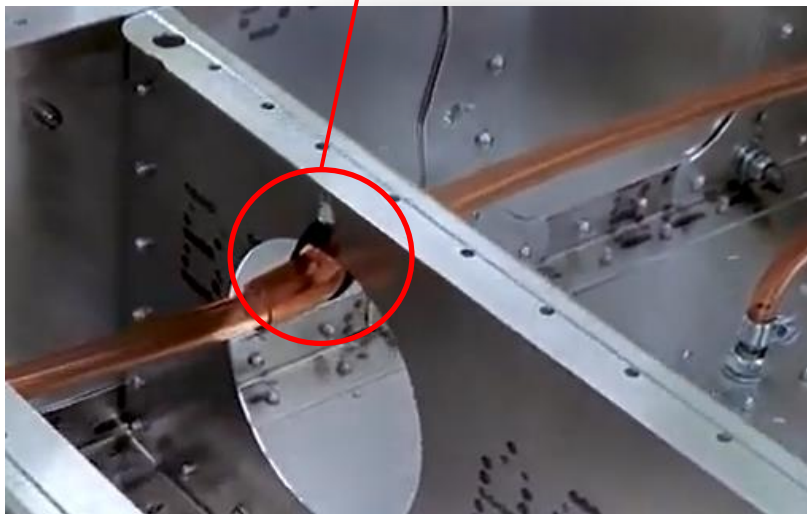
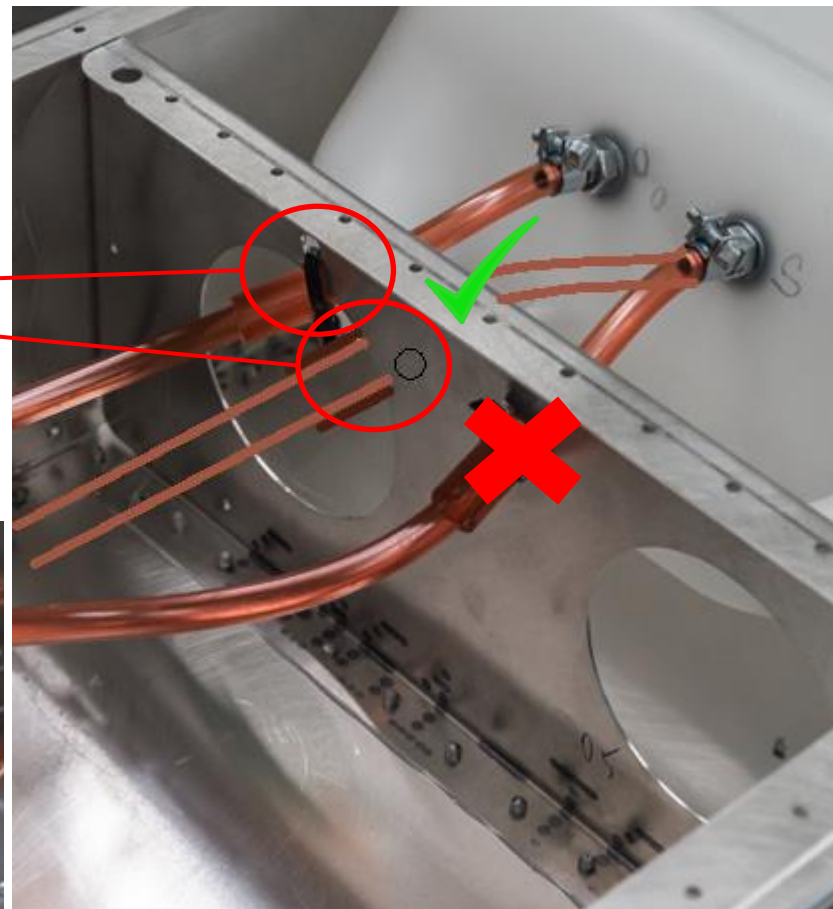


Step 42A-14

Φ4mm



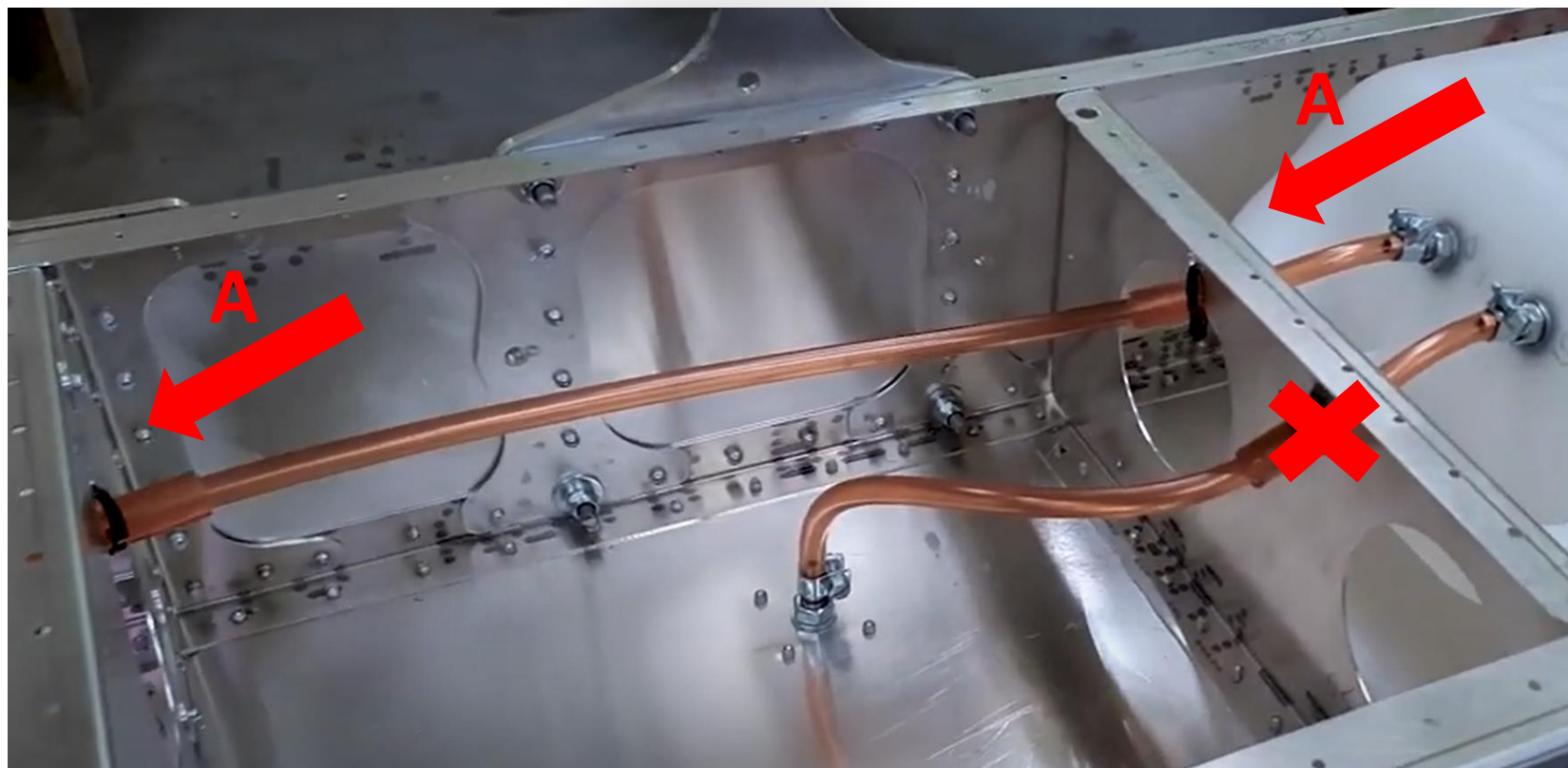
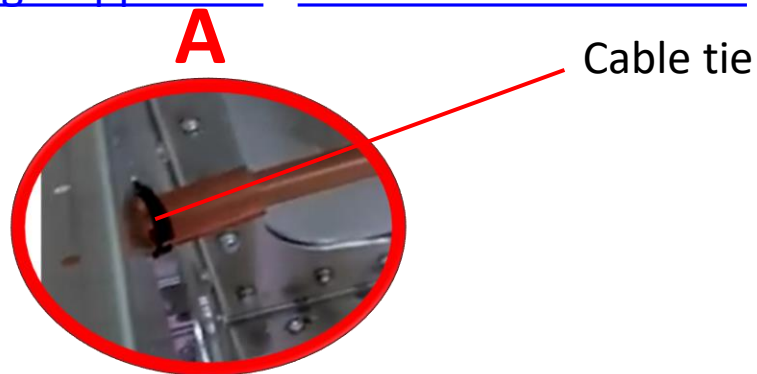
Cable tie



Title	Document no.	Revision	Page	Pages
Fuselage assembly manual	D2_F0_00	Rev. 05	158	406



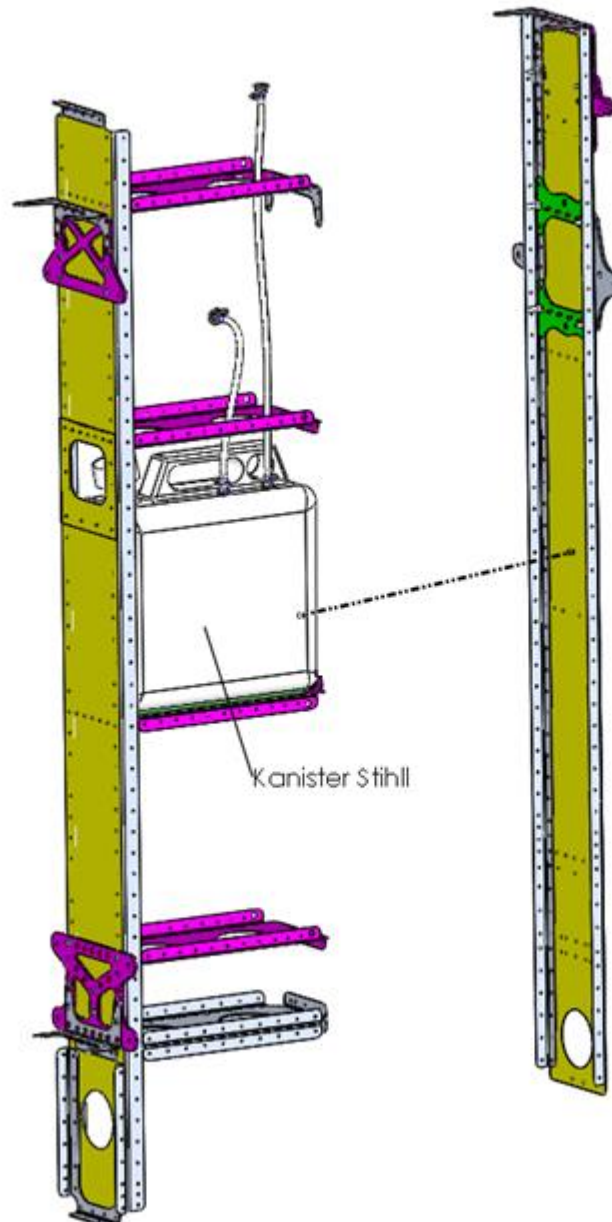
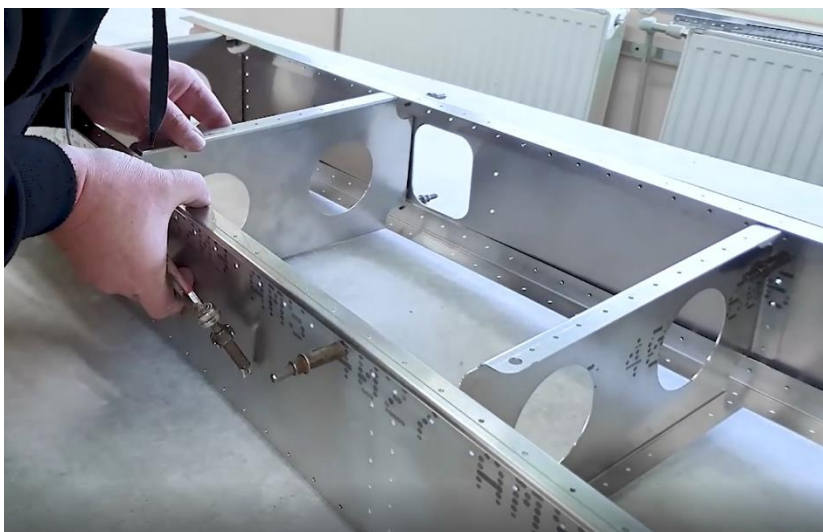
Step 42A-15



Title	Document no.	Revision	Page	Pages
Fuselage assembly manual	D2_F0_00	Rev. 05	159	406



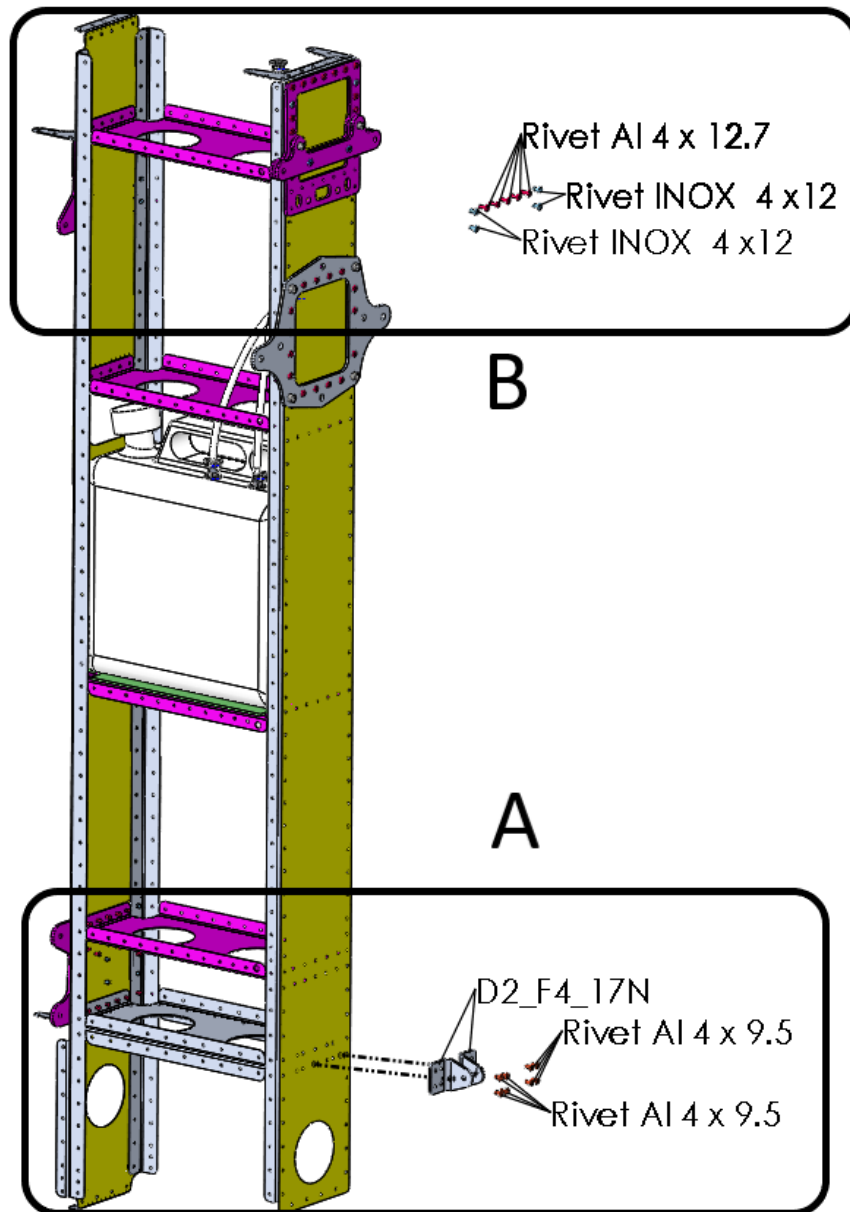
Step 43



Title	Document no.	Revision	Page	Pages
Fuselage assembly manual	D2_F0_00	Rev. 05	160	406



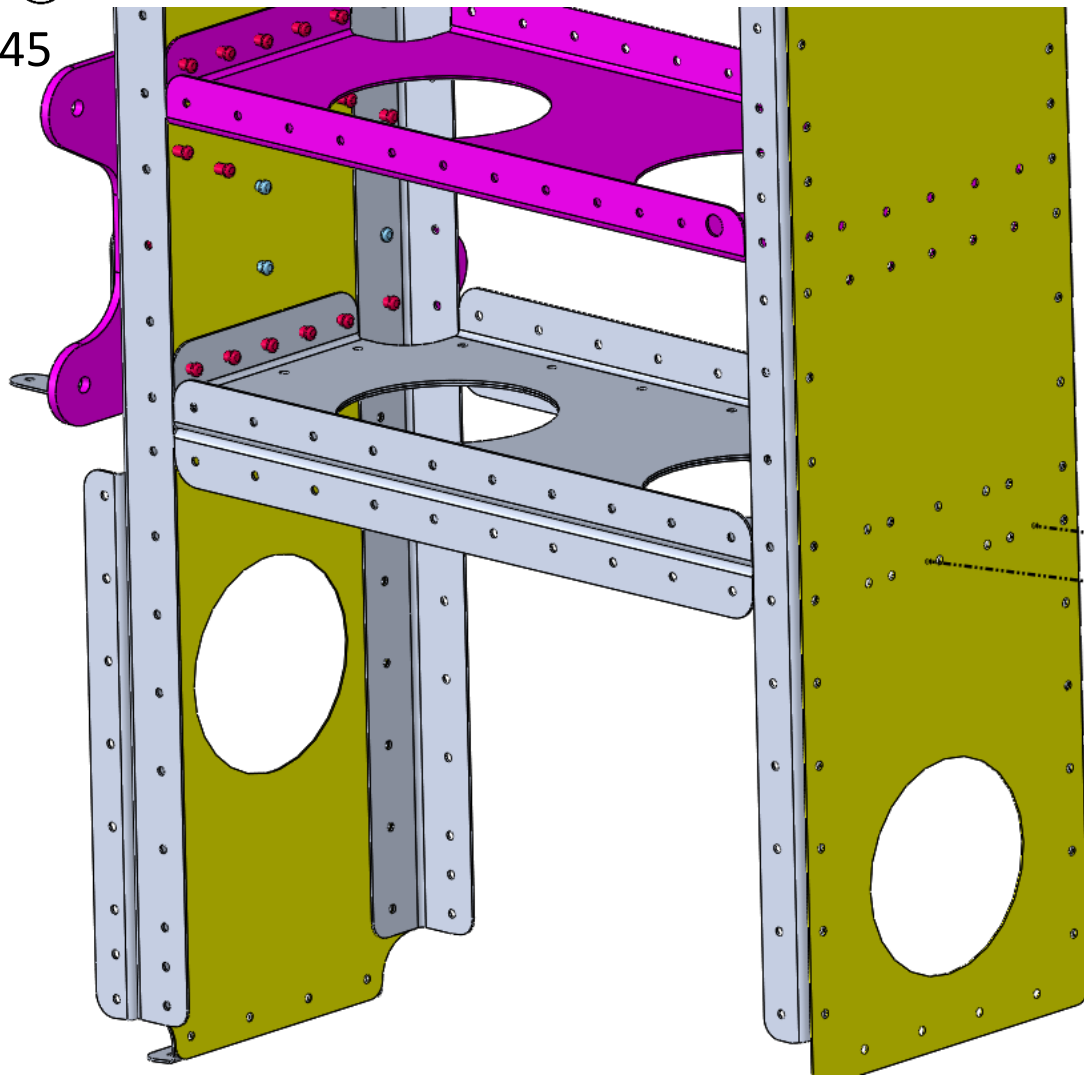
Step 44



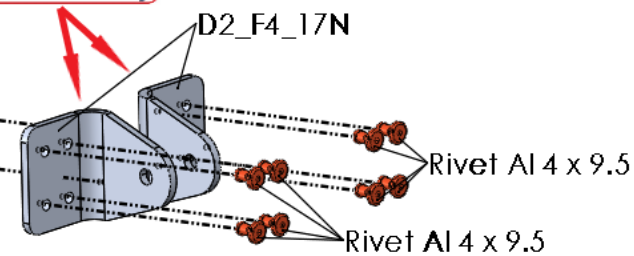
Title	Document no.	Revision	Page	Pages
Fuselage assembly manual	D2_F0_00	Rev. 05	161	406



Step 45



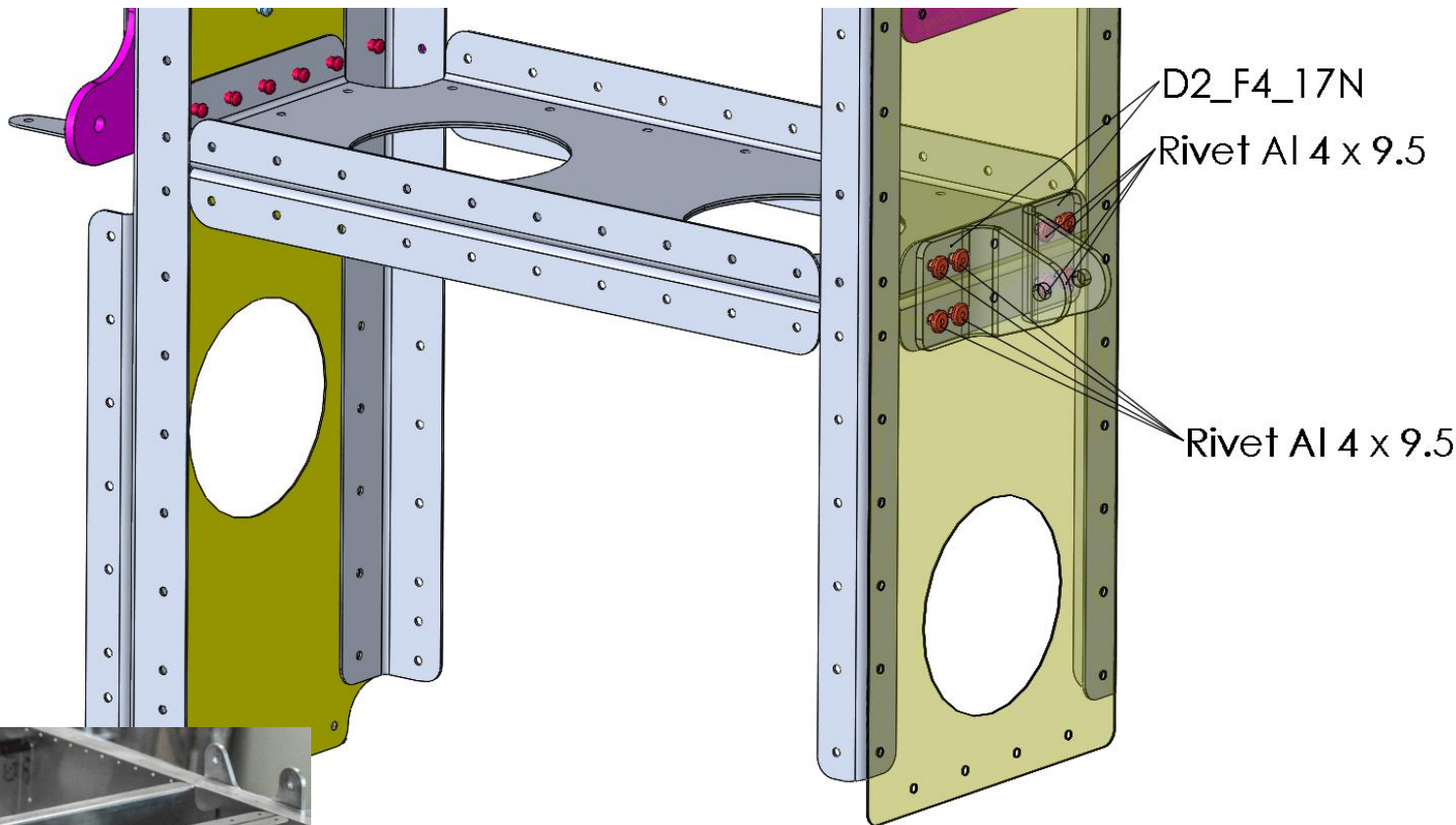
Polyurethane adhesive
Emfimastic PU-50



Title	Document no.	Revision	Page	Pages
Fuselage assembly manual	D2_F0_00	Rev. 05	162	406

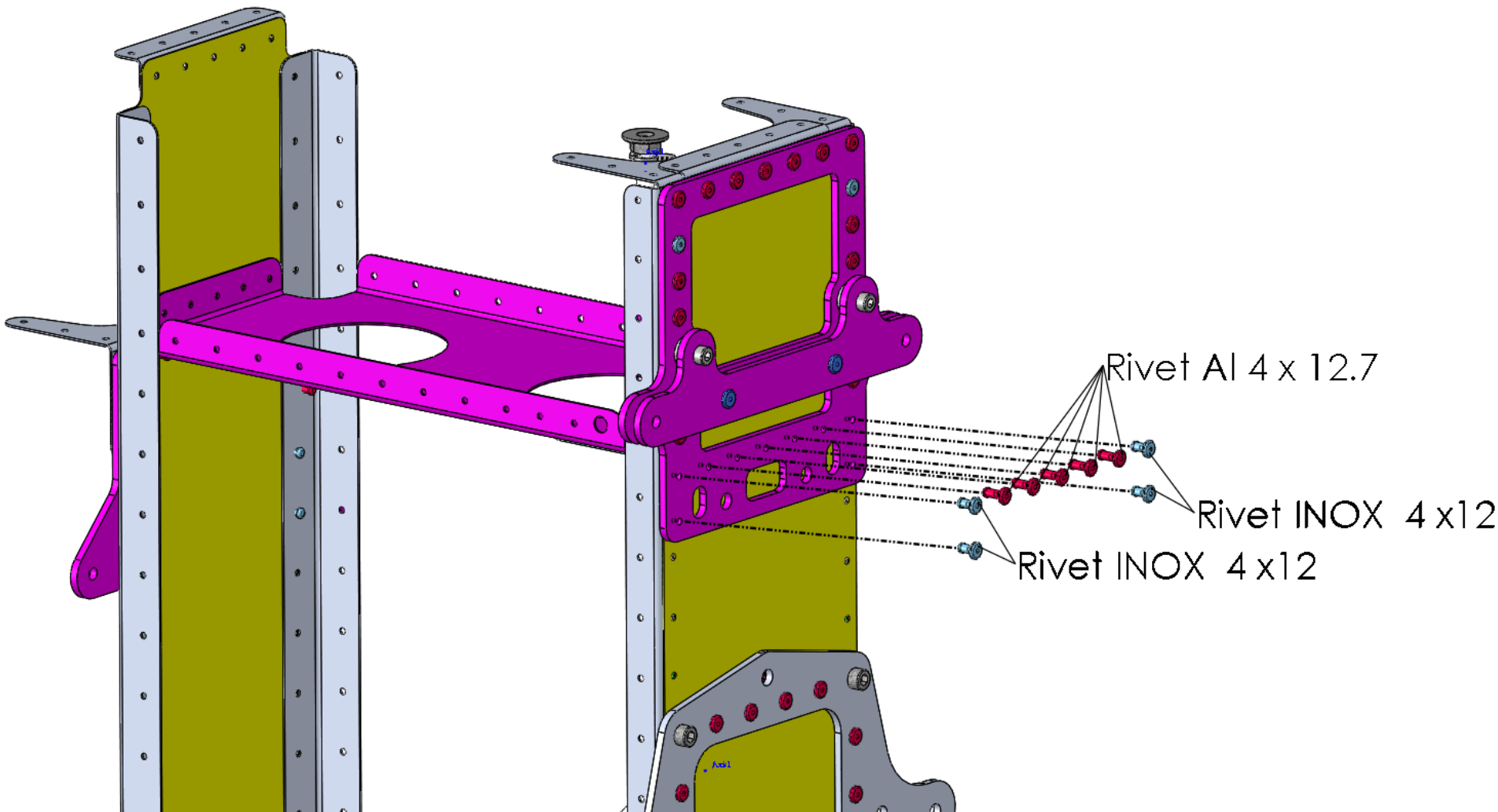


Step 46



Title	Document no.	Revision	Page	Pages
Fuselage assembly manual	D2_F0_00	Rev. 05	163	406

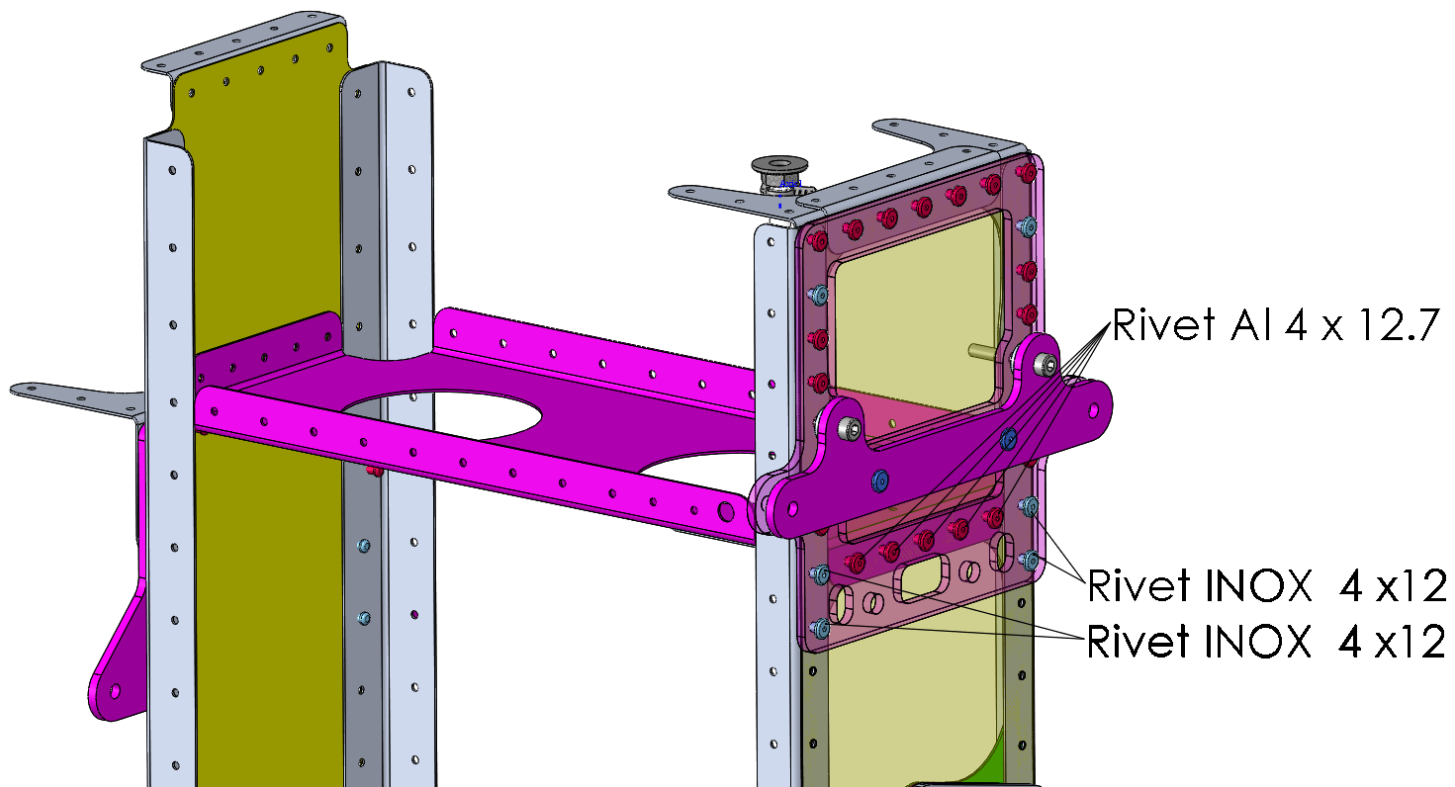
Step 47



Title	Document no.	Revision	Page	Pages
Fuselage assembly manual	D2_F0_00	Rev. 05	164	406



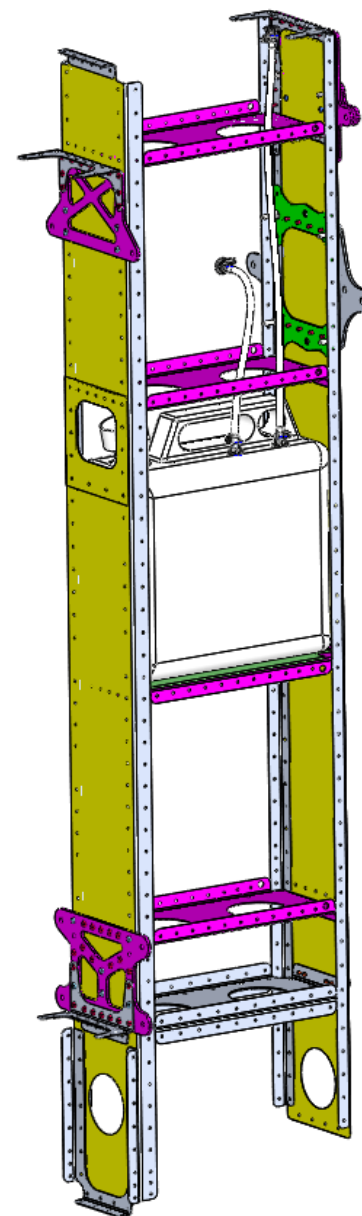
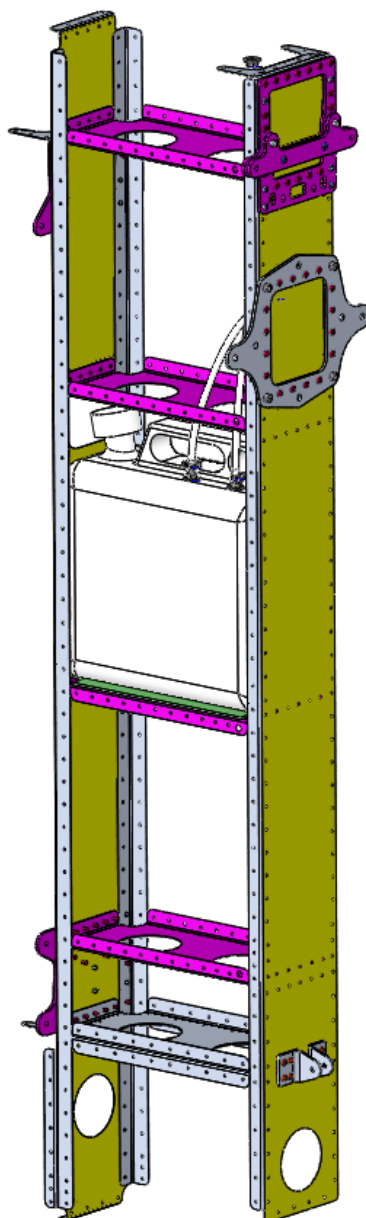
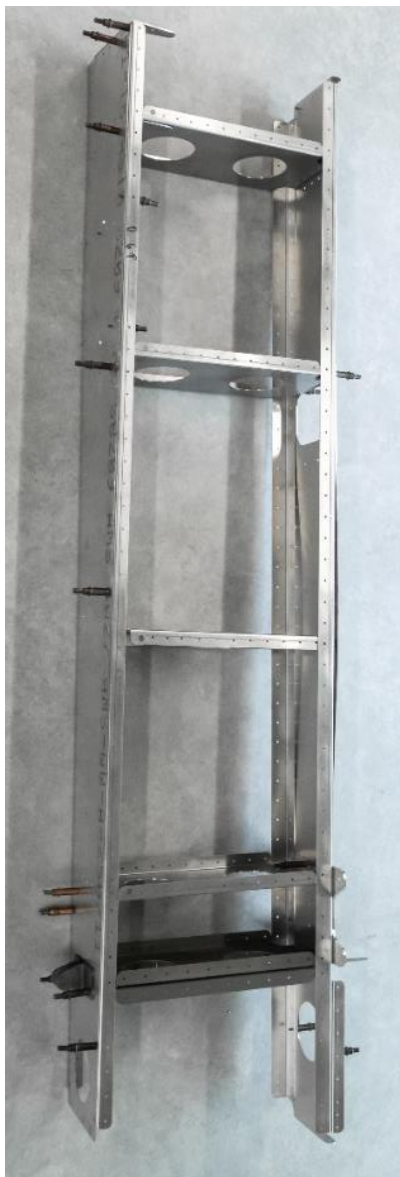
Step 48



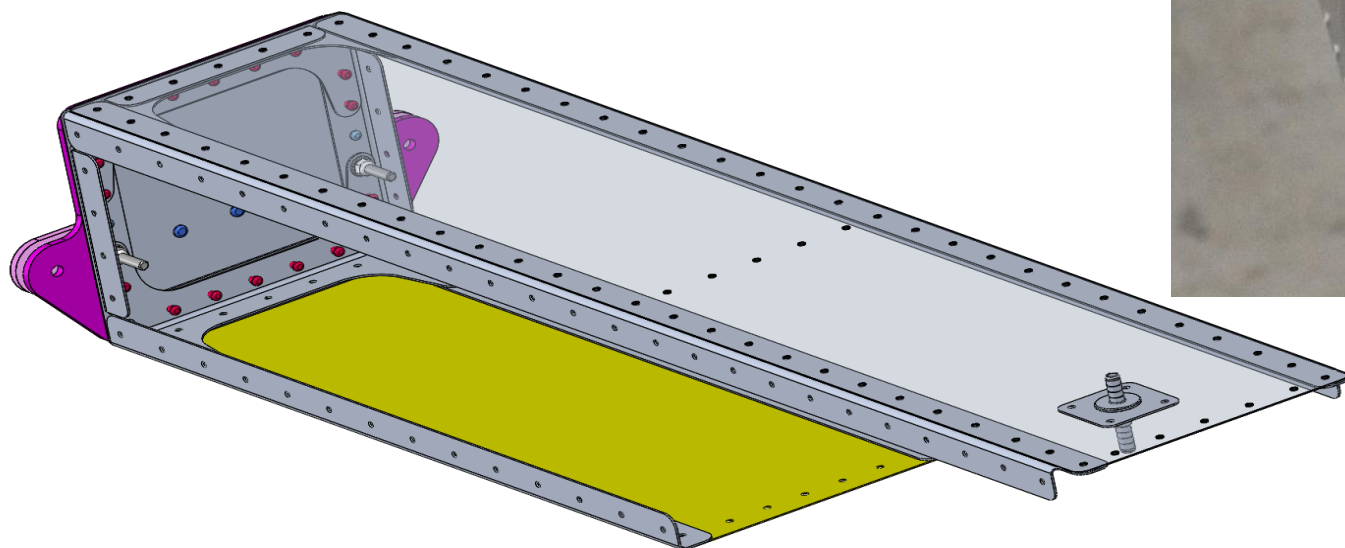
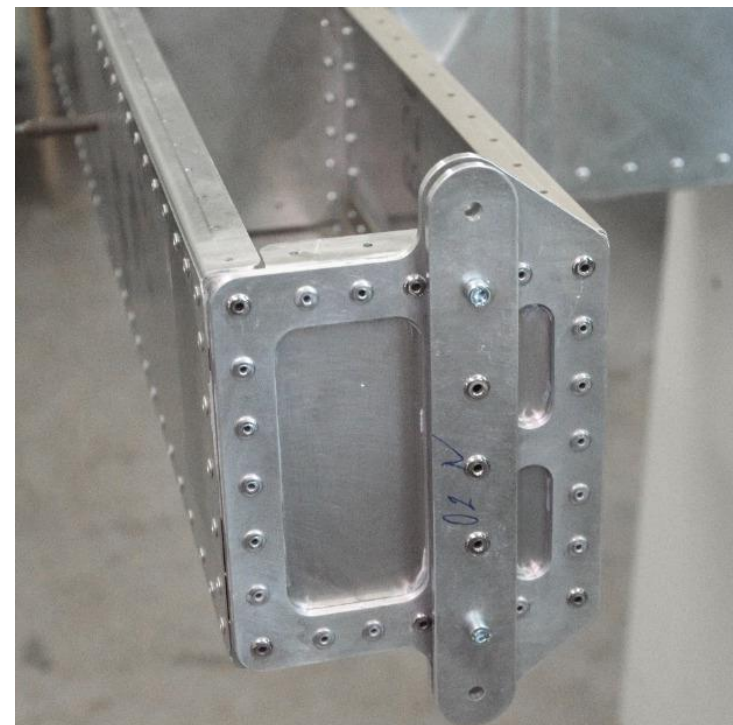
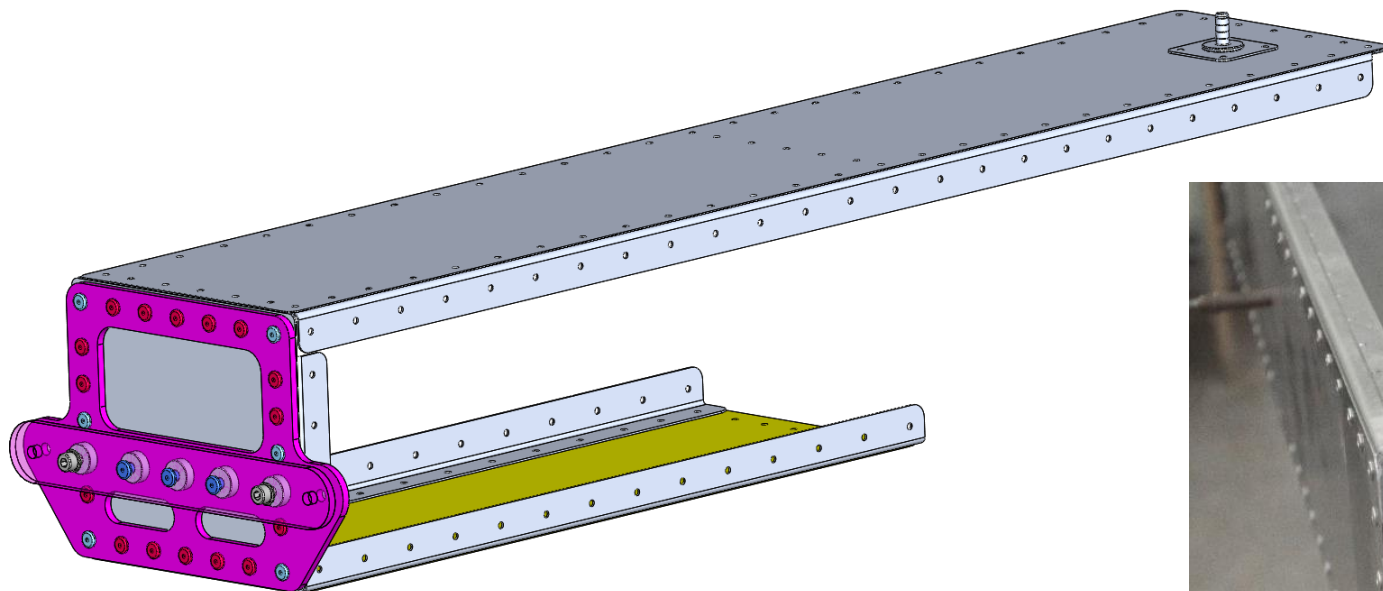
Title	Document no.	Revision	Page	Pages
Fuselage assembly manual	D2_F0_00	Rev. 05	165	406



Step 49



Title	Document no.	Revision	Page	Pages
Fuselage assembly manual	D2_F0_00	Rev. 05	166	406

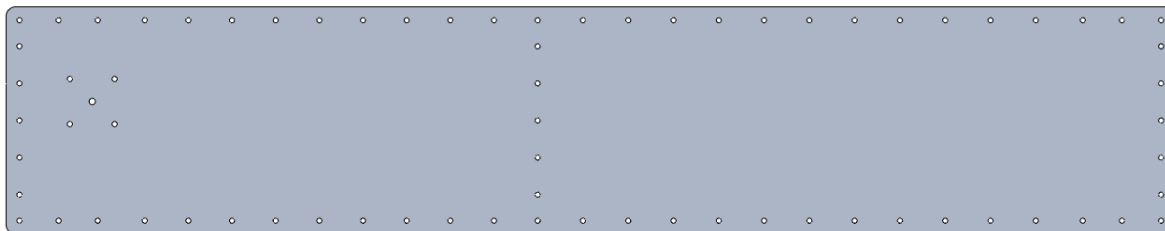


Title	Document no.	Revision	Page	Pages
Fuselage assembly manual	D2_F0_00	Rev. 05	167	406



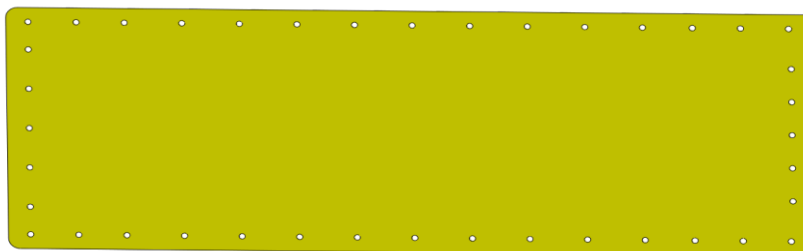
Detail: D2_F1_12N

Quantity: 1



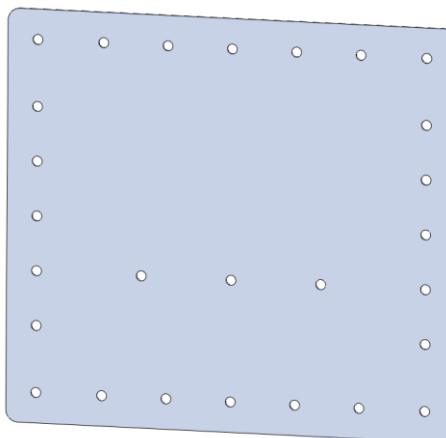
Detail D2_F1_13N

Quantity: 1



Detail: D2_F2_06N

Quantity: 1

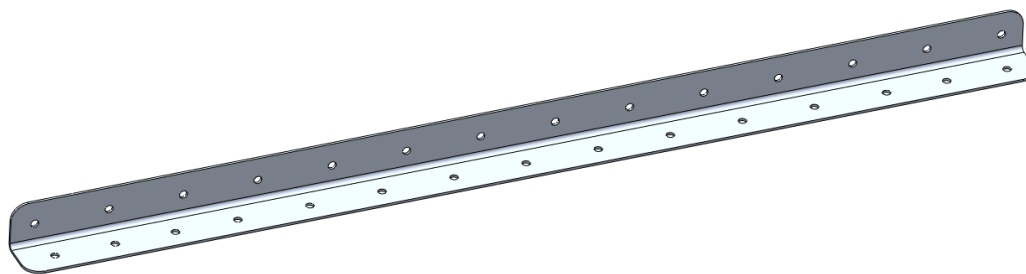


Title	Document no.	Revision	Page	Pages
Fuselage assembly manual	D2_F0_00	Rev. 05	168	406



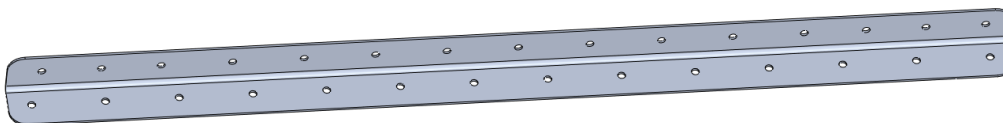
Detail: D2_F3_09L

Quantity: 1



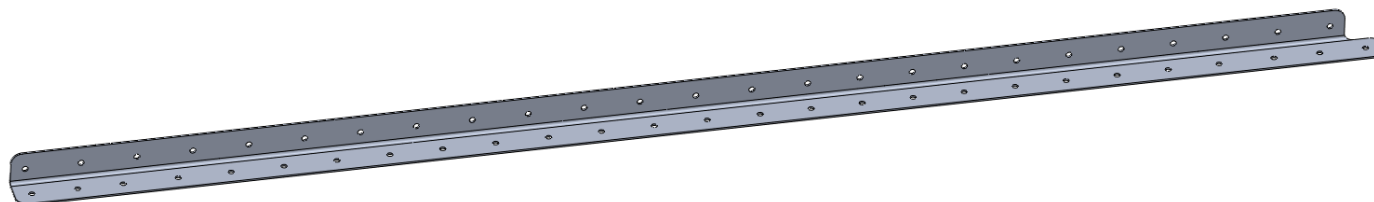
Detail: D2_F3_09P

Quantity: 1



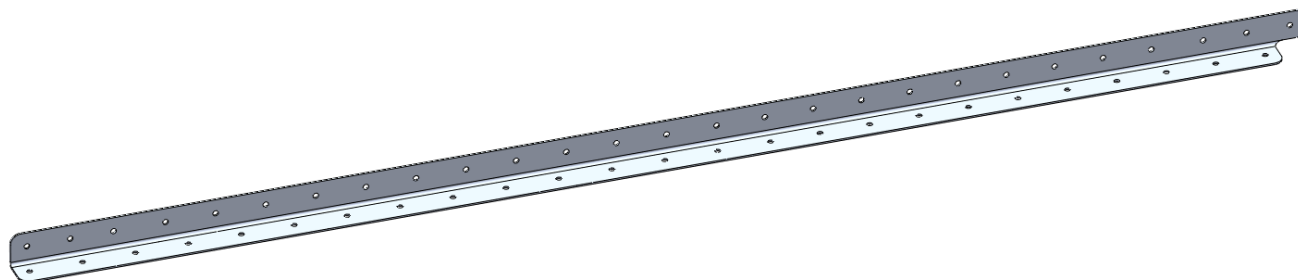
Detail: D2_F3_10L

Quantity: 1



Detail: D2_F3_10P

Quantity: 1

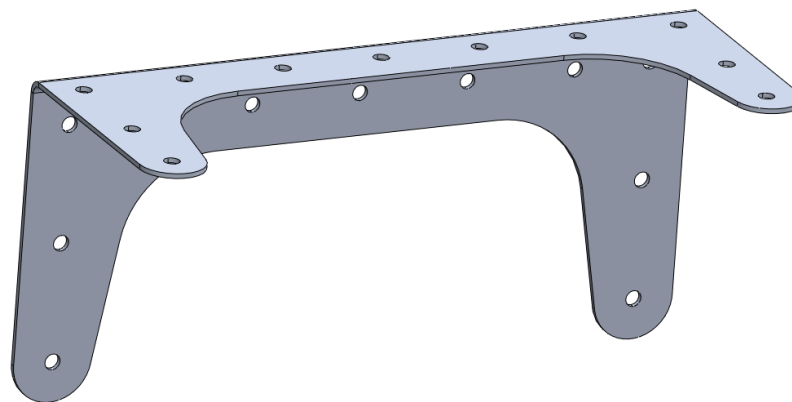


Title	Document no.	Revision	Page	Pages
Fuselage assembly manual	D2_F0_00	Rev. 05	169	406



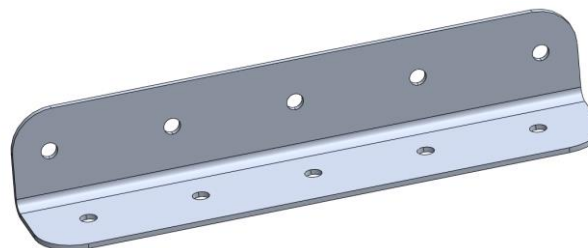
Detail: D2_F3_16N

Quantity: 2



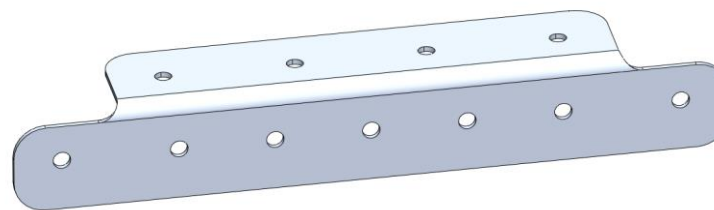
Detail: D2_F3_17N

Quantity: 2



Detail: D2_F3_18N

Quantity: 2

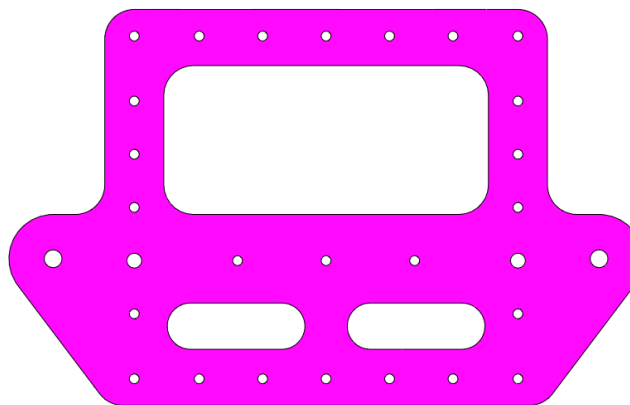


Title	Document no.	Revision	Page	Pages
Fuselage assembly manual	D2_F0_00	Rev. 05	170	406



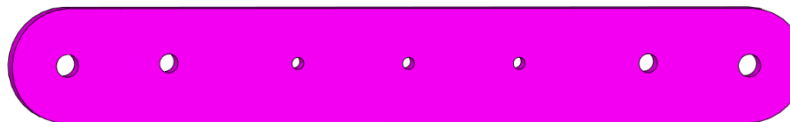
Detail: D2_F4_01N

Quantity: 1



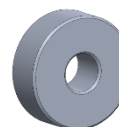
Detail: D2_F4_02N

Quantity: 1



Detail: D2_F4_03N

Quantity: 5

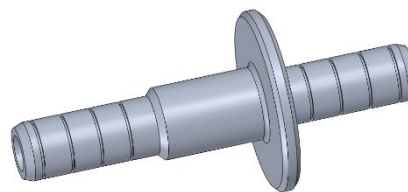


Title	Document no.	Revision	Page	Pages
Fuselage assembly manual	D2_F0_00	Rev. 05	171	406



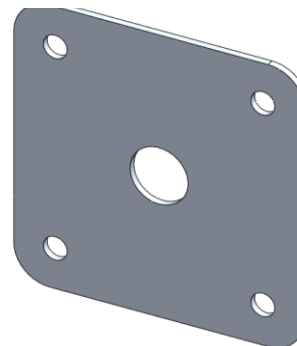
Detail: D2_F5_02N

Quantity: 1



Detail: D2_F5_03N

Quantity: 1



Detail: Bolt DIN 912 M5x40 D18

Quantity: 2



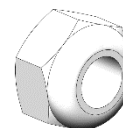
Detail: DIN 125 Washer M5

Quantity: 4



Detail: DIN 985 M5 Nylock Nut

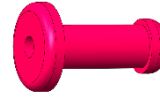
Quantity: 2



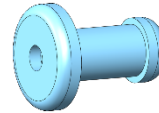
Title	Document no.	Revision	Page	Pages
Fuselage assembly manual	D2_F0_00	Rev. 05	172	406



Detail: Rivet Al 4 x 12.7
Quantity: 16



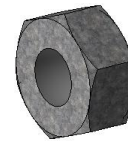
Detail: Rivet INOX 4 x12
Quantity: 6



Detail: Rivet INOX FTR 4,9 x 20
Quantity: 3



Detail: Nut DIN 934 M8
Quantity: 1



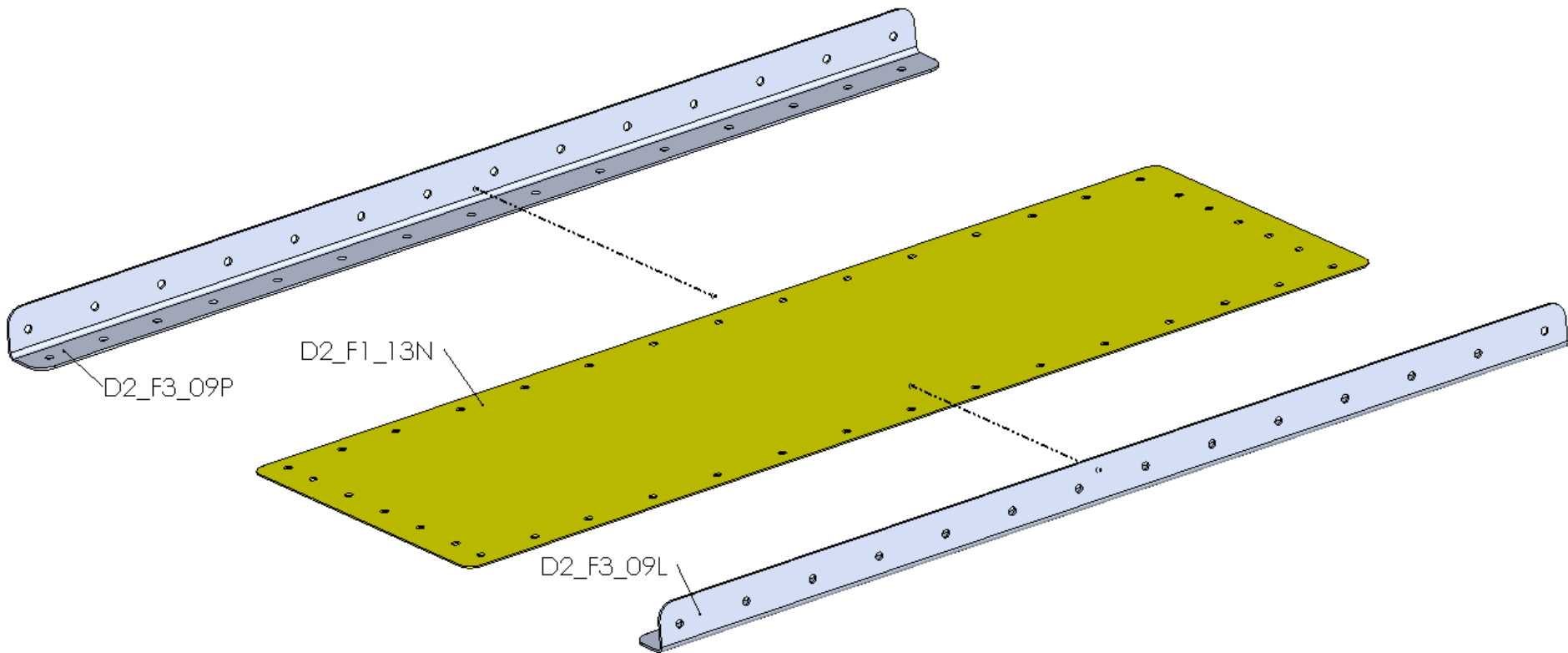
Detail: Washer DIN 9021 M8
Quantity: 1



Title	Document no.	Revision	Page	Pages
Fuselage assembly manual	D2_F0_00	Rev. 05	173	406



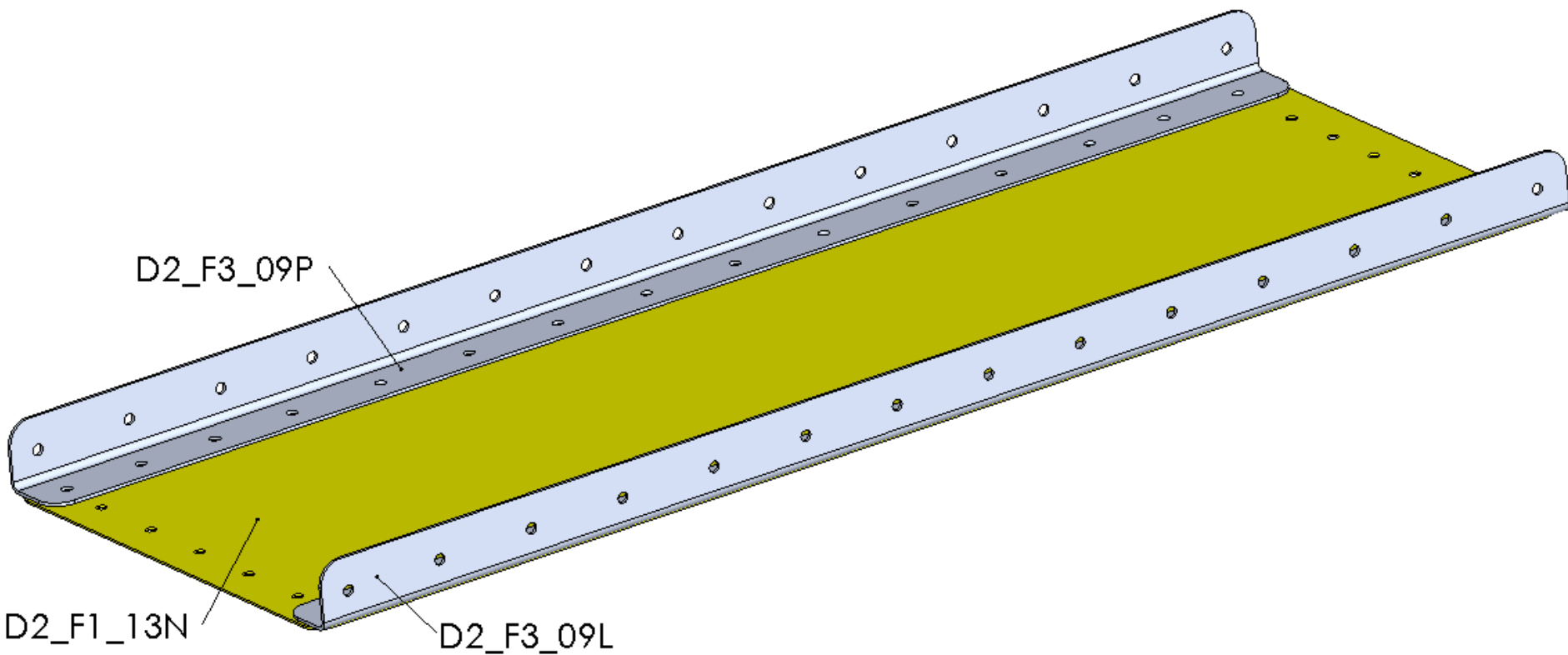
Step 1



Title	Document no.	Revision	Page	Pages
Fuselage assembly manual	D2_F0_00	Rev. 05	174	406



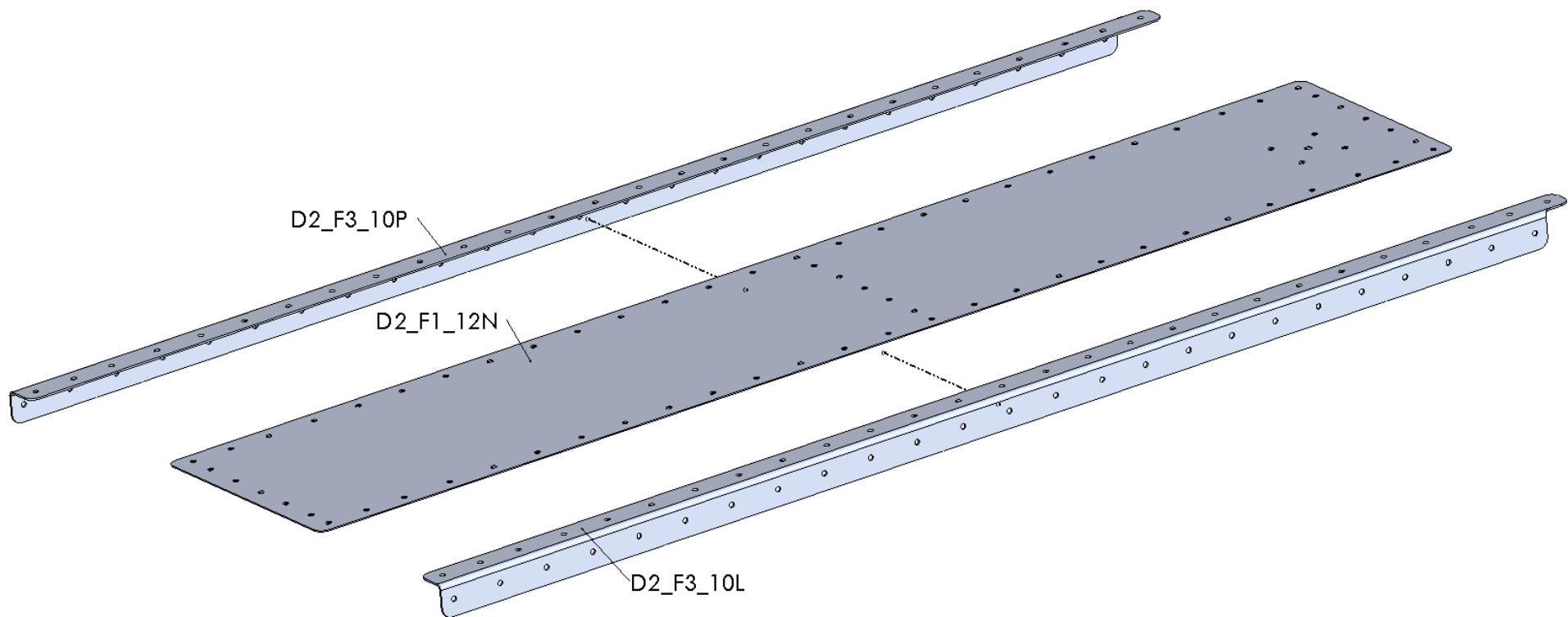
Step 2



Title	Document no.	Revision	Page	Pages
Fuselage assembly manual	D2_F0_00	Rev. 05	175	406



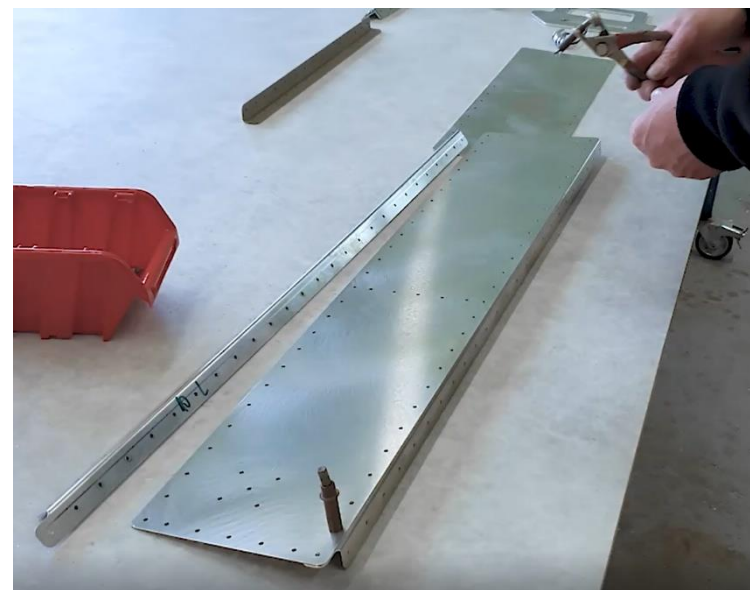
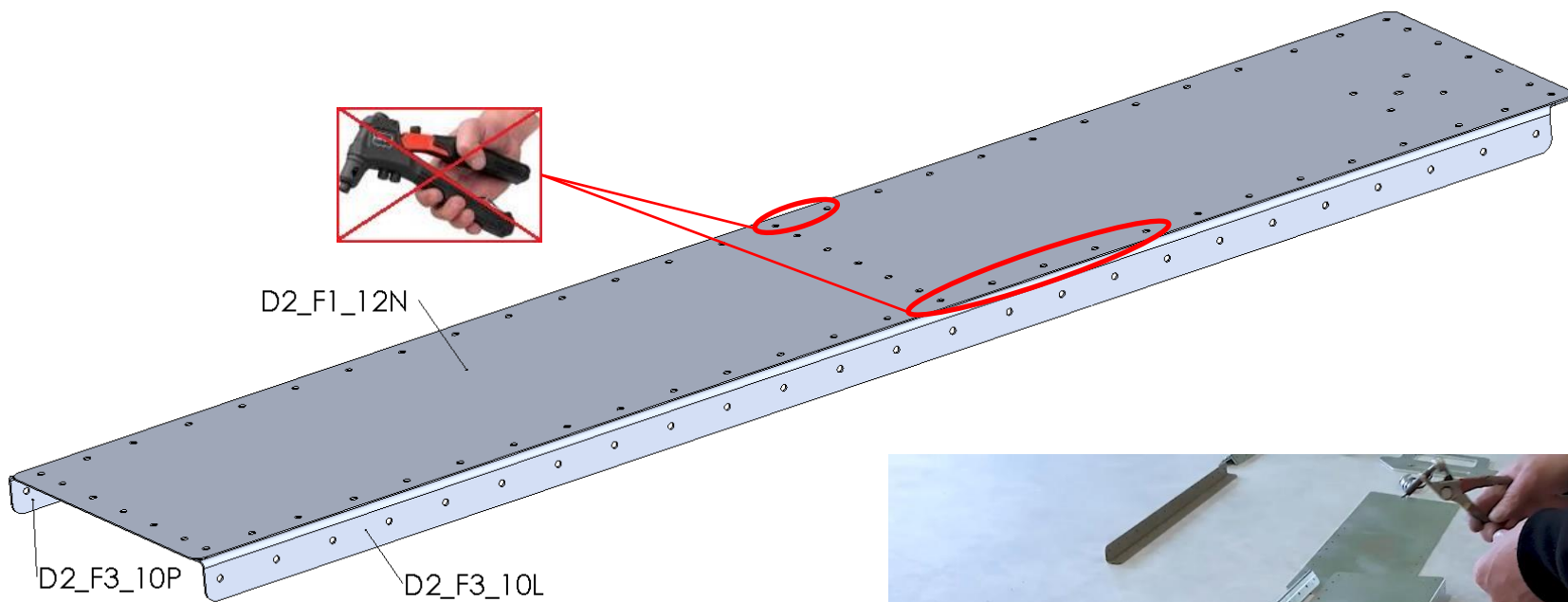
Step 3



Title	Document no.	Revision	Page	Pages
Fuselage assembly manual	D2_F0_00	Rev. 05	176	406



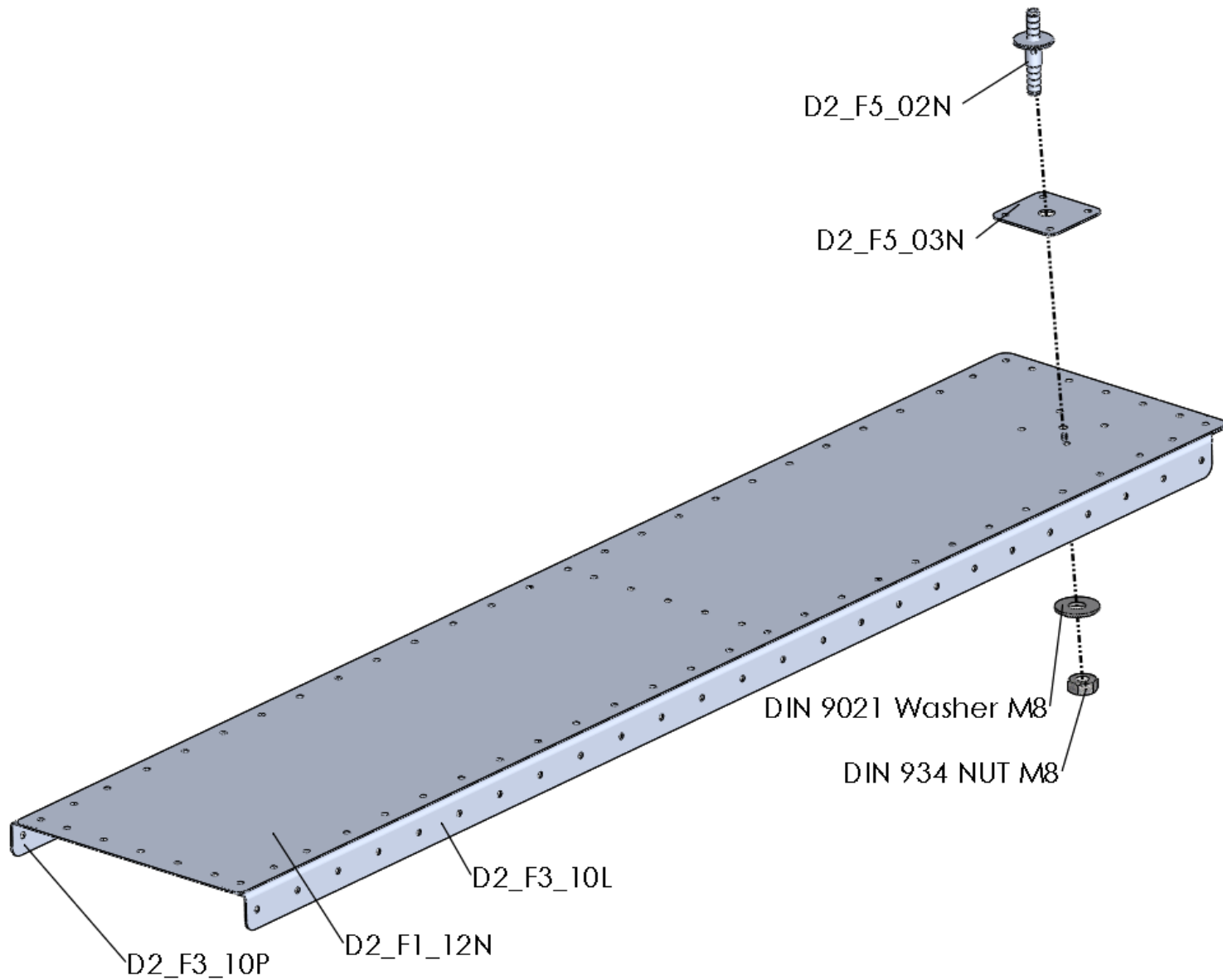
Step 4



Title	Document no.	Revision	Page	Pages
Fuselage assembly manual	D2_F0_00	Rev. 05	177	406



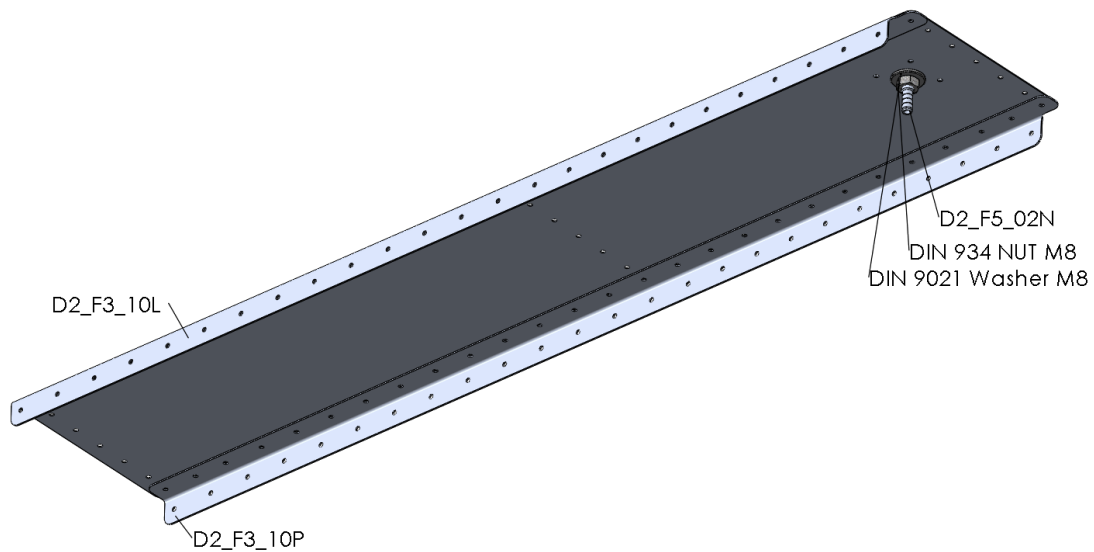
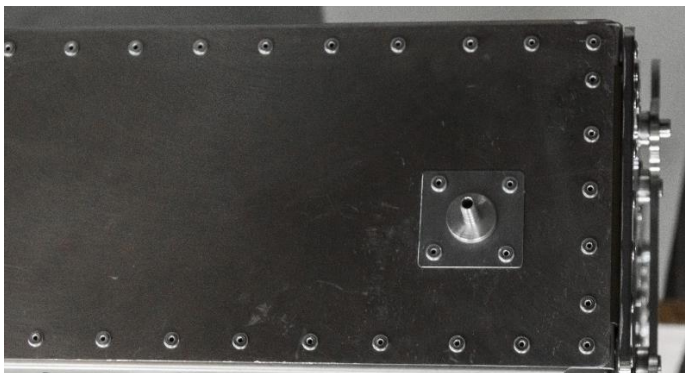
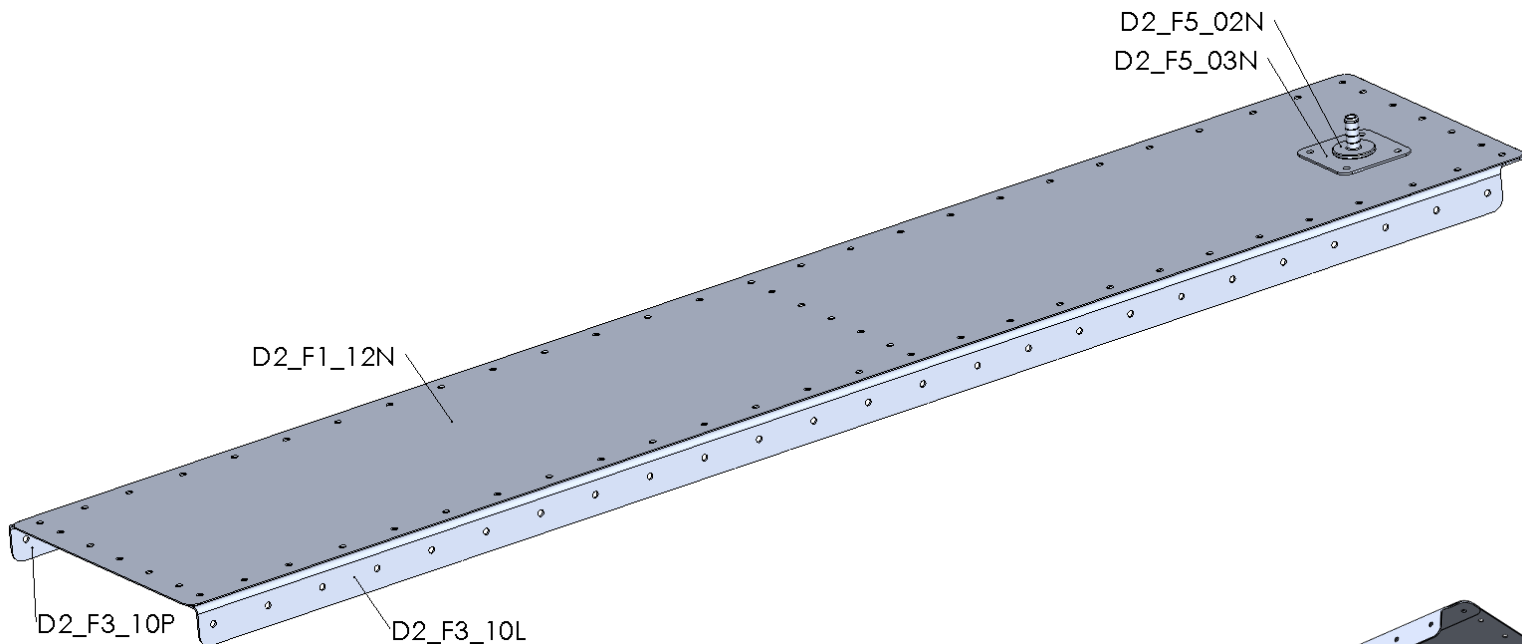
Step 5



Title	Document no.	Revision	Page	Pages
Fuselage assembly manual	D2_F0_00	Rev. 05	178	406



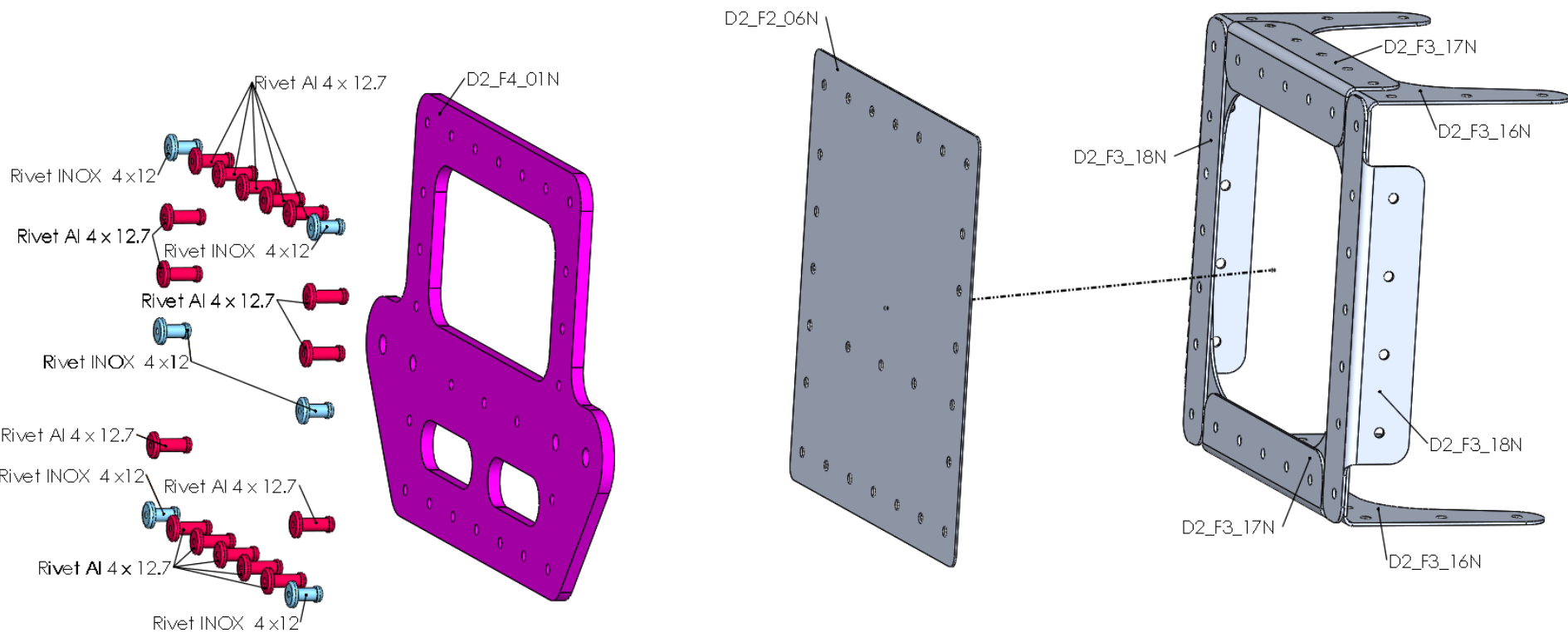
Step 6



Title	Document no.	Revision	Page	Pages
Fuselage assembly manual	D2_F0_00	Rev. 05	179	406



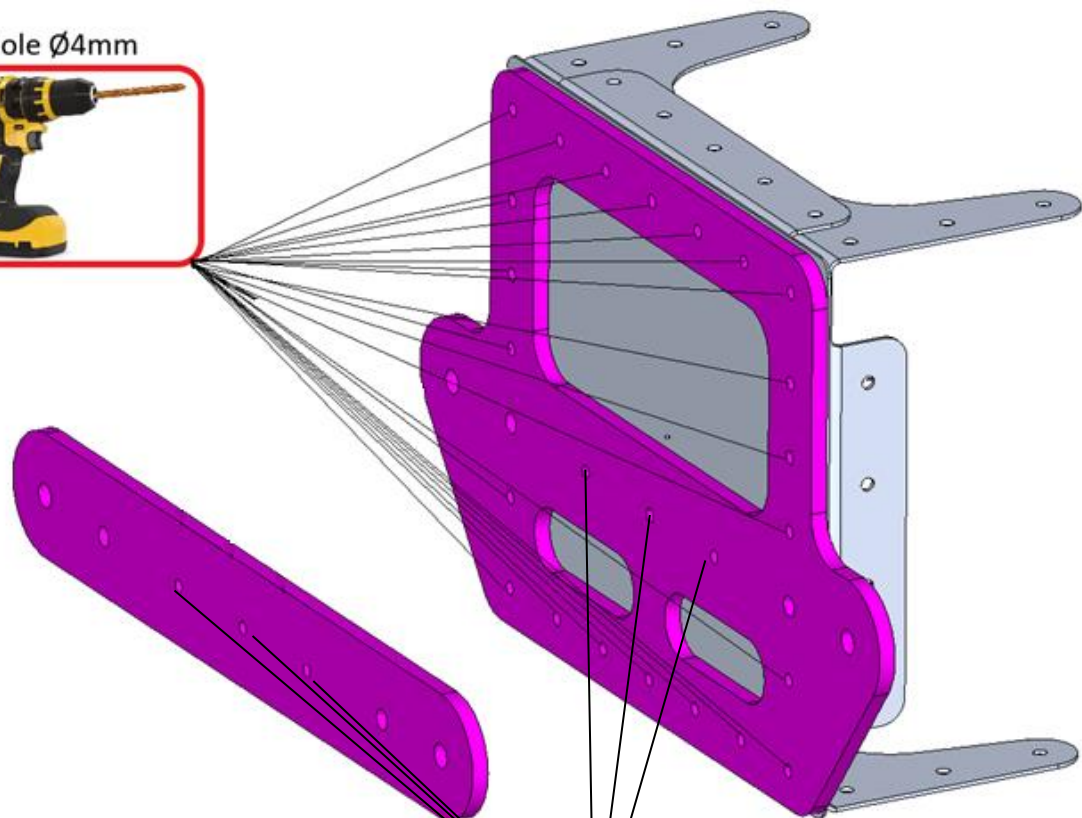
Step 9



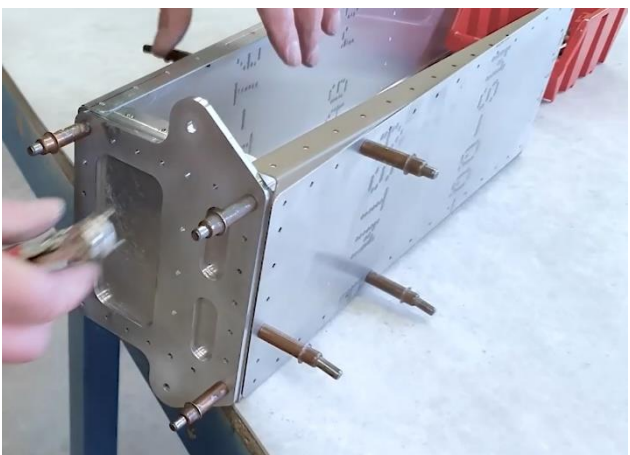
Title	Document no.	Revision	Page	Pages
Fuselage assembly manual	D2_F0_00	Rev. 05	182	406



Step 11



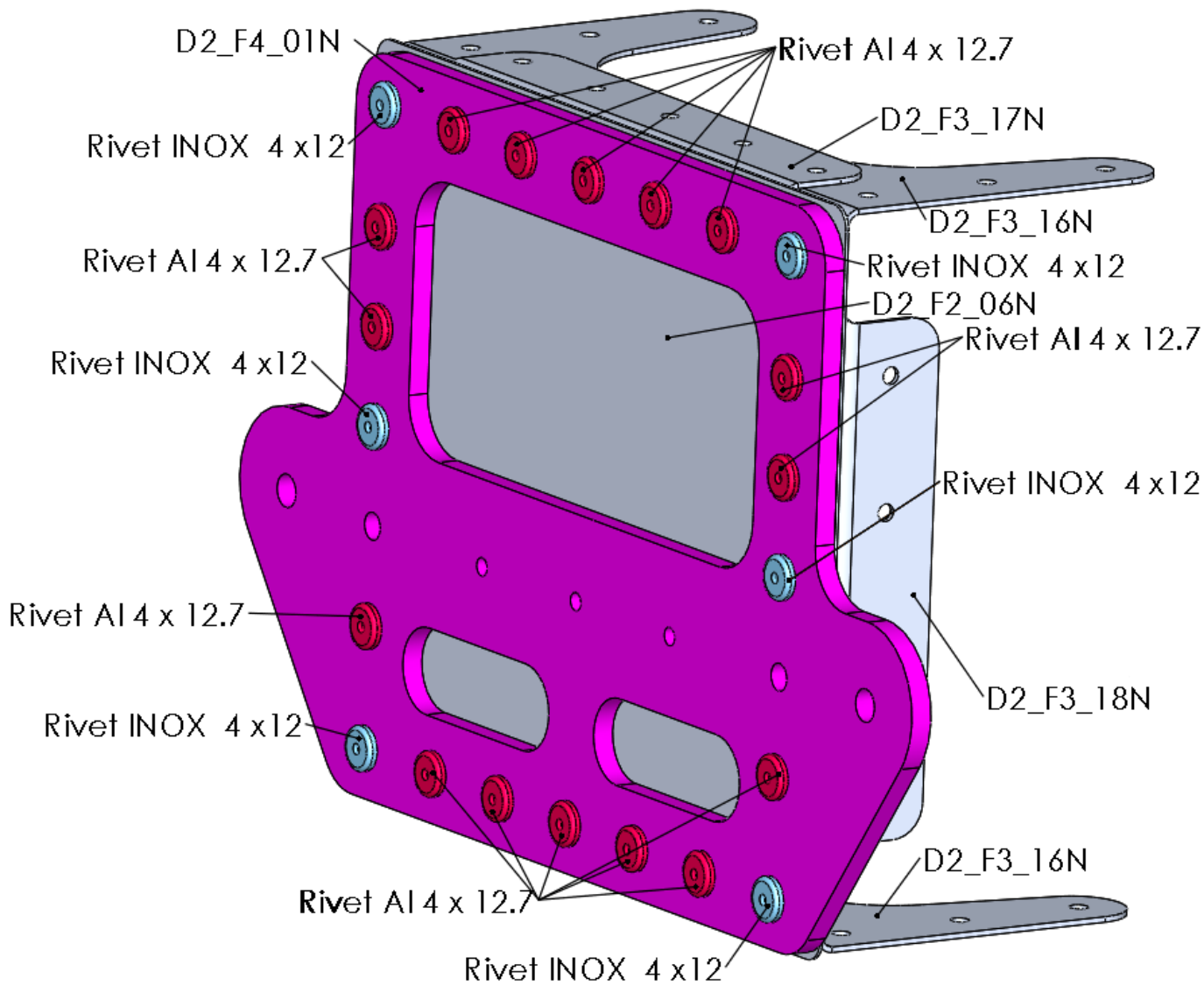
Hole Ø4,9mm



Title	Document no.	Revision	Page	Pages
Fuselage assembly manual	D2_F0_00	Rev. 05	184	406



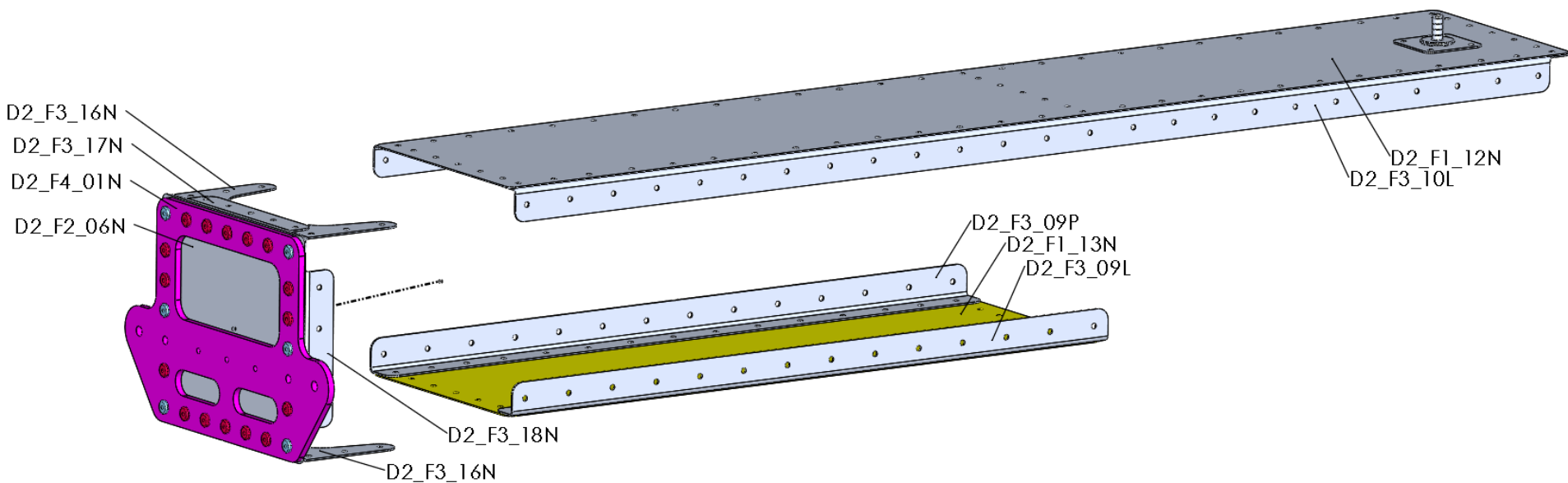
Step 12



Title	Document no.	Revision	Page	Pages
Fuselage assembly manual	D2_F0_00	Rev. 05	185	406



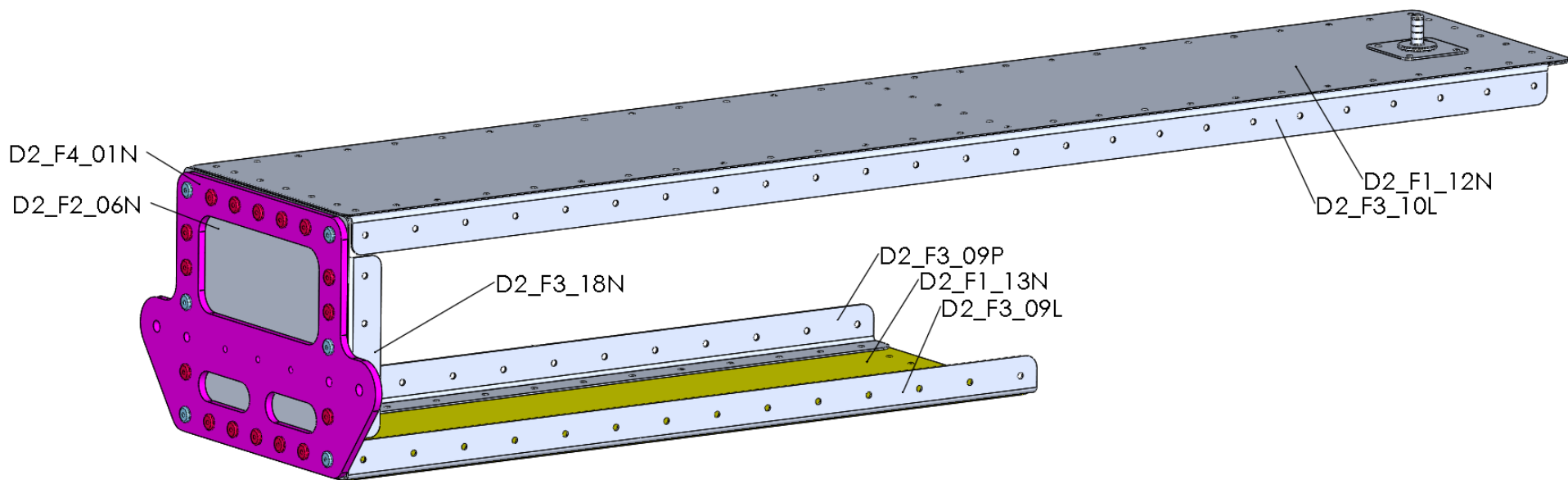
Step 13



Title	Document no.	Revision	Page	Pages
Fuselage assembly manual	D2_F0_00	Rev. 05	186	406



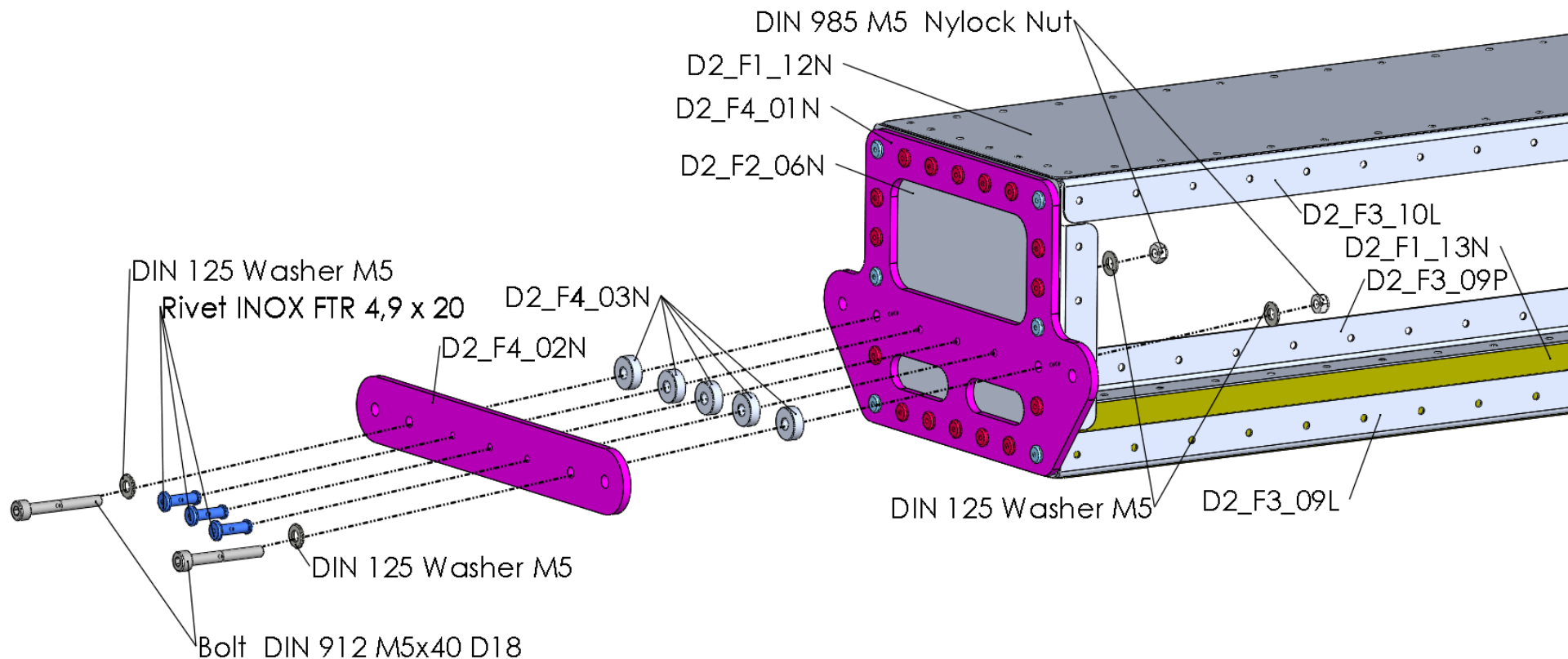
Step 14



Title	Document no.	Revision	Page	Pages
Fuselage assembly manual	D2_F0_00	Rev. 05	187	406



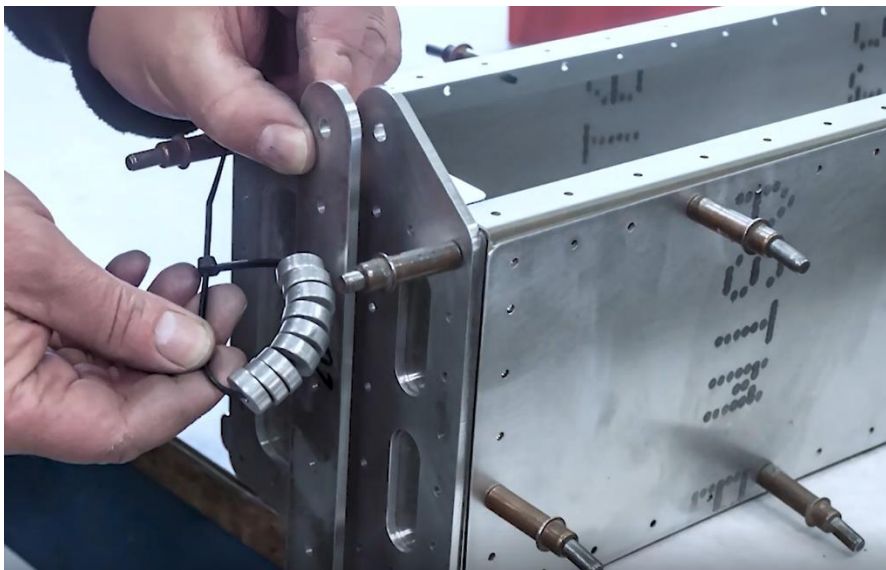
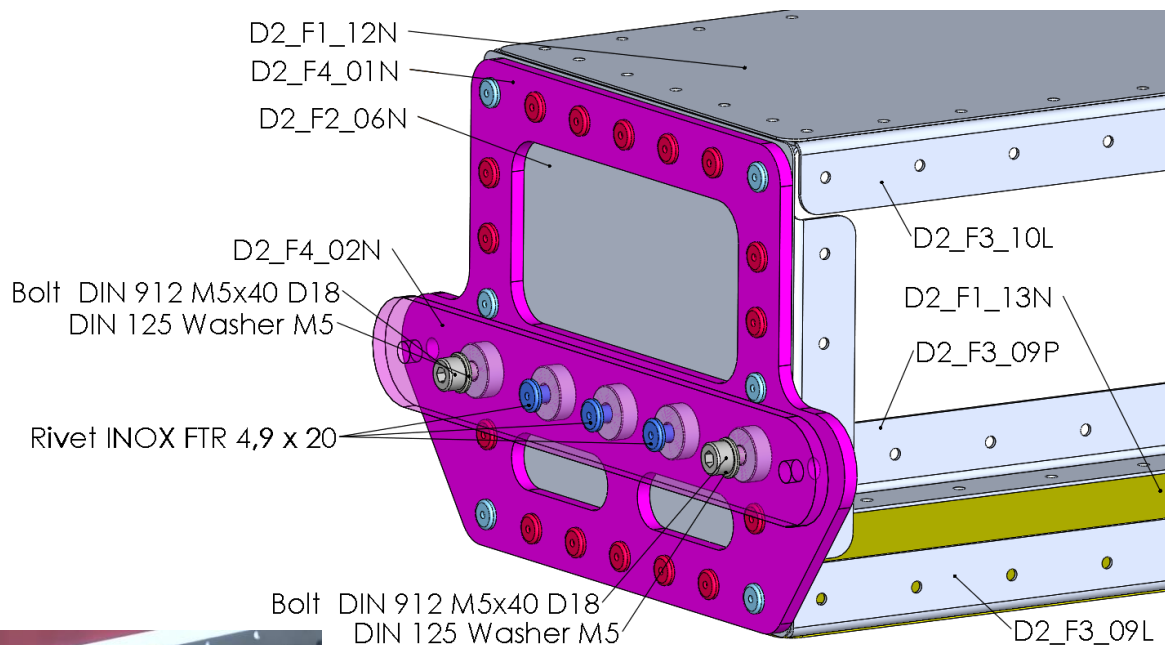
Step 15



Title	Document no.	Revision	Page	Pages
Fuselage assembly manual	D2_F0_00	Rev. 05	188	406



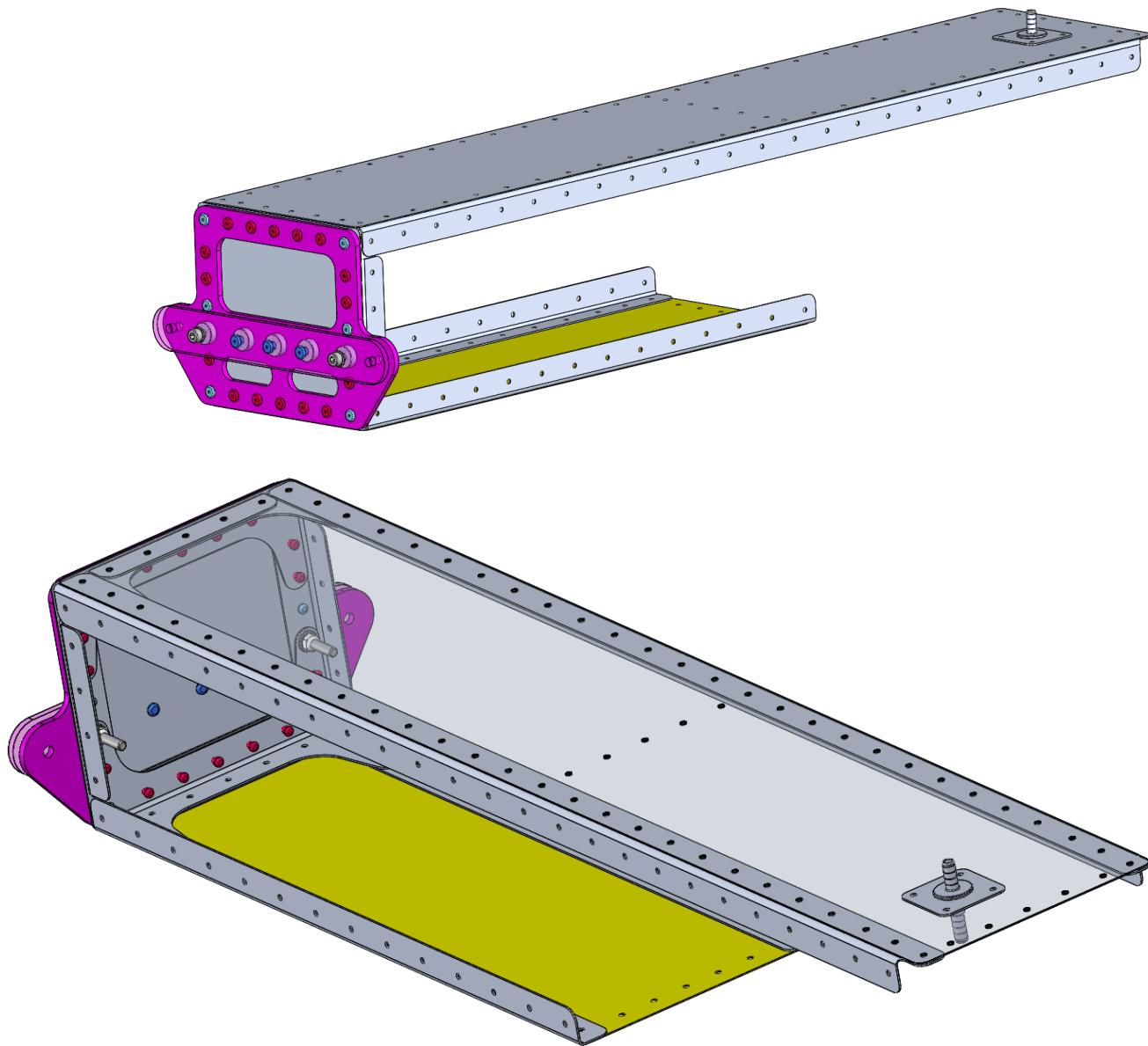
Step 16



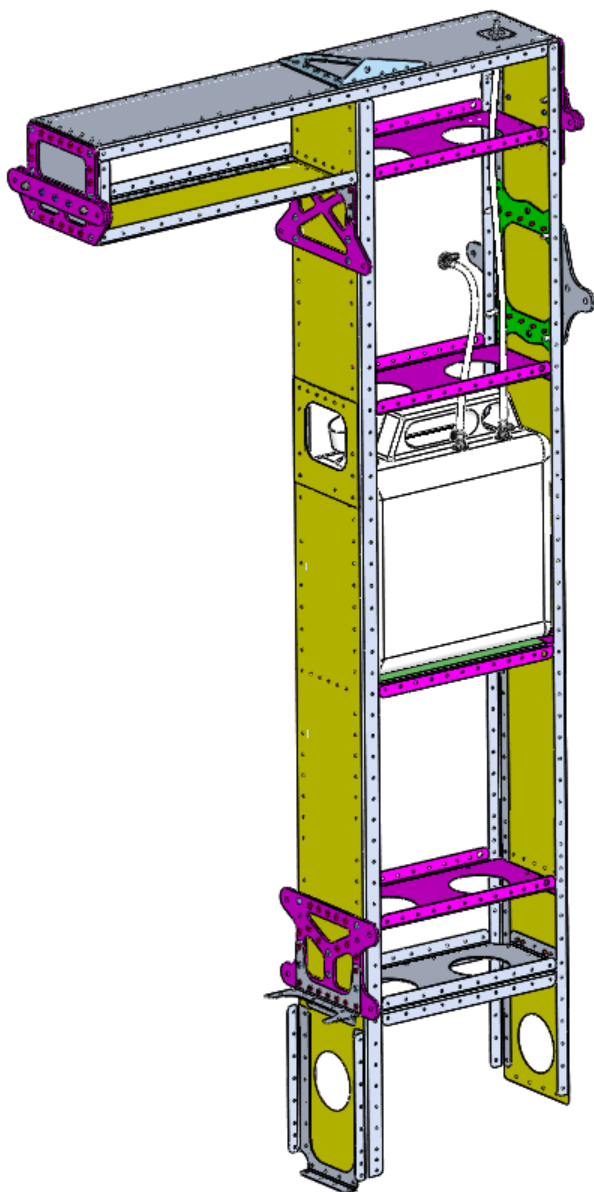
Title	Document no.	Revision	Page	Pages
Fuselage assembly manual	D2_F0_00	Rev. 05	189	406



Step 17



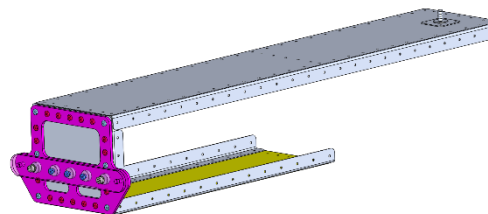
Title	Document no.	Revision	Page	Pages
Fuselage assembly manual	D2_F0_00	Rev. 05	190	406



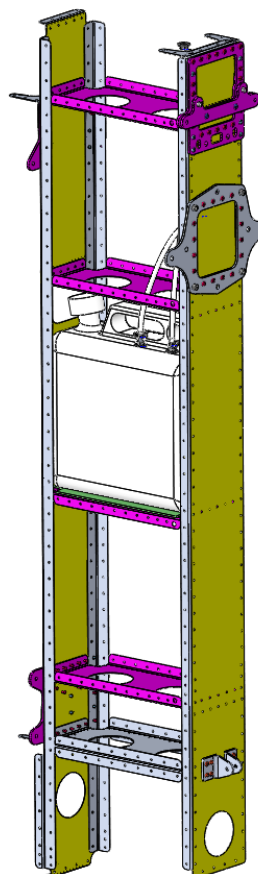
Title	Document no.	Revision	Page	Pages
Fuselage assembly manual	D2_F0_00	Rev. 05	191	406



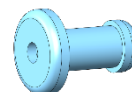
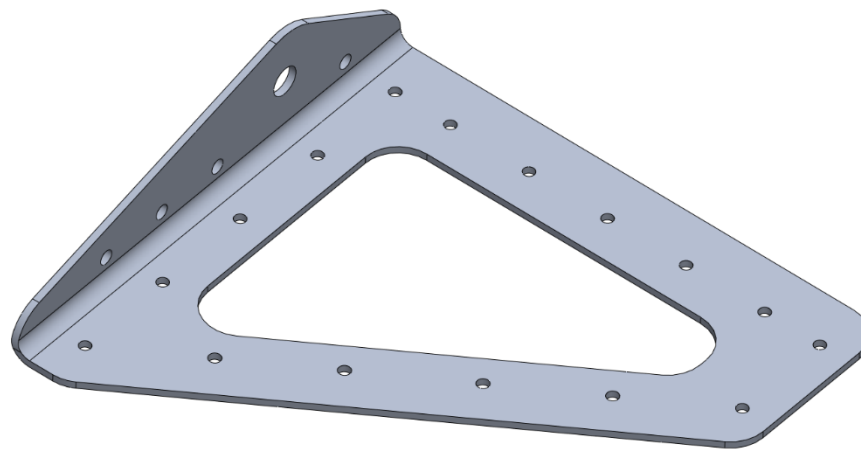
Detail: **Part 3**



Detail: **Part 2**



Title	Document no.	Revision	Page	Pages
Fuselage assembly manual	D2_F0_00	Rev. 05	192	406



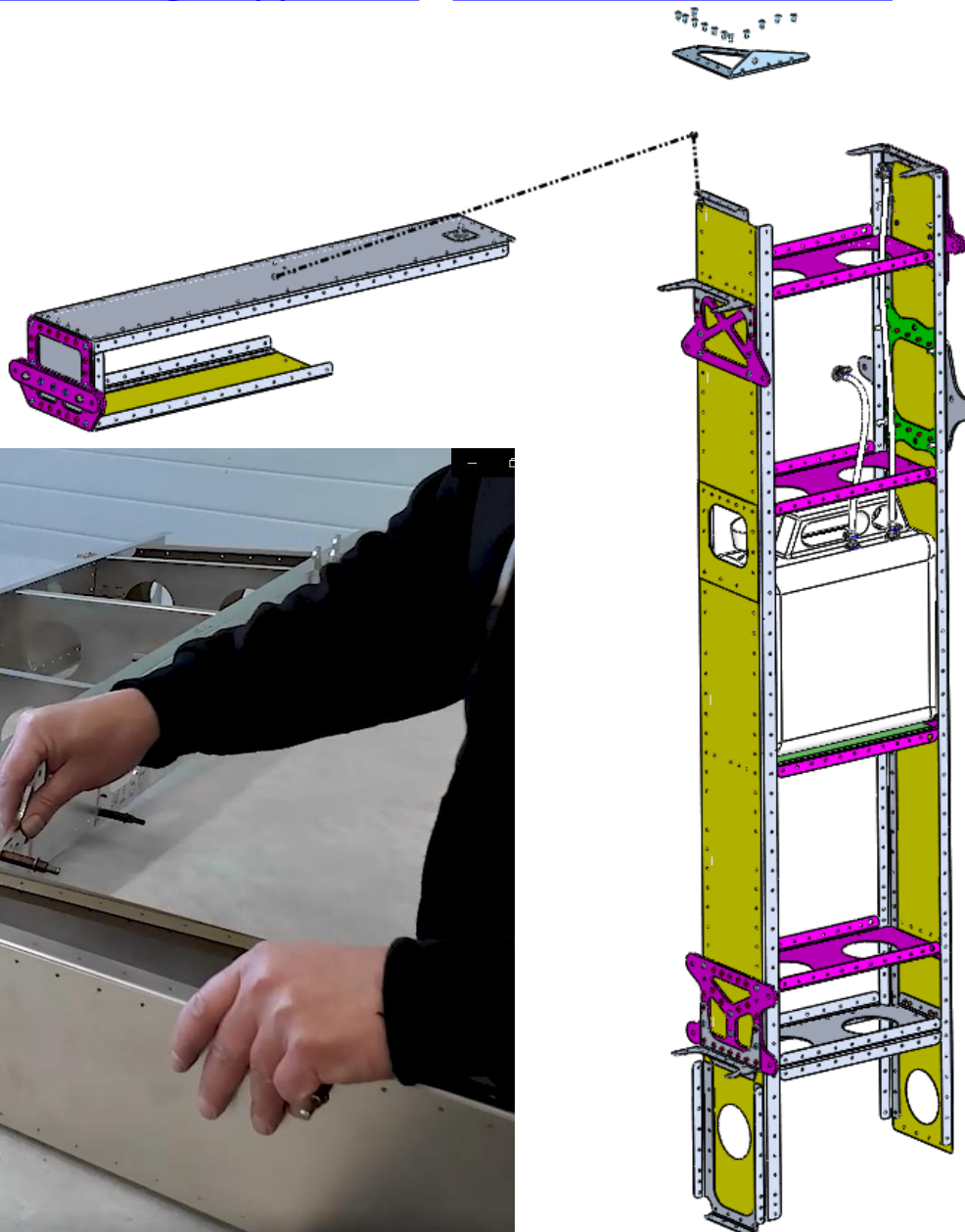
Detail: D2_F6_02N
Quantity: 1

Detail: Rivet INOX 4 x12
Quantity: 12

Title	Document no.	Revision	Page	Pages
Fuselage assembly manual	D2_F0_00	Rev. 05	193	406



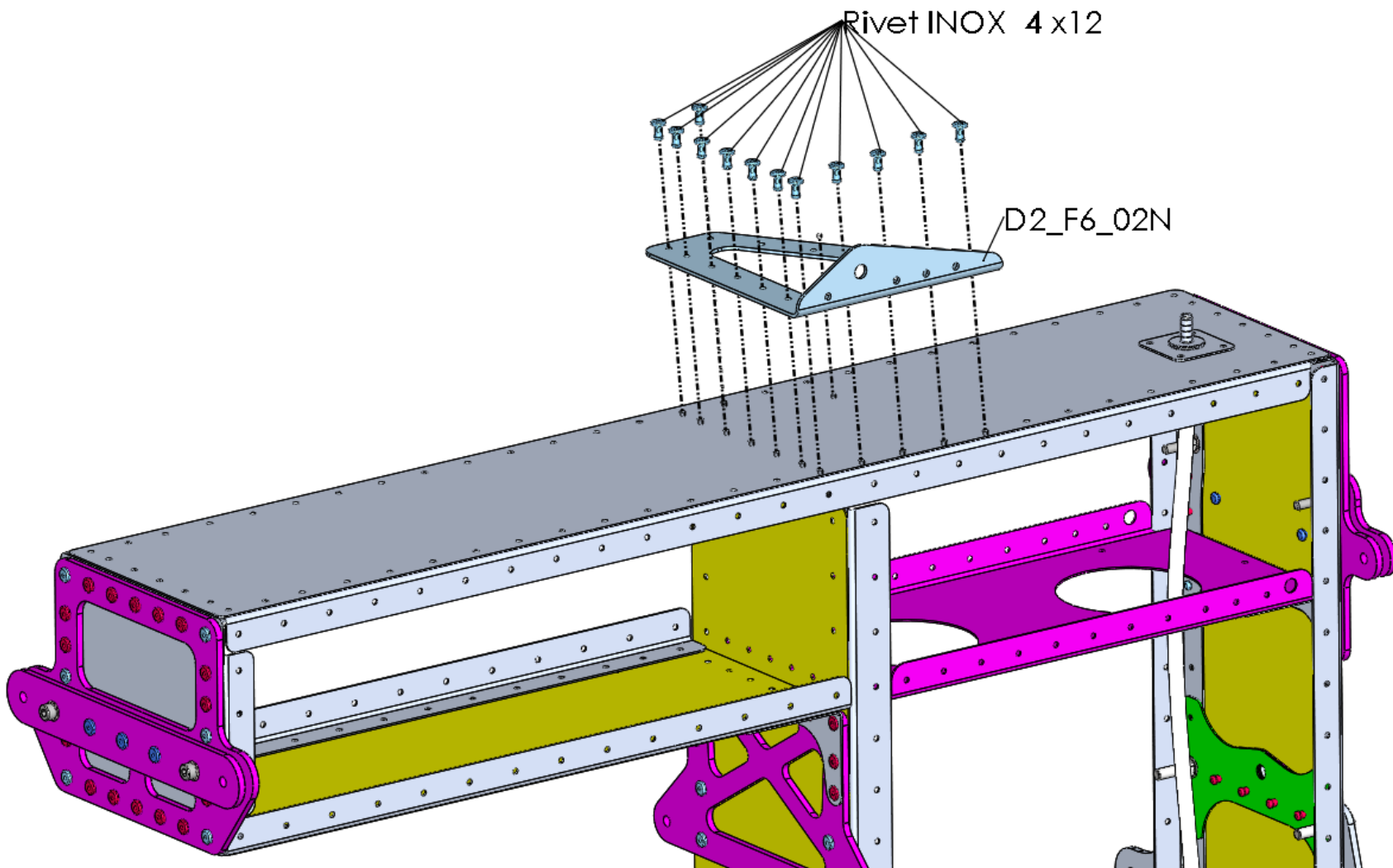
Step 1



Title	Document no.	Revision	Page	Pages
Fuselage assembly manual	D2_F0_00	Rev. 05	194	406



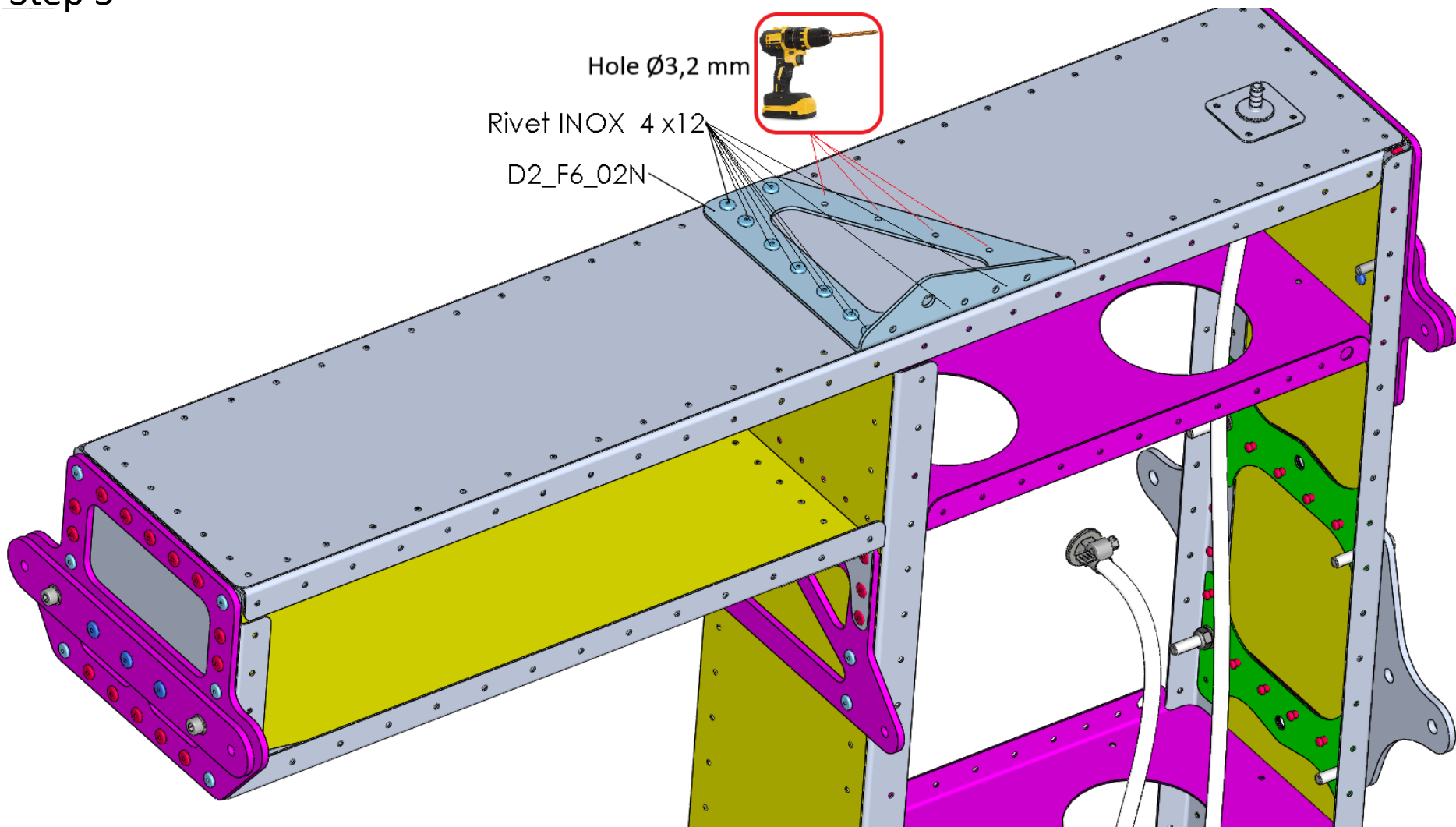
Step 2



Title	Document no.	Revision	Page	Pages
Fuselage assembly manual	D2_F0_00	Rev. 05	195	406



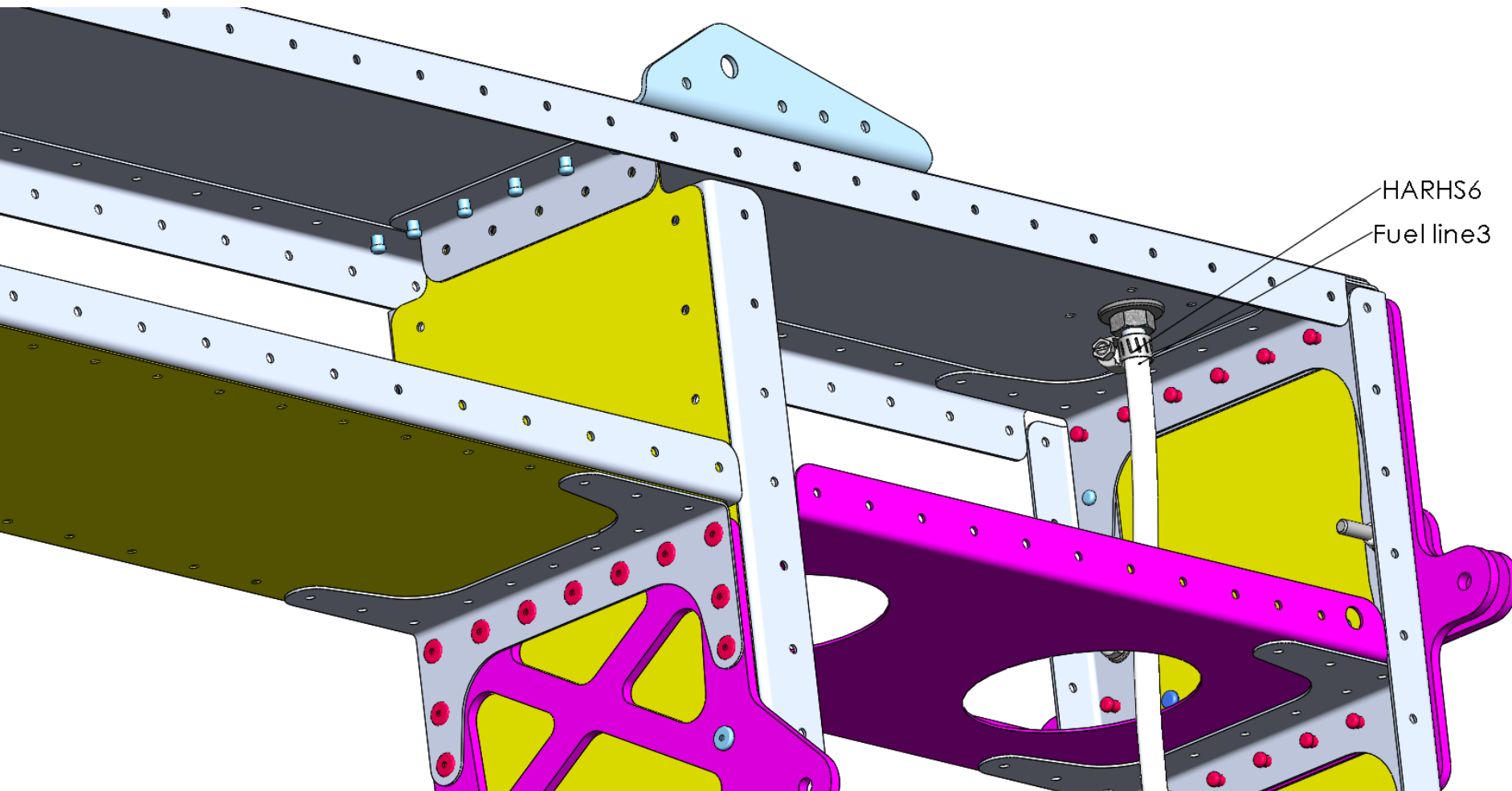
Step 3



Title	Document no.	Revision	Page	Pages
Fuselage assembly manual	D2_F0_00	Rev. 05	196	406



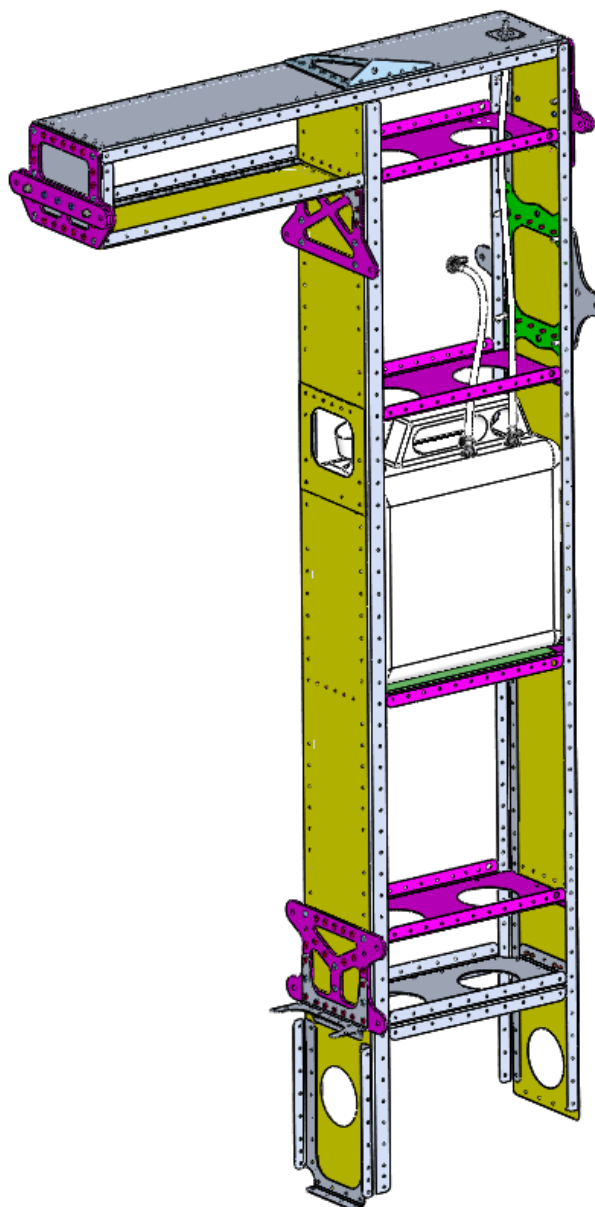
Step 4



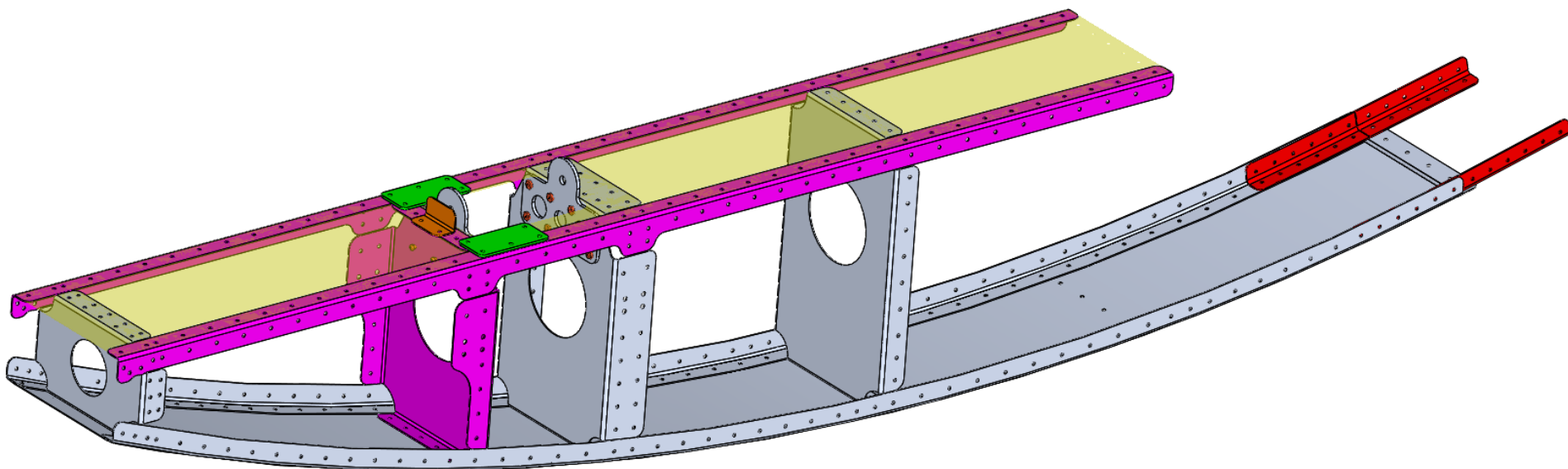
Title	Document no.	Revision	Page	Pages
Fuselage assembly manual	D2_F0_00	Rev. 05	197	406



Step 5



Title	Document no.	Revision	Page	Pages
Fuselage assembly manual	D2_F0_00	Rev. 05	198	406

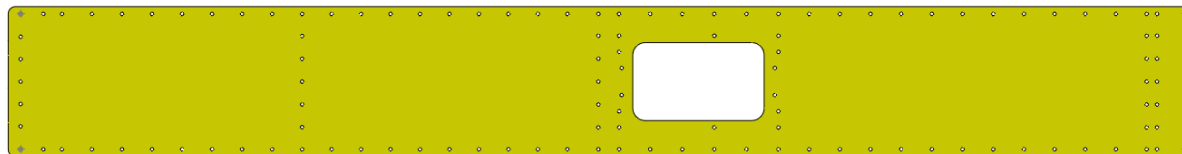


Title	Document no.	Revision	Page	Pages
Fuselage assembly manual	D2_F0_00	Rev. 05	199	406



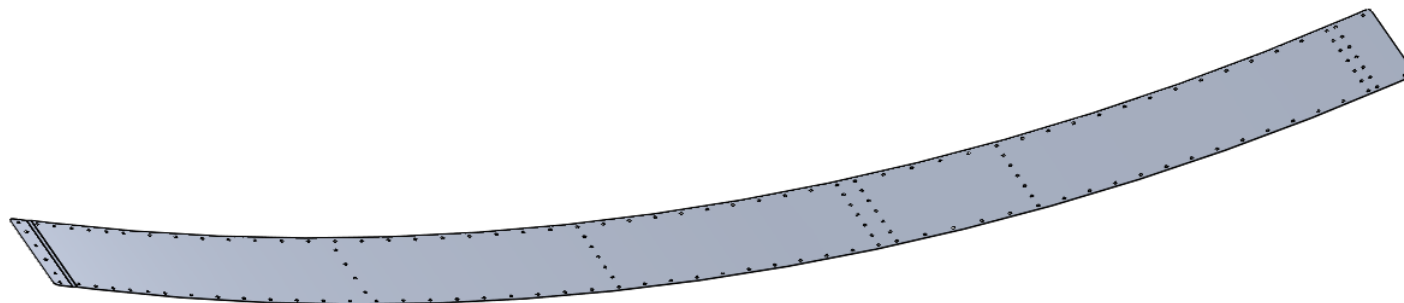
Detail: D2_F1_04N

Quantity: 1



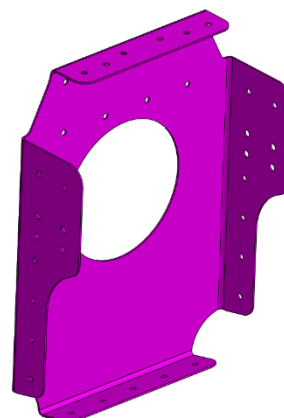
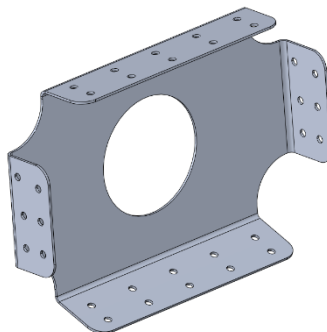
Detail: D2_F1_07N

Quantity: 1



Detail: D2_F2_01N

Quantity: 1



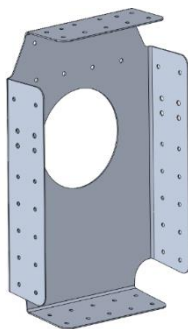
Detail: D2_F2_02N

Quantity: 1

Title	Document no.	Revision	Page	Pages
Fuselage assembly manual	D2_F0_00	Rev. 05	200	406



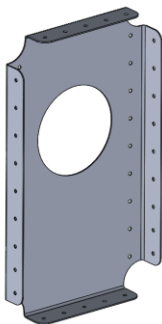
Detail: D2_F2_03N
Quantity: 1



Detail: D2_F8_01L
Quantity: 1



Detail: D2_F2_04N
Quantity: 1



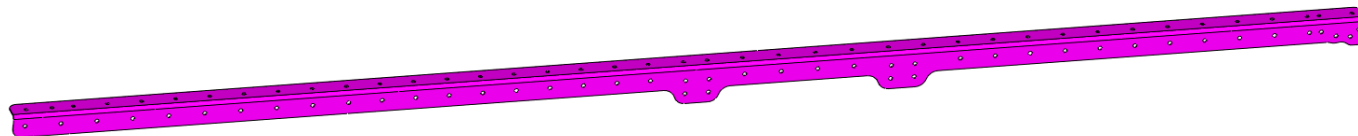
Detail: D2_F8_01P
Quantity: 1



Detail: D2_F3_01L
Quantity: 1



Detail: D2_F3_01P
Quantity: 1

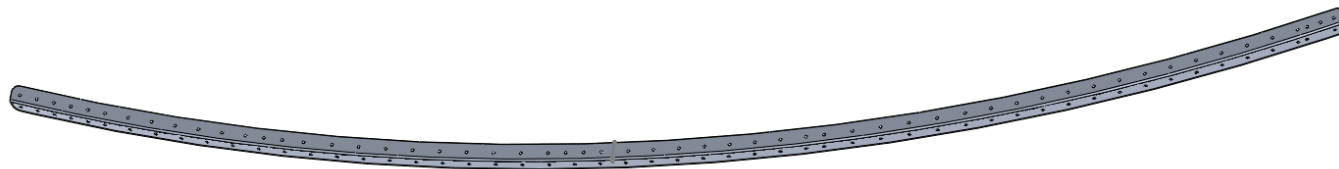


Title	Document no.	Revision	Page	Pages
Fuselage assembly manual	D2_F0_00	Rev. 05	201	406



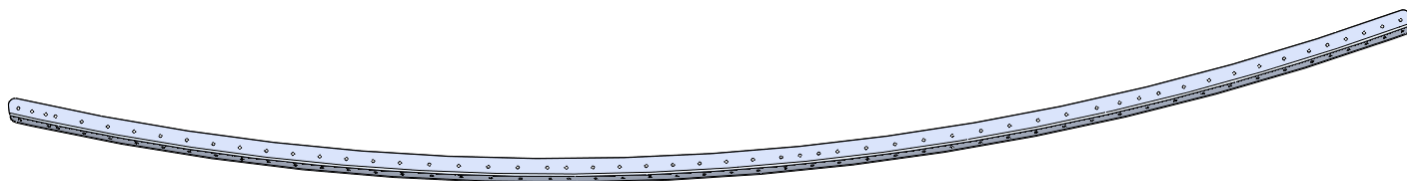
Detail: D2_F3_02L

Quantity: 1



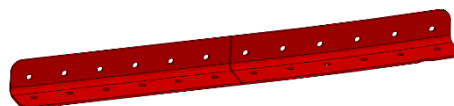
Detail: D2_F3_02P

Quantity: 1



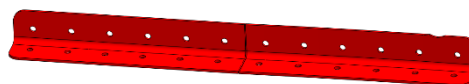
Detail: D2_F3_25L

Quantity: 1



Detail: D2_F3_25P

Quantity: 1

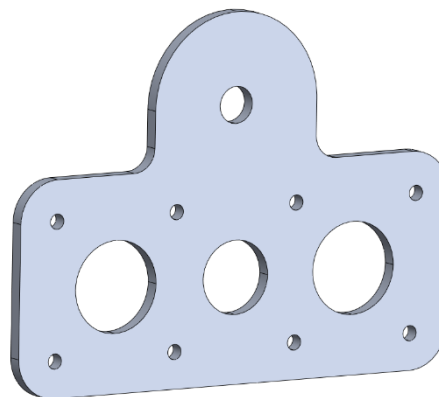


Title	Document no.	Revision	Page	Pages
Fuselage assembly manual	D2_F0_00	Rev. 05	202	406



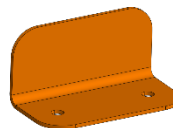
Detail: D2_F4_15N

Quantity: 2



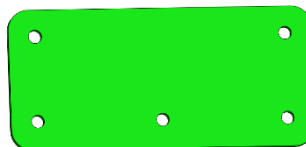
Detail: D2_F4_16N

Quantity: 1



Detail: D2_F4_30N

Quantity: 2



Detail: Rivet Al 4 x 9.5

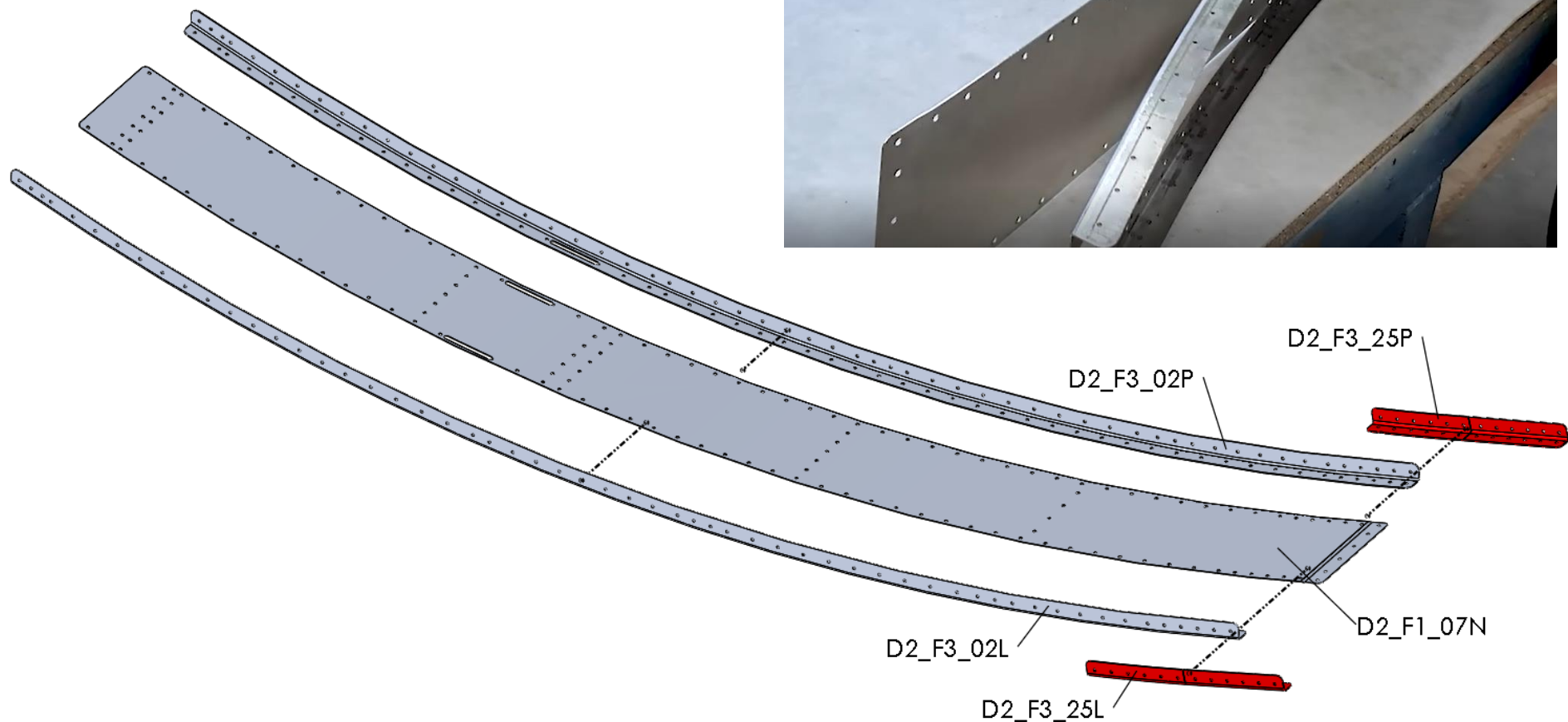
Quantity: 16



Title	Document no.	Revision	Page	Pages
Fuselage assembly manual	D2_F0_00	Rev. 05	203	406



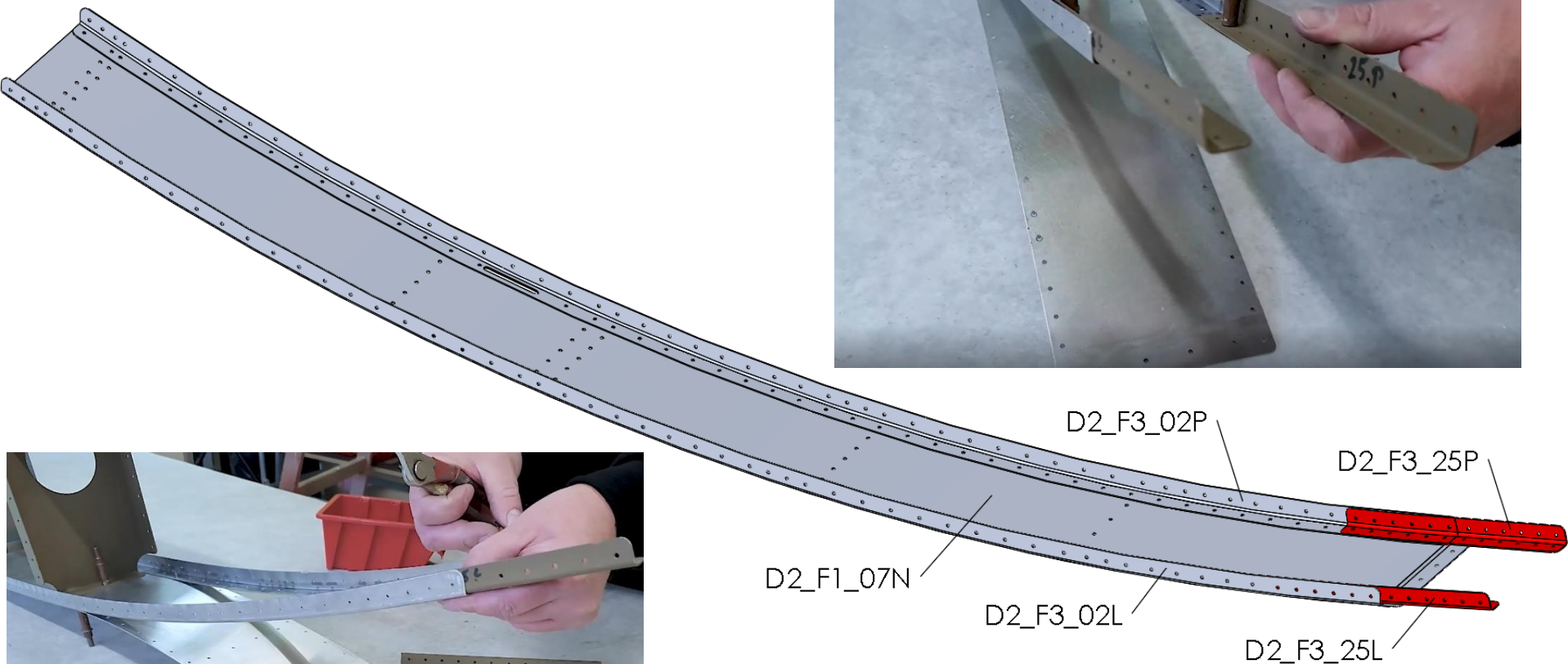
Step 1



Title	Document no.	Revision	Page	Pages
Fuselage assembly manual	D2_F0_00	Rev. 05	204	406



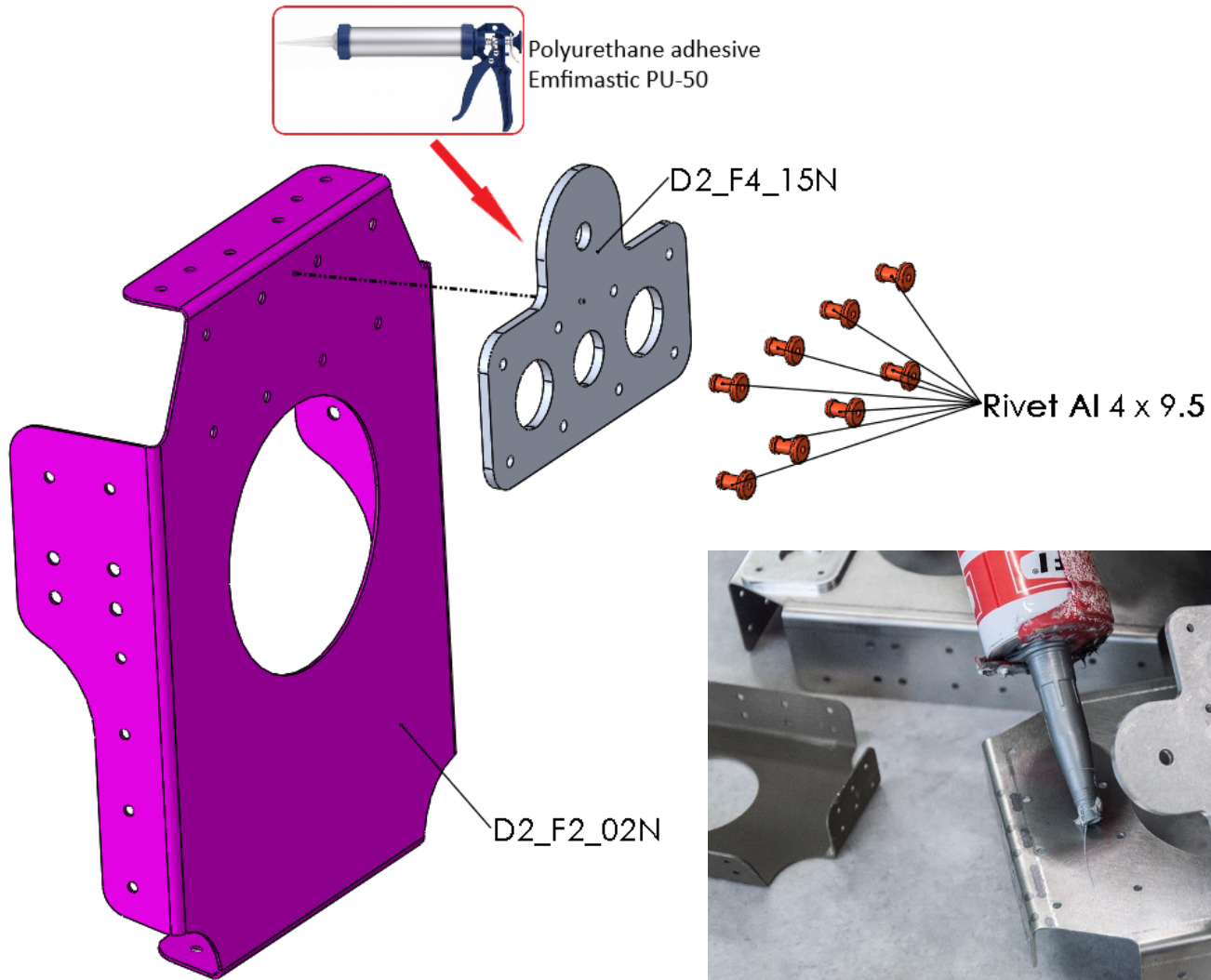
Step 2



Title	Document no.	Revision	Page	Pages
Fuselage assembly manual	D2_F0_00	Rev. 05	205	406



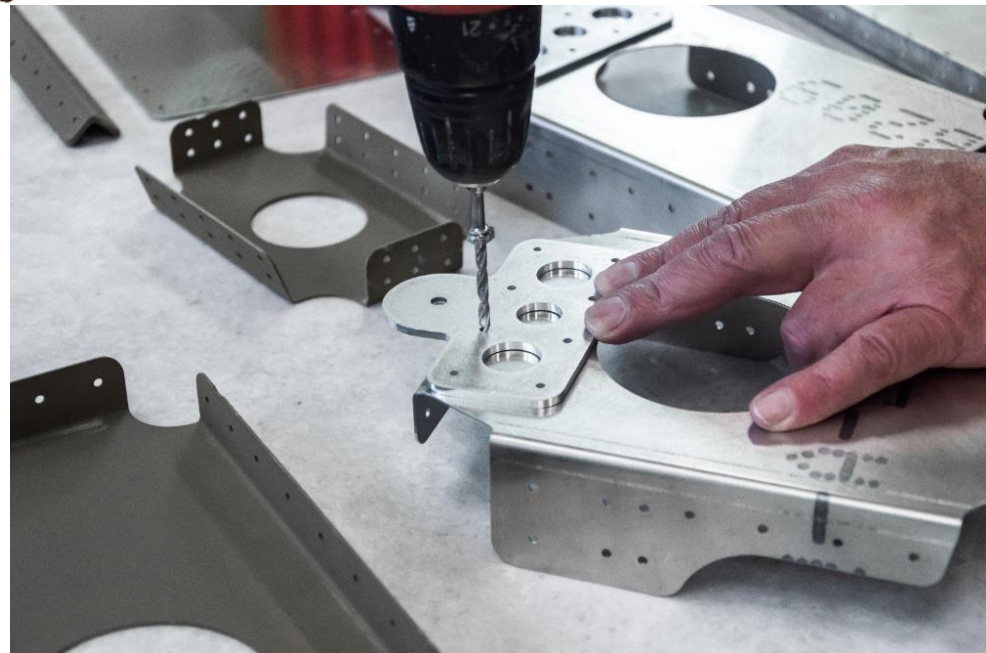
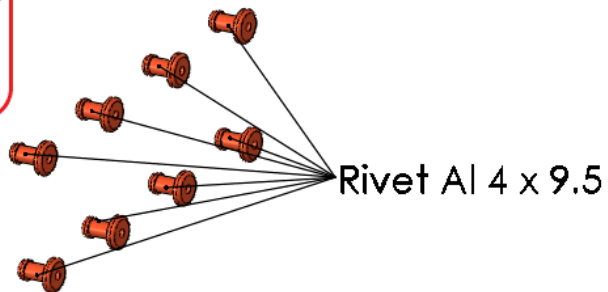
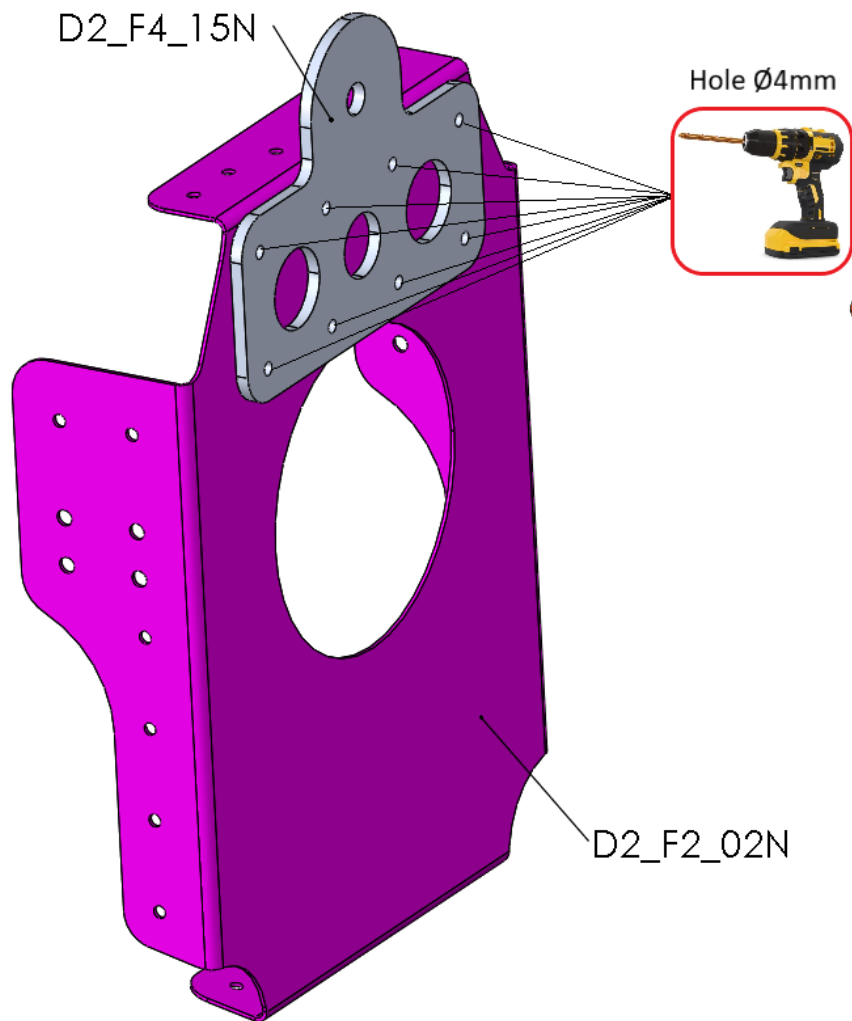
Step 3



Title	Document no.	Revision	Page	Pages
Fuselage assembly manual	D2_F0_00	Rev. 05	206	406



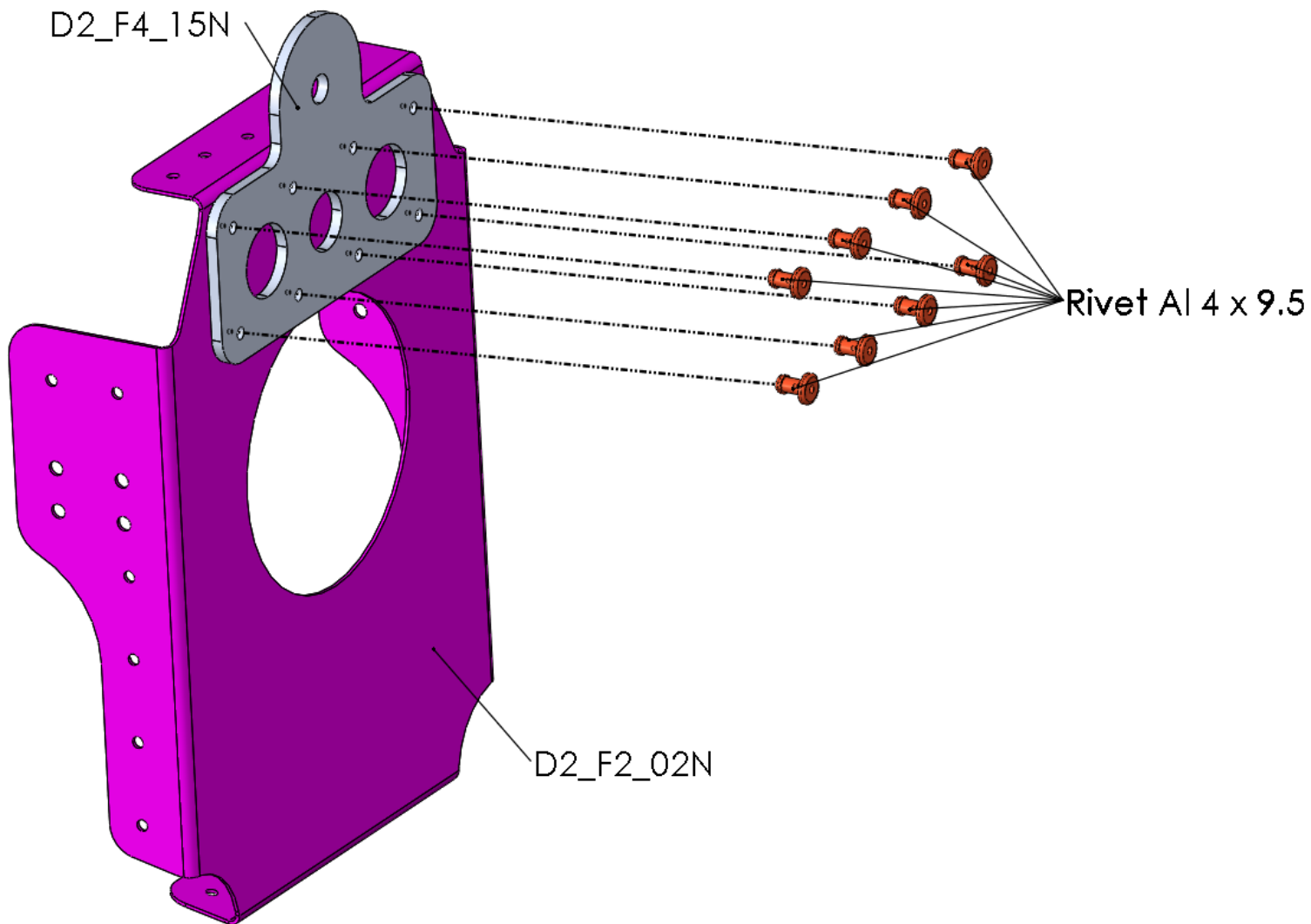
Step 4



Title	Document no.	Revision	Page	Pages
Fuselage assembly manual	D2_F0_00	Rev. 05	207	406



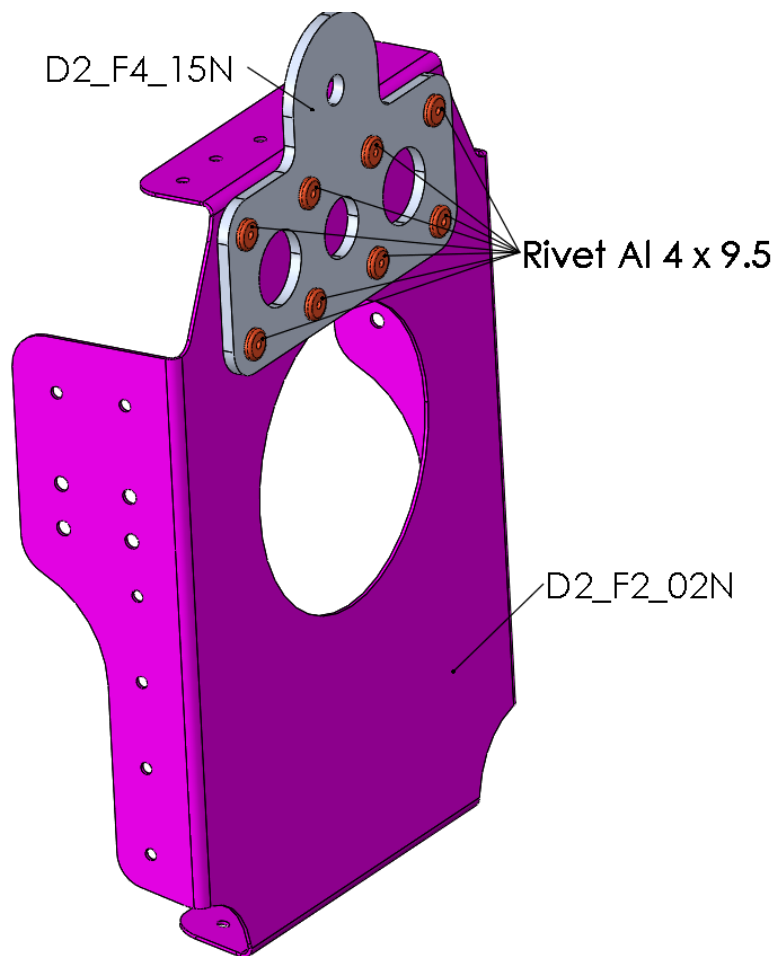
Step 5



Title	Document no.	Revision	Page	Pages
Fuselage assembly manual	D2_F0_00	Rev. 05	208	406



Step 6



Title	Document no.	Revision	Page	Pages
Fuselage assembly manual	D2_F0_00	Rev. 05	209	406

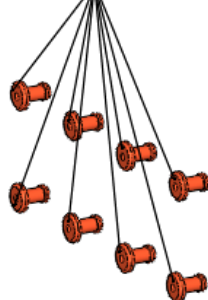


Step 7

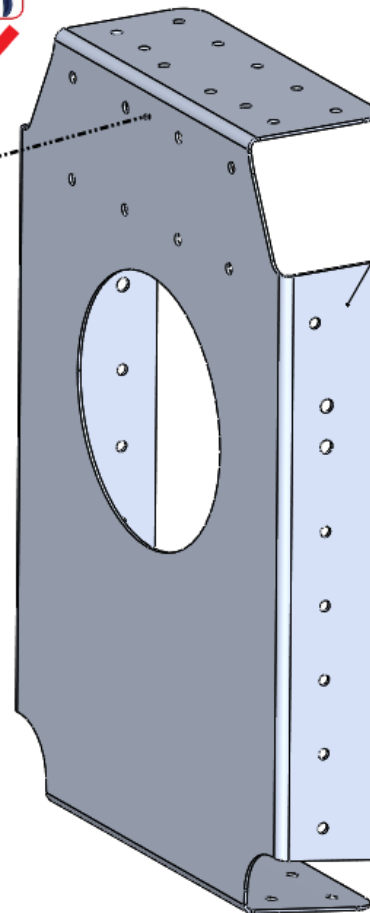
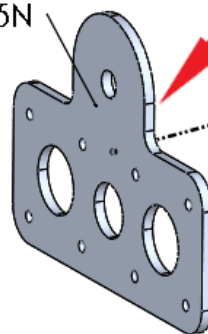


Polyurethane adhesive
Emfimastic PU-50

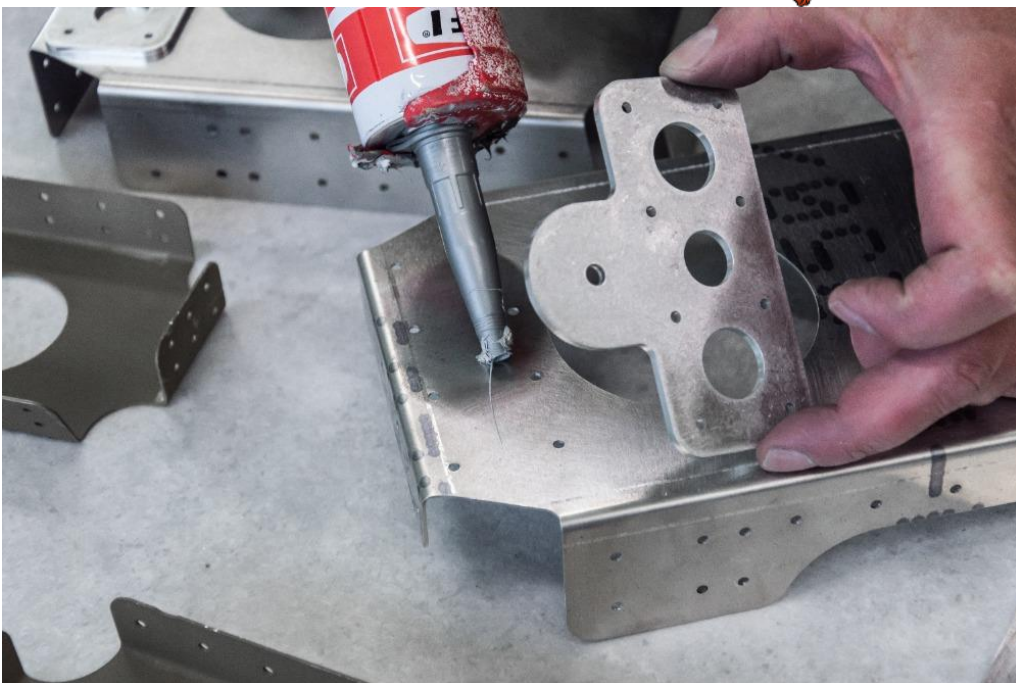
Rivet Al 4 x 9.5



D2_F4_15N



D2_F2_03N

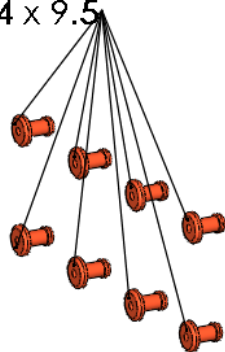


Title	Document no.	Revision	Page	Pages
Fuselage assembly manual	D2_F0_00	Rev. 05	210	406



Step 8

Rivet Al 4 x 9.5

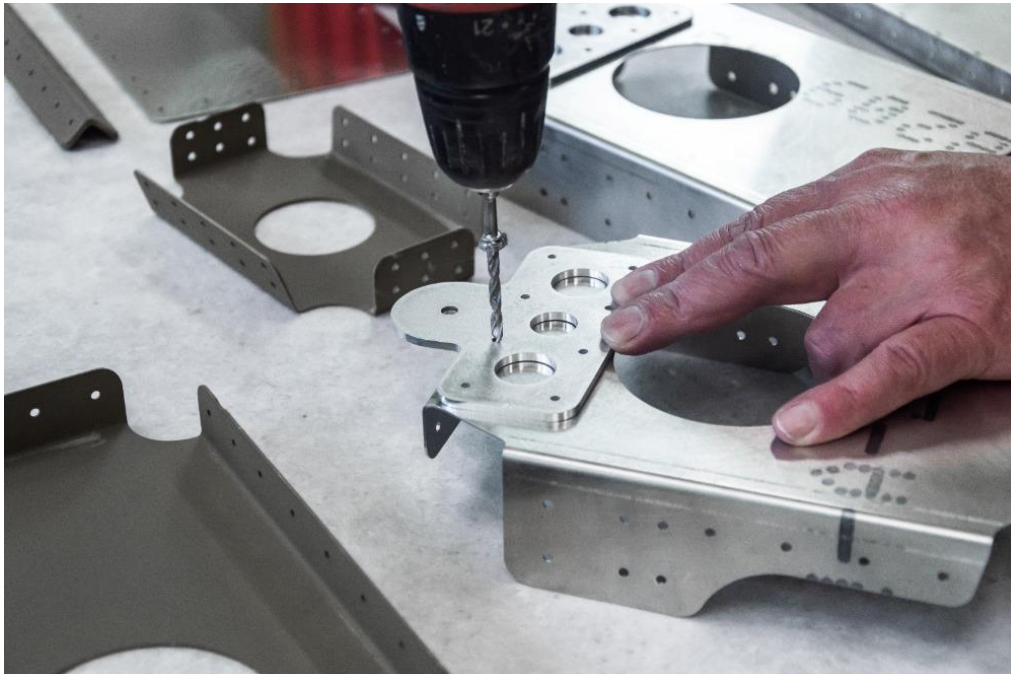
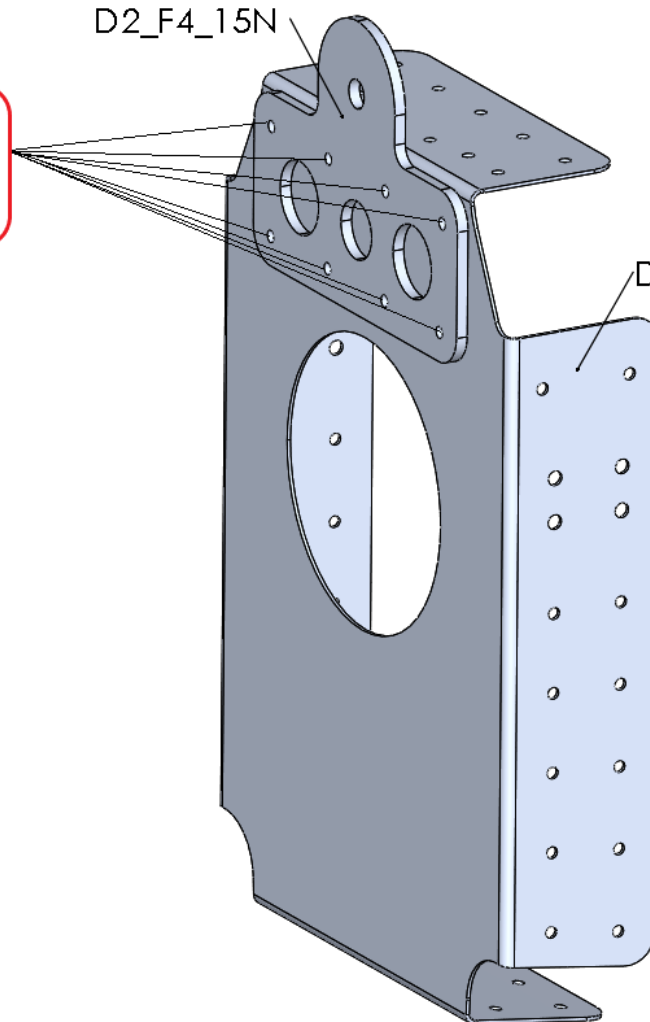


Hole Ø4mm



D2_F4_15N

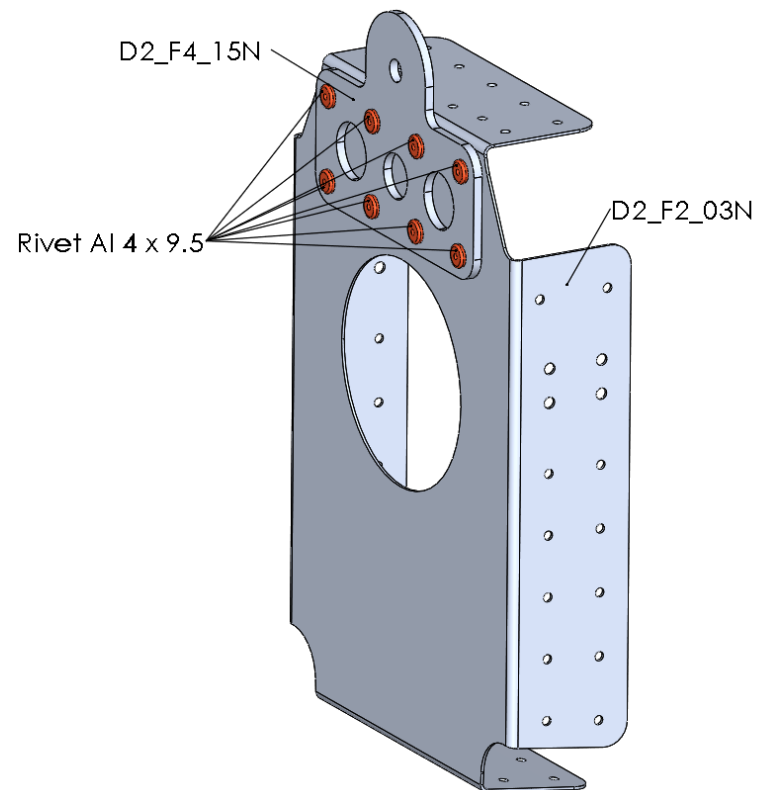
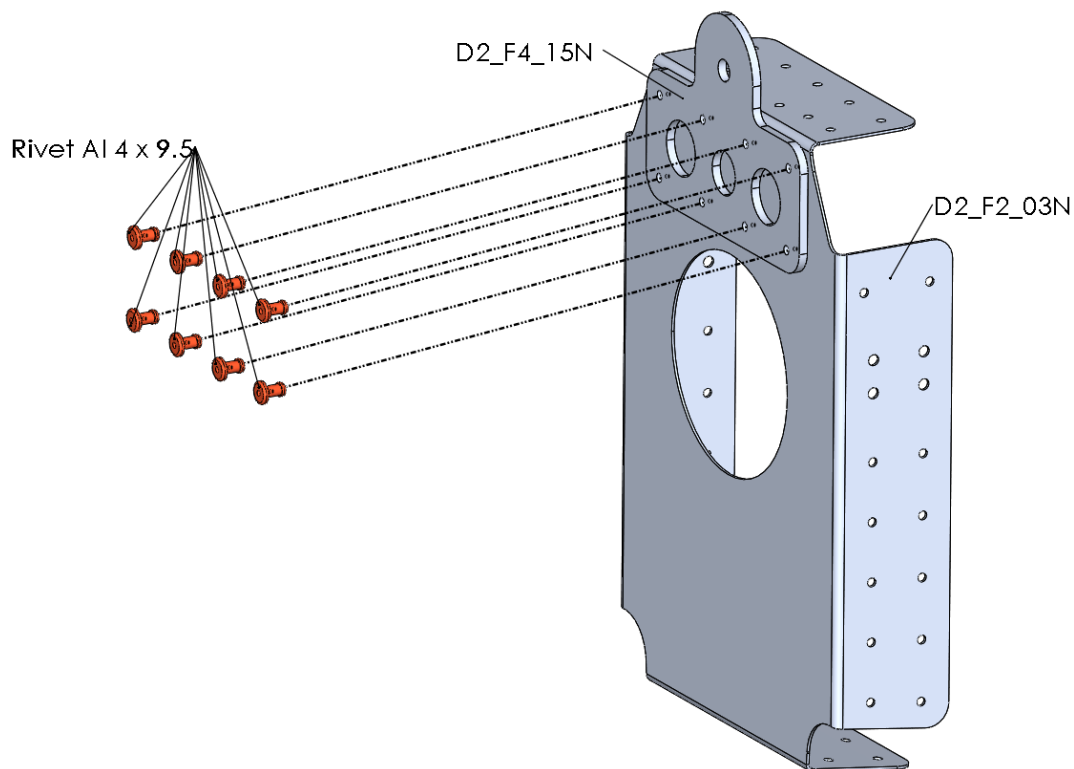
D2_F2_03N



Title	Document no.	Revision	Page	Pages
Fuselage assembly manual	D2_F0_00	Rev. 05	211	406



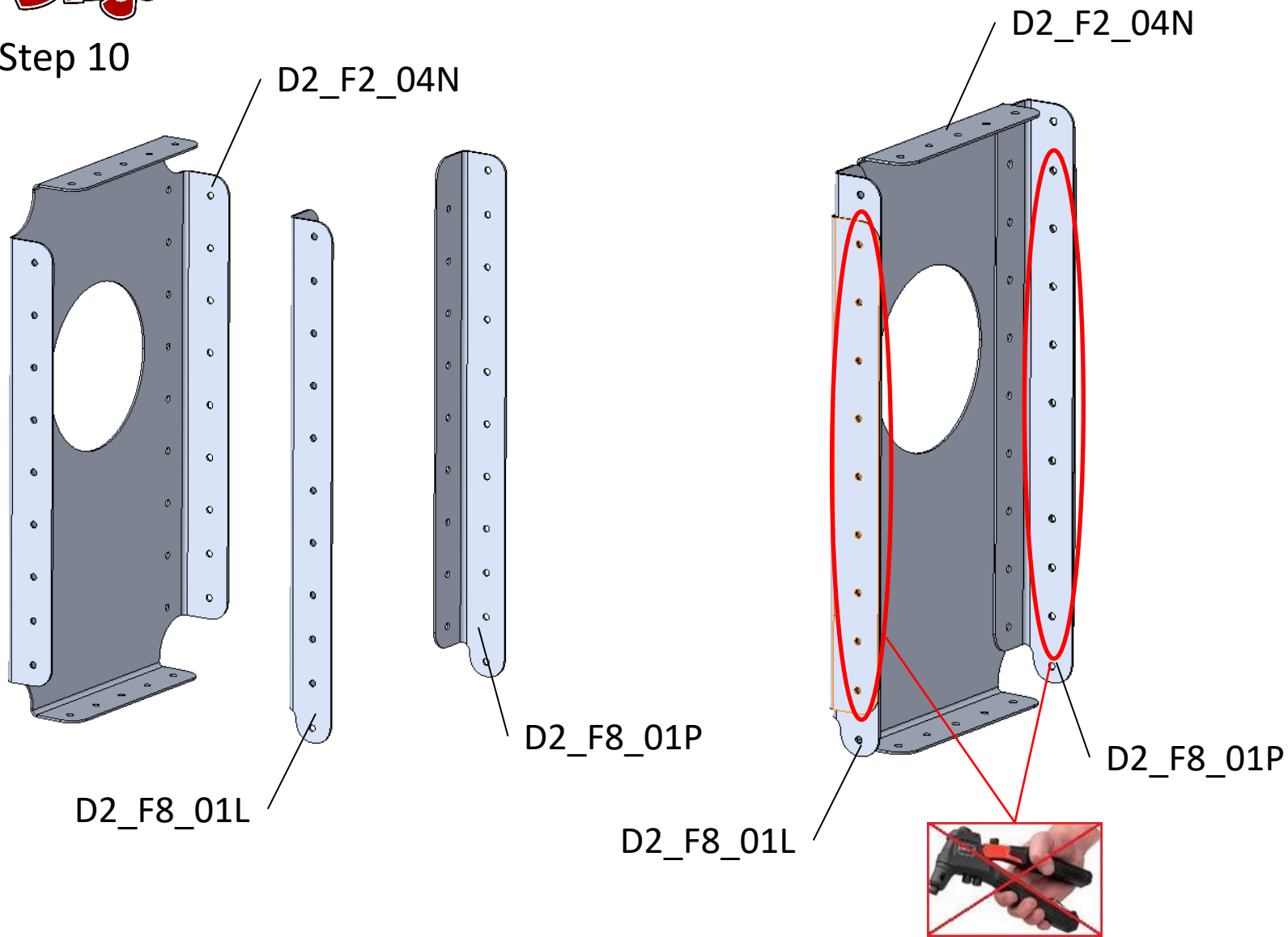
Step 9



Title	Document no.	Revision	Page	Pages
Fuselage assembly manual	D2_F0_00	Rev. 05	212	406



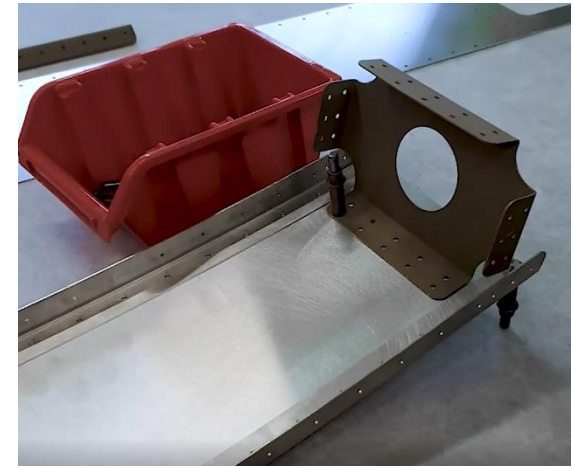
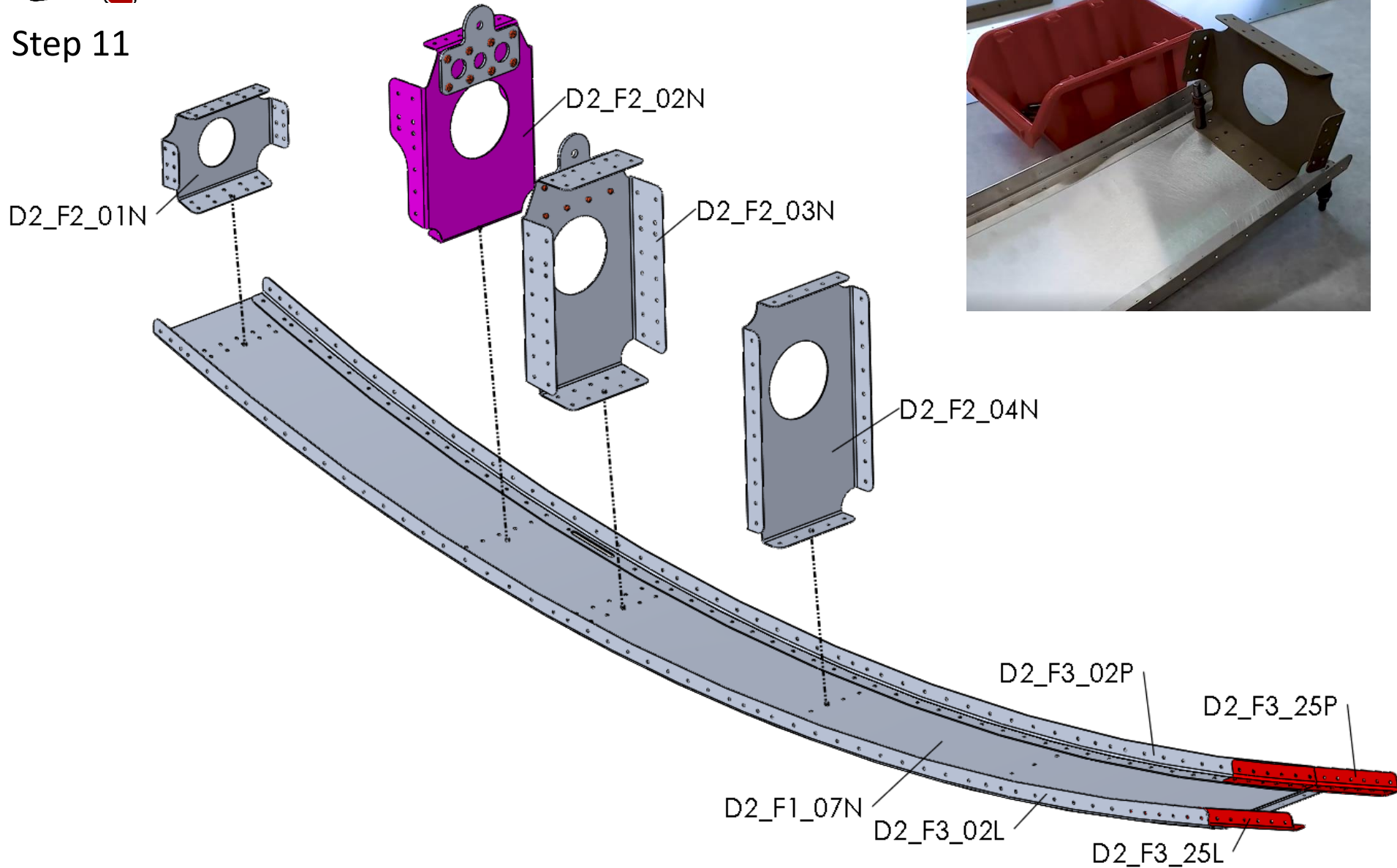
Step 10



Title	Document no.	Revision	Page	Pages
Fuselage assembly manual	D2_F0_00	Rev. 05	213	406



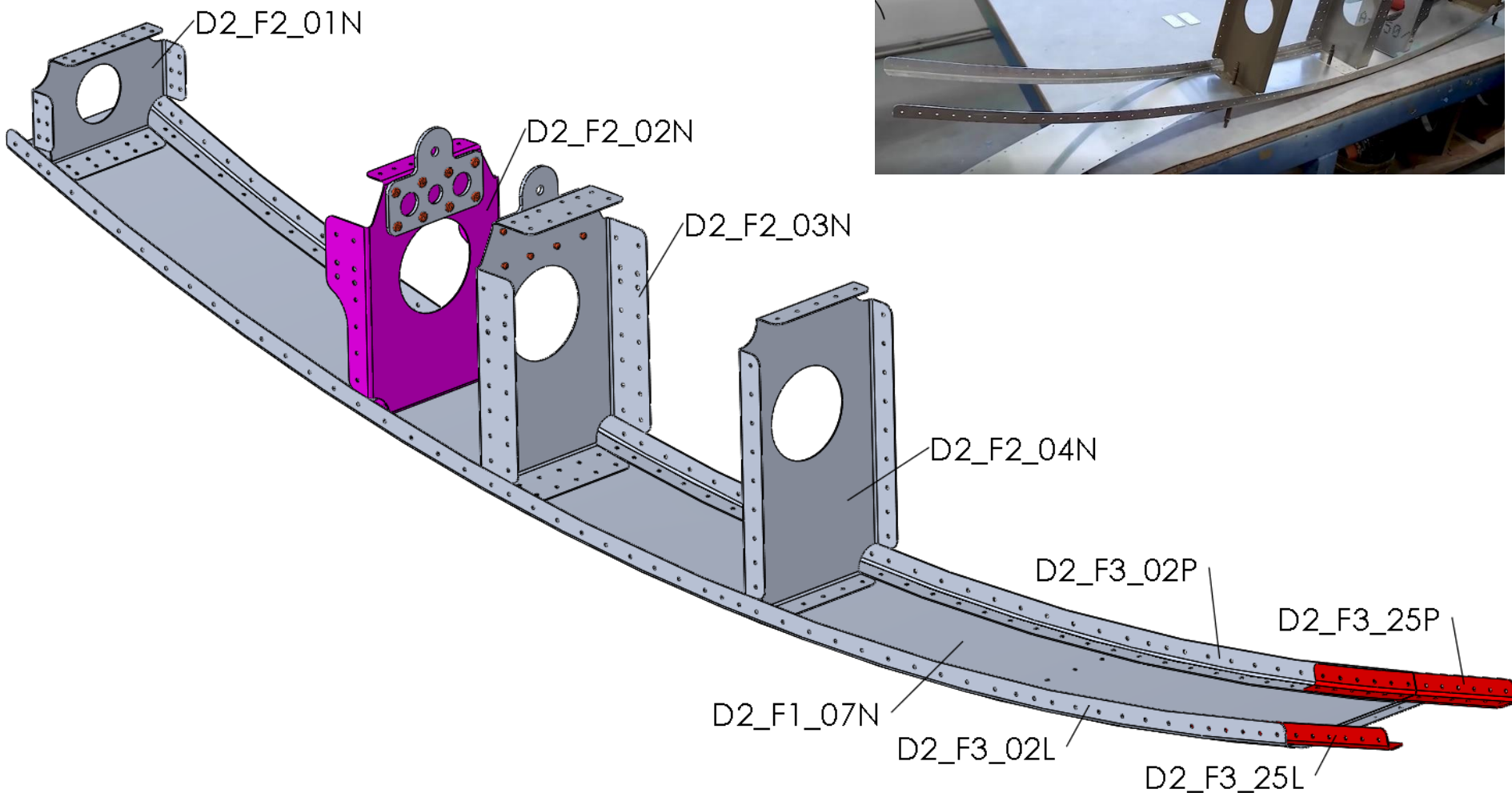
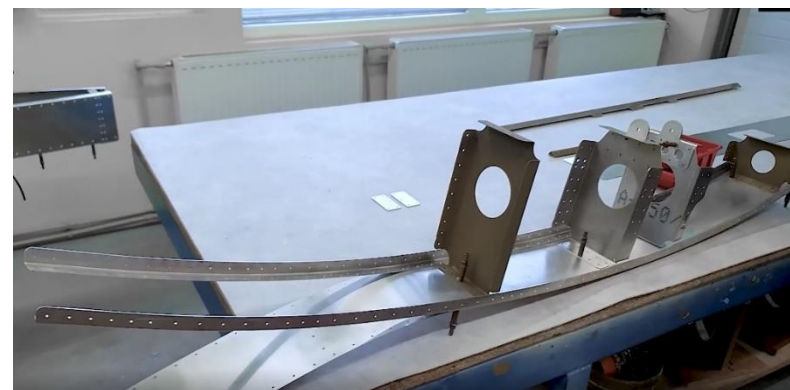
Step 11



Title	Document no.	Revision	Page	Pages
Fuselage assembly manual	D2_F0_00	Rev. 05	214	406



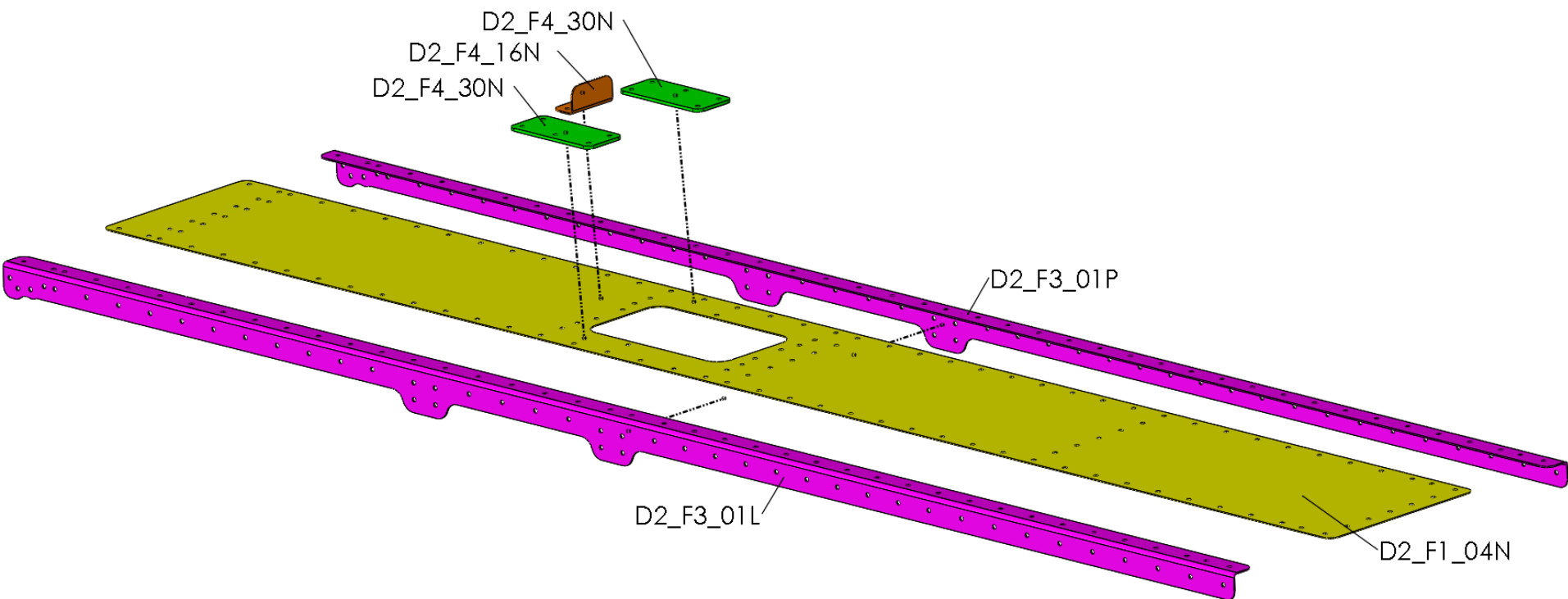
Step 12



Title	Document no.	Revision	Page	Pages
Fuselage assembly manual	D2_F0_00	Rev. 05	215	406



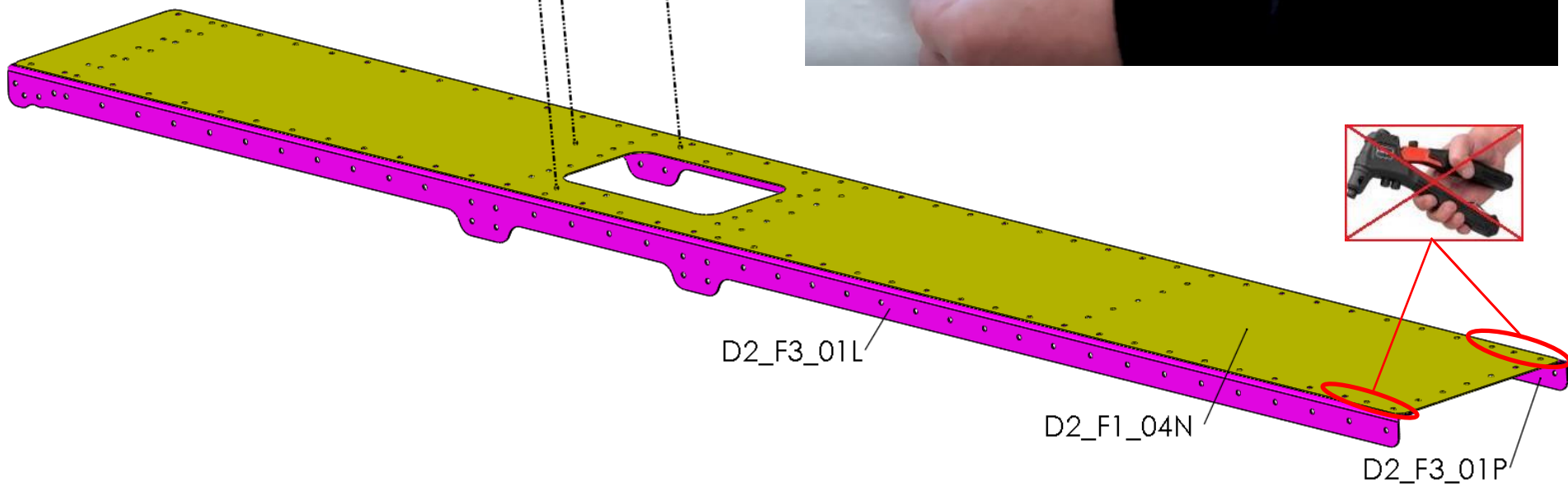
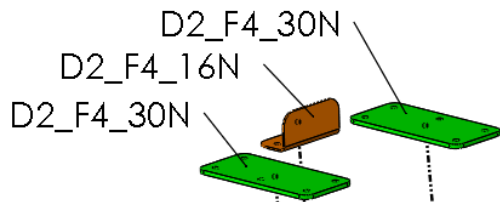
Step 13



Title	Document no.	Revision	Page	Pages
Fuselage assembly manual	D2_F0_00	Rev. 05	216	406



Step 14



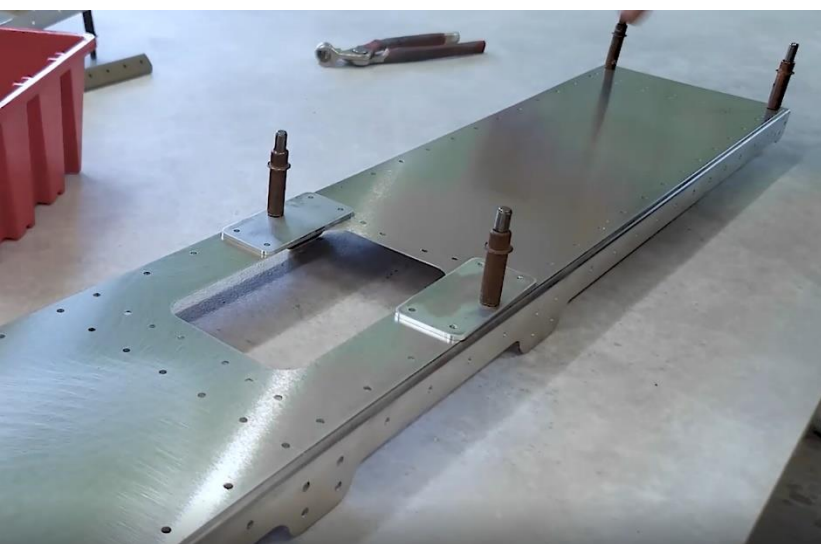
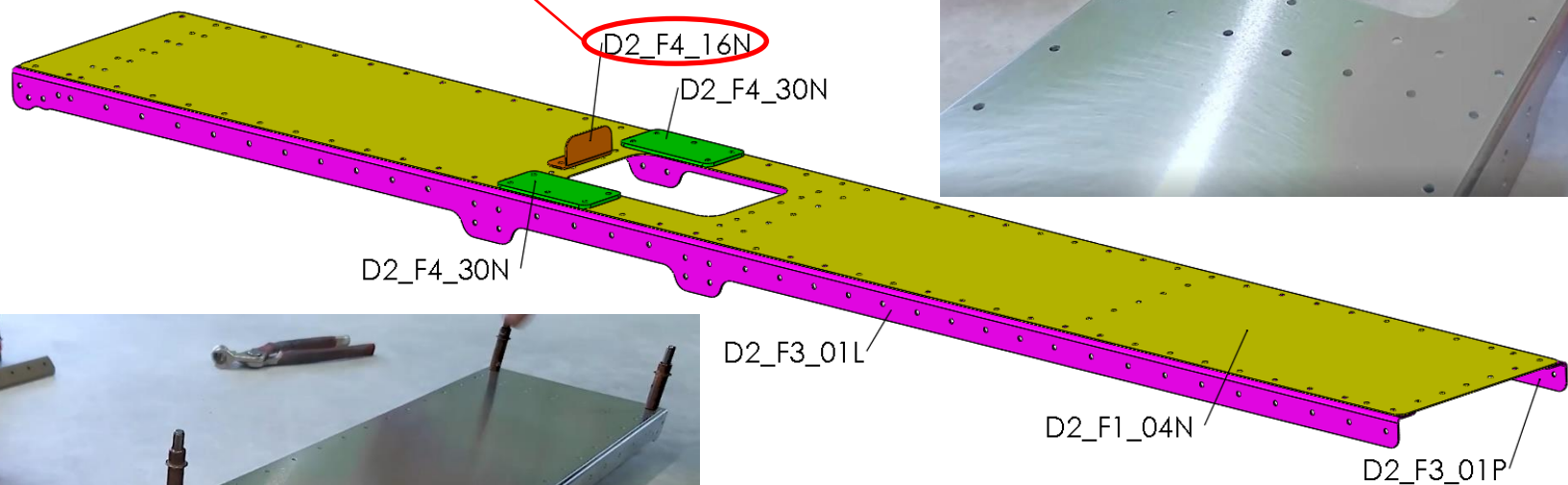
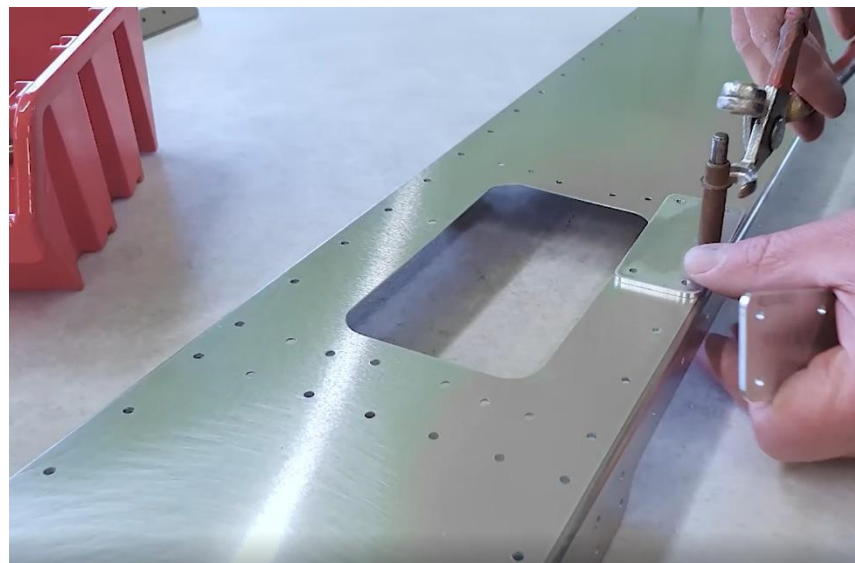
Title	Document no.	Revision	Page	Pages
Fuselage assembly manual	D2_F0_00	Rev. 05	217	406



Step 15



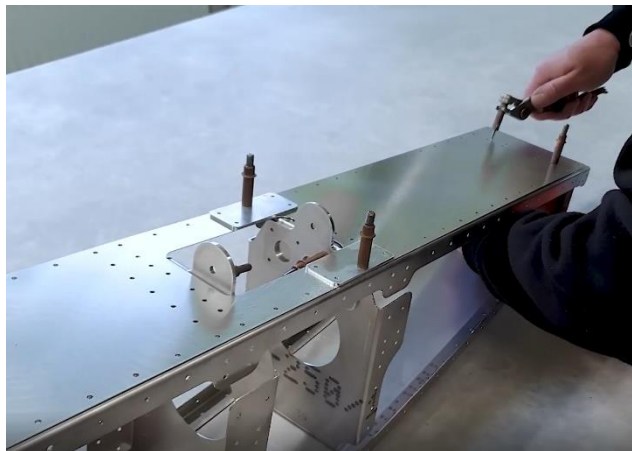
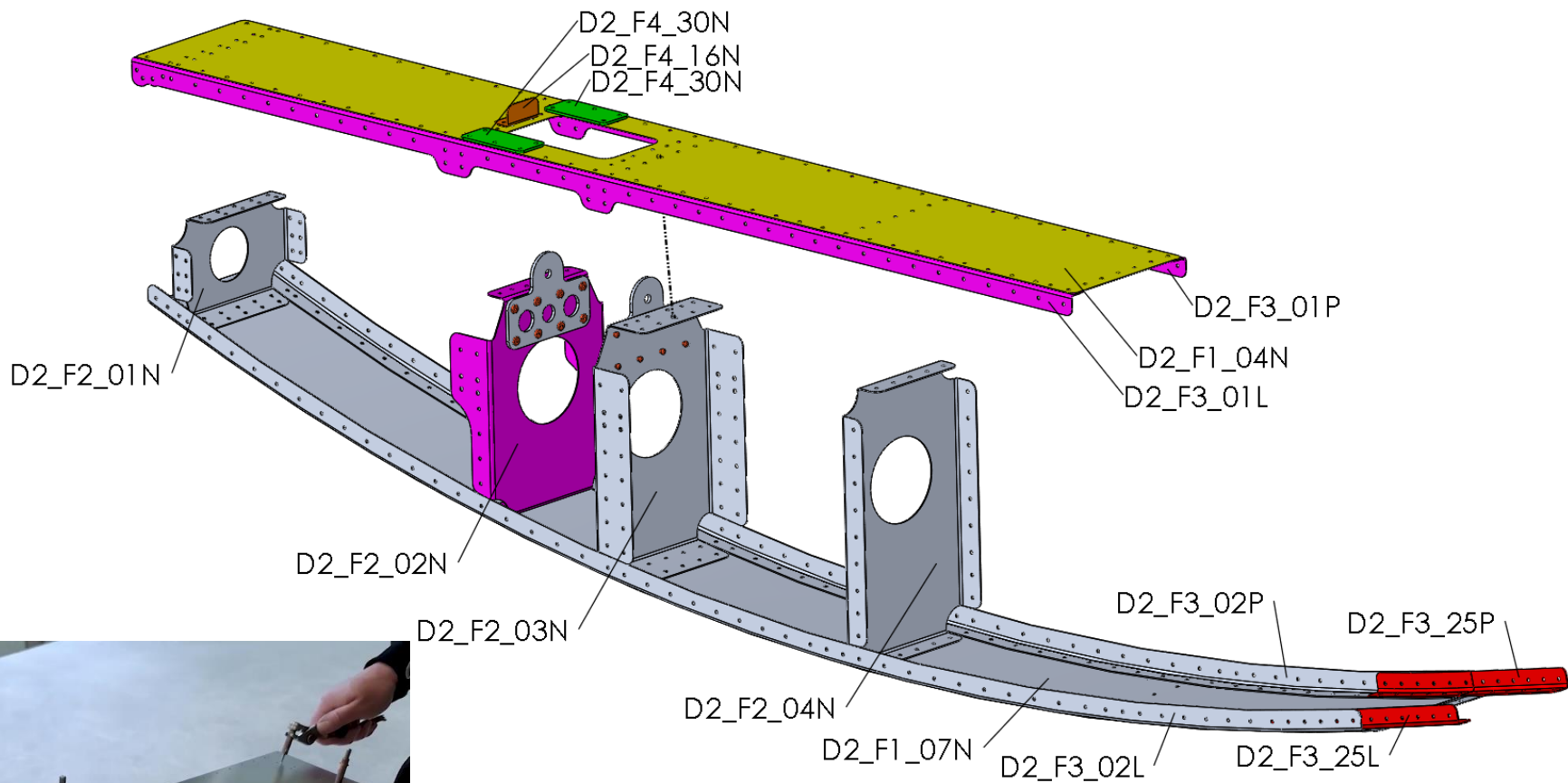
i Page 286



Title	Document no.	Revision	Page	Pages
Fuselage assembly manual	D2_F0_00	Rev. 05	218	406



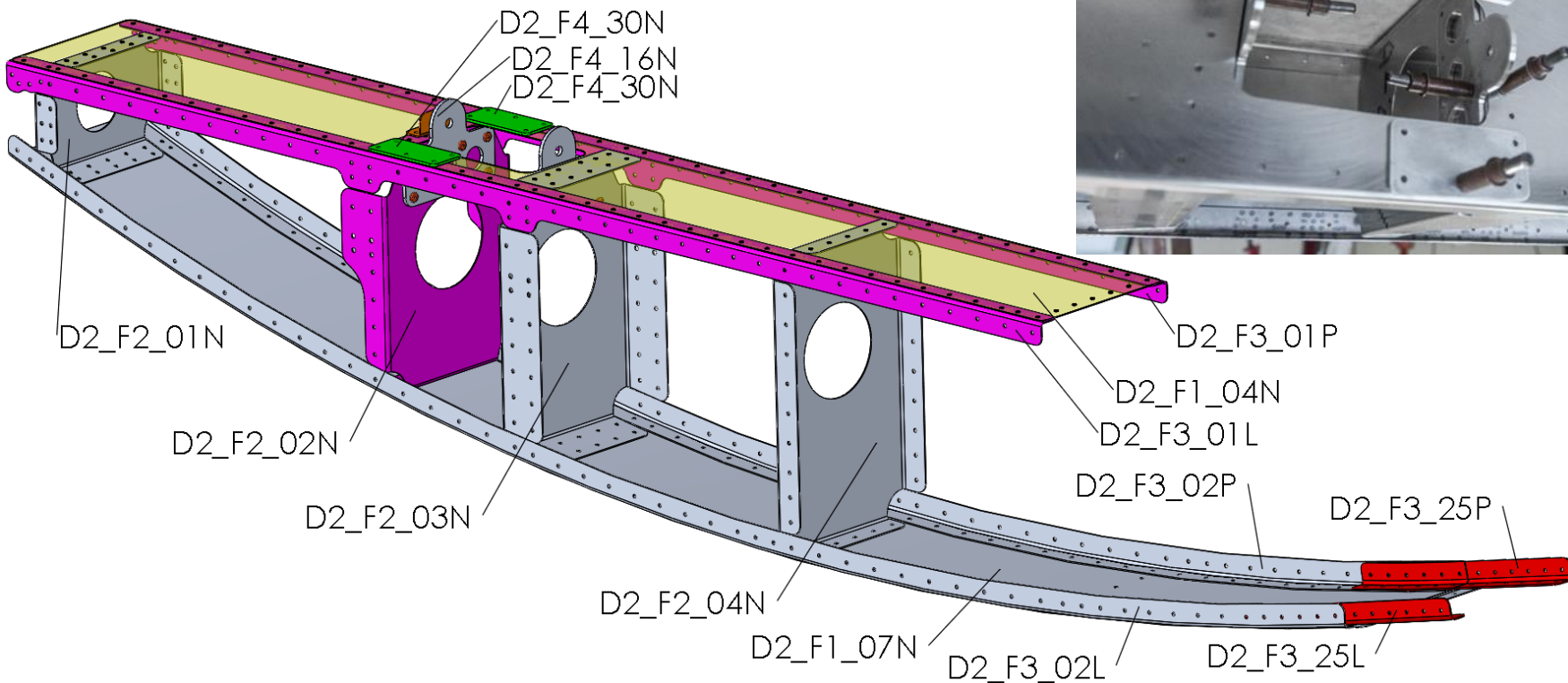
Step 16



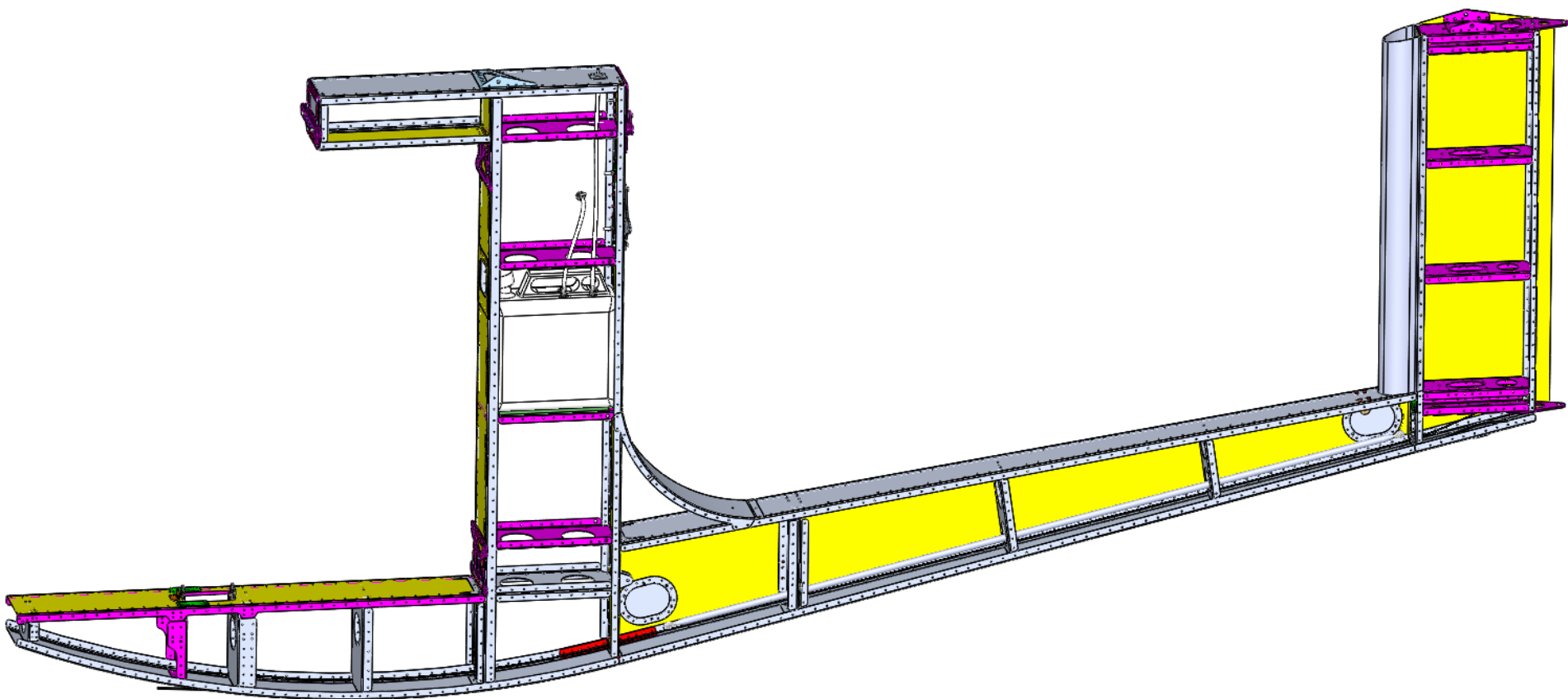
Title	Document no.	Revision	Page	Pages
Fuselage assembly manual	D2_F0_00	Rev. 05	219	406



Step 17



Title	Document no.	Revision	Page	Pages
Fuselage assembly manual	D2_F0_00	Rev. 05	220	406

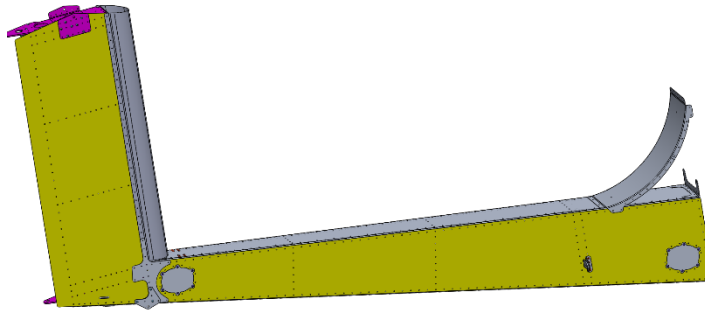


Title	Document no.	Revision	Page	Pages
Fuselage assembly manual	D2_F0_00	Rev. 05	221	406



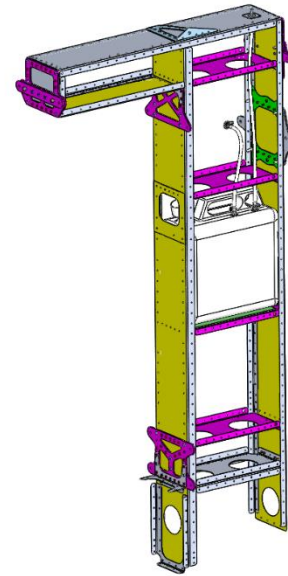
Fuselage

Detail: Part 1



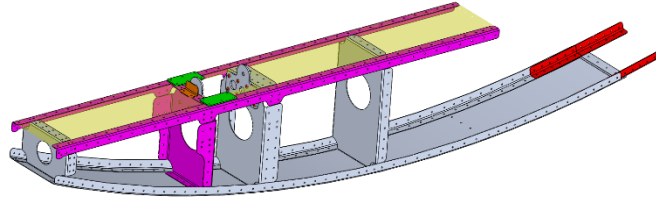
Fuselage

Detail: Part 4



Fuselage

Detail: Part 5



Detail: PETF TUBE

Quantity: 2



Detail: Elevator pushrod 2

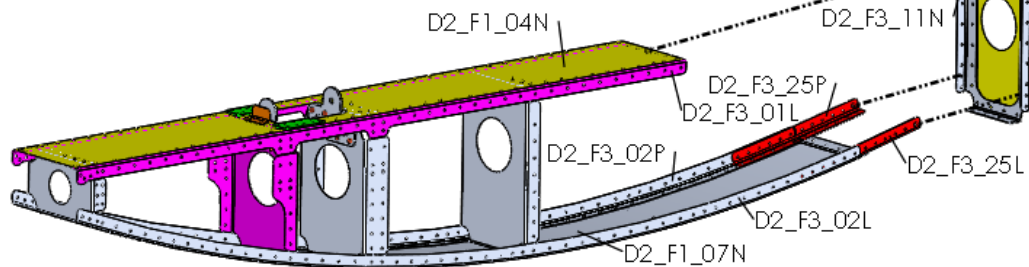
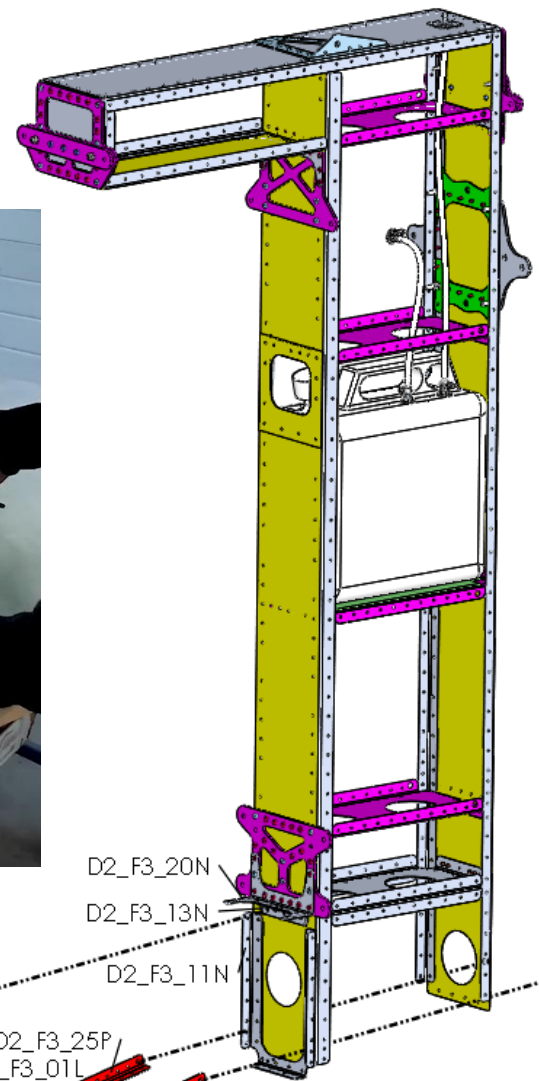
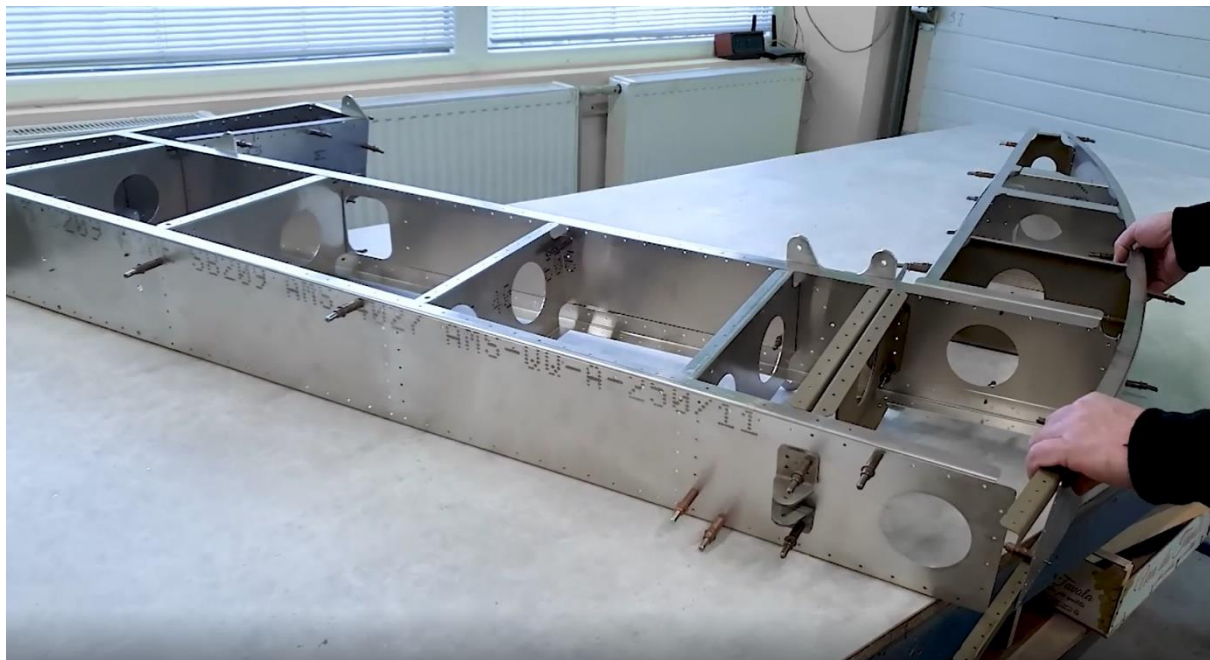
Quantity: 1



Title	Document no.	Revision	Page	Pages
Fuselage assembly manual	D2_F0_00	Rev. 05	222	406



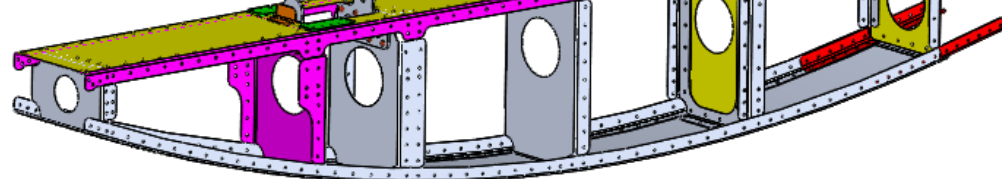
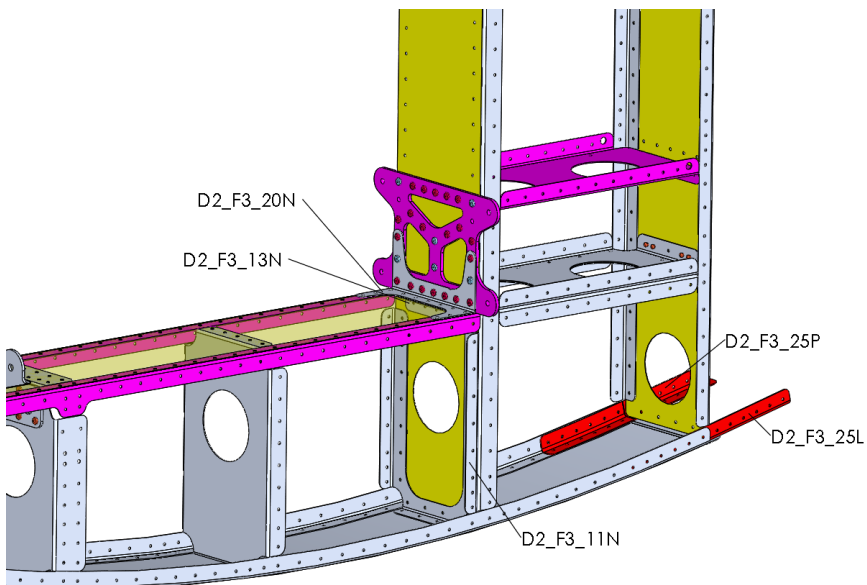
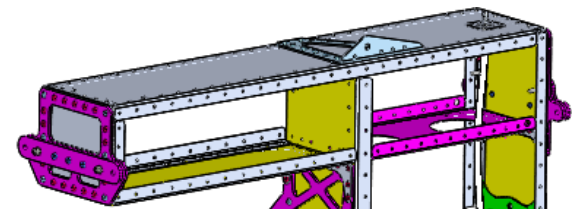
Step 1



Title	Document no.	Revision	Page	Pages
Fuselage assembly manual	D2_F0_00	Rev. 05	223	406



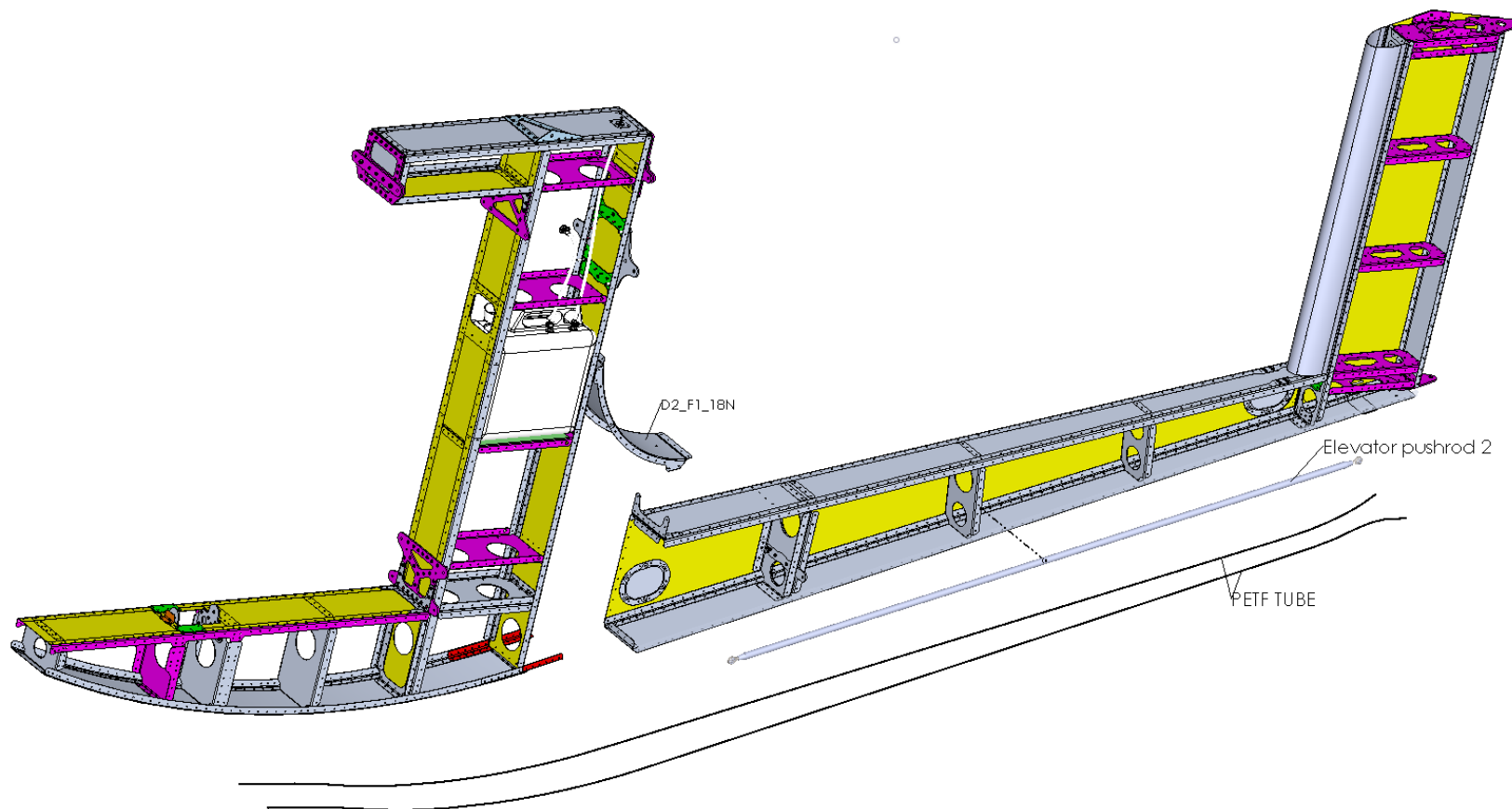
Step 2



Title	Document no.	Revision	Page	Pages
Fuselage assembly manual	D2_F0_00	Rev. 05	224	406



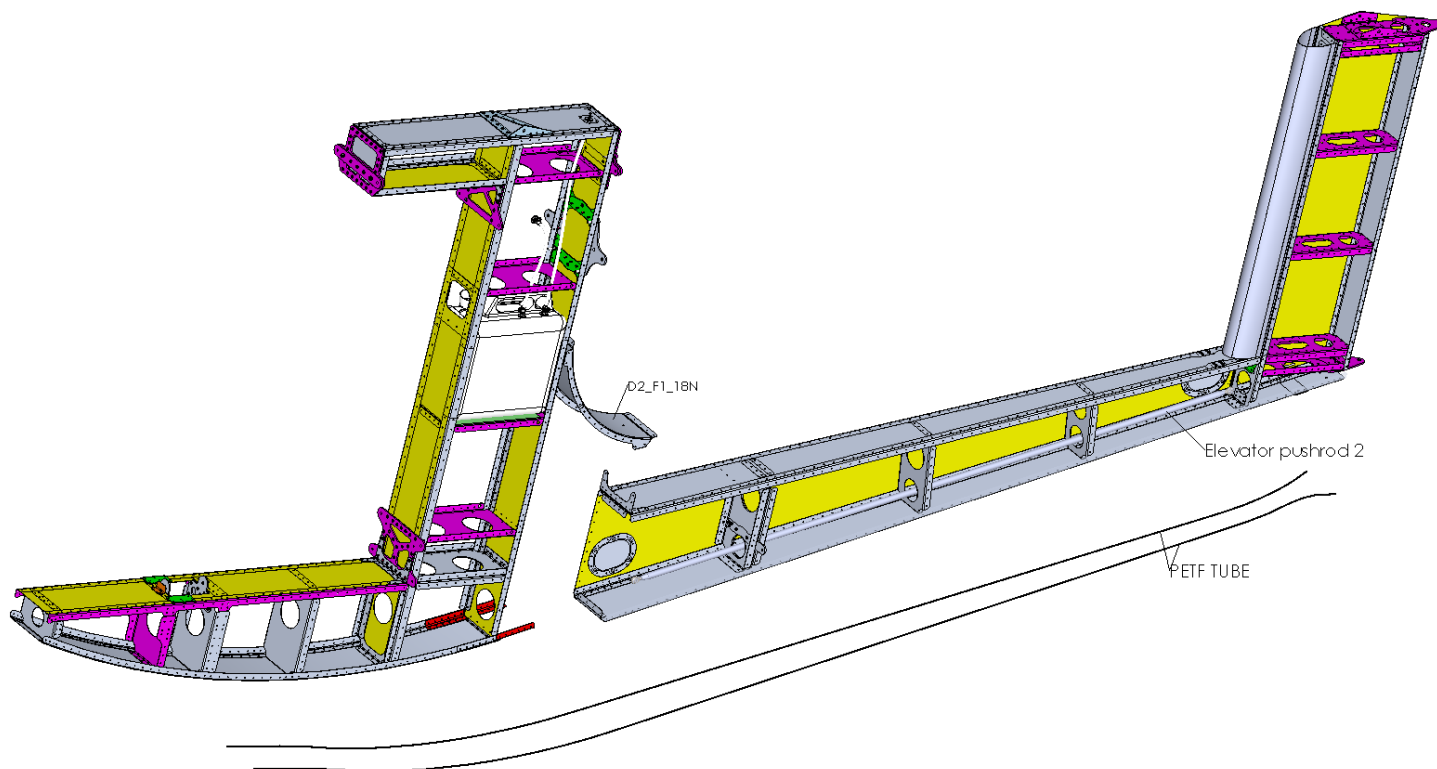
Step 3



Title	Document no.	Revision	Page	Pages
Fuselage assembly manual	D2_F0_00	Rev. 05	225	406



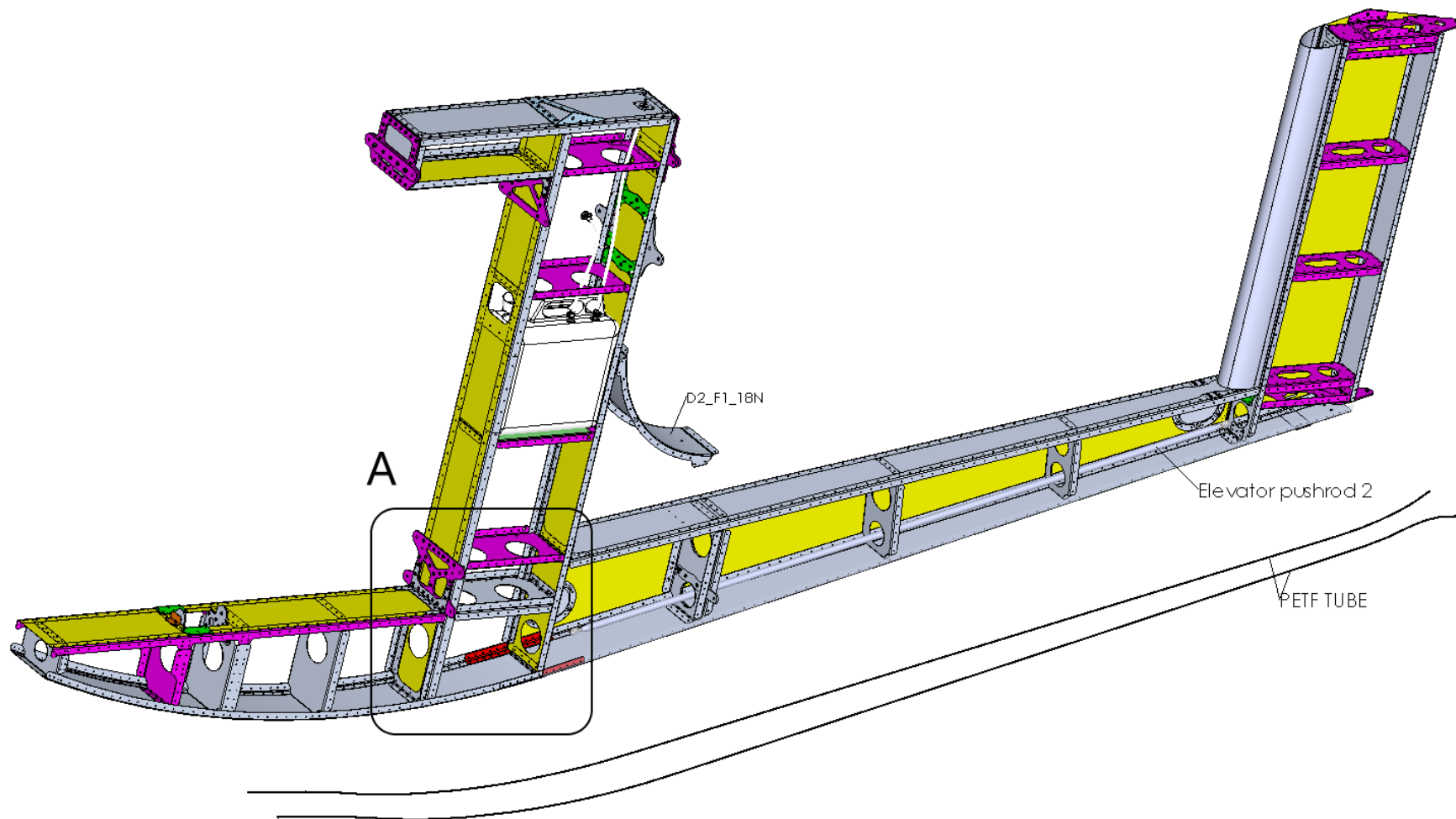
Step 4



Title	Document no.	Revision	Page	Pages
Fuselage assembly manual	D2_F0_00	Rev. 05	226	406



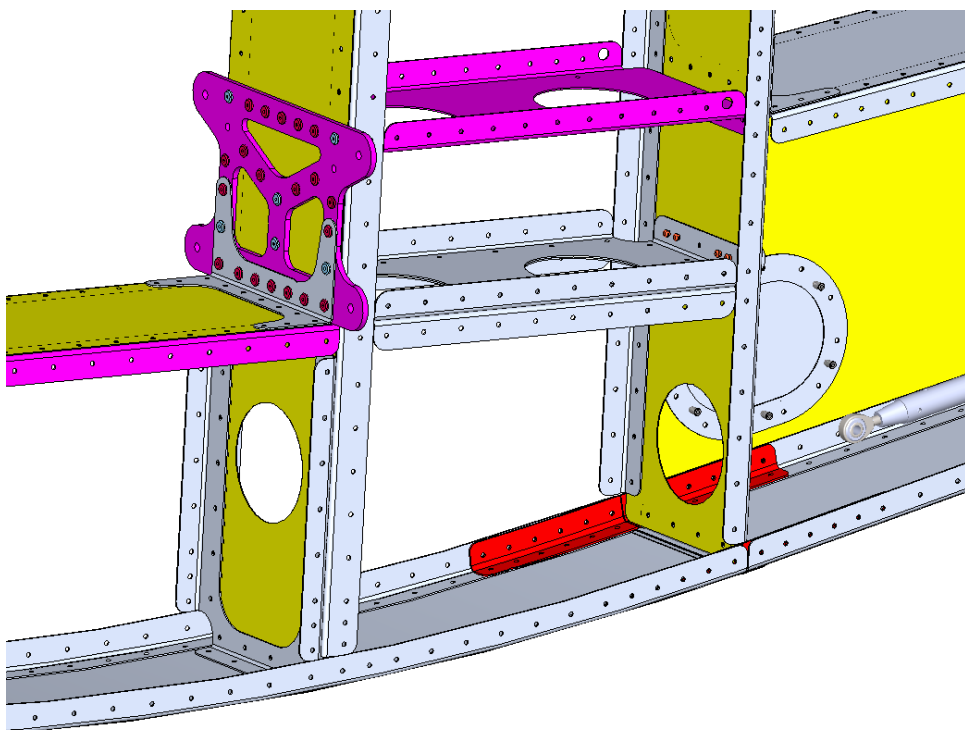
Step 5



Title	Document no.	Revision	Page	Pages
Fuselage assembly manual	D2_F0_00	Rev. 05	227	406



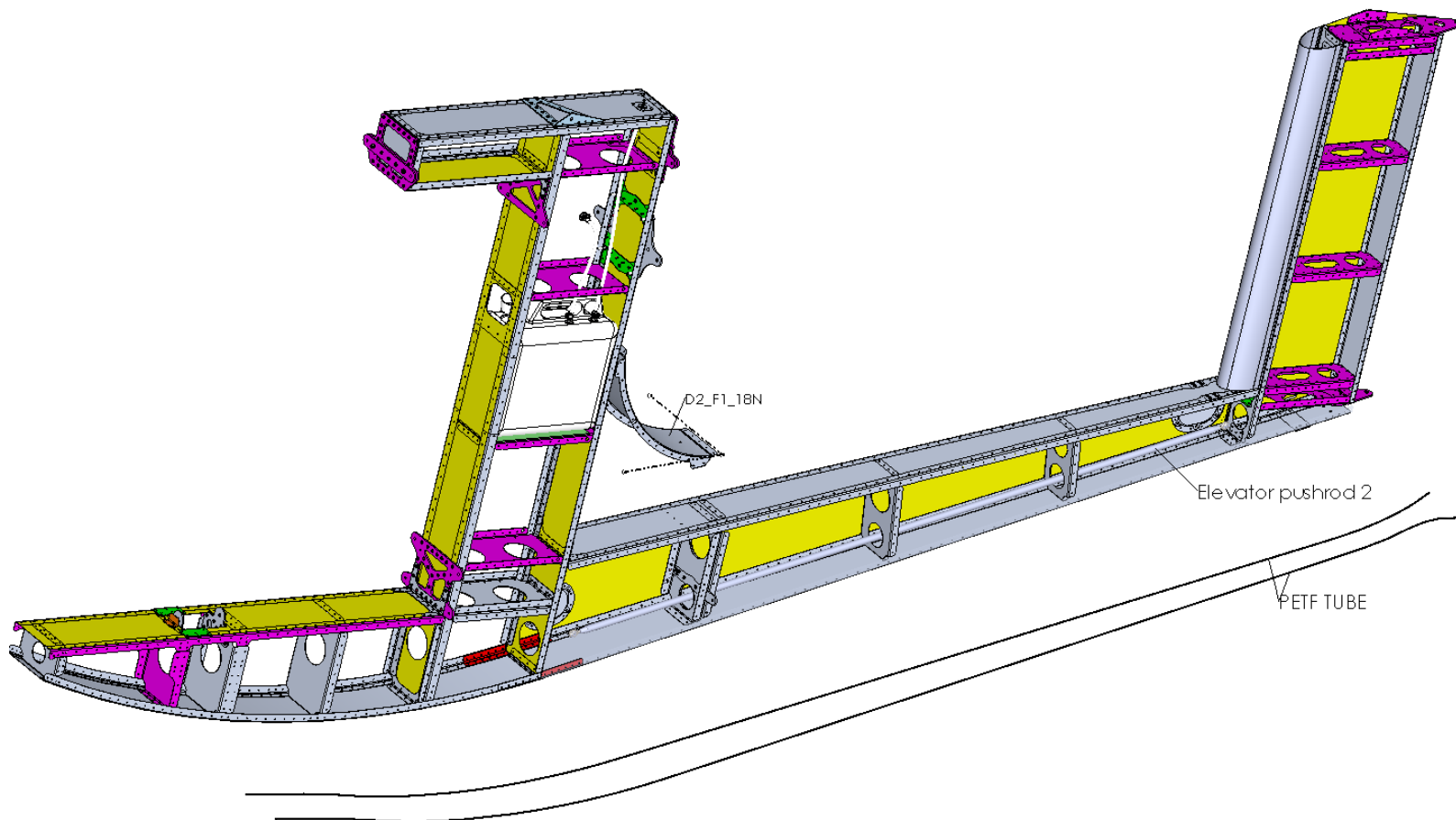
Step 5A



Title	Document no.	Revision	Page	Pages
Fuselage assembly manual	D2_F0_00	Rev. 05	228	406



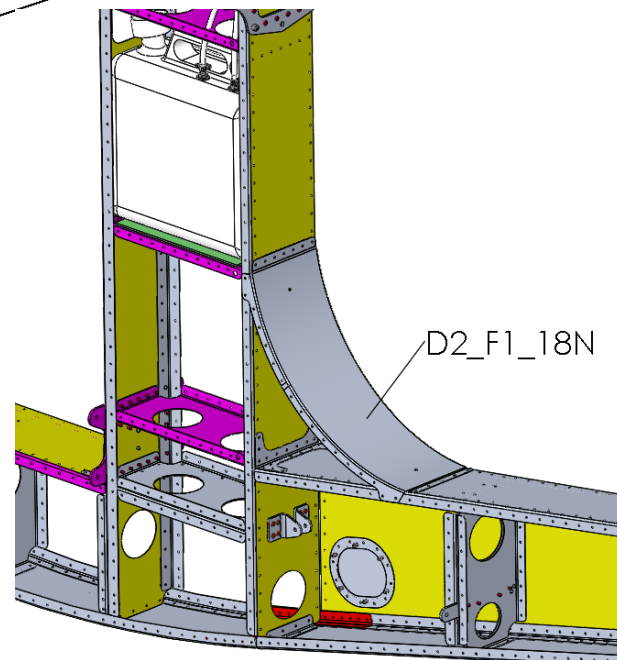
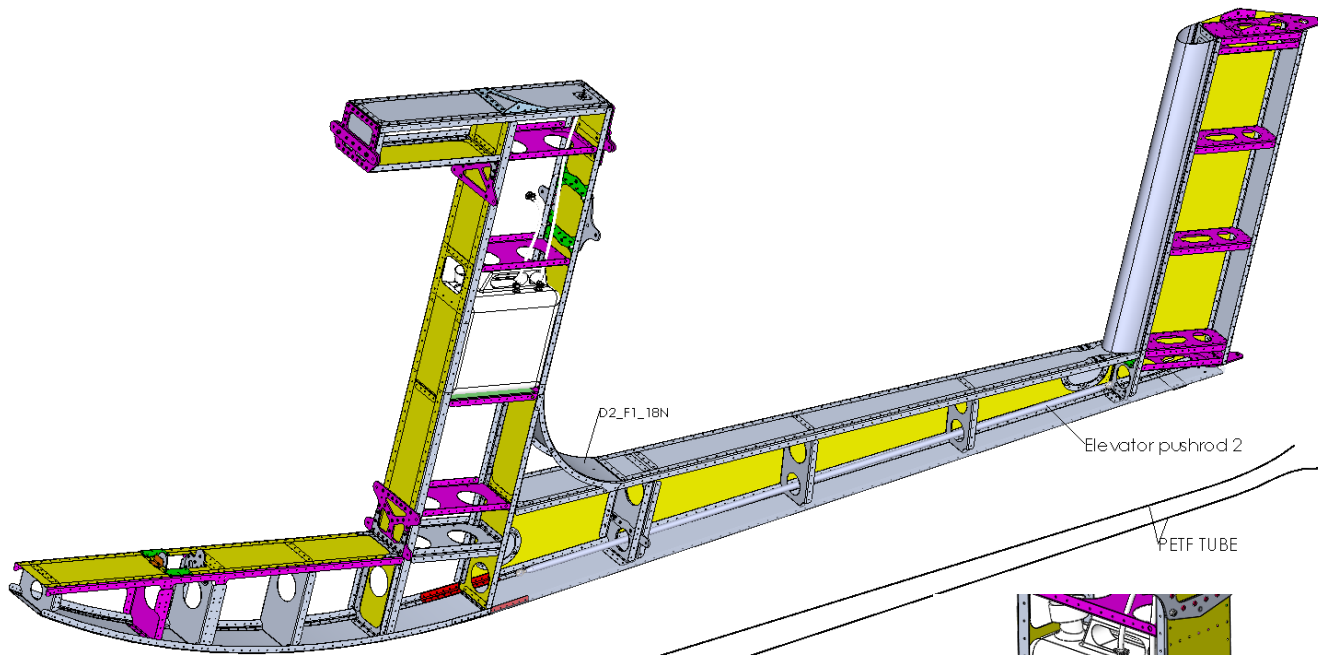
Step 6



Title	Document no.	Revision	Page	Pages
Fuselage assembly manual	D2_F0_00	Rev. 05	229	406



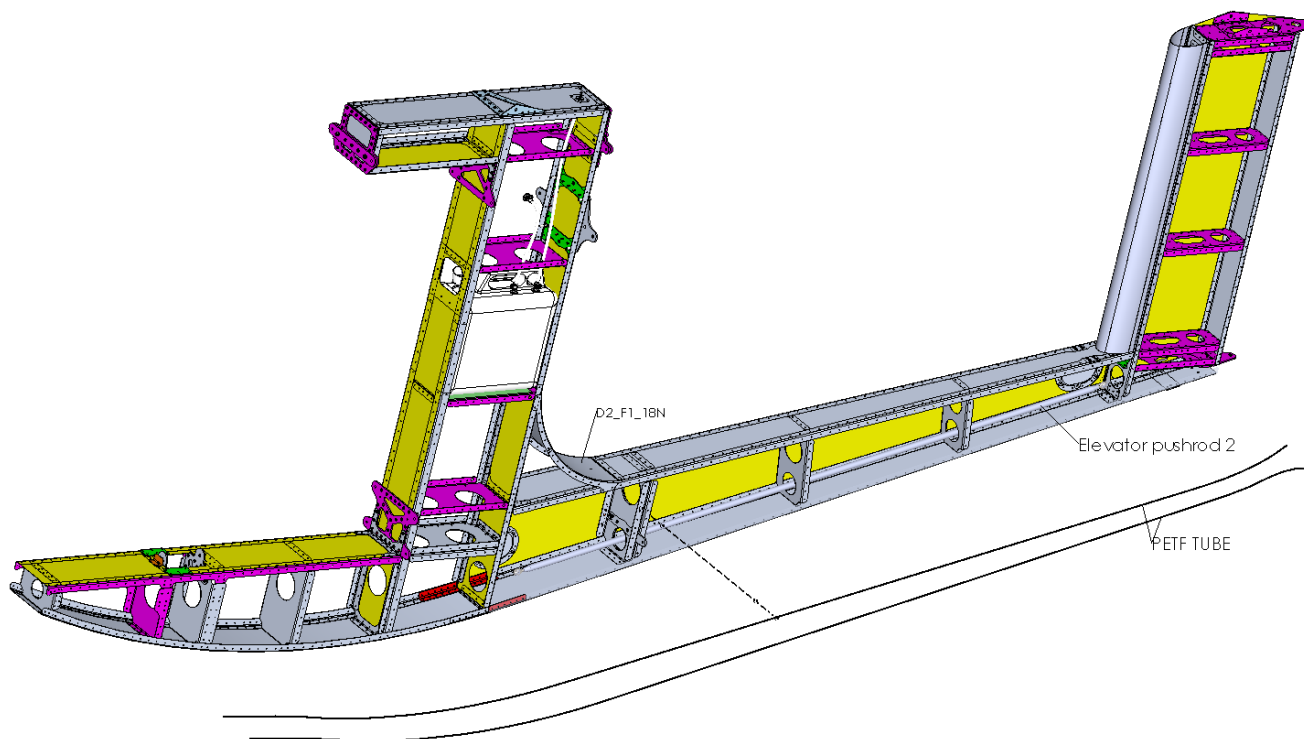
Step 7



Title	Document no.	Revision	Page	Pages
Fuselage assembly manual	D2_F0_00	Rev. 05	230	406



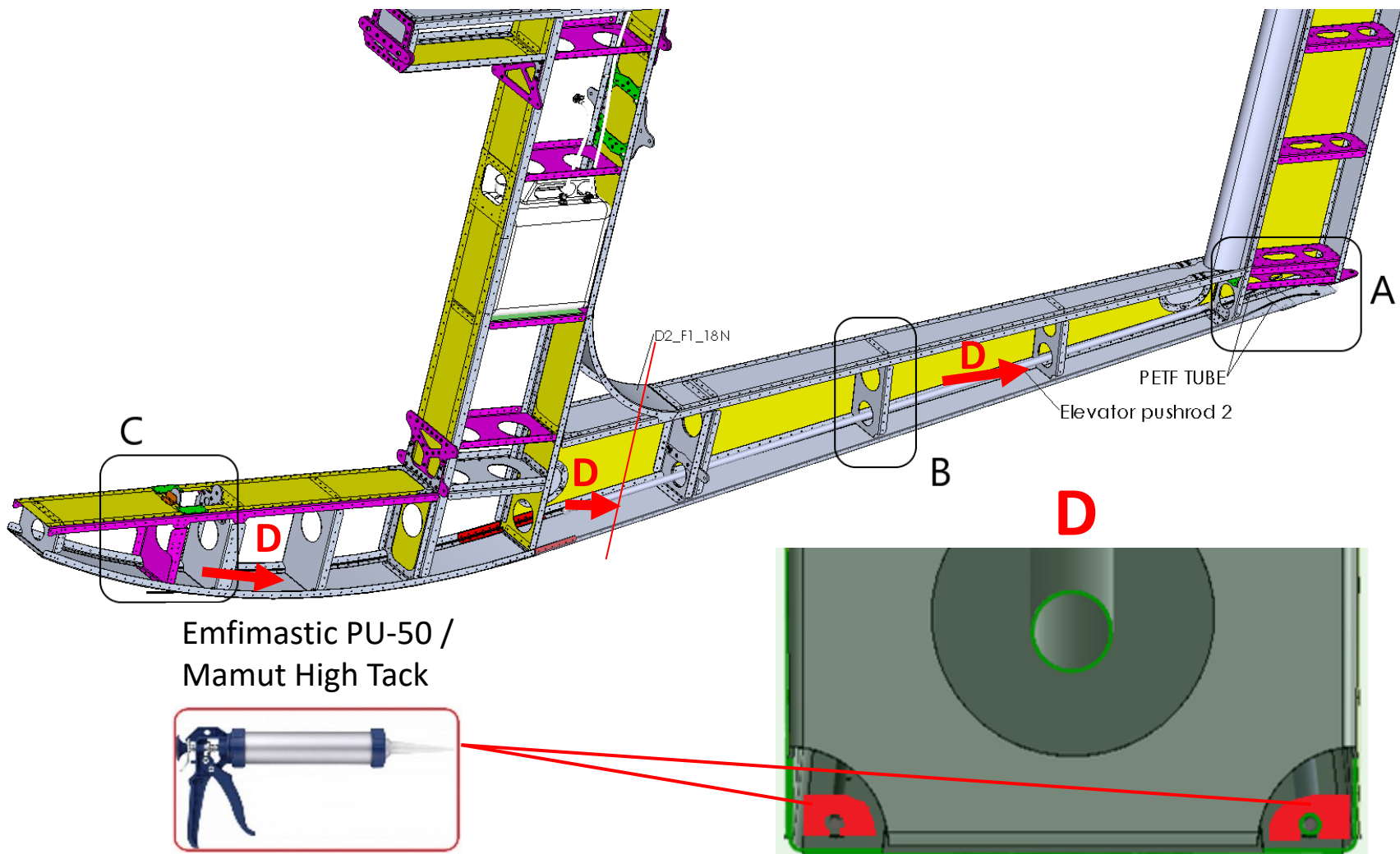
Step 8



Title	Document no.	Revision	Page	Pages
Fuselage assembly manual	D2_F0_00	Rev. 05	231	406



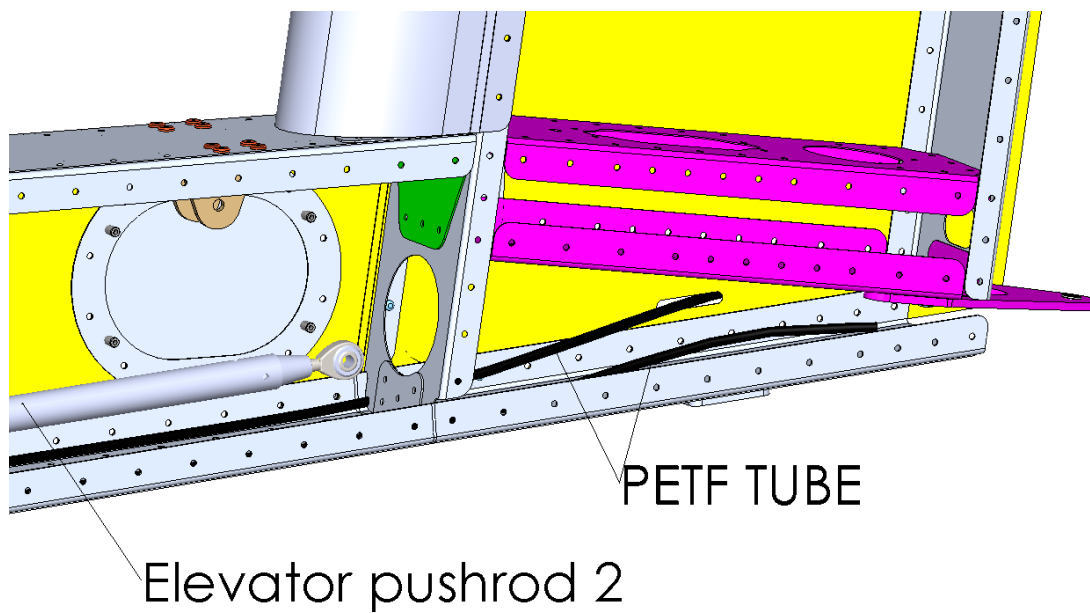
Step 9



Title	Document no.	Revision	Page	Pages
Fuselage assembly manual	D2_F0_00	Rev. 05	232	406



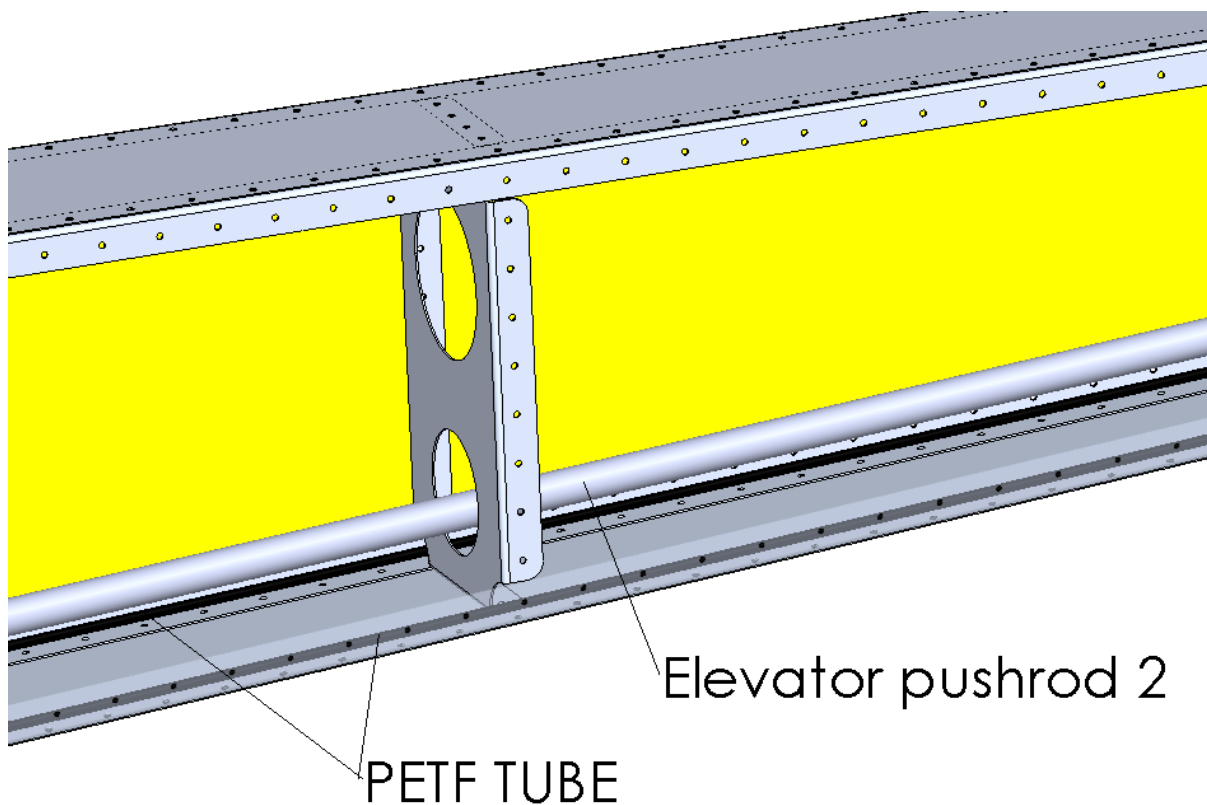
Step 9A



Title	Document no.	Revision	Page	Pages
Fuselage assembly manual	D2_F0_00	Rev. 05	233	406



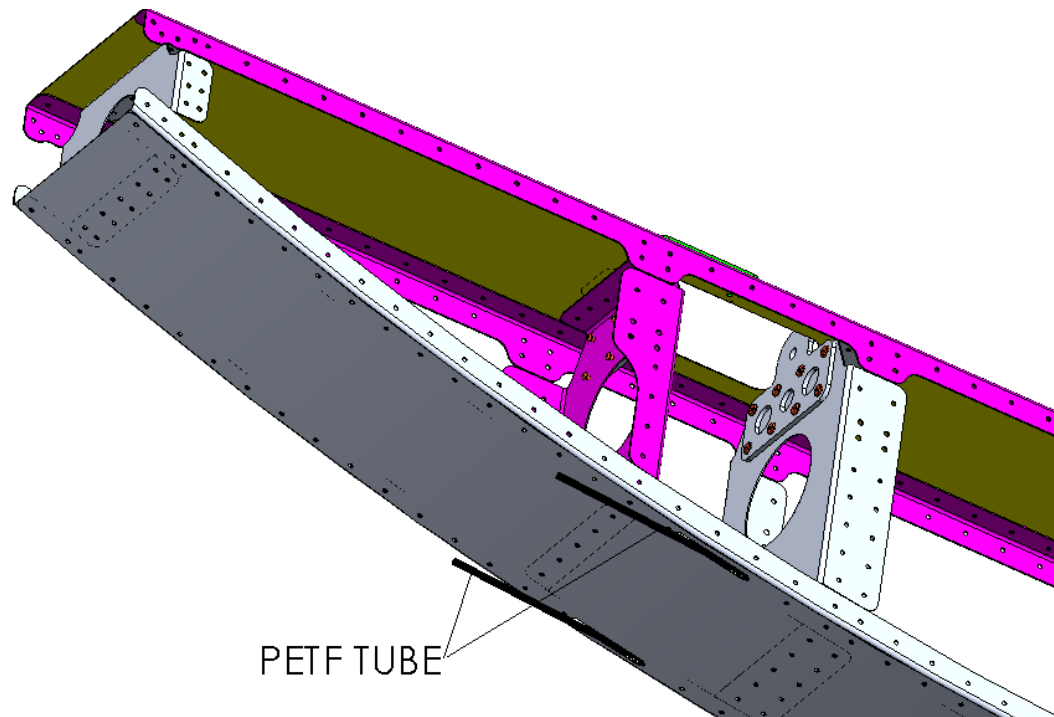
Step 9B



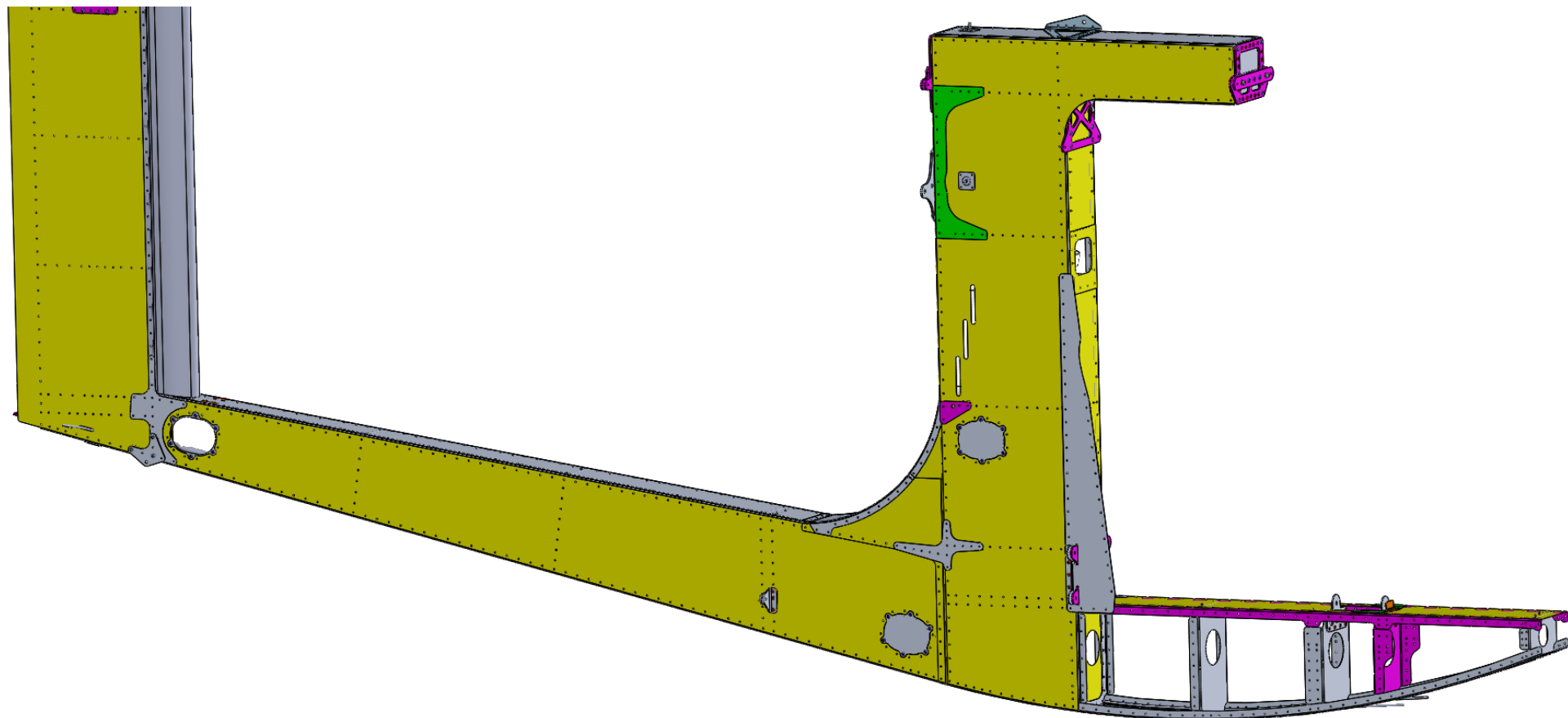
Title	Document no.	Revision	Page	Pages
Fuselage assembly manual	D2_F0_00	Rev. 05	234	406



Step 9C



Title	Document no.	Revision	Page	Pages
Fuselage assembly manual	D2_F0_00	Rev. 05	235	406

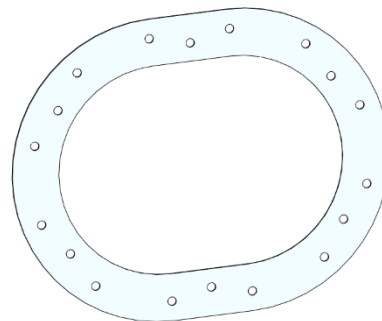


Title	Document no.	Revision	Page	Pages
Fuselage assembly manual	D2_F0_00	Rev. 05	236	406



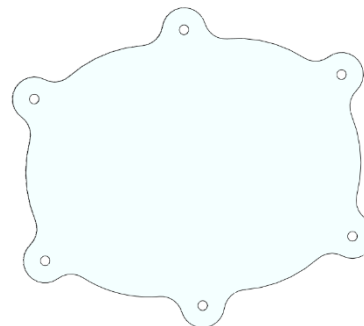
Detail: D2_F1_14N

Quantity: 1



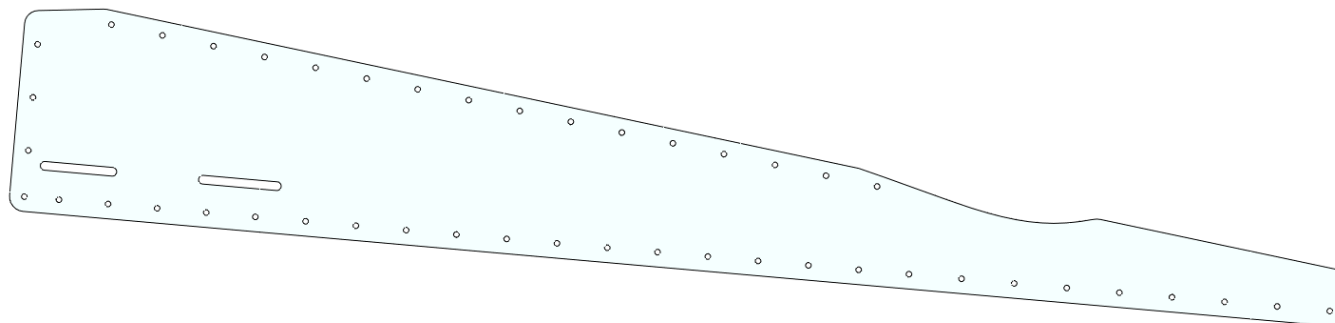
Detail: D2_F1_15N

Quantity: 1



Detail: D2_F1_22N

Quantity: 1

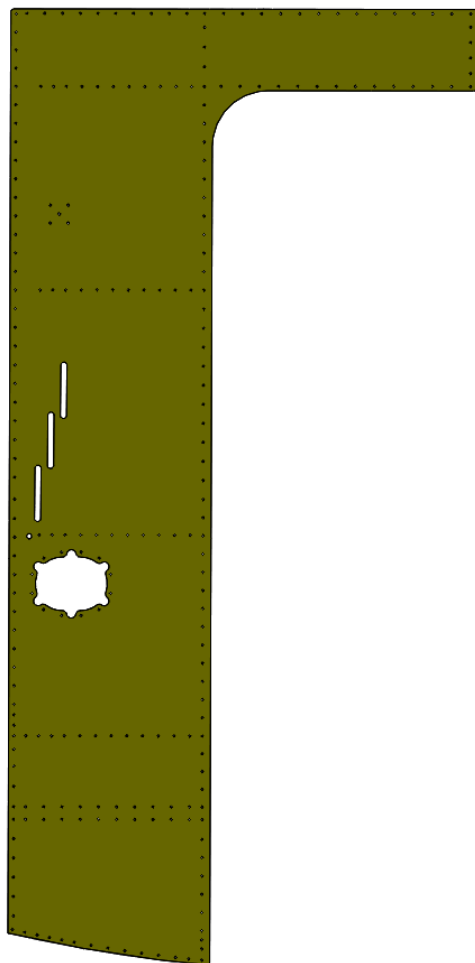


Title	Document no.	Revision	Page	Pages
Fuselage assembly manual	D2_F0_00	Rev. 05	237	406



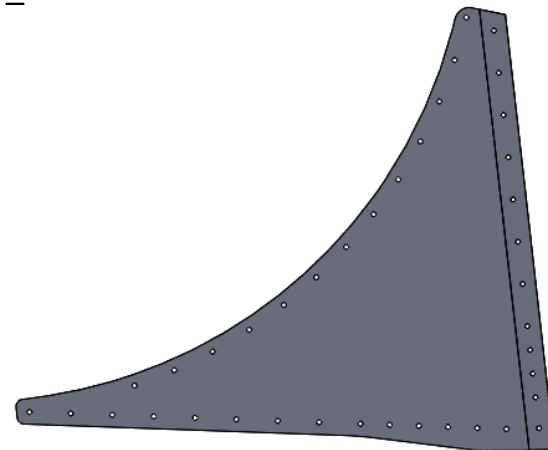
Detail: D2_F1_32N

Quantity: 1



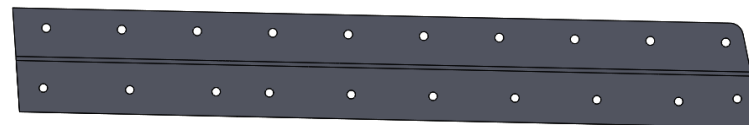
Detail: D2_F4_41P

Quantity: 1



Detail: D2_F4_42P

Quantity: 1

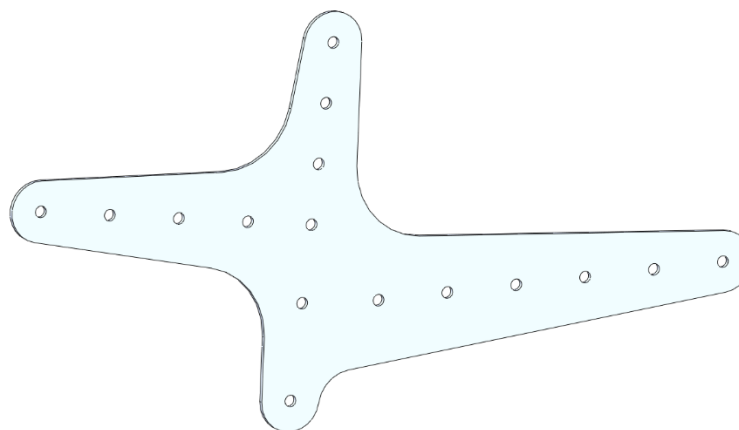


Title	Document no.	Revision	Page	Pages
Fuselage assembly manual	D2_F0_00	Rev. 05	238	406



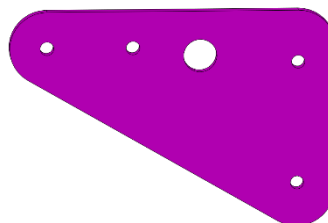
Detail: D2_F3_19N

Quantity: 1



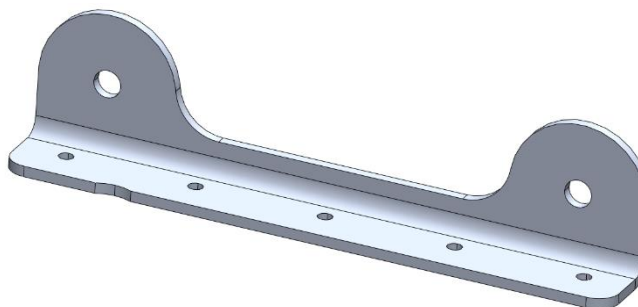
Detail: D2_F4_11N

Quantity: 1



Detail: D2_F4_12P

Quantity: 1

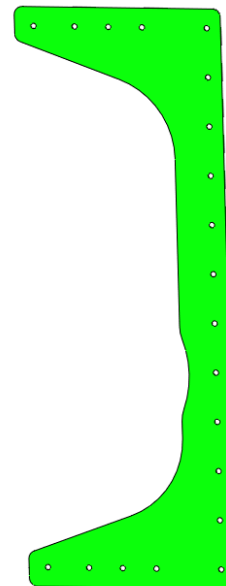


Title	Document no.	Revision	Page	Pages
Fuselage assembly manual	D2_F0_00	Rev. 05	239	406



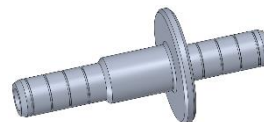
Detail: D2_F4_31N

Quantity: 1



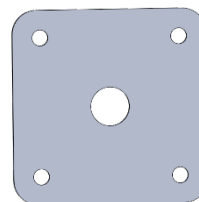
Detail: D2_F5_02N

Quantity: 1



Detail: D2_F5_03N

Quantity: 1



Title	Document no.	Revision	Page	Pages
Fuselage assembly manual	D2_F0_00	Rev. 05	240	406



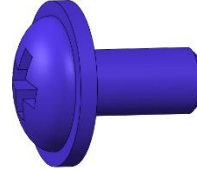
Detail: RivNut M3 cs

Quantity: 6



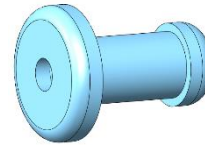
Detail: BOLT DIN 967 M3x6

Quantity: 6



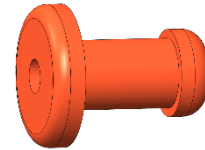
Detail: Rivet INOX 4 x12

Quantity: 2



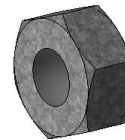
Detail: Rivet Al 4 x 9.5

Quantity: 3



Detail: Nut DIN 934 M8

Quantity: 1



Detail: Washer DIN 9021 M8

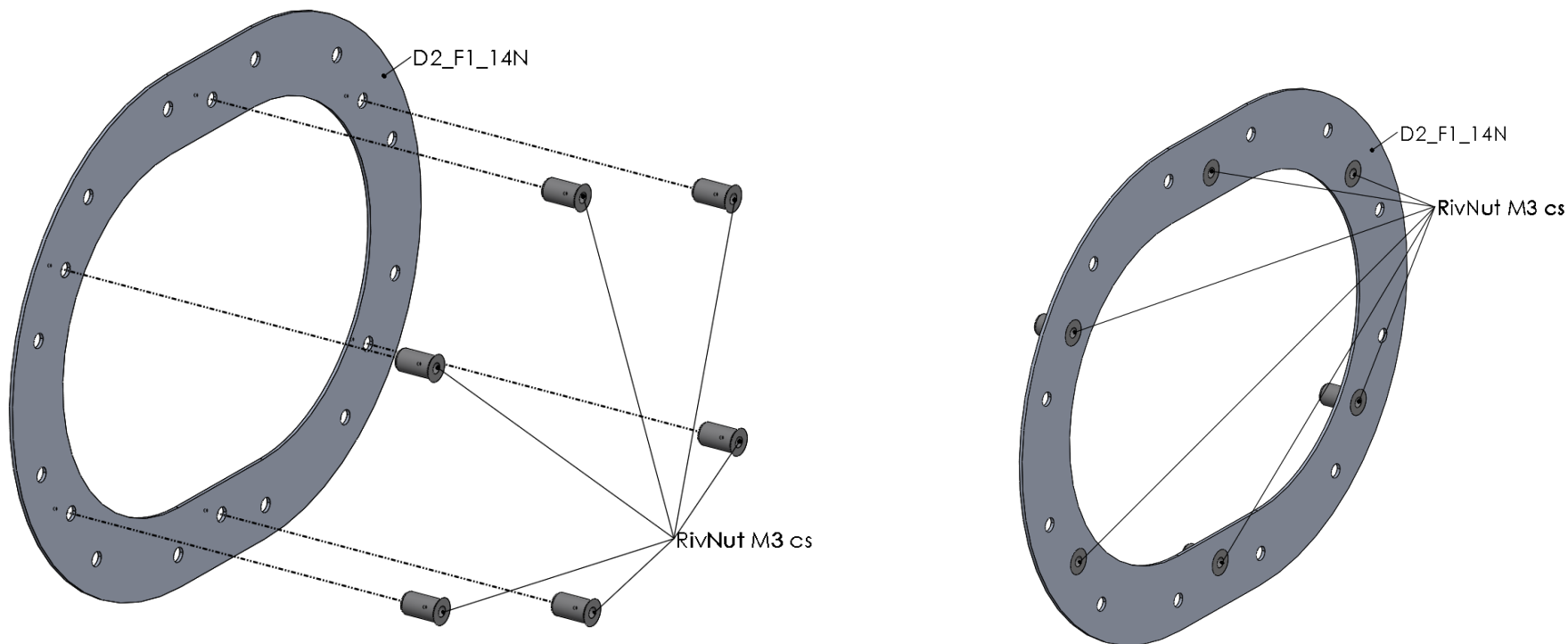
Quantity: 1



Title	Document no.	Revision	Page	Pages
Fuselage assembly manual	D2_F0_00	Rev. 05	241	406



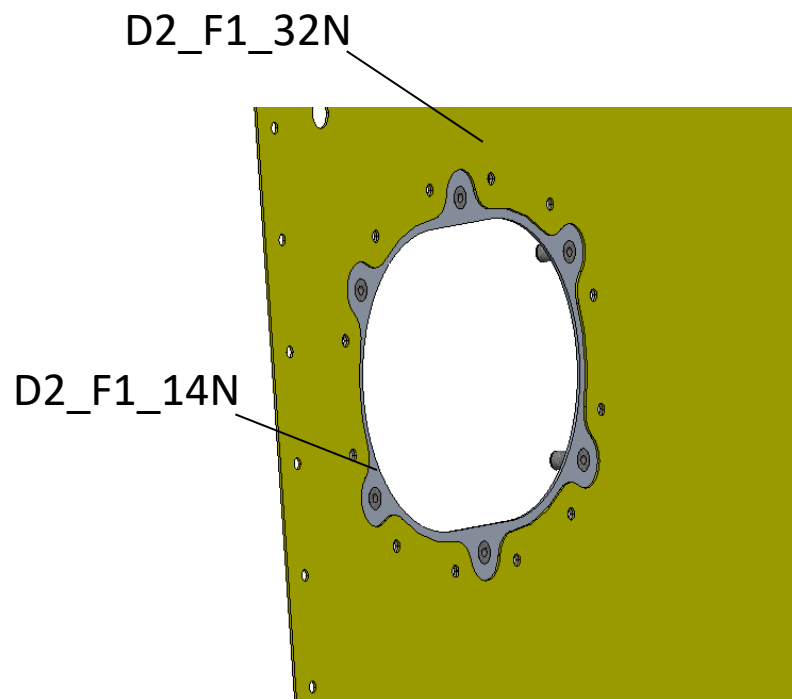
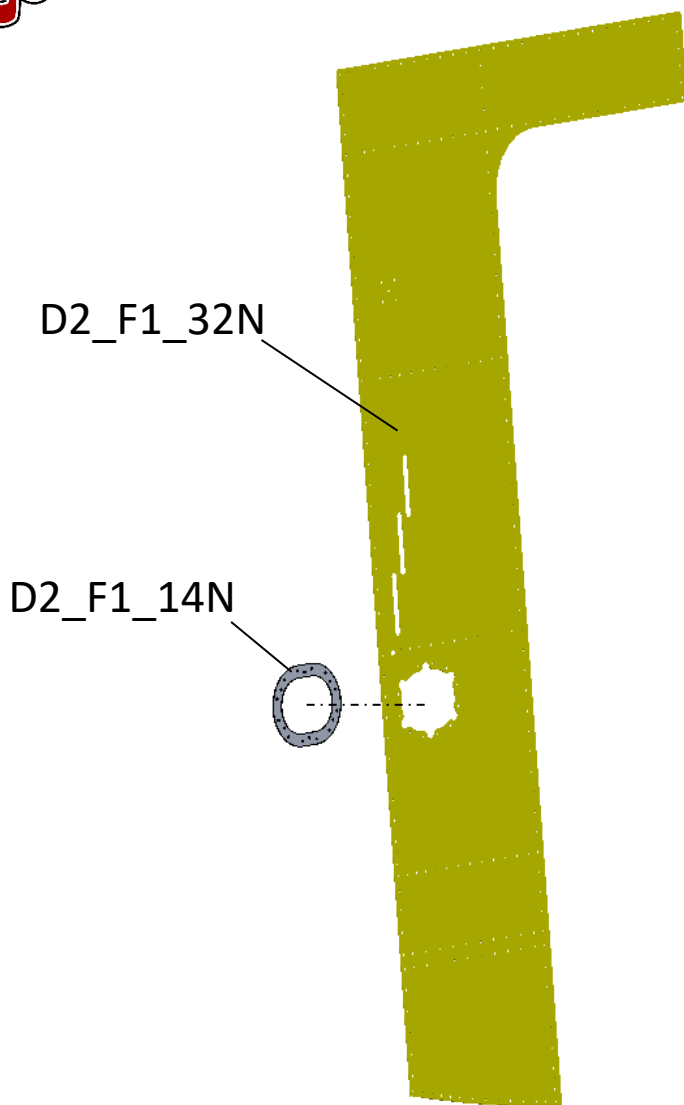
Step 1



Title	Document no.	Revision	Page	Pages
Fuselage assembly manual	D2_F0_00	Rev. 05	242	406



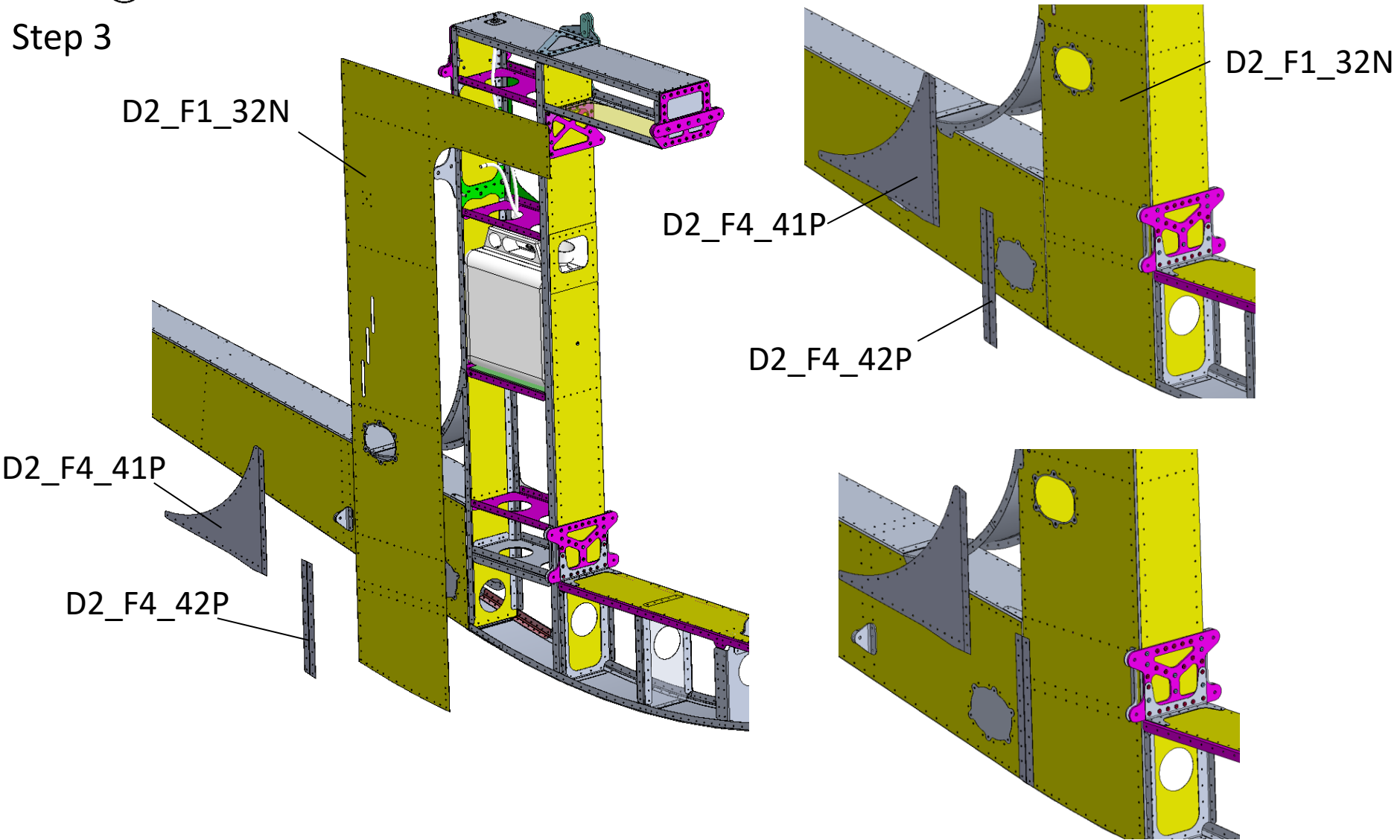
Step 2



Title	Document no.	Revision	Page	Pages
Fuselage assembly manual	D2_F0_00	Rev. 05	243	406



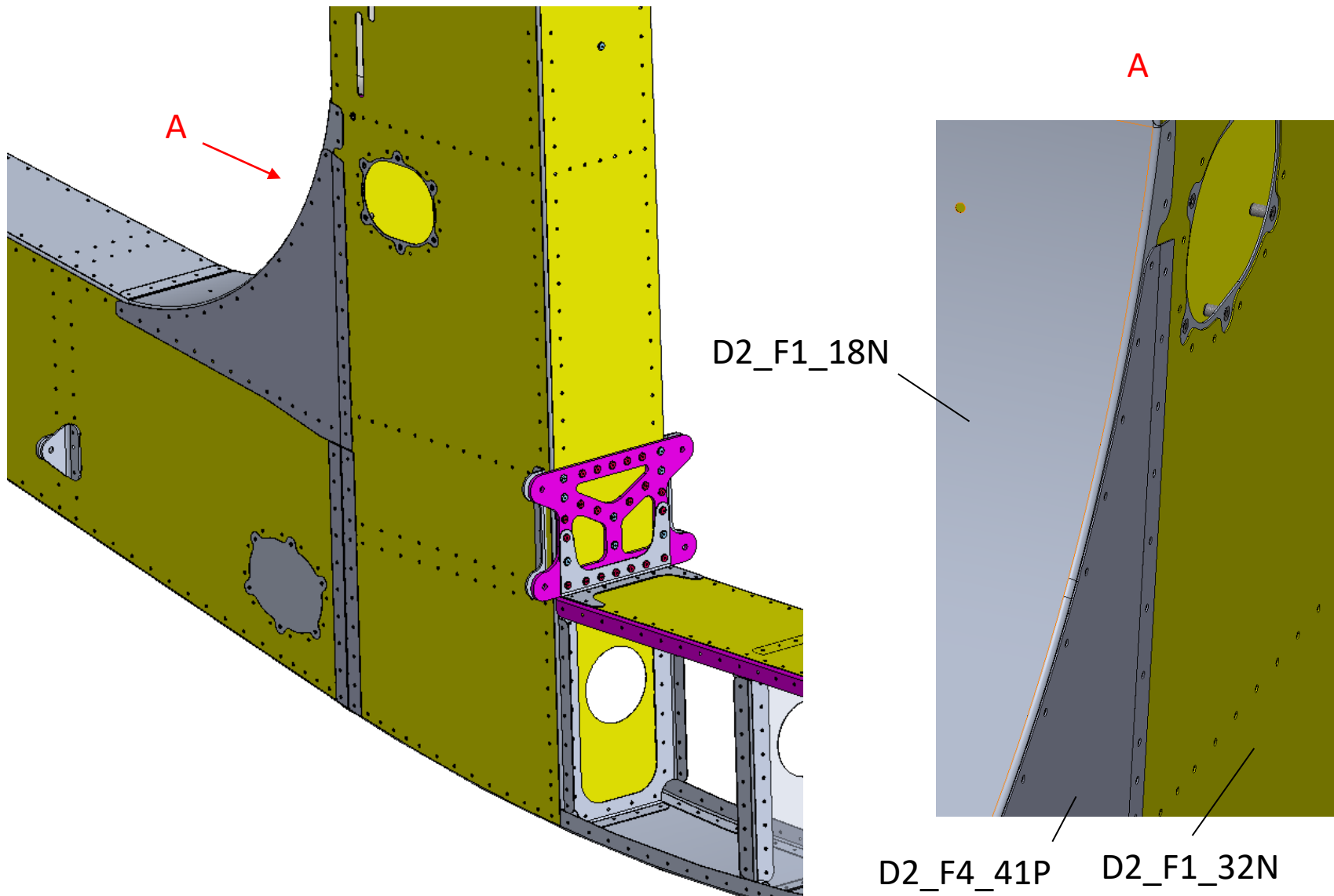
Step 3



Title	Document no.	Revision	Page	Pages
Fuselage assembly manual	D2_F0_00	Rev. 05	244	406



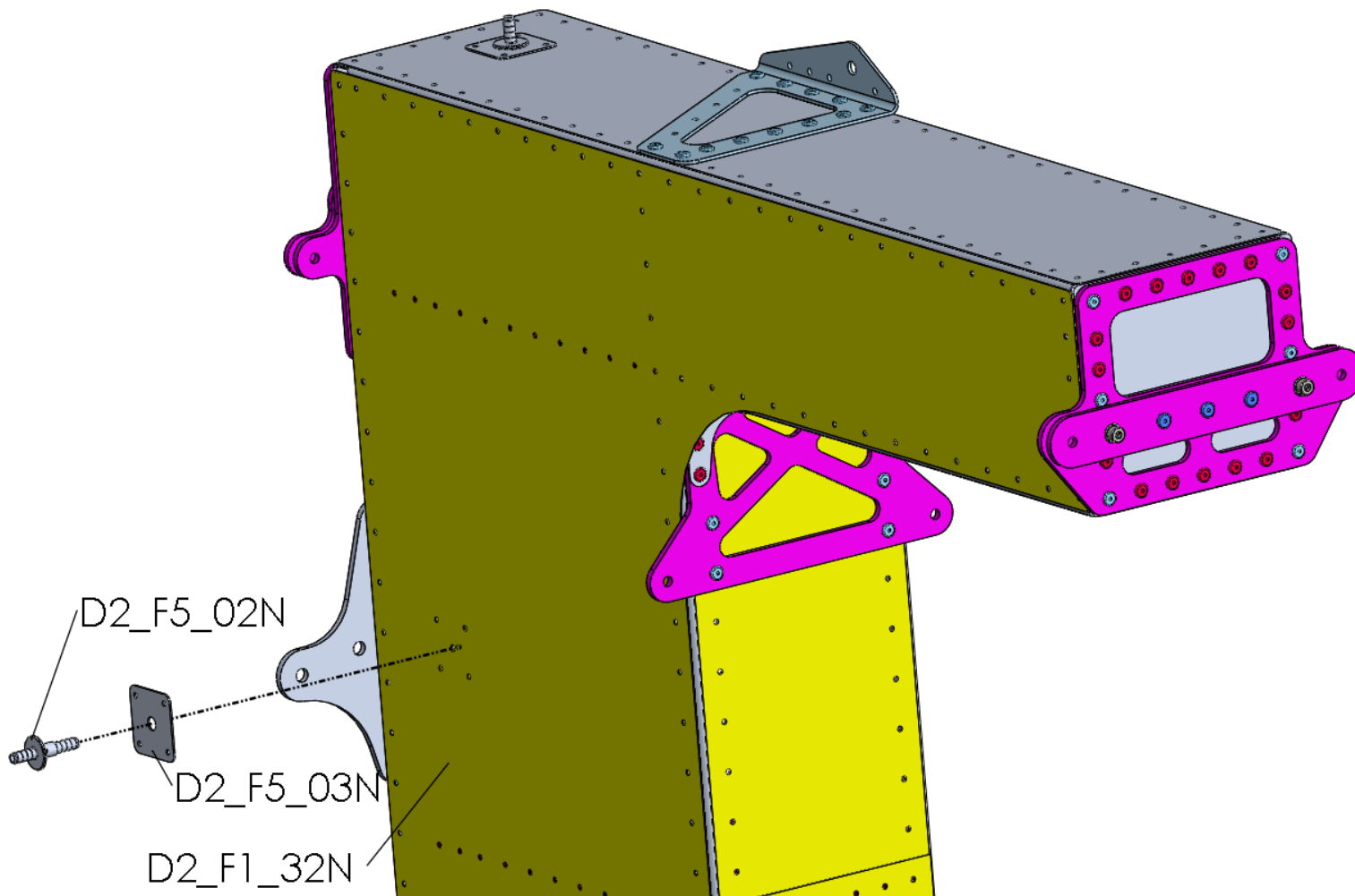
Step 4



Title	Document no.	Revision	Page	Pages
Fuselage assembly manual	D2_F0_00	Rev. 05	245	406



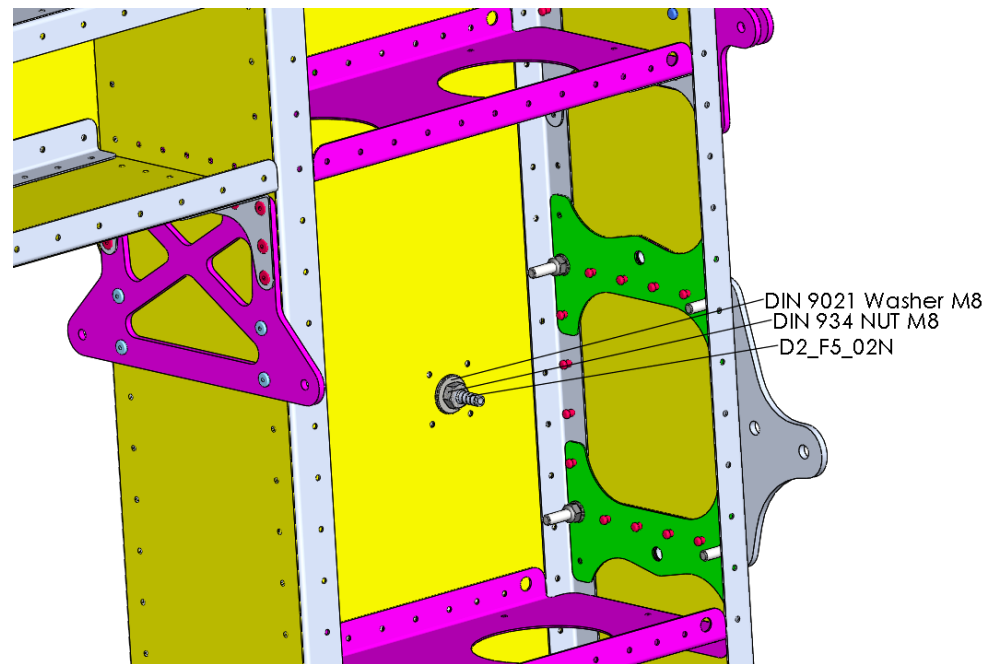
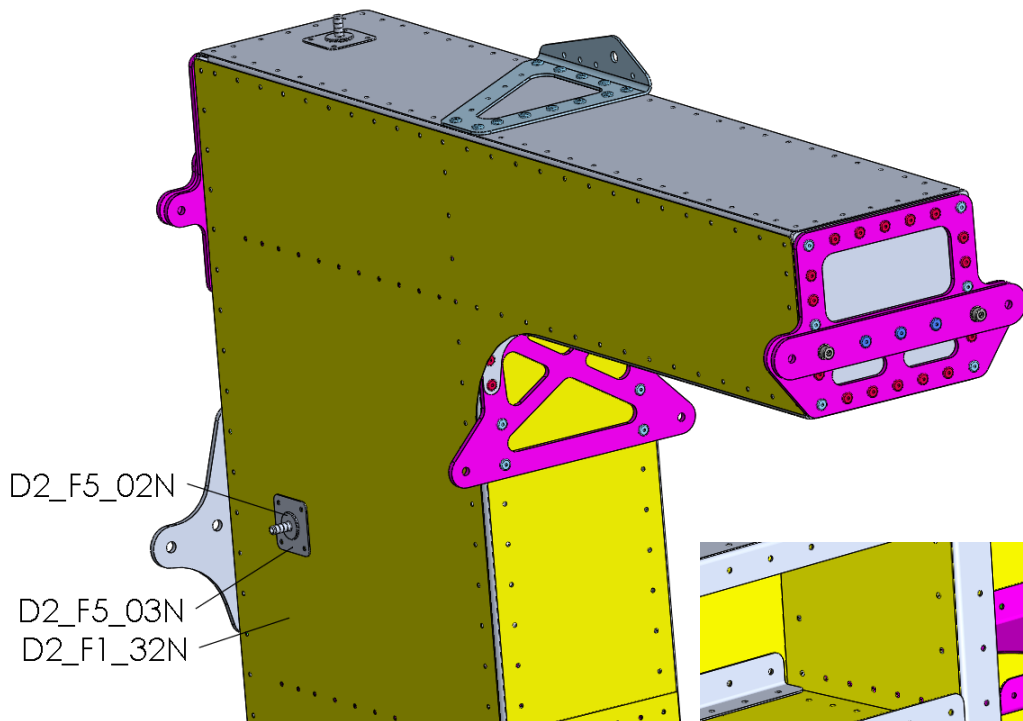
Step 5



Title	Document no.	Revision	Page	Pages
Fuselage assembly manual	D2_F0_00	Rev. 05	246	406



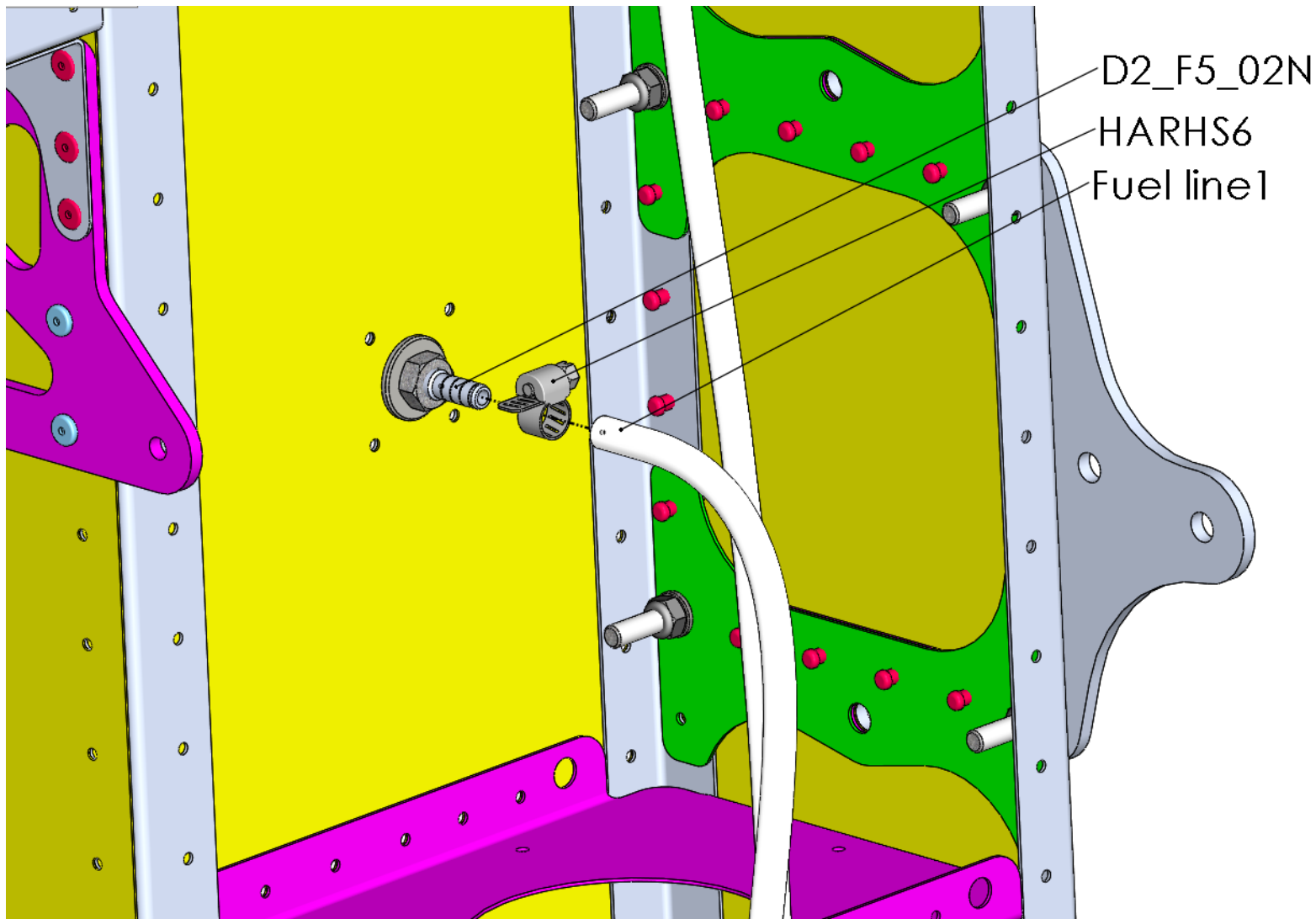
Step 6



Title	Document no.	Revision	Page	Pages
Fuselage assembly manual	D2_F0_00	Rev. 05	247	406



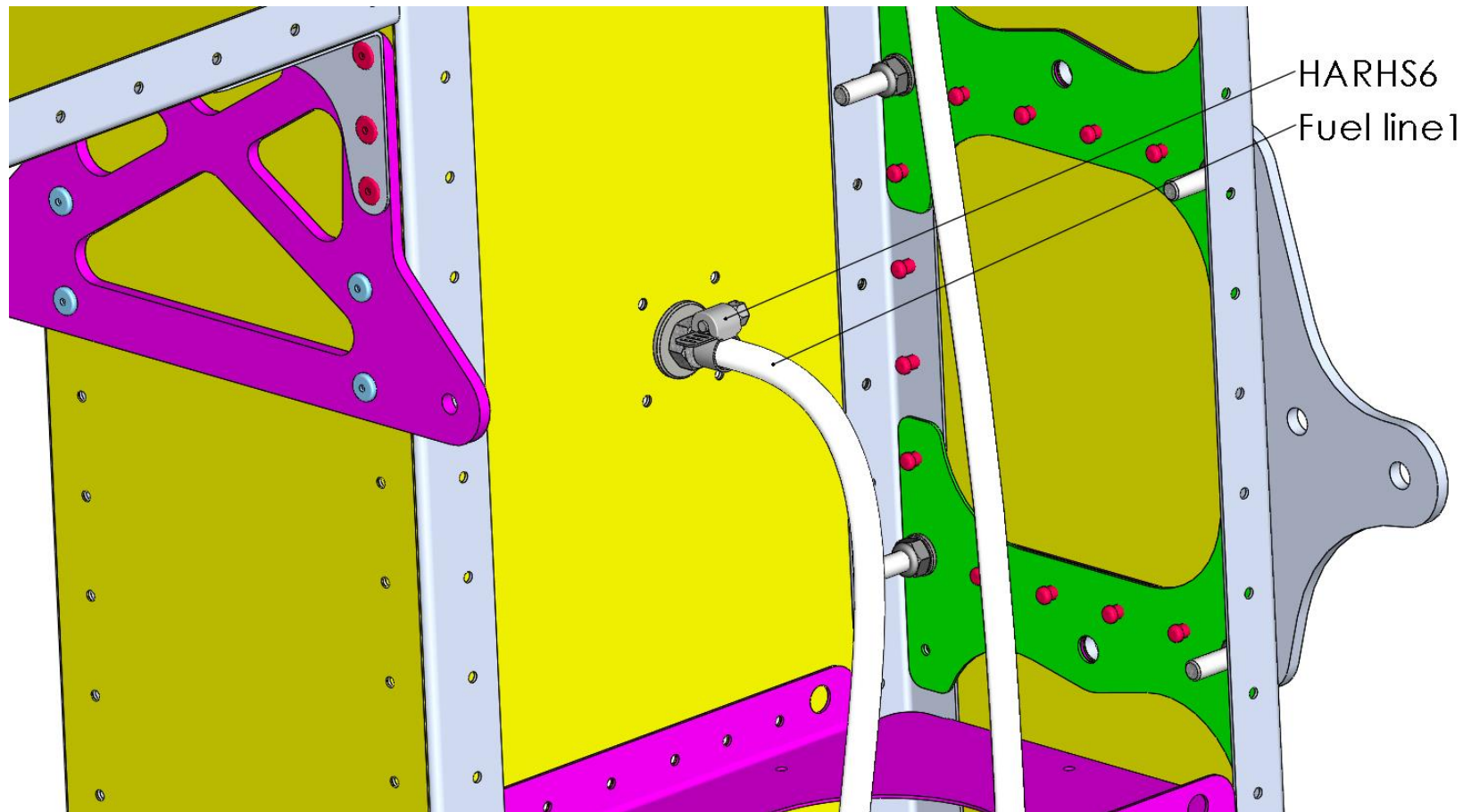
Step 7



Title	Document no.	Revision	Page	Pages
Fuselage assembly manual	D2_F0_00	Rev. 05	248	406



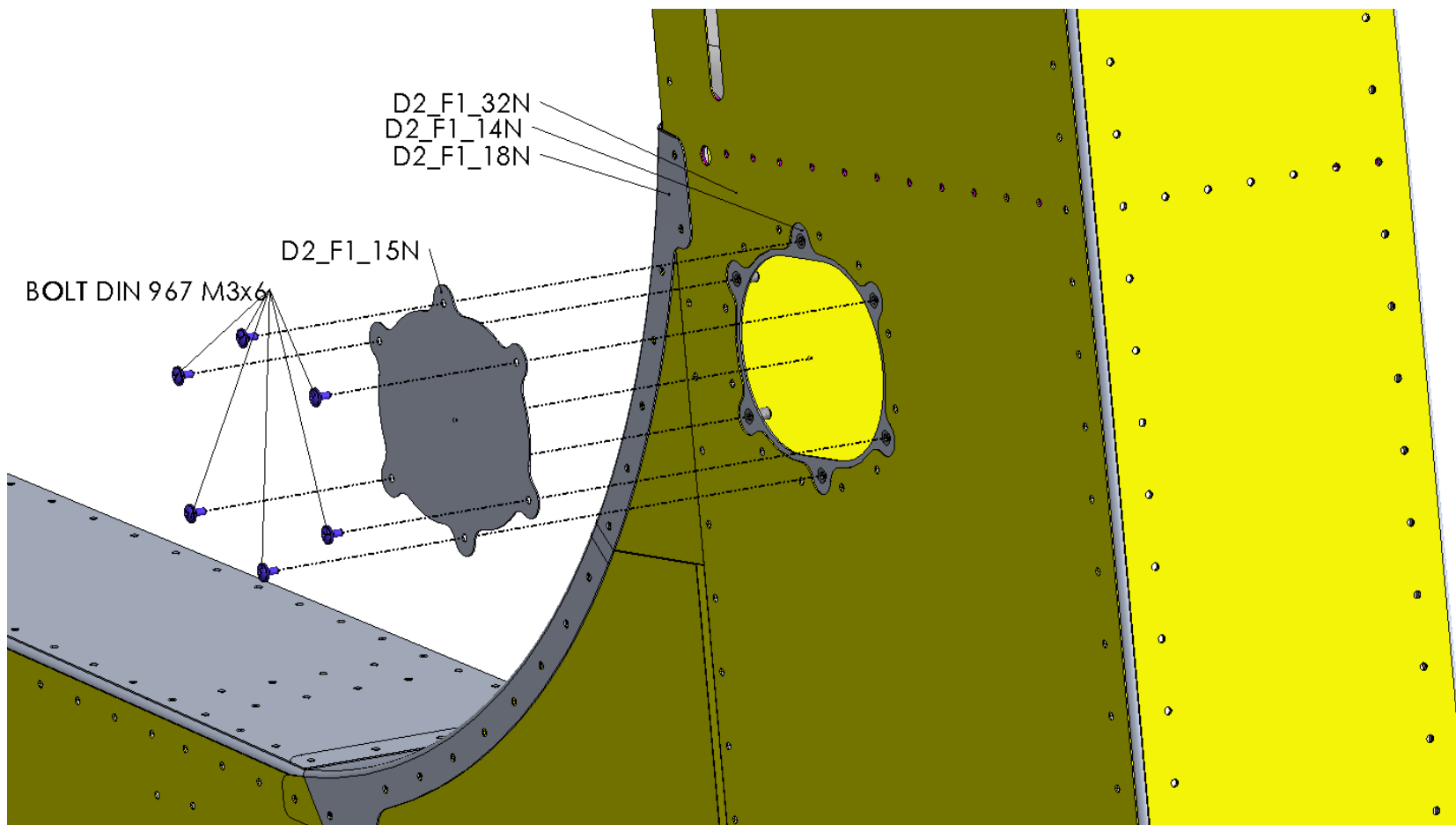
Step 8



Title	Document no.	Revision	Page	Pages
Fuselage assembly manual	D2_F0_00	Rev. 05	249	406



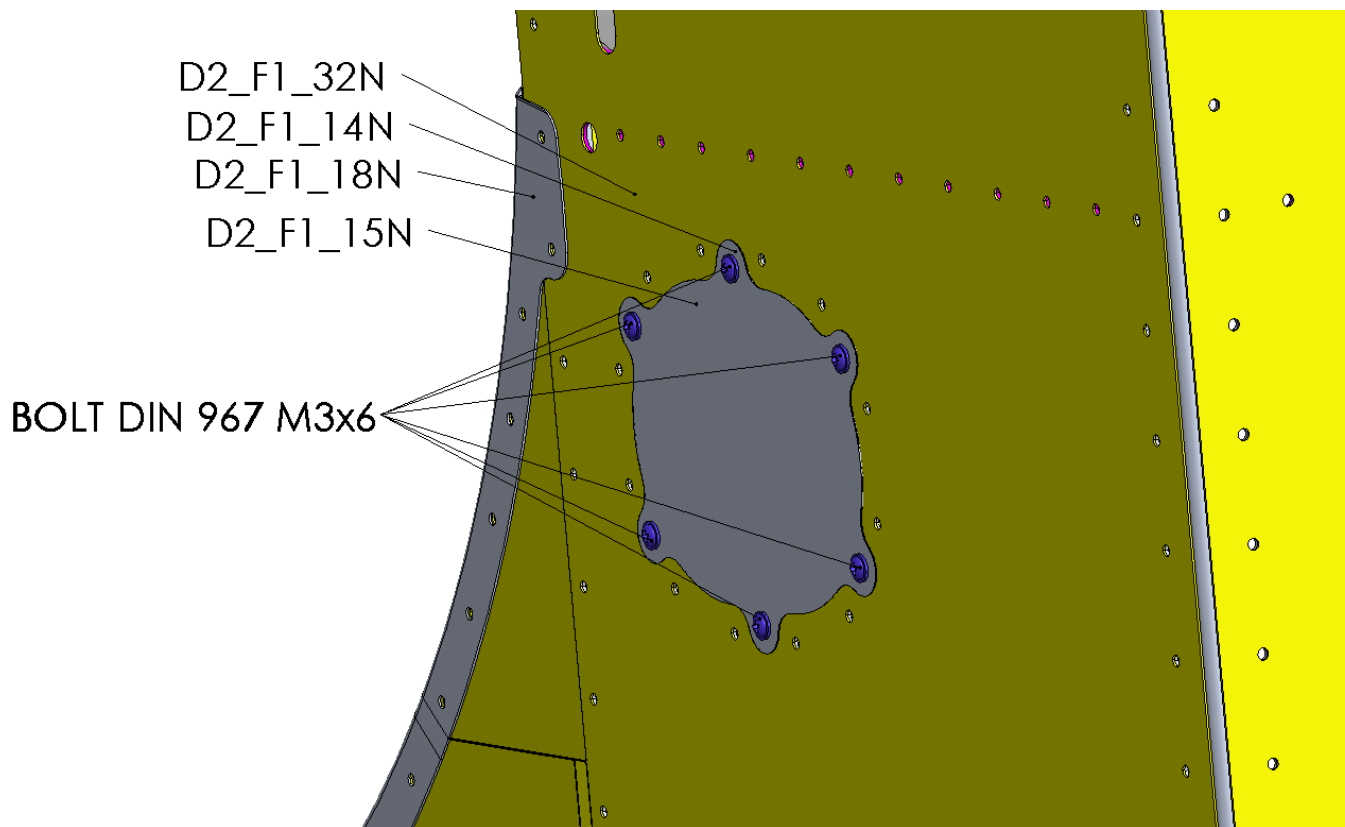
Step 9



Title	Document no.	Revision	Page	Pages
Fuselage assembly manual	D2_F0_00	Rev. 05	250	406



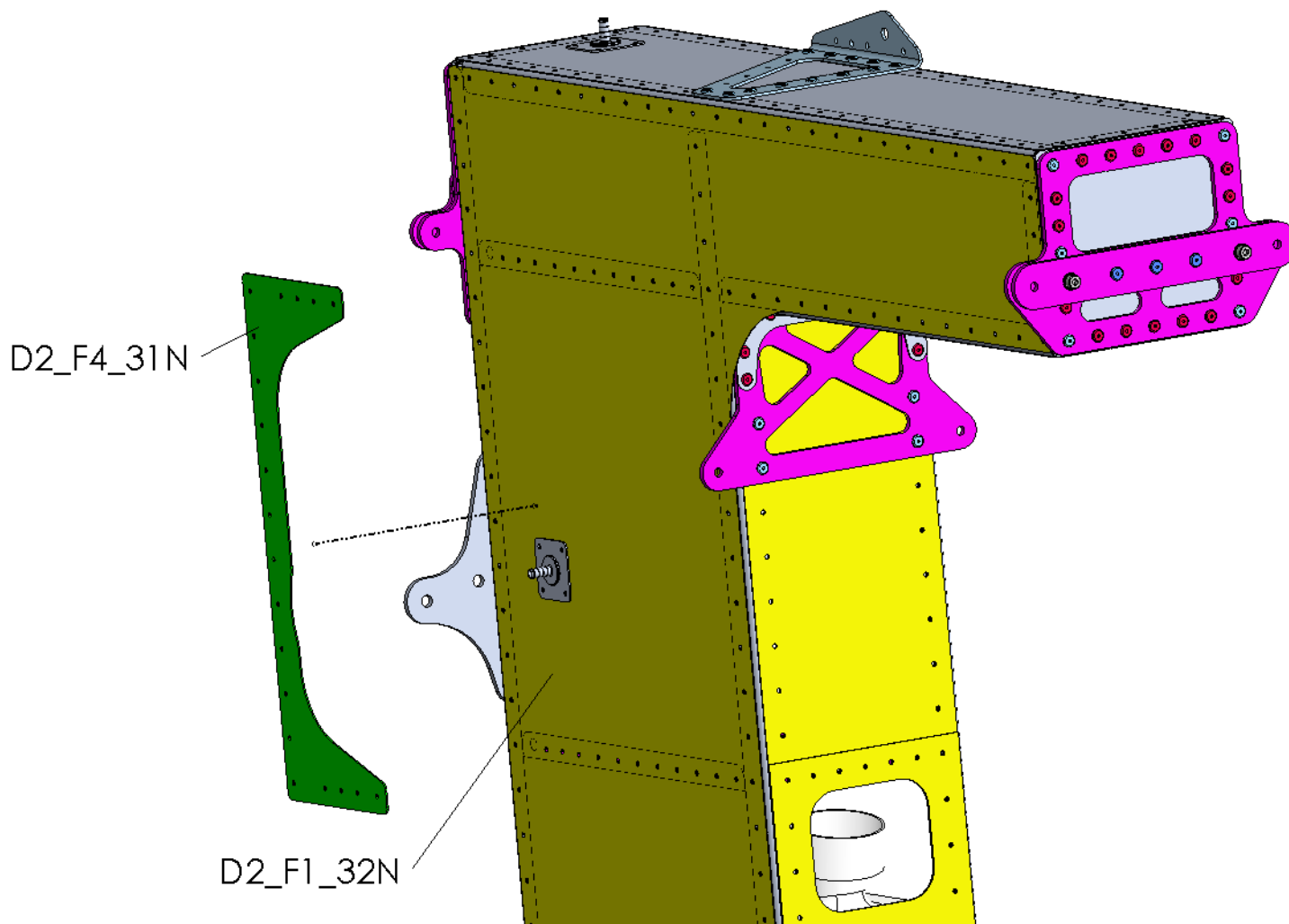
Step 10



Title	Document no.	Revision	Page	Pages
Fuselage assembly manual	D2_F0_00	Rev. 05	251	406



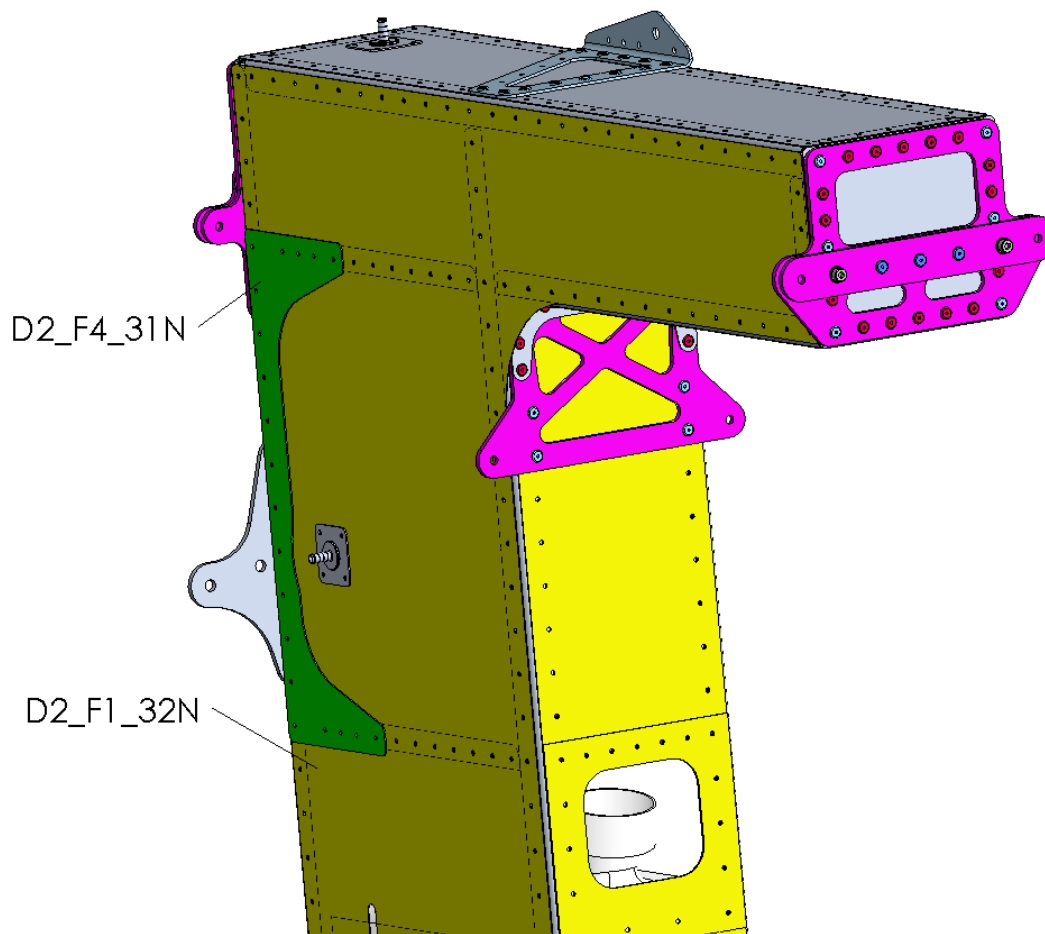
Step 11



Title	Document no.	Revision	Page	Pages
Fuselage assembly manual	D2_F0_00	Rev. 05	252	406



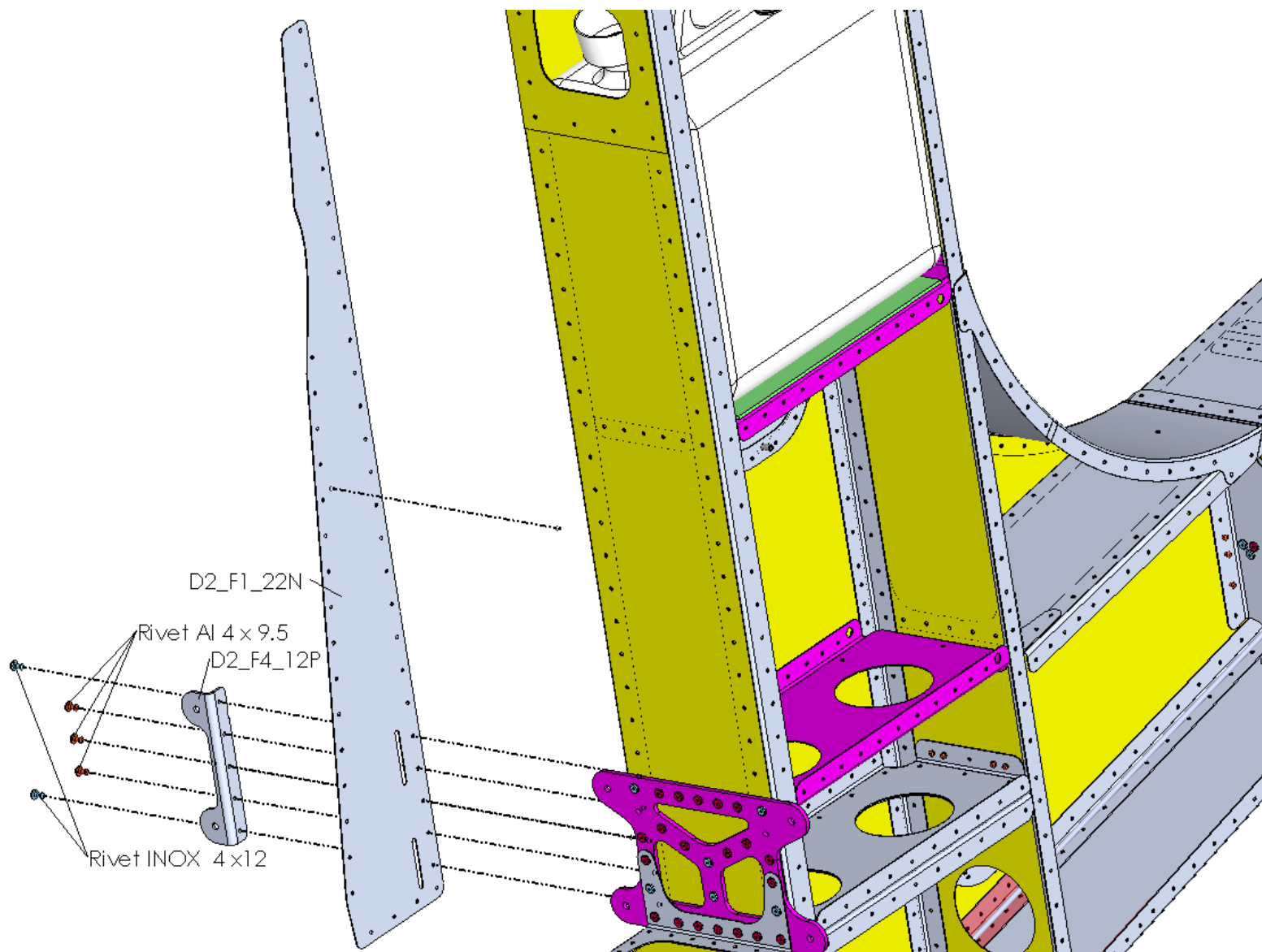
Step 12



Title	Document no.	Revision	Page	Pages
Fuselage assembly manual	D2_F0_00	Rev. 05	253	406



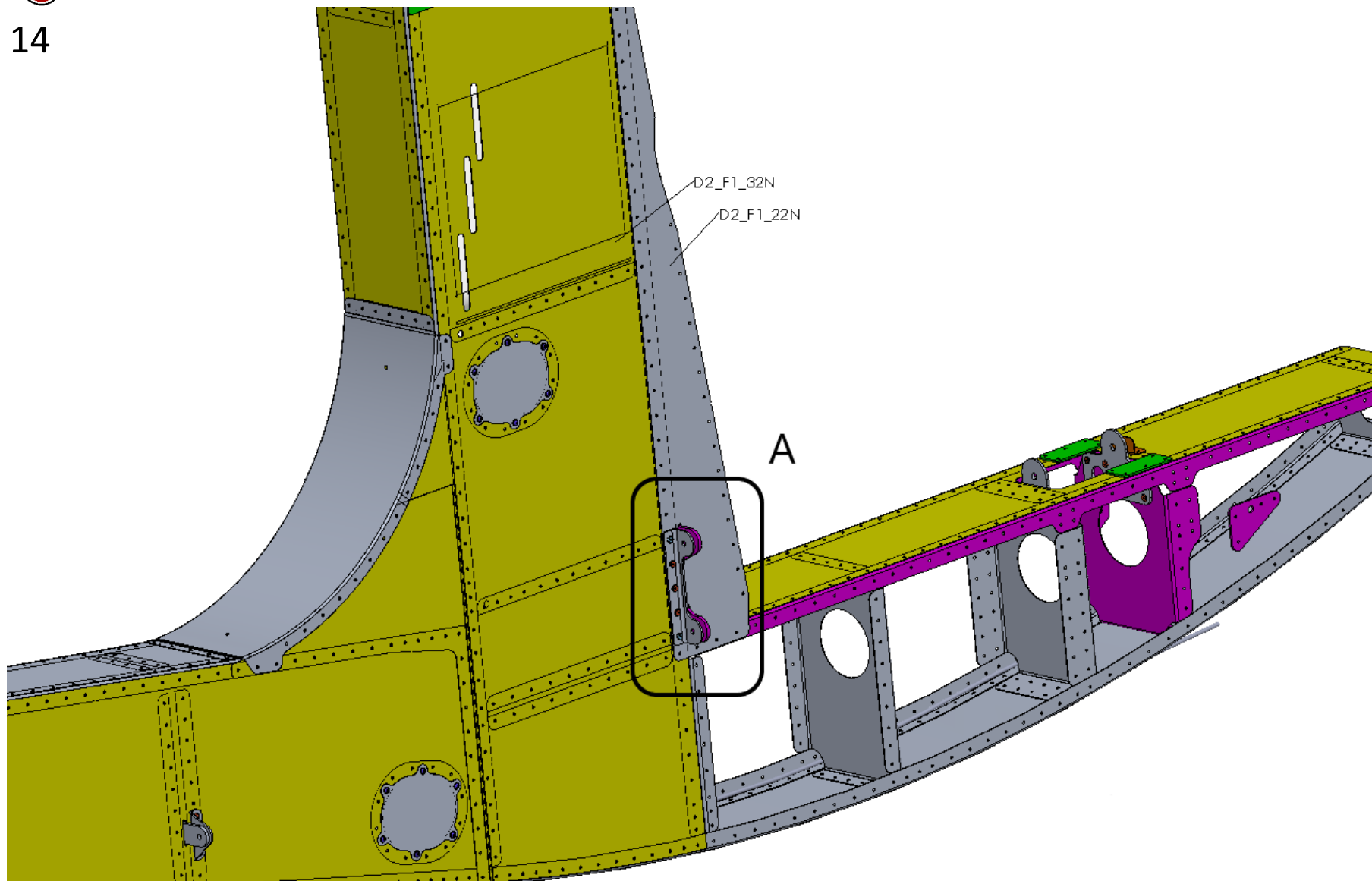
Step 13



Title	Document no.	Revision	Page	Pages
Fuselage assembly manual	D2_F0_00	Rev. 05	254	406



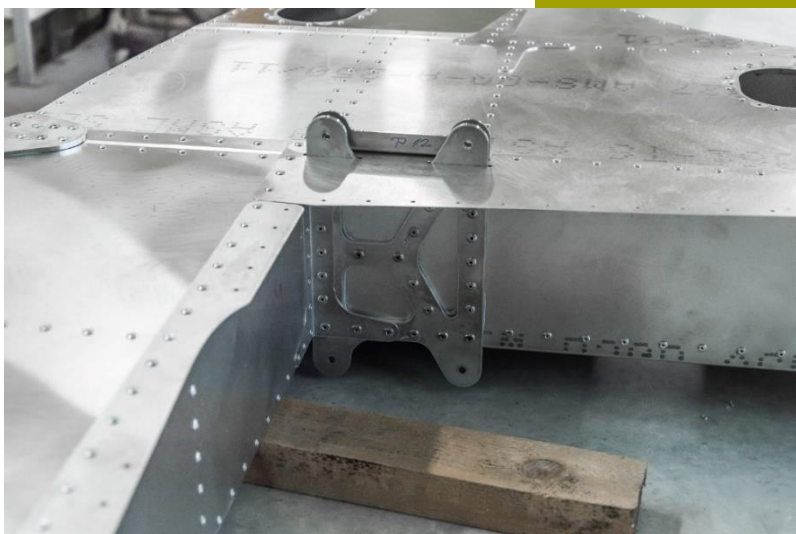
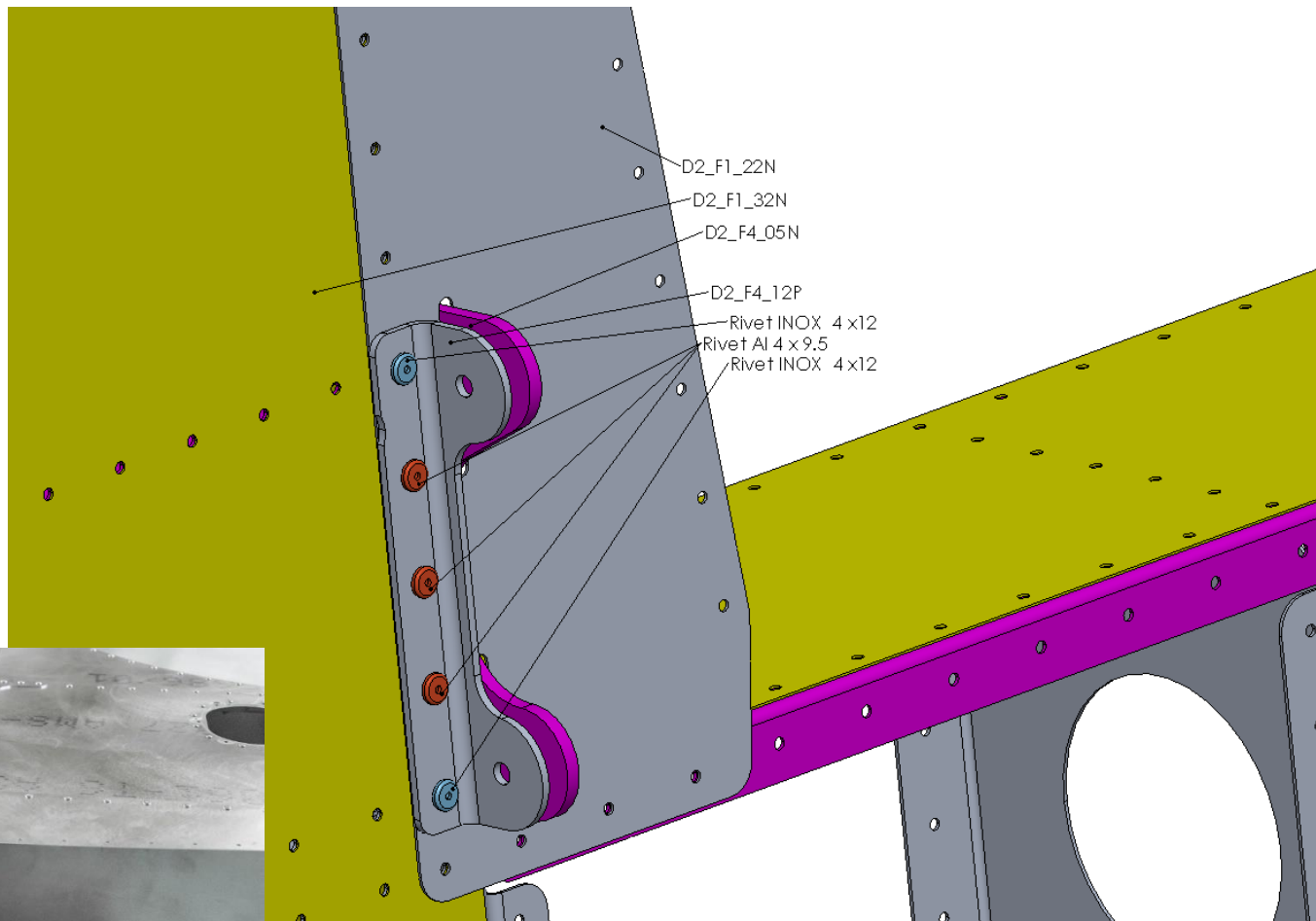
Step 14



Title	Document no.	Revision	Page	Pages
Fuselage assembly manual	D2_F0_00	Rev. 05	255	406



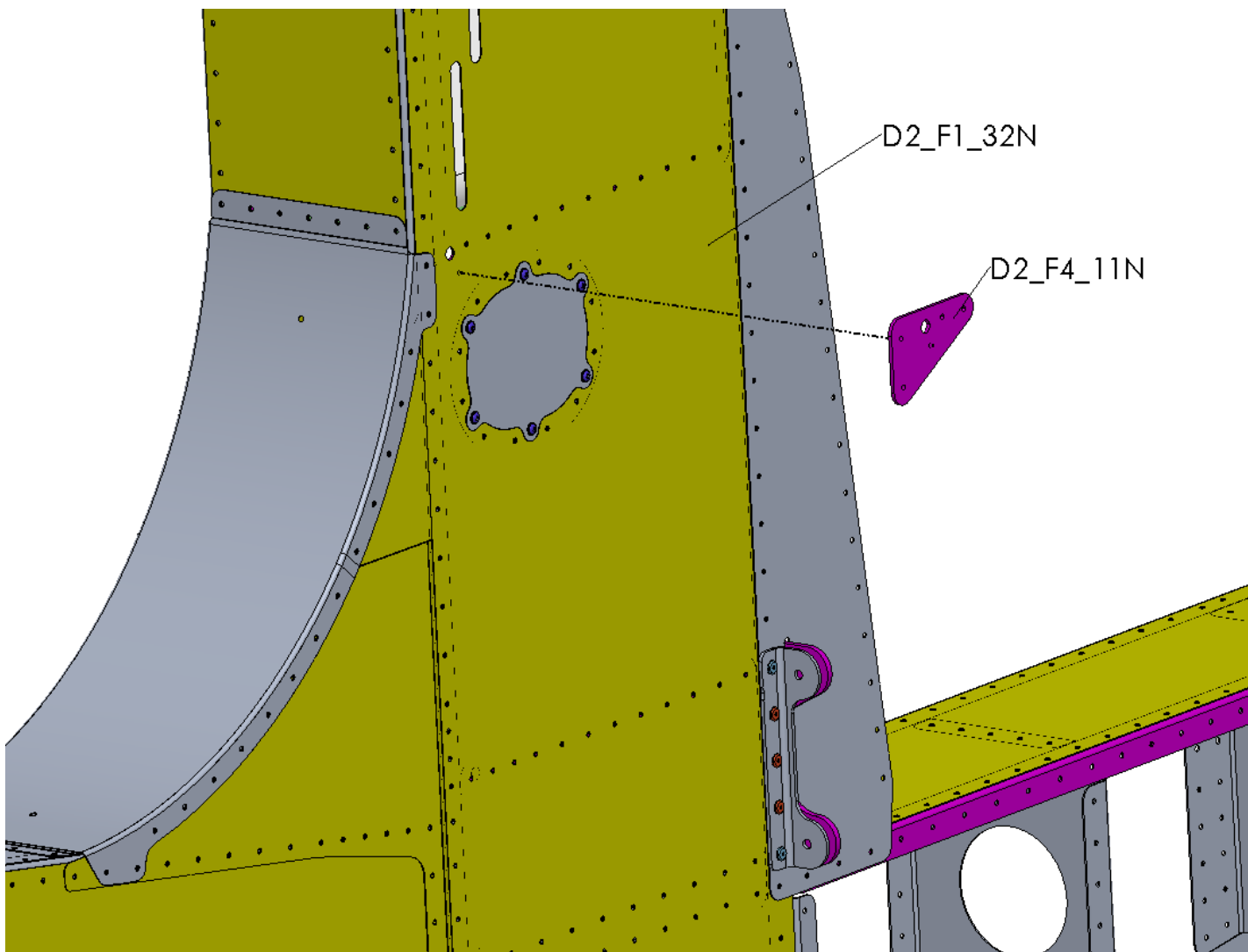
Step 14A



Title	Document no.	Revision	Page	Pages
Fuselage assembly manual	D2_F0_00	Rev. 05	256	406



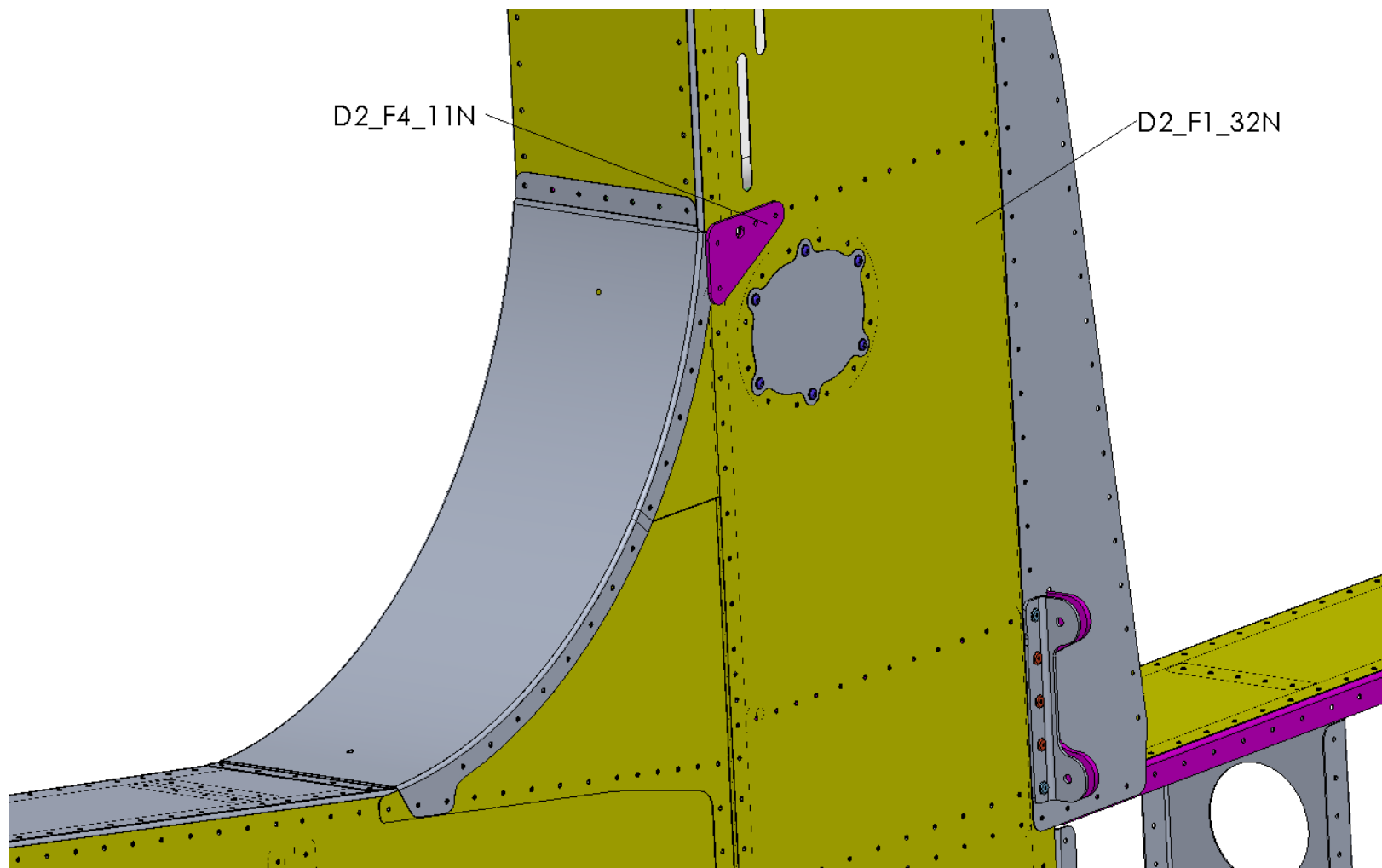
Step 15



Title	Document no.	Revision	Page	Pages
Fuselage assembly manual	D2_F0_00	Rev. 05	257	406



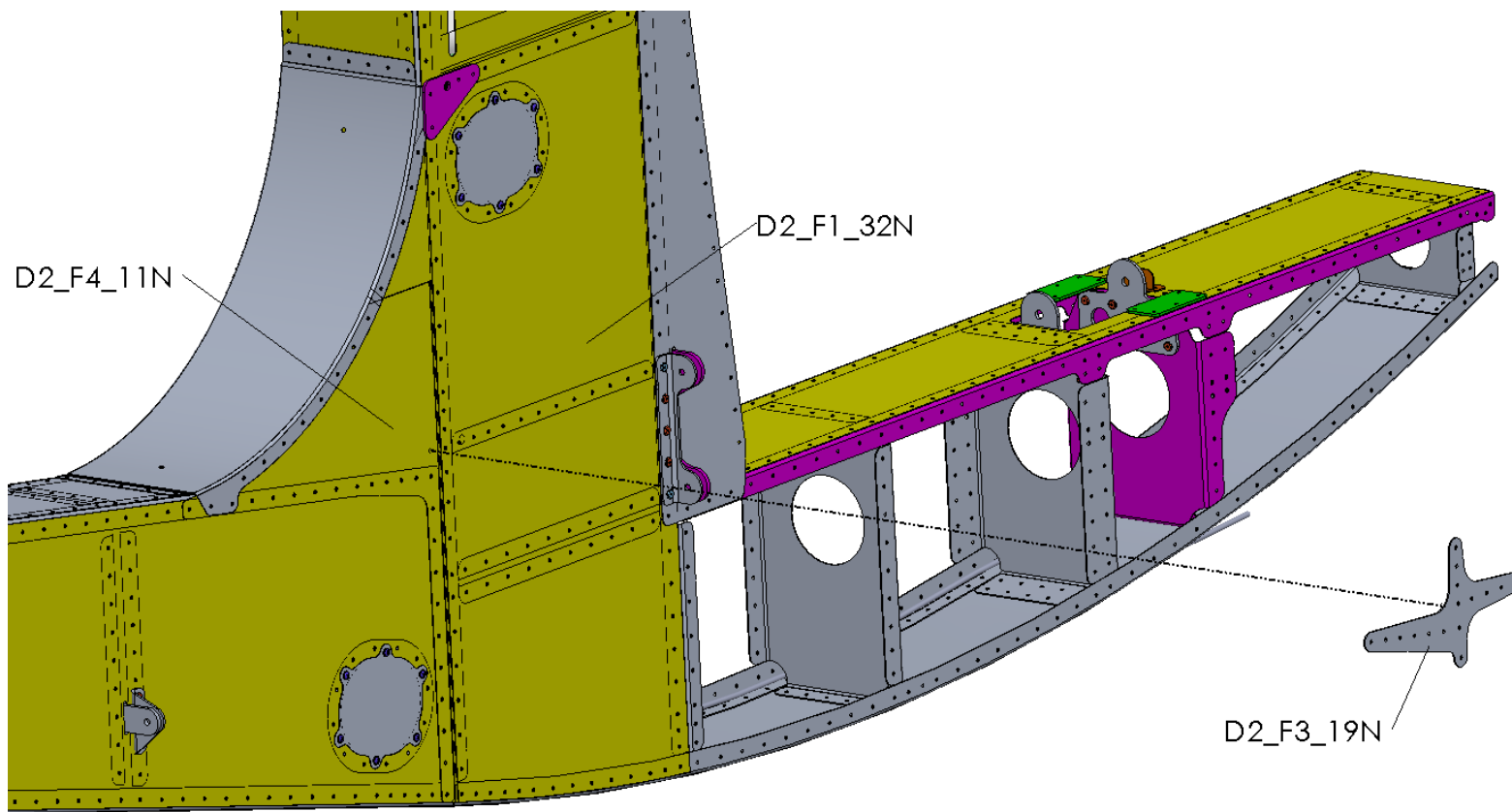
Step 16



Title	Document no.	Revision	Page	Pages
Fuselage assembly manual	D2_F0_00	Rev. 05	258	406



Step 17

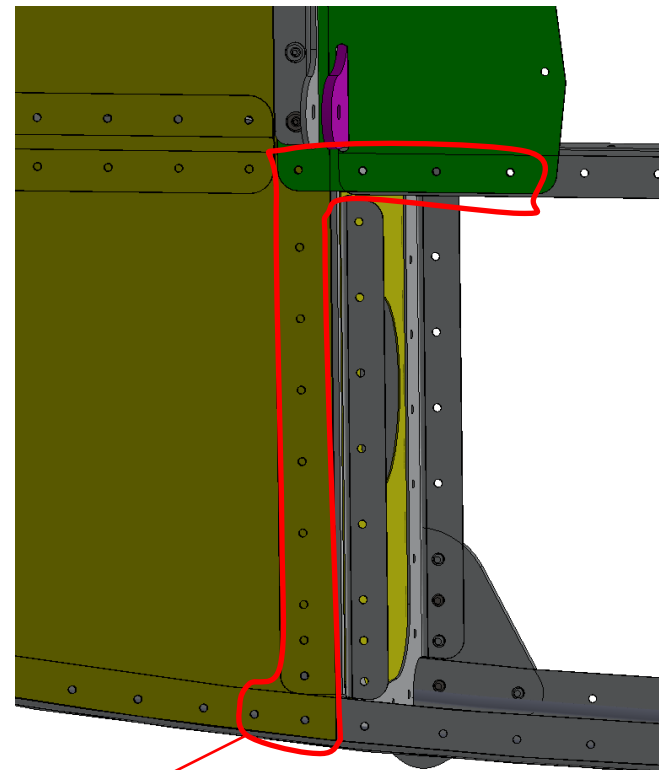
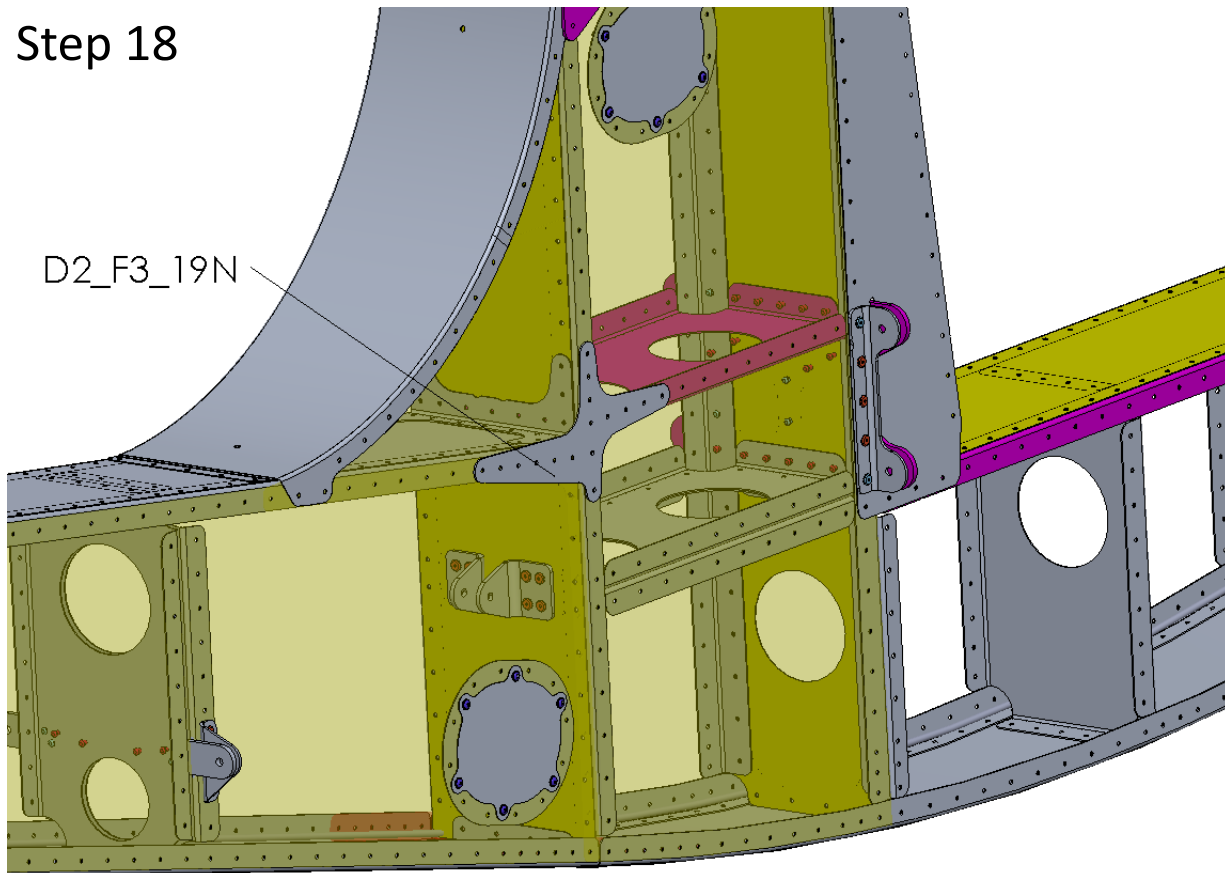


Title	Document no.	Revision	Page	Pages
Fuselage assembly manual	D2_F0_00	Rev. 05	259	406

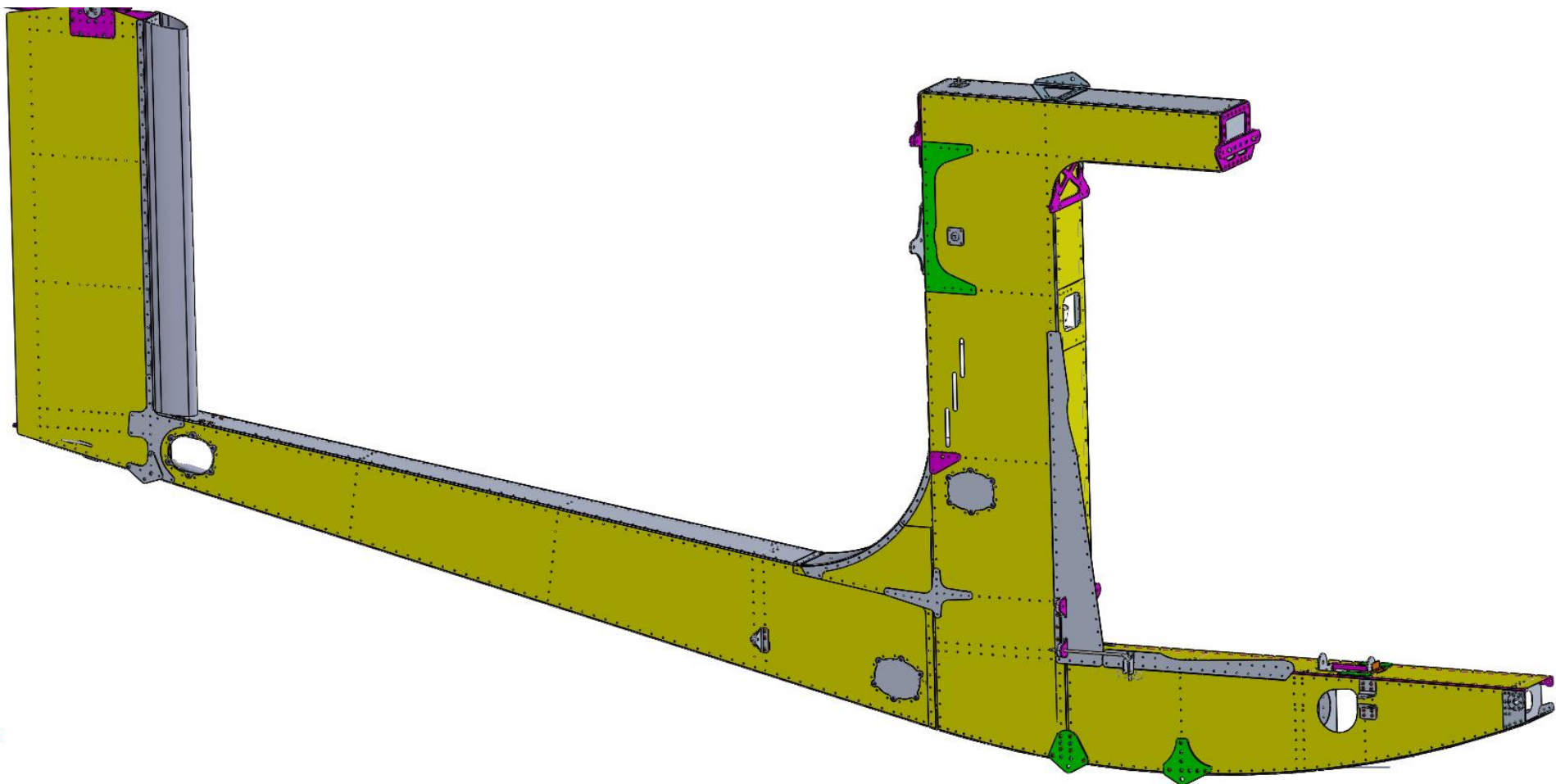


Step 18

D2_F3_19N



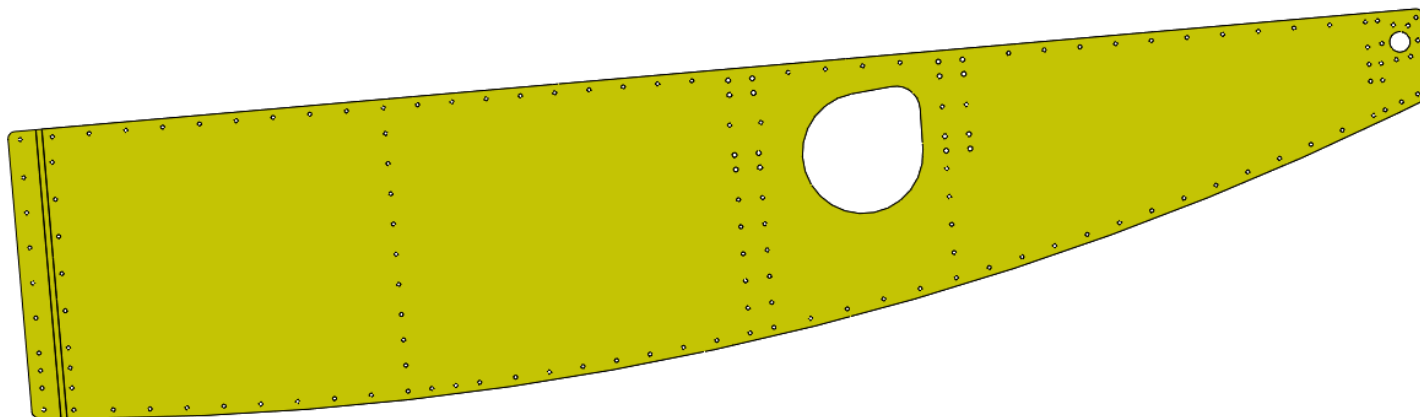
Title	Document no.	Revision	Page	Pages
Fuselage assembly manual	D2_F0_00	Rev. 05	260	406



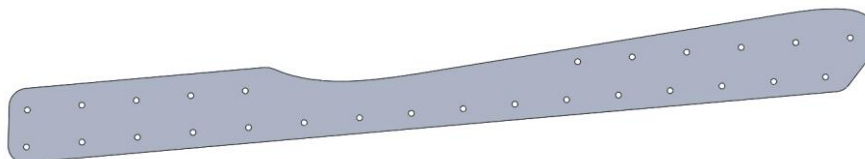
Title	Document no.	Revision	Page	Pages
Fuselage assembly manual	D2_F0_00	Rev. 05	261	406



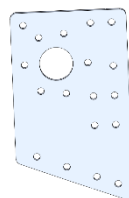
Detail: D2_F1_03P
Quantity: 1



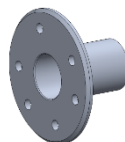
Detail: D2_F1_21N
Quantity: 1



Detail: D2_F4_13N
Quantity: 1



Detail: D2_F4_14N
Quantity: 1

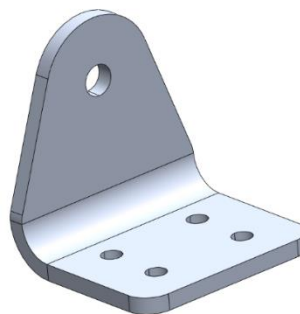


Title	Document no.	Revision	Page	Pages
Fuselage assembly manual	D2_F0_00	Rev. 05	262	406



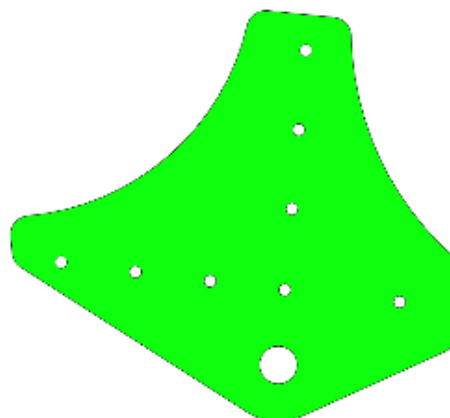
Detail: D2_F4_17N

Quantity: 2



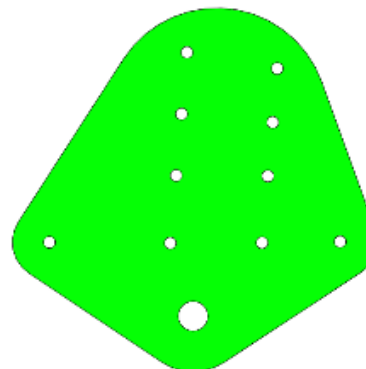
Detail: D2_F4_18N

Quantity: 1



Detail: D2_F4_19N

Quantity: 1



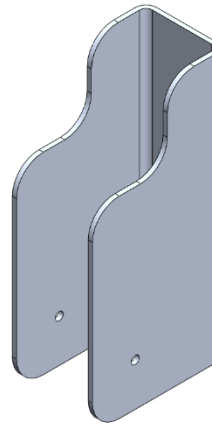
Title	Document no.	Revision	Page	Pages
Fuselage assembly manual	D2_F0_00	Rev. 05	263	406



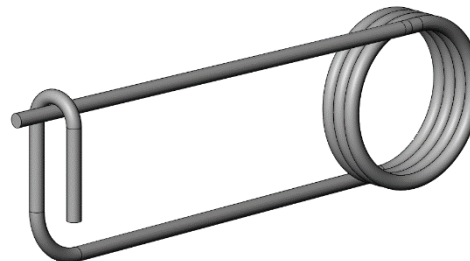
Detail: D2_F4_35N
Quantity: 1



Detail: D2_F4_36N
Quantity: 1



Detail: 90026A103_18-8 Stainless Steel
Strong-Hold Wire-Snap Cotter Pin
Quantity: 1

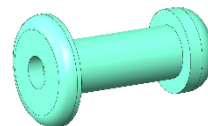


Title	Document no.	Revision	Page	Pages
Fuselage assembly manual	D2_F0_00	Rev. 05	264	406



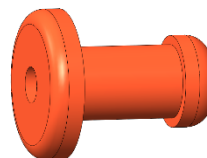
Detail: Rivet Al 3.2 x11.2

Quantity: 18



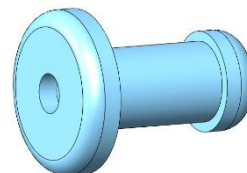
Detail: Rivet Al 4 x 9.5

Quantity: 18



Detail: Rivet INOX 4 x12

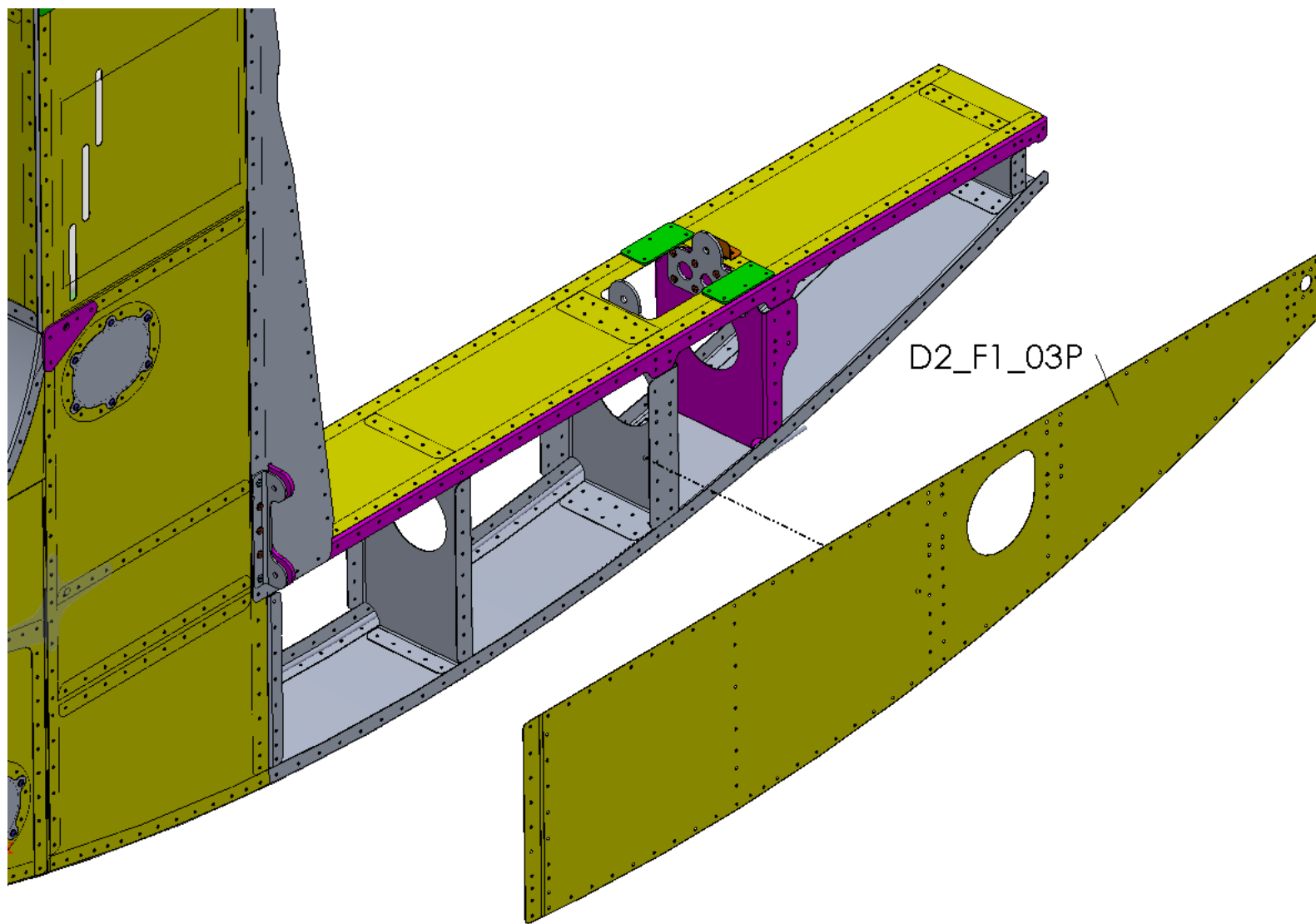
Quantity: 8



Title	Document no.	Revision	Page	Pages
Fuselage assembly manual	D2_F0_00	Rev. 05	265	406



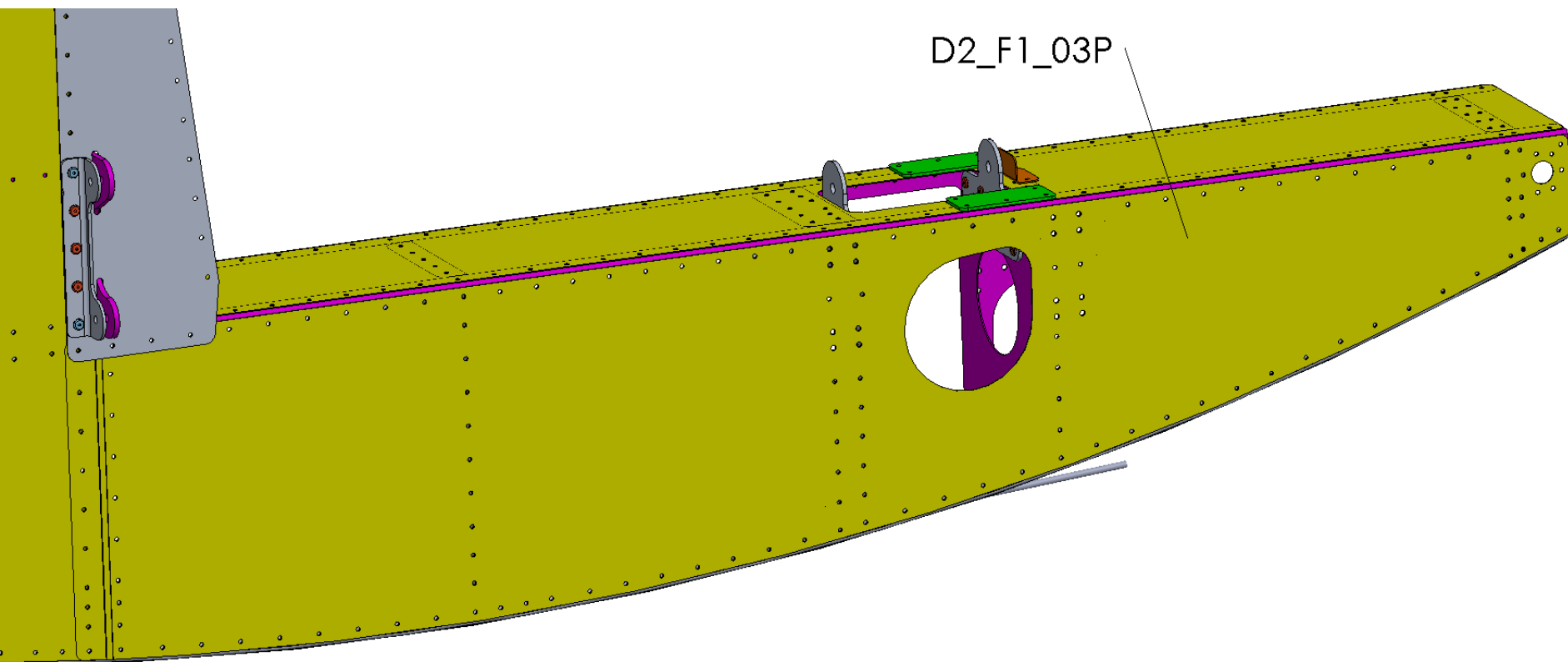
Step 1



Title	Document no.	Revision	Page	Pages
Fuselage assembly manual	D2_F0_00	Rev. 05	266	406



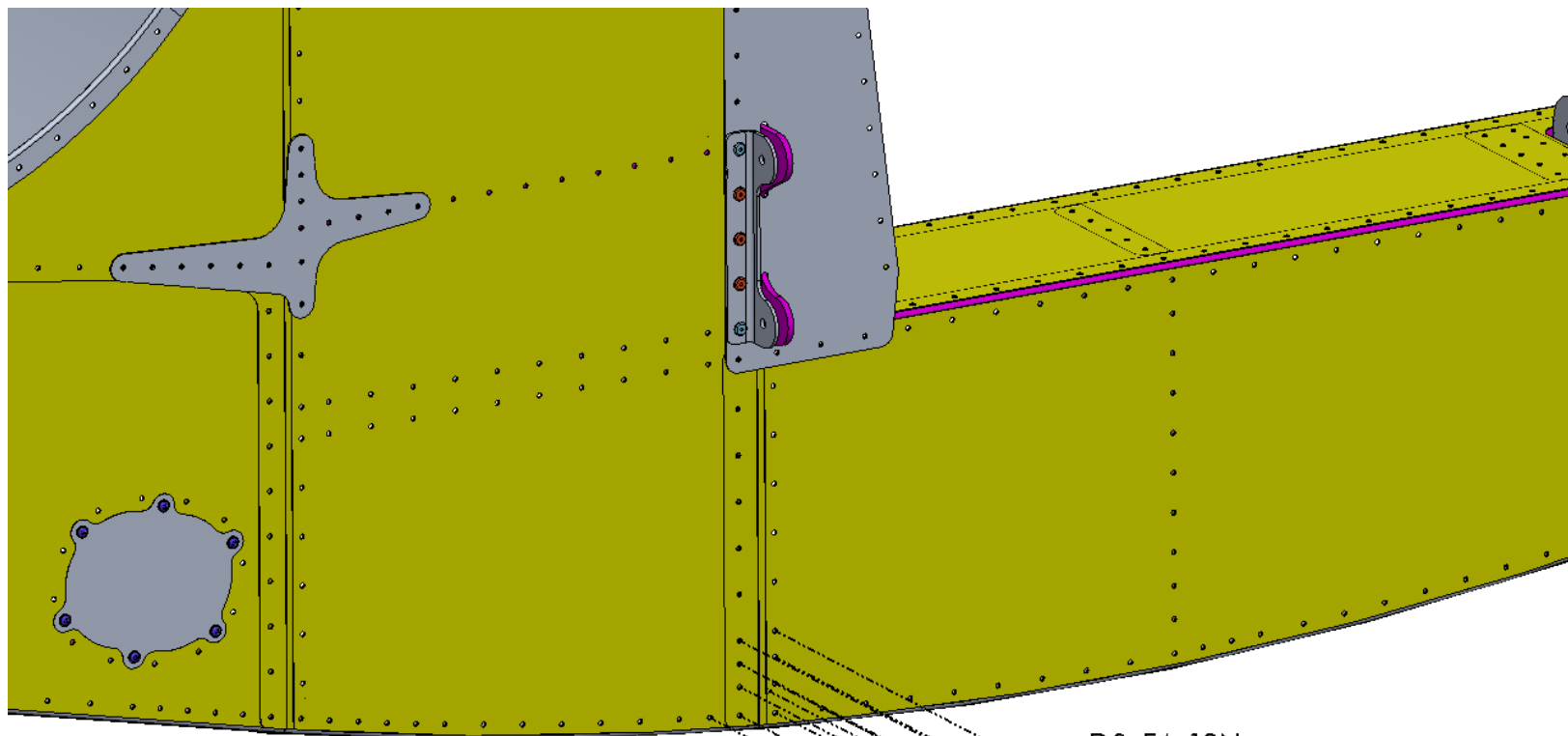
Step 2



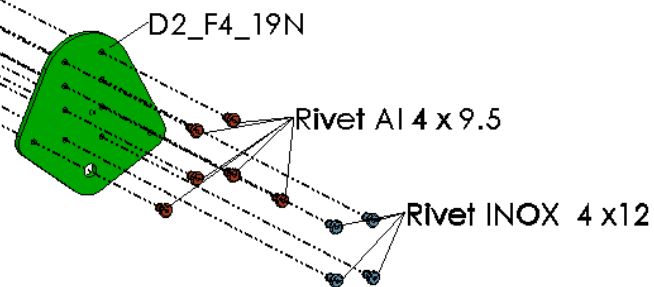
Title	Document no.	Revision	Page	Pages
Fuselage assembly manual	D2_F0_00	Rev. 05	267	406



Step 3



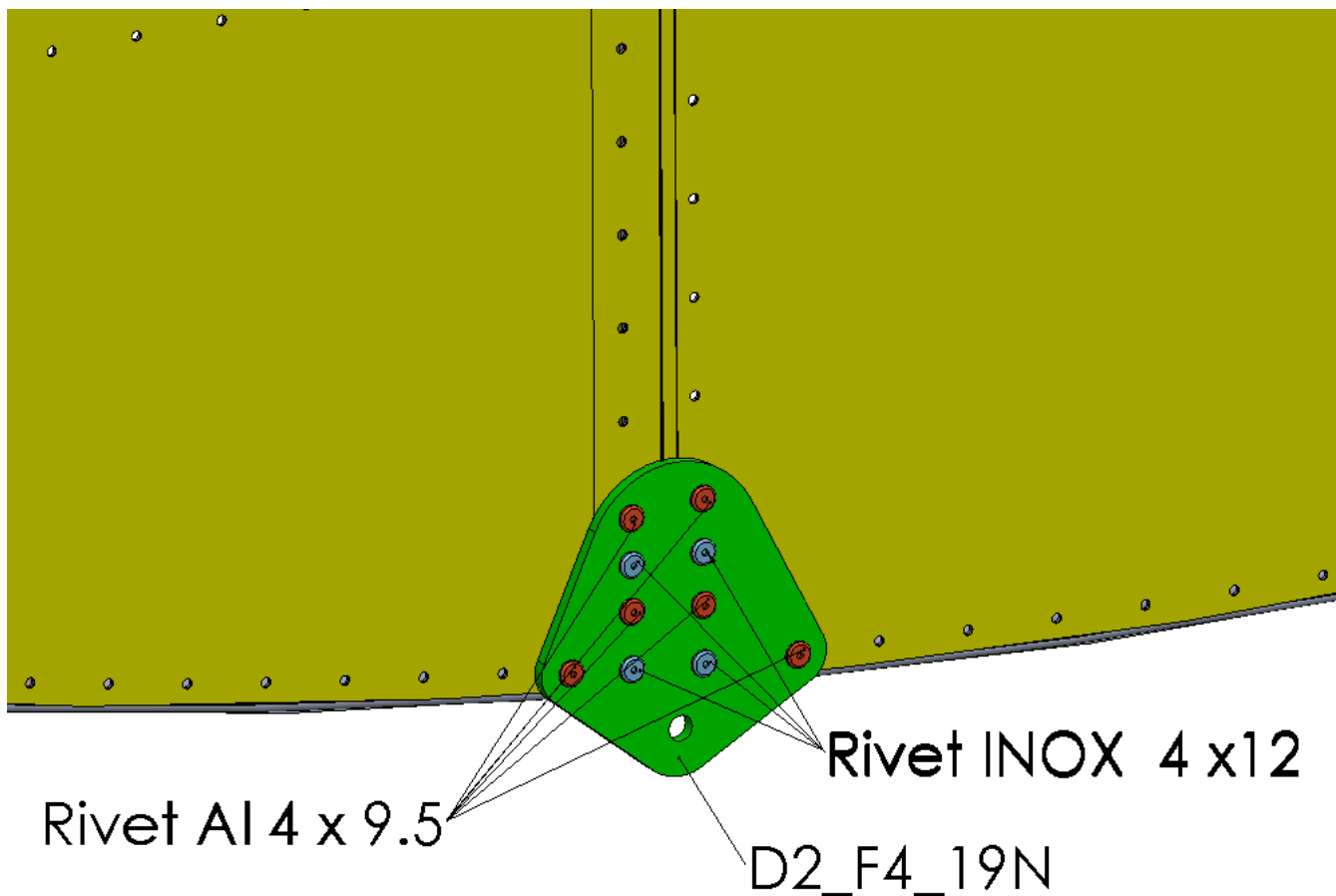
10x Hole \varnothing 4mm



Title	Document no.	Revision	Page	Pages
Fuselage assembly manual	D2_F0_00	Rev. 05	268	406



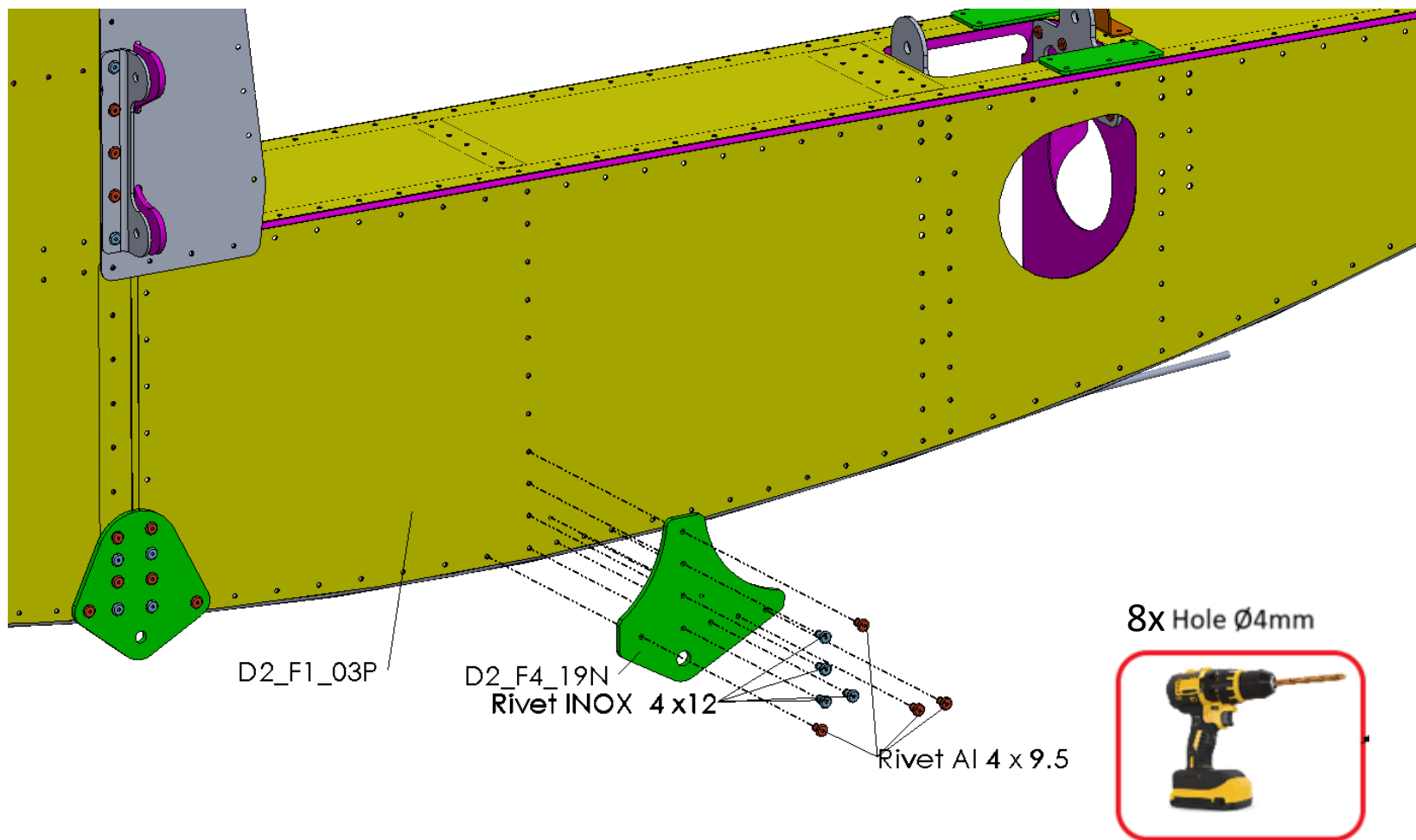
Step 4



Title	Document no.	Revision	Page	Pages
Fuselage assembly manual	D2_F0_00	Rev. 05	269	406



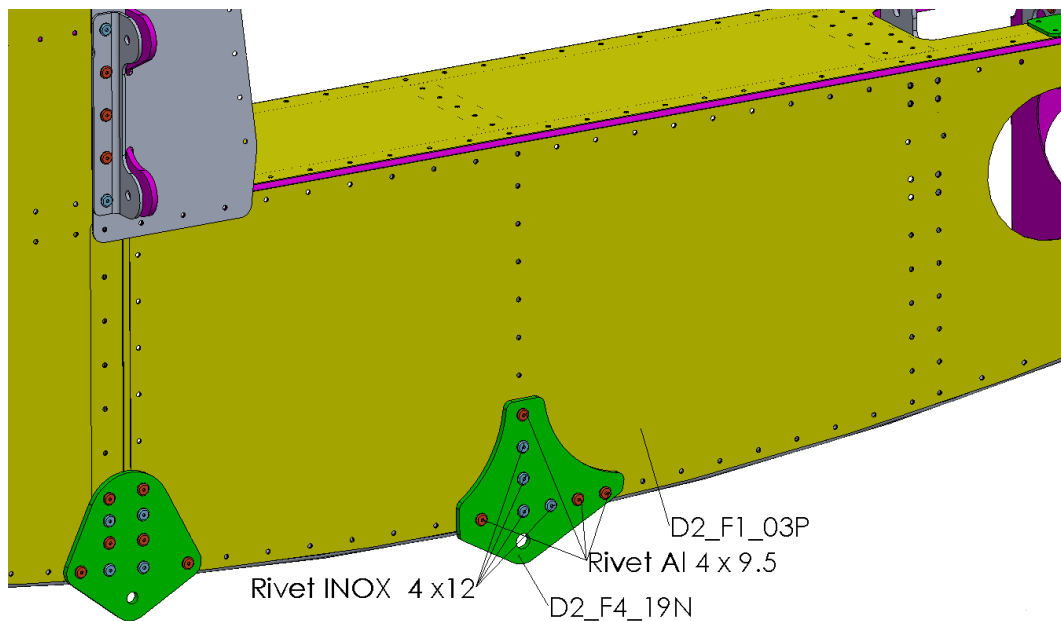
Step 5



Title	Document no.	Revision	Page	Pages
Fuselage assembly manual	D2_F0_00	Rev. 05	270	406



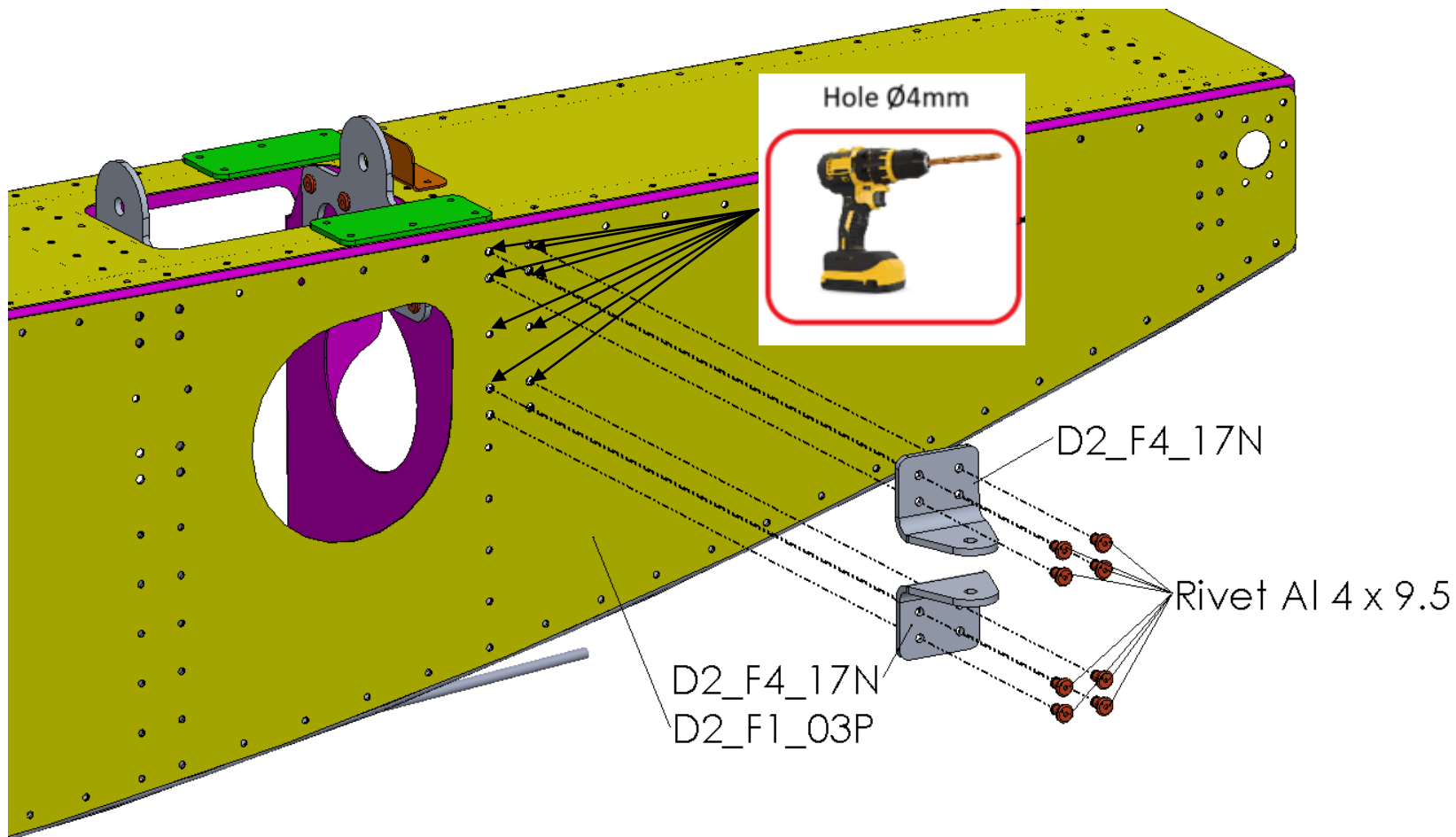
Step 6



Title	Document no.	Revision	Page	Pages
Fuselage assembly manual	D2_F0_00	Rev. 05	271	406



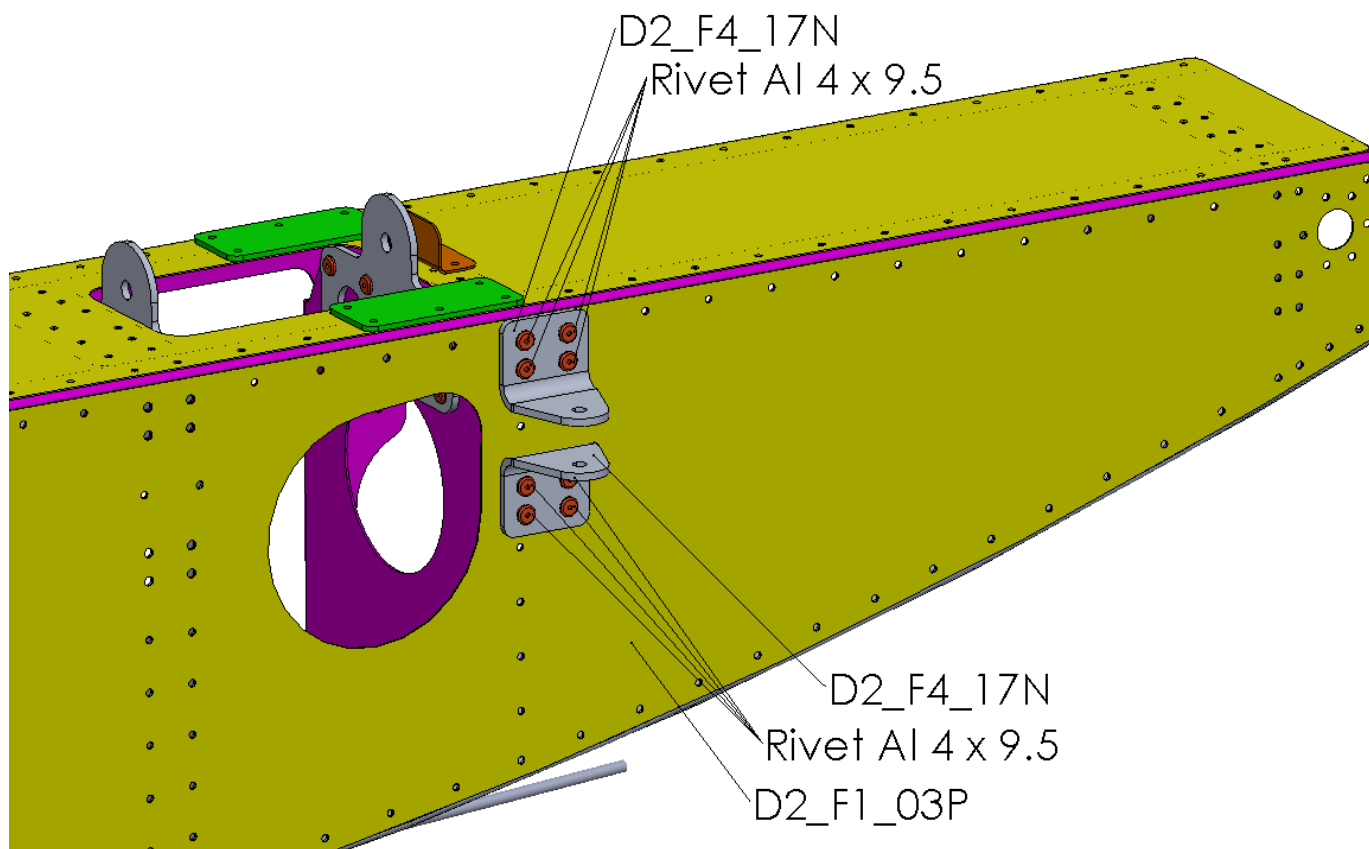
Step 7



Title	Document no.	Revision	Page	Pages
Fuselage assembly manual	D2_F0_00	Rev. 05	272	406



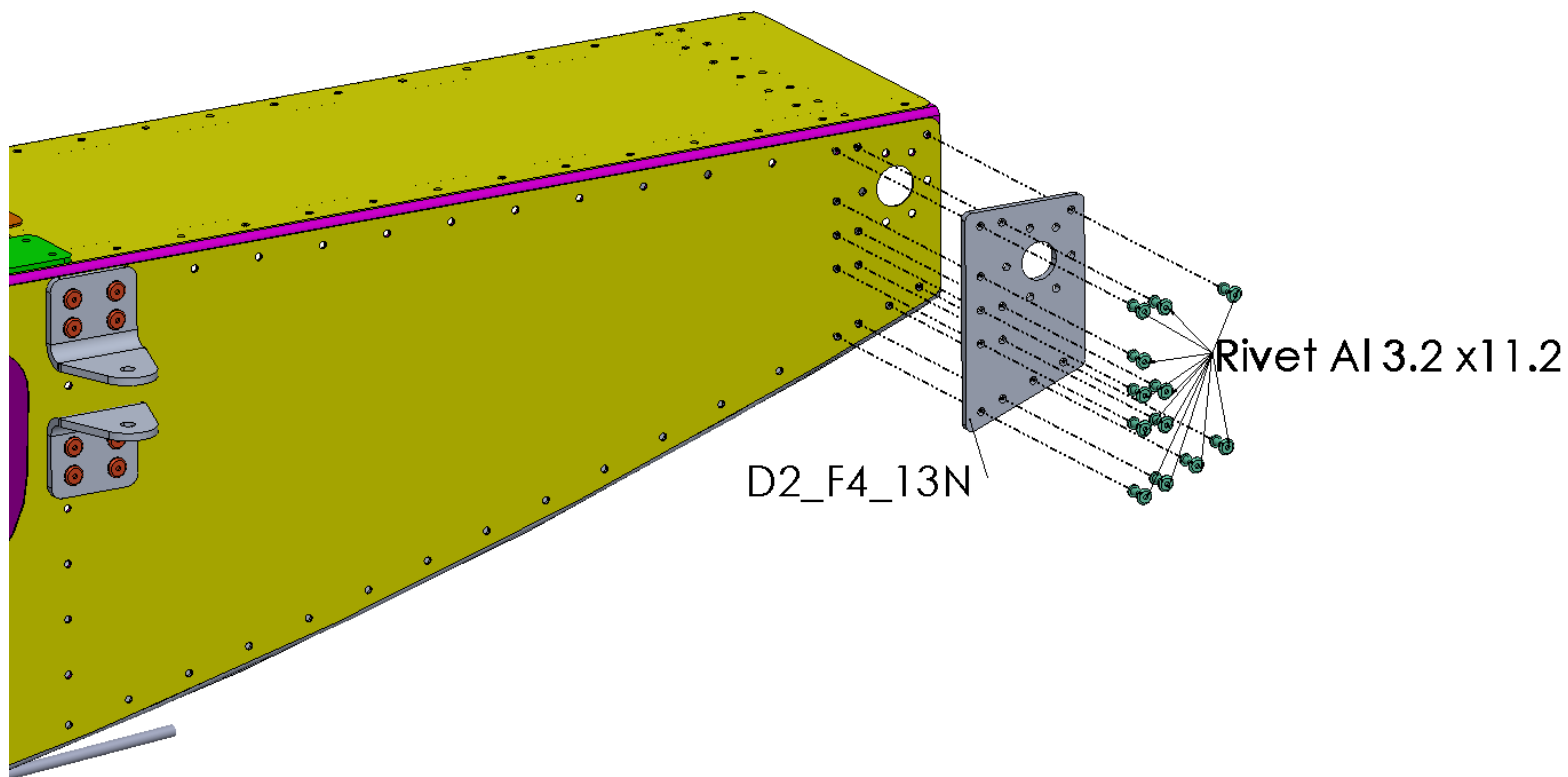
Step 8



Title	Document no.	Revision	Page	Pages
Fuselage assembly manual	D2_F0_00	Rev. 05	273	406



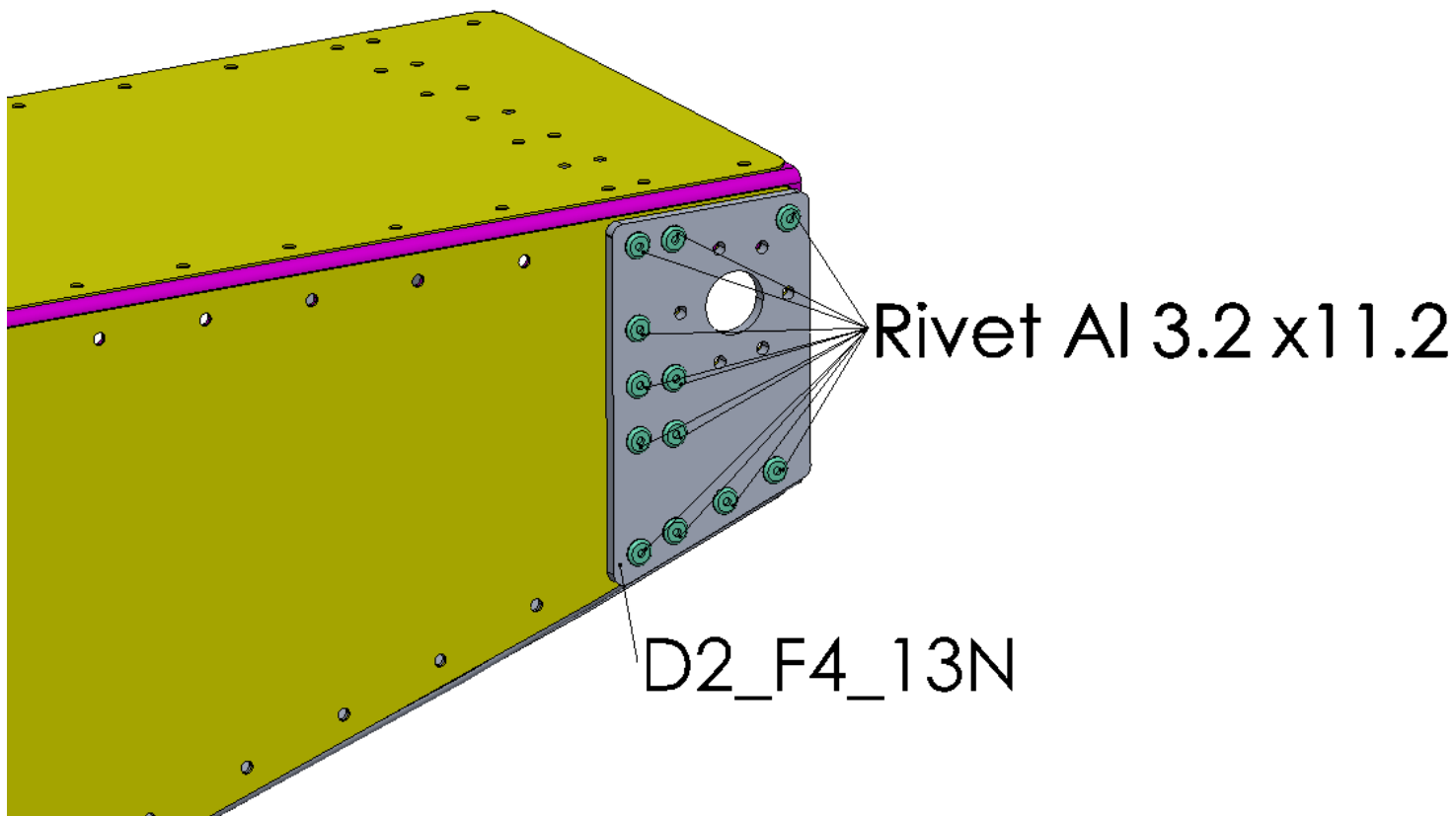
Step 9



Title	Document no.	Revision	Page	Pages
Fuselage assembly manual	D2_F0_00	Rev. 05	274	406



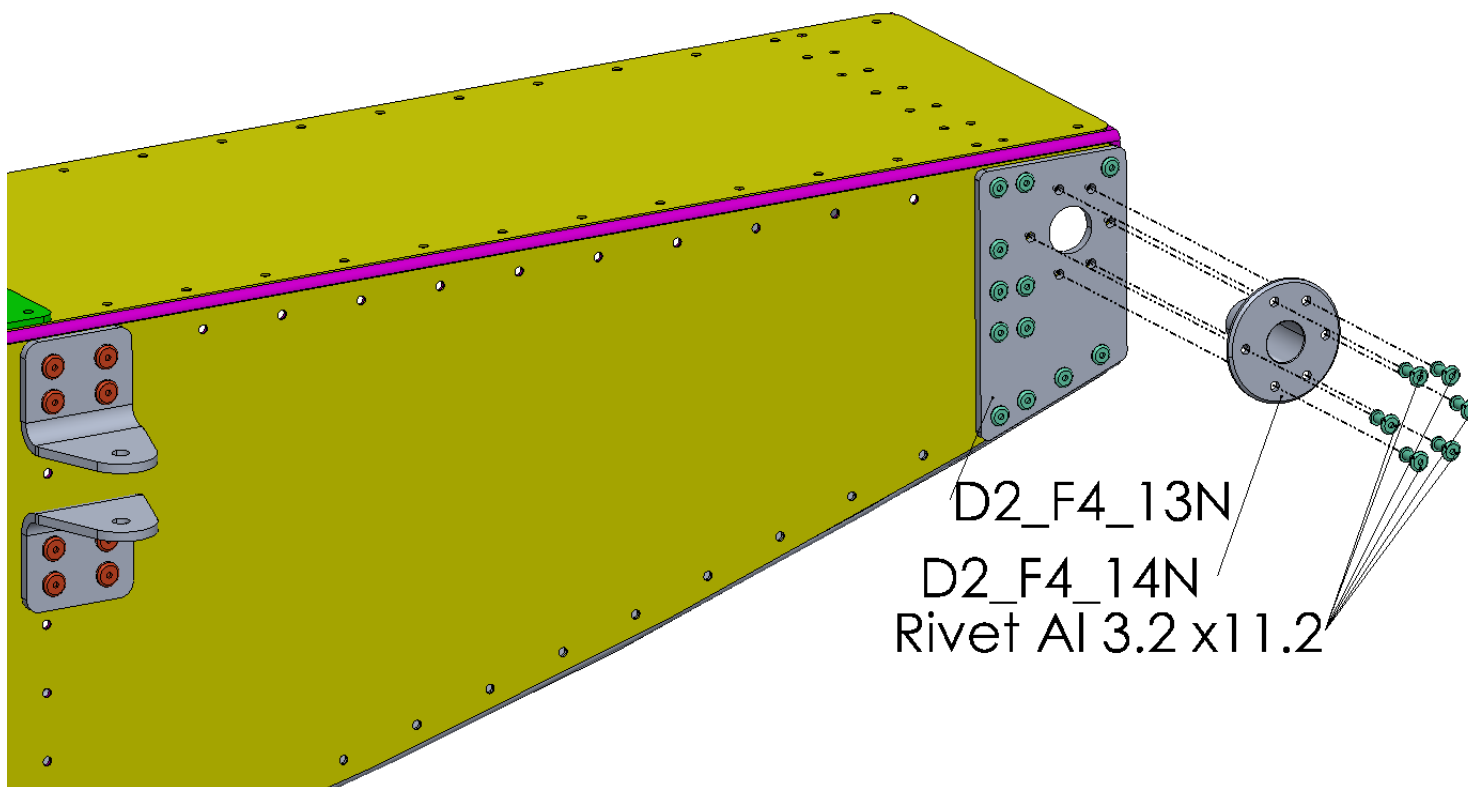
Step 10



Title	Document no.	Revision	Page	Pages
Fuselage assembly manual	D2_F0_00	Rev. 05	275	406



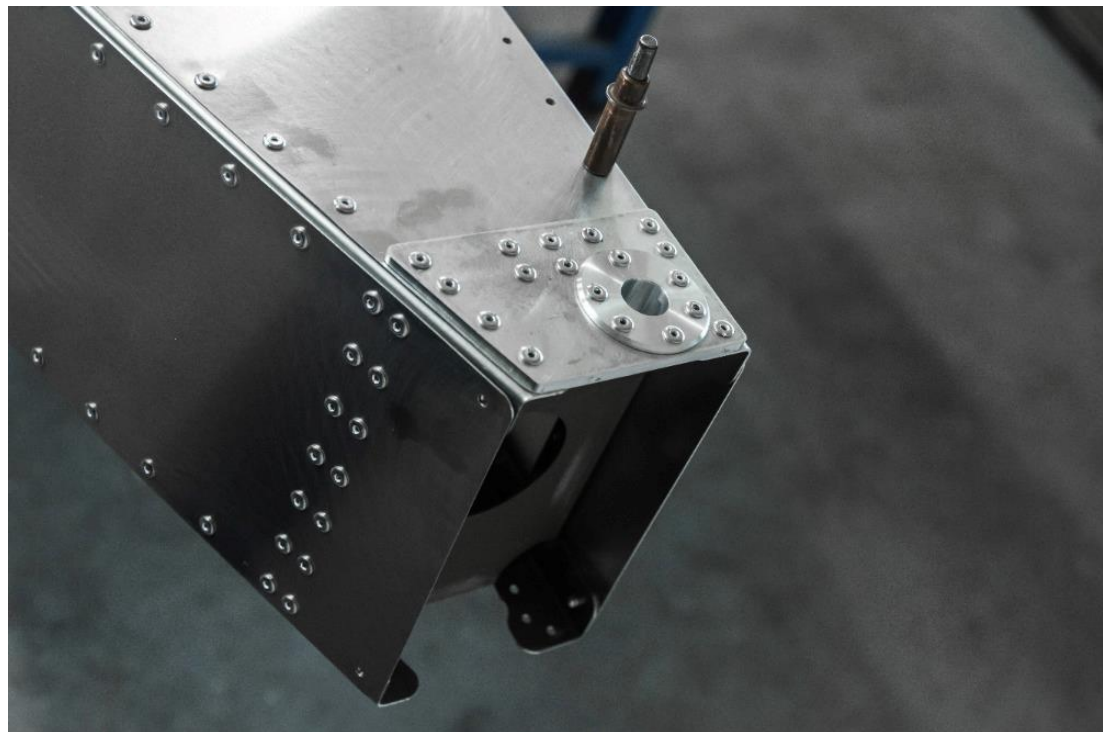
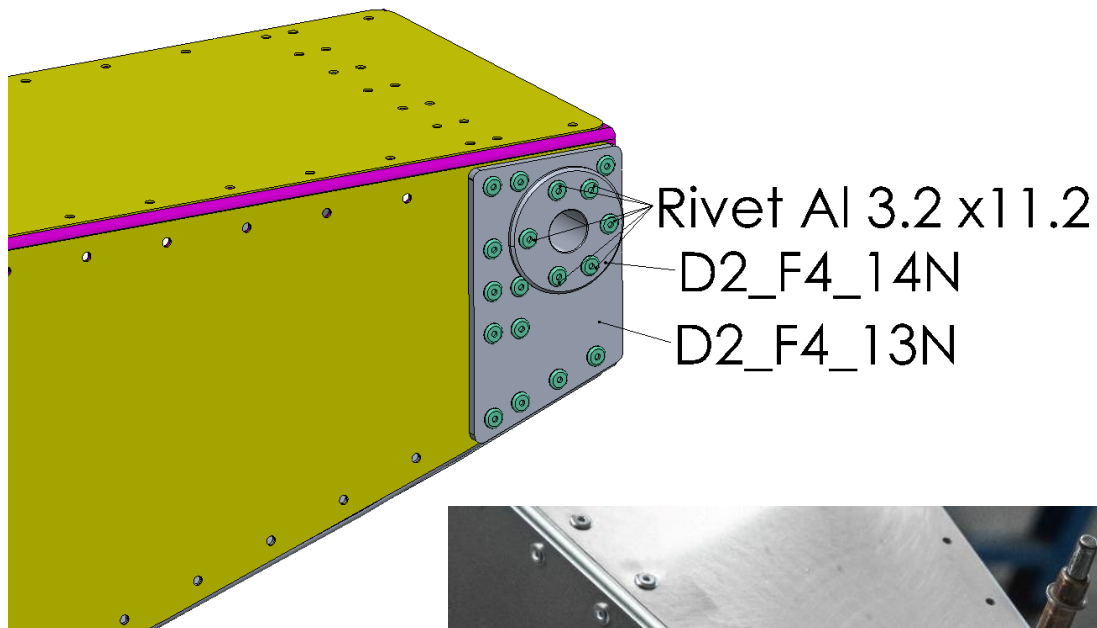
Step 11



Title	Document no.	Revision	Page	Pages
Fuselage assembly manual	D2_F0_00	Rev. 05	276	406



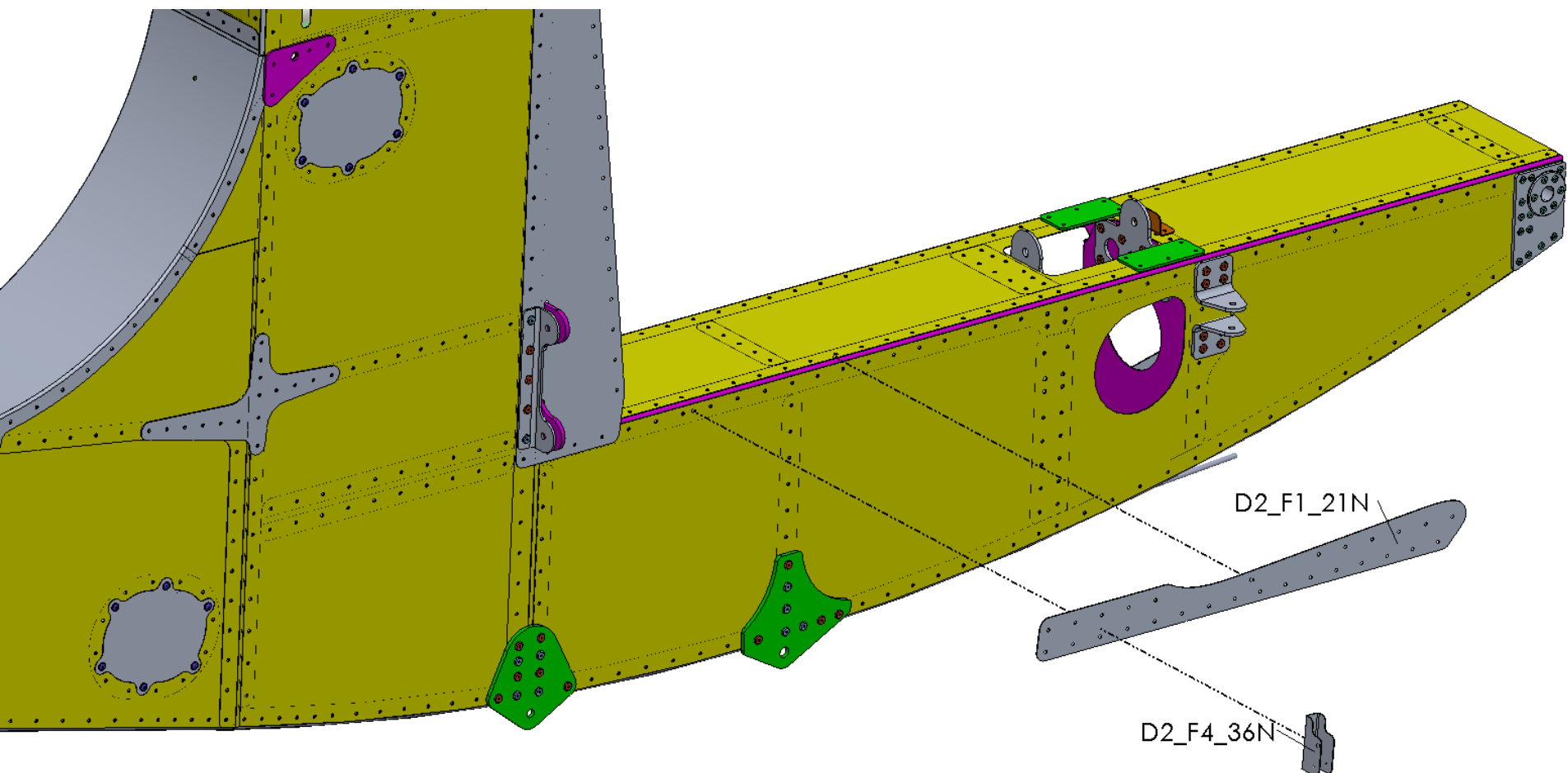
Step 12



Title	Document no.	Revision	Page	Pages
Fuselage assembly manual	D2_F0_00	Rev. 05	277	406



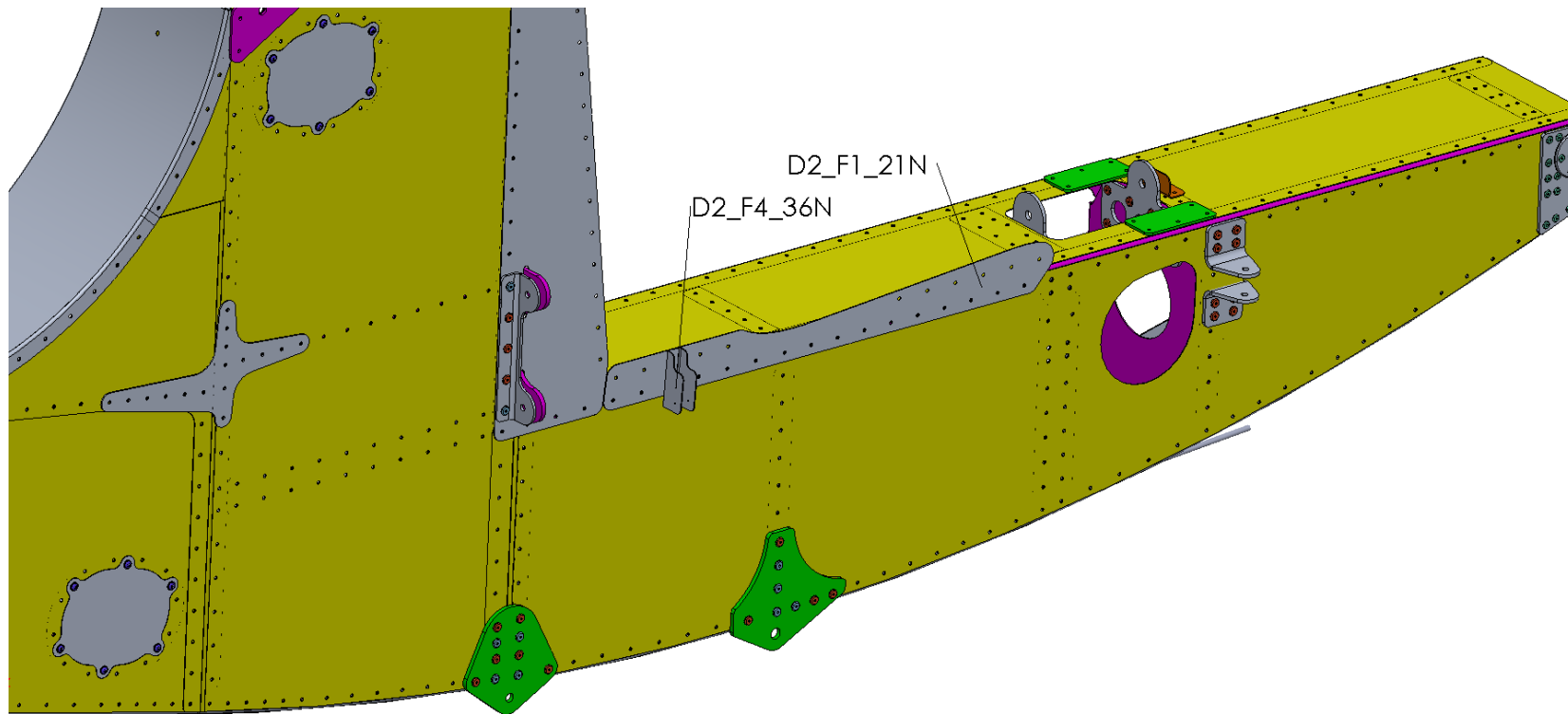
Step 13



Title	Document no.	Revision	Page	Pages
Fuselage assembly manual	D2_F0_00	Rev. 05	278	406



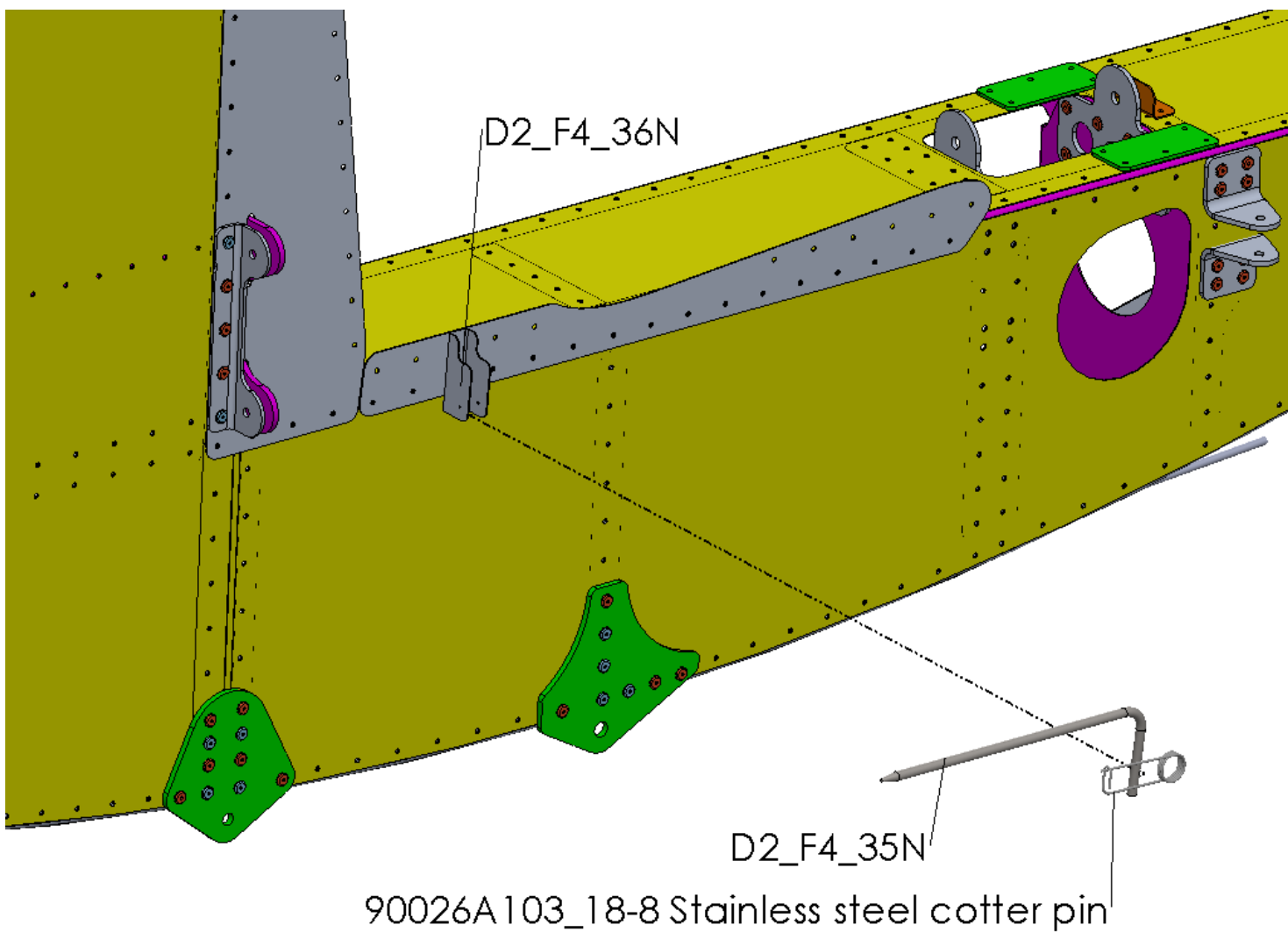
Step 14



Title	Document no.	Revision	Page	Pages
Fuselage assembly manual	D2_F0_00	Rev. 05	279	406



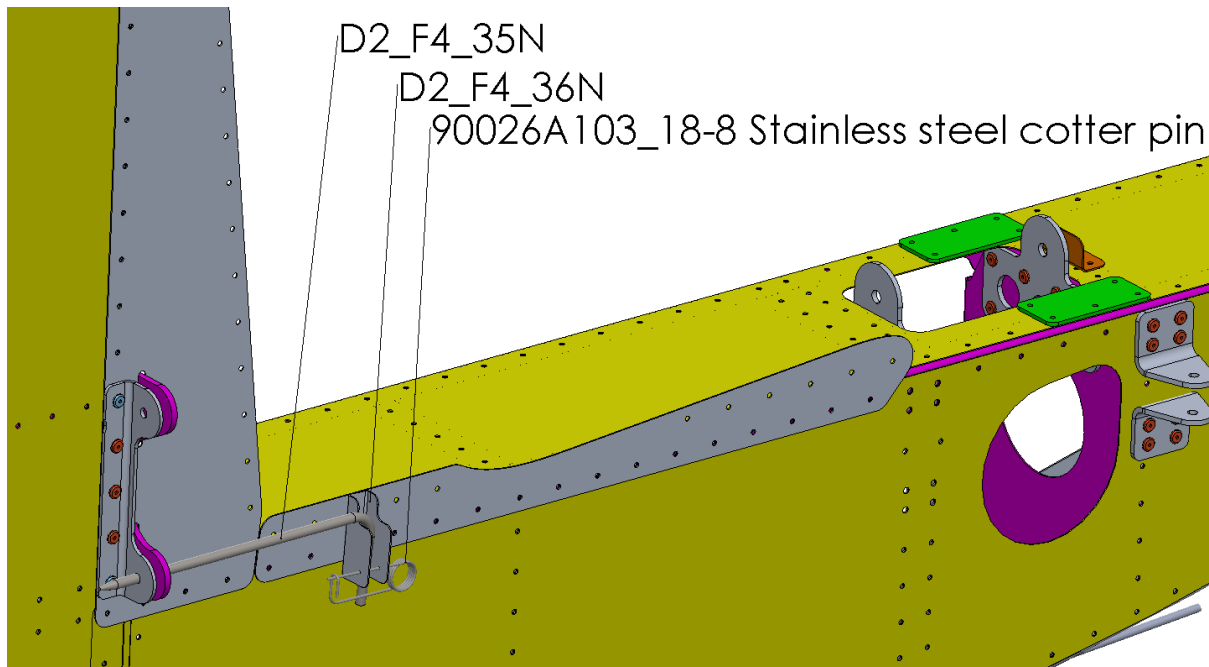
Step 15



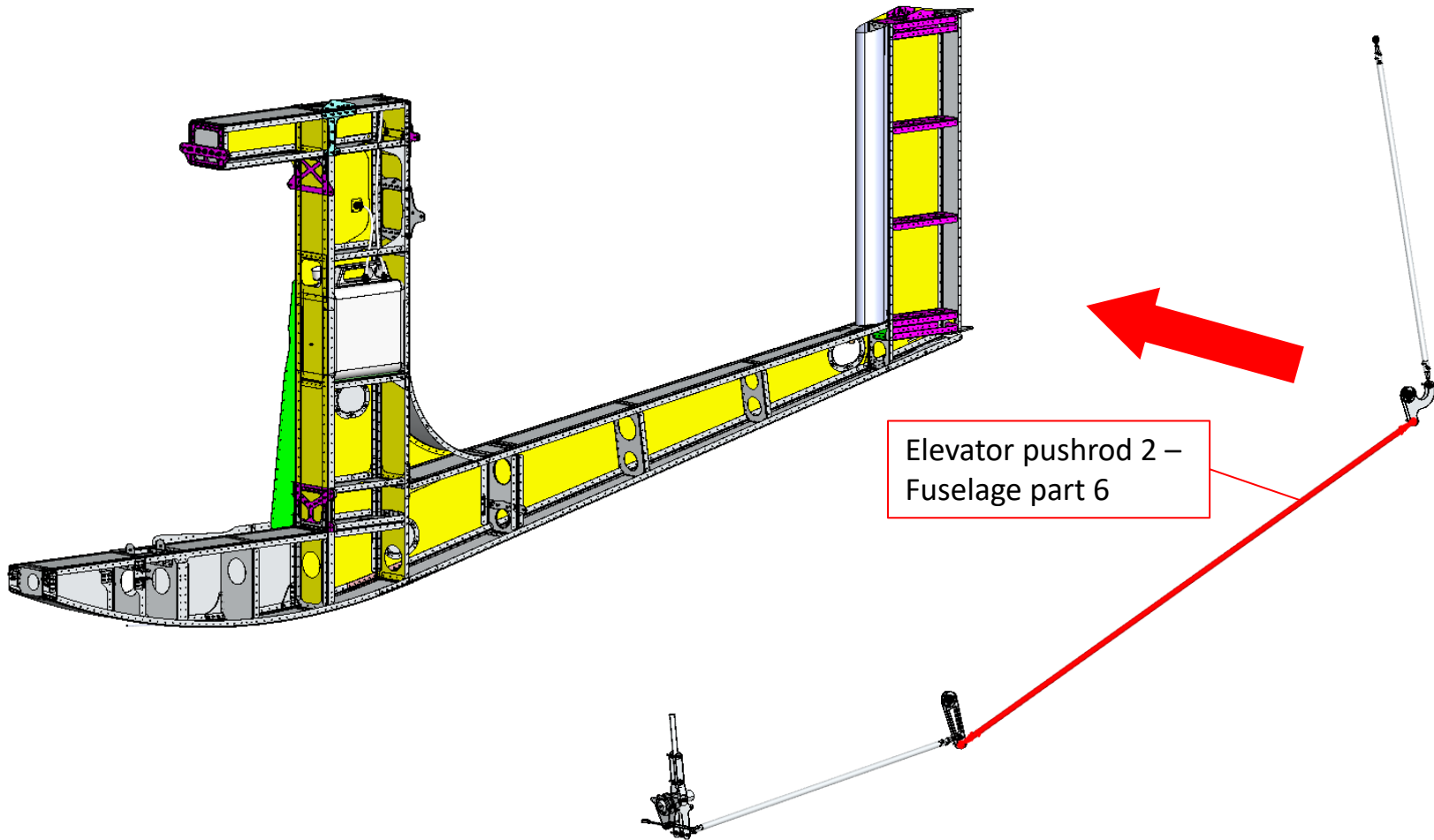
Title	Document no.	Revision	Page	Pages
Fuselage assembly manual	D2_F0_00	Rev. 05	280	406



Step 16

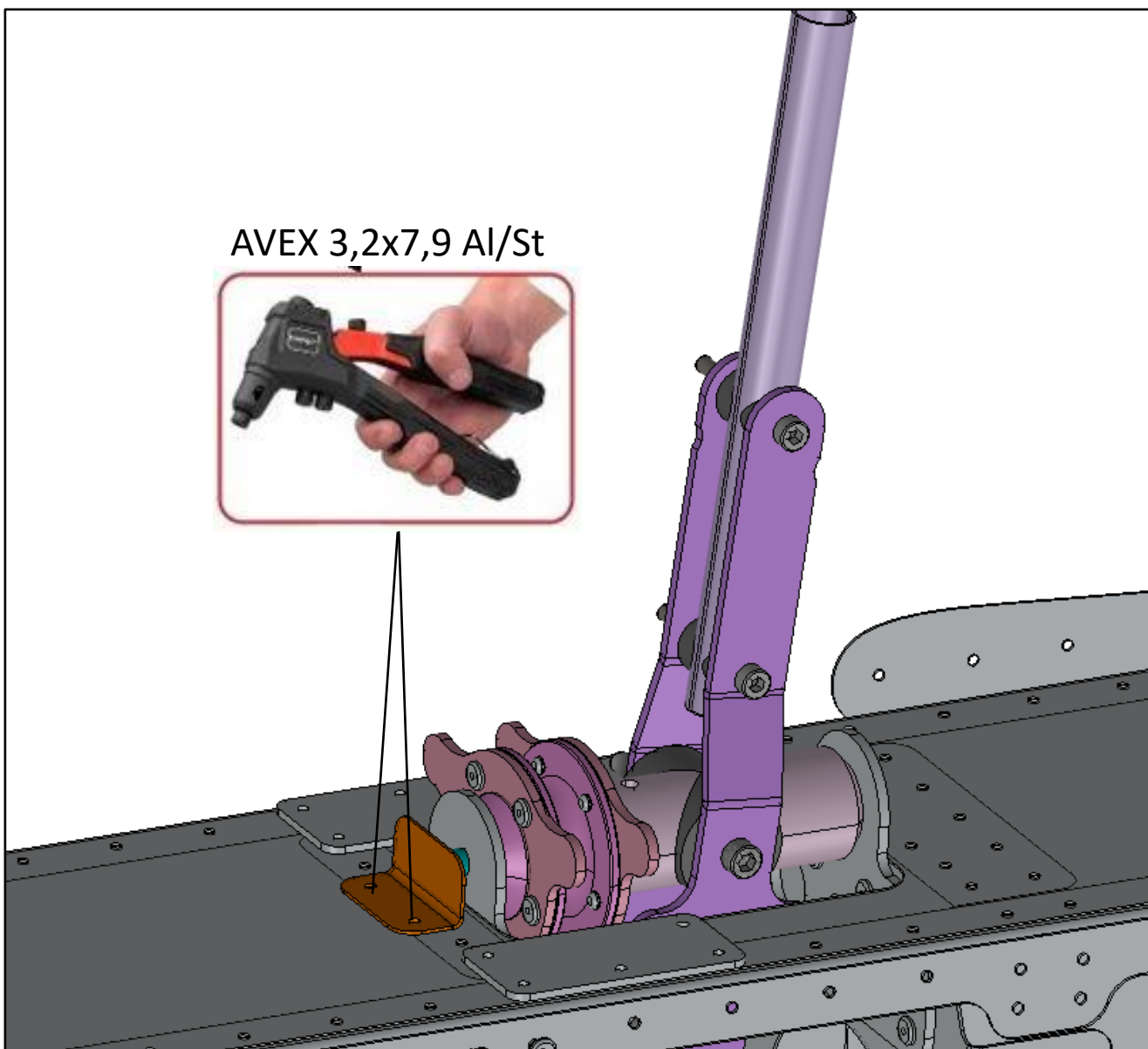


Title	Document no.	Revision	Page	Pages
Fuselage assembly manual	D2_F0_00	Rev. 05	281	406

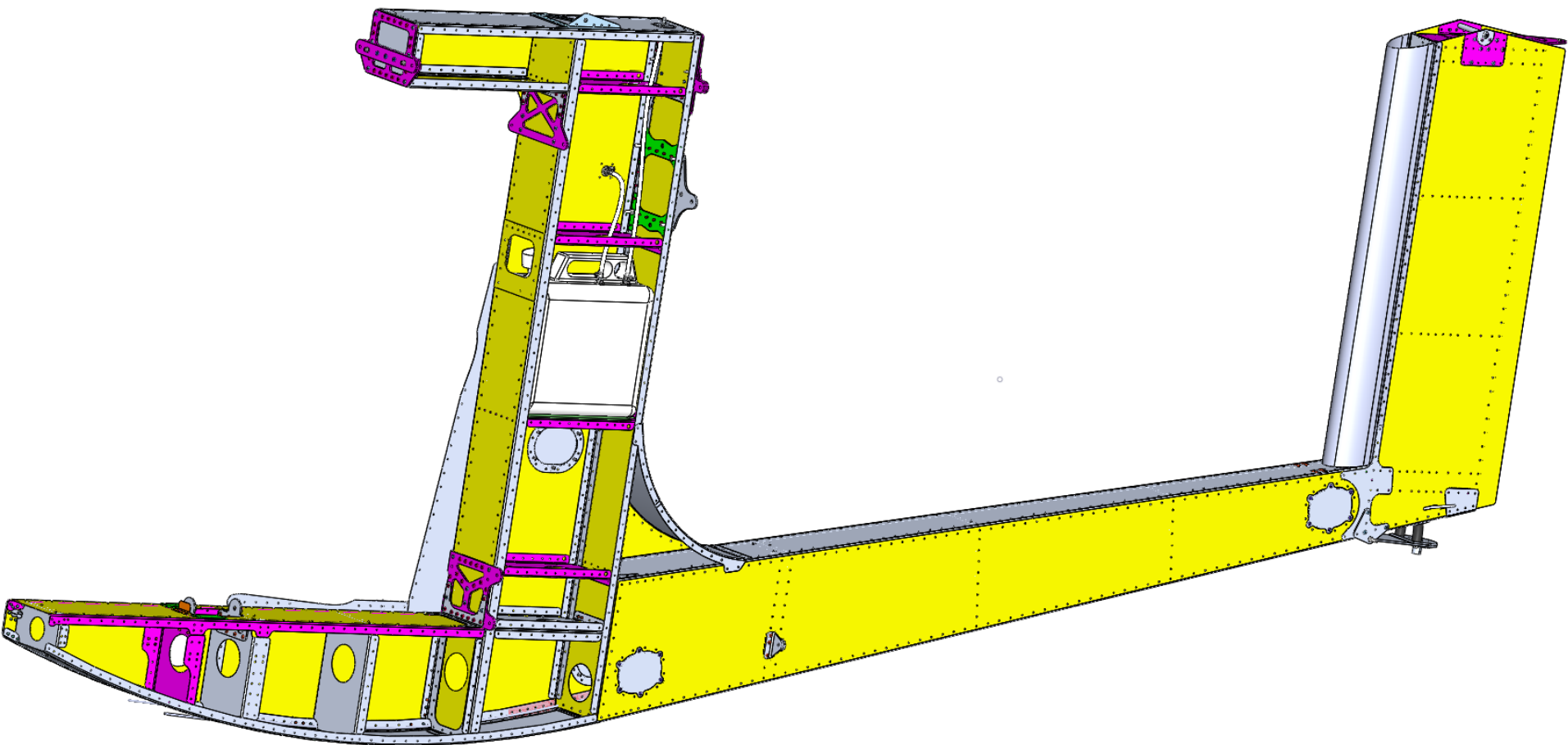


Control system assembly manual D2_R0_00

Title	Document no.	Revision	Page	Pages
Fuselage assembly manual	D2_F0_00	Rev. 05	282	406



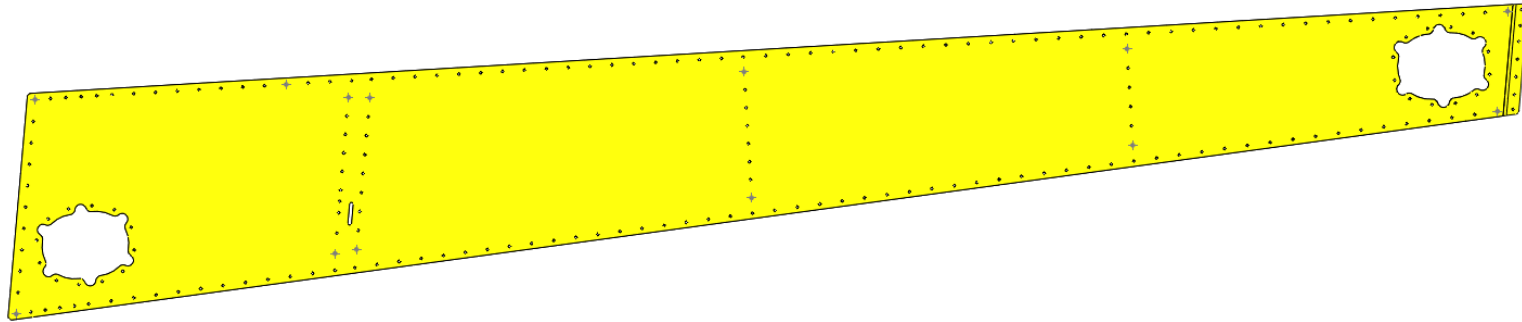
Title	Document no.	Revision	Page	Pages
Fuselage assembly manual	D2_F0_00	Rev. 05	283	406



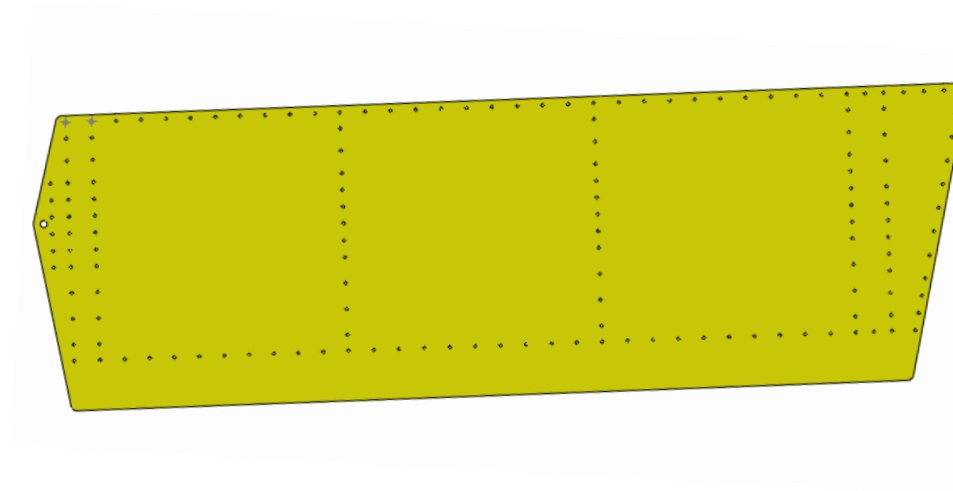
Title	Document no.	Revision	Page	Pages
Fuselage assembly manual	D2_F0_00	Rev. 05	284	406



Detail: D2_F1_02L
Quantity: 1



Detail: D2_F1_05N
Quantity: 1

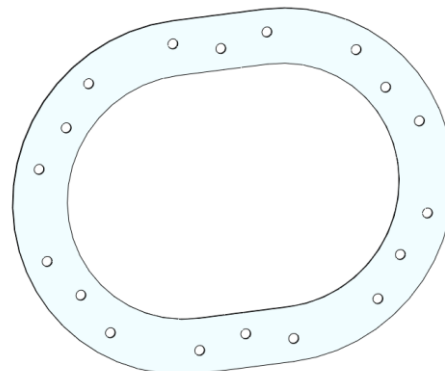


Title	Document no.	Revision	Page	Pages
Fuselage assembly manual	D2_F0_00	Rev. 05	285	406



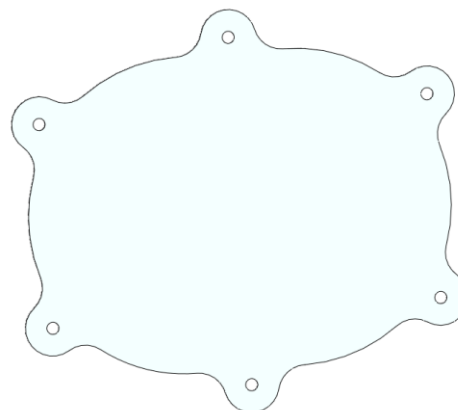
Detail: D2_F1_14N

Quantity: 2



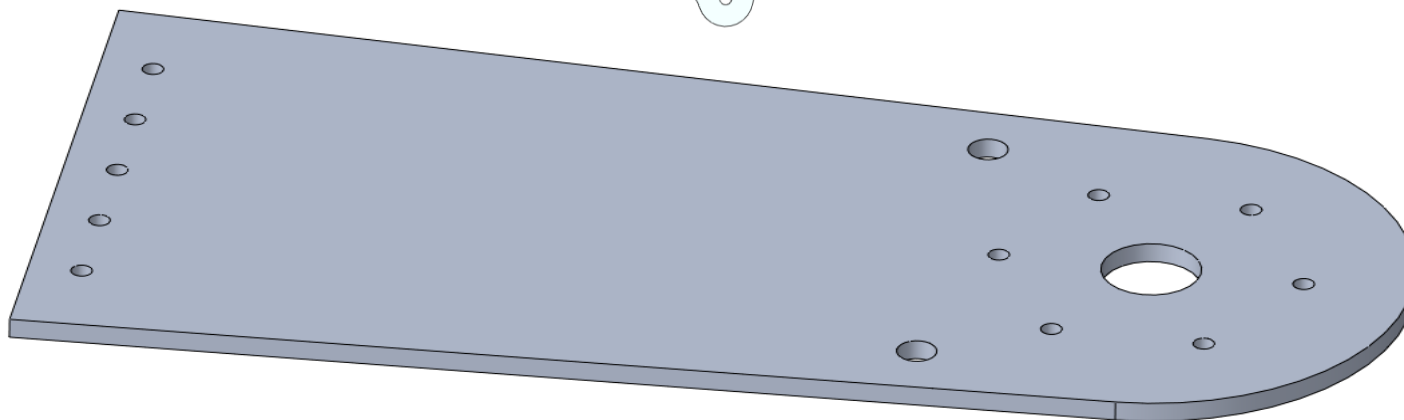
Detail: D2_F1_15N

Quantity: 2



Detail: D2_F1_23N

Quantity: 1

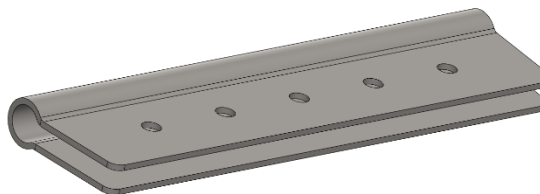


Title	Document no.	Revision	Page	Pages
Fuselage assembly manual	D2_F0_00	Rev. 05	286	406



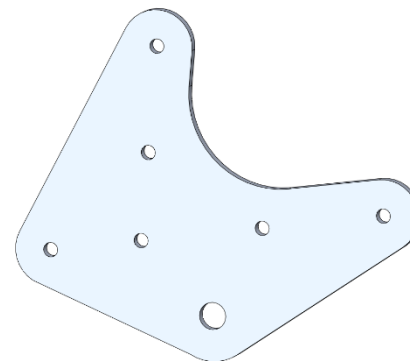
Detail: D2_F1_25N

Quantity: 1



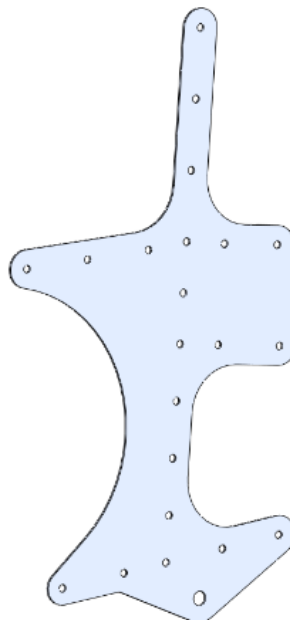
Detail: D2_F1_26N

Quantity: 1



Detail: D2_F1_27N

Quantity: 1

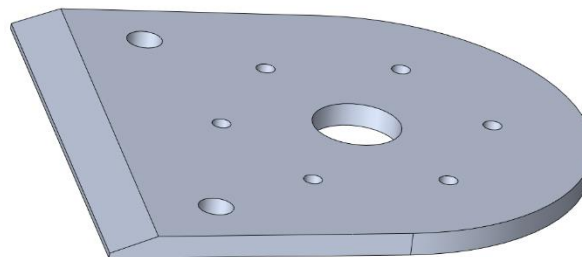


Title	Document no.	Revision	Page	Pages
Fuselage assembly manual	D2_F0_00	Rev. 05	287	406



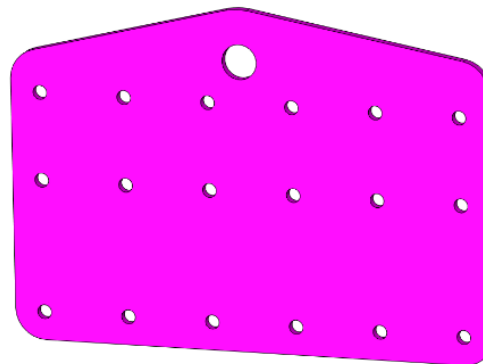
Detail: D2_F1_33N

Quantity: 1



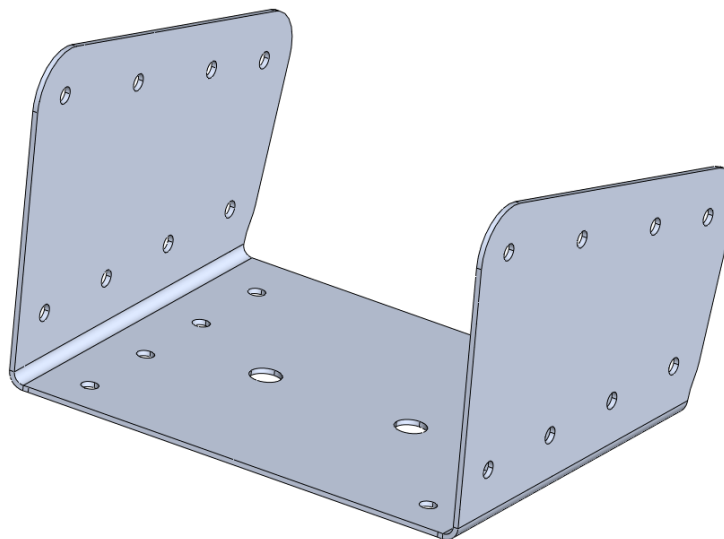
Detail: D2_F4_08N

Quantity: 1



Detail: D2_F4_10N

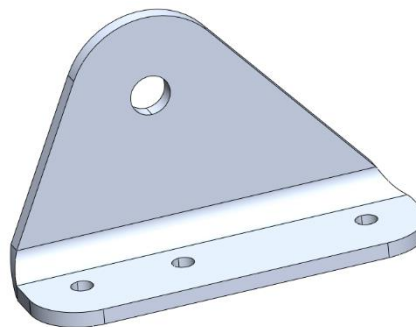
Quantity: 1



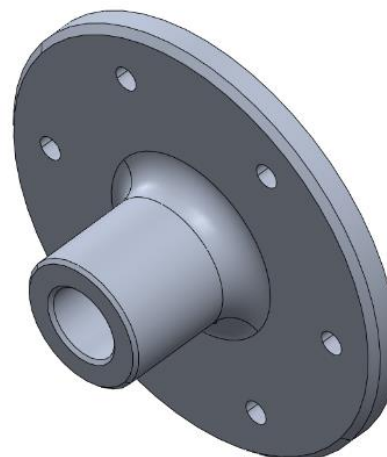
Title	Document no.	Revision	Page	Pages
Fuselage assembly manual	D2_F0_00	Rev. 05	288	406



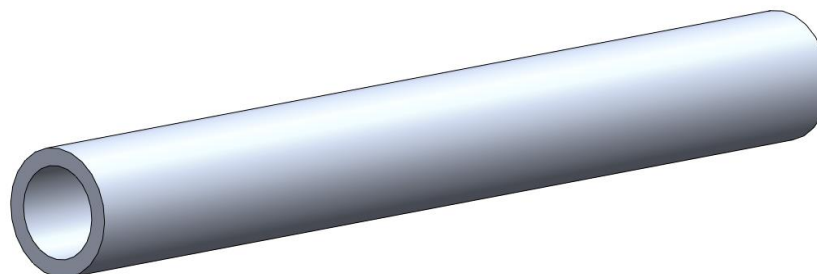
Detail: D2_F4_20L
Quantity: 1



Detail: D2_F4_21N
Quantity: 1



Detail: D2_F4_34N
Quantity: 1

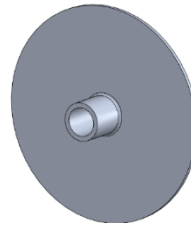


Title	Document no.	Revision	Page	Pages
Fuselage assembly manual	D2_F0_00	Rev. 05	289	406



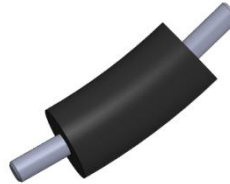
Detail: D2_F4_37N

Quantity: 2



Detail: Silentblock M6 40b

Quantity: 2



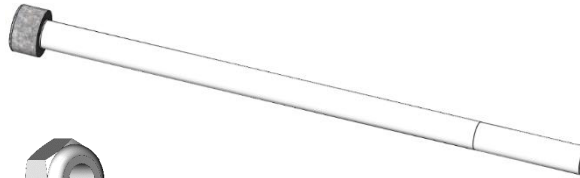
Detail: Bolt DIN 912 M5x30

Quantity: 2



Detail: Bolt DIN 912 M6x120

Quantity: 1



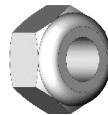
Detail: DIN 985 M5 Nylock Nut

Quantity: 2



Detail: DIN 985 M6 Nylock Nut

Quantity: 5



Detail: DIN 125 Washer M5

Quantity: 2



Detail: DIN 125 Washer M6

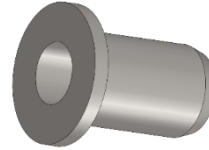
Quantity: 2



Title	Document no.	Revision	Page	Pages
Fuselage assembly manual	D2_F0_00	Rev. 05	290	406



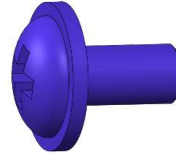
Detail: RivNut M4 A2-304
Quantity: 1



Detail: RivNut M3 cs
Quantity: 12



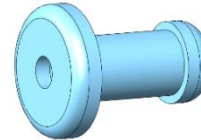
Detail: BOLT DIN 967 M3x6
Quantity: 12



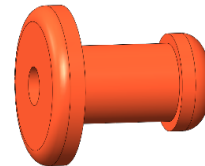
Detail: Rivet INOX 4 x10
Quantity: 6



Detail: Rivet INOX 4 x12
Quantity: 12



Detail: Rivet Al 4 x 9.5
Quantity: 3



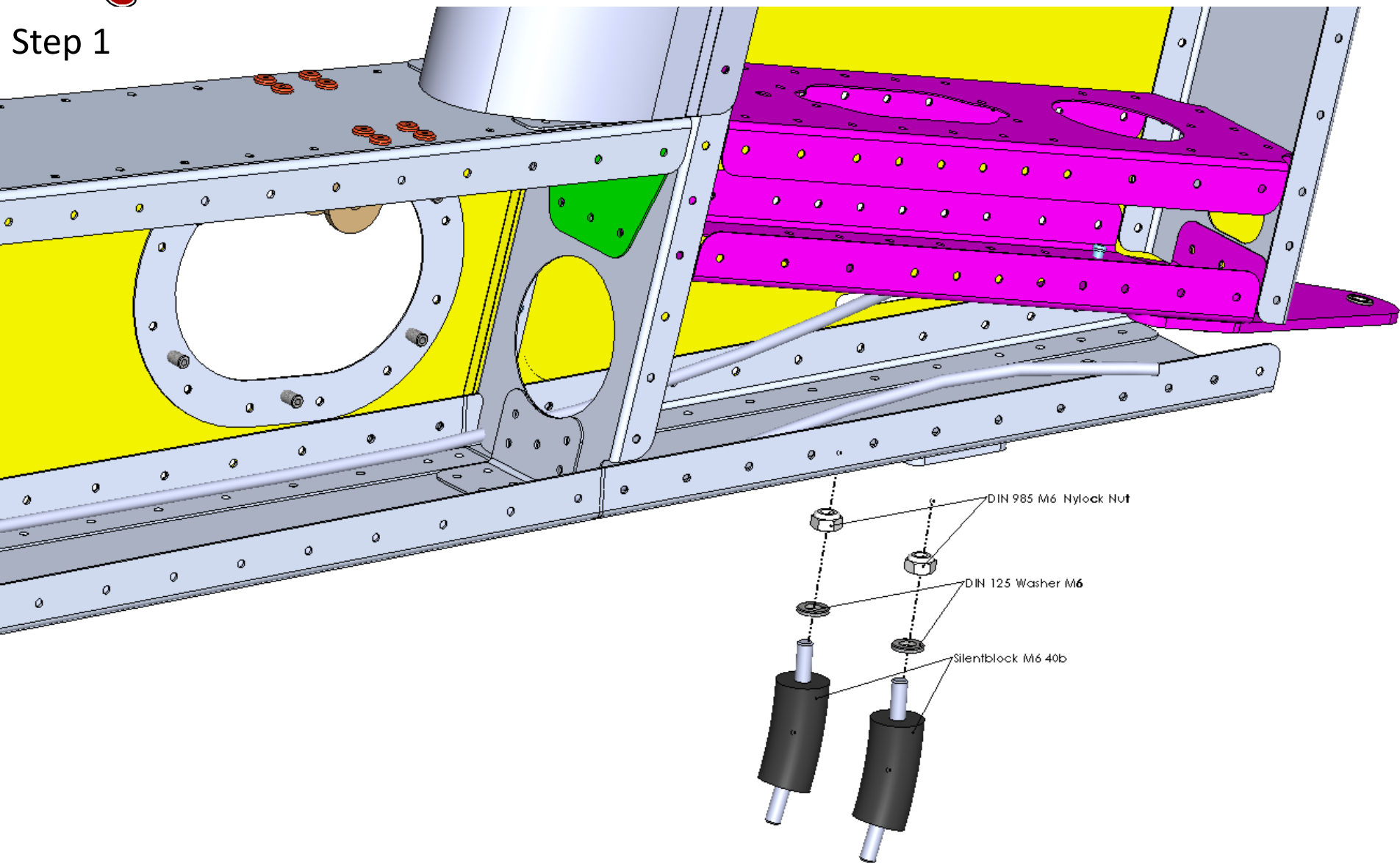
Detail: Rivet INOX FTR 4,9 x 20
Quantity: 5



Title	Document no.	Revision	Page	Pages
Fuselage assembly manual	D2_F0_00	Rev. 05	291	406



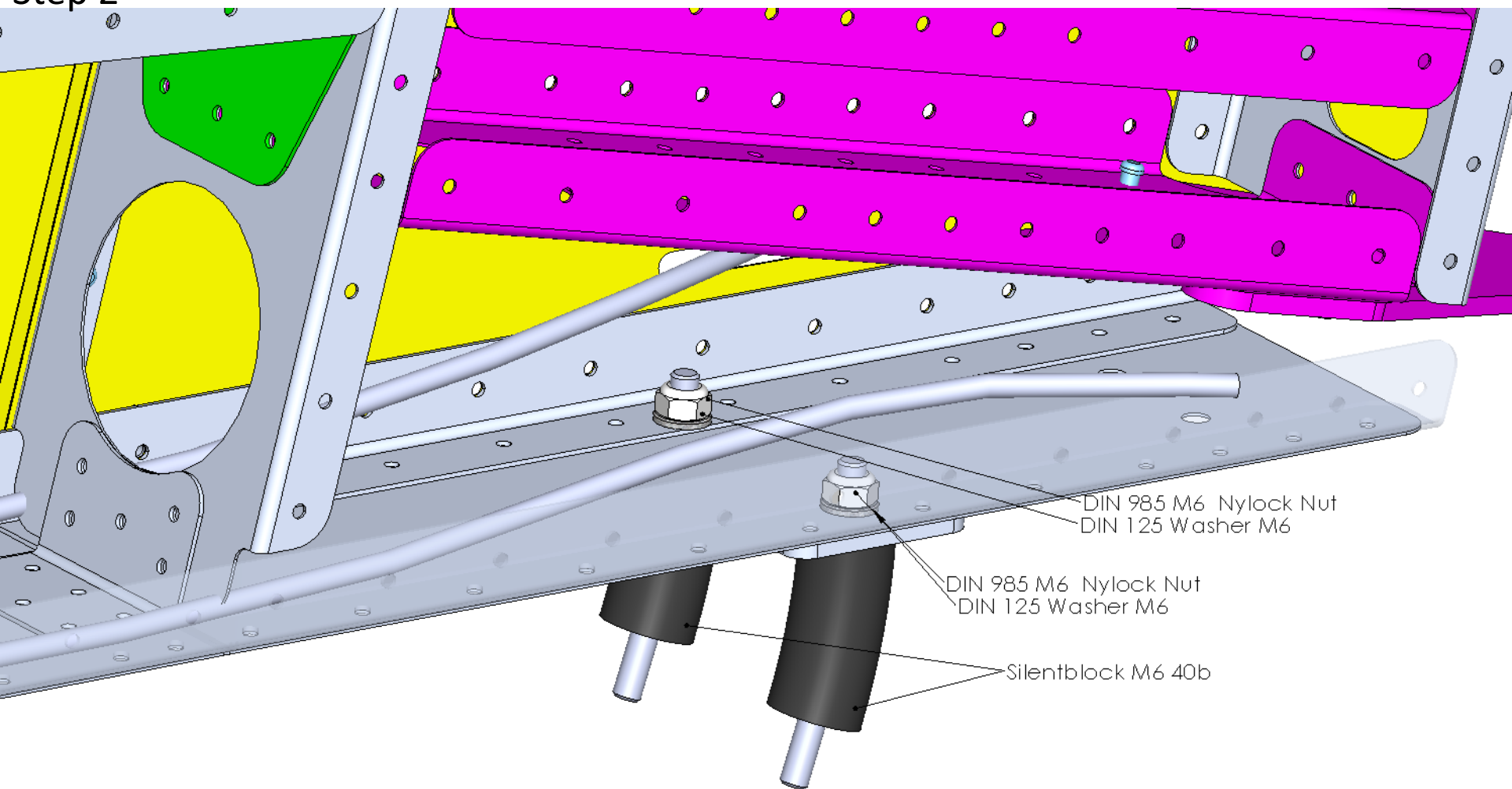
Step 1



Title	Document no.	Revision	Page	Pages
Fuselage assembly manual	D2_F0_00	Rev. 05	292	406



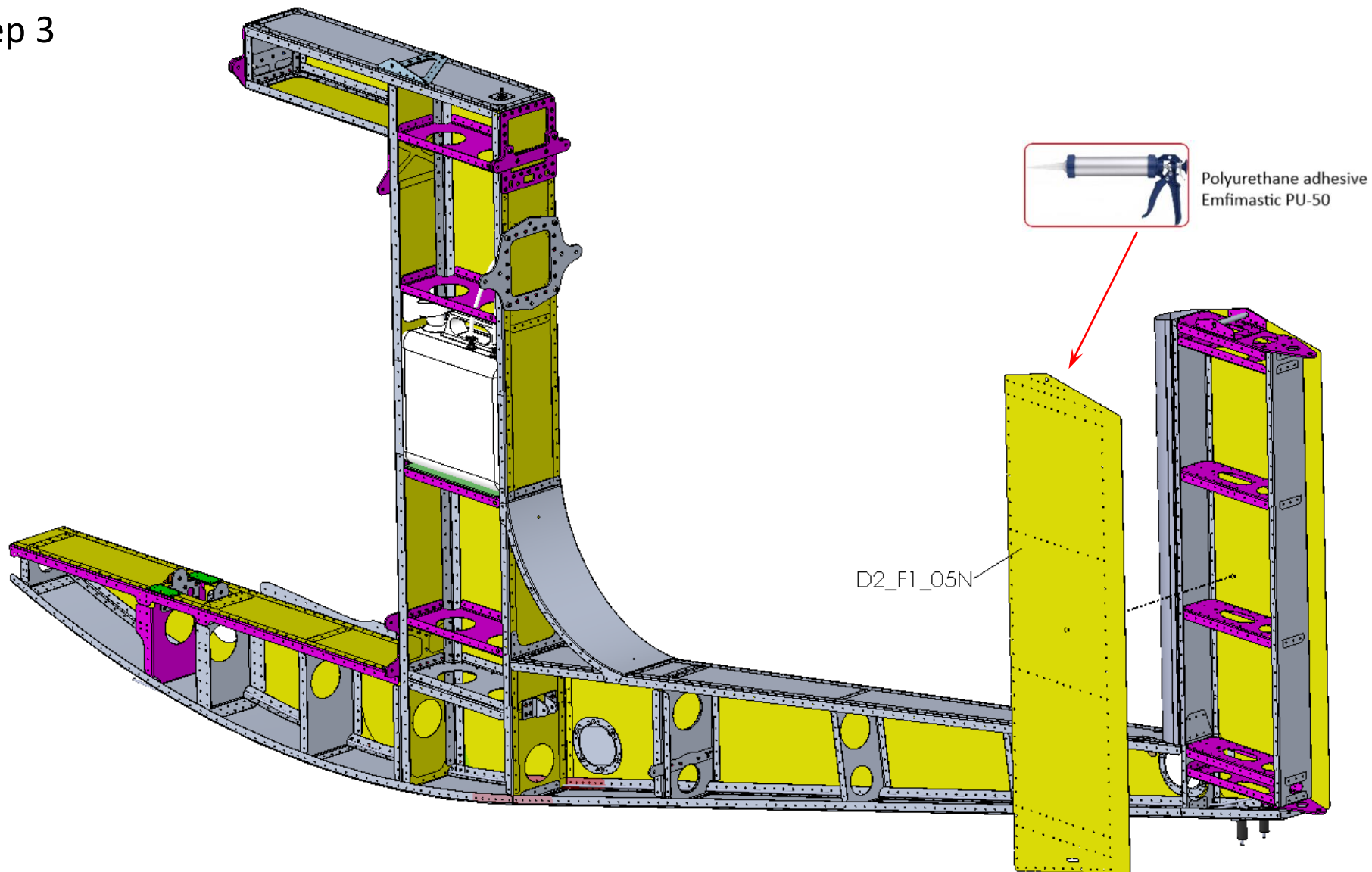
Step 2



Title	Document no.	Revision	Page	Pages
Fuselage assembly manual	D2_F0_00	Rev. 05	293	406



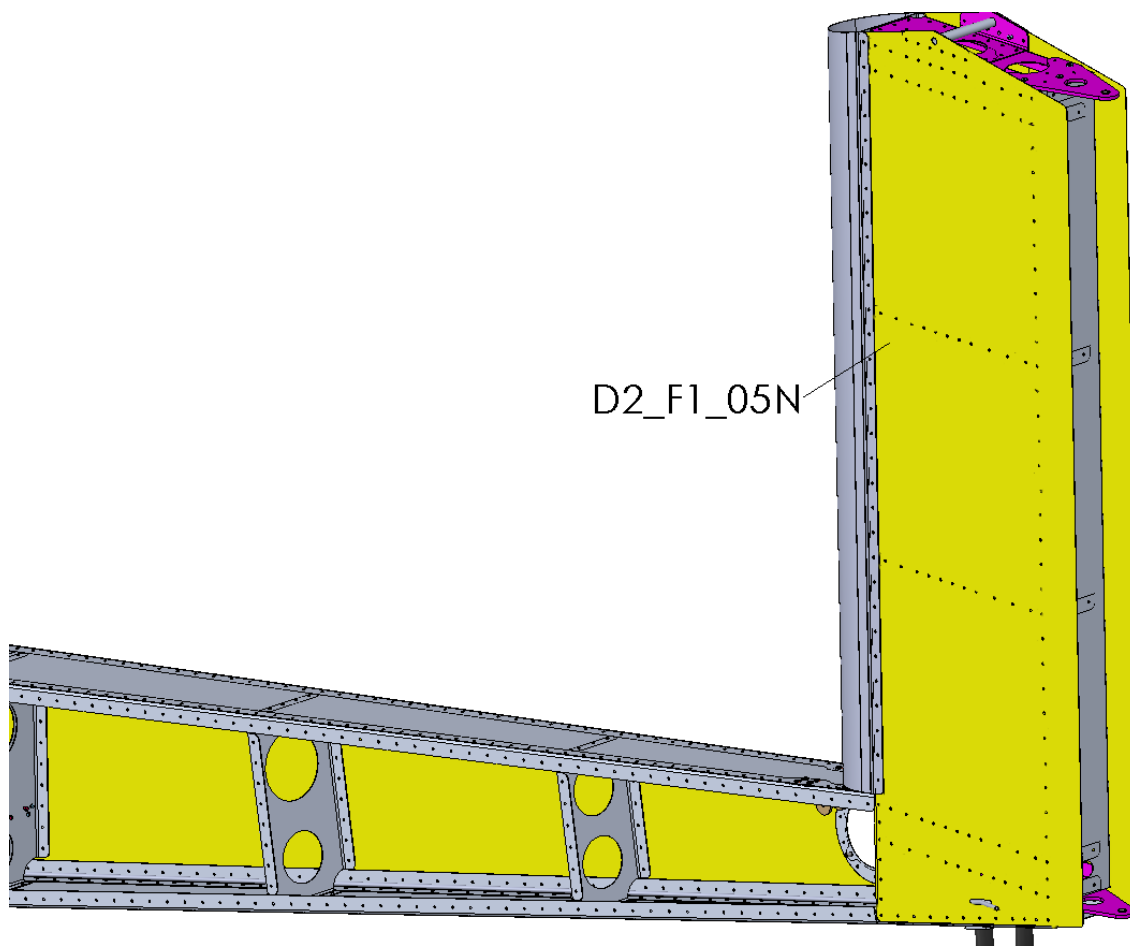
Step 3



Title	Document no.	Revision	Page	Pages
Fuselage assembly manual	D2_F0_00	Rev. 05	294	406



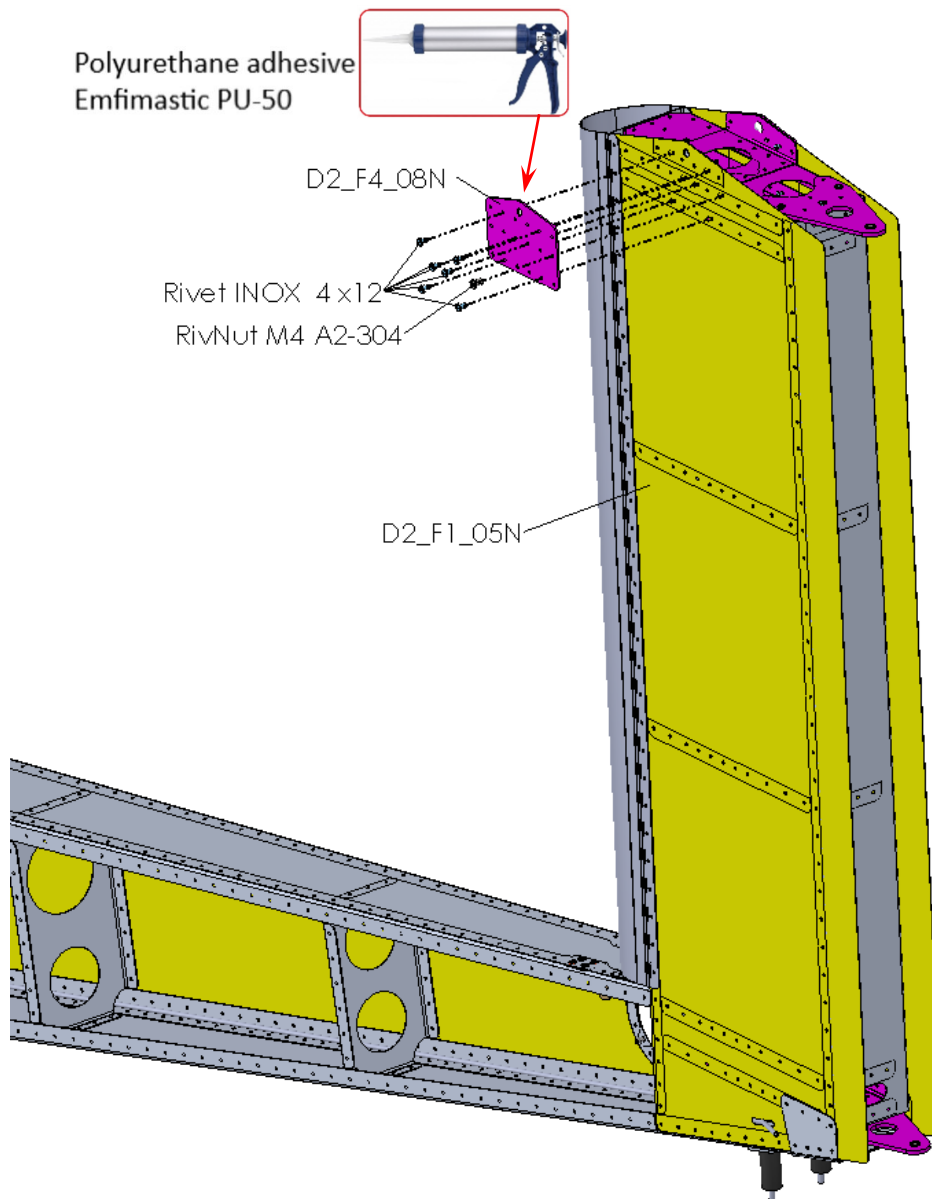
Step 4



Title	Document no.	Revision	Page	Pages
Fuselage assembly manual	D2_F0_00	Rev. 05	295	406



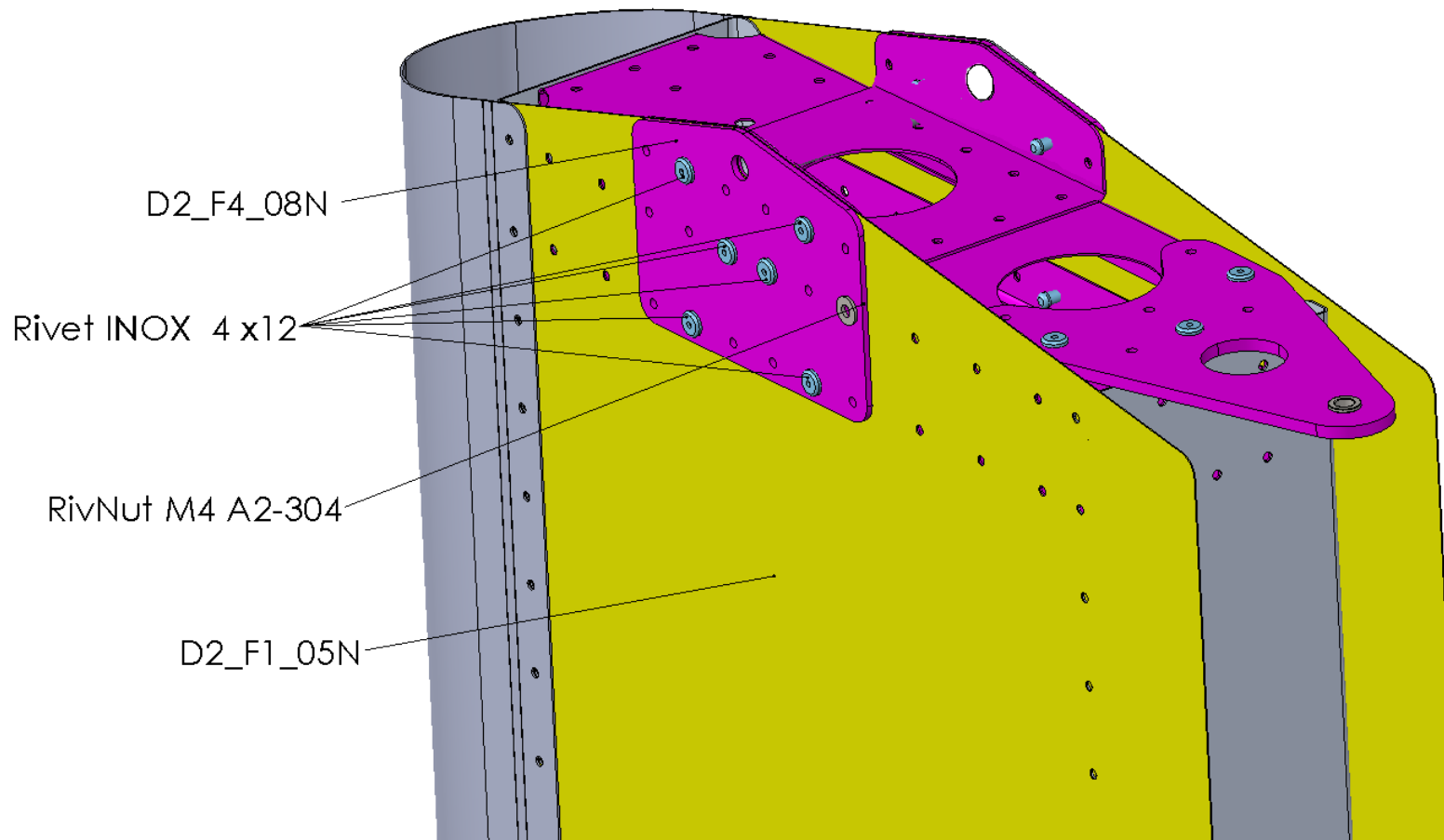
Step 5



Title	Document no.	Revision	Page	Pages
Fuselage assembly manual	D2_F0_00	Rev. 05	296	406



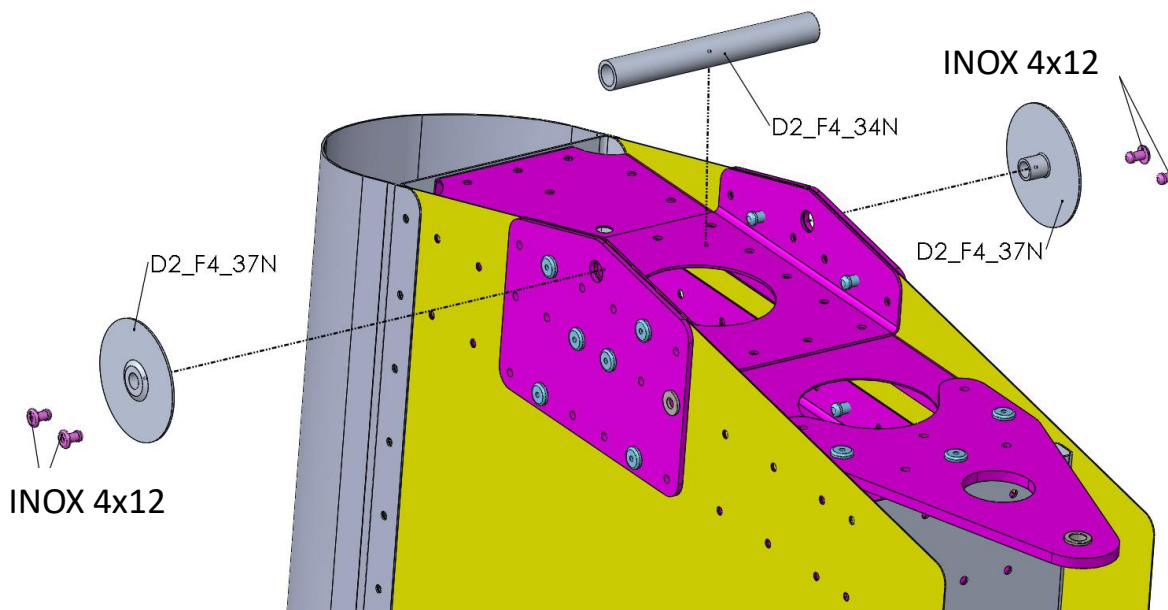
Step 6



Title	Document no.	Revision	Page	Pages
Fuselage assembly manual	D2_F0_00	Rev. 05	297	406



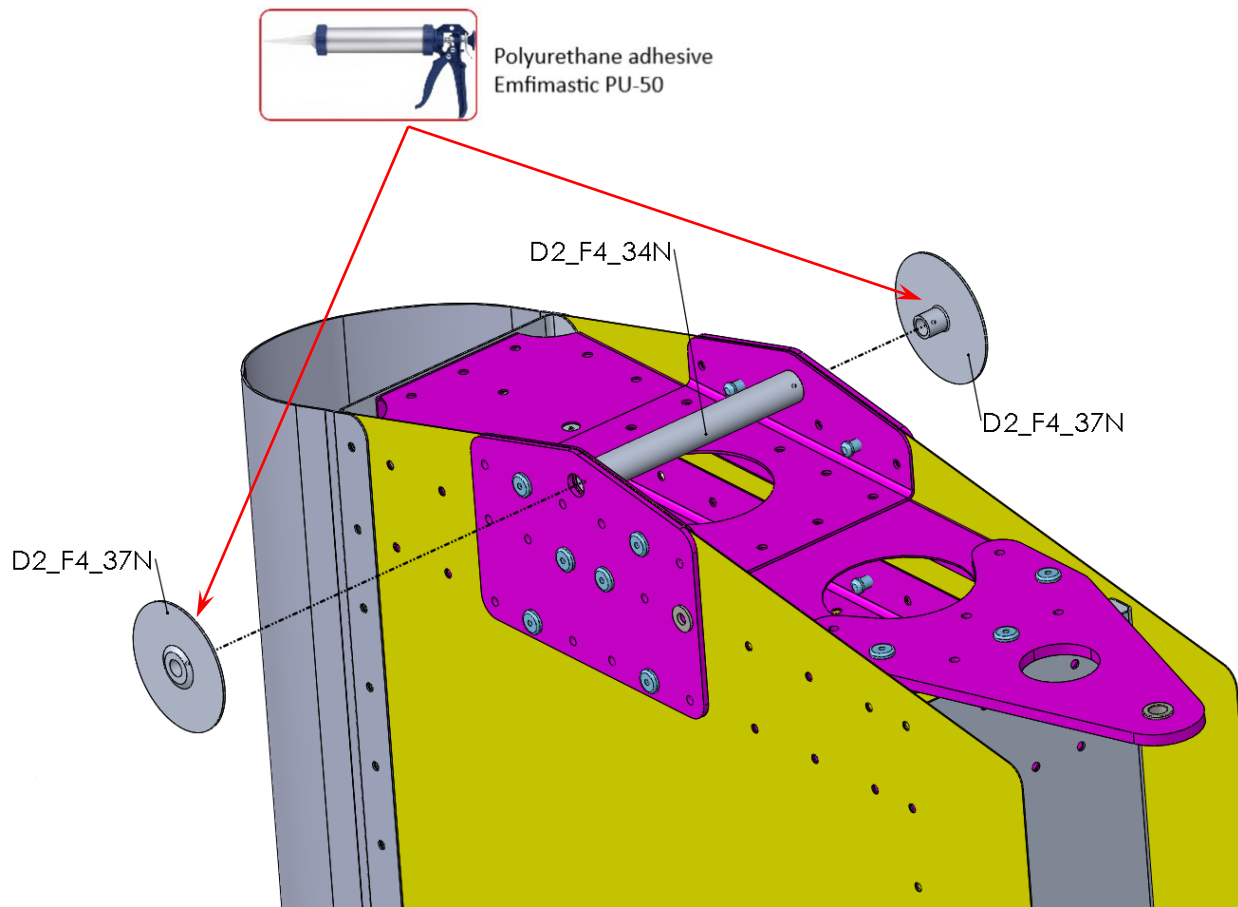
Step 7



Title	Document no.	Revision	Page	Pages
Fuselage assembly manual	D2_F0_00	Rev. 05	298	406



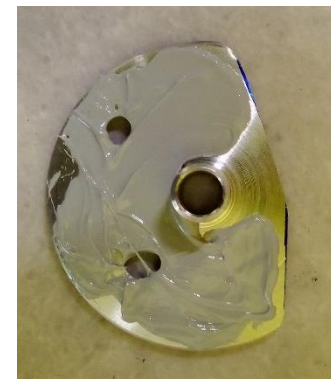
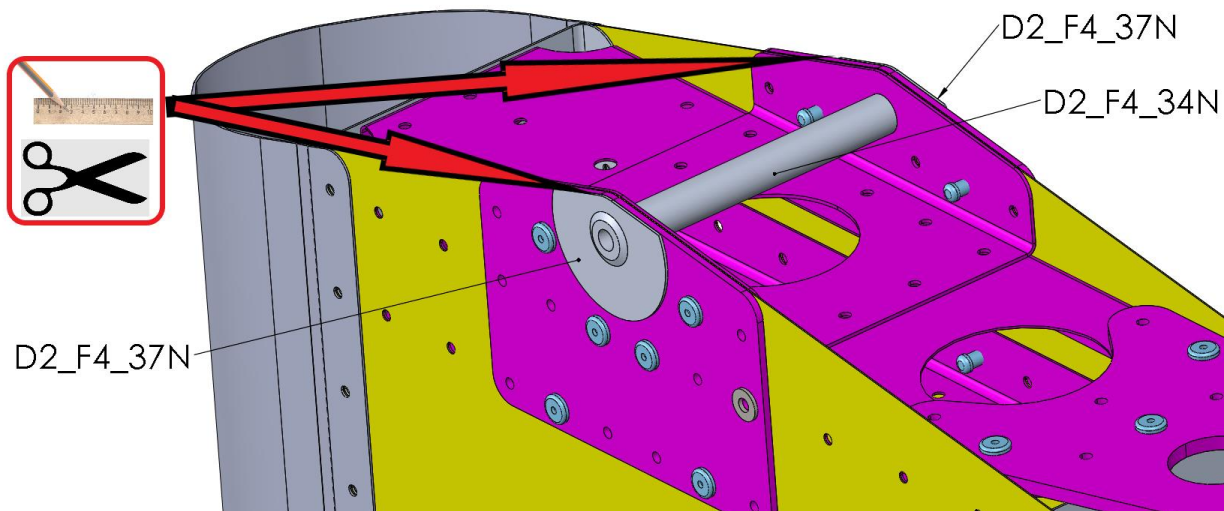
Step 8



Title	Document no.	Revision	Page	Pages
Fuselage assembly manual	D2_F0_00	Rev. 05	299	406



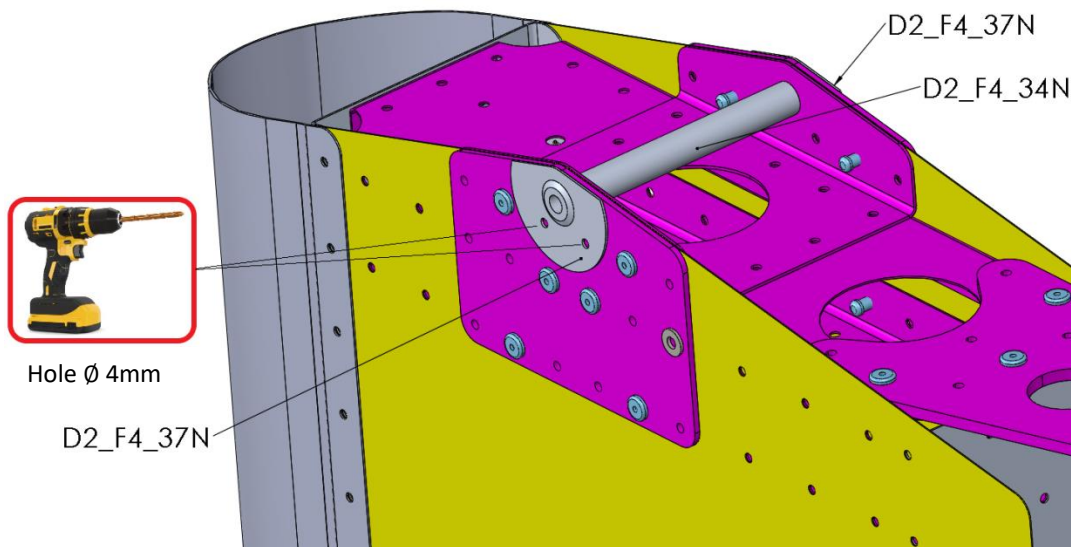
Step 9



Title	Document no.	Revision	Page	Pages
Fuselage assembly manual	D2_F0_00	Rev. 05	300	406



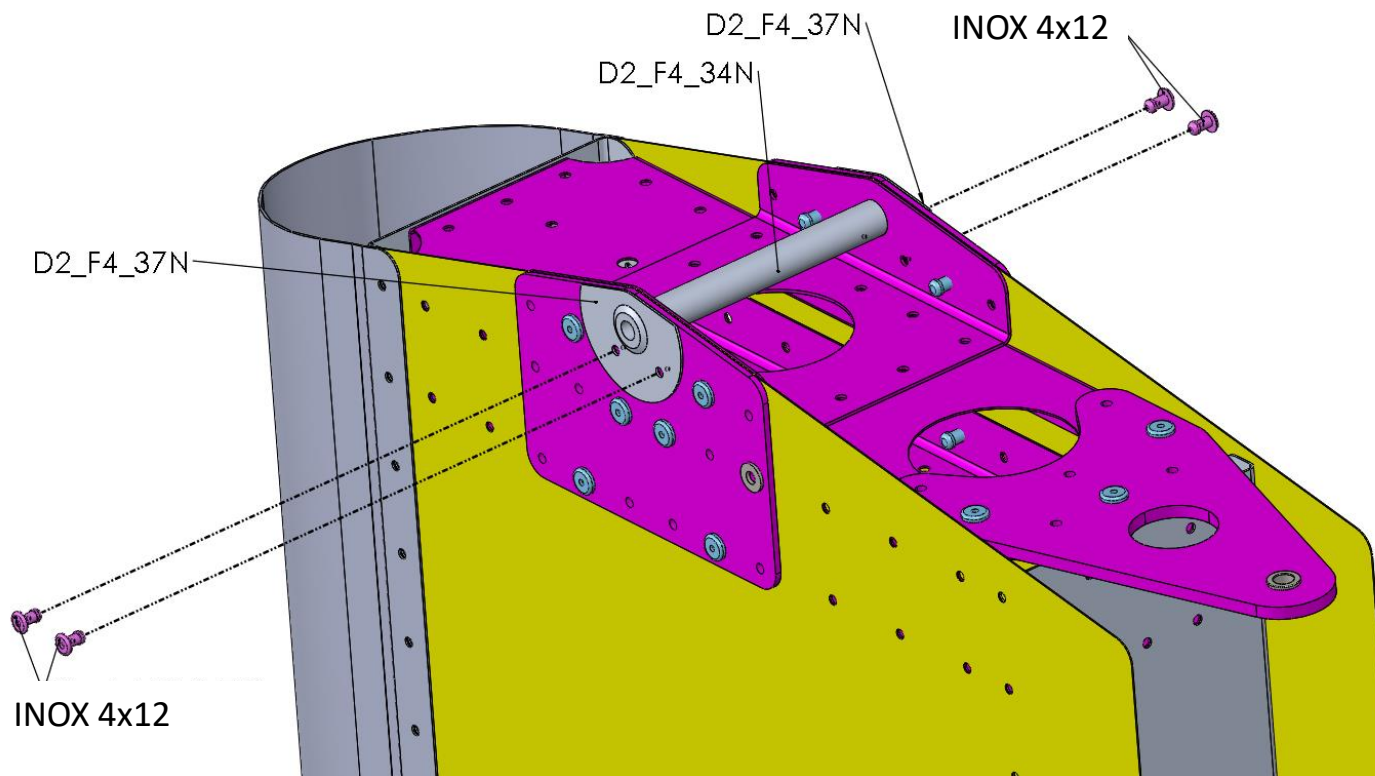
Step 10



Title	Document no.	Revision	Page	Pages
Fuselage assembly manual	D2_F0_00	Rev. 05	301	406



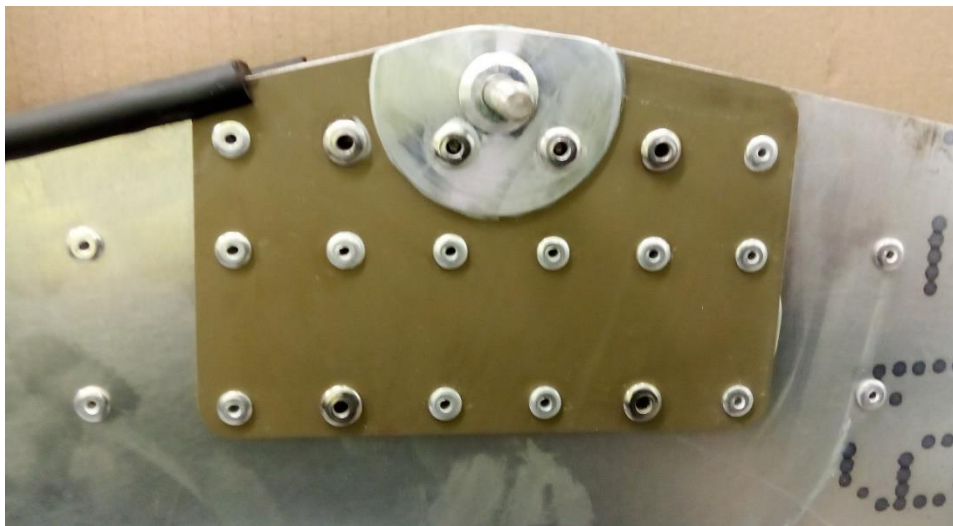
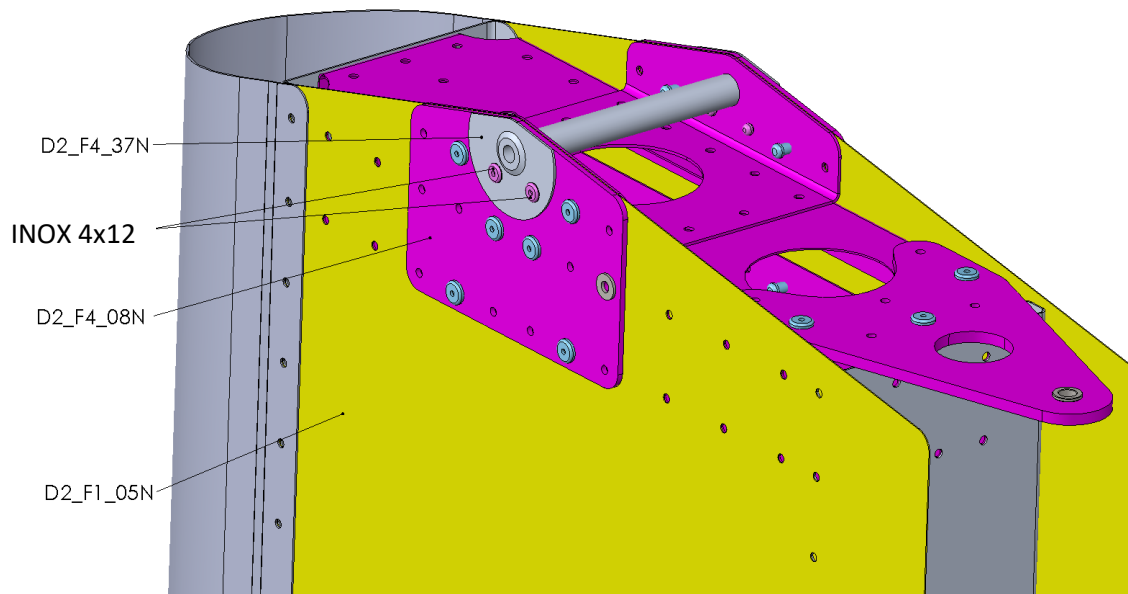
Step 11



Title	Document no.	Revision	Page	Pages
Fuselage assembly manual	D2_F0_00	Rev. 05	302	406



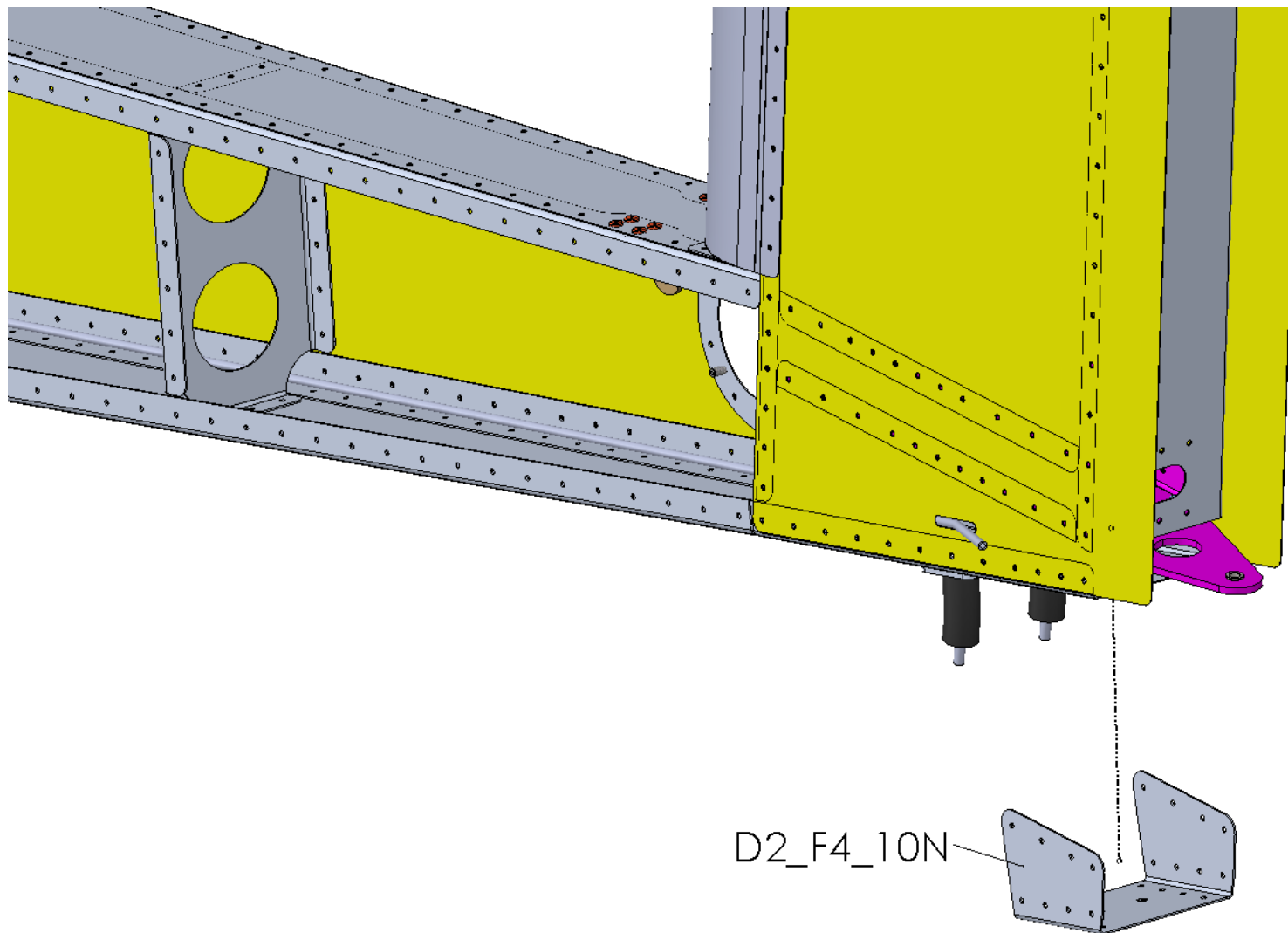
Step 12



Title	Document no.	Revision	Page	Pages
Fuselage assembly manual	D2_F0_00	Rev. 05	303	406



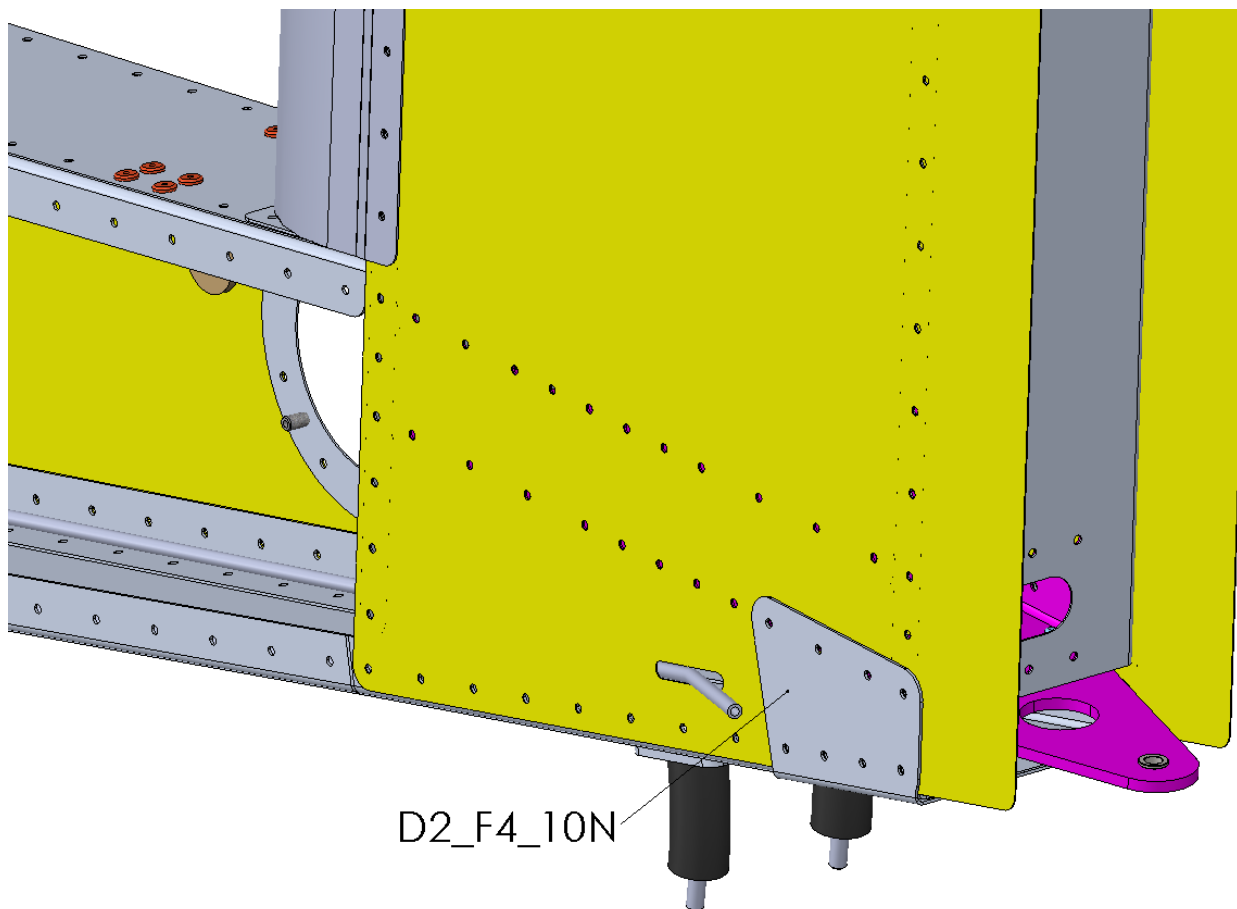
Step 13



Title	Document no.	Revision	Page	Pages
Fuselage assembly manual	D2_F0_00	Rev. 05	304	406



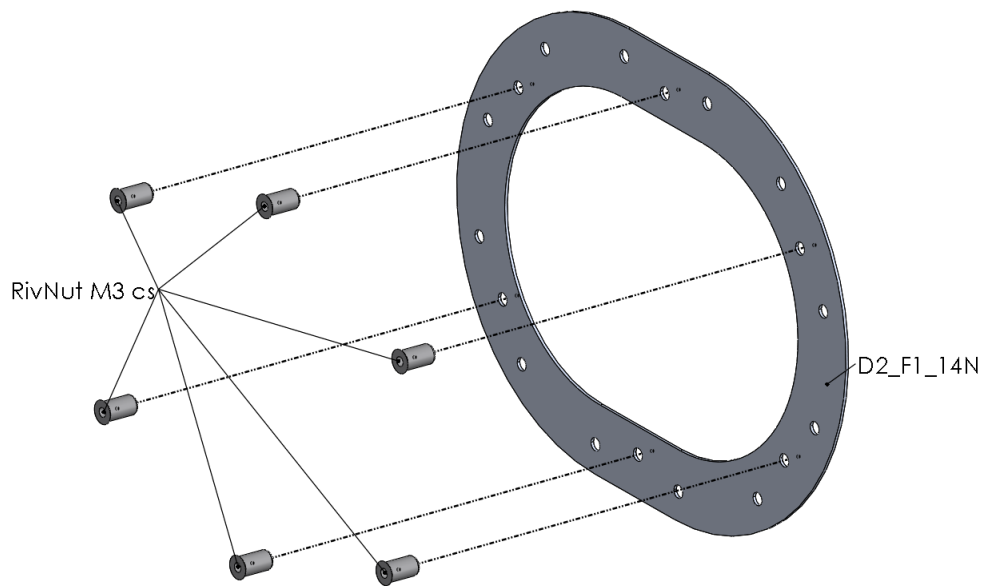
Step 14



Title	Document no.	Revision	Page	Pages
Fuselage assembly manual	D2_F0_00	Rev. 05	305	406



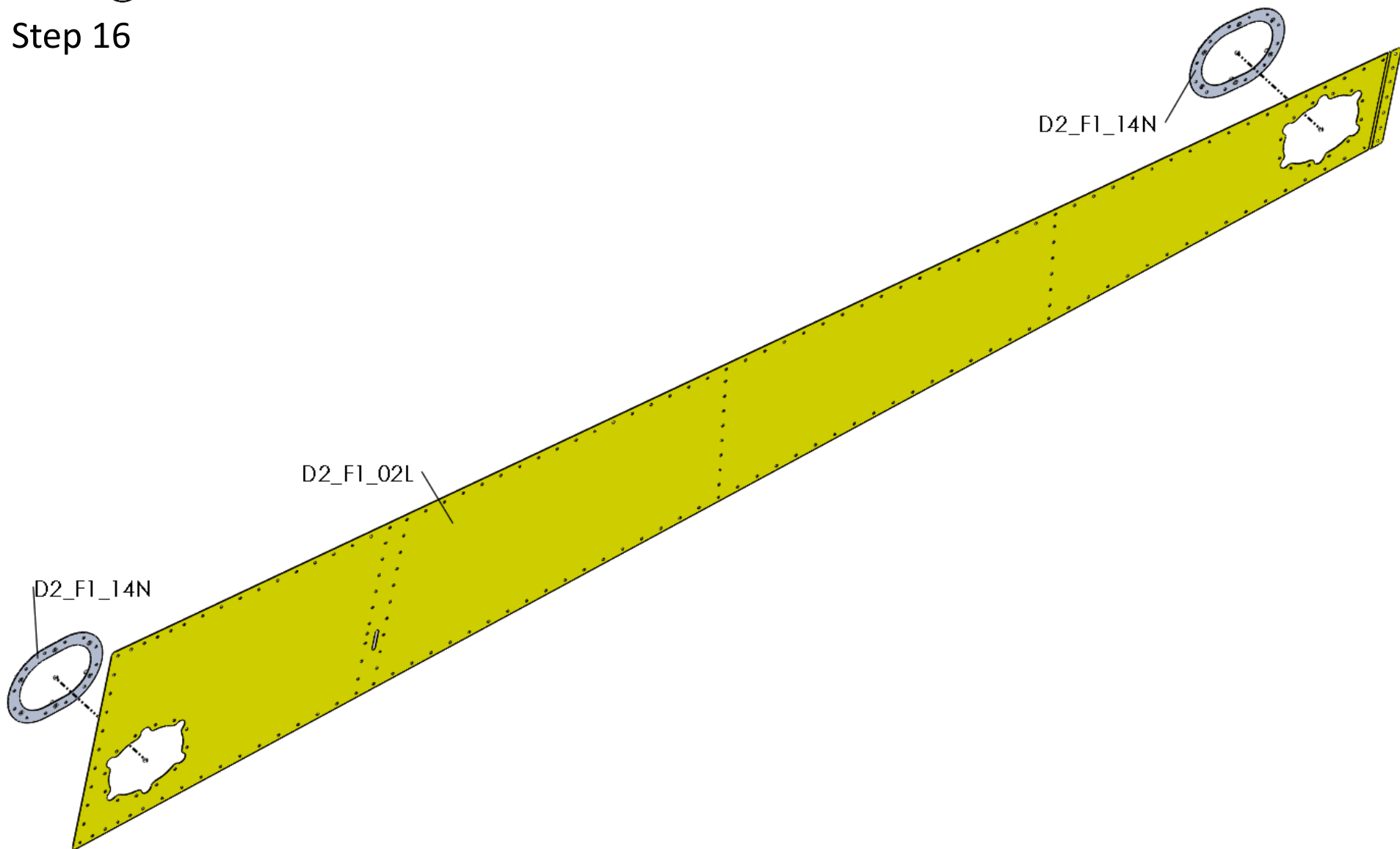
Step 15



Title	Document no.	Revision	Page	Pages
Fuselage assembly manual	D2_F0_00	Rev. 05	306	406



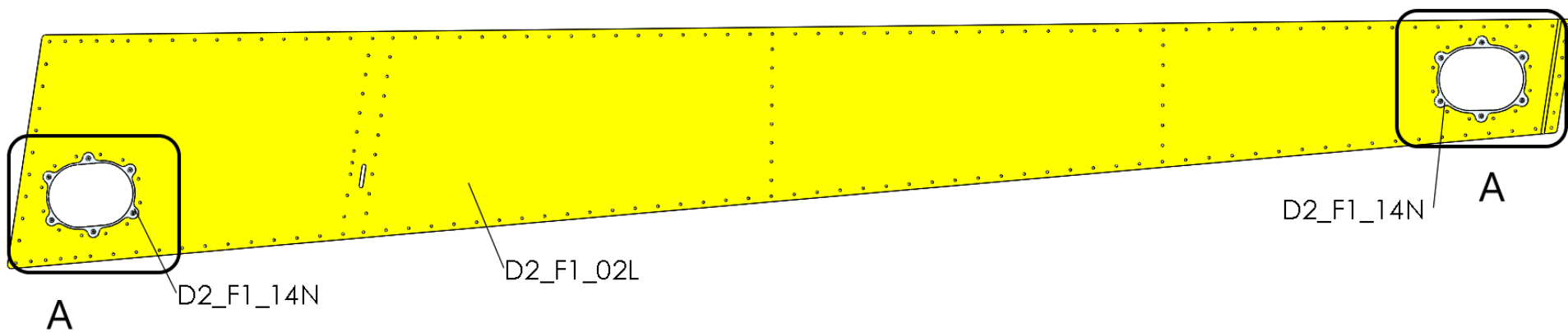
Step 16



Title	Document no.	Revision	Page	Pages
Fuselage assembly manual	D2_F0_00	Rev. 05	307	406



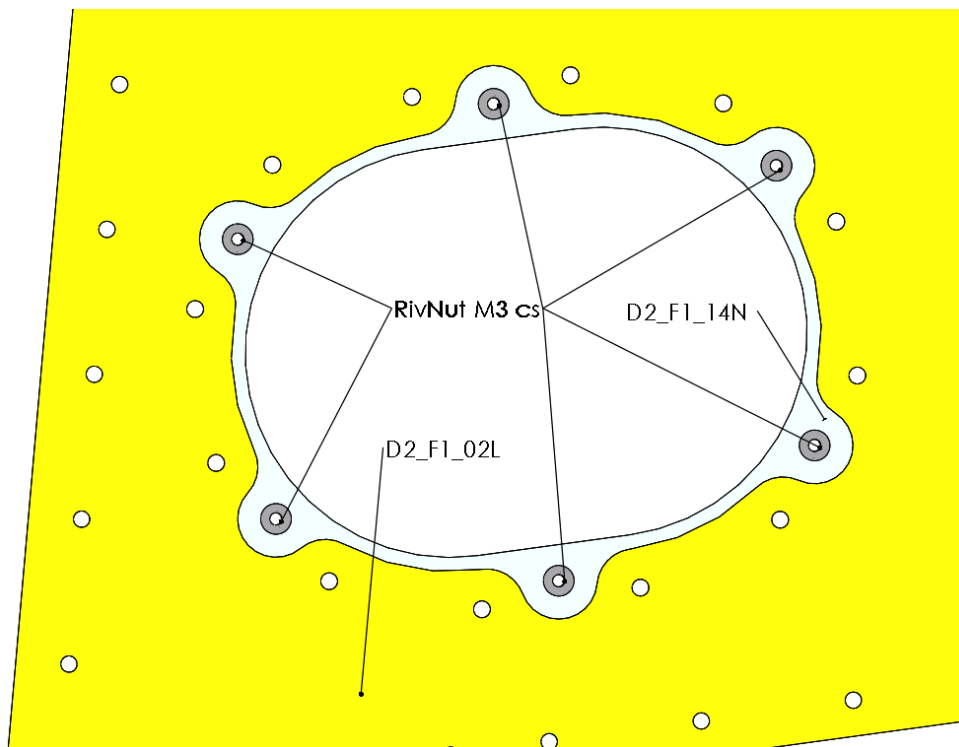
Step 17



Title	Document no.	Revision	Page	Pages
Fuselage assembly manual	D2_F0_00	Rev. 05	308	406



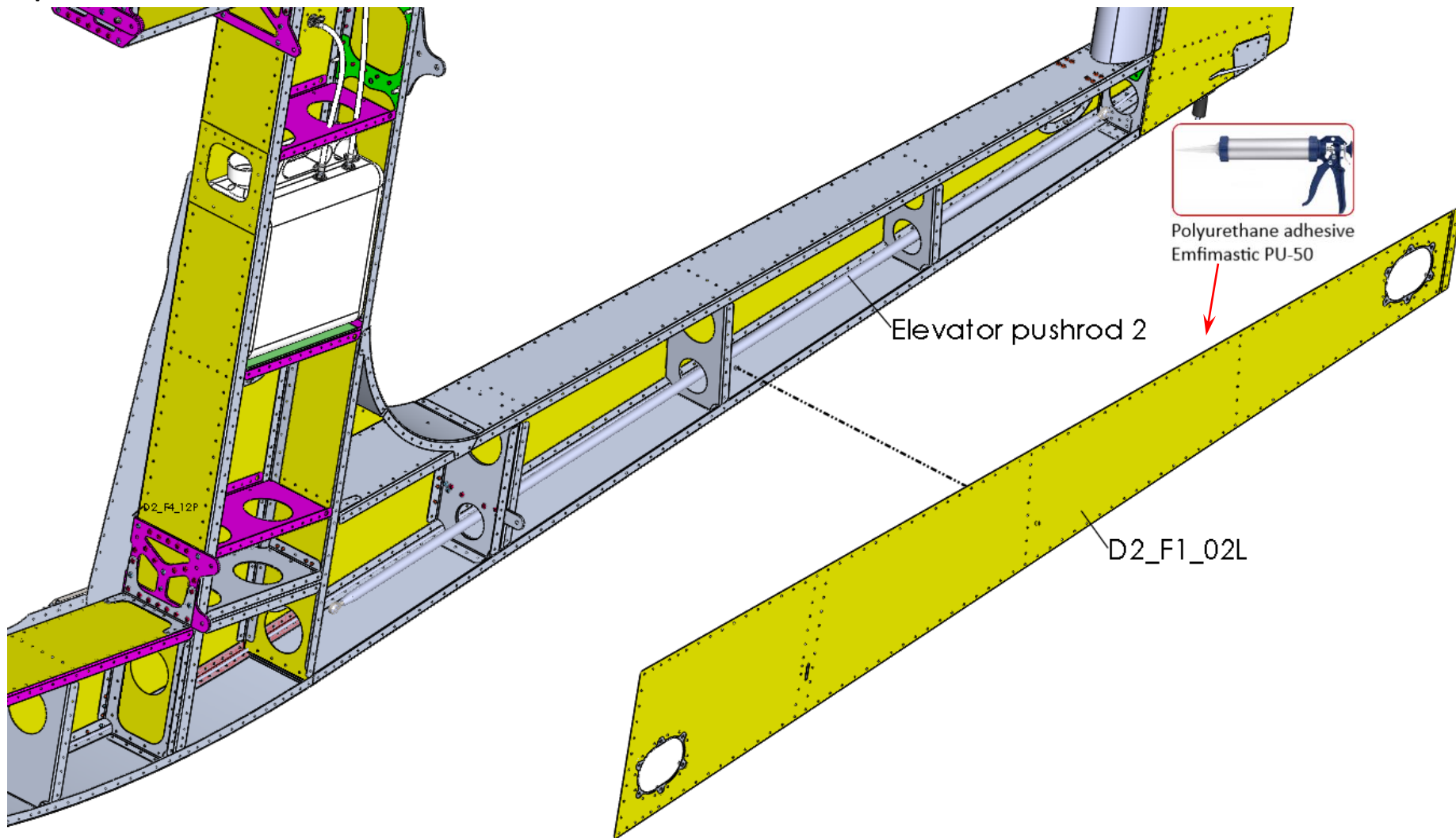
Step 17-A



Title	Document no.	Revision	Page	Pages
Fuselage assembly manual	D2_F0_00	Rev. 05	309	406



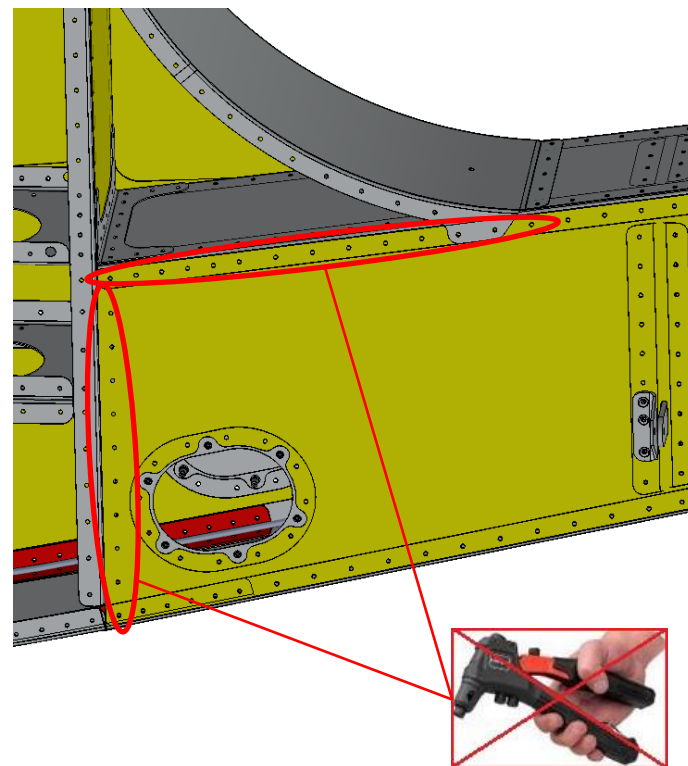
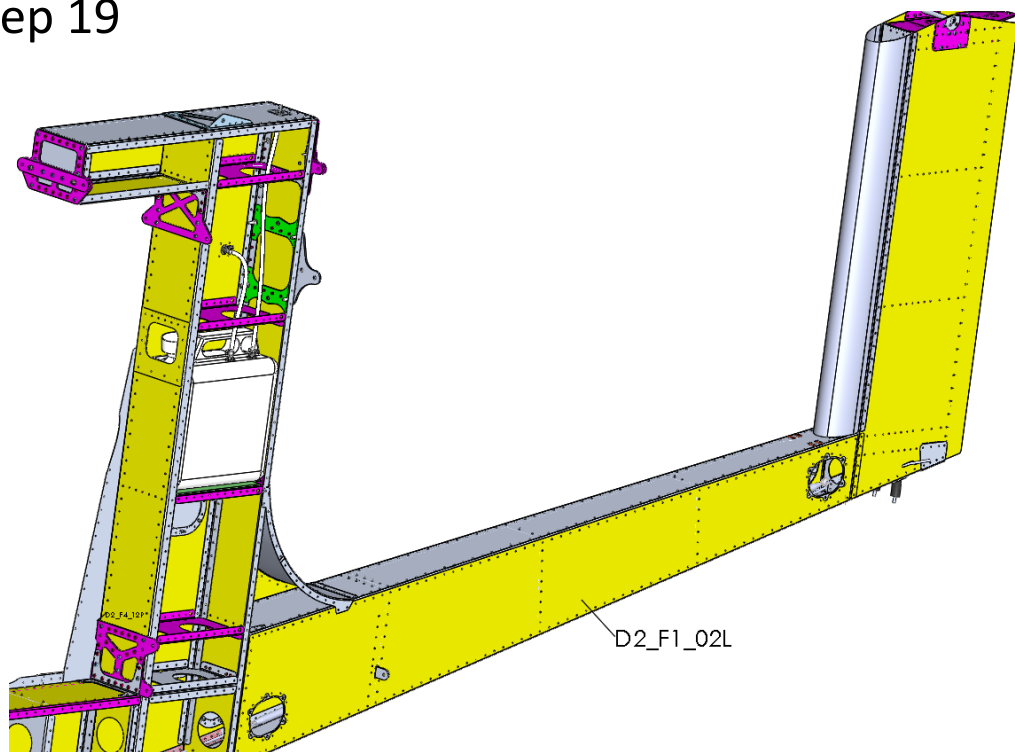
Step 18



Title	Document no.	Revision	Page	Pages
Fuselage assembly manual	D2_F0_00	Rev. 05	310	406



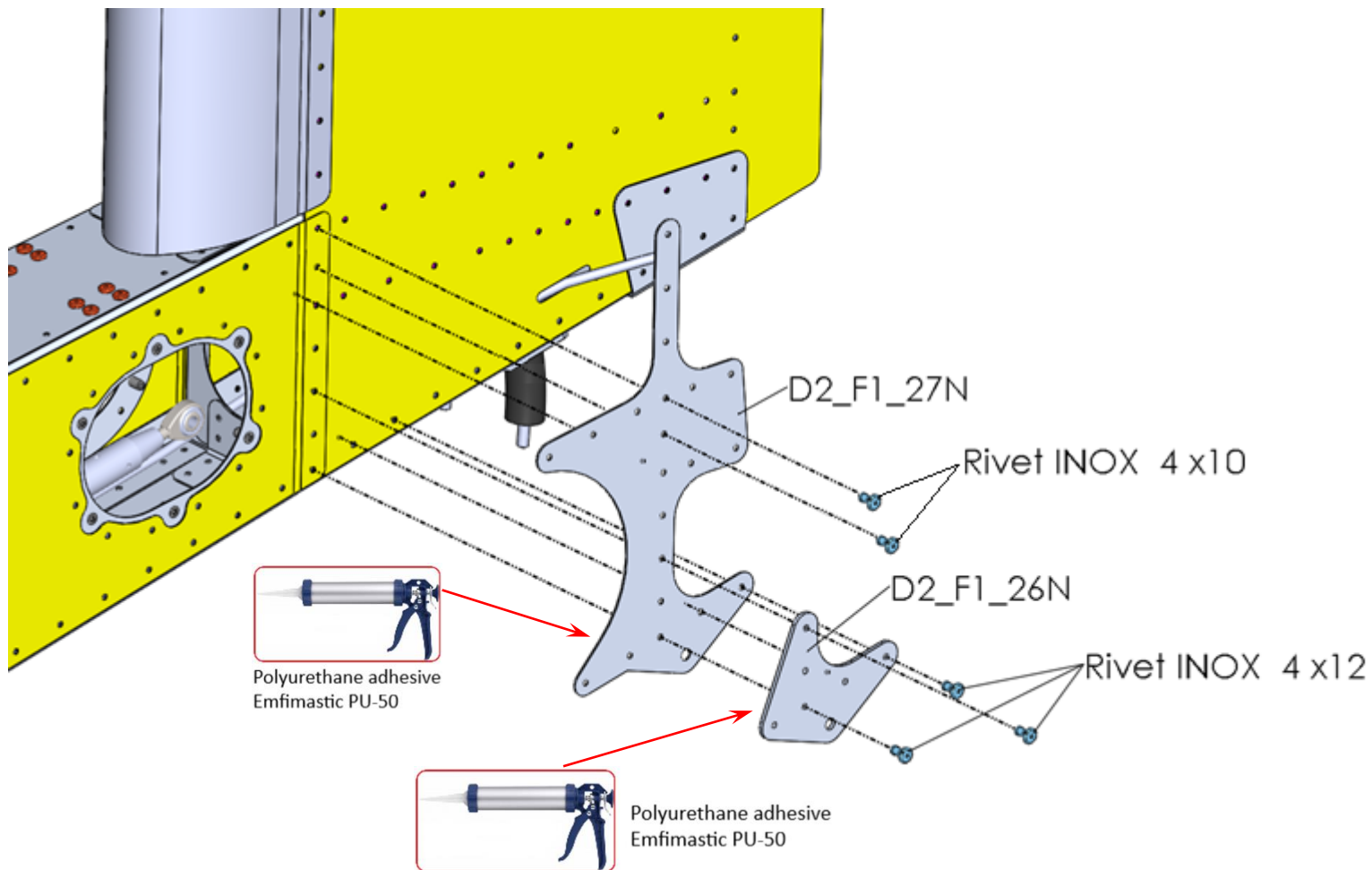
Step 19



Title	Document no.	Revision	Page	Pages
Fuselage assembly manual	D2_F0_00	Rev. 05	311	406



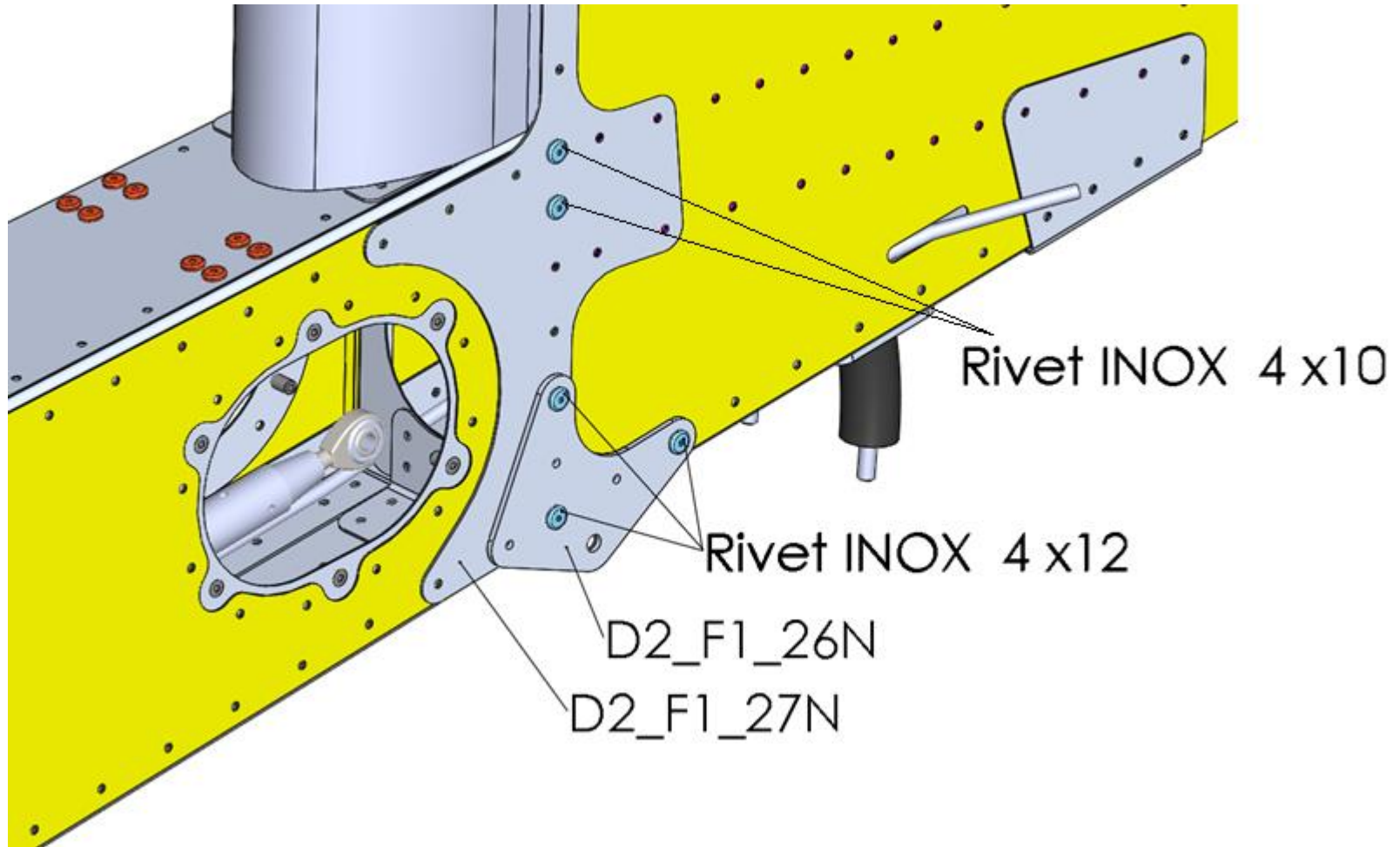
Step 20



Title	Document no.	Revision	Page	Pages
Fuselage assembly manual	D2_F0_00	Rev. 05	312	406



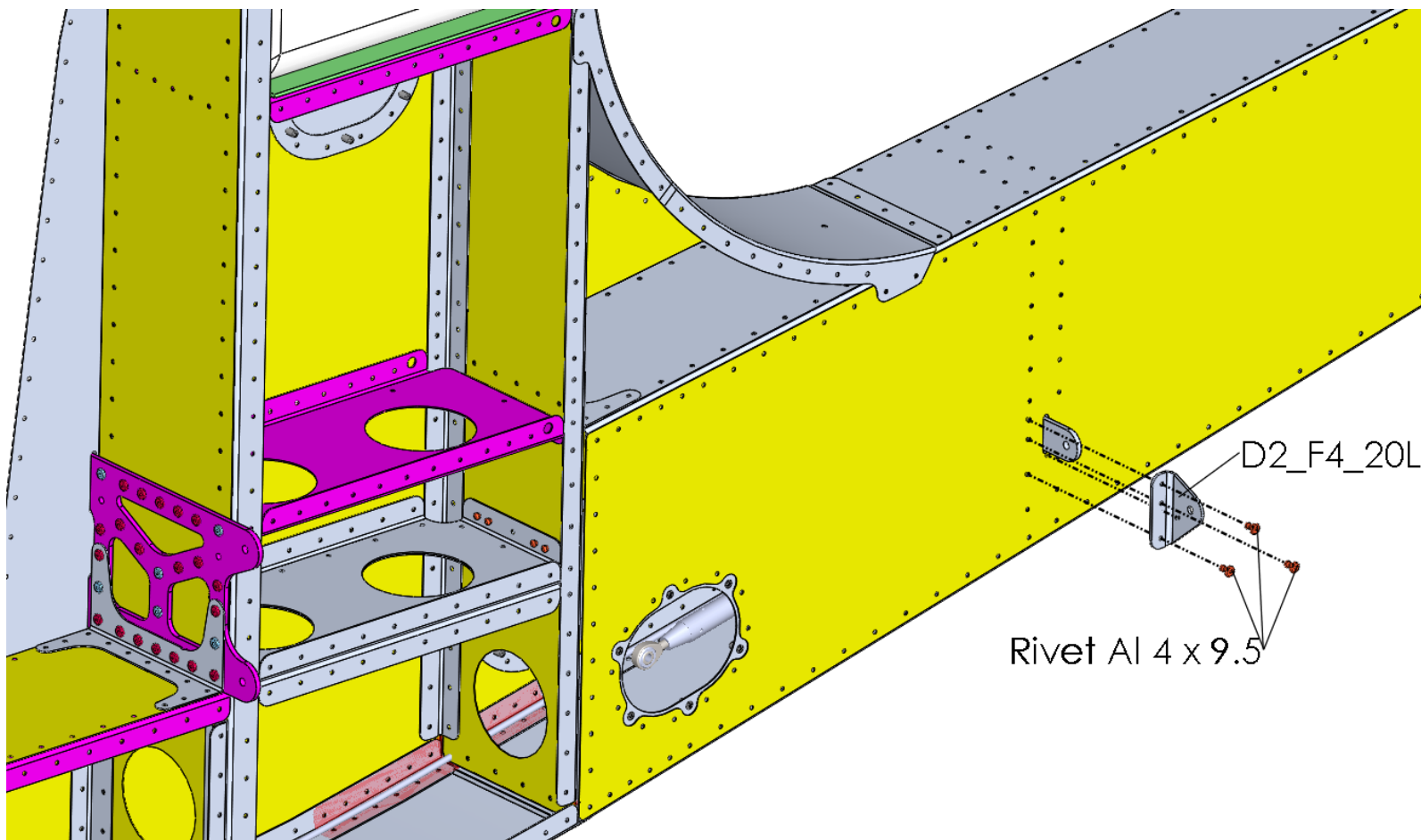
Step 21



Title	Document no.	Revision	Page	Pages
Fuselage assembly manual	D2_F0_00	Rev. 05	313	406



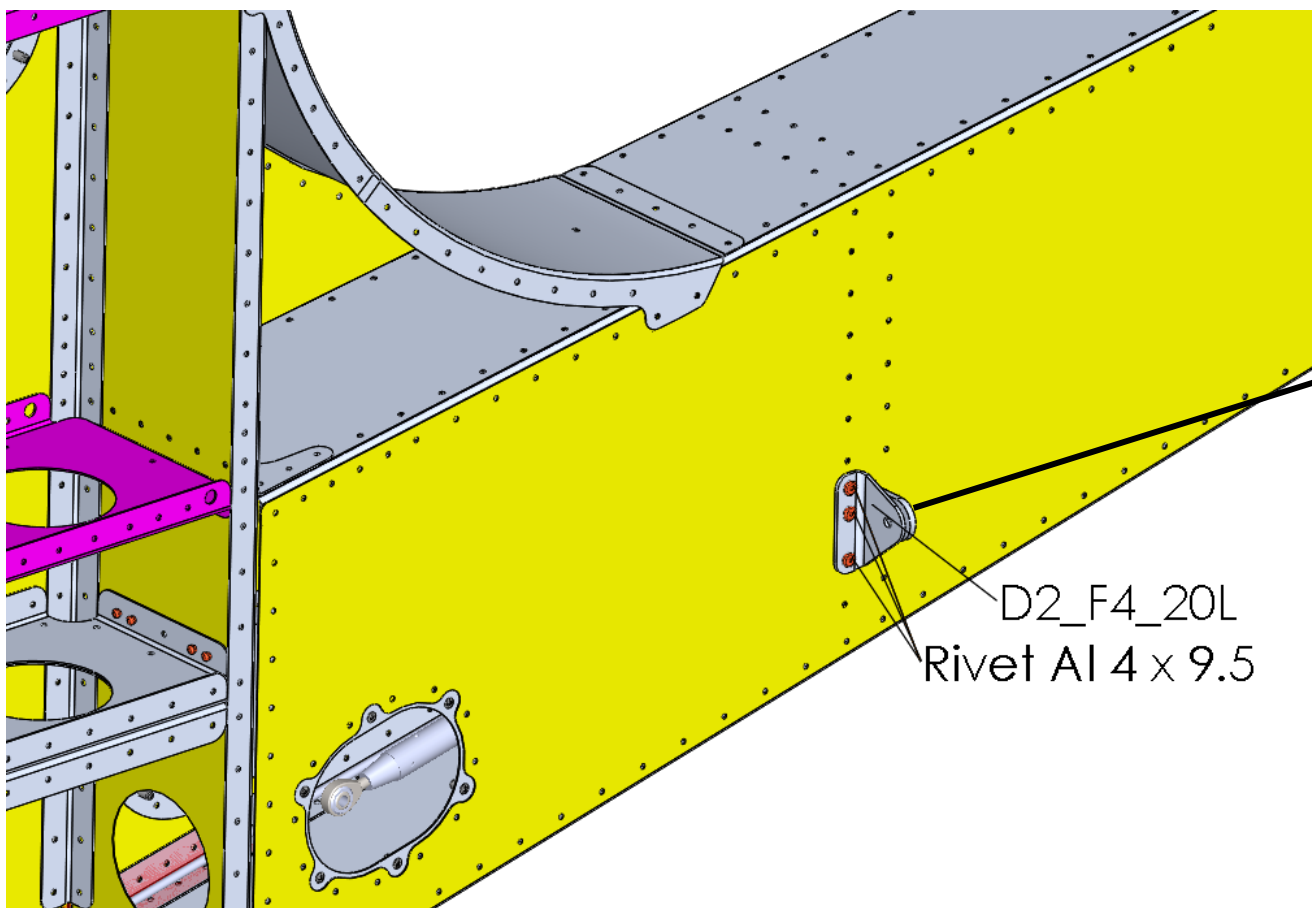
Step 22



Title	Document no.	Revision	Page	Pages
Fuselage assembly manual	D2_F0_00	Rev. 05	314	406



Step 23



Hole 6mm

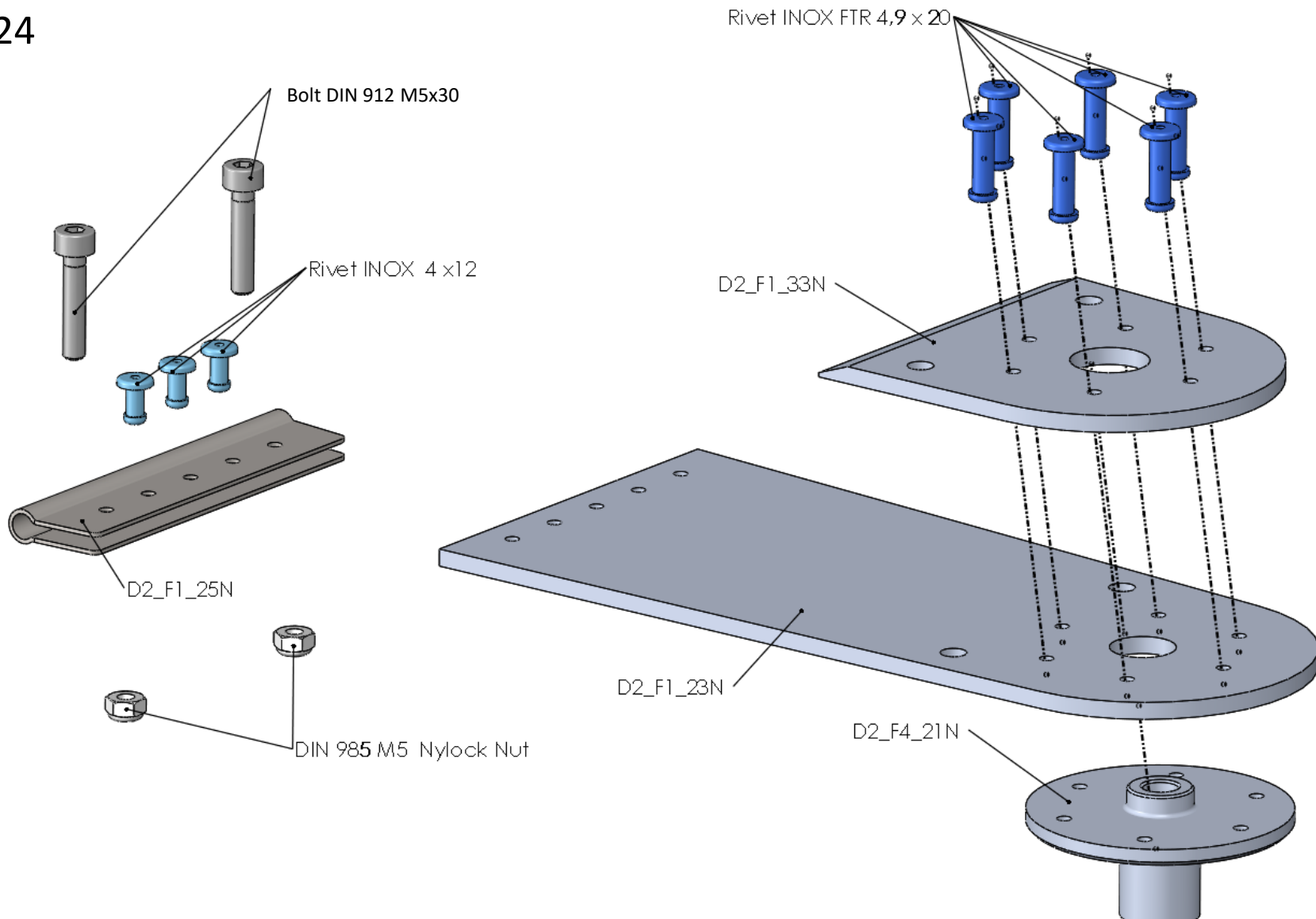


D2_F4_20L
Rivet Al 4 x 9.5

Title	Document no.	Revision	Page	Pages
Fuselage assembly manual	D2_F0_00	Rev. 05	315	406



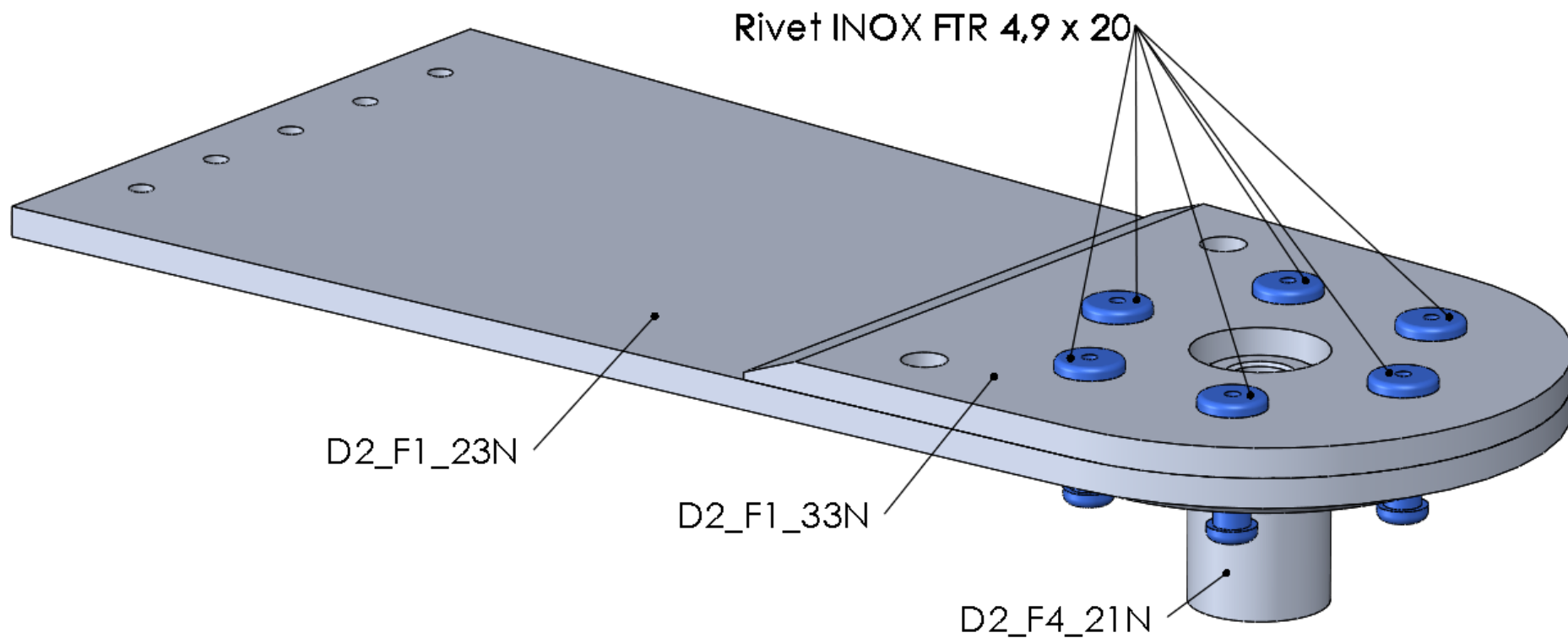
Step 24



Title	Document no.	Revision	Page	Pages
Fuselage assembly manual	D2_F0_00	Rev. 05	316	406



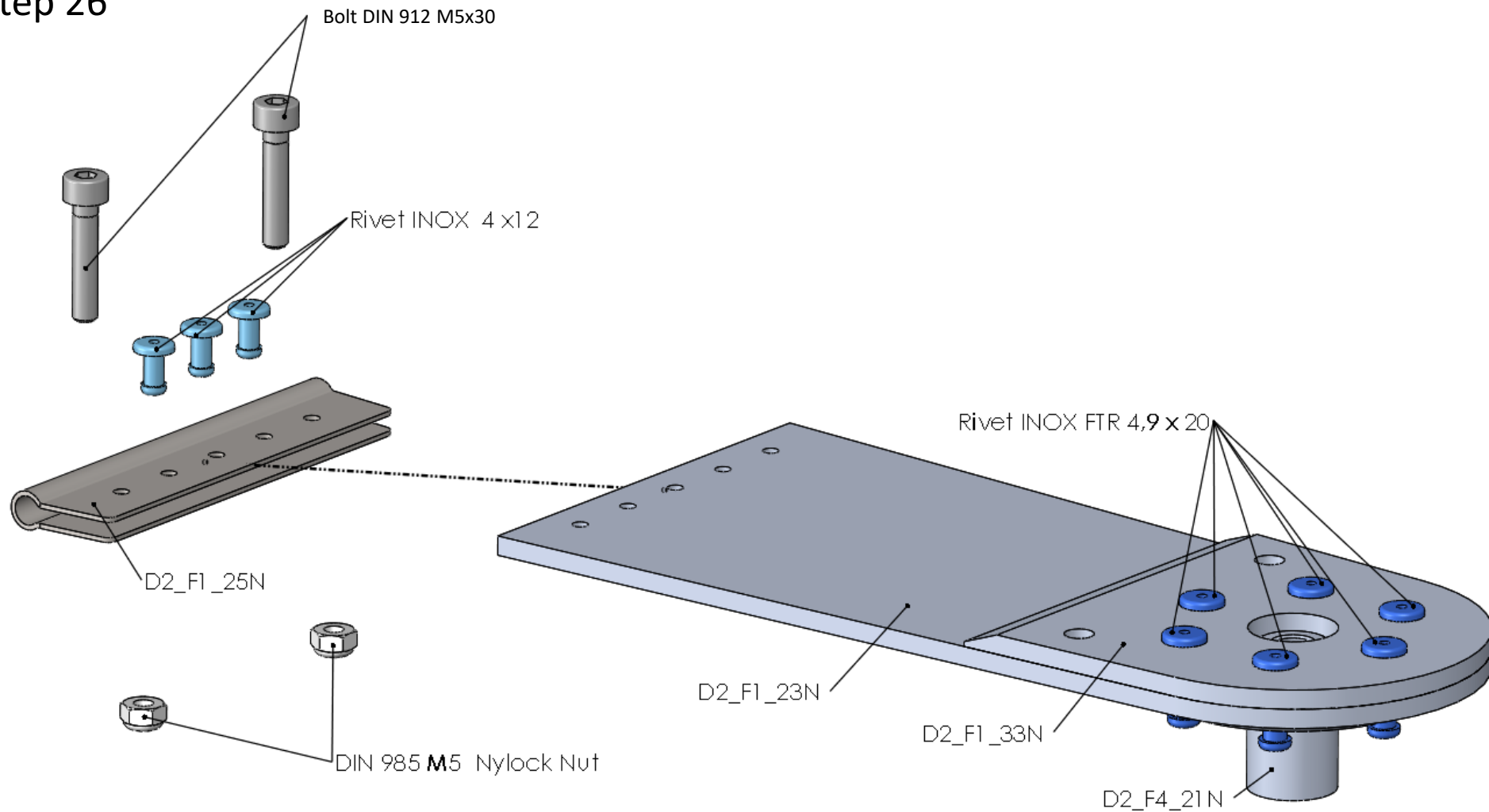
Step 25



Title	Document no.	Revision	Page	Pages
Fuselage assembly manual	D2_F0_00	Rev. 05	317	406



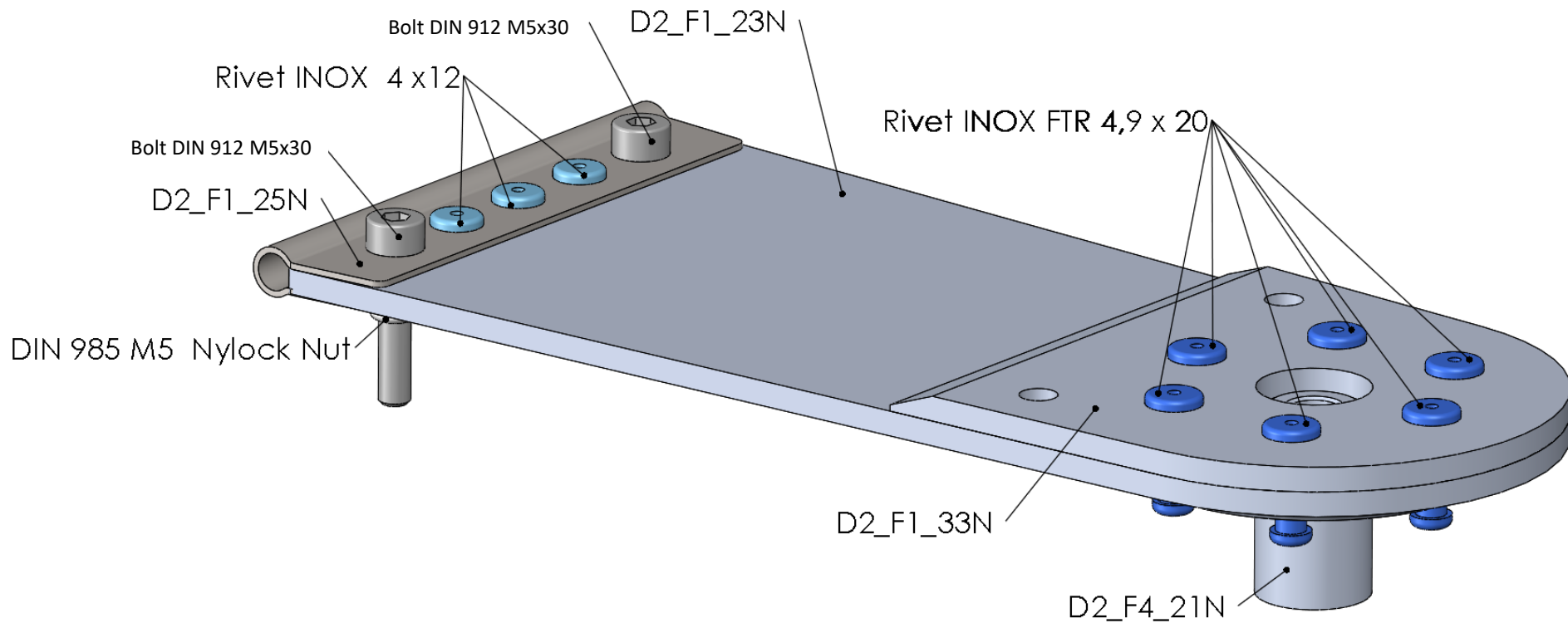
Step 26



Title	Document no.	Revision	Page	Pages
Fuselage assembly manual	D2_F0_00	Rev. 05	318	406



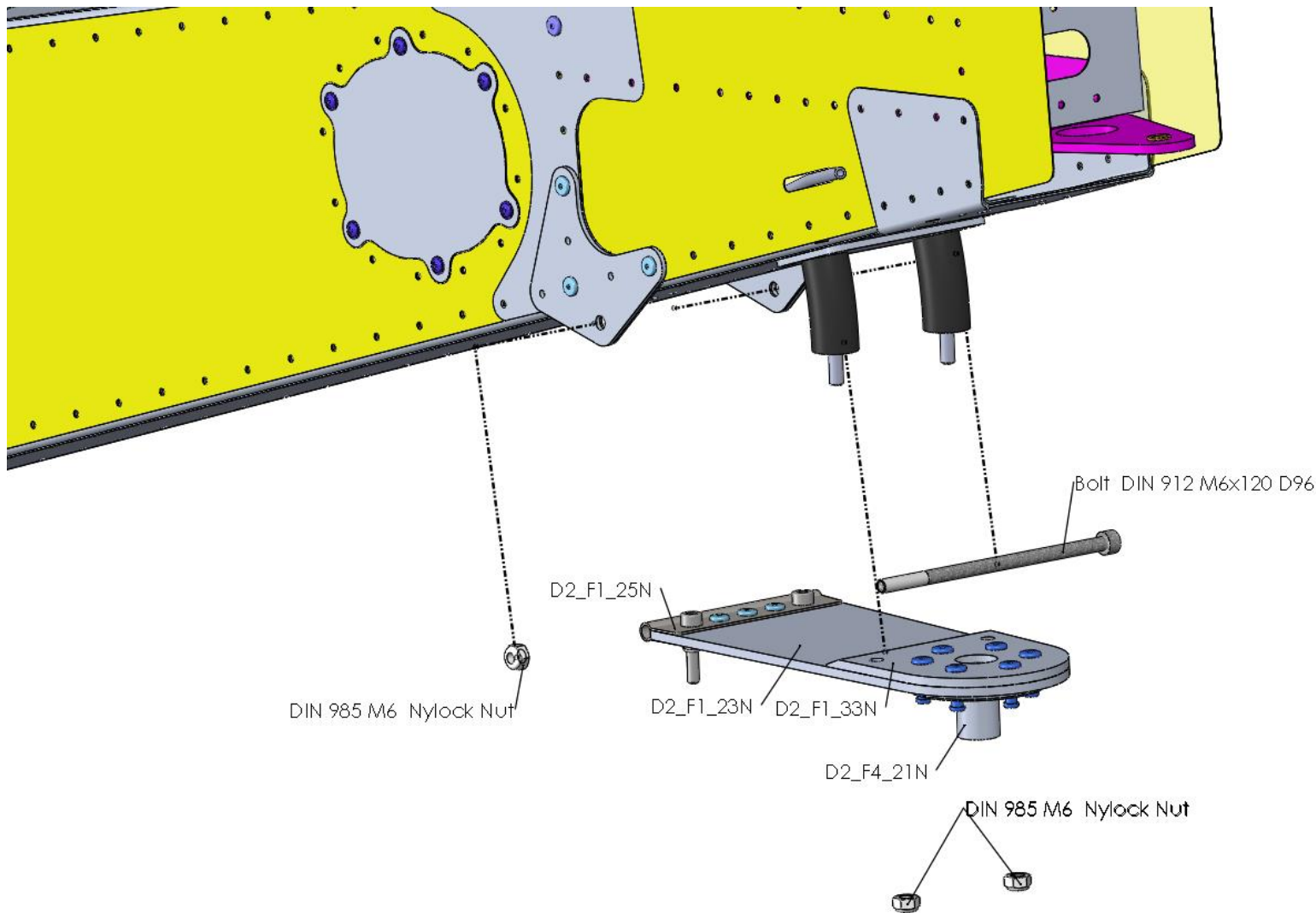
Step 27



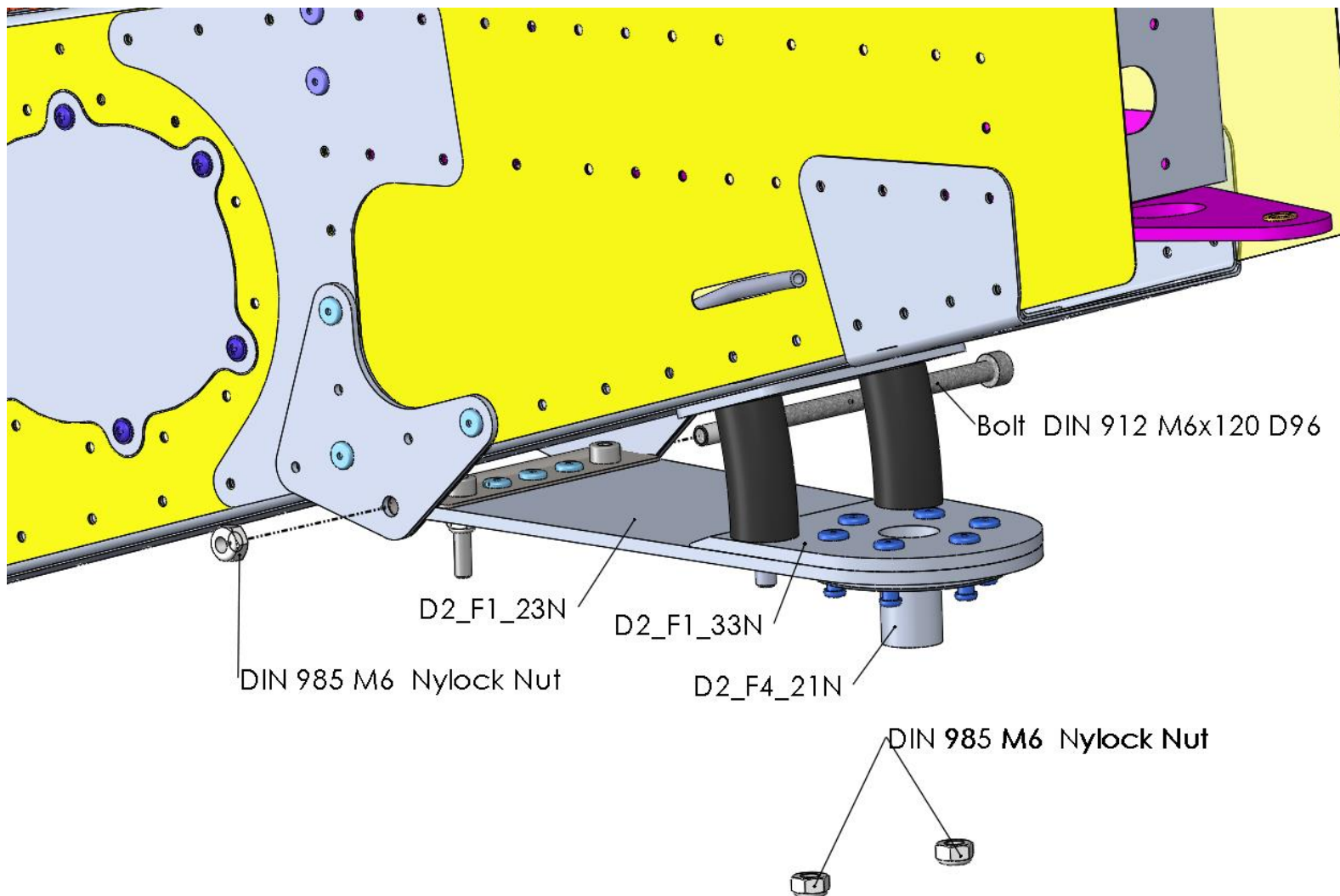
Title	Document no.	Revision	Page	Pages
Fuselage assembly manual	D2_F0_00	Rev. 05	319	406



Step 28



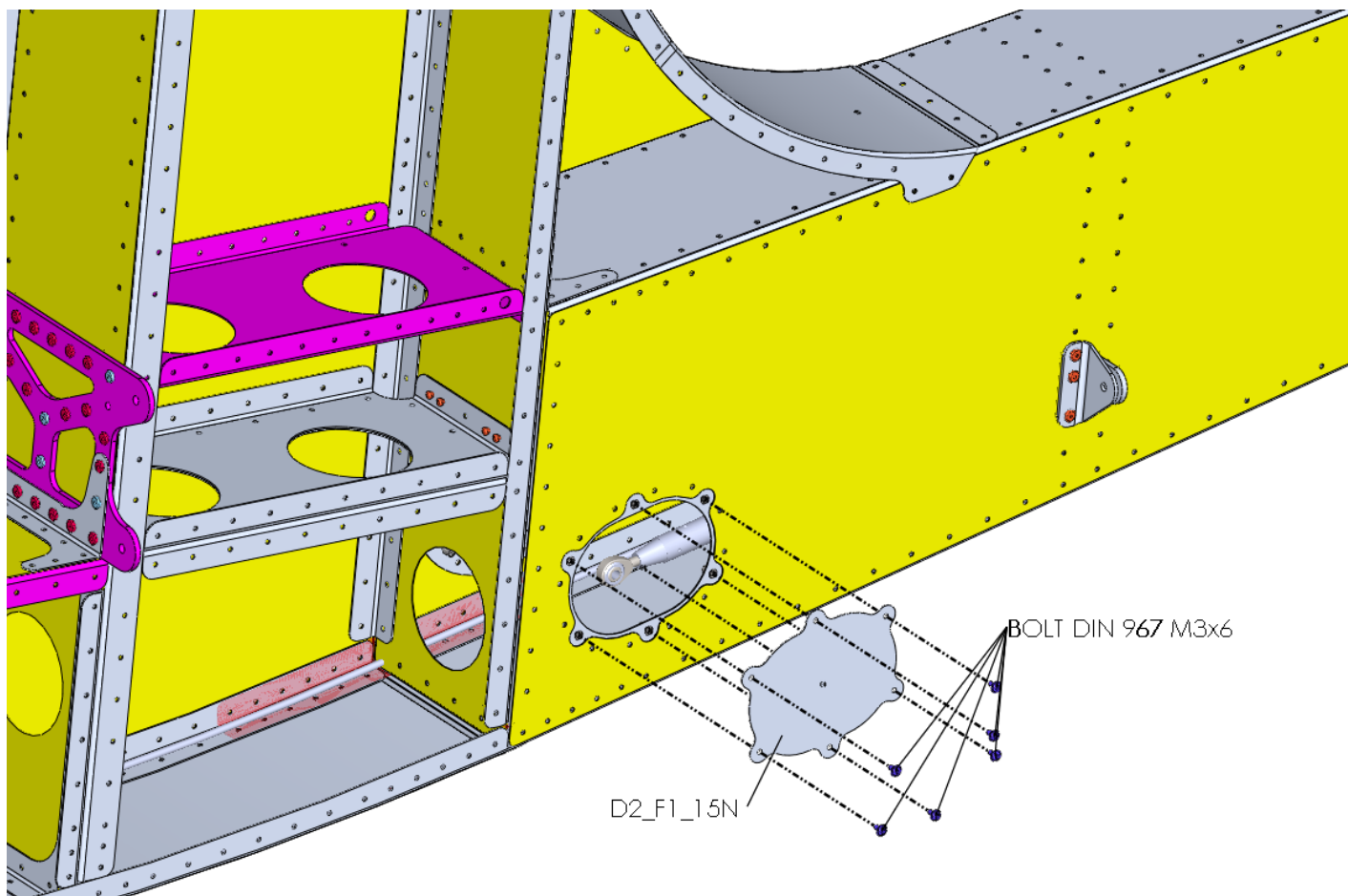
Title	Document no.	Revision	Page	Pages
Fuselage assembly manual	D2_F0_00	Rev. 05	320	406

Step 29


Title	Document no.	Revision	Page	Pages
Fuselage assembly manual	D2_F0_00	Rev. 05	321	406



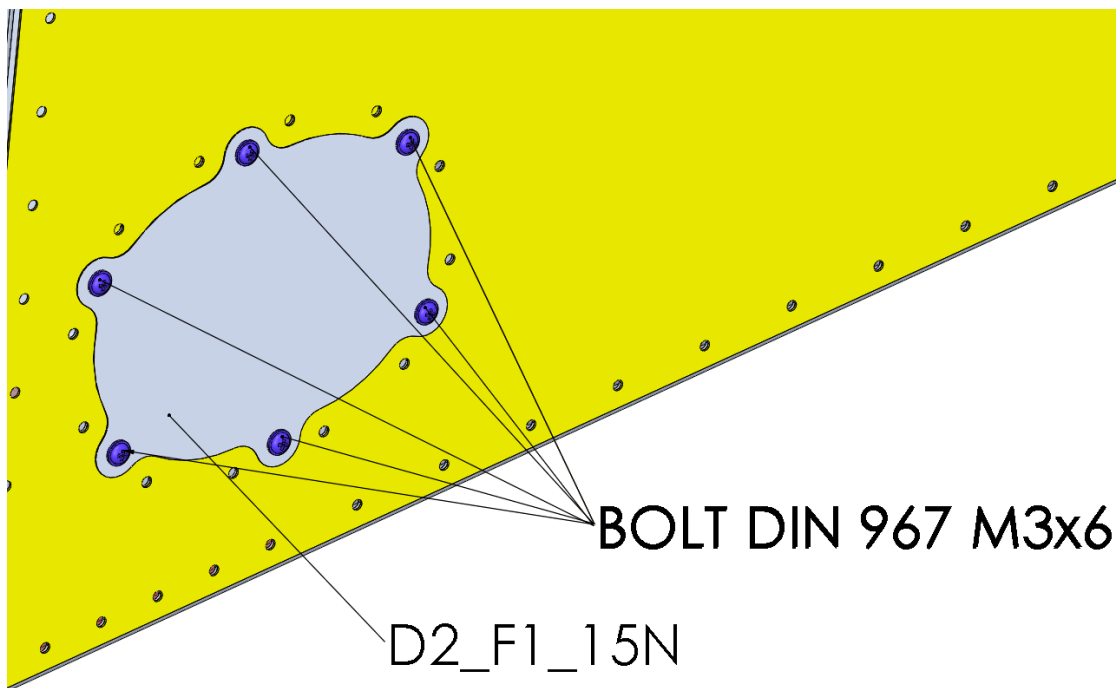
Step 30



Title	Document no.	Revision	Page	Pages
Fuselage assembly manual	D2_F0_00	Rev. 05	322	406



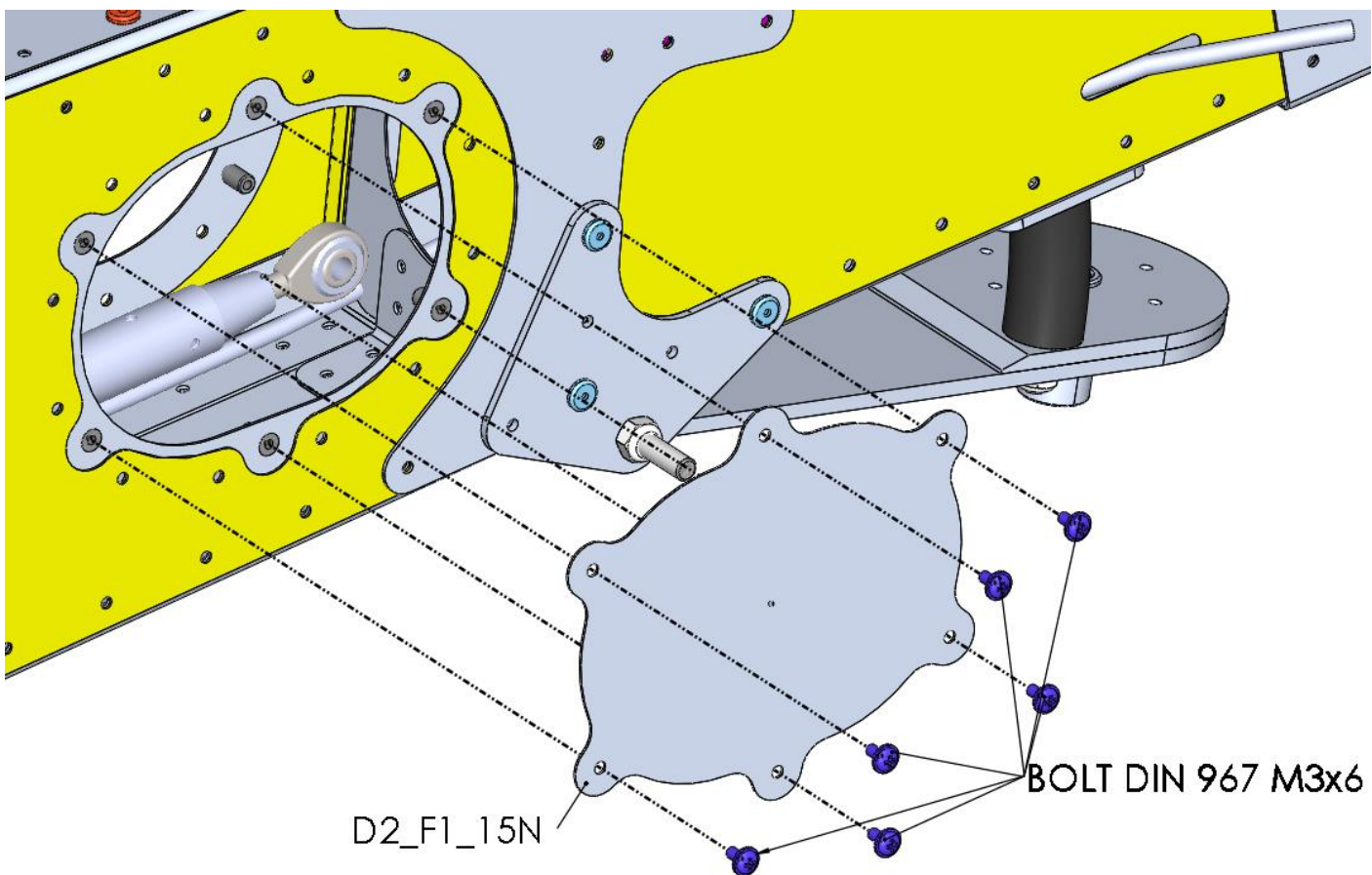
Step 31



Title	Document no.	Revision	Page	Pages
Fuselage assembly manual	D2_F0_00	Rev. 05	323	406



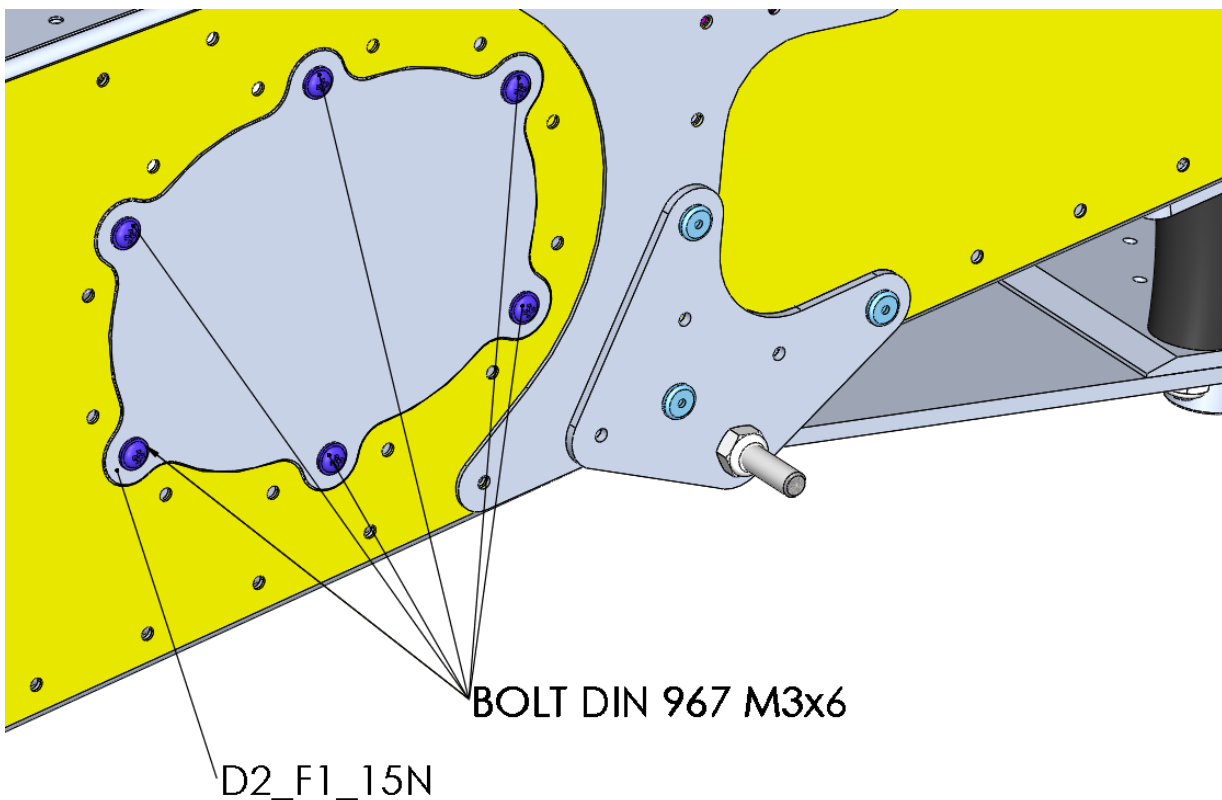
Step 32



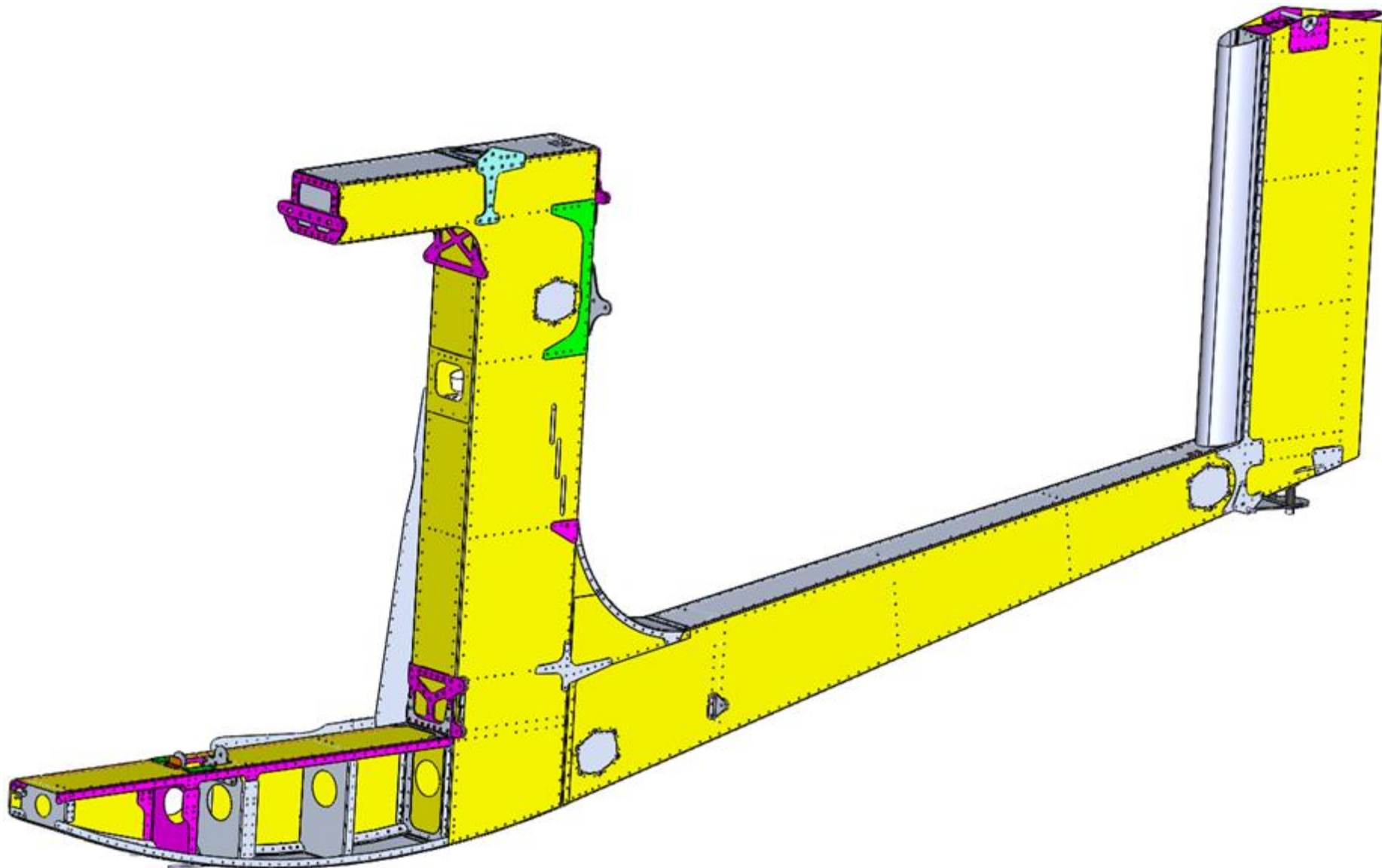
Title	Document no.	Revision	Page	Pages
Fuselage assembly manual	D2_F0_00	Rev. 05	324	406



Step 33



Title	Document no.	Revision	Page	Pages
Fuselage assembly manual	D2_F0_00	Rev. 05	325	406

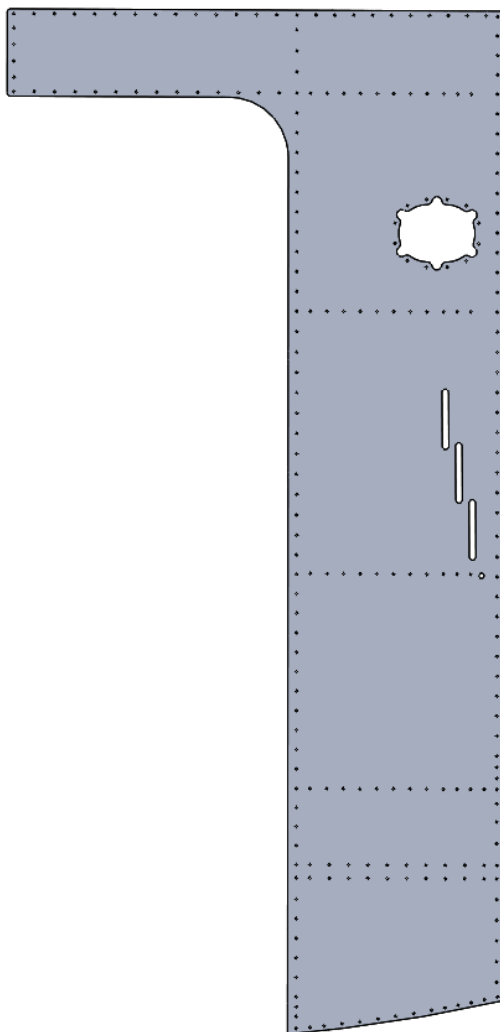


Title	Document no.	Revision	Page	Pages
Fuselage assembly manual	D2_F0_00	Rev. 05	326	406



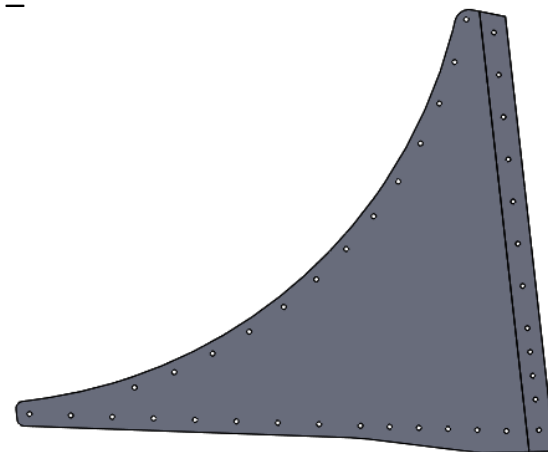
Detail: D2_F1_01N

Quantity: 1



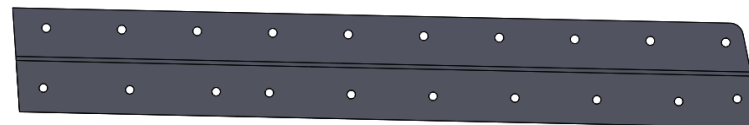
Detail: D2_F4_41L

Quantity: 1



Detail: D2_F4_42L

Quantity: 1

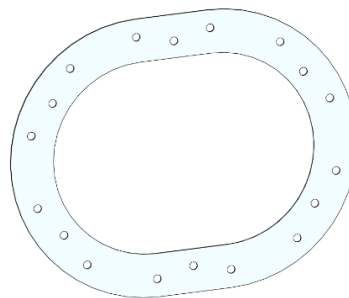


Title	Document no.	Revision	Page	Pages
Fuselage assembly manual	D2_F0_00	Rev. 05	327	406



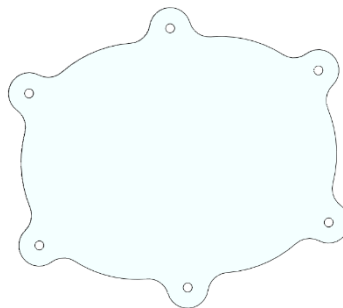
Detail: D2_F1_14N

Quantity: 1



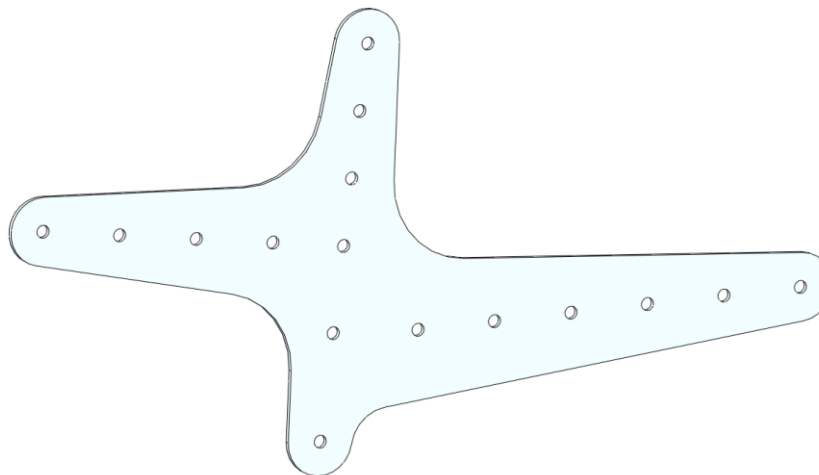
Detail: D2_F1_15N

Quantity: 1



Detail: D2_F3_19N

Quantity: 1

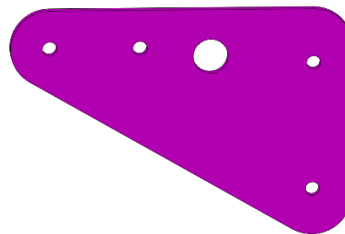


Title	Document no.	Revision	Page	Pages
Fuselage assembly manual	D2_F0_00	Rev. 05	328	406



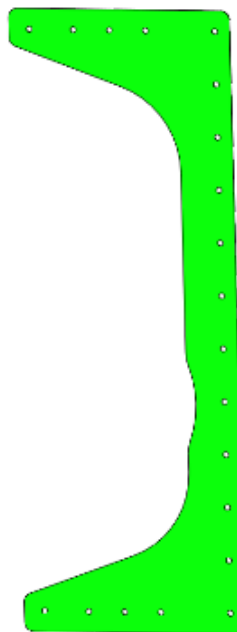
Detail: D2_F4_11N

Quantity: 1



Detail: D2_F4_31N

Quantity: 1

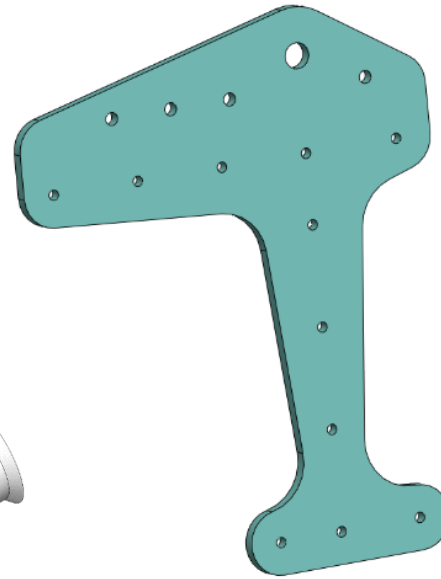


Title	Document no.	Revision	Page	Pages
Fuselage assembly manual	D2_F0_00	Rev. 05	329	406



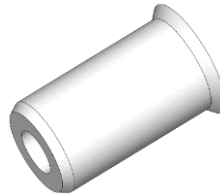
Detail: D2_F6_01N

Quantity: 1



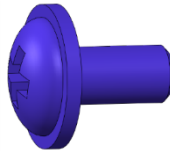
Detail: RivNut M3 cs

Quantity: 6



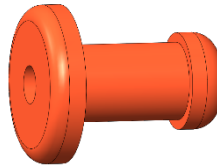
Detail: BOLT DIN 967 M3x6

Quantity: 6



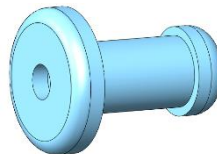
Detail: Rivet Al 4 x 9.5

Quantity: 3



Detail: Rivet INOX 4 x12

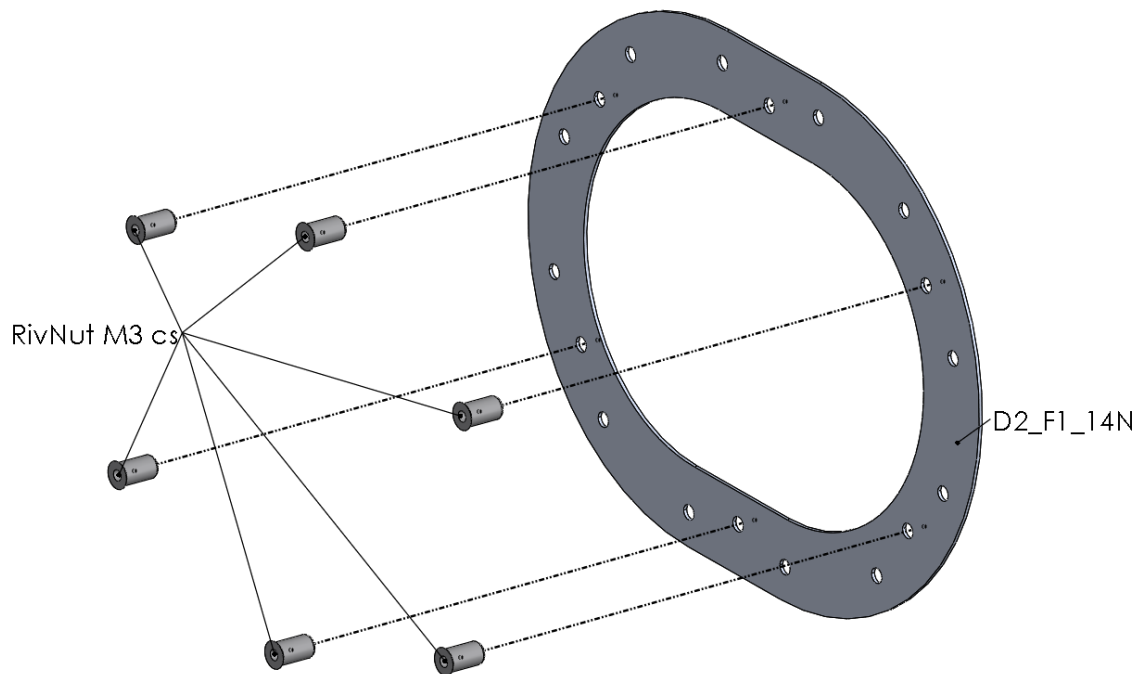
Quantity: 17



Title	Document no.	Revision	Page	Pages
Fuselage assembly manual	D2_F0_00	Rev. 05	330	406



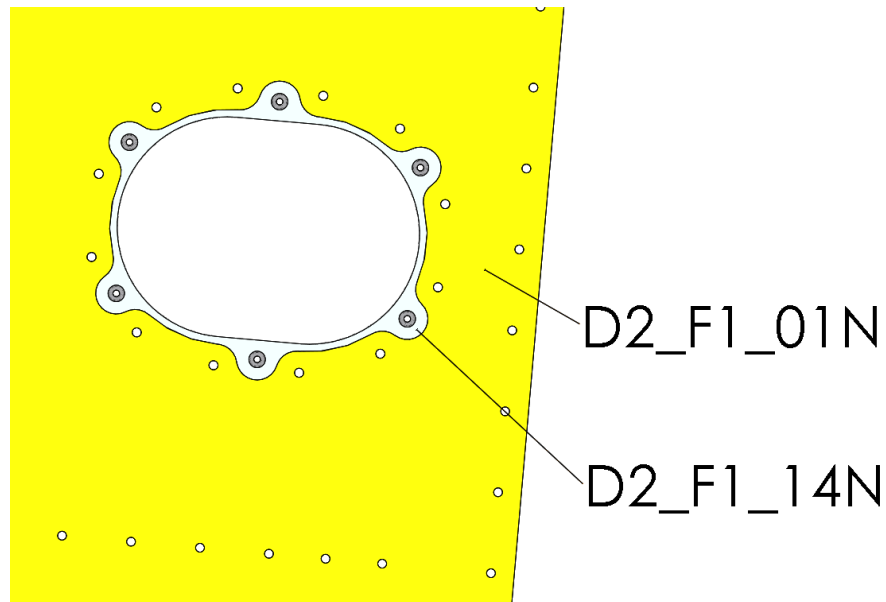
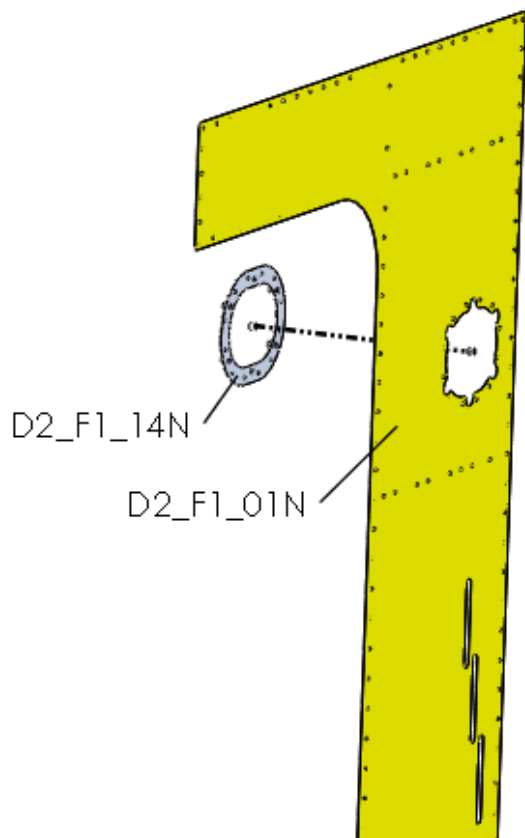
Step 1



Title	Document no.	Revision	Page	Pages
Fuselage assembly manual	D2_F0_00	Rev. 05	331	406



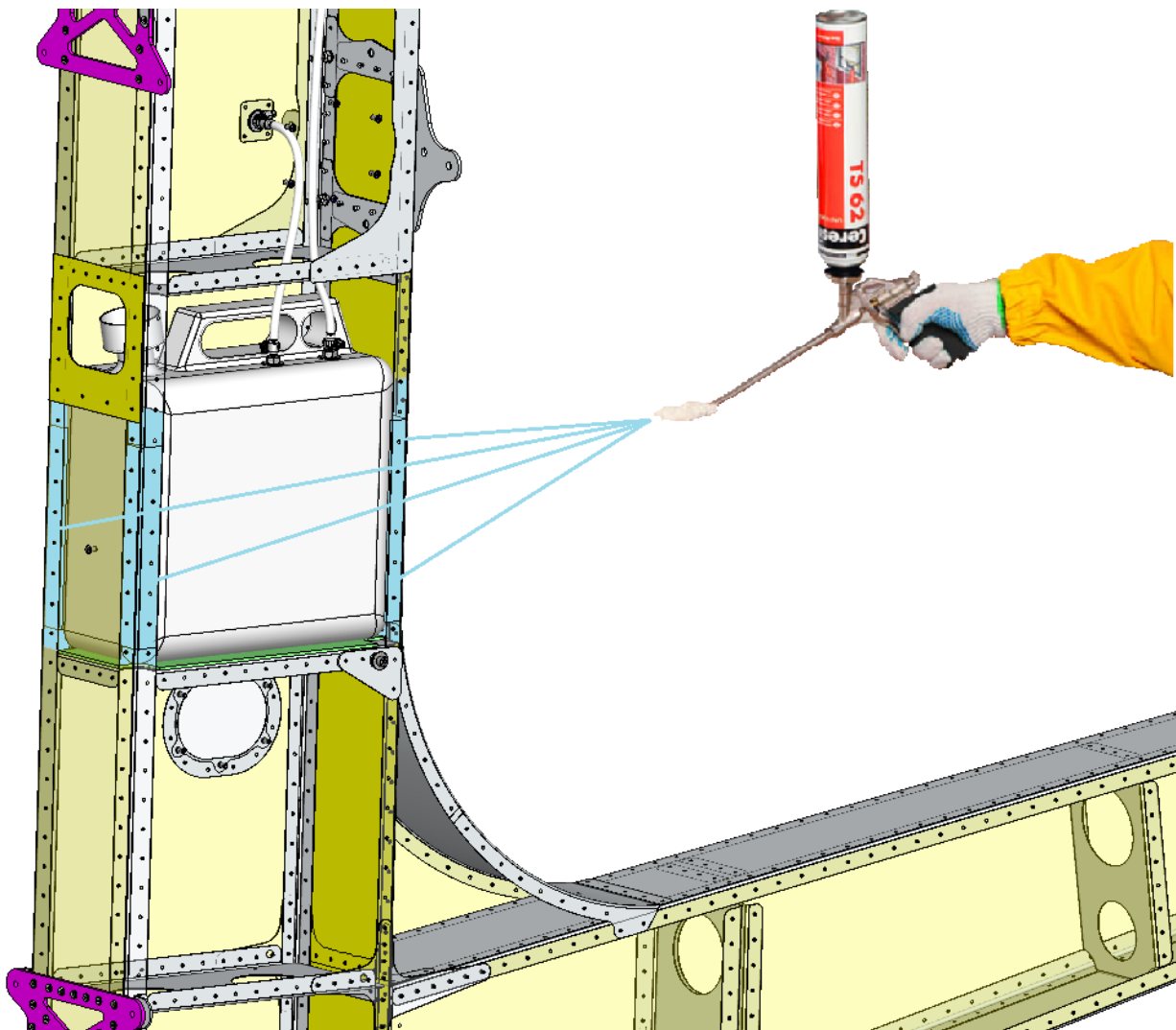
Step 2



Title	Document no.	Revision	Page	Pages
Fuselage assembly manual	D2_F0_00	Rev. 05	332	406



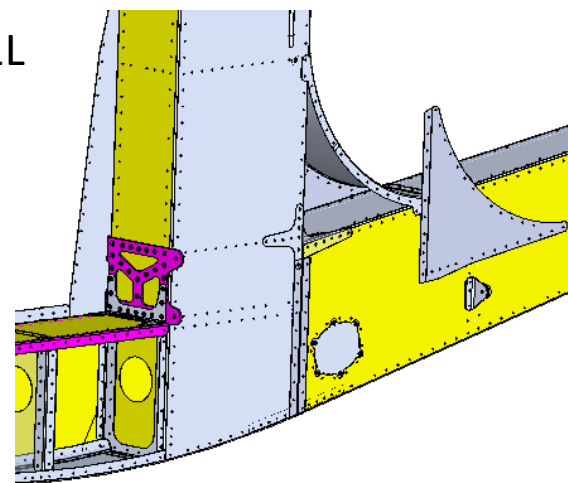
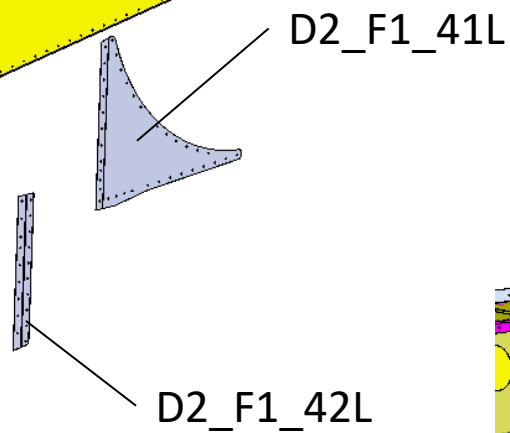
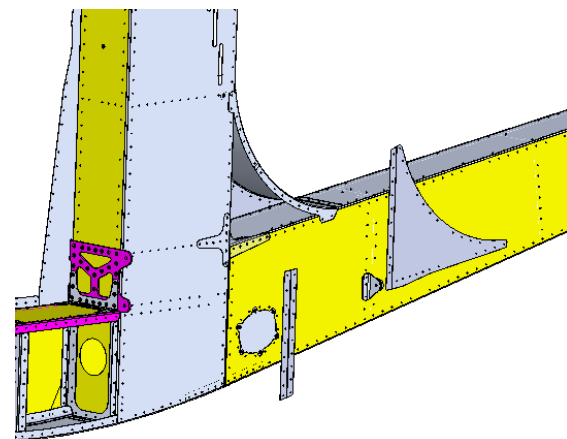
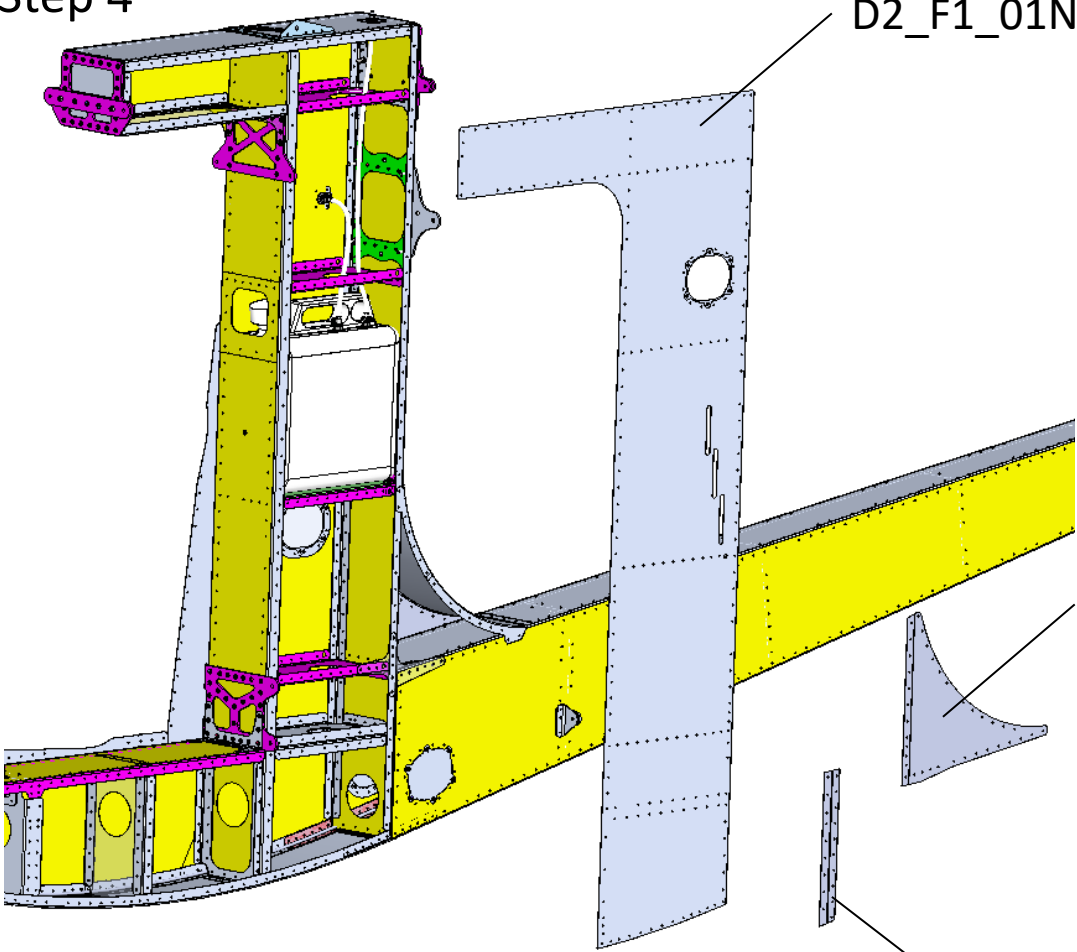
Step 3



Title	Document no.	Revision	Page	Pages
Fuselage assembly manual	D2_F0_00	Rev. 05	333	406



Step 4



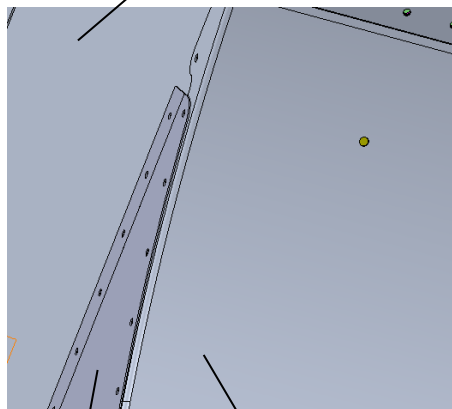
Title	Document no.	Revision	Page	Pages
Fuselage assembly manual	D2_F0_00	Rev. 05	334	406



Step 5

A

D2_F1_01N

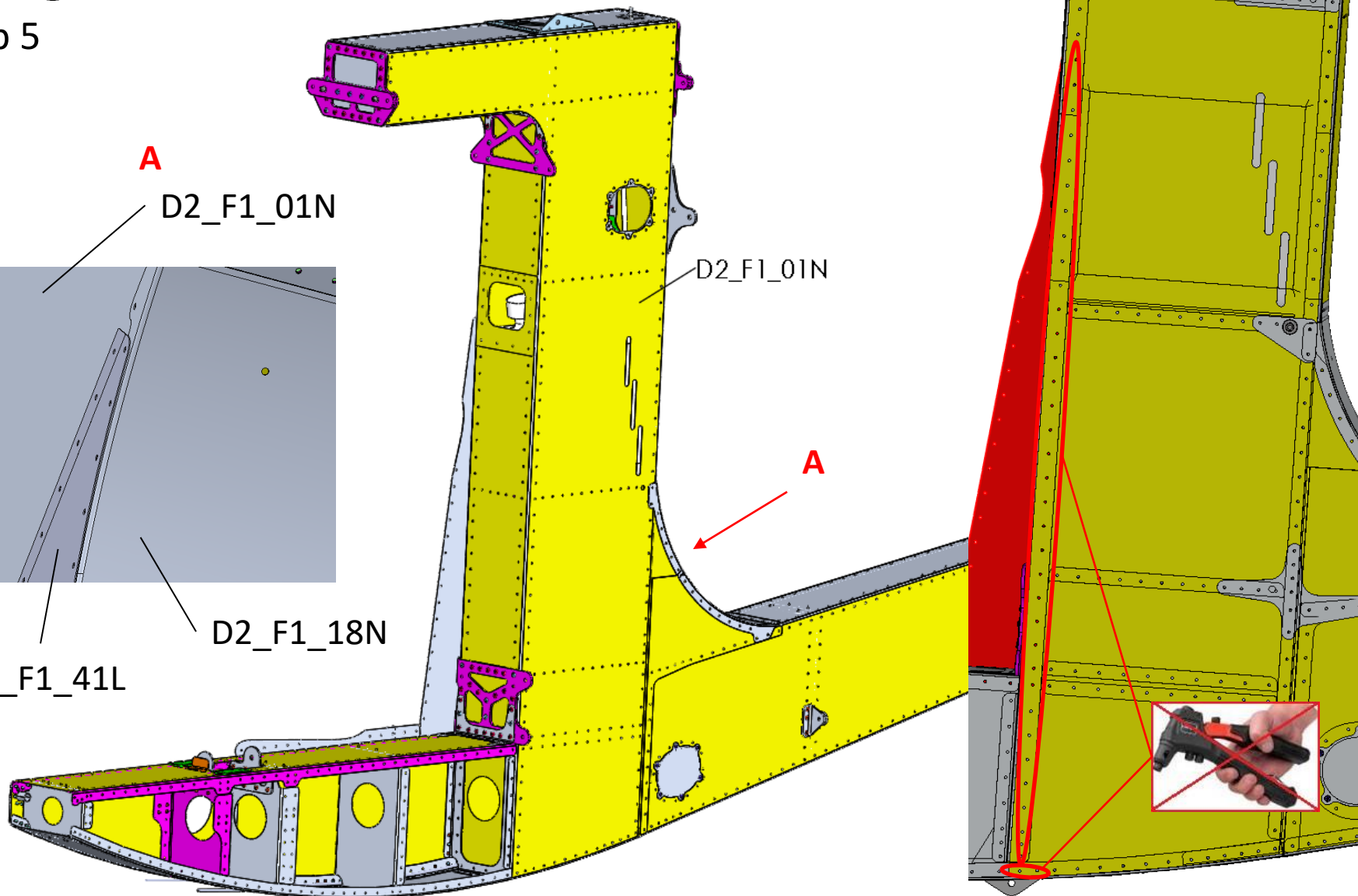


D2_F1_18N

D2_F1_41L

D2_F1_01N

A

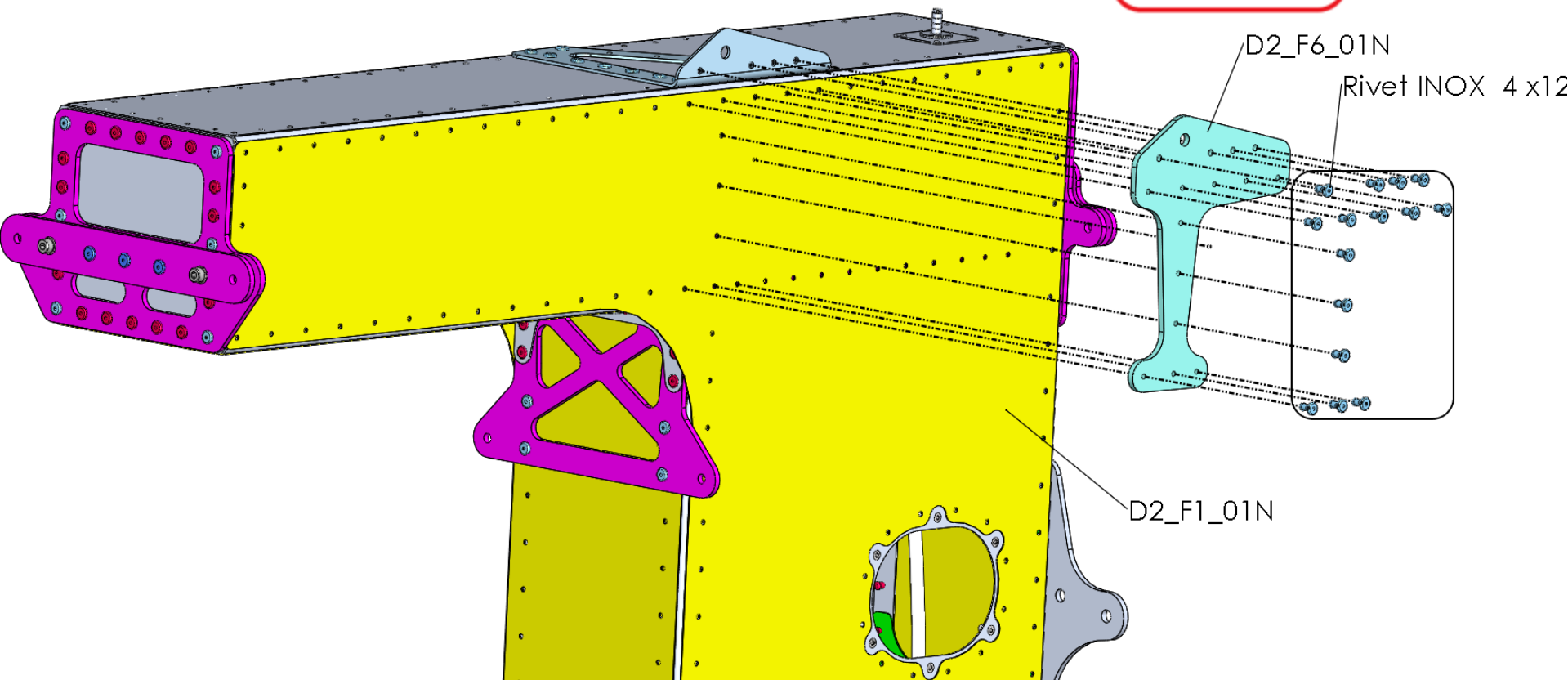


Title	Document no.	Revision	Page	Pages
Fuselage assembly manual	D2_F0_00	Rev. 05	335	406



15x Hole Ø4mm

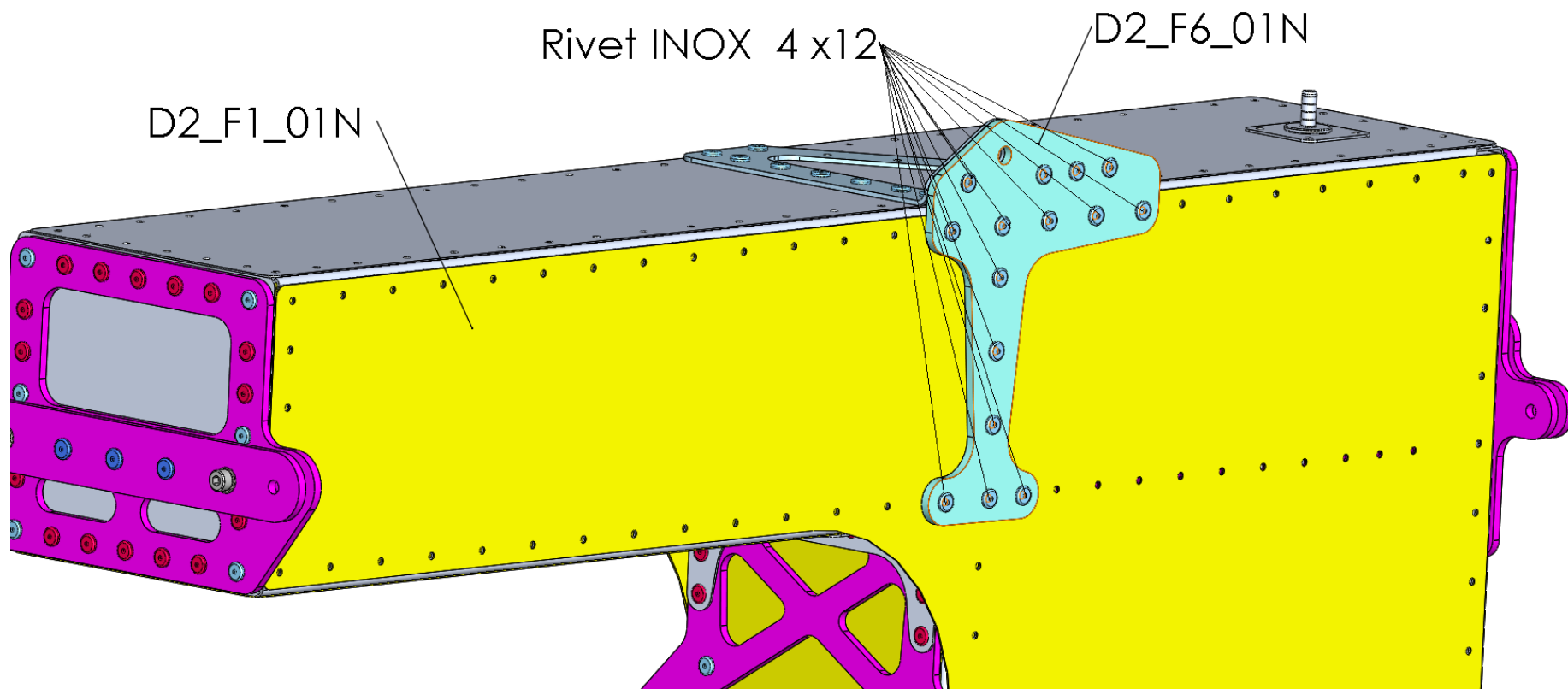
Step 6



Title	Document no.	Revision	Page	Pages
Fuselage assembly manual	D2_F0_00	Rev. 05	336	406



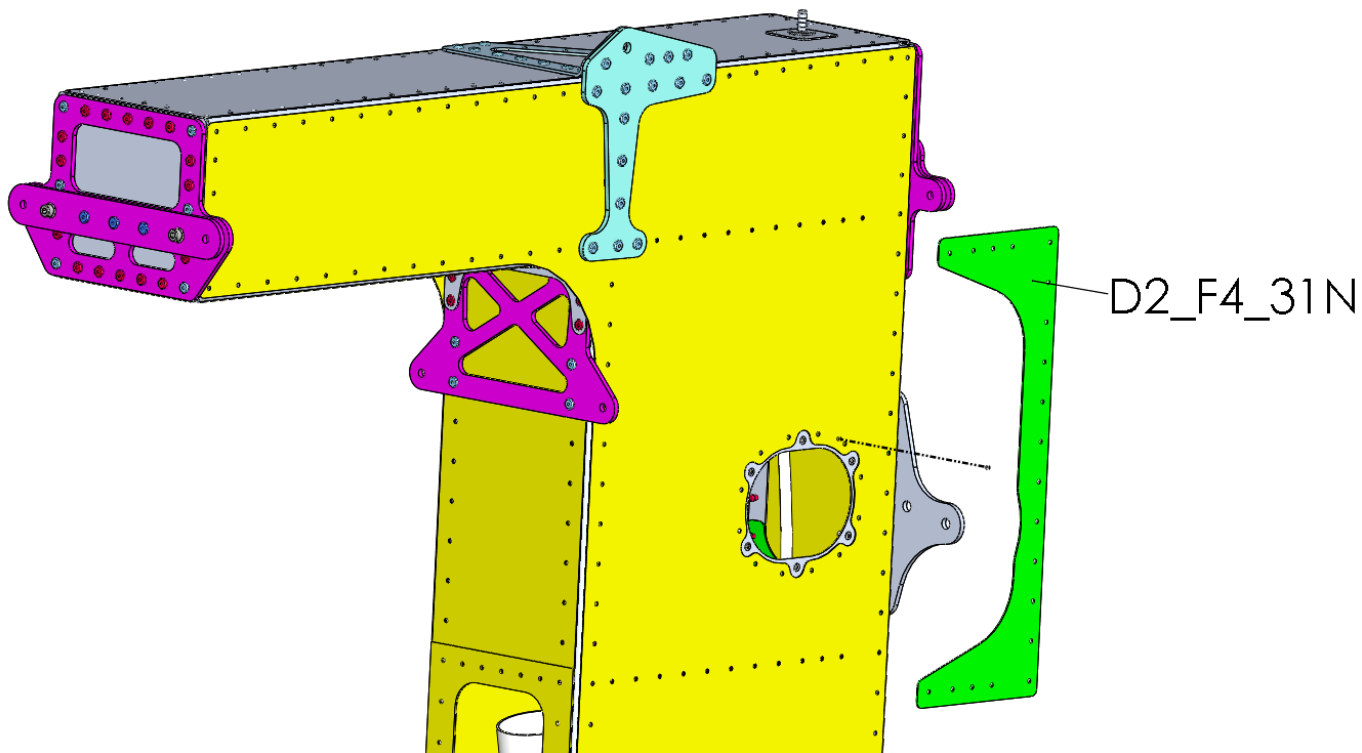
Step 7



Title	Document no.	Revision	Page	Pages
Fuselage assembly manual	D2_F0_00	Rev. 05	337	406



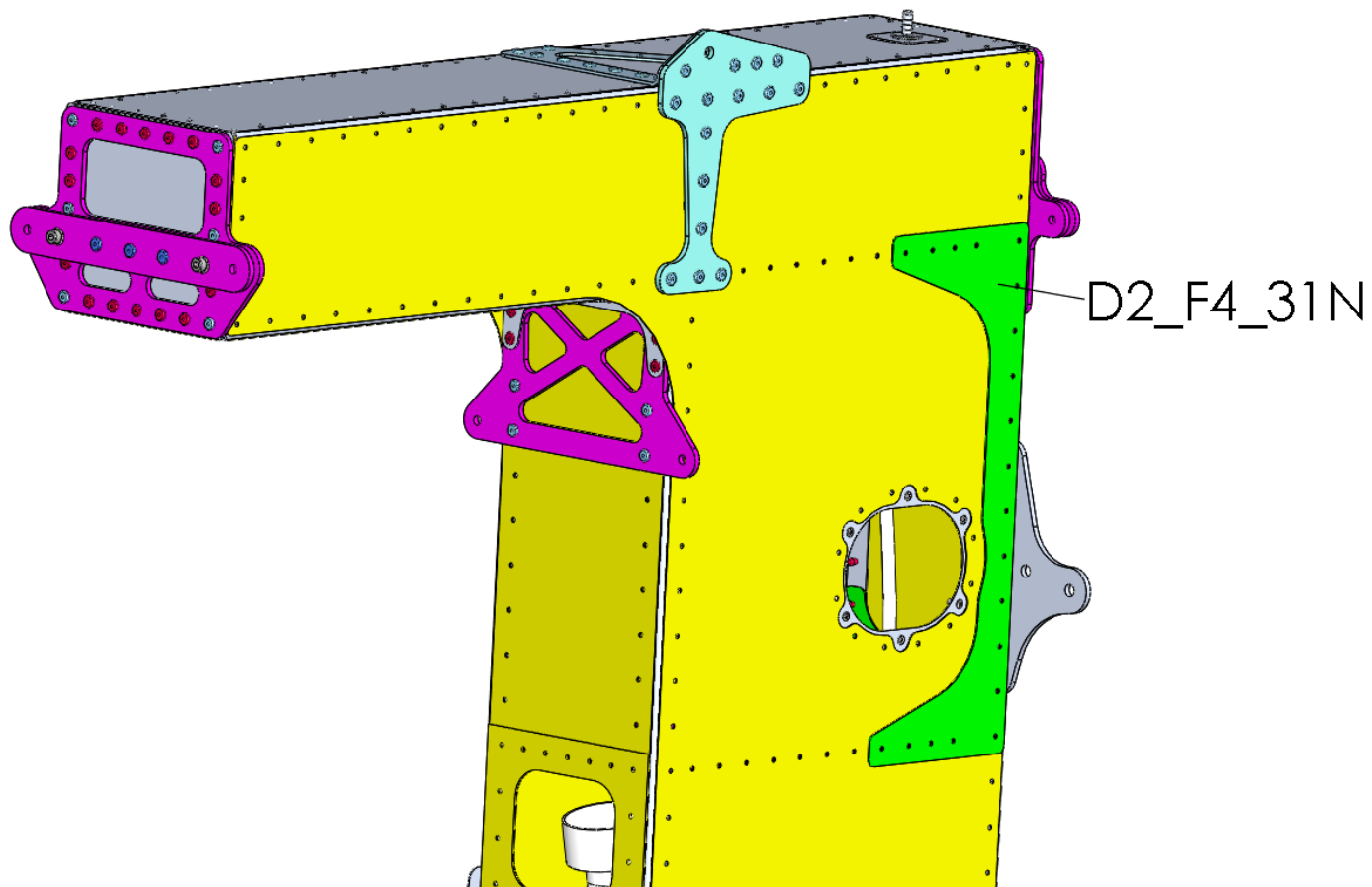
Step 8



Title	Document no.	Revision	Page	Pages
Fuselage assembly manual	D2_F0_00	Rev. 05	338	406



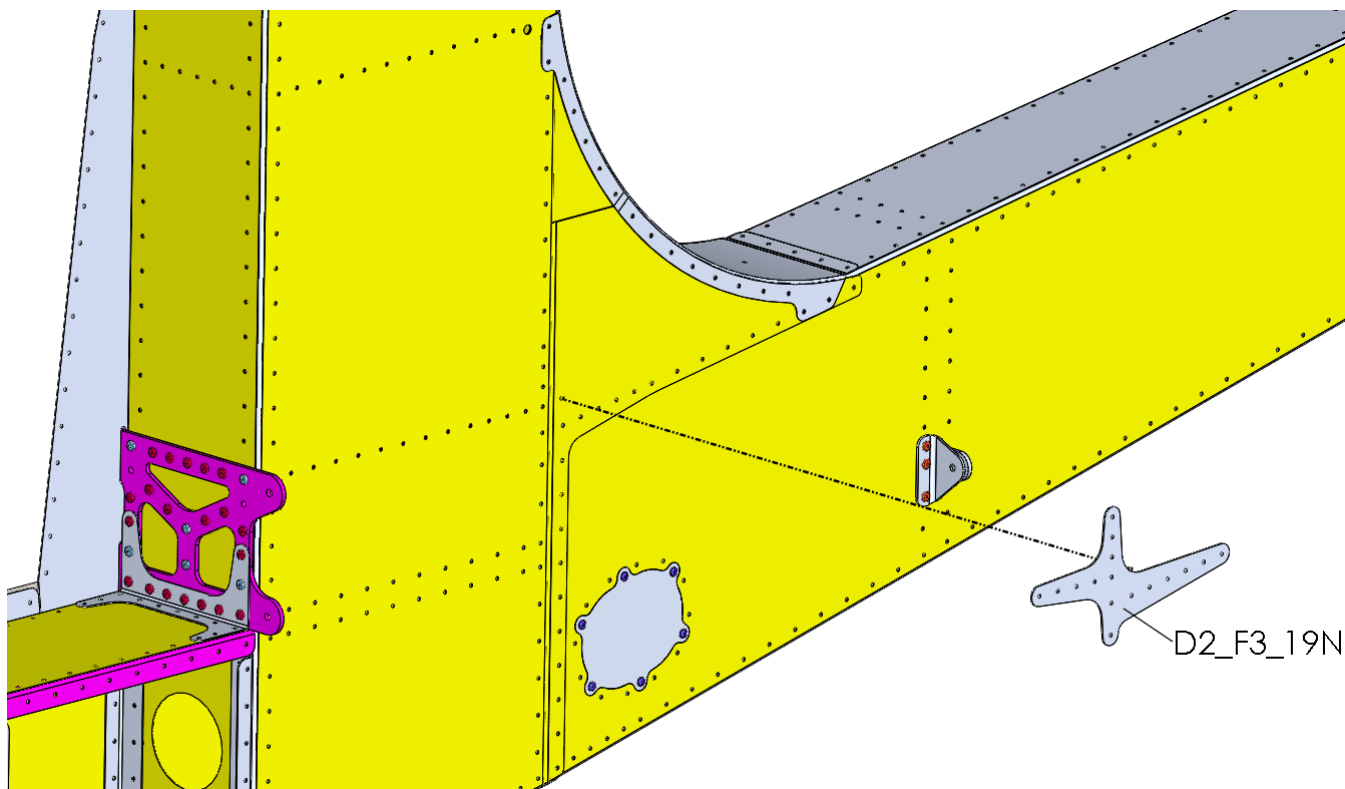
Step 9



Title	Document no.	Revision	Page	Pages
Fuselage assembly manual	D2_F0_00	Rev. 05	339	406



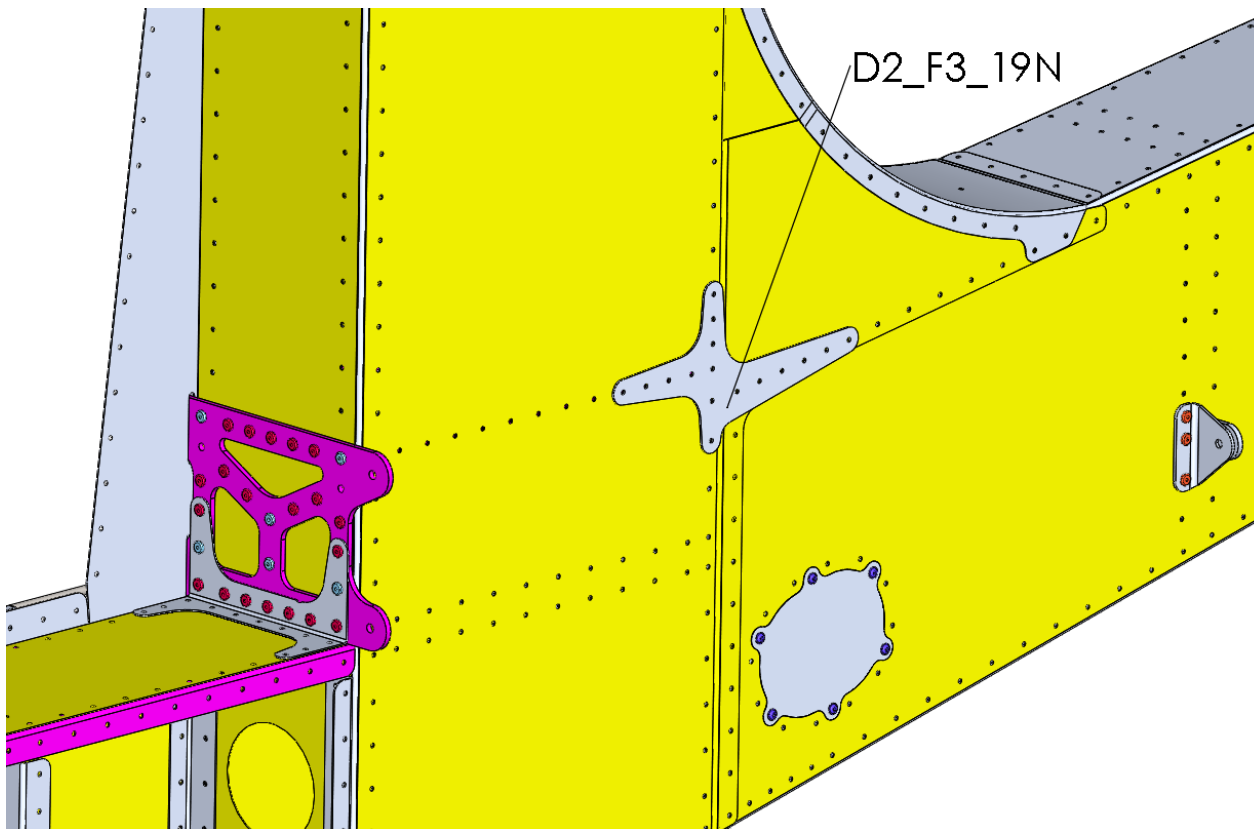
Step 10



Title	Document no.	Revision	Page	Pages
Fuselage assembly manual	D2_F0_00	Rev. 05	340	406



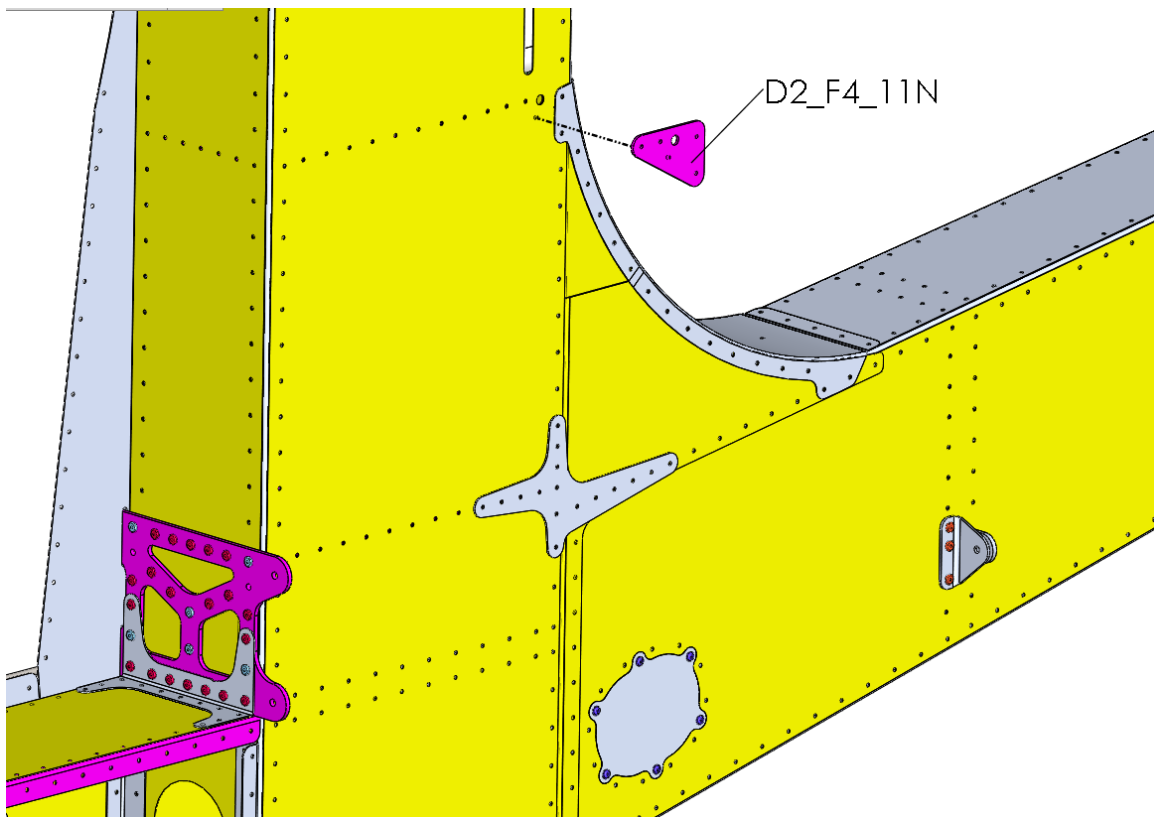
Step 11



Title	Document no.	Revision	Page	Pages
Fuselage assembly manual	D2_F0_00	Rev. 05	341	406



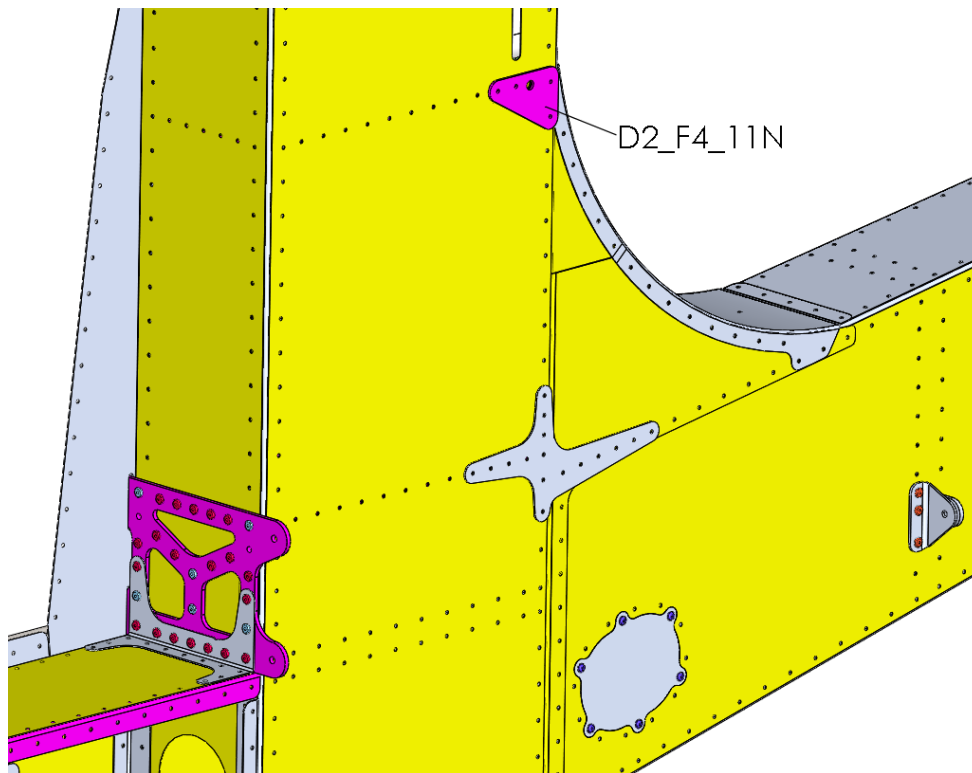
Step 12



Title	Document no.	Revision	Page	Pages
Fuselage assembly manual	D2_F0_00	Rev. 05	342	406



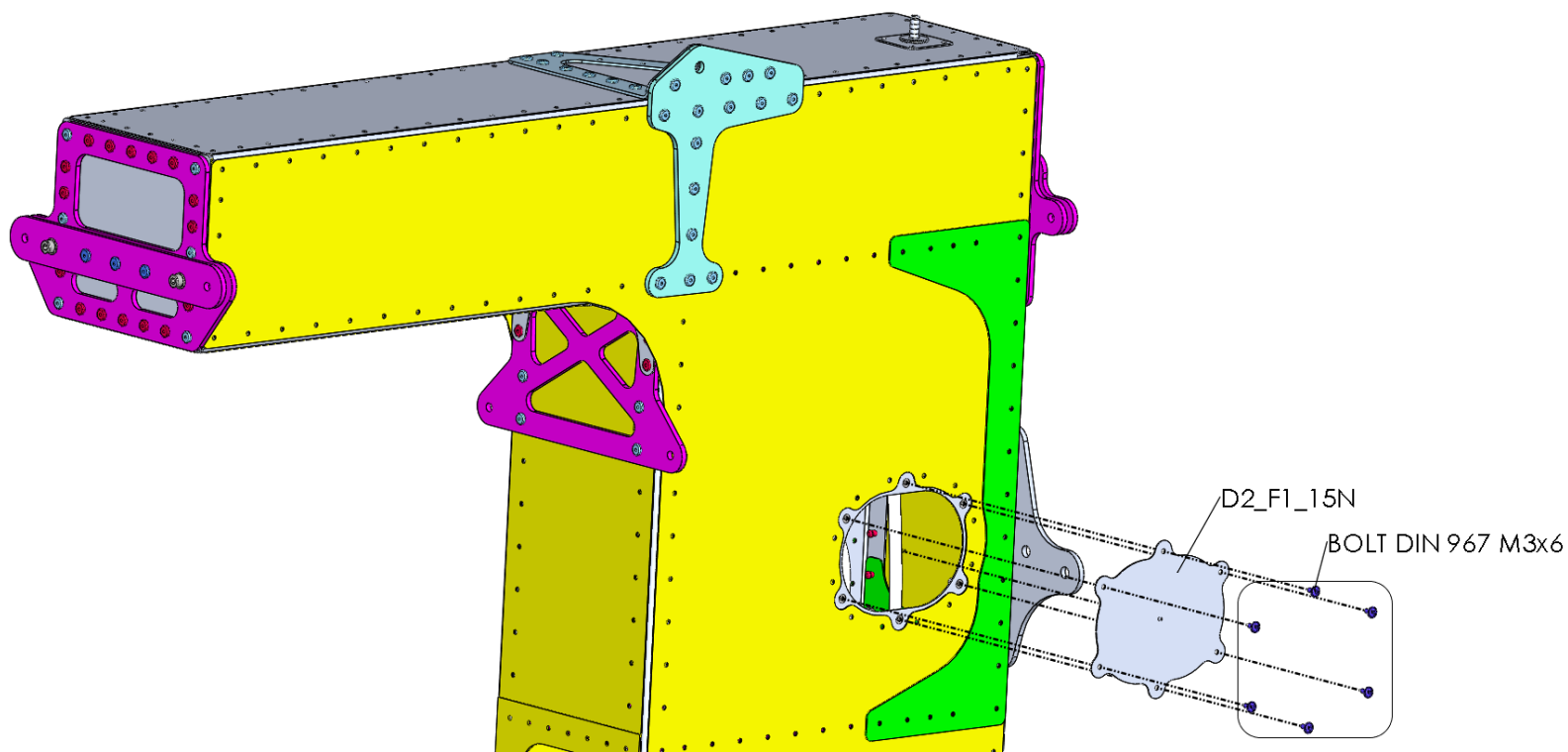
Step 13



Title	Document no.	Revision	Page	Pages
Fuselage assembly manual	D2_F0_00	Rev. 05	343	406



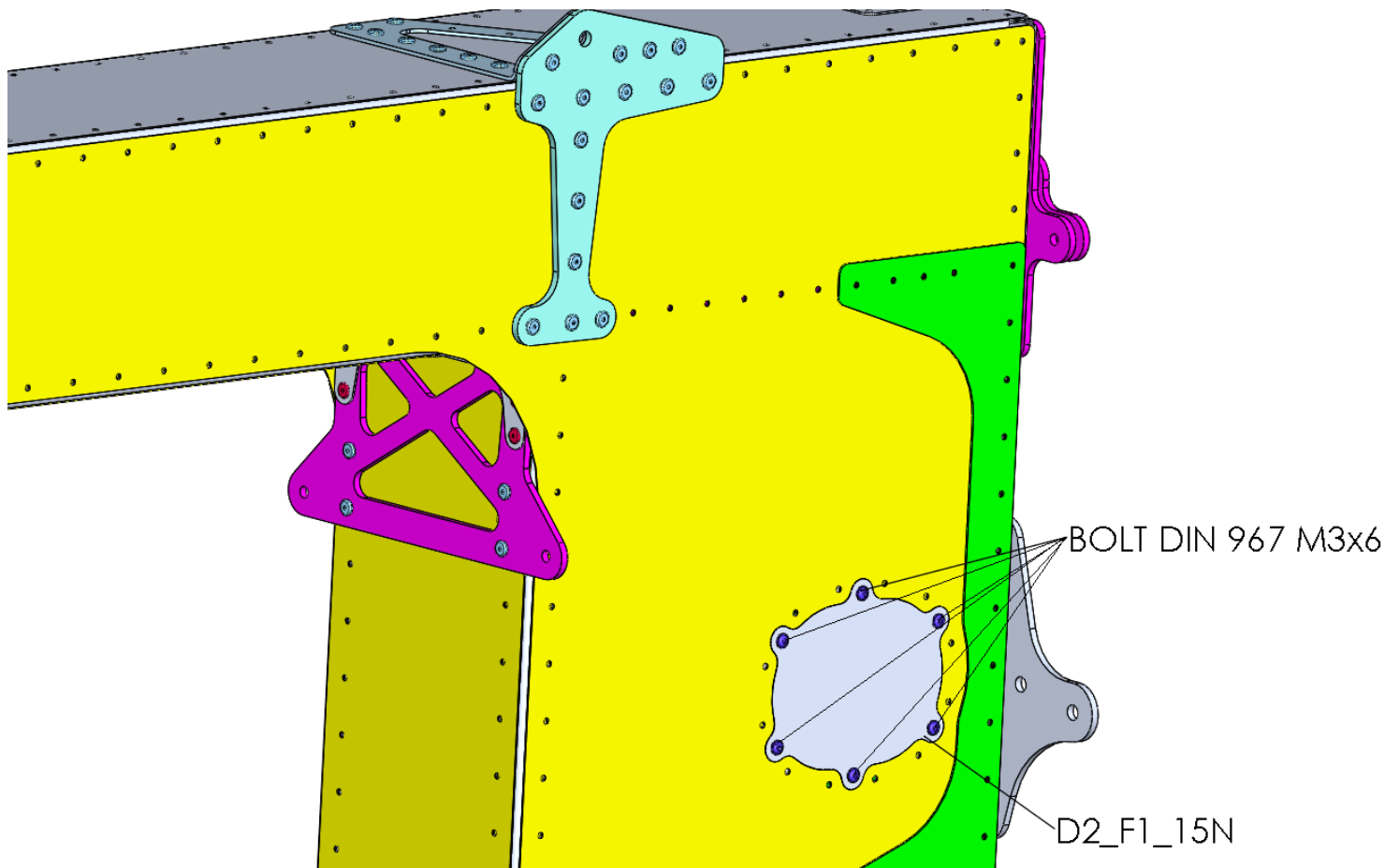
Step 14



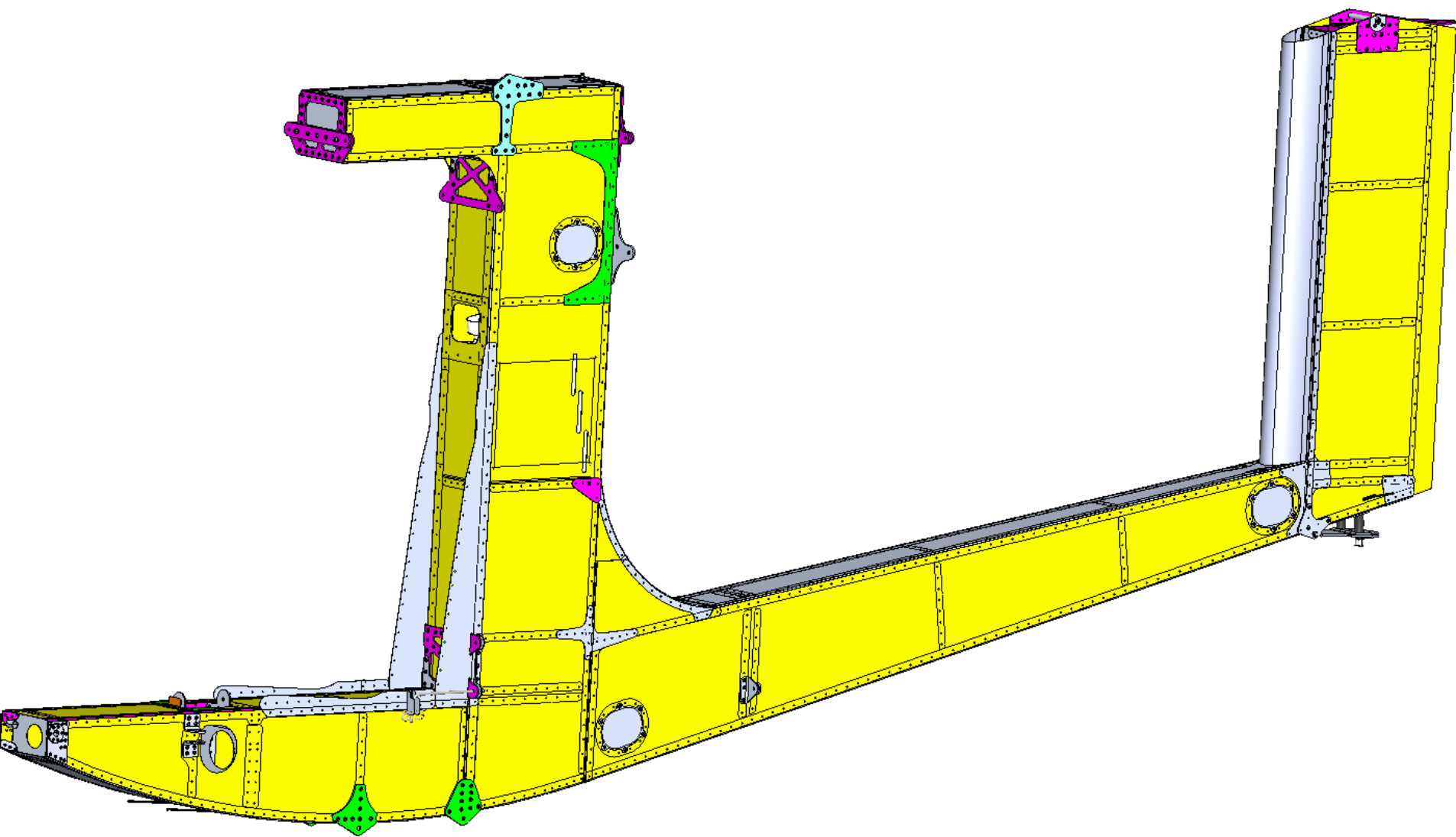
Title	Document no.	Revision	Page	Pages
Fuselage assembly manual	D2_F0_00	Rev. 05	344	406



Step 15



Title	Document no.	Revision	Page	Pages
Fuselage assembly manual	D2_F0_00	Rev. 05	345	406

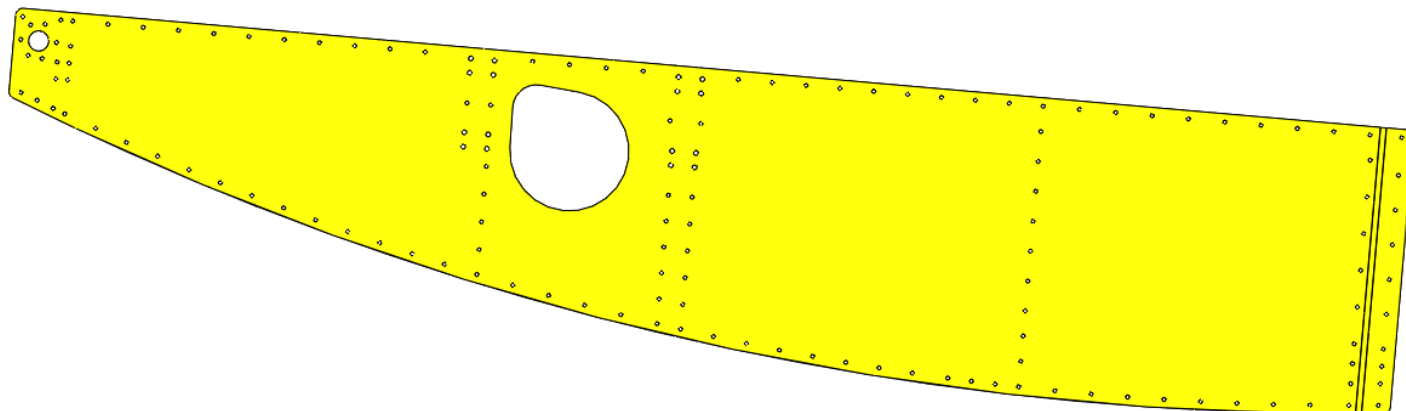


Title	Document no.	Revision	Page	Pages
Fuselage assembly manual	D2_F0_00	Rev. 05	346	406



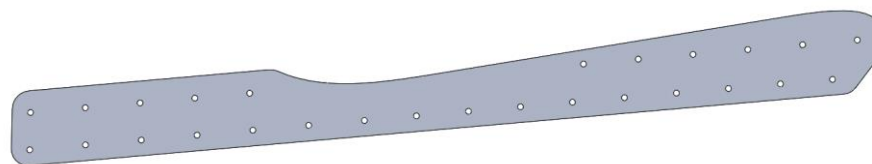
Detail: D2_F1_03L

Quantity: 1



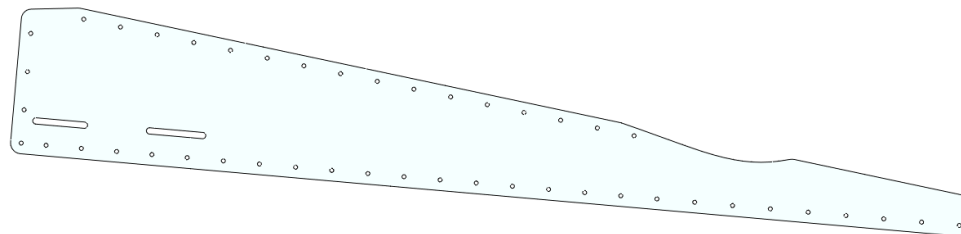
Detail: D2_F1_21N

Quantity: 1



Detail: D2_F1_22N

Quantity: 1

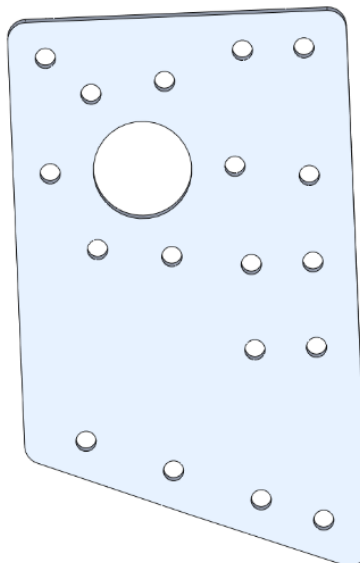


Title	Document no.	Revision	Page	Pages
Fuselage assembly manual	D2_F0_00	Rev. 05	347	406



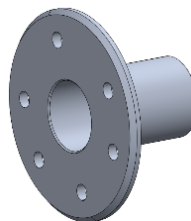
Detail: D2_F4_13N

Quantity: 1



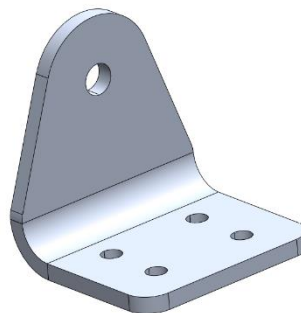
Detail: D2_F4_14N

Quantity: 1



Detail: D2_F4_17N

Quantity: 2

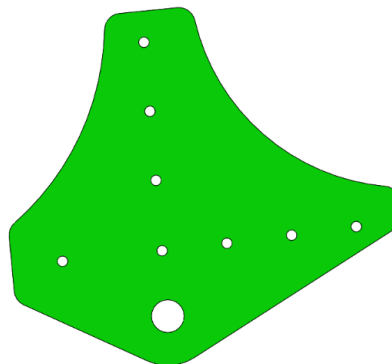


Title	Document no.	Revision	Page	Pages
Fuselage assembly manual	D2_F0_00	Rev. 05	348	406



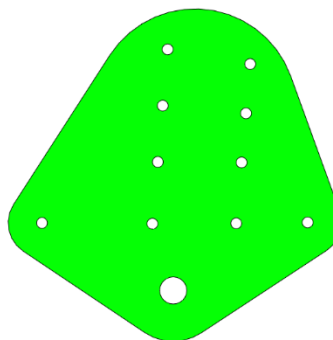
Detail: D2_F4_18N

Quantity: 1



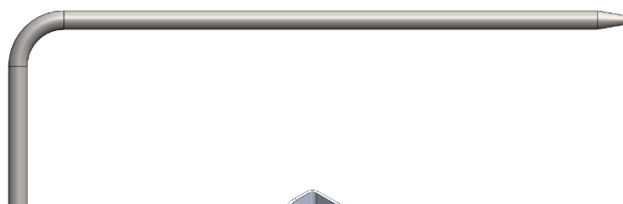
Detail: D2_F4_19N

Quantity: 1



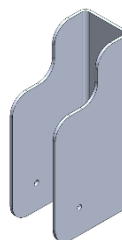
Detail: D2_F4_35N

Quantity: 1



Detail: D2_F4_36N

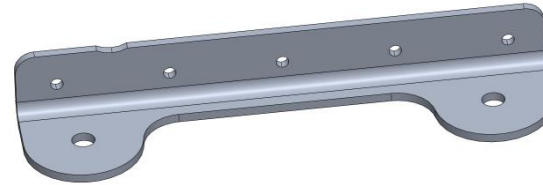
Quantity: 1



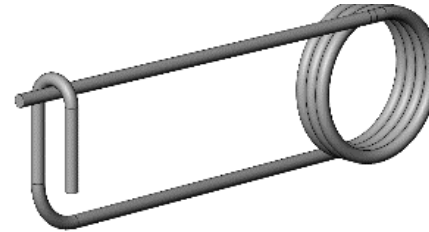
Title	Document no.	Revision	Page	Pages
Fuselage assembly manual	D2_F0_00	Rev. 05	349	406



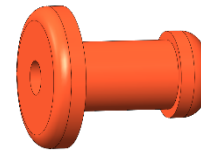
Detail: D2_F4_12L
Quantity: 1



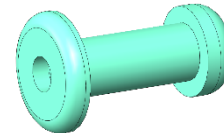
Detail: 90026A103_18-8 Stainless Steel Strong-Hold
Wire-Snap Cotter Pin
Quantity: 1



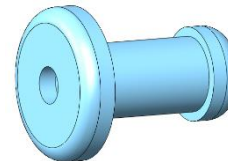
Detail: Rivet Al 4 x 9.5
Quantity: 18



Detail: Rivet Al 3.2 x11.2
Quantity: 18



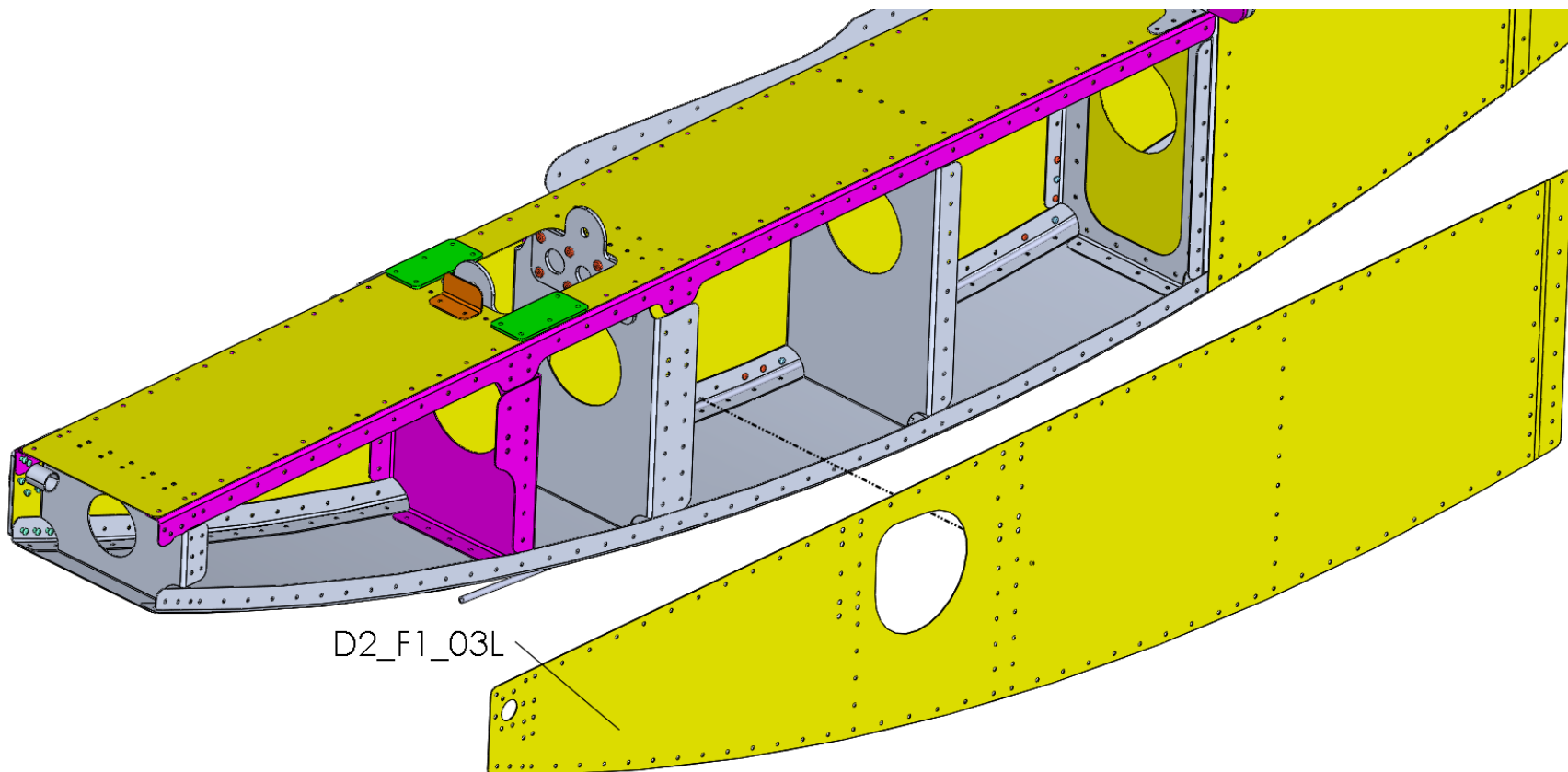
Detail: Rivet INOX 4 x12
Quantity: 8



Title	Document no.	Revision	Page	Pages
Fuselage assembly manual	D2_F0_00	Rev. 05	350	406



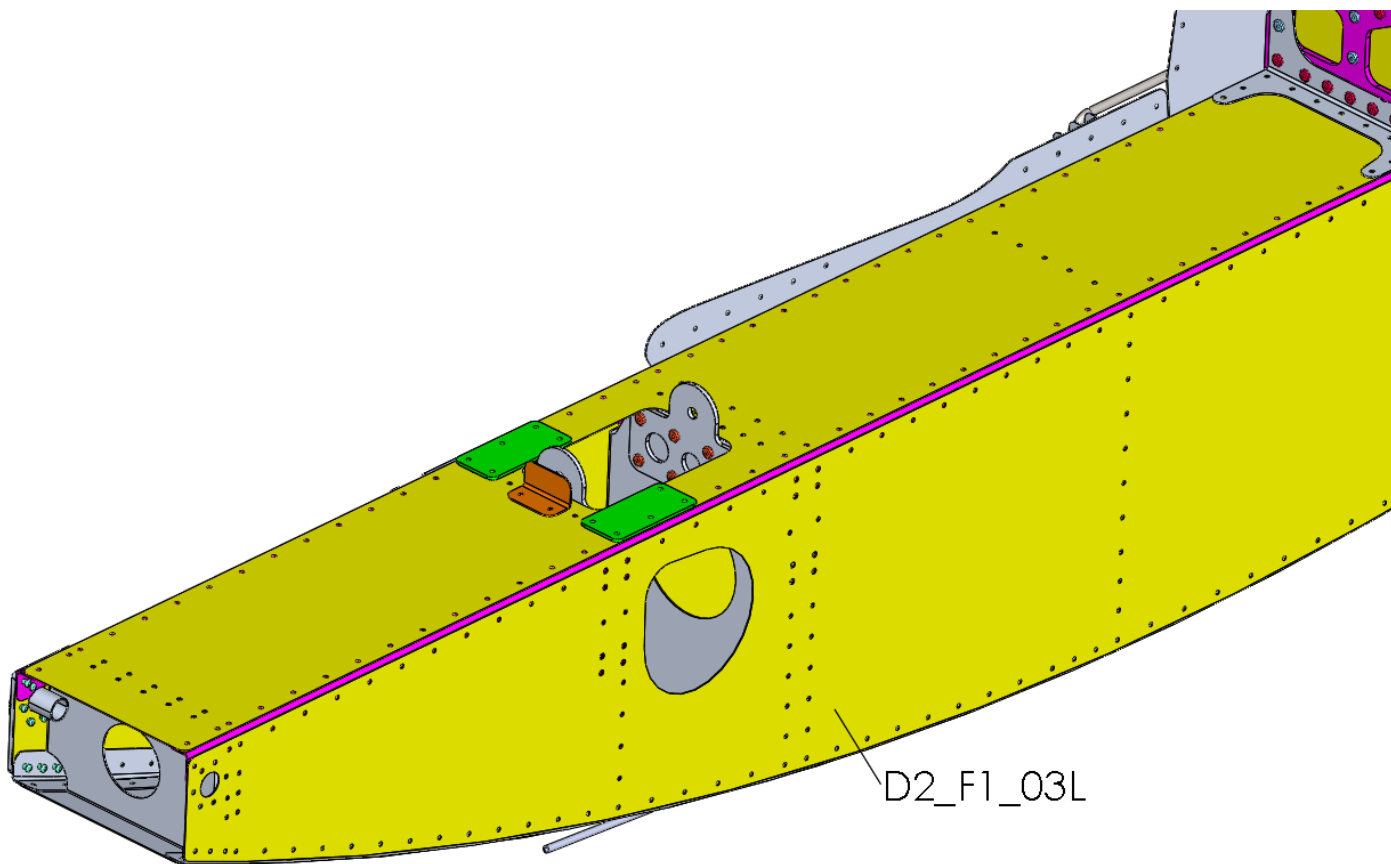
Step 1



Title	Document no.	Revision	Page	Pages
Fuselage assembly manual	D2_F0_00	Rev. 05	351	406



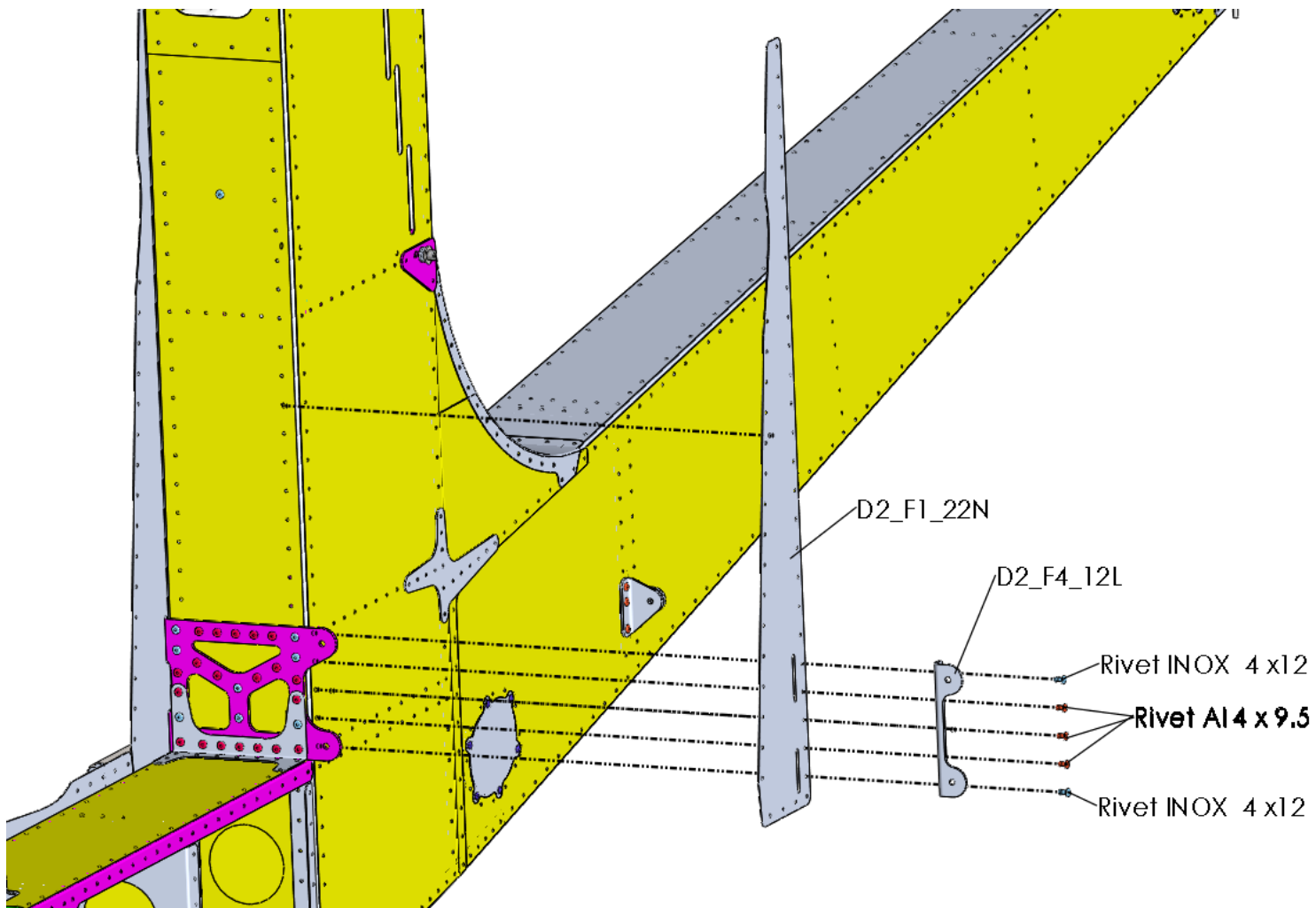
Step 2



Title	Document no.	Revision	Page	Pages
Fuselage assembly manual	D2_F0_00	Rev. 05	352	406



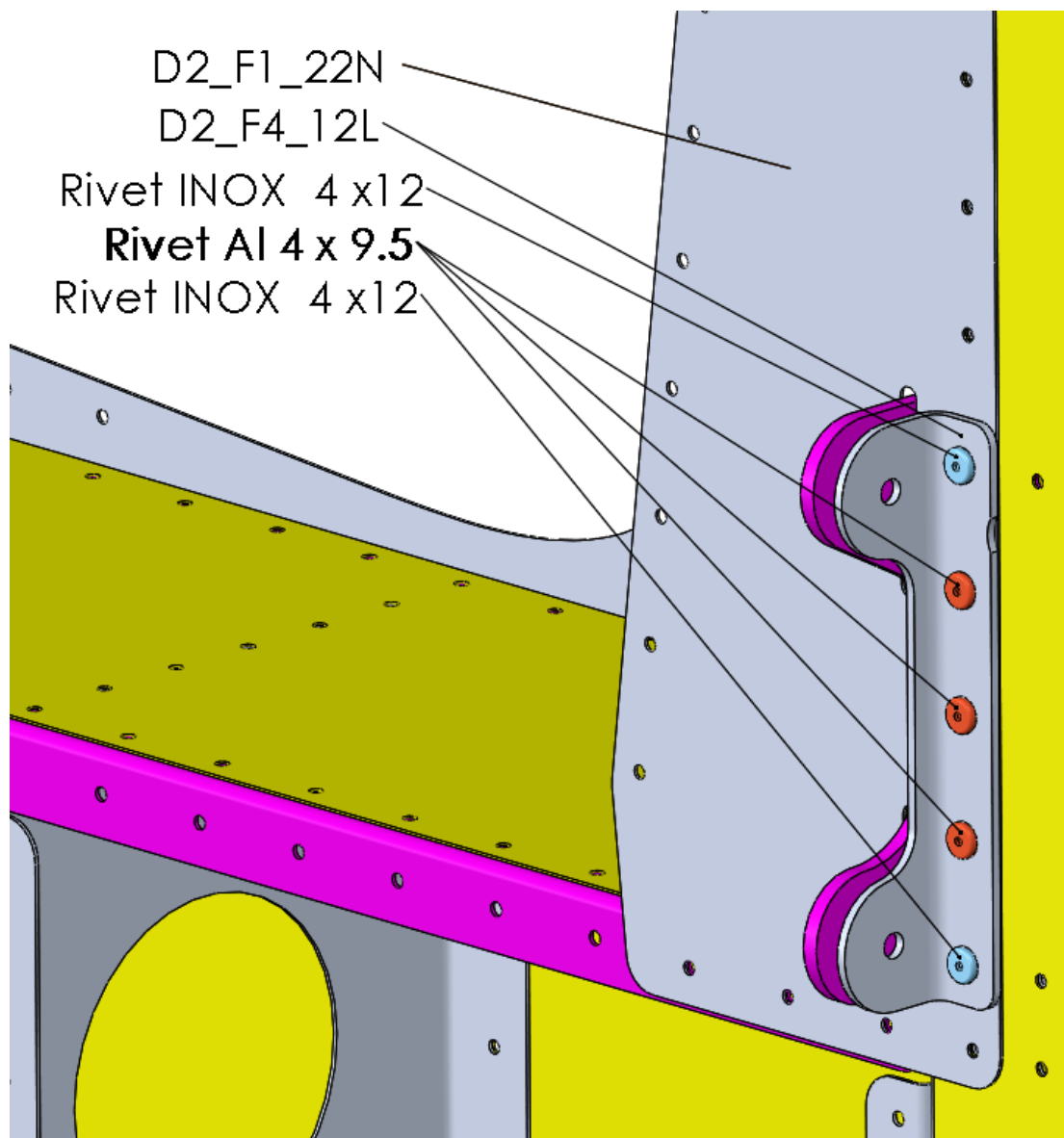
Step 3



Title	Document no.	Revision	Page	Pages
Fuselage assembly manual	D2_F0_00	Rev. 05	353	406



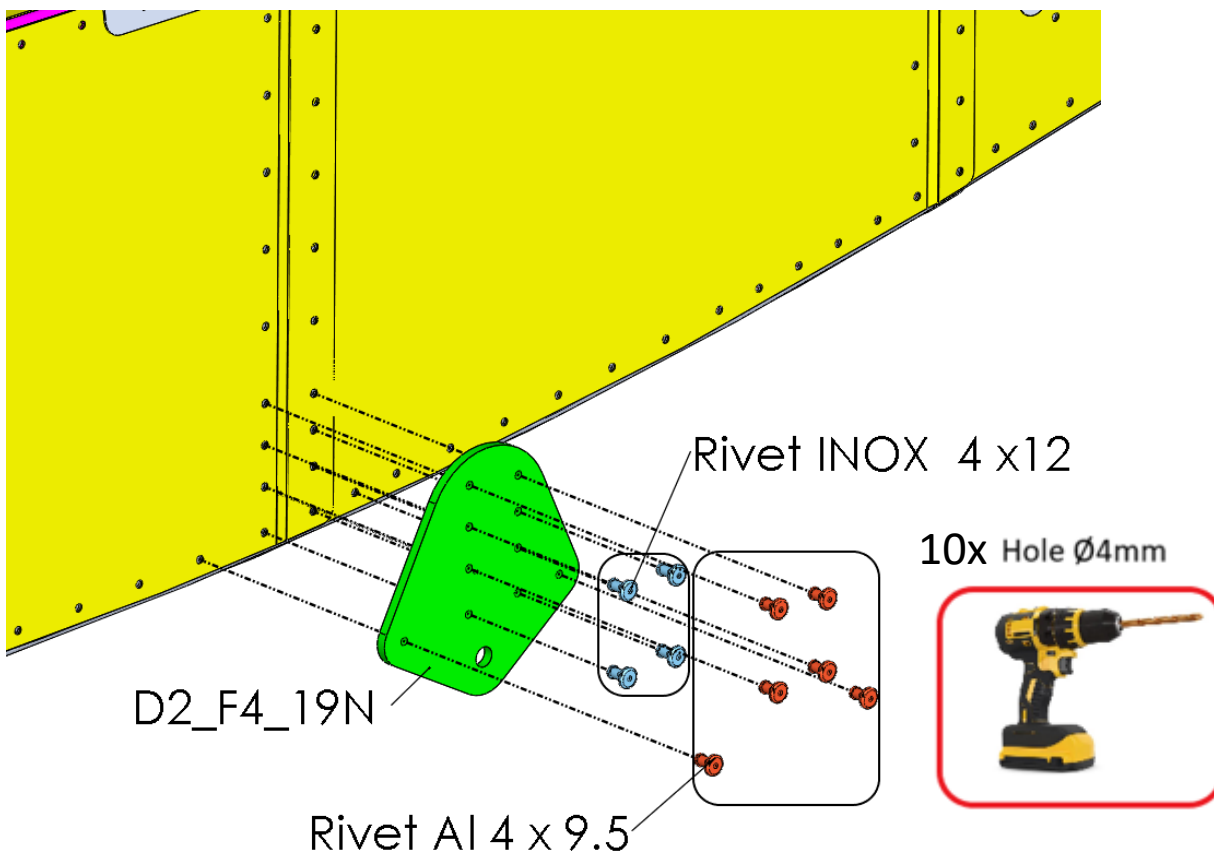
Step 4



Title	Document no.	Revision	Page	Pages
Fuselage assembly manual	D2_F0_00	Rev. 05	354	406



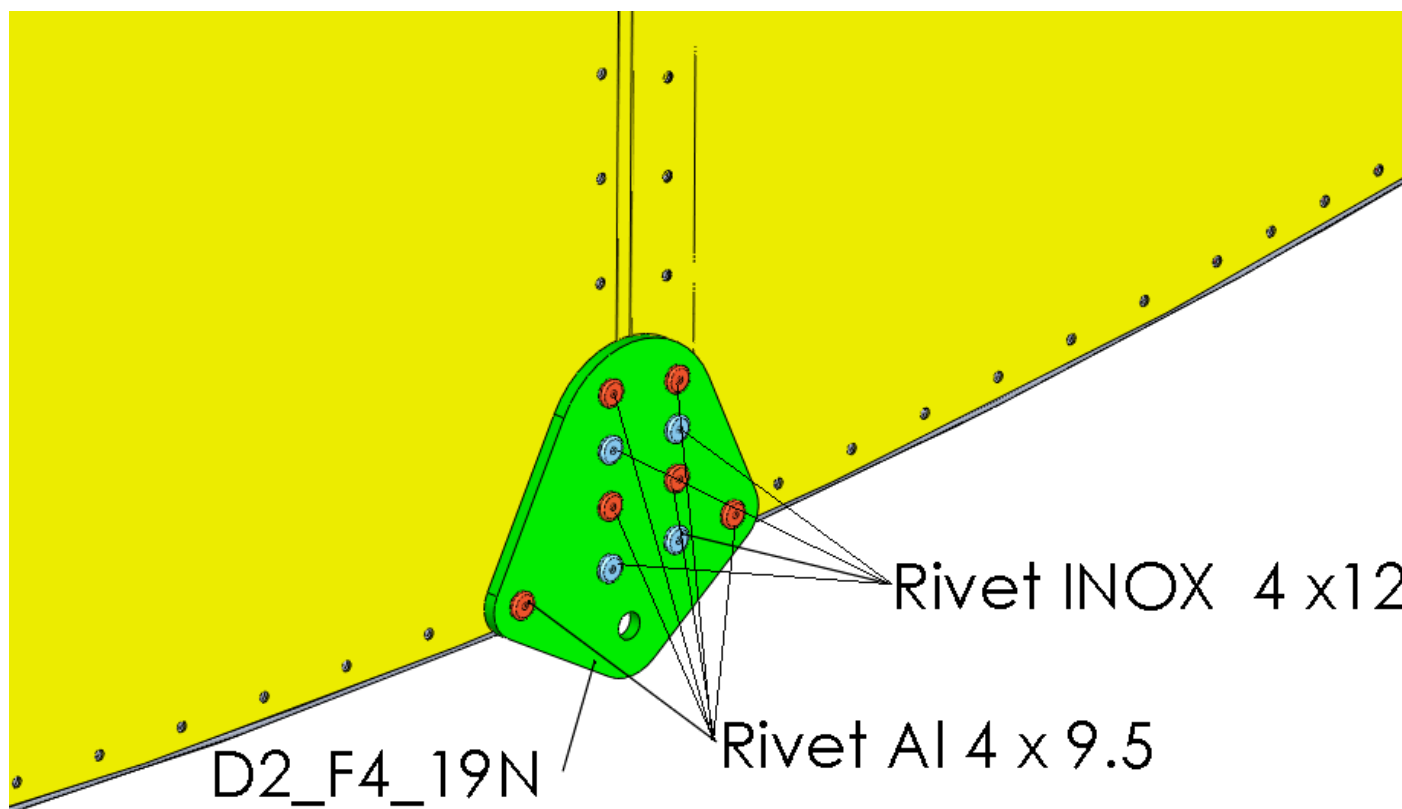
Step 5



Title	Document no.	Revision	Page	Pages
Fuselage assembly manual	D2_F0_00	Rev. 05	355	406



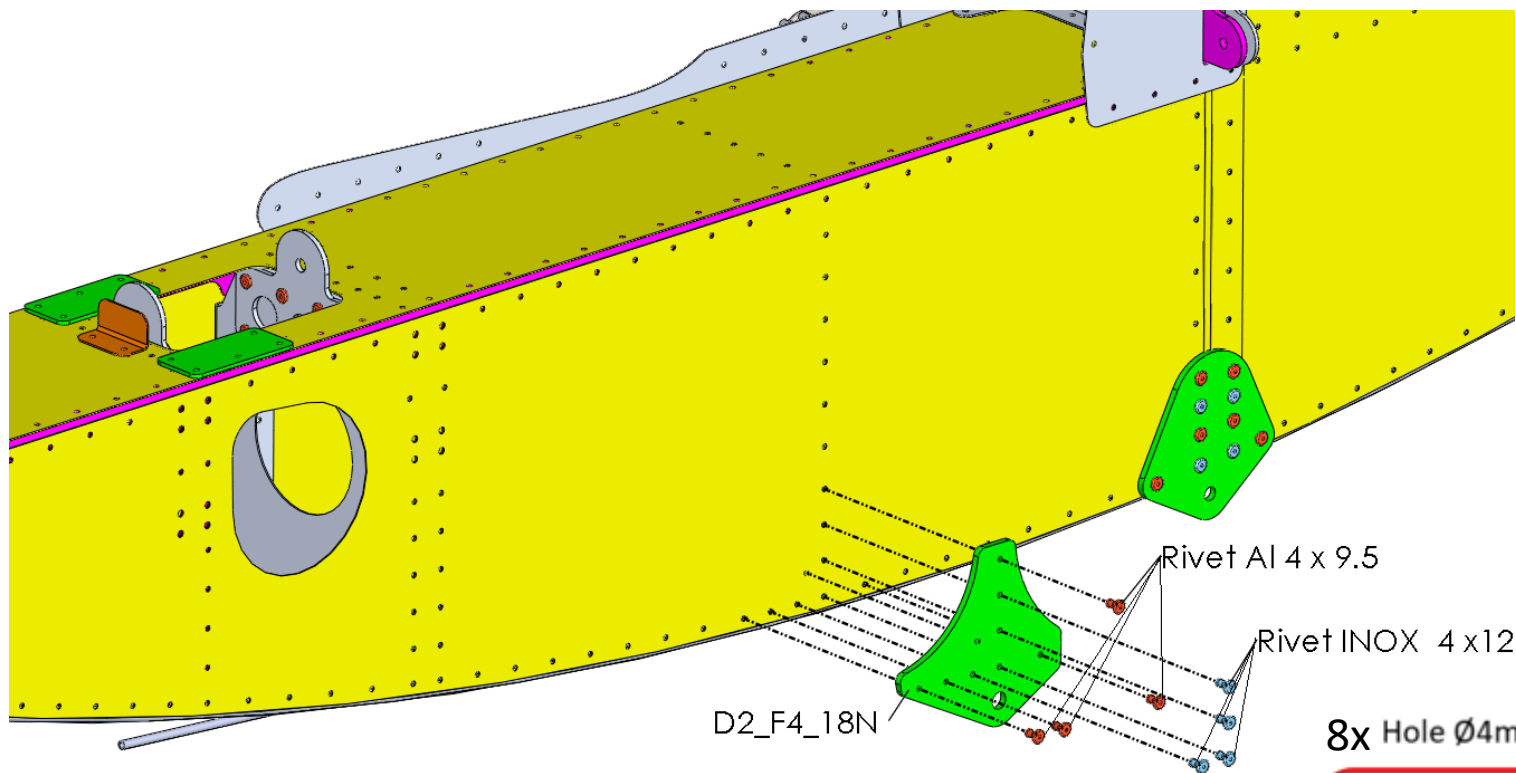
Step 6



Title	Document no.	Revision	Page	Pages
Fuselage assembly manual	D2_F0_00	Rev. 05	356	406



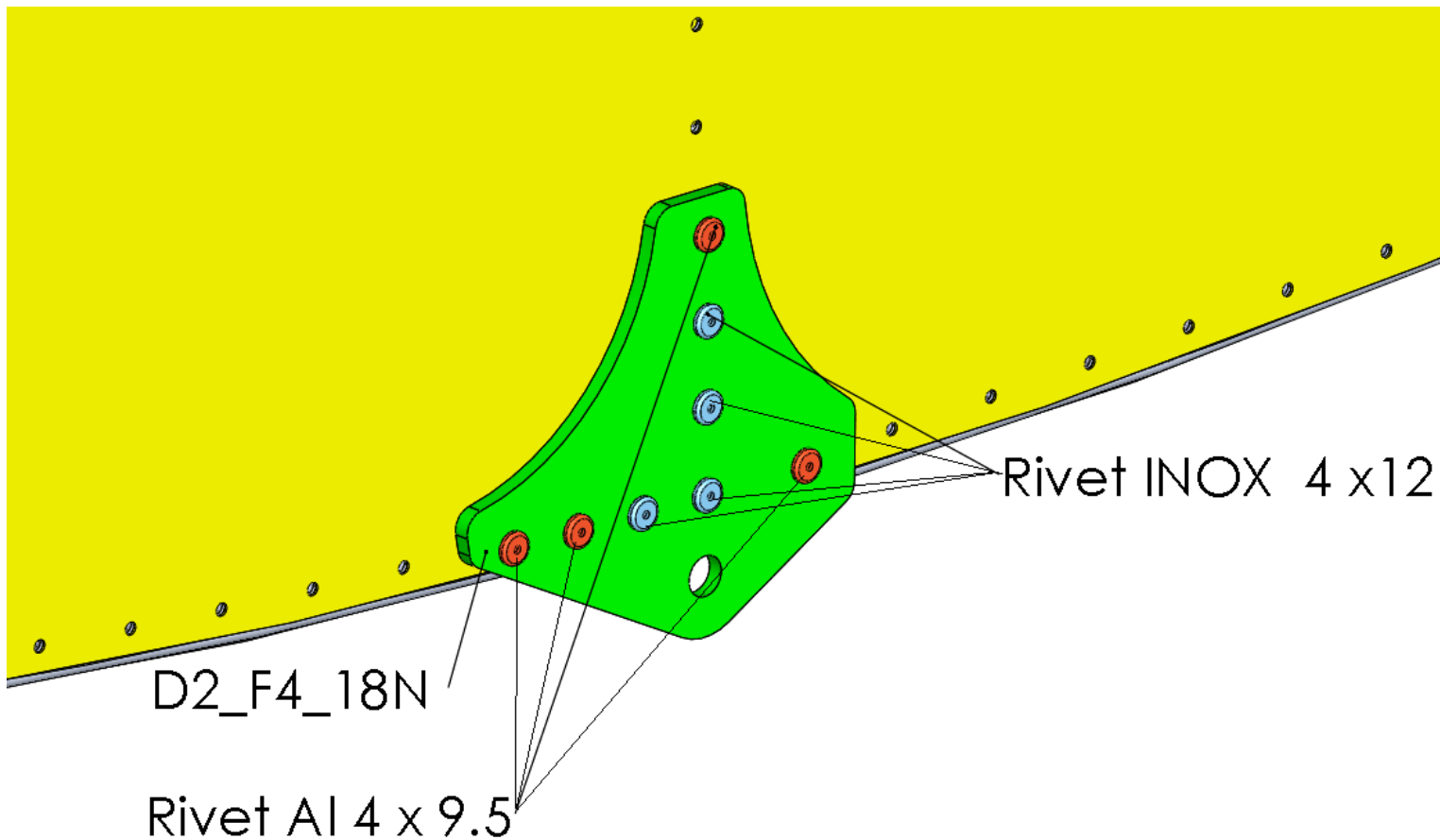
Step 7



Title	Document no.	Revision	Page	Pages
Fuselage assembly manual	D2_F0_00	Rev. 05	357	406



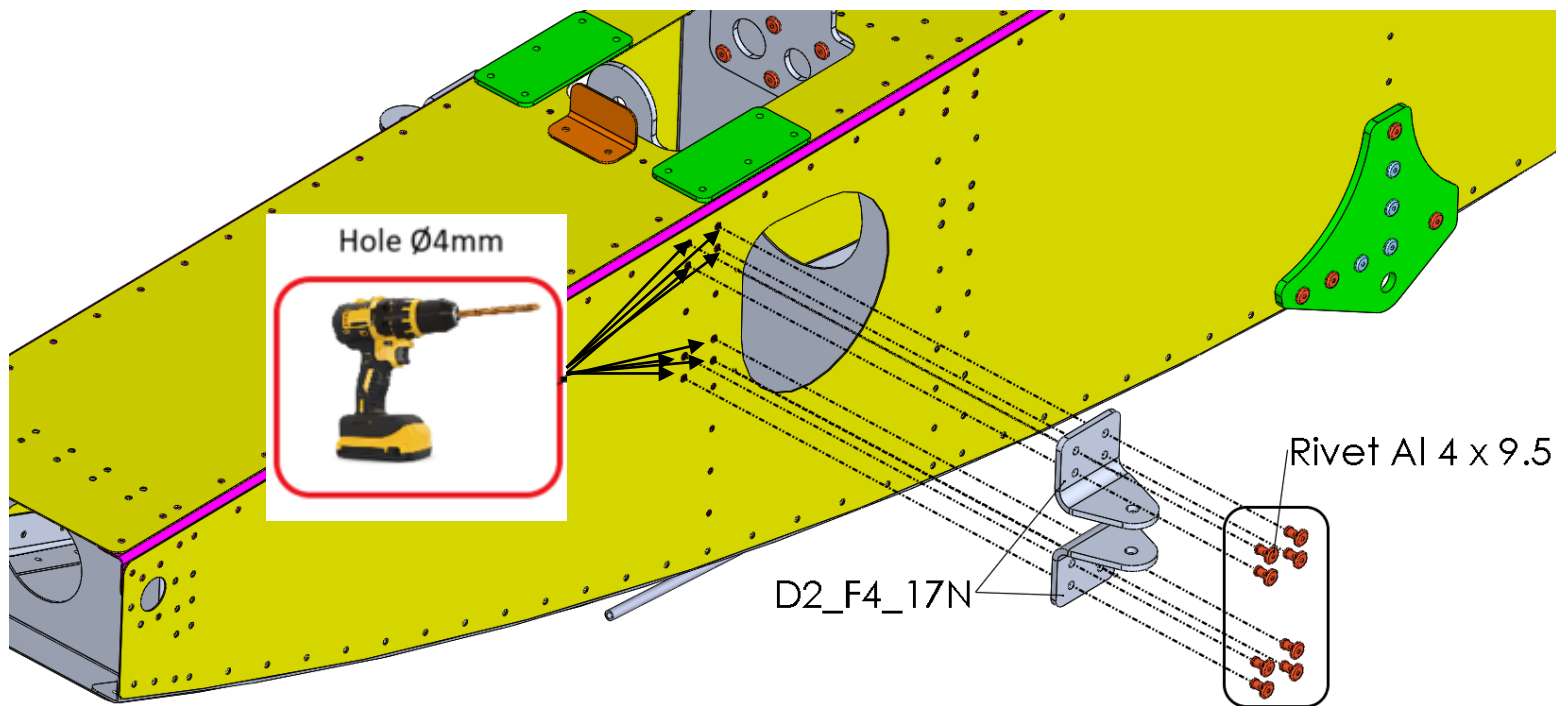
Step 8



Title	Document no.	Revision	Page	Pages
Fuselage assembly manual	D2_F0_00	Rev. 05	358	406



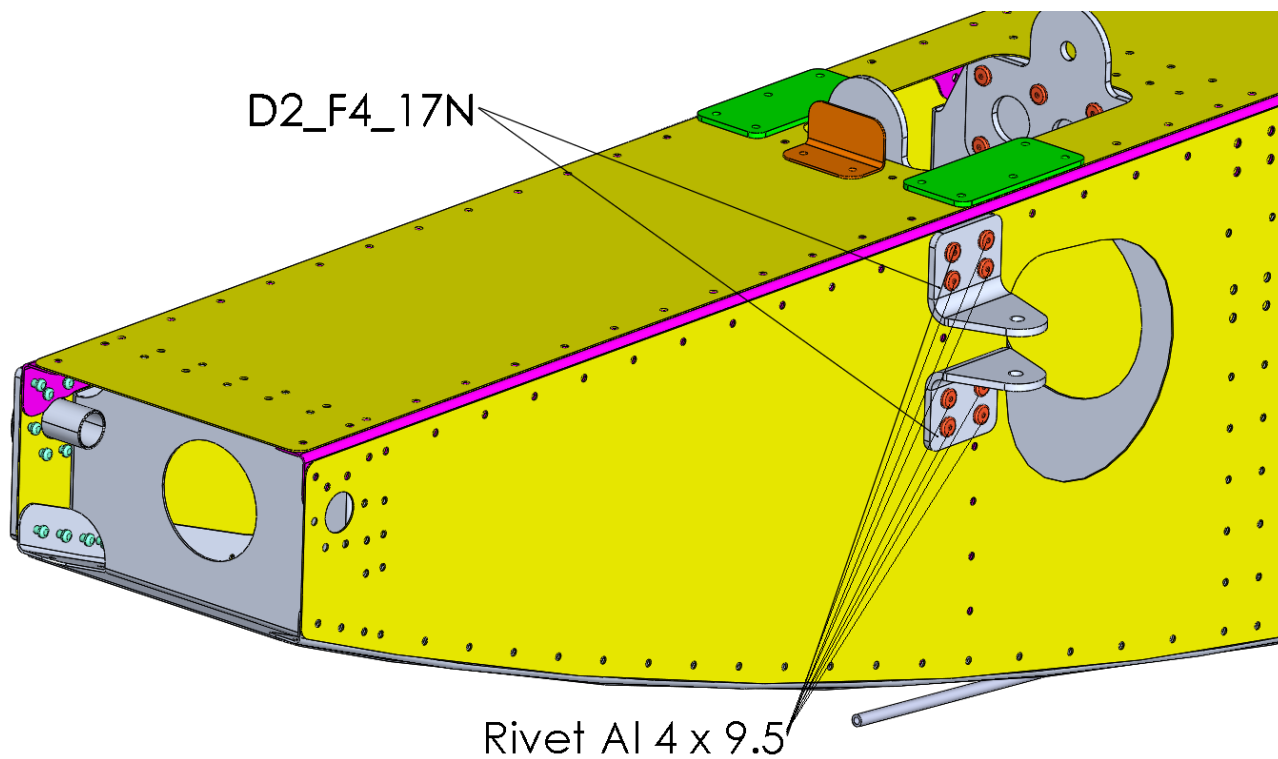
Step 9



Title	Document no.	Revision	Page	Pages
Fuselage assembly manual	D2_F0_00	Rev. 05	359	406



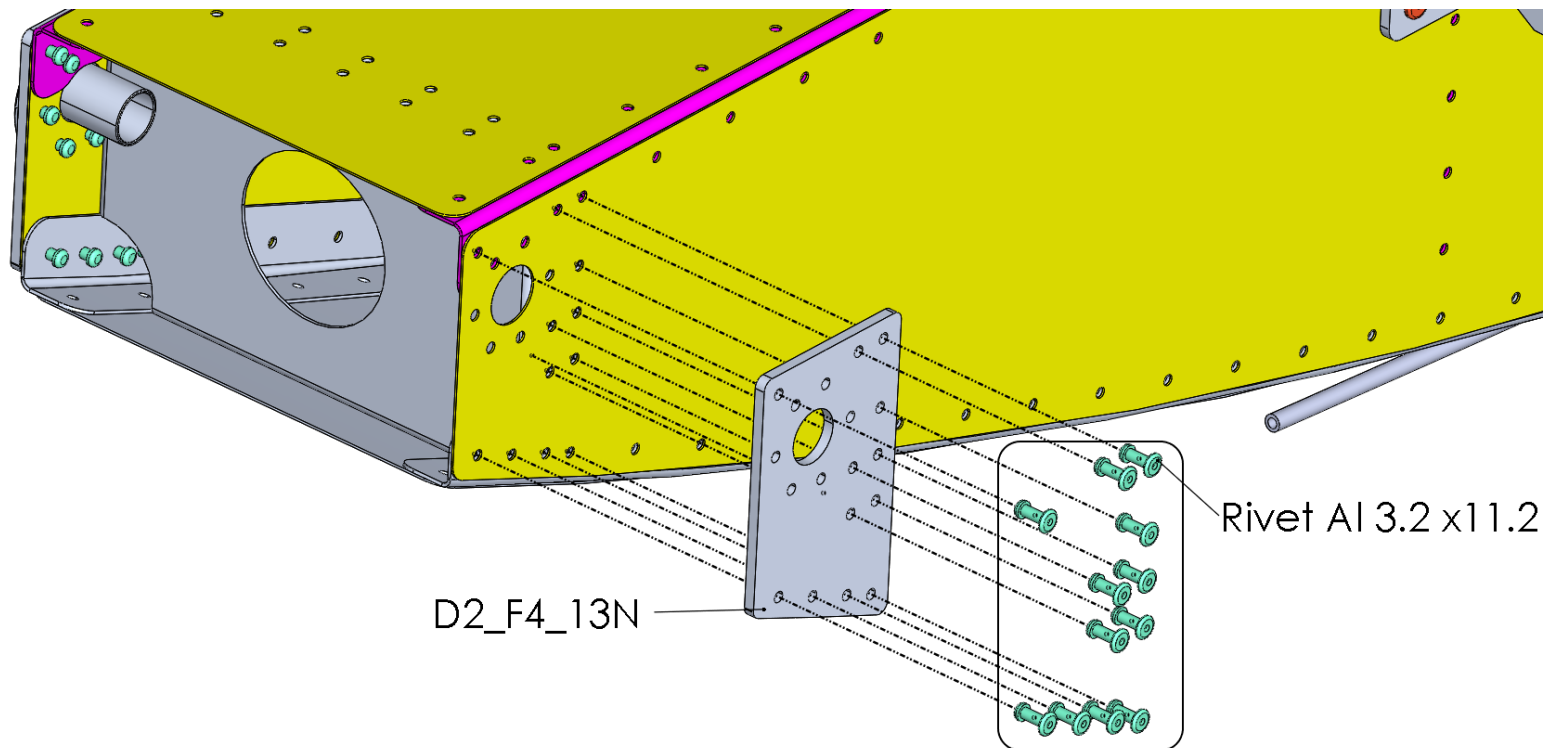
Step 10



Title	Document no.	Revision	Page	Pages
Fuselage assembly manual	D2_F0_00	Rev. 05	360	406



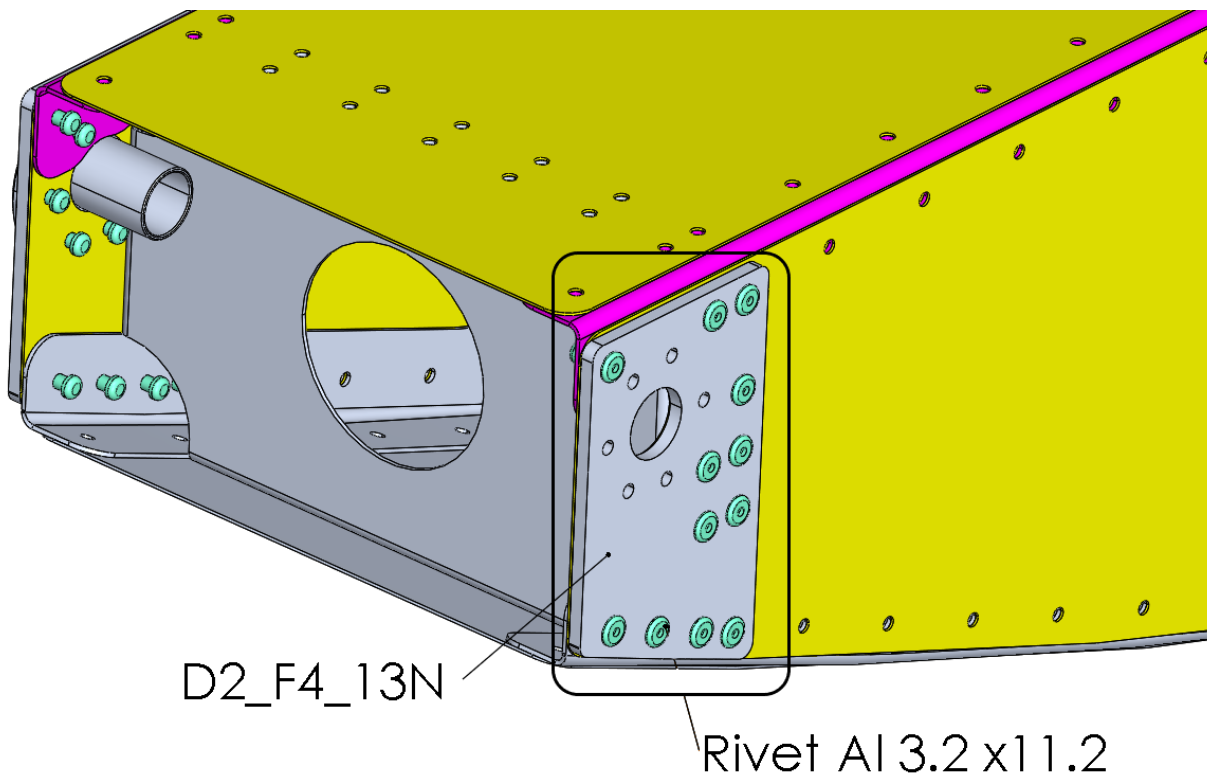
Step 11



Title	Document no.	Revision	Page	Pages
Fuselage assembly manual	D2_F0_00	Rev. 05	361	406



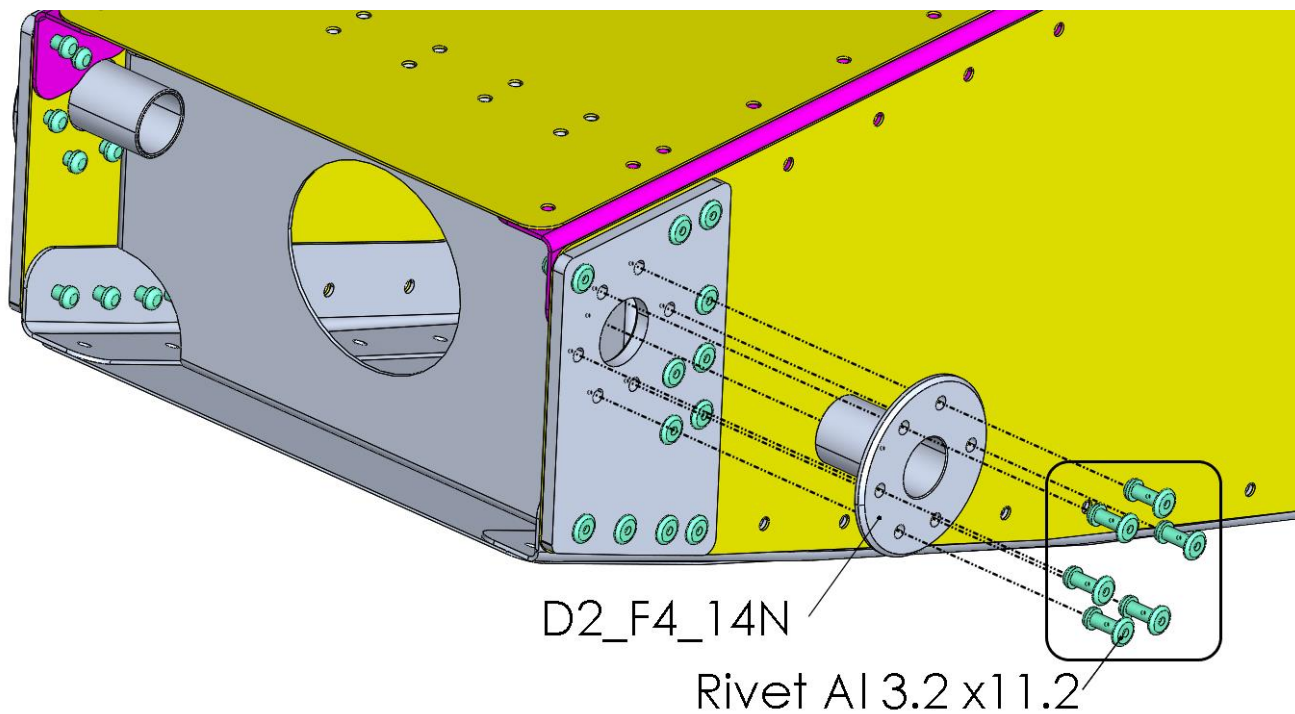
Step 12



Title	Document no.	Revision	Page	Pages
Fuselage assembly manual	D2_F0_00	Rev. 05	362	406



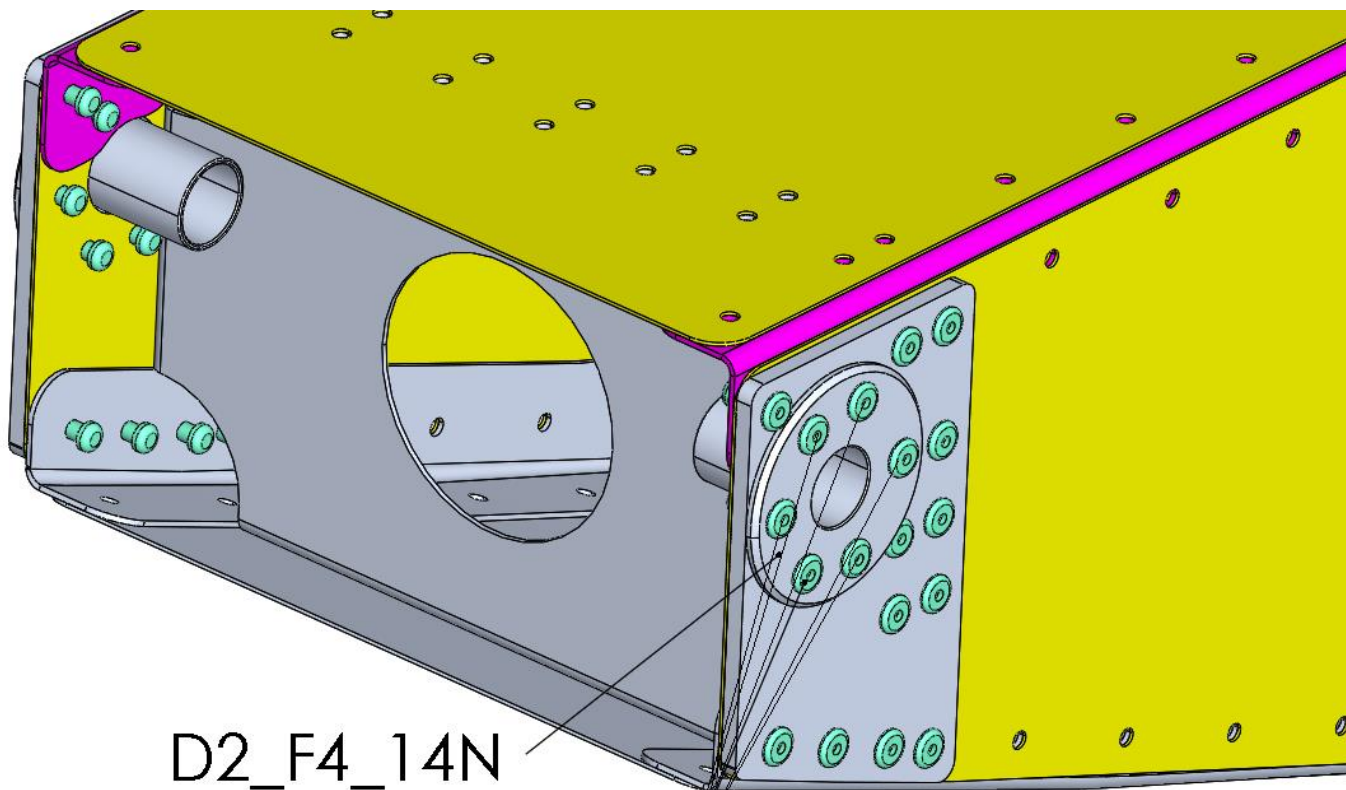
Step 13



Title	Document no.	Revision	Page	Pages
Fuselage assembly manual	D2_F0_00	Rev. 05	363	406



Step 14



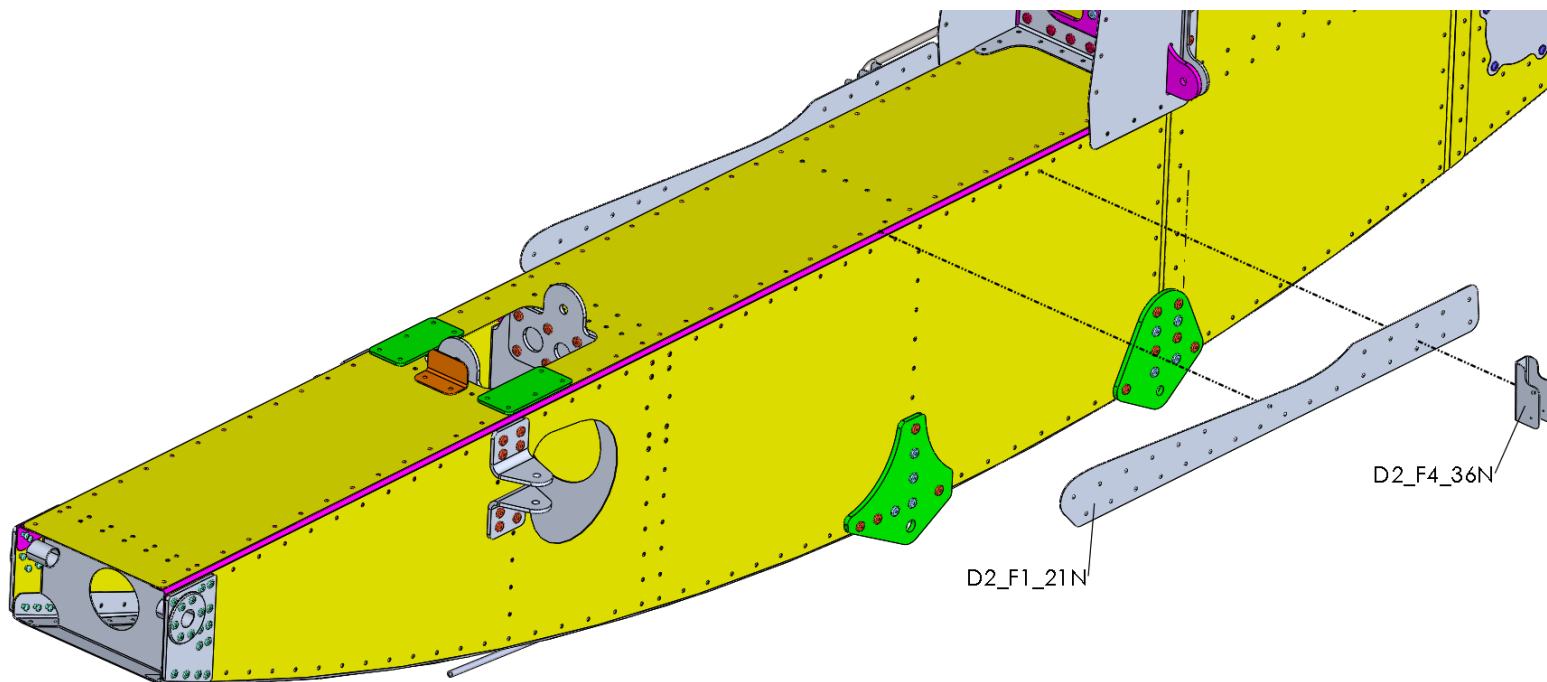
D2_F4_14N

Rivet Al 3.2 x11.2

Title	Document no.	Revision	Page	Pages
Fuselage assembly manual	D2_F0_00	Rev. 05	364	406



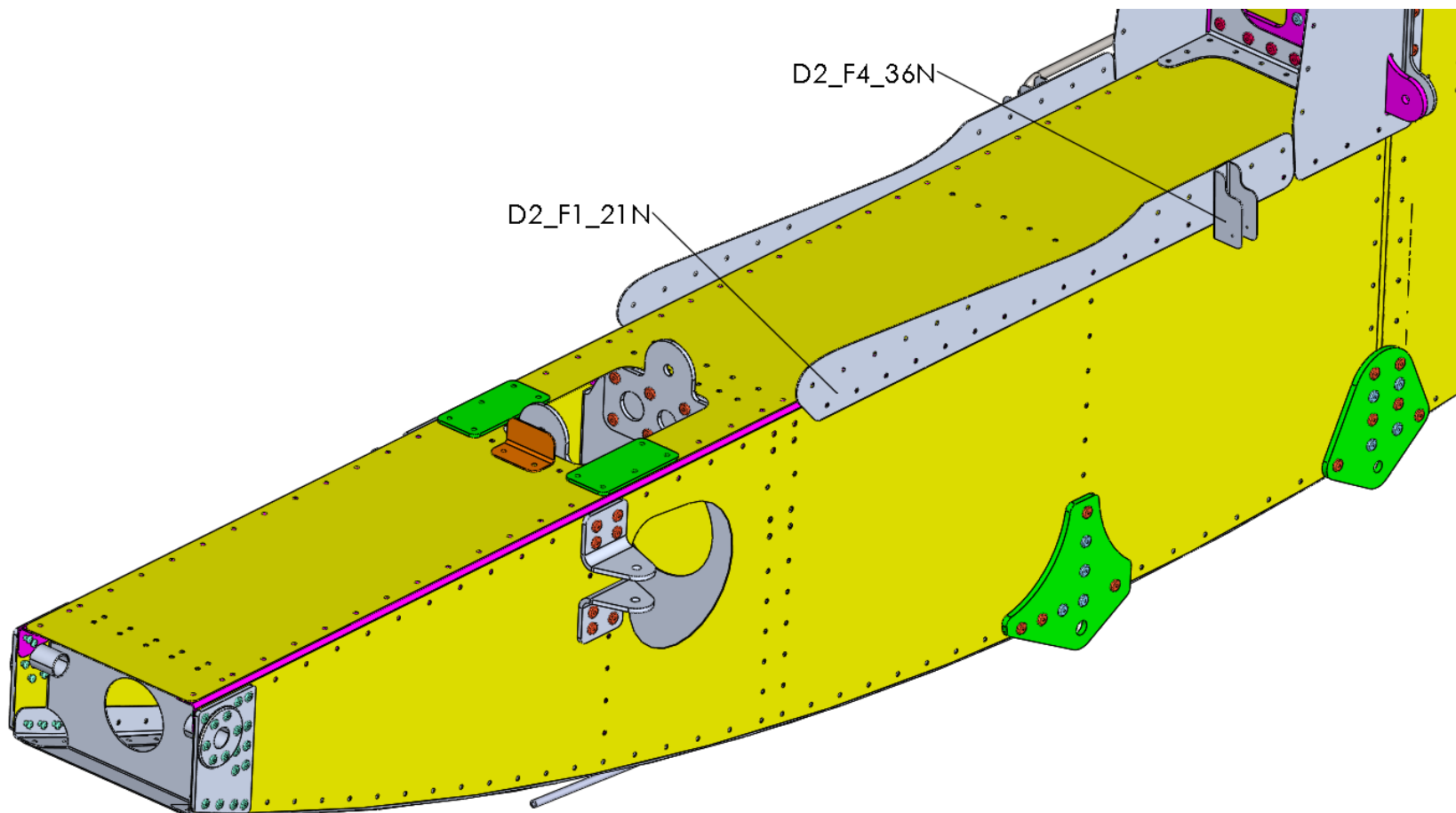
Step 15



Title	Document no.	Revision	Page	Pages
Fuselage assembly manual	D2_F0_00	Rev. 05	365	406



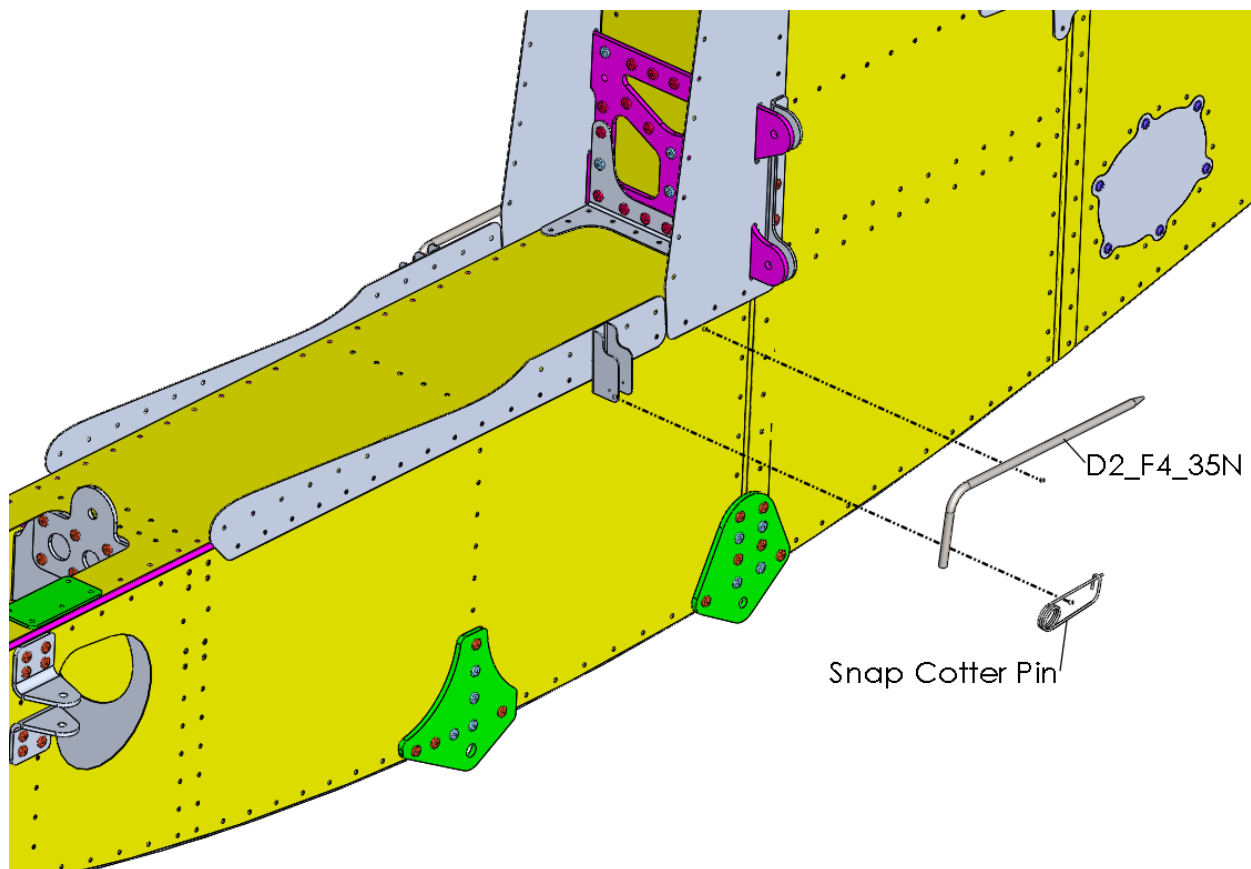
Step 16



Title	Document no.	Revision	Page	Pages
Fuselage assembly manual	D2_F0_00	Rev. 05	366	406



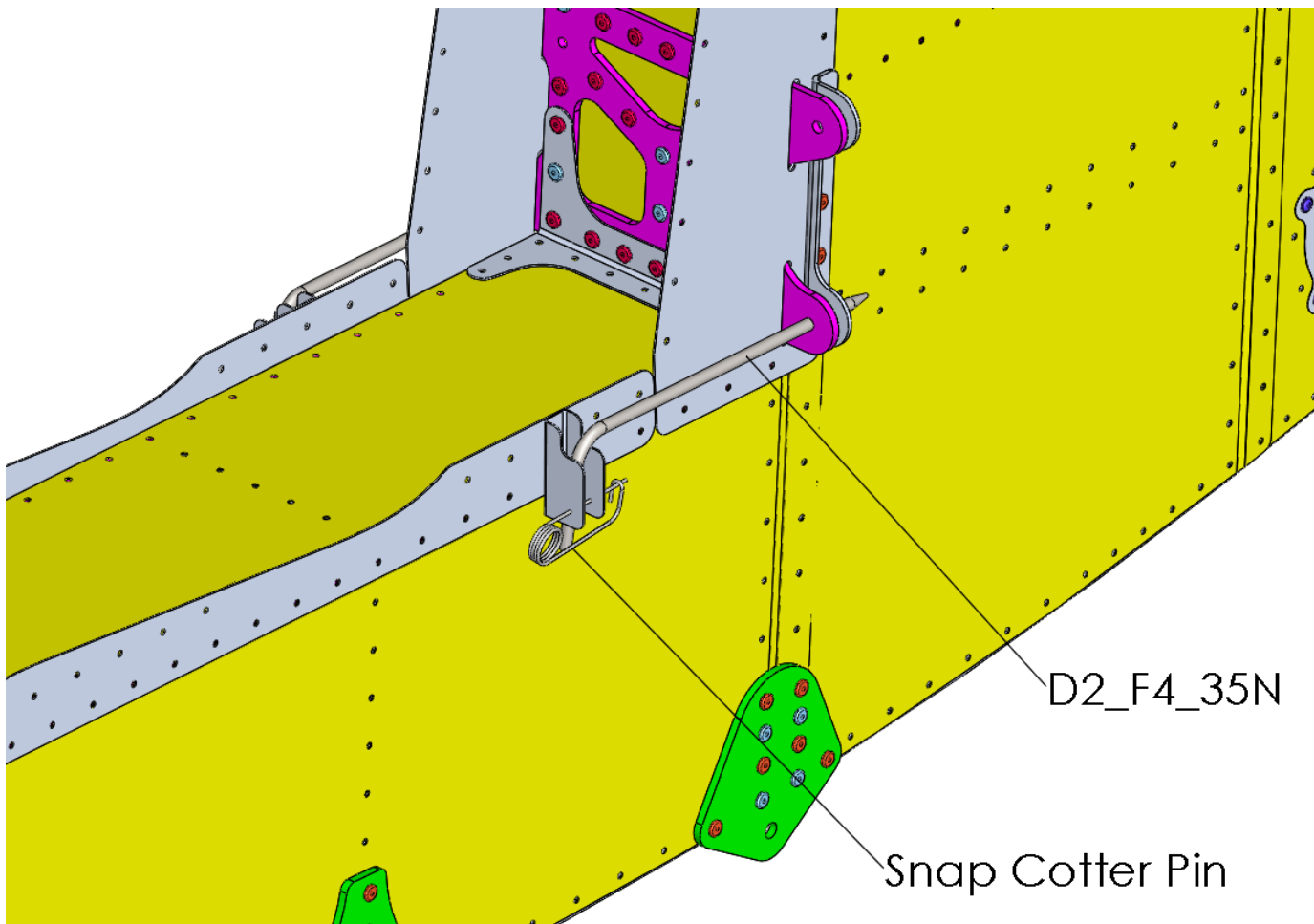
Step 17



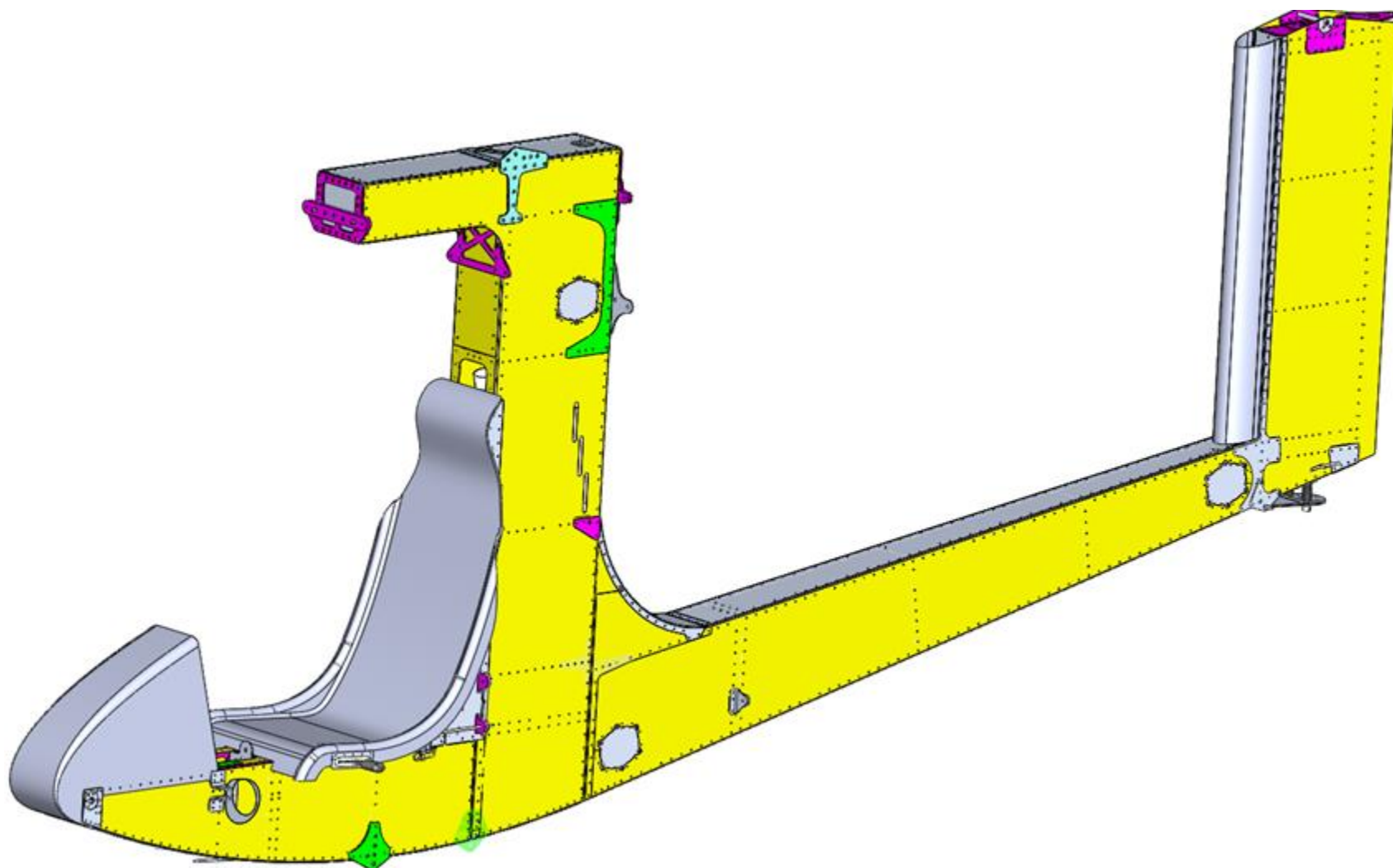
Title	Document no.	Revision	Page	Pages
Fuselage assembly manual	D2_F0_00	Rev. 05	367	406



Step 18



Title	Document no.	Revision	Page	Pages
Fuselage assembly manual	D2_F0_00	Rev. 05	368	406



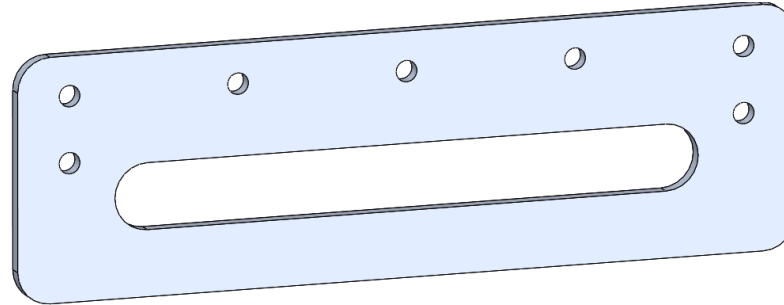
Title	Document no.	Revision	Page	Pages
Fuselage assembly manual	D2_F0_00	Rev. 05	369	406



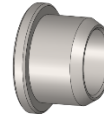
Detail: D2_F1_28N
Quantity: 1



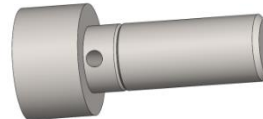
Detail: D2_F1_29N
Quantity: 1



Detail: D2_SP_01 Bushing 8x1
Quantity: 1



Detail: D2_F5_08N
Quantity: 1



Detail: D2_F5_09N
Quantity: 1

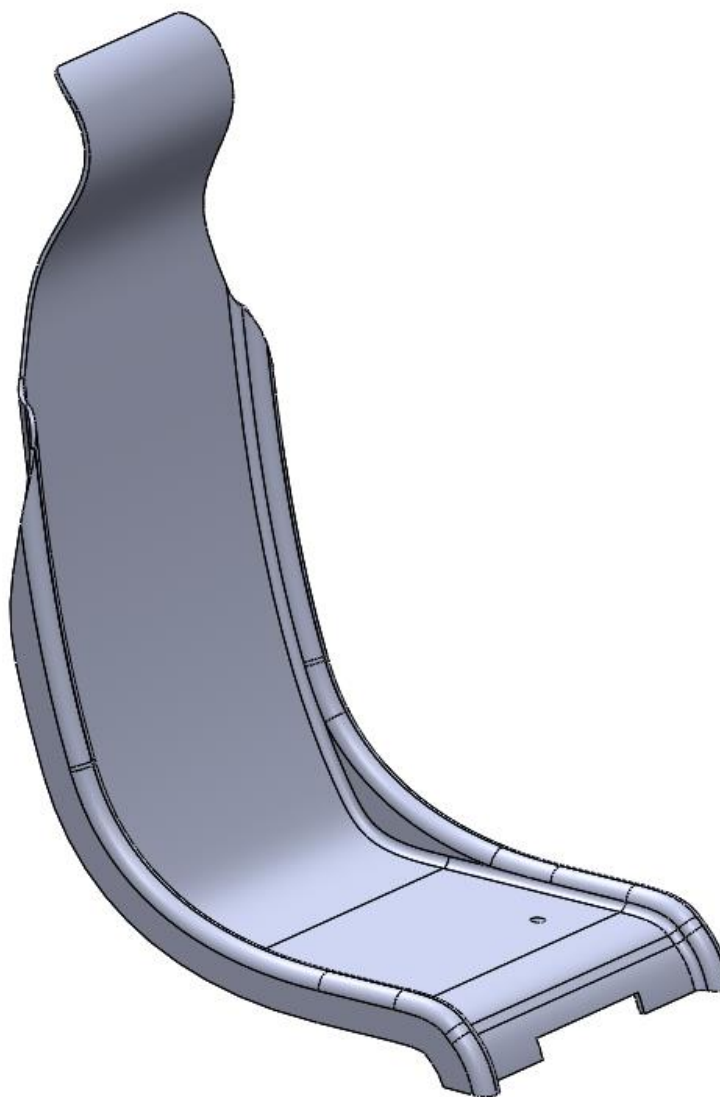


Title	Document no.	Revision	Page	Pages
Fuselage assembly manual	D2_F0_00	Rev. 05	370	406



Detail: D2_F1_30N

Quantity: 1

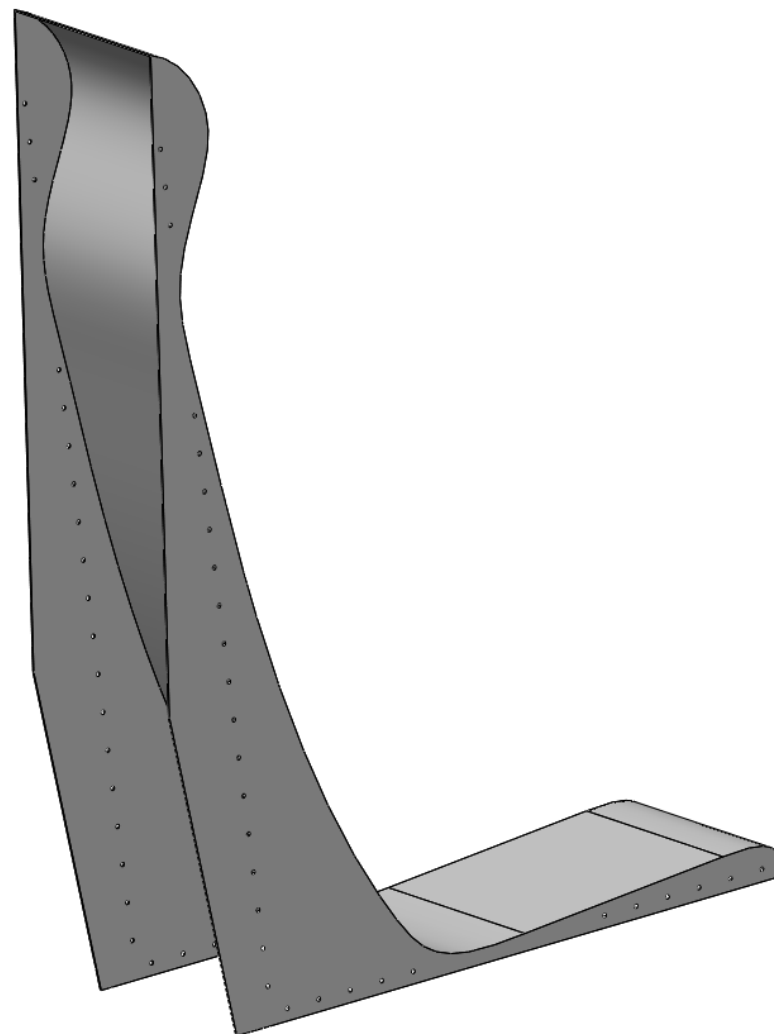


Title	Document no.	Revision	Page	Pages
Fuselage assembly manual	D2_F0_00	Rev. 05	371	406



Detail: D2_F1_31N

Quantity: 1

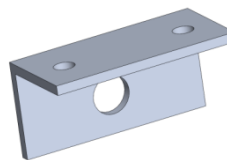


Title	Document no.	Revision	Page	Pages
Fuselage assembly manual	D2_F0_00	Rev. 05	372	406



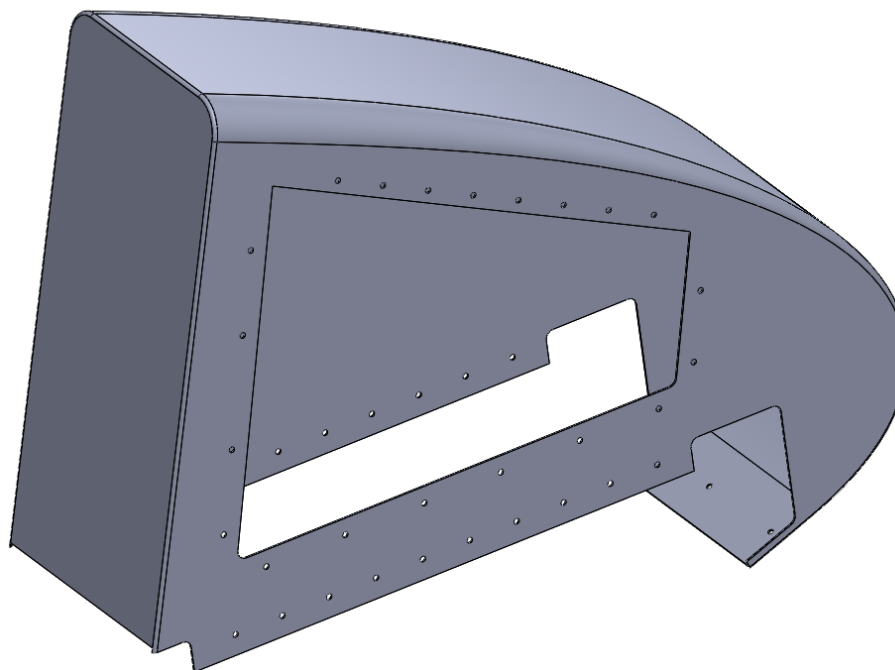
Detail: D2_F5_06N

Quantity: 1



Detail: D2_F7_01

Quantity: 1

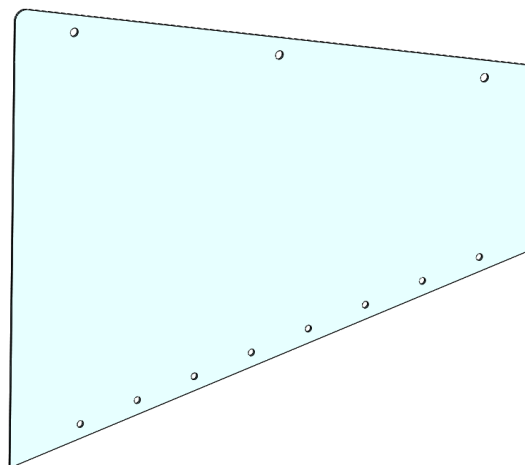


Title	Document no.	Revision	Page	Pages
Fuselage assembly manual	D2_F0_00	Rev. 05	373	406



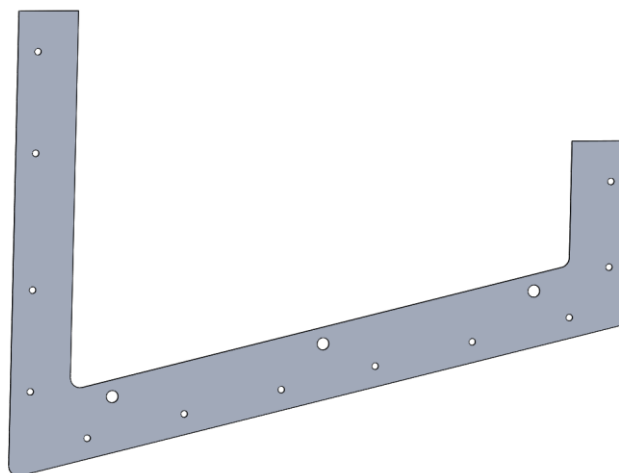
Detail: D2_F7_02

Quantity: 1



Detail: D2_F7_03

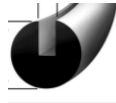
Quantity: 1



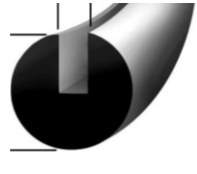
Title	Document no.	Revision	Page	Pages
Fuselage assembly manual	D2_F0_00	Rev. 05	374	406



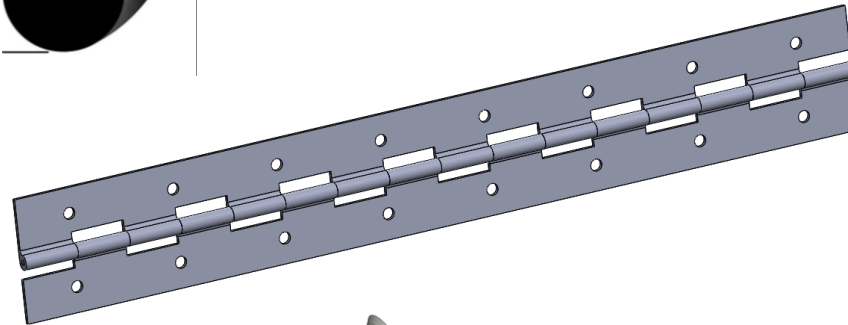
Detail: EDGE TRIM 6mm
Quantity: 0,3m



Detail: EDGE TRIM 10mm
Quantity: 0,4m



Detail: PIANO HINGE
Quantity: 1



Detail: RIVNUT M4
Quantity: 3



Detail: BOLT DIN 7991 M6
Quantity: 1



Detail: BOWDEN BOLT
Quantity: 1



Title	Document no.	Revision	Page	Pages
Fuselage assembly manual	D2_F0_00	Rev. 05	375	406



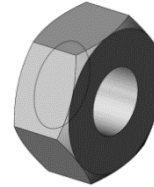
Detail: DIN 9021 WASHER M6

Quantity: 2



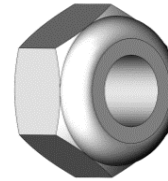
Detail: DIN 934 NUT M6

Quantity: 2



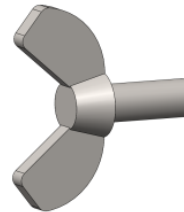
Detail: DIN 985 M6 NYLOCK NUT

Quantity: 2



Detail: WING BOLT DIN 316 M4

Quantity: 3



Detail: DIN 125 WASHER M6

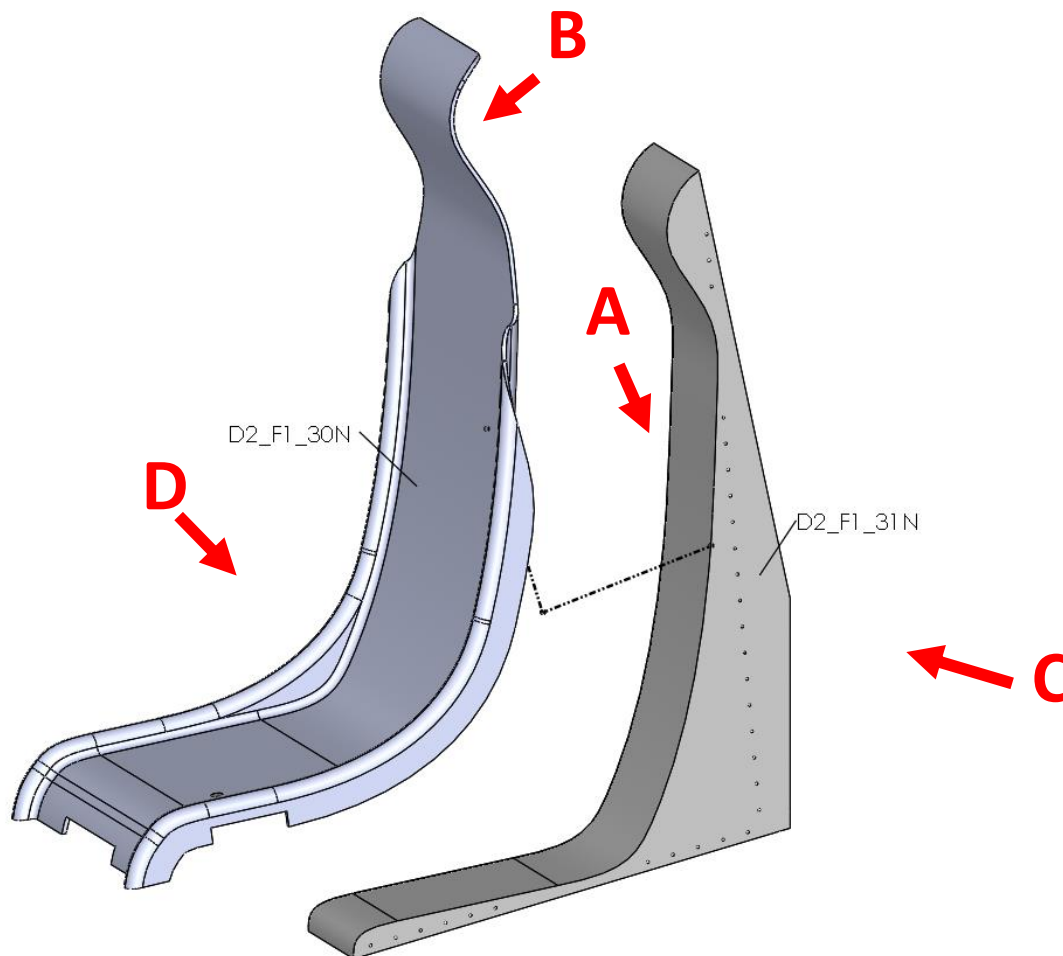
Quantity: 1



Title	Document no.	Revision	Page	Pages
Fuselage assembly manual	D2_F0_00	Rev. 05	376	406



Step 1



Title	Document no.	Revision	Page	Pages
Fuselage assembly manual	D2_F0_00	Rev. 05	377	406



Step 2

A



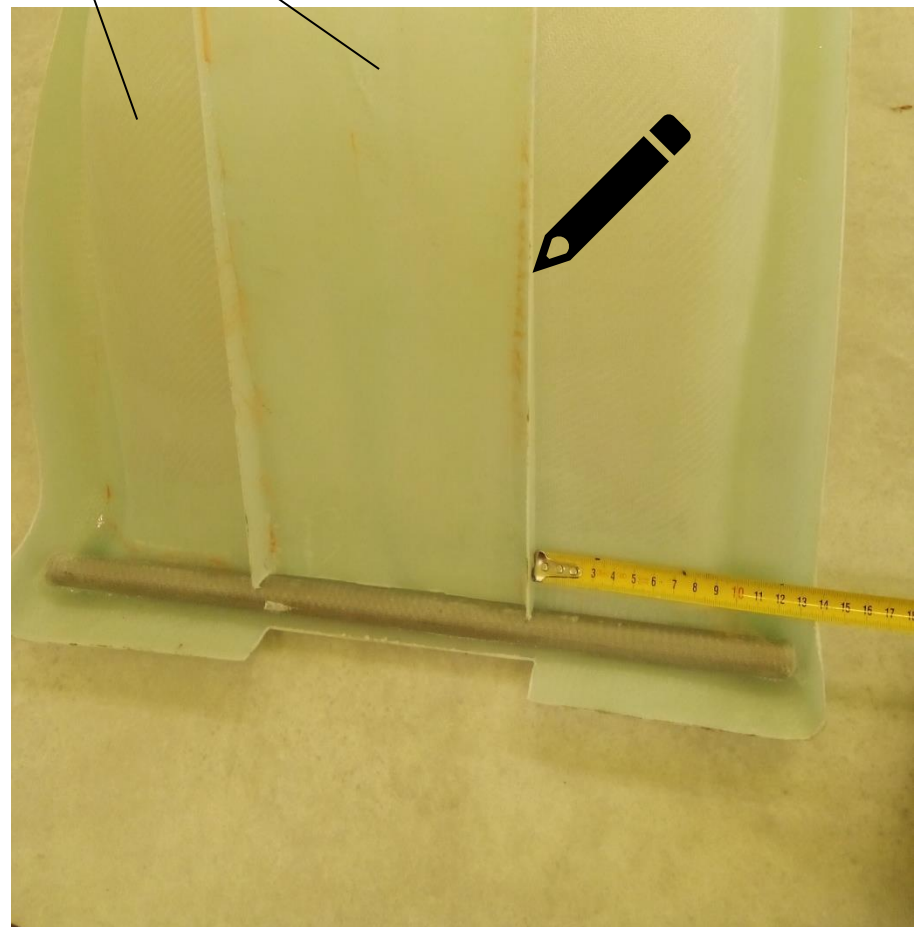
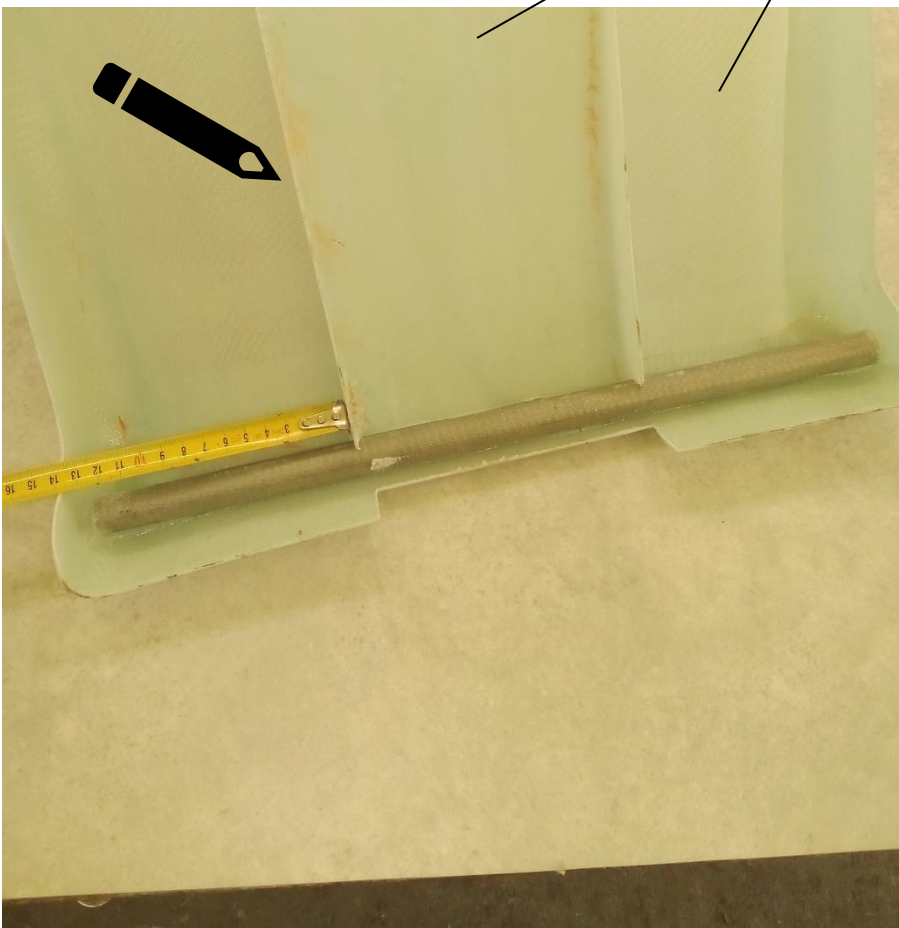
Title	Document no.	Revision	Page	Pages
Fuselage assembly manual	D2_F0_00	Rev. 05	378	406



Step 3

D2_F1_31N

D2_F1_30N



Title	Document no.	Revision	Page	Pages
Fuselage assembly manual	D2_F0_00	Rev. 05	379	406



B

Step 4

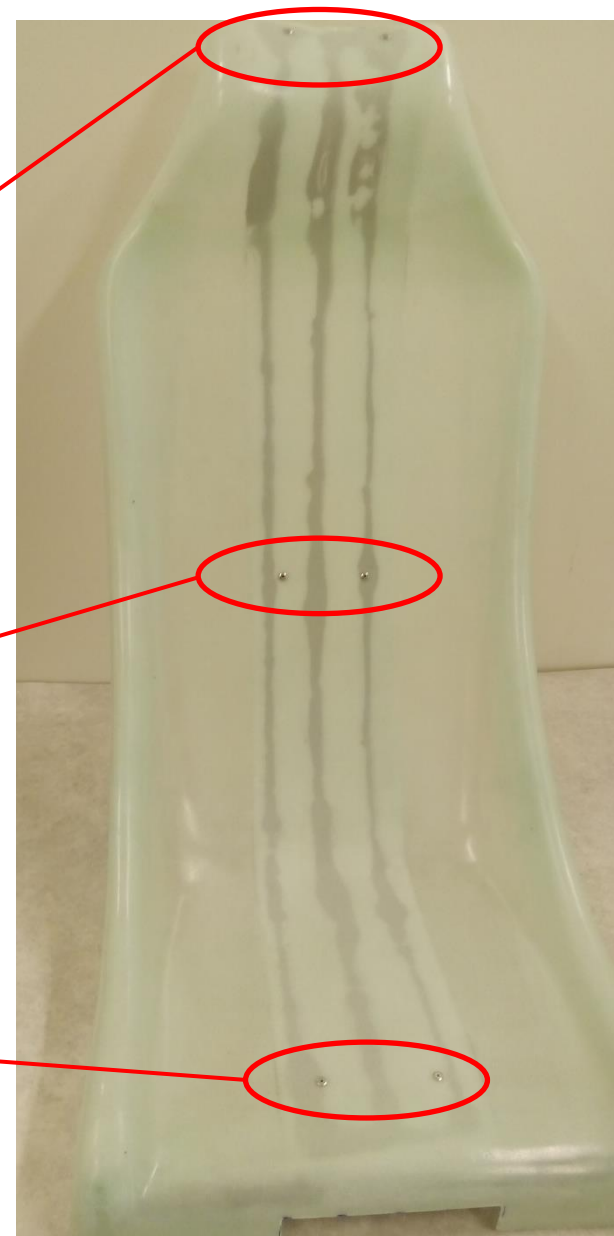


Title	Document no.	Revision	Page	Pages
Fuselage assembly manual	D2_F0_00	Rev. 05	380	406



C

Step 5



Title	Document no.	Revision	Page	Pages
Fuselage assembly manual	D2_F0_00	Rev. 05	381	406



Step 6



Title	Document no.	Revision	Page	Pages
Fuselage assembly manual	D2_F0_00	Rev. 05	382	406



A

Step 7



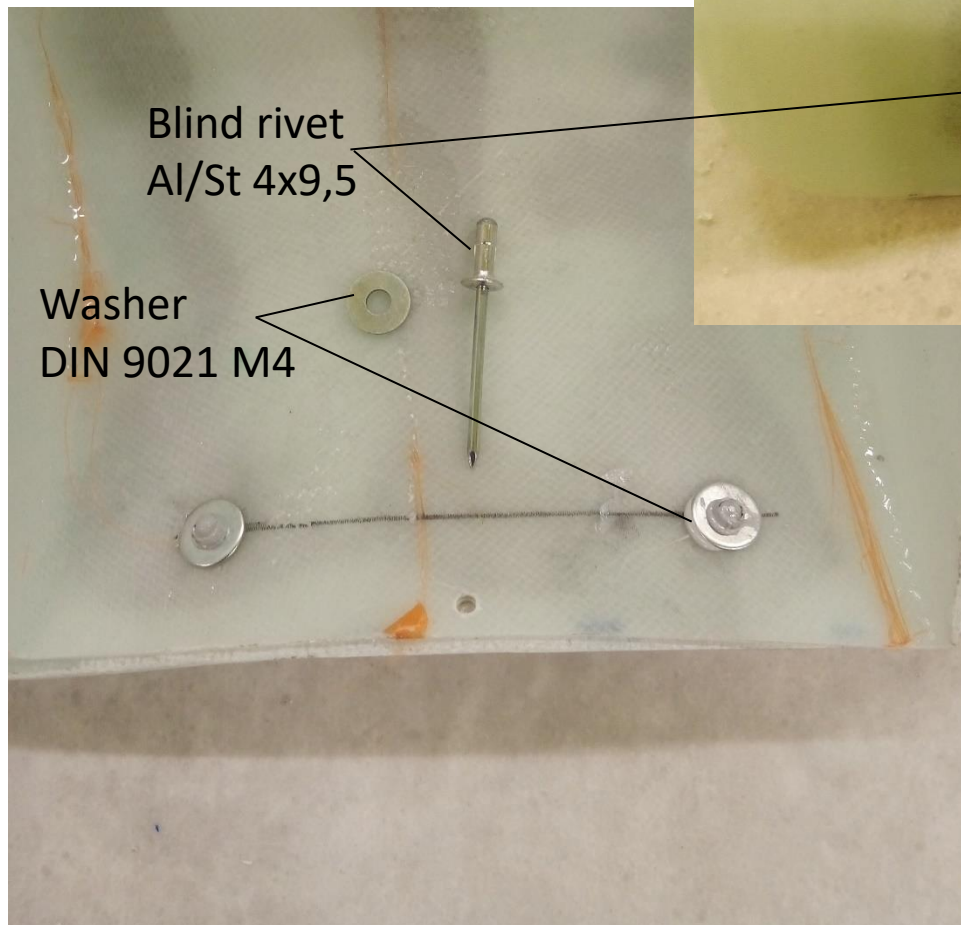
Title	Document no.	Revision	Page	Pages
Fuselage assembly manual	D2_F0_00	Rev. 05	383	406



D

Step 8

C



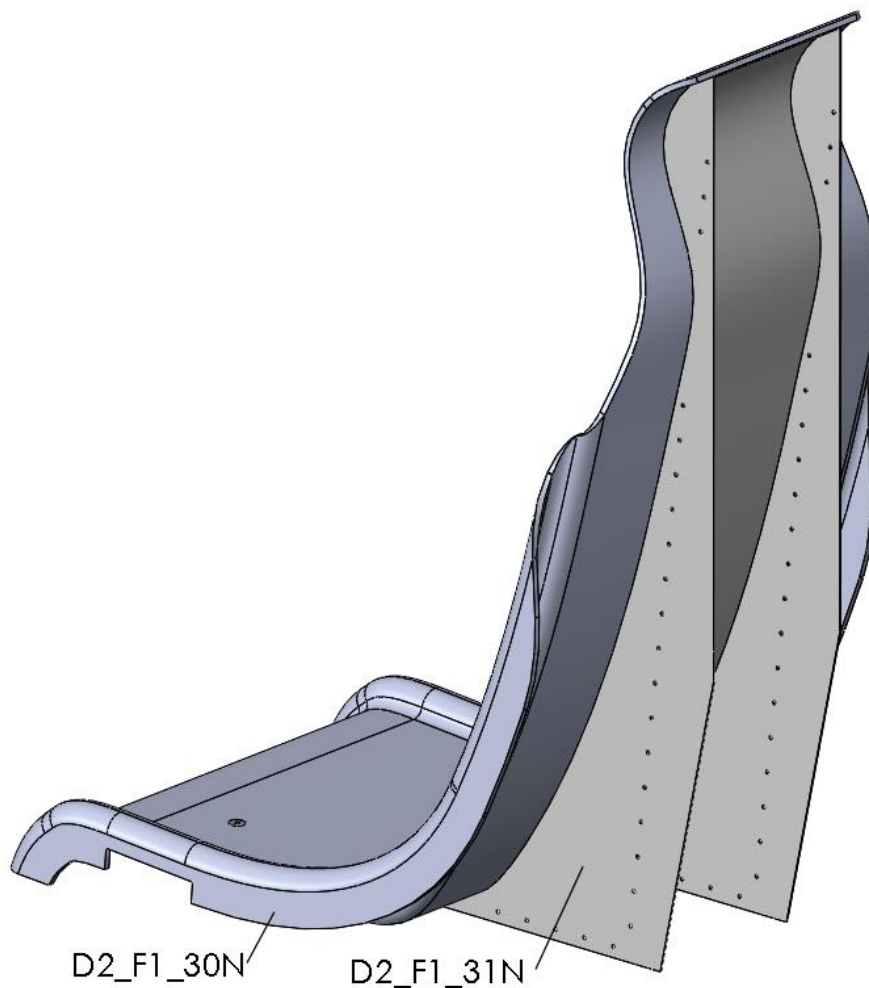
Blind rivet
Al/St 4x9,5

Washer
DIN 9021 M4

Title	Document no.	Revision	Page	Pages
Fuselage assembly manual	D2_F0_00	Rev. 05	384	406



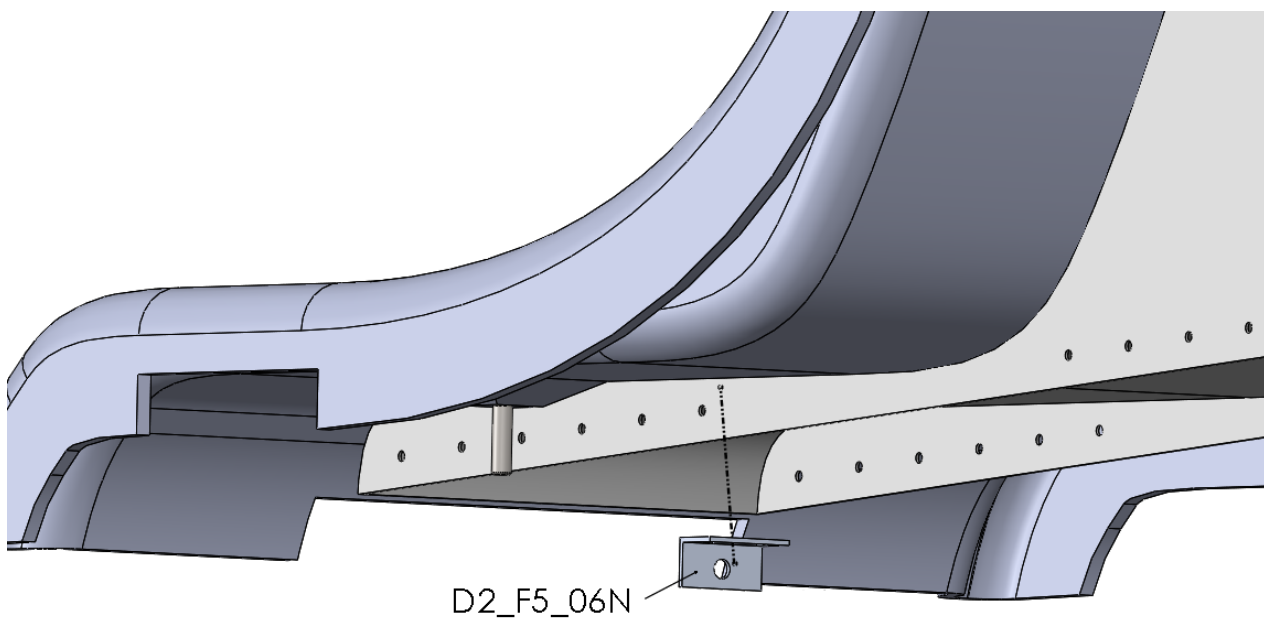
Step 9



Title	Document no.	Revision	Page	Pages
Fuselage assembly manual	D2_F0_00	Rev. 05	385	406



Step 10



Title	Document no.	Revision	Page	Pages
Fuselage assembly manual	D2_F0_00	Rev. 05	386	406



Step 11

A



D2_F1_30N

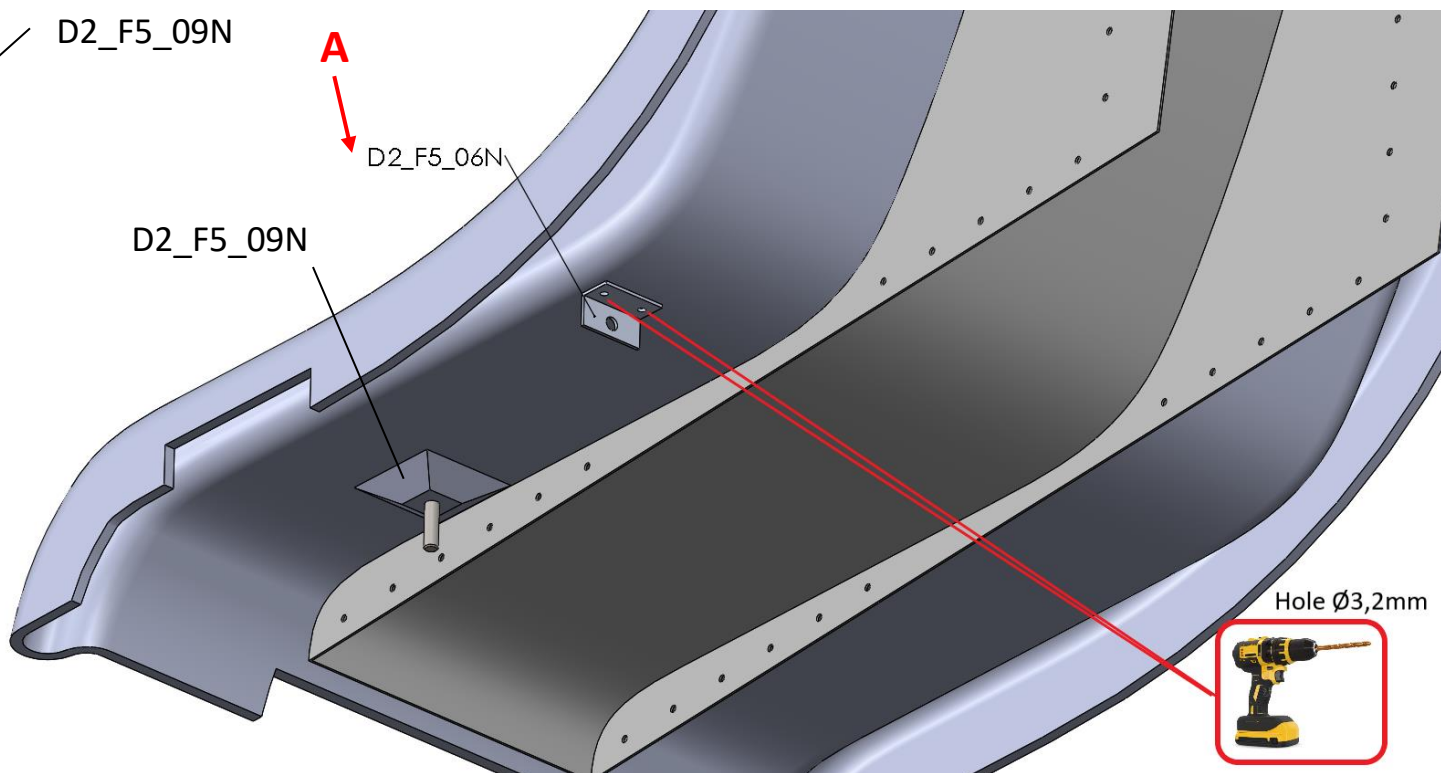
D2_F5_09N

Al 3,2x11,2

A

D2_F5_06N

D2_F5_09N

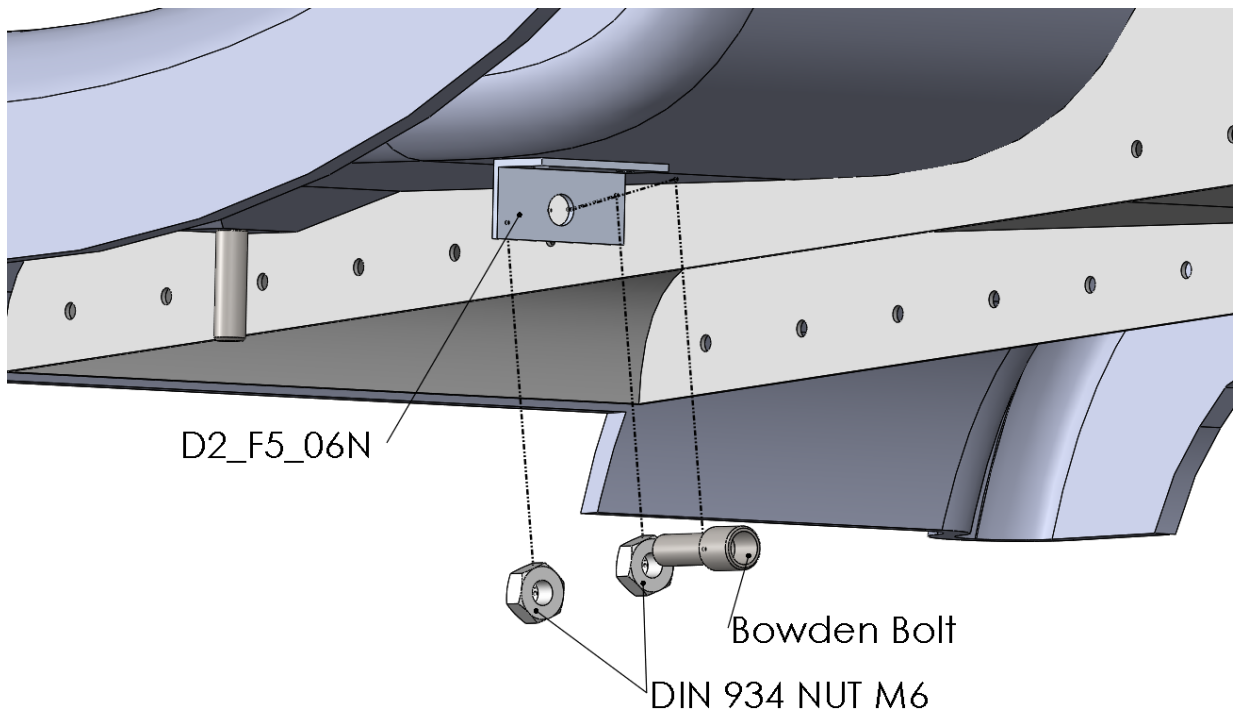


Hole \varnothing 3,2mm

Title	Document no.	Revision	Page	Pages
Fuselage assembly manual	D2_F0_00	Rev. 05	387	406



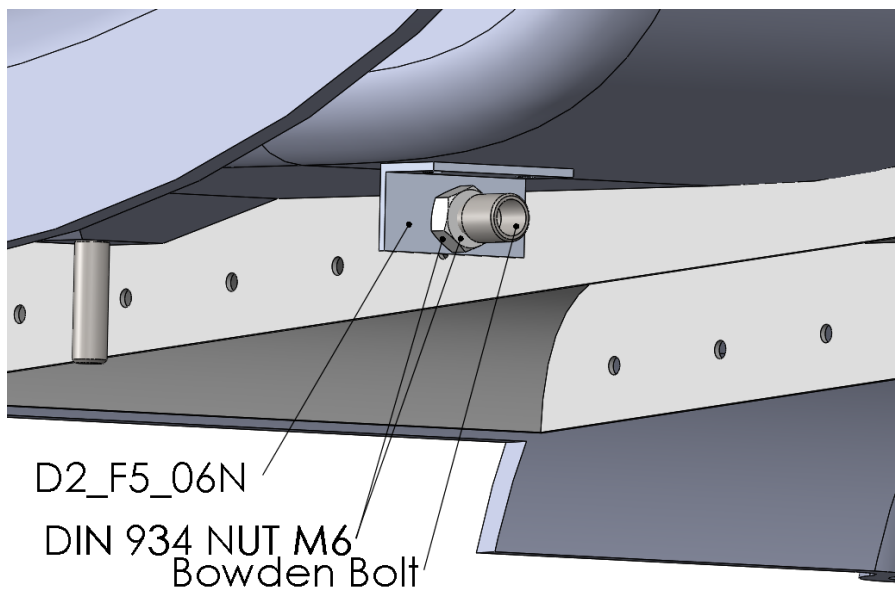
Step 12



Title	Document no.	Revision	Page	Pages
Fuselage assembly manual	D2_F0_00	Rev. 05	388	406



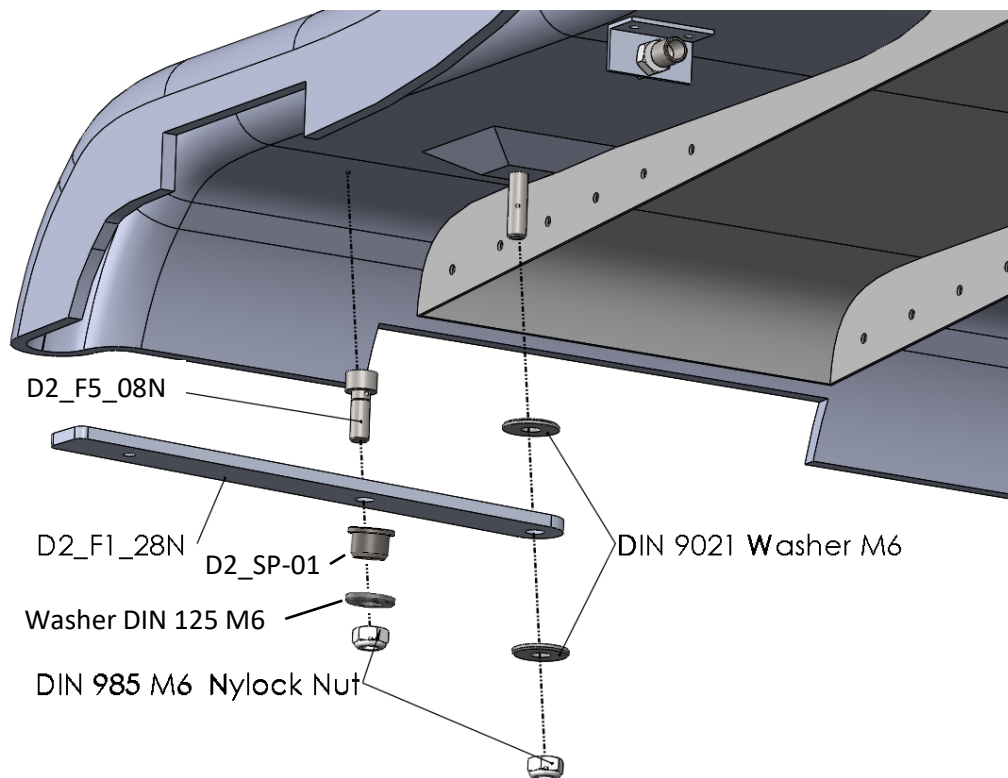
Step 13



Title	Document no.	Revision	Page	Pages
Fuselage assembly manual	D2_F0_00	Rev. 05	389	406



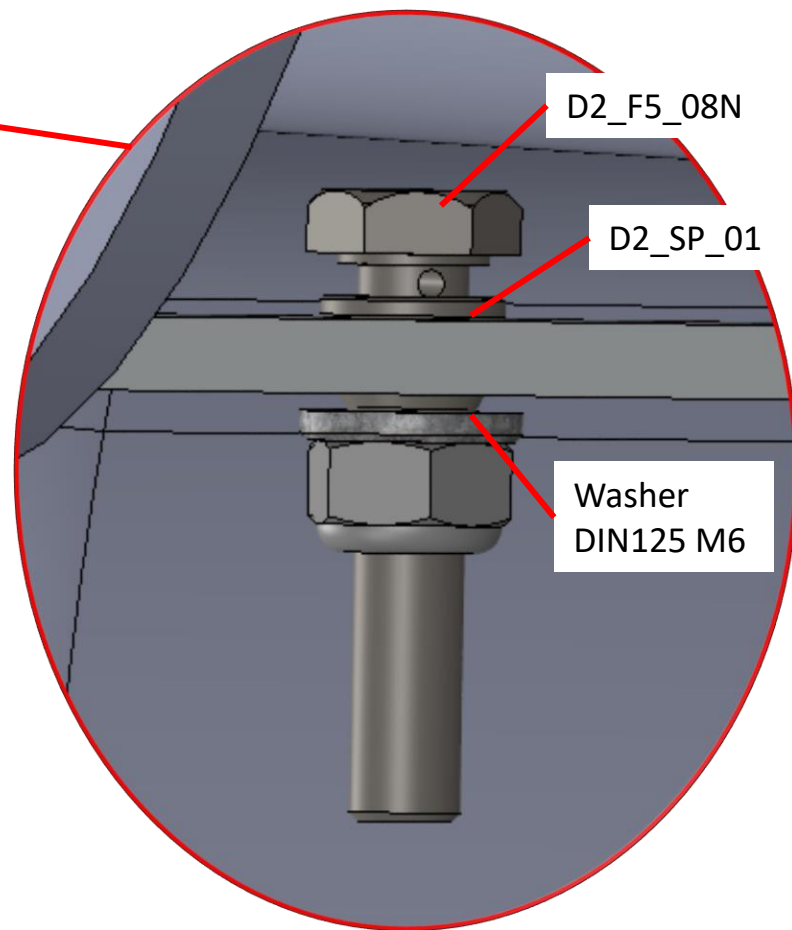
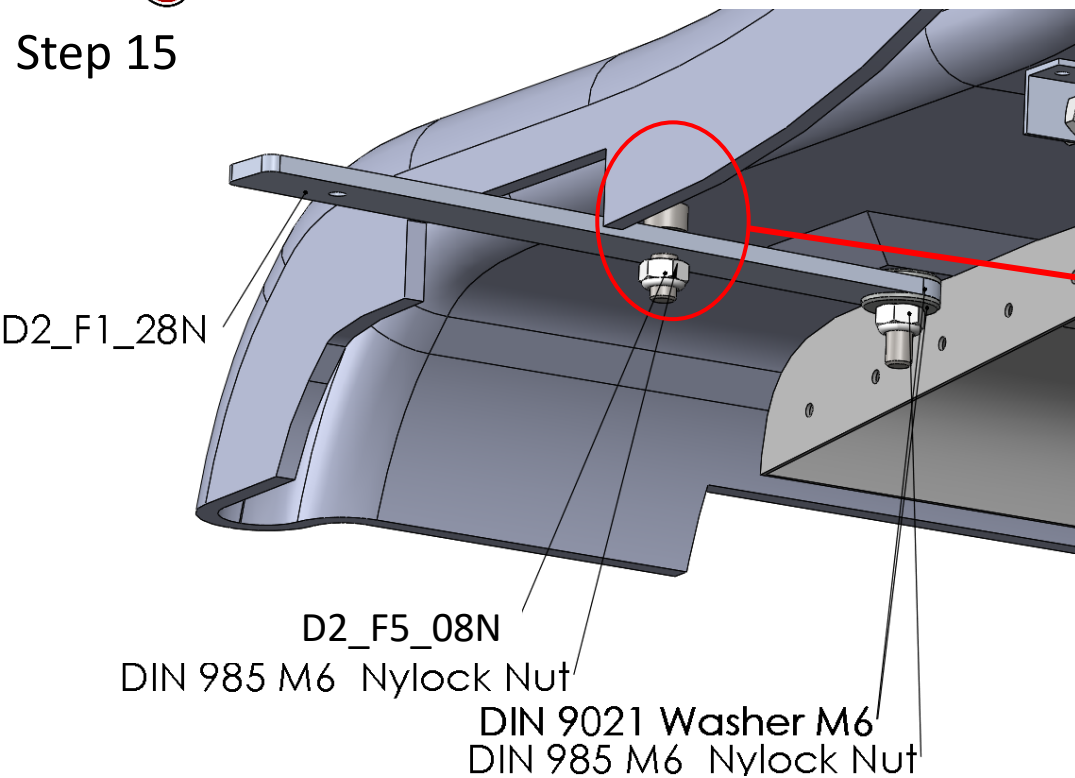
Step 14



Title	Document no.	Revision	Page	Pages
Fuselage assembly manual	D2_F0_00	Rev. 05	390	406



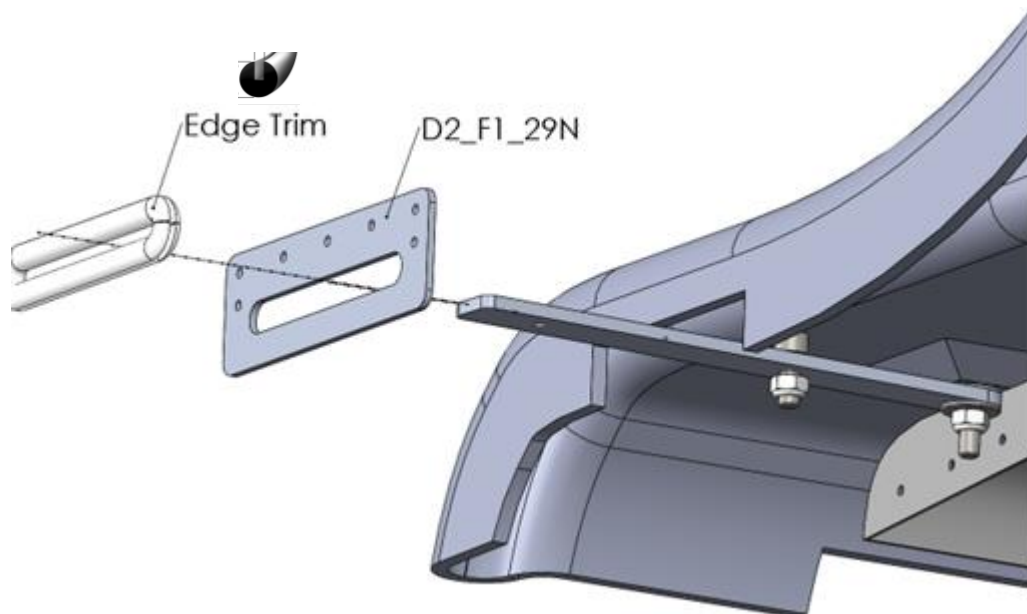
Step 15



Title	Document no.	Revision	Page	Pages
Fuselage assembly manual	D2_F0_00	Rev. 05	391	406



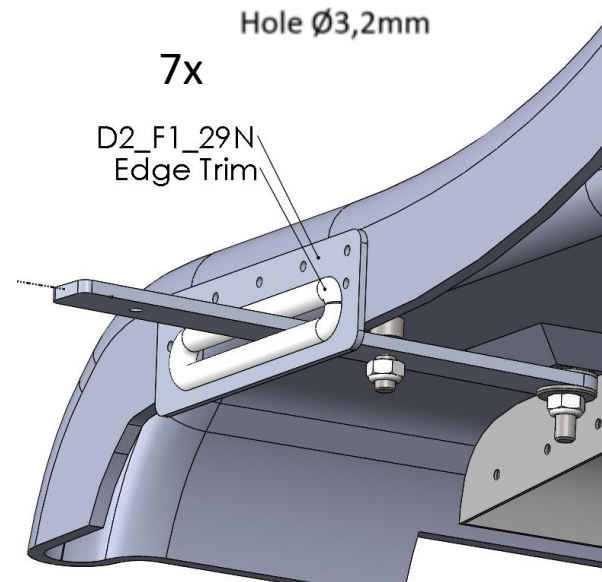
Step 16



Hole $\varnothing 3,2\text{mm}$

7x

D2_F1_29N
Edge Trim



Title	Document no.	Revision	Page	Pages
Fuselage assembly manual	D2_F0_00	Rev. 05	392	406



Step 19



Hole $\varnothing 3,2\text{mm}$

A
A



Edge trim 10mm

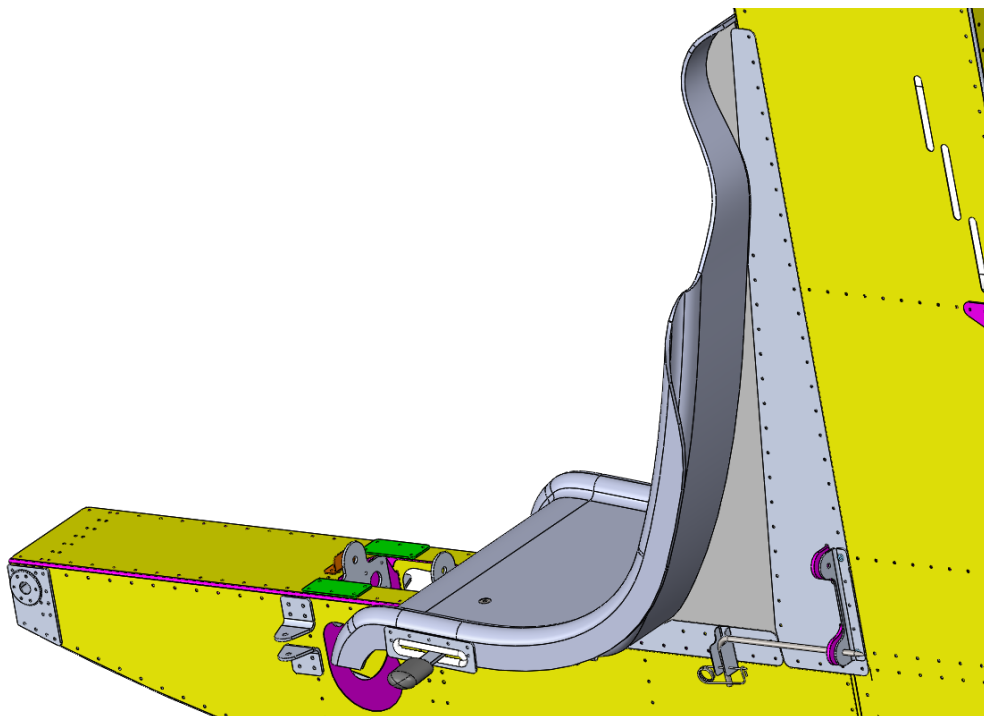


Edge trim 10mm

Title	Document no.	Revision	Page	Pages
Fuselage assembly manual	D2_F0_00	Rev. 05	393	406



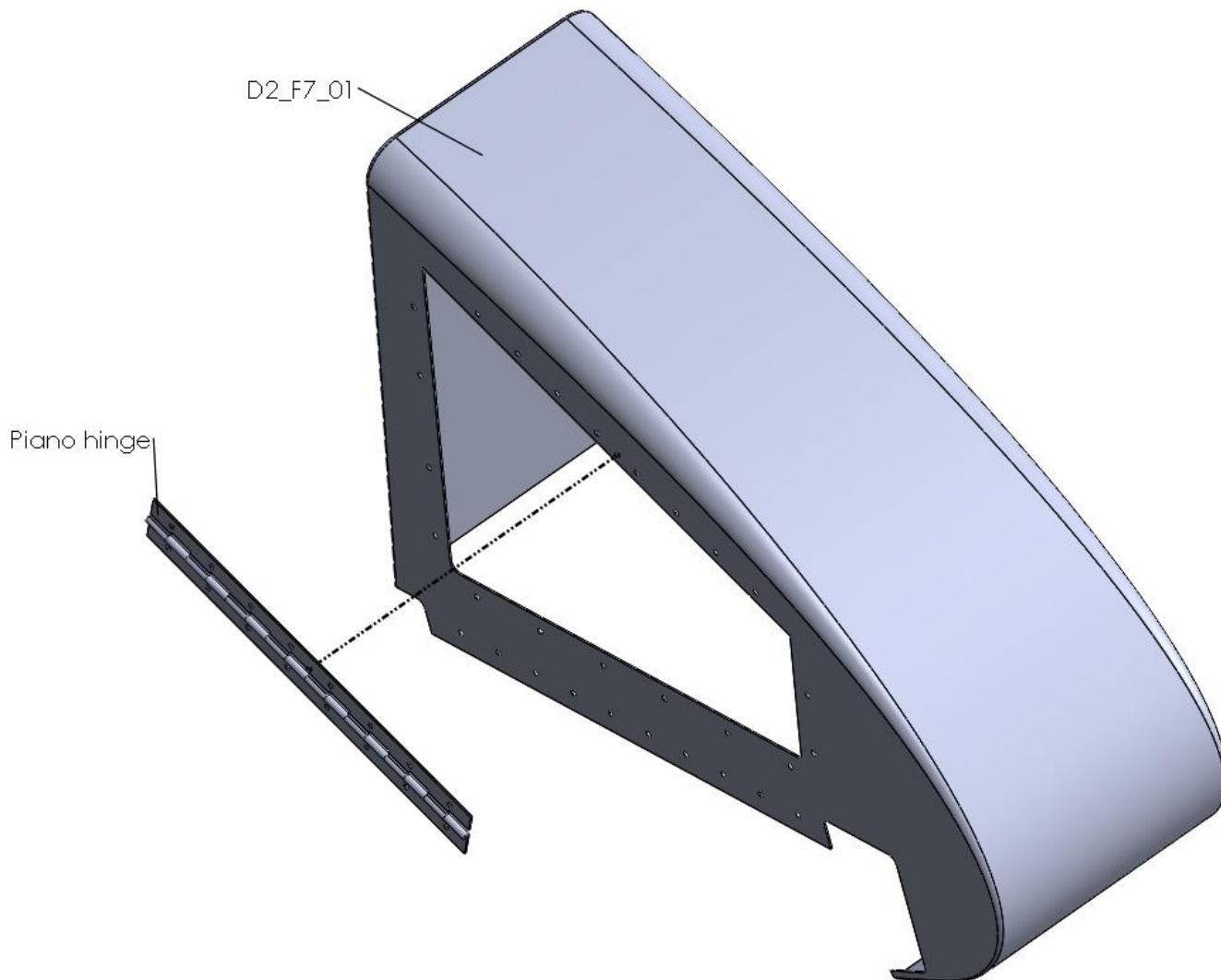
Step 20



Title	Document no.	Revision	Page	Pages
Fuselage assembly manual	D2_F0_00	Rev. 05	394	406



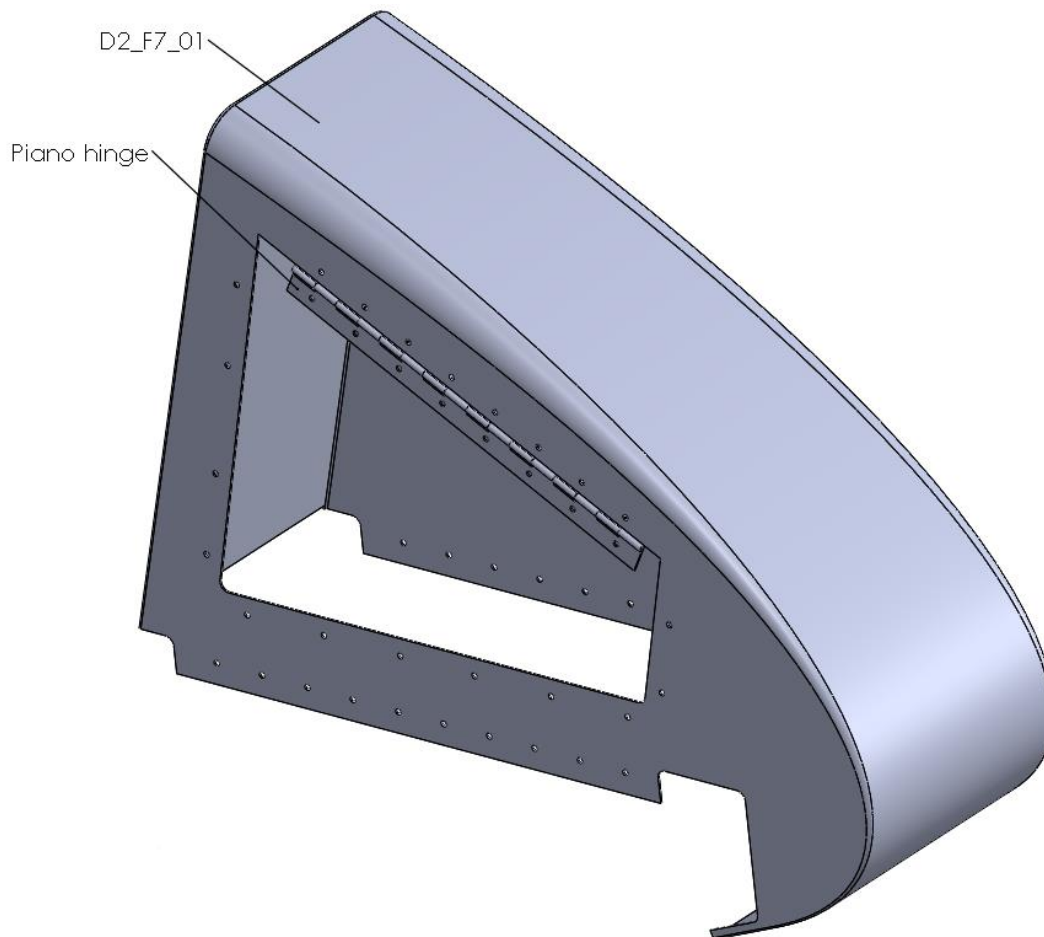
Step 21



Title	Document no.	Revision	Page	Pages
Fuselage assembly manual	D2_F0_00	Rev. 05	395	406



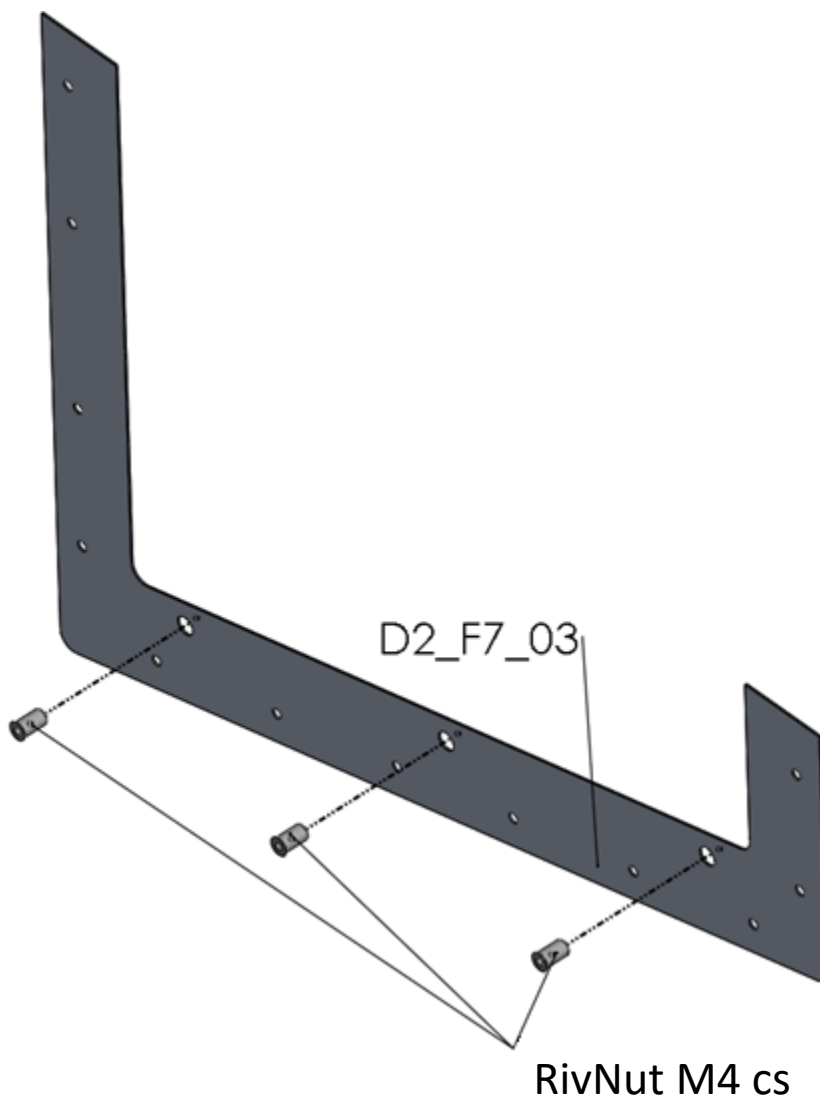
Step 22



Title	Document no.	Revision	Page	Pages
Fuselage assembly manual	D2_F0_00	Rev. 05	396	406



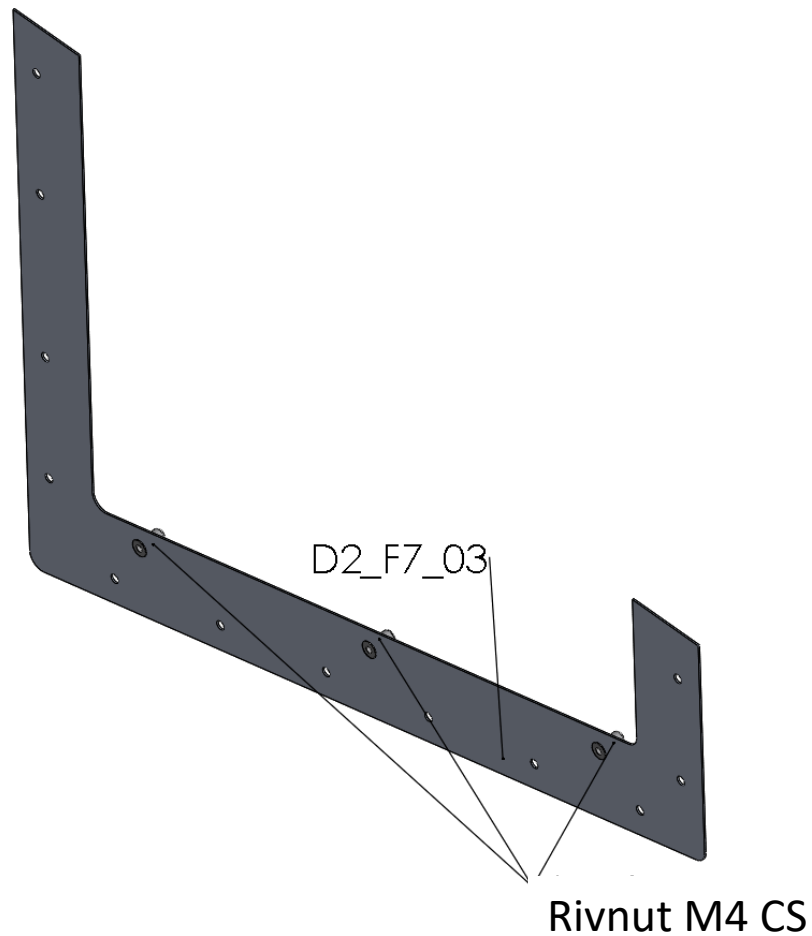
Step 23



Title	Document no.	Revision	Page	Pages
Fuselage assembly manual	D2_F0_00	Rev. 05	397	406



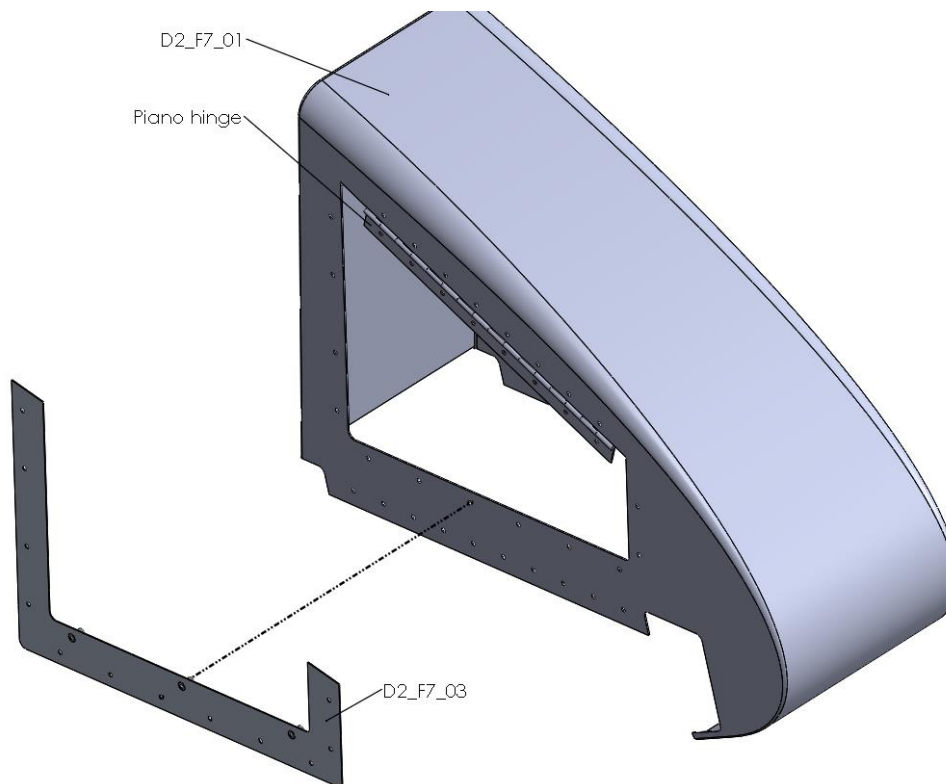
Step 24



Title	Document no.	Revision	Page	Pages
Fuselage assembly manual	D2_F0_00	Rev. 05	398	406



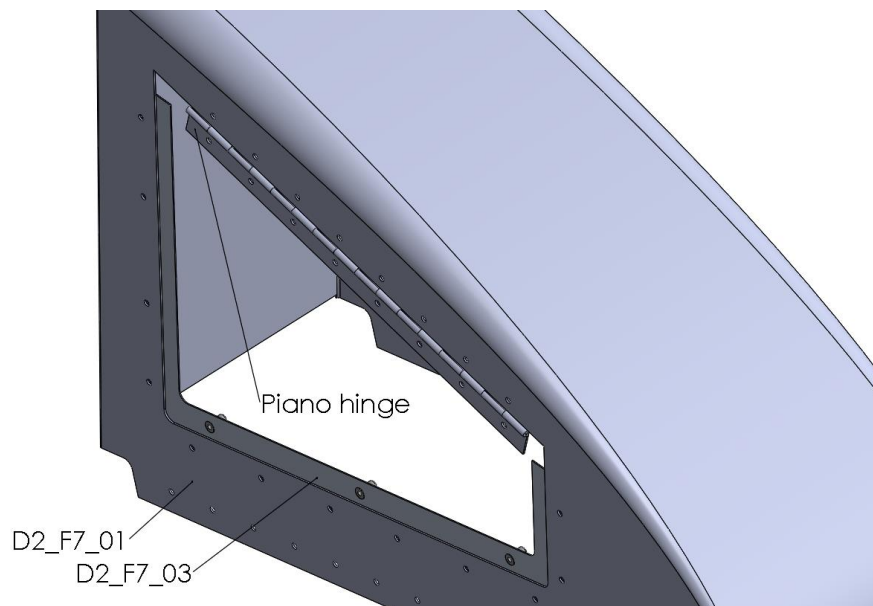
Step 25



Title	Document no.	Revision	Page	Pages
Fuselage assembly manual	D2_F0_00	Rev. 05	399	406



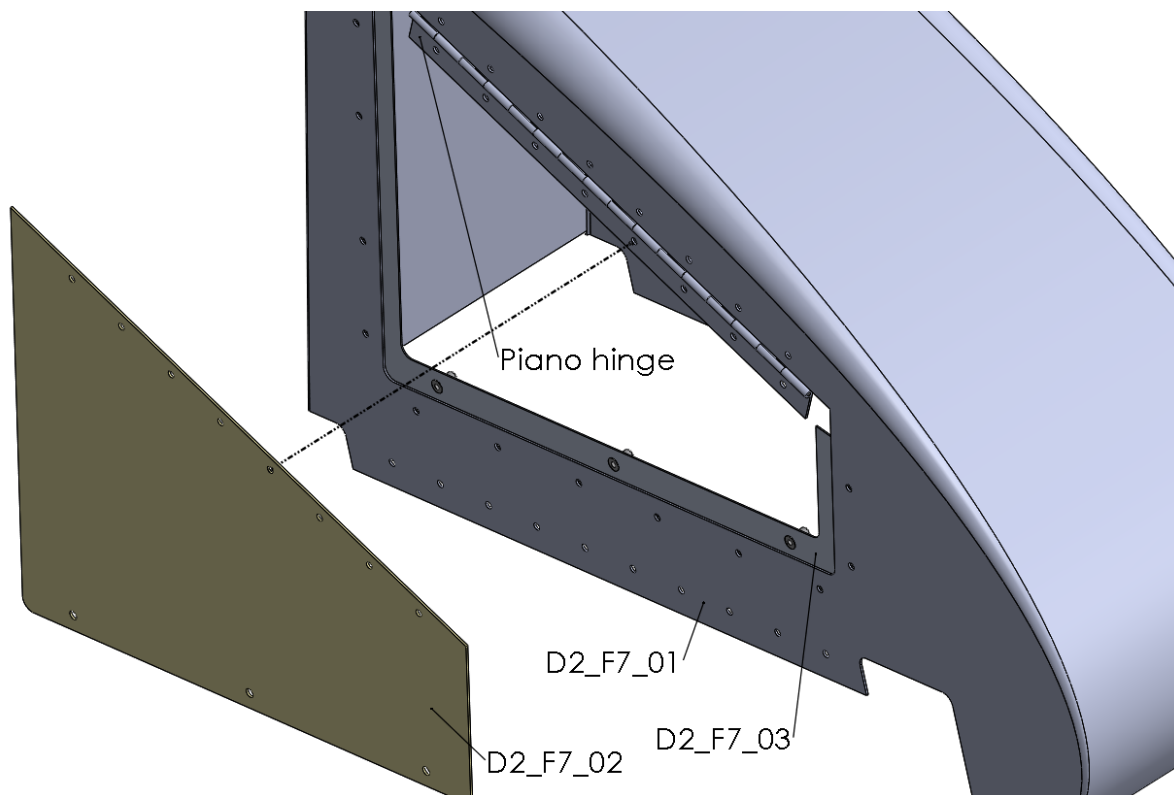
Step 26



Title	Document no.	Revision	Page	Pages
Fuselage assembly manual	D2_F0_00	Rev. 05	400	406



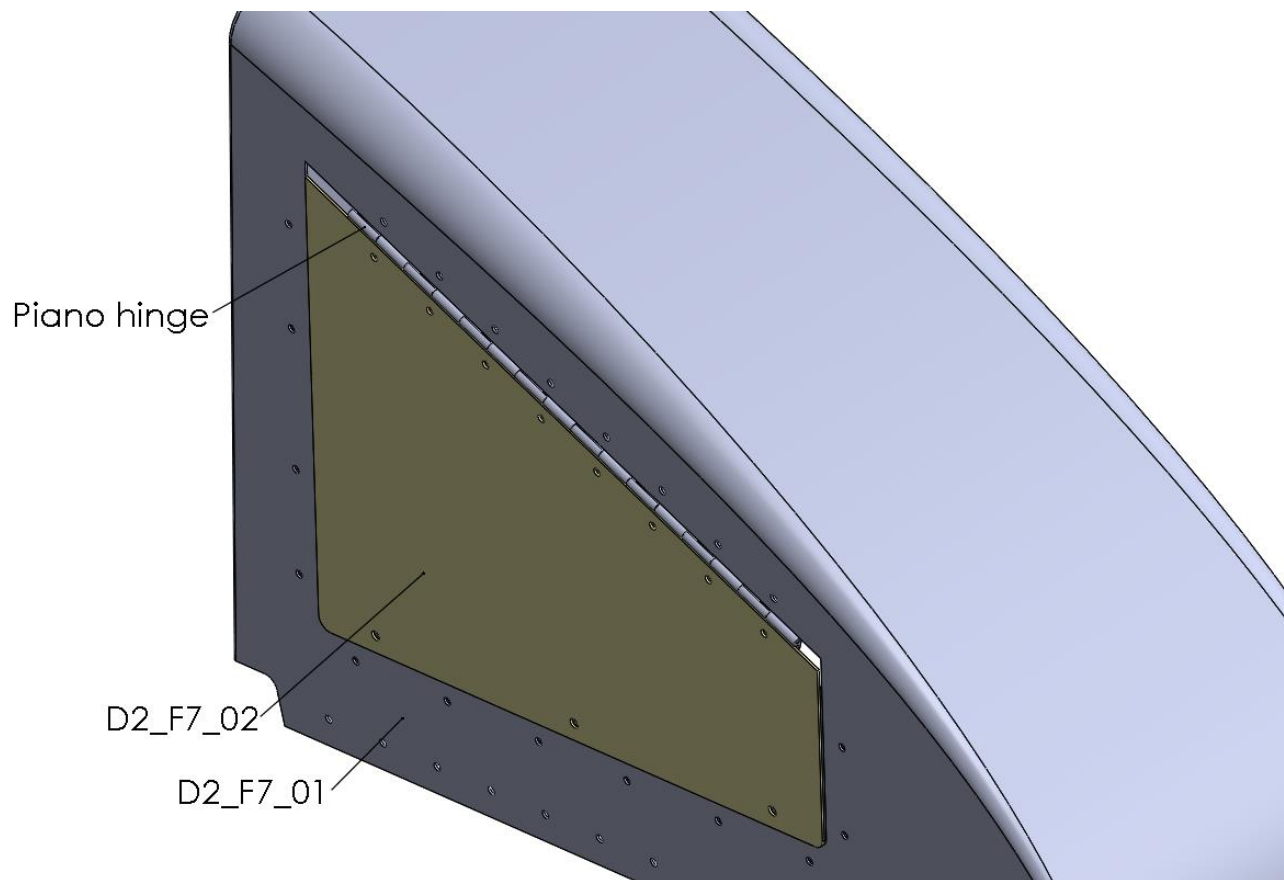
Step 27



Title	Document no.	Revision	Page	Pages
Fuselage assembly manual	D2_F0_00	Rev. 05	401	406



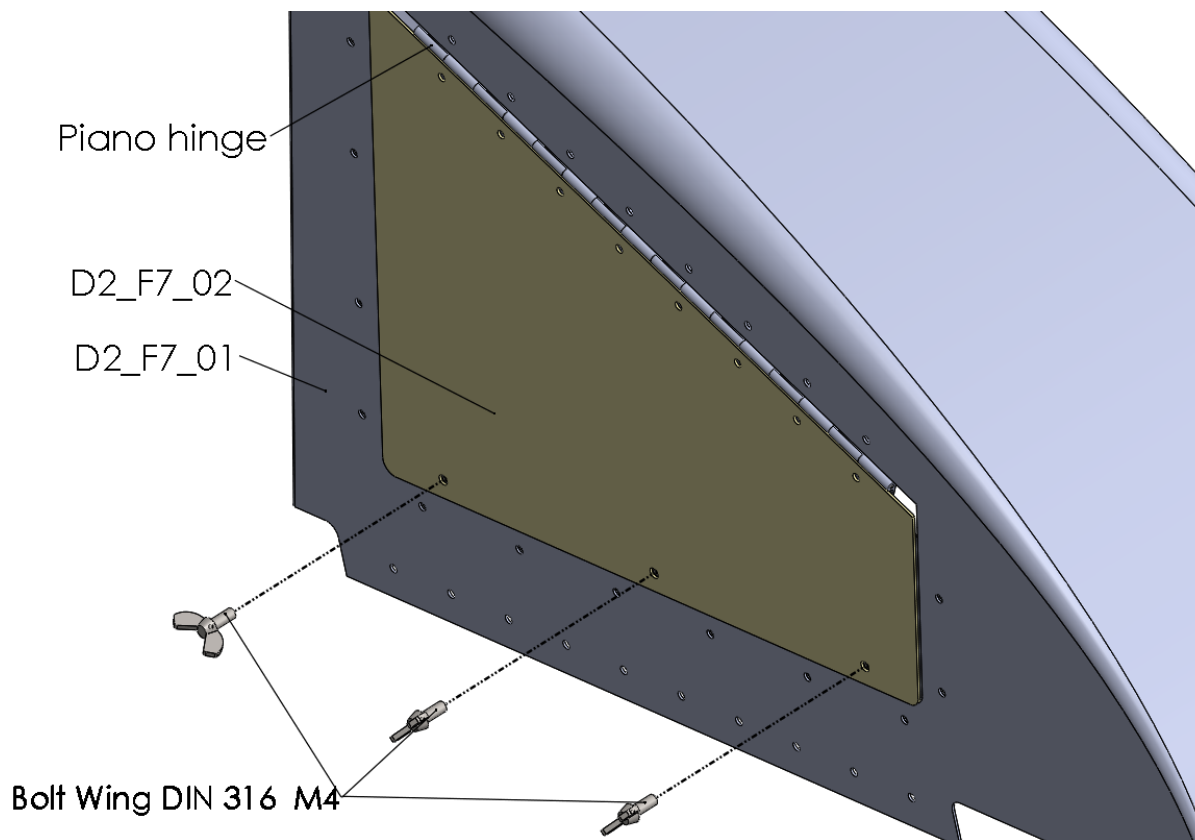
Step 28



Title	Document no.	Revision	Page	Pages
Fuselage assembly manual	D2_F0_00	Rev. 05	402	406



Step 29



Title	Document no.	Revision	Page	Pages
Fuselage assembly manual	D2_F0_00	Rev. 05	403	406



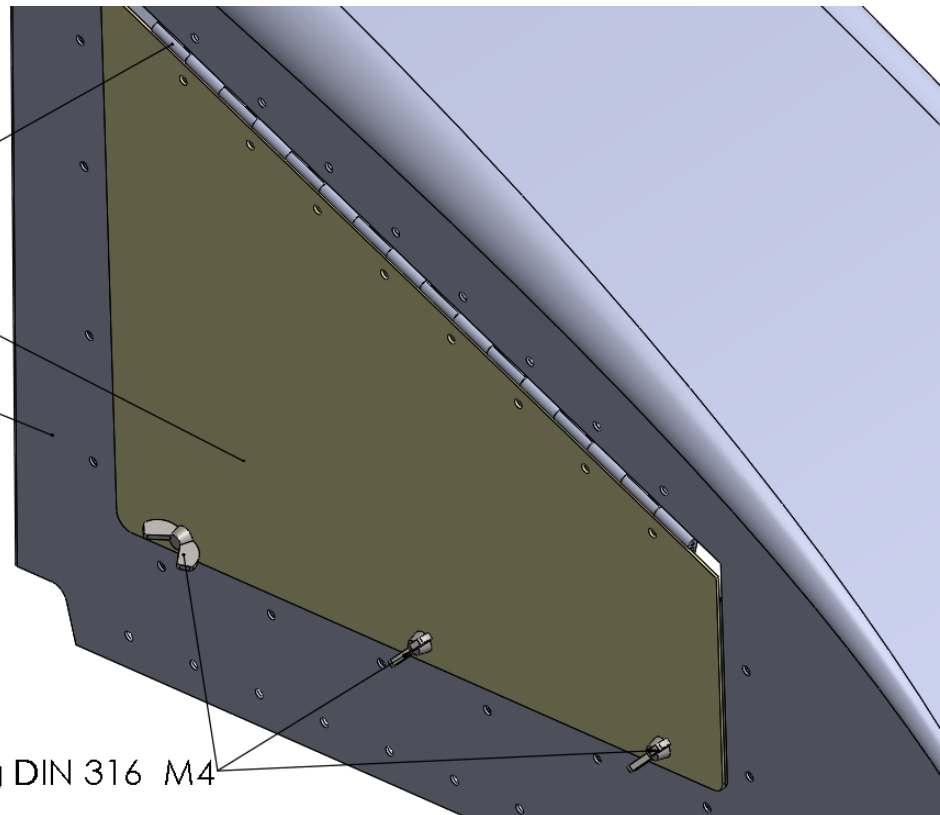
Step 30

Piano hinge

D2_F7_02

D2_F7_01

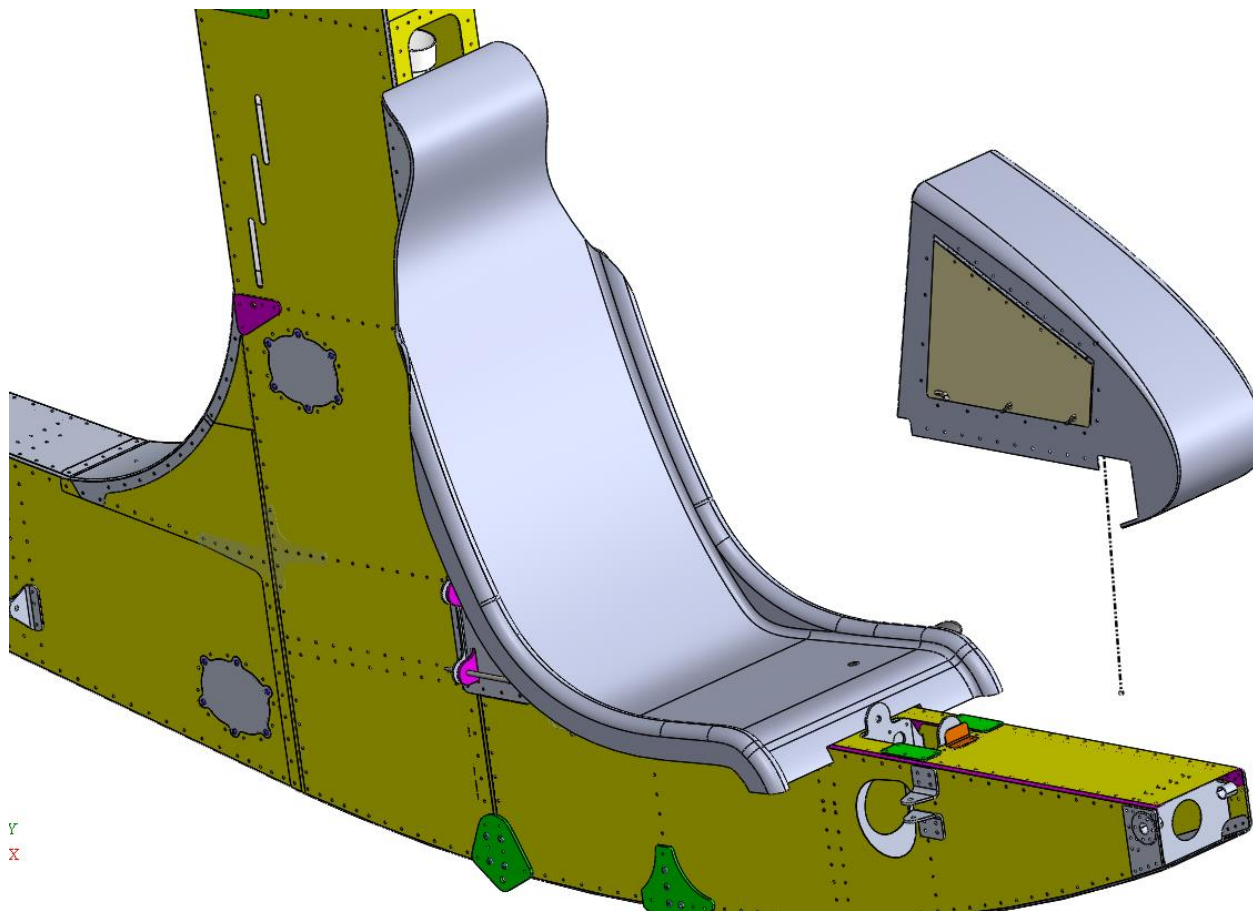
Bolt Wing DIN 316 M4



Title	Document no.	Revision	Page	Pages
Fuselage assembly manual	D2_F0_00	Rev. 05	404	406



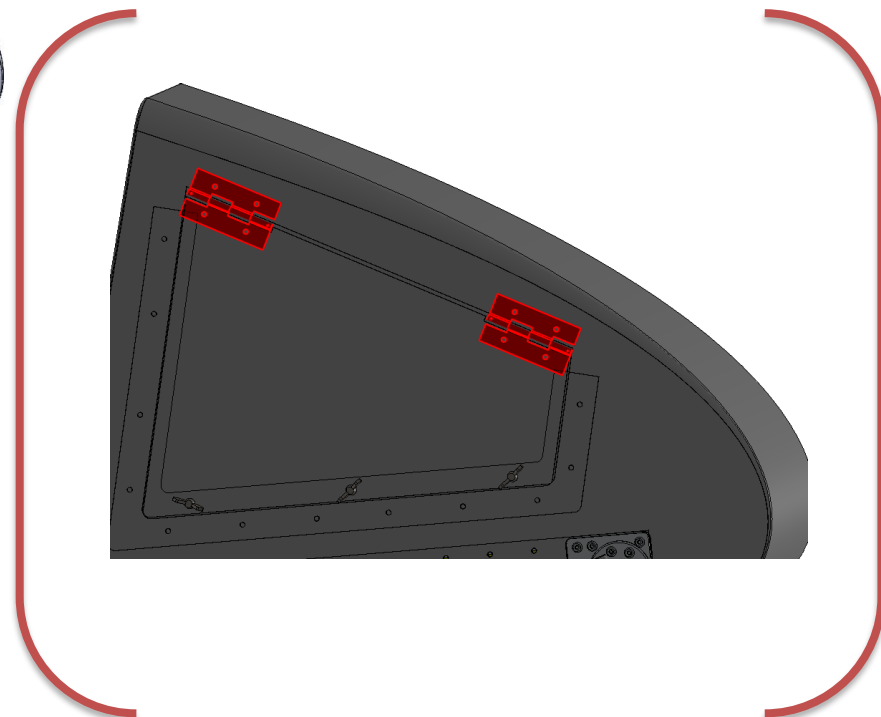
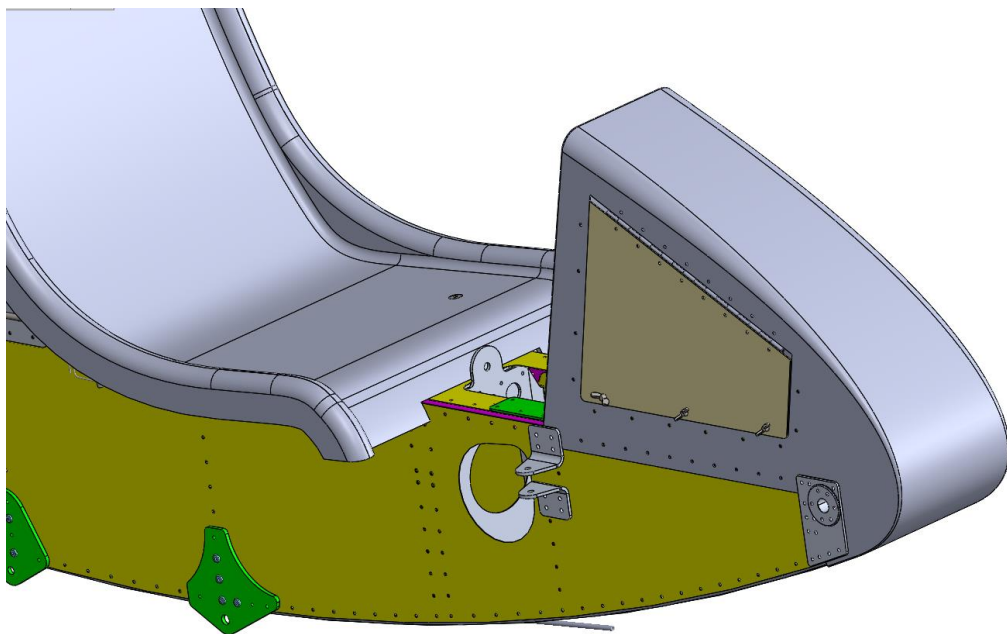
Step 31



Title	Document no.	Revision	Page	Pages
Fuselage assembly manual	D2_F0_00	Rev. 05	405	406



Step 32



Title	Document no.	Revision	Page	Pages
Fuselage assembly manual	D2_F0_00	Rev. 05	406	406