

Title:

Fuselage assembly manual

Document no.:

D2_F0_00

Revision:

R03

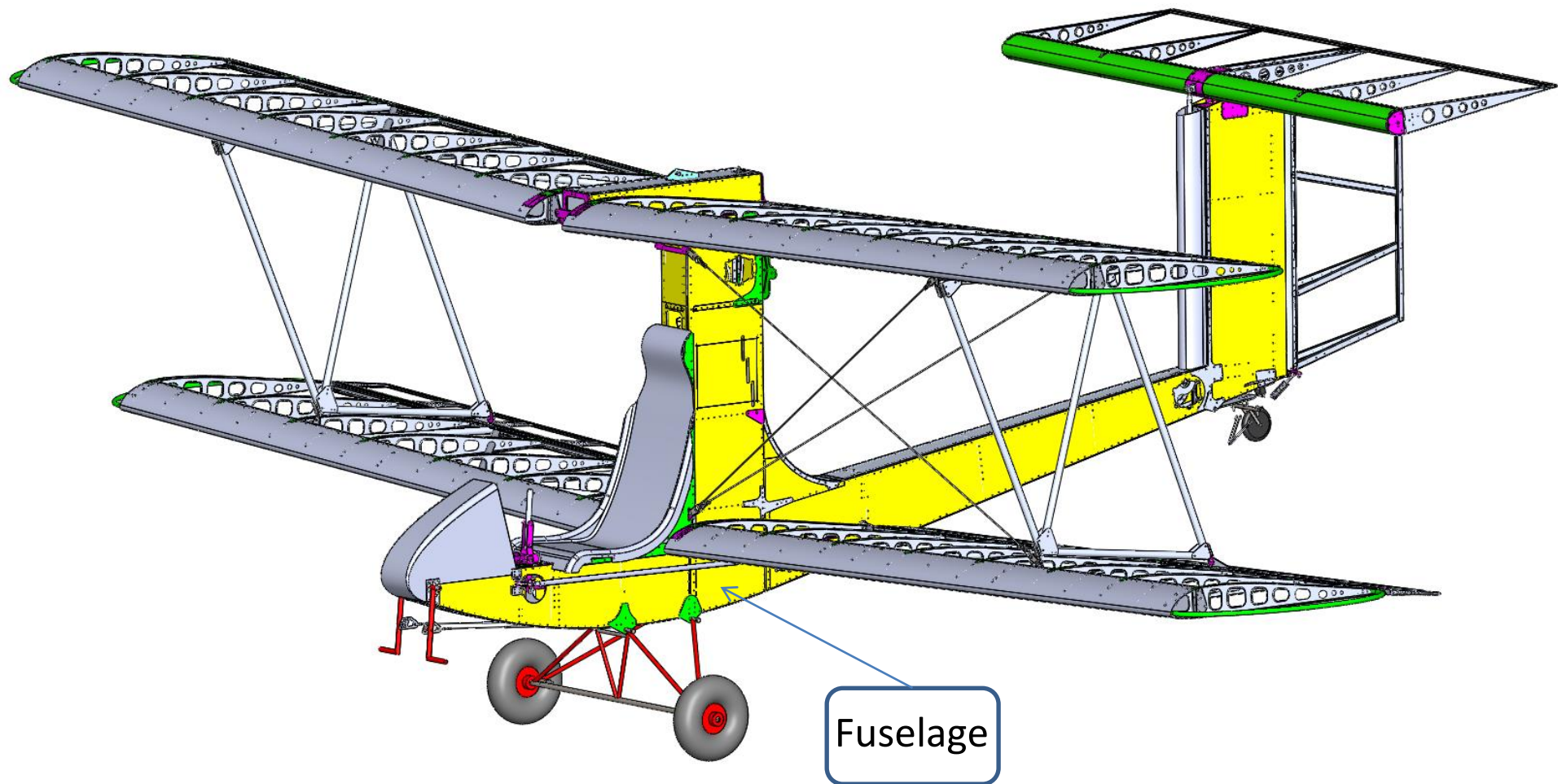
Title	Document no.	Revision	Page	Pages
Fuselage assembly manual	D2_F0_00	Rev. 03	1	414



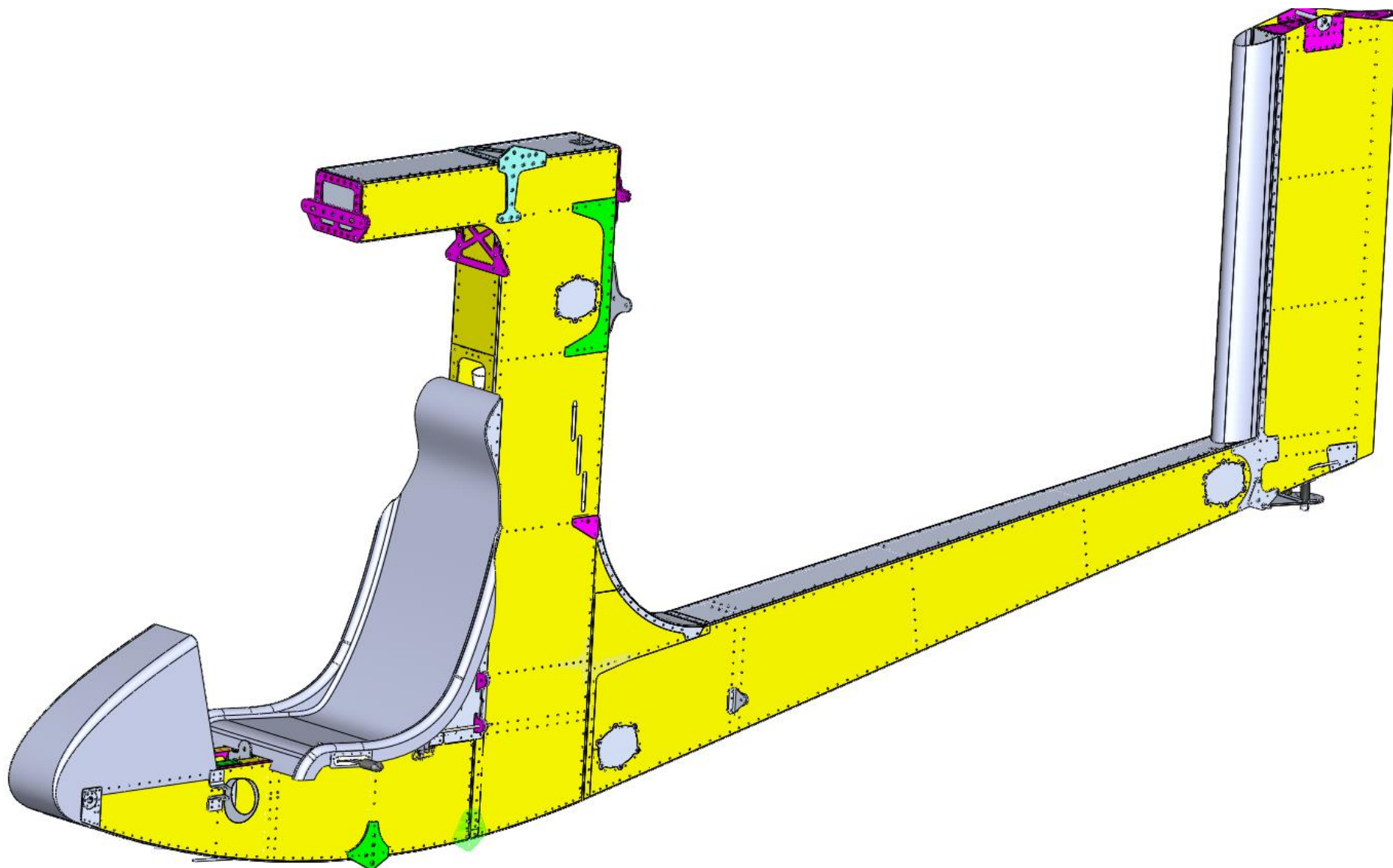
Table of revisions

Revision	Affected pages	Short description of change
00	All	Original issue
01	02, 19, 62, 64, 72, 76, 297, 299, 313, 315, 338	Table of revision, Emfimastic added to tail parts, rivets corrected on pages 76 and 315, PUR foam on page 338 added
02	319-325, 415	Riveting of tail wheel attachment corrected, option for baggage compartment assembly added.
03	5, 6, 20, 26, 63, 65, 73, 85, 178, 218, 263, 314, 340, 349, 350, 358, 359	Riveting of D2_F4_12L was moved to PART 11, together with part D2_F1_22N. Pages 349, 350 deleted. Pages 358, 359 changed. „Do not rivet“ signs were added (only there, where it is riveted in other chapter (PART)), general instructions were updated – page 6 added.

Title	Document no.	Revision	Page	Pages
Fuselage assembly manual	D2_F0_00	Rev. 03	2	414



Title	Document no.	Revision	Page	Pages
Fuselage assembly manual	D2_F0_00	Rev. 03	3	414




Title	Document no.	Revision	Page	Pages
Fuselage assembly manual	D2_F0_00	Rev. 03	4	414



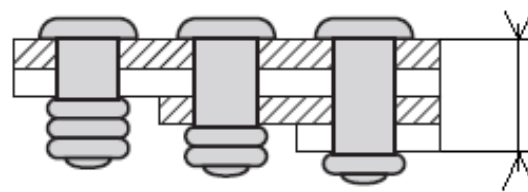
Fuselage

General instructions:



- Mark all bolt connections:
- If there is no specific rivet shown or called in the assembly, use rivet AVEX 3,2x7,9 Al/St
- Holes for rivets to be placed later (in different parts of assembly) are marked: 
- Use clecos for the preassembly, as shown in the video tutorial
- Use Polyurethane adhesive PU 50 Emfimastic, where shown in the manual
- It is the responsibility of each assembler, to check that the thickness of riveted parts matches the length of the rivet – follow

“Permissible joint length of the rivets“:



Joint length

Blind rivet type:	Manufacturer part number:	Can be also marked as:		Min. length:	Max. length:	Qty. / fuselage
AVEX Φ 3,2x7,9 Al/St	16910410	Al 3,2x7,9	AVEX Φ 3,2x7,9 Al/Fe	0,8mm	4,8mm	2495
AVEX Φ 3,2x11,2 Al/St	16910414	Al 3,2x11,2	AVEX Φ 3,2x11,2 Al/Fe	4,0mm	7,9mm	36
AVEX Φ 4x9,5 Al/St	16910512	Al 4x9,5	AVEX Φ 4x9,5 Al/Fe	1,0mm	6,0mm	80
AVEX Φ 4x12,7 Al/St	16910516	Al 4x12,7	AVEX Φ 4x12,7 Al/Fe	4,0mm	9,6mm	87
AVINOX Φ 4x12 EST/EST PH	14514012	INOX 4x12	AVINOX Φ 4x12 EST/EST PH	3,5mm	7,0mm	99
AVINOX Φ 4x10 EST/EST PH	14514010	INOX 4x10	AVINOX Φ 4x10 EST/EST PH	1,5mm	5mm	4

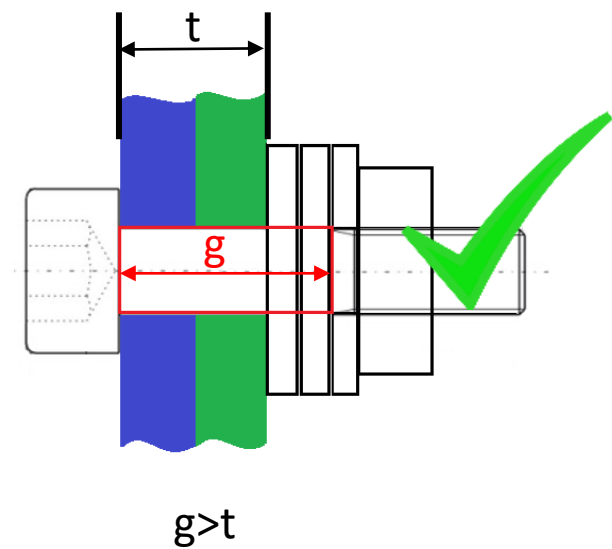
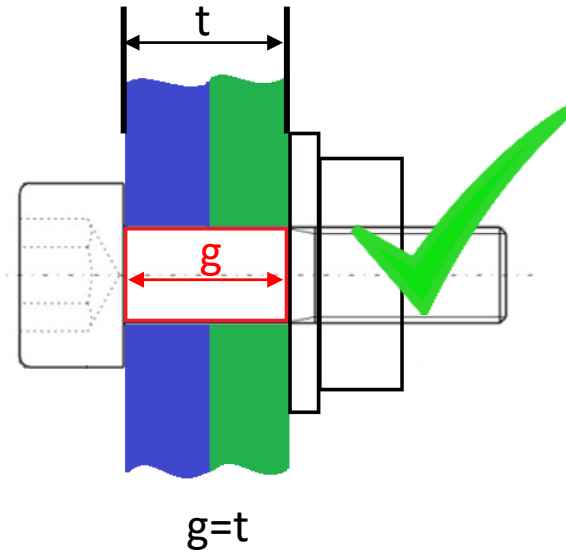
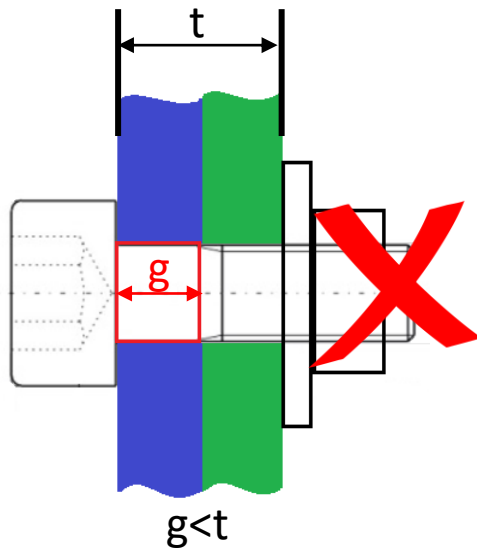
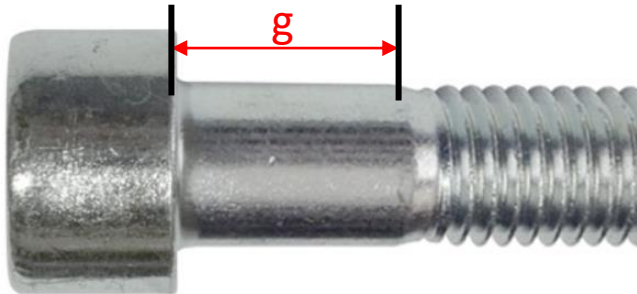
Title	Document no.	Revision	Page	Pages
Fuselage assembly manual	D2_F0_00	Rev. 03	5	414



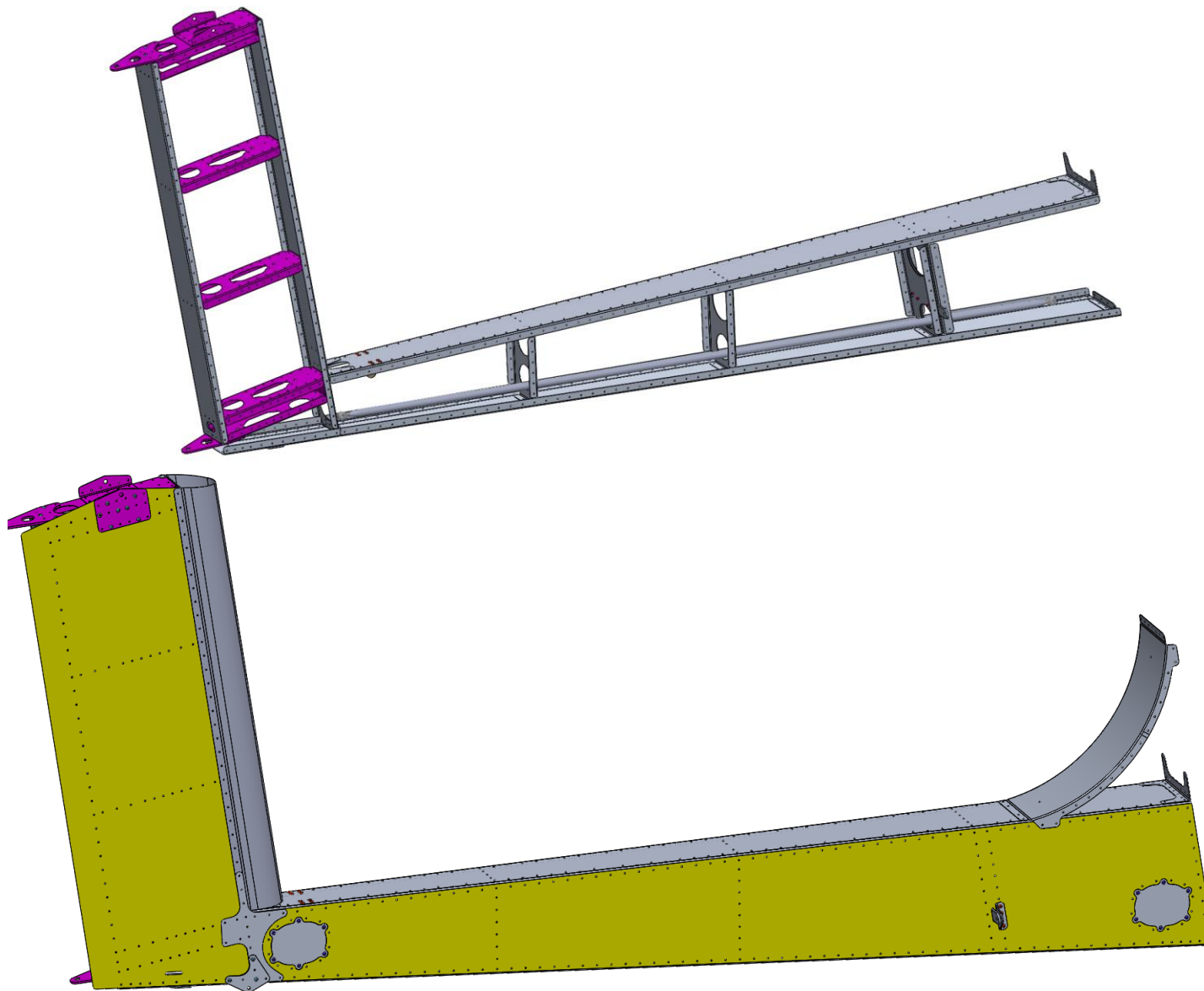
Fuselage

General instructions:

- It is the responsibility of each assembler, to check the grip length of the bolt and ensure, that the grip length (g) matches, or exceeds the thickness (t) of connected parts.



Title	Document no.	Revision	Page	Pages
Fuselage assembly manual	D2_F0_00	Rev. 03	6	414

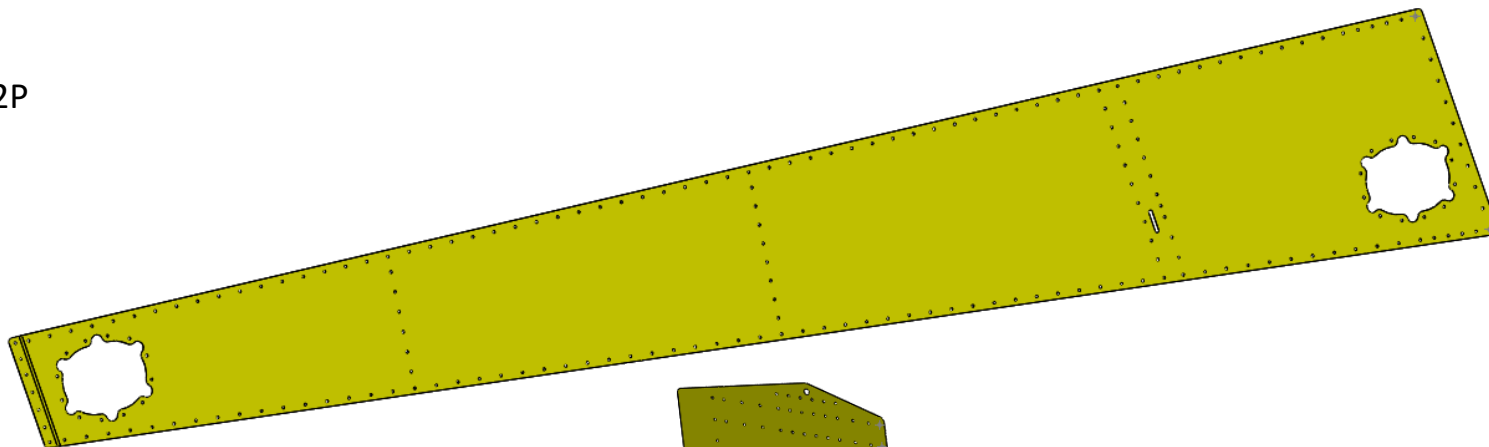


Title	Document no.	Revision	Page	Pages
Fuselage assembly manual	D2_F0_00	Rev. 03	7	414



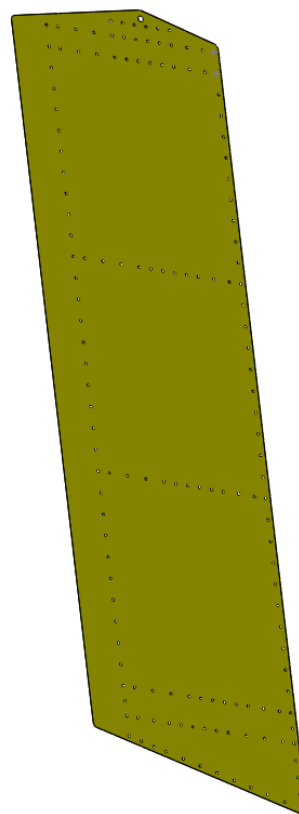
Detail: D2_F1_02P

Quantity: 1



Detail: D2_F1_05N

Quantity: 1



Title	Document no.	Revision	Page	Pages
Fuselage assembly manual	D2_F0_00	Rev. 03	8	414

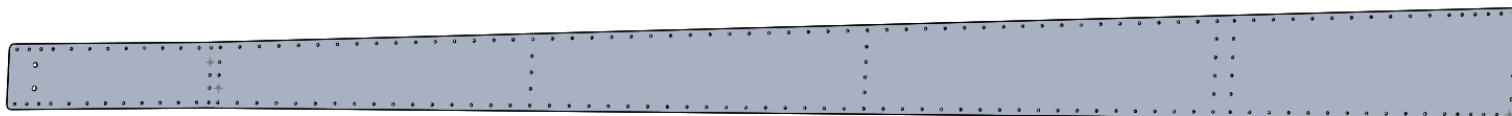


Detail: D2_F1_06N

Quantity: 1

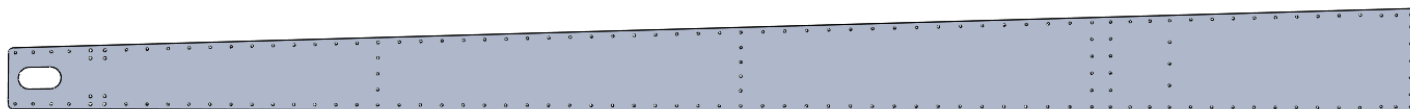
Detail: D2_F1_08N

Quantity: 1



Detail: D2_F1_09N

Quantity: 1

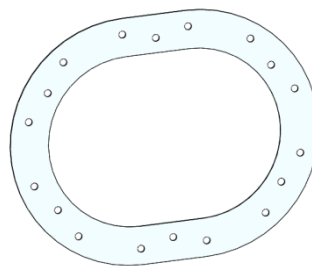


Title	Document no.	Revision	Page	Pages
Fuselage assembly manual	D2_F0_00	Rev. 03	9	414



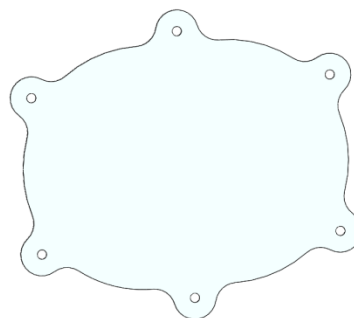
Detail: D2_F1_14N

Quantity: 2



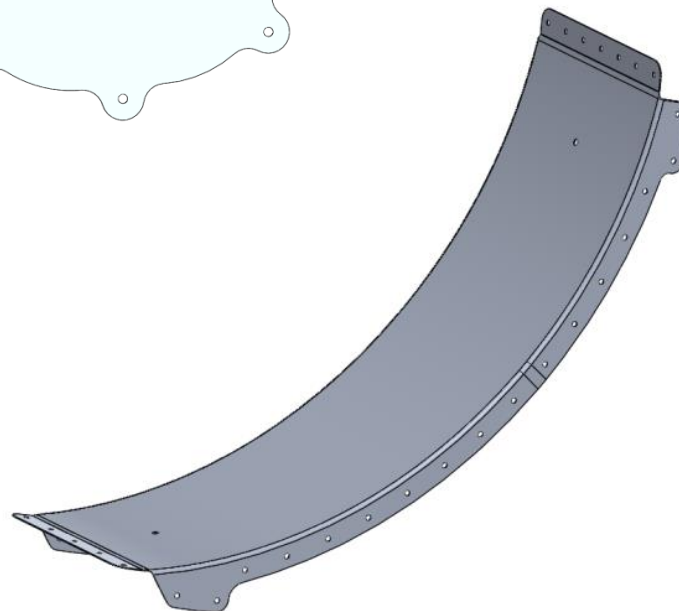
Detail: D2_F1_15N

Quantity: 2



Detail: D2_F1_18N

Quantity: 1

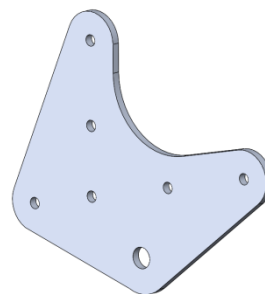


Title	Document no.	Revision	Page	Pages
Fuselage assembly manual	D2_F0_00	Rev. 03	10	414



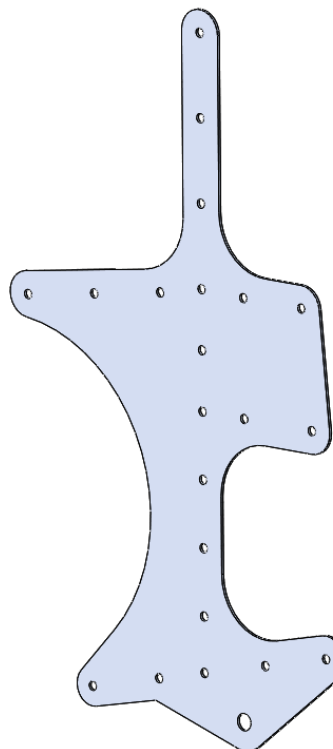
Detail: D2_F1_26N

Quantity: 1



Detail: D2_F1_27N

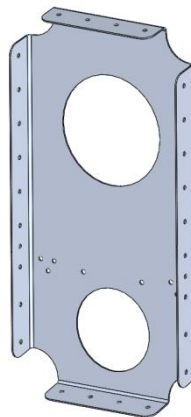
Quantity: 1



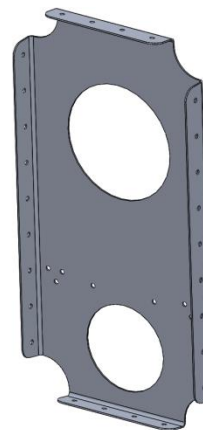
Title	Document no.	Revision	Page	Pages
Fuselage assembly manual	D2_F0_00	Rev. 03	11	414



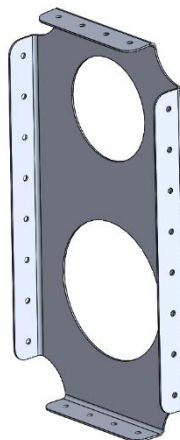
Detail: D2_F2_07N
Quantity: 1



Detail: D2_F2_08N
Quantity: 1



Detail: D2_F2_09N
Quantity: 1

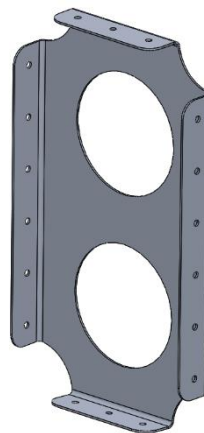


Title	Document no.	Revision	Page	Pages
Fuselage assembly manual	D2_F0_00	Rev. 03	12	414



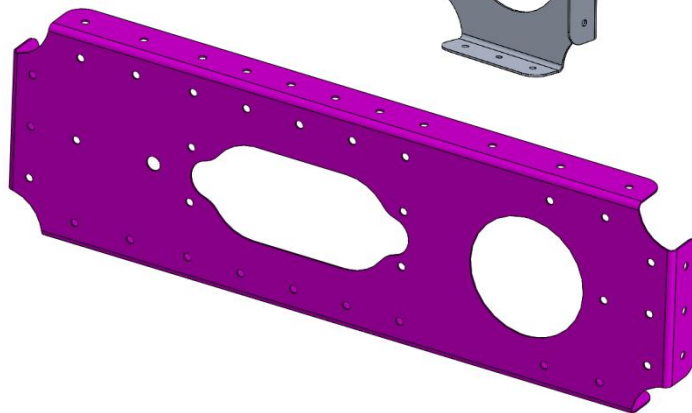
Detail: D2_F2_10N

Quantity: 1



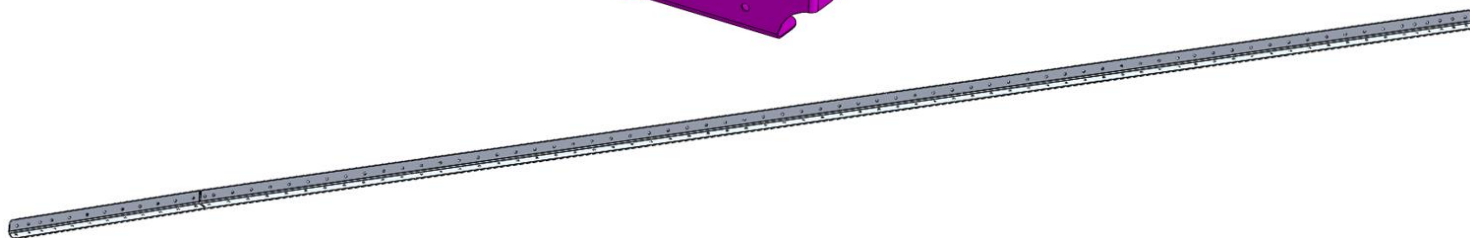
Detail:D2_F2_11N

Quantity: 6



Detail: D2_F3_03P

Quantity: 1



Detail: D2_F3_03L

Quantity: 1

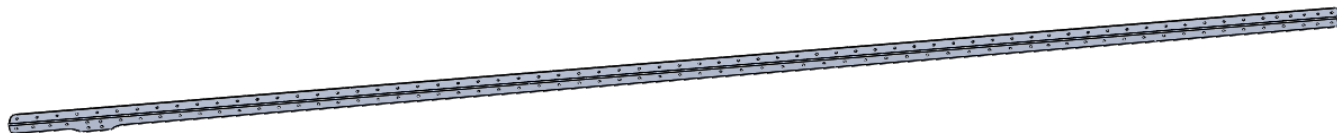


Title	Document no.	Revision	Page	Pages
Fuselage assembly manual	D2_F0_00	Rev. 03	13	414



Detail: D2_F3_04P

Quantity: 1



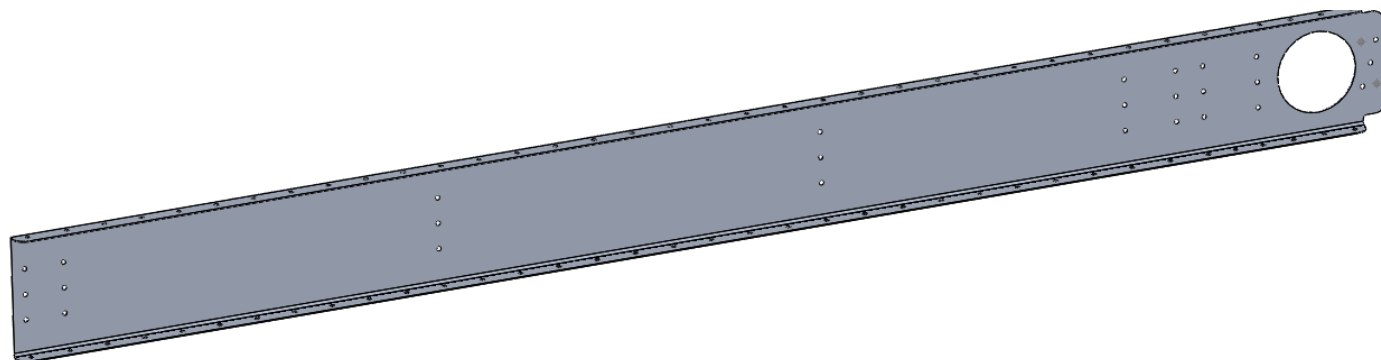
Detail:D2_F3_04L

Quantity: 1



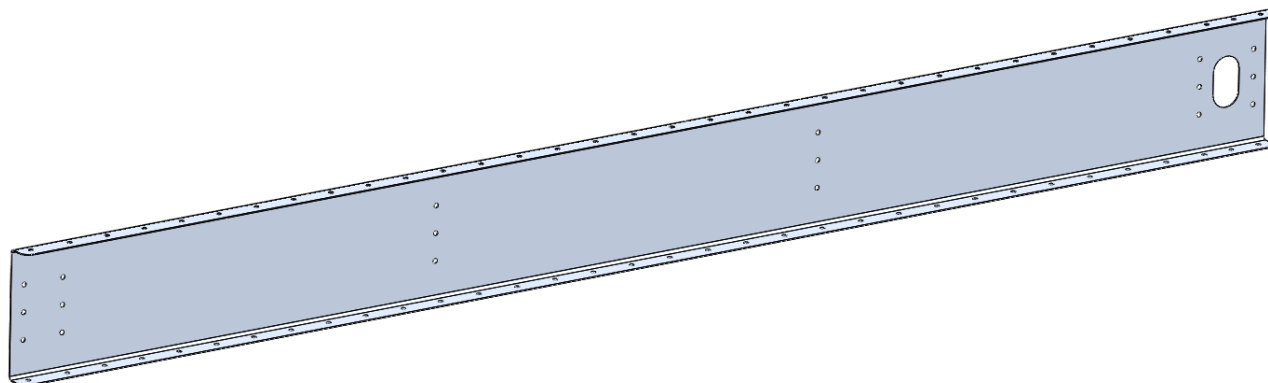
Detail: D2_F3_07N

Quantity: 1



Detail:D2_F3_08N

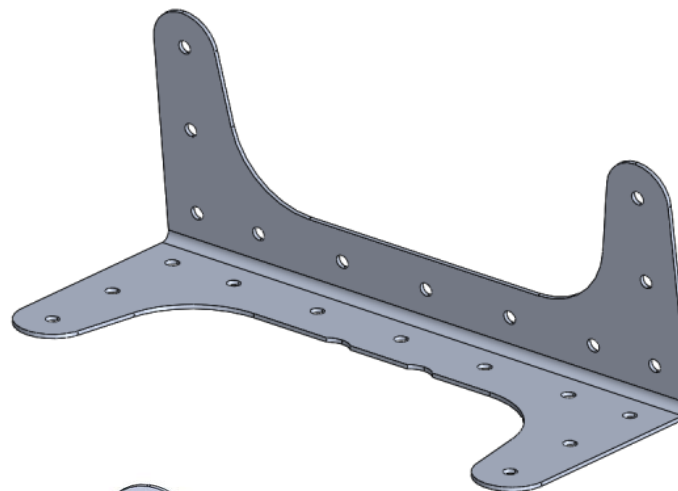
Quantity: 2



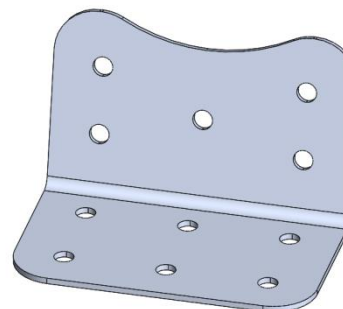
Title	Document no.	Revision	Page	Pages
Fuselage assembly manual	D2_F0_00	Rev. 03	14	414



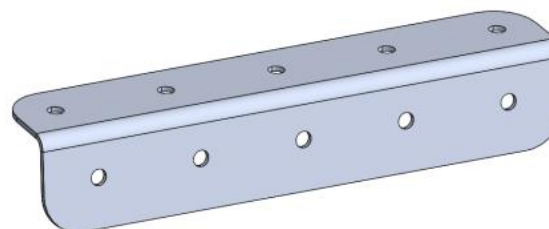
Detail: D2_F3_14N
Quantity: 1



Detail: D2_F3_15N
Quantity: 1



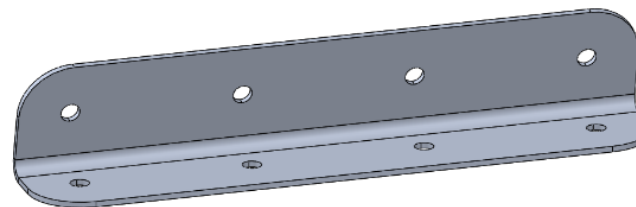
Detail: D2_F3_21N
Quantity: 1



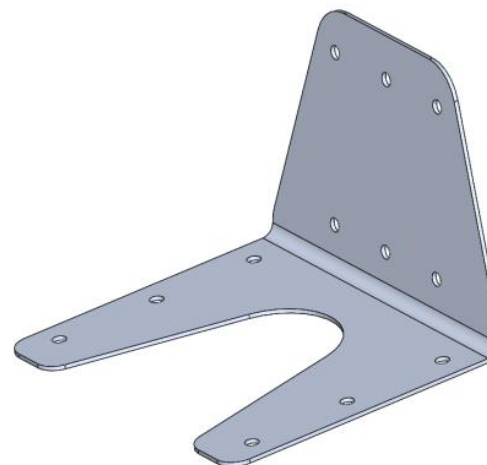
Title	Document no.	Revision	Page	Pages
Fuselage assembly manual	D2_F0_00	Rev. 03	15	414



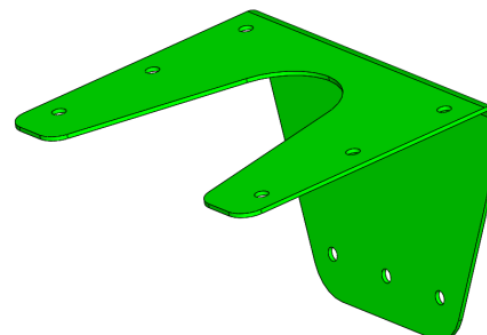
Detail: D2_F3_23N
Quantity: 1



Detail: D2_F3_24N
Quantity: 1



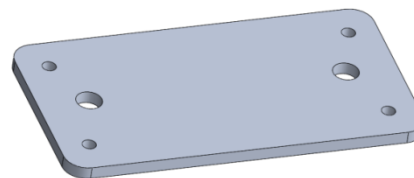
Detail: D2_F3_27N
Quantity: 1



Title	Document no.	Revision	Page	Pages
Fuselage assembly manual	D2_F0_00	Rev. 03	16	414



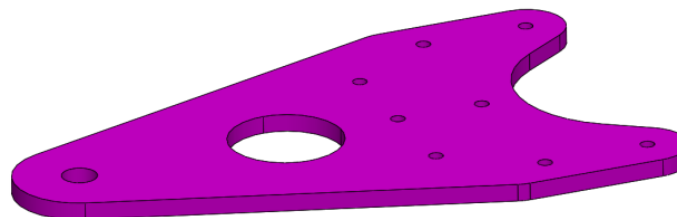
Detail: D2_F1_24N
Quantity: 1



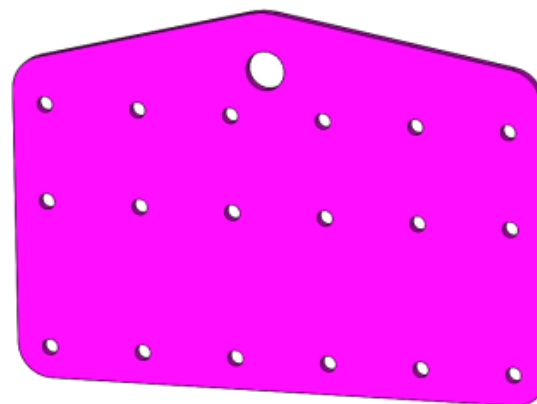
Detail: D2_F4_06N
Quantity: 2



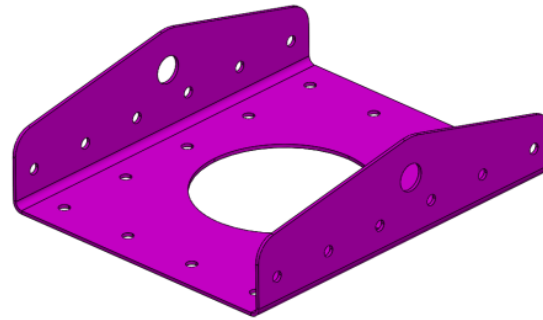
Detail: D2_F4_07N
Quantity: 2



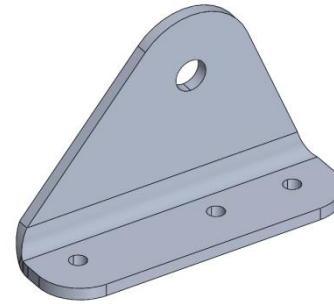
Detail: D2_F4_08N
Quantity: 1



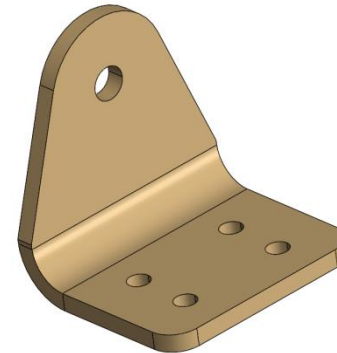
Title	Document no.	Revision	Page	Pages
Fuselage assembly manual	D2_F0_00	Rev. 03	17	414



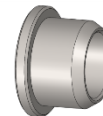
Detail: D2_F4_09N
Quantity: 1



Detail: D2_F4_20P
Quantity: 1



Detail: D2_F4_24N
Quantity: 2



Detail: D2_SP_01 Bushing 8x1
Quantity: 2

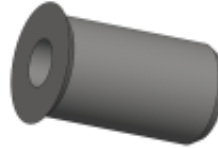
Title	Document no.	Revision	Page	Pages
Fuselage assembly manual	D2_F0_00	Rev. 03	18	414



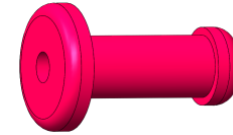
Detail: BOLT DIN 967 M3x6
Quantity: 12



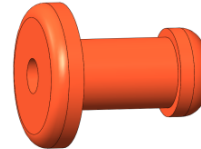
Detail: Riv Nut M3 cs
Quantity: 12



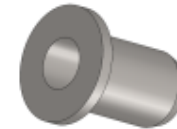
Detail: Rivet Al 4 x 12.7
Quantity: 4



Detail: Rivet Al 4 x 9.5
Quantity: 11



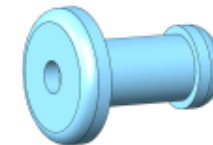
Detail: RivNut M4 A2-304
Quantity: 1



Detail: Rivet INOX 4 x10
Quantity: 2



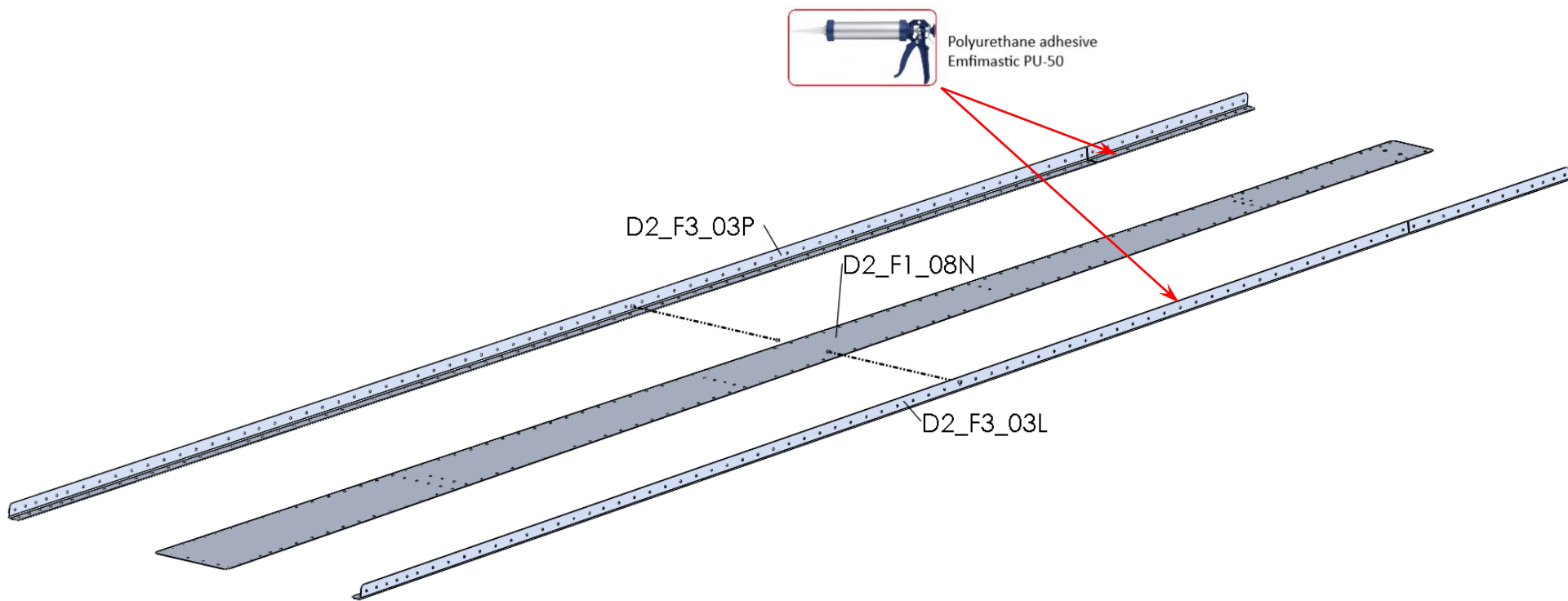
Detail: Rivet INOX 4 x12
Quantity: 19



Title	Document no.	Revision	Page	Pages
Fuselage assembly manual	D2_F0_00	Rev. 03	19	414



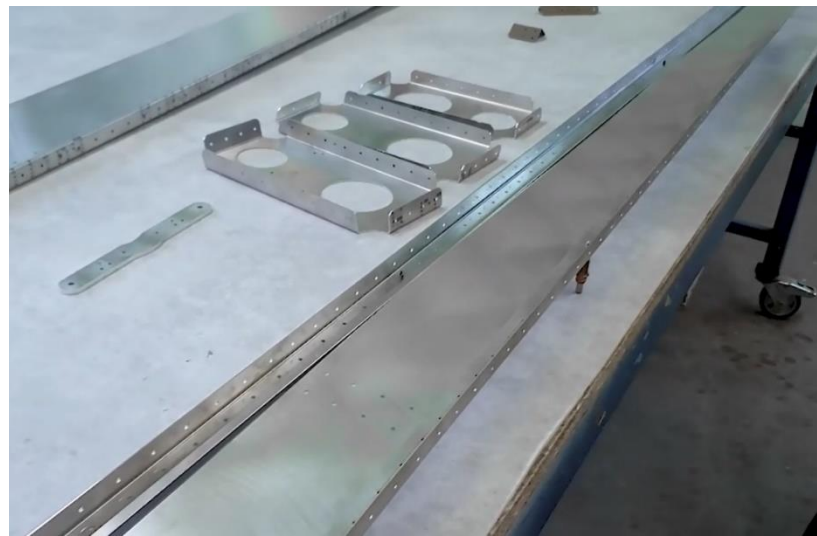
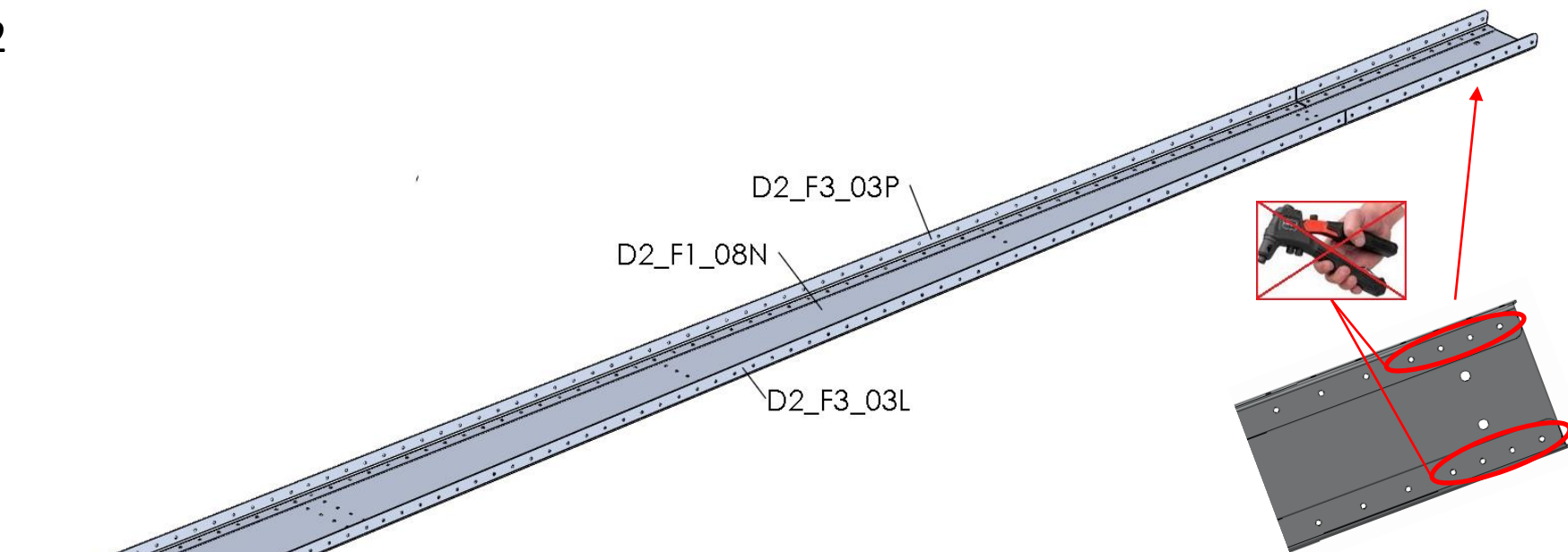
Step 1



Title	Document no.	Revision	Page	Pages
Fuselage assembly manual	D2_F0_00	Rev. 03	20	414



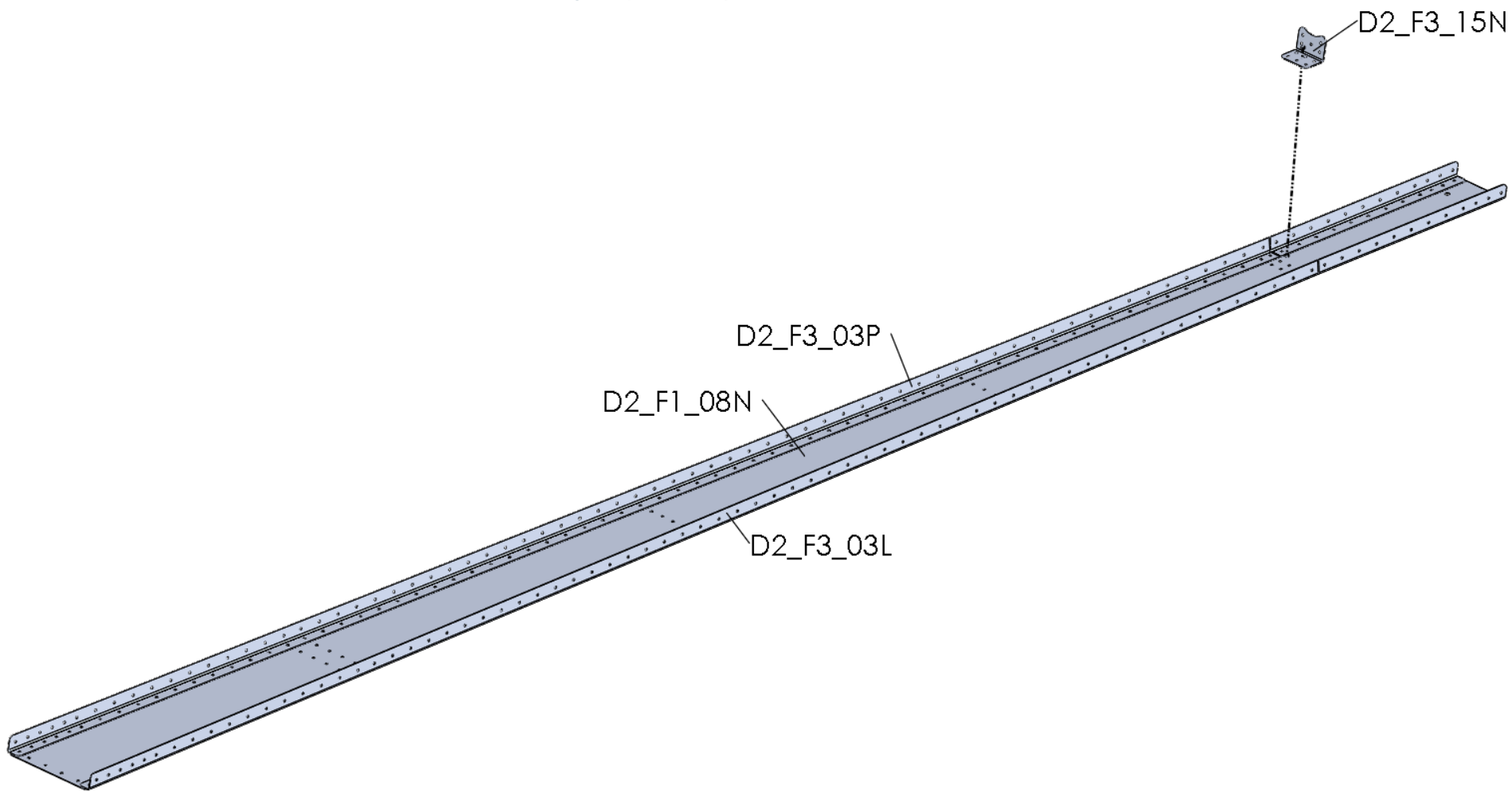
Step 2



Title	Document no.	Revision	Page	Pages
Fuselage assembly manual	D2_F0_00	Rev. 03	21	414



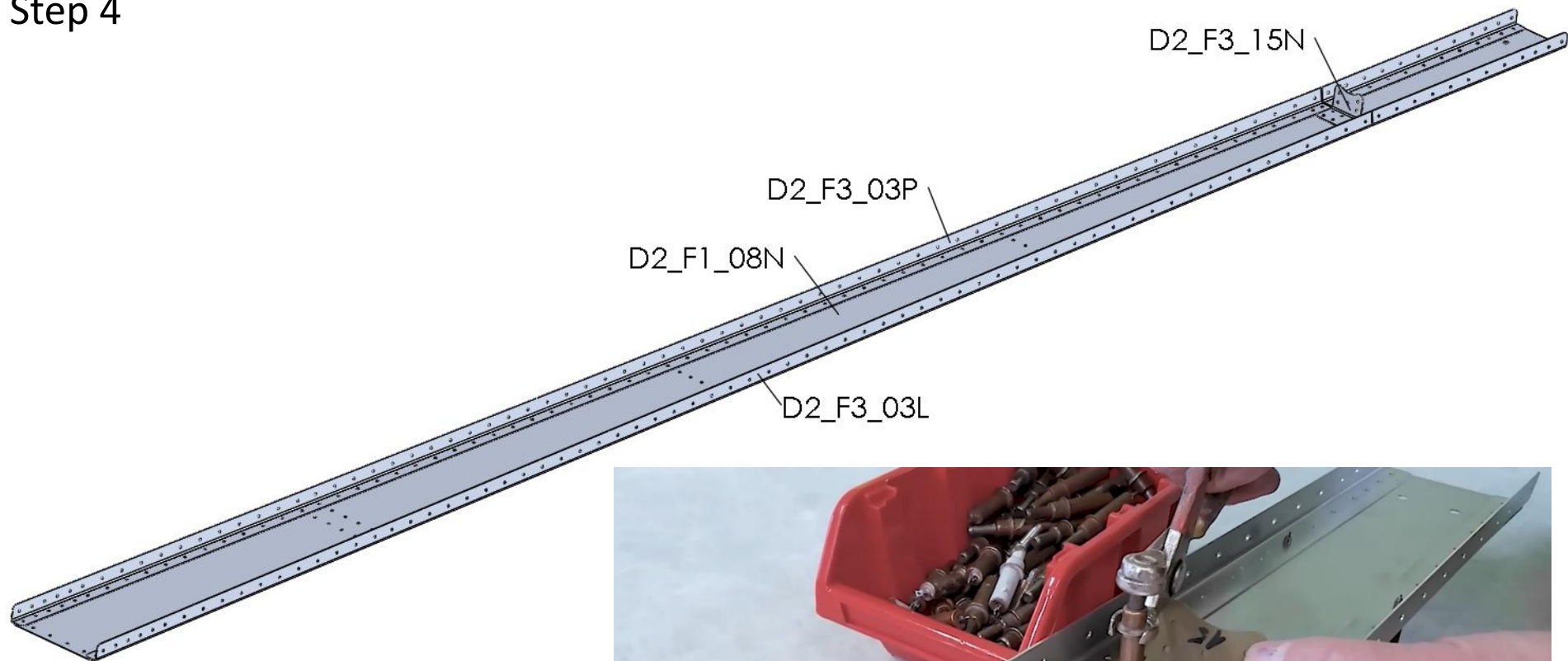
Step 3



Title	Document no.	Revision	Page	Pages
Fuselage assembly manual	D2_F0_00	Rev. 03	22	414



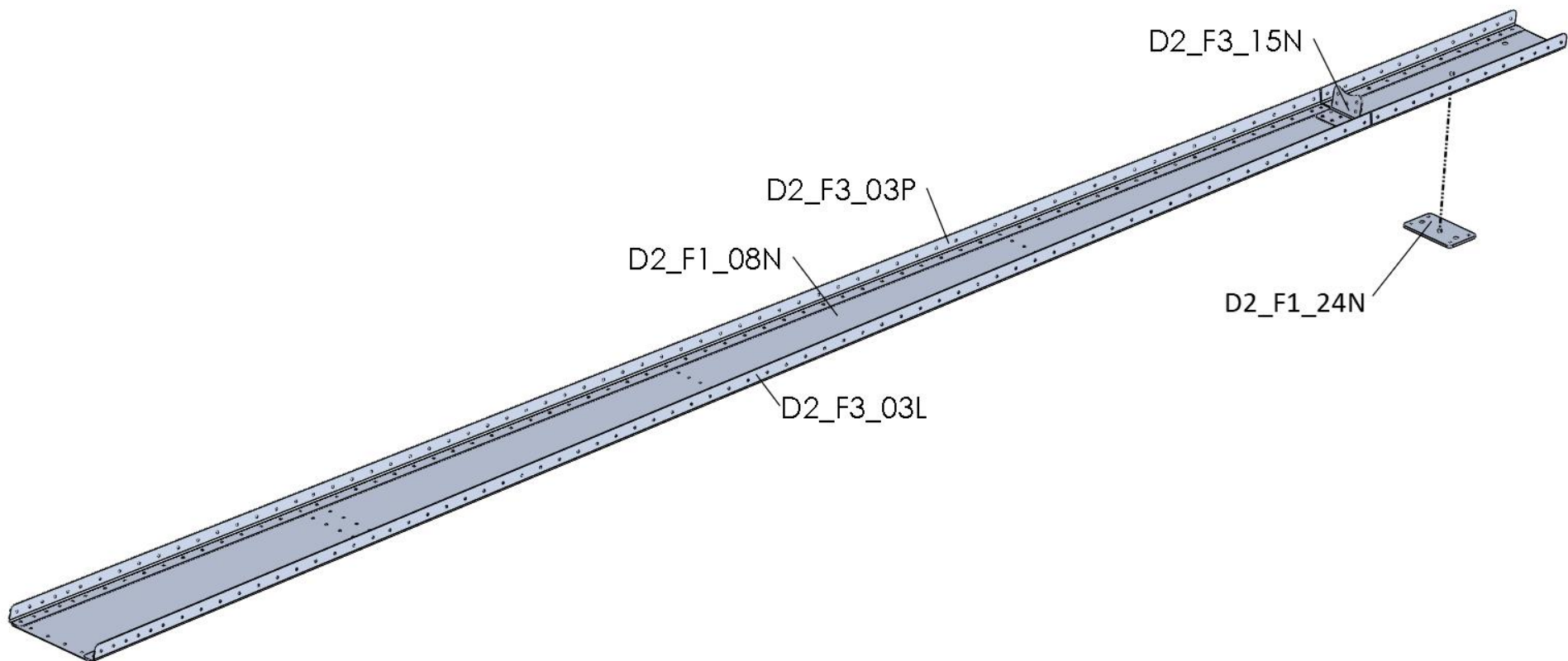
Step 4



Title	Document no.	Revision	Page	Pages
Fuselage assembly manual	D2_F0_00	Rev. 03	23	414



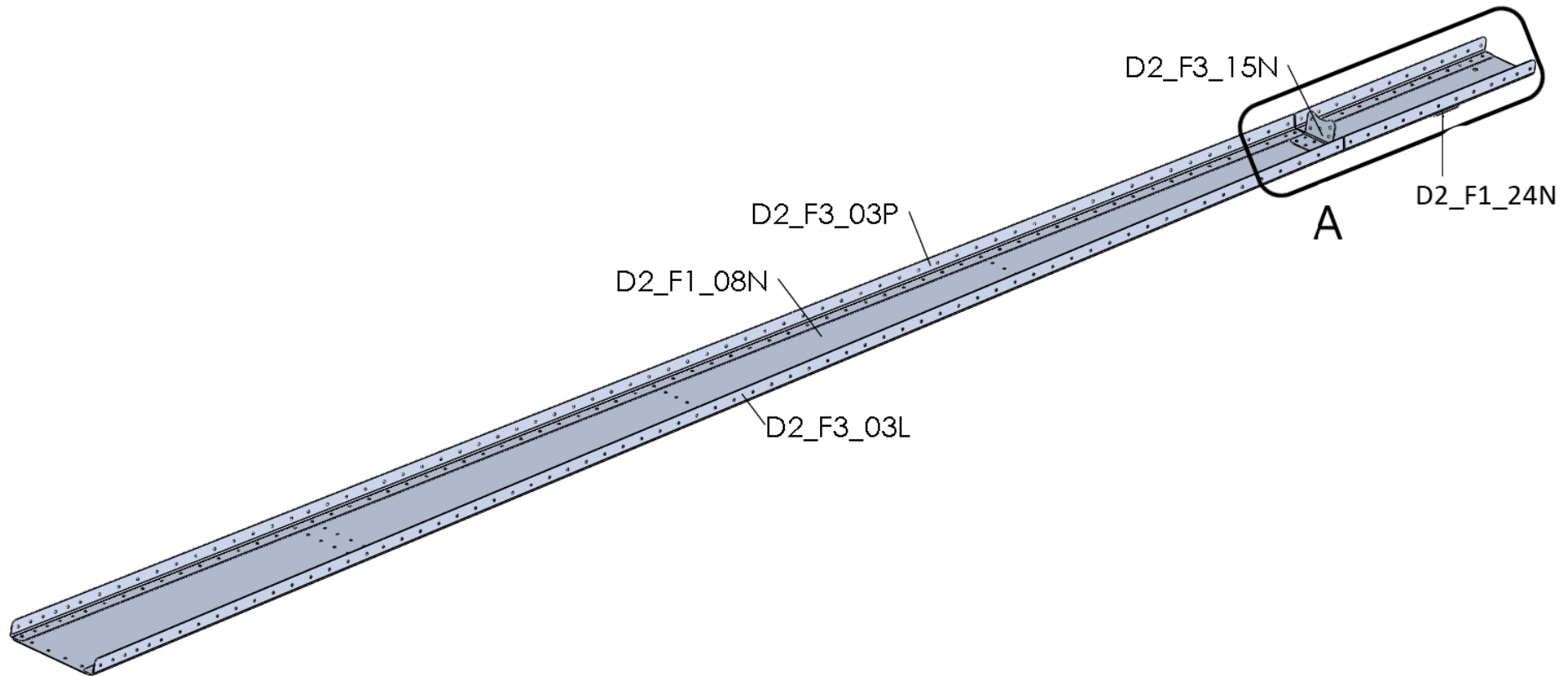
Step 5



Title	Document no.	Revision	Page	Pages
Fuselage assembly manual	D2_F0_00	Rev. 03	24	414



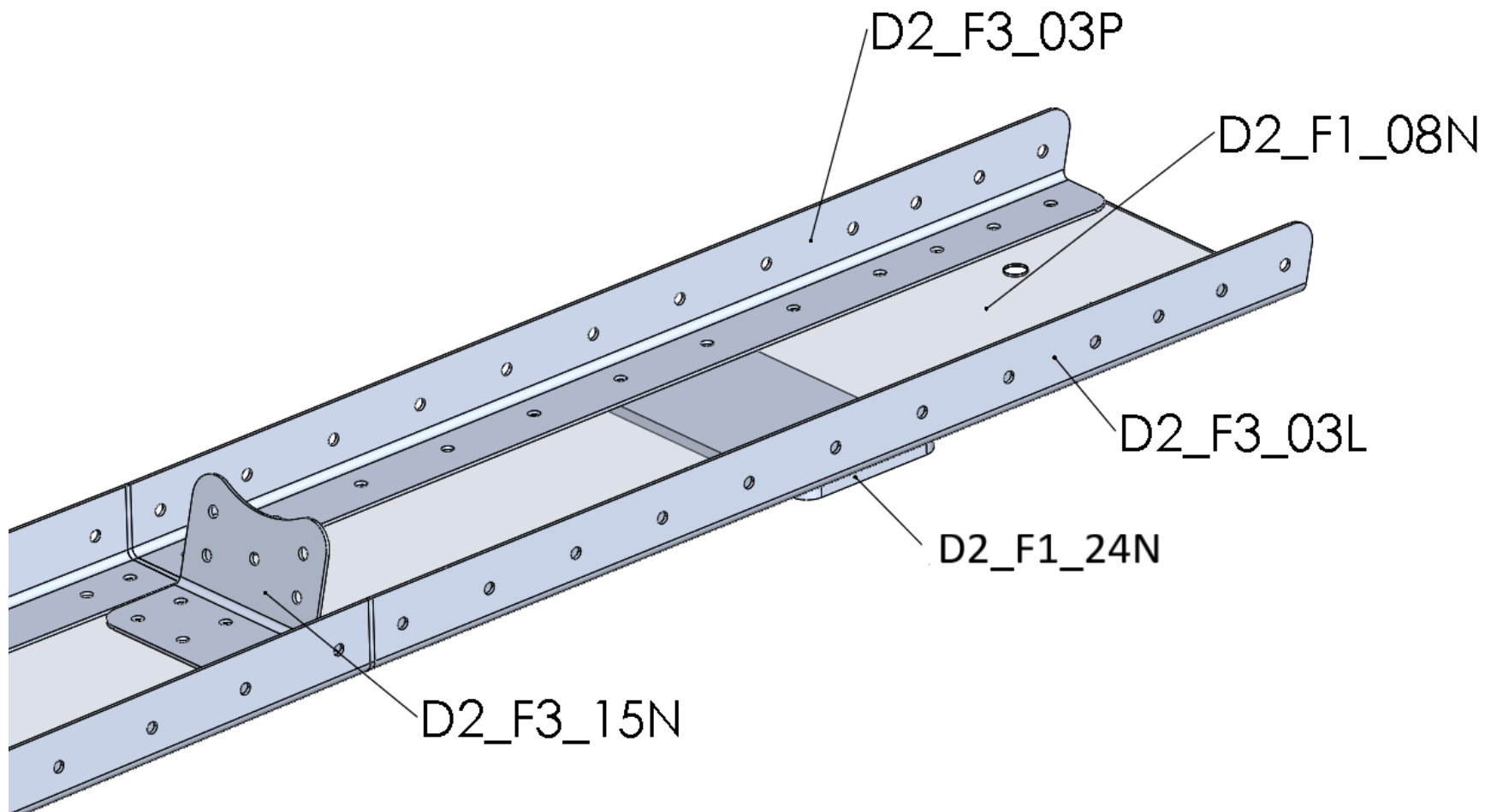
Step 6



Title	Document no.	Revision	Page	Pages
Fuselage assembly manual	D2_F0_00	Rev. 03	25	414



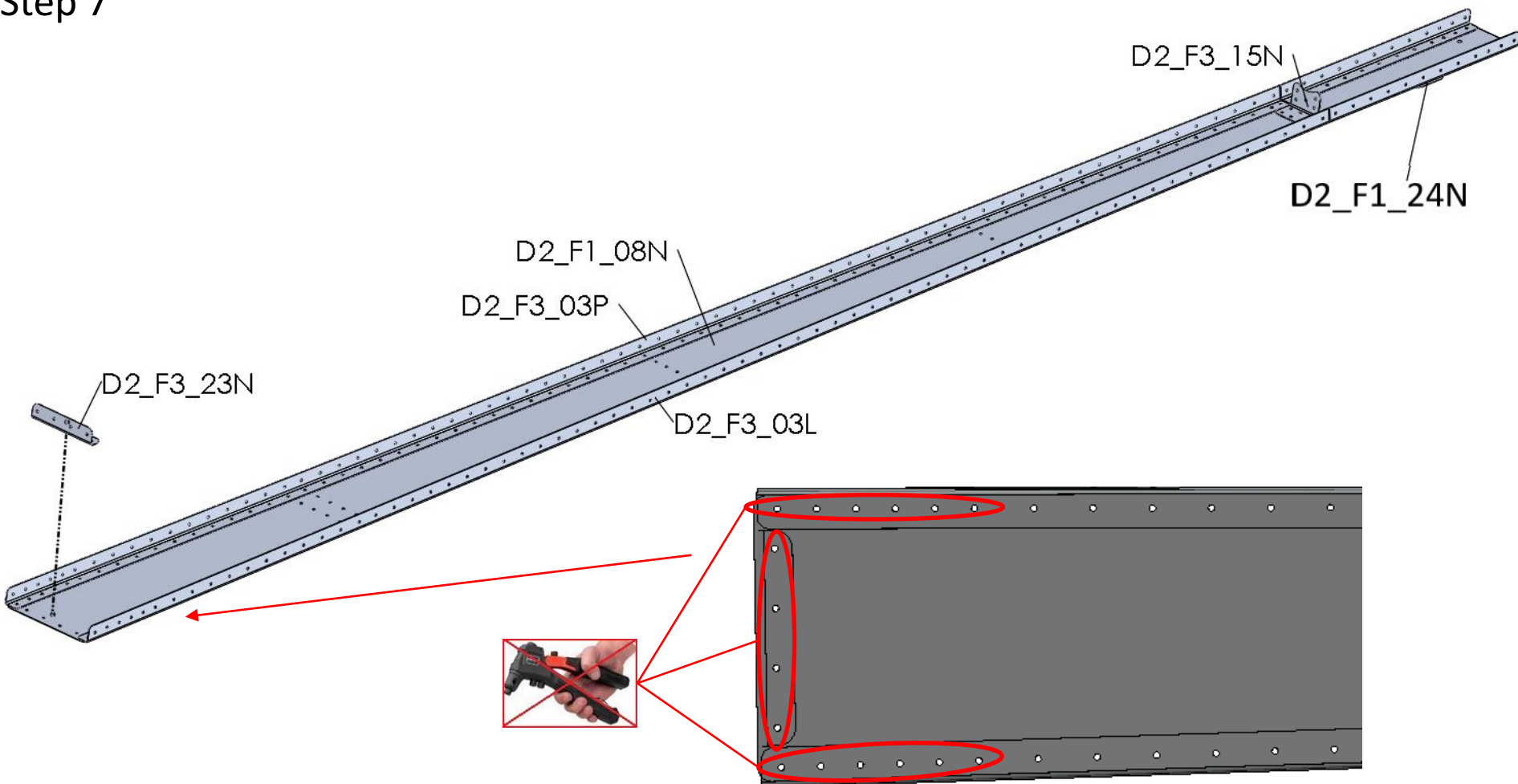
Step 6-A



Title	Document no.	Revision	Page	Pages
Fuselage assembly manual	D2_F0_00	Rev. 03	26	414



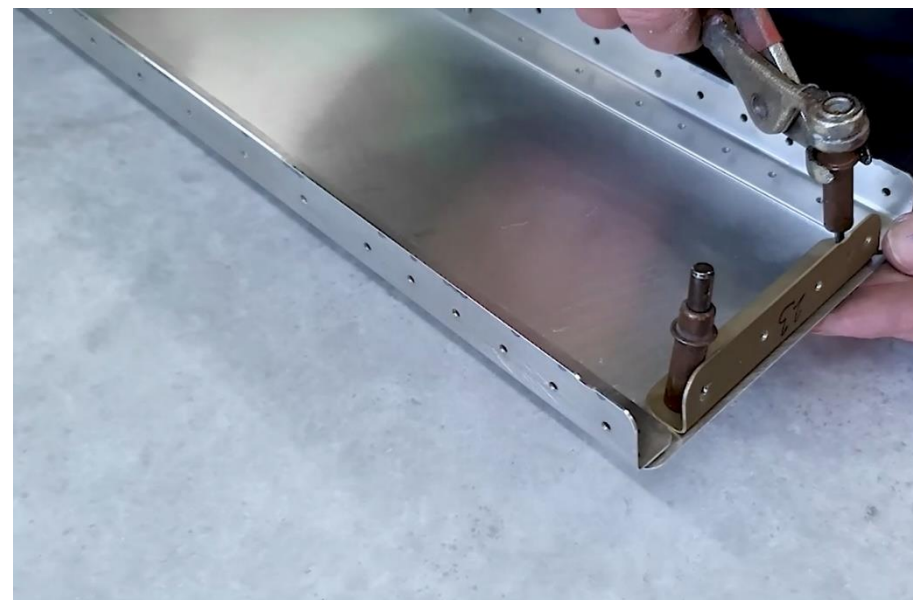
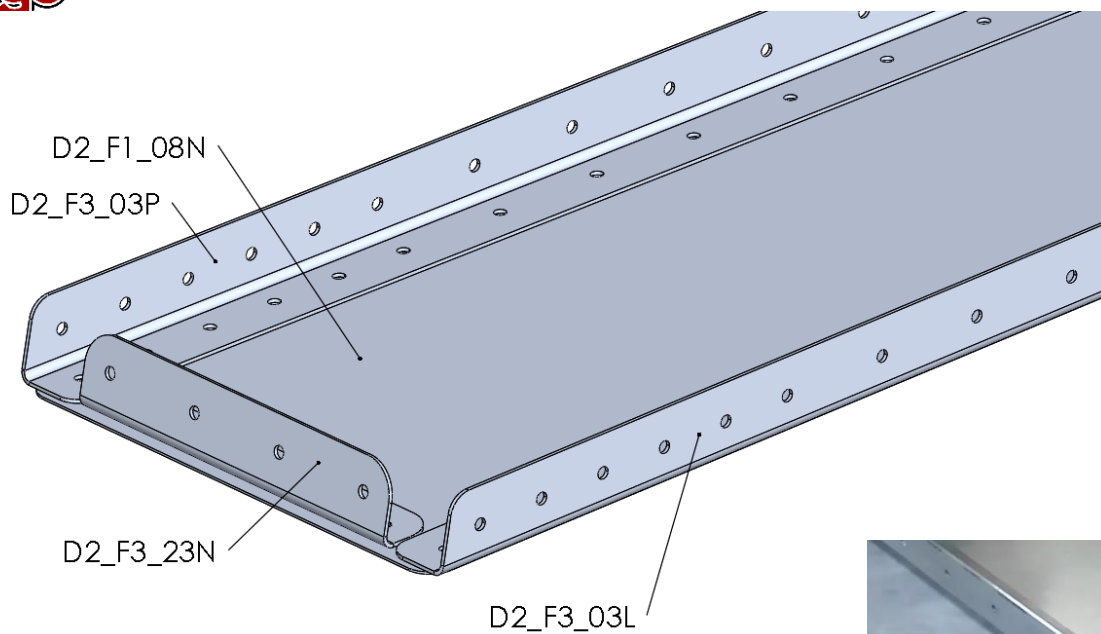
Step 7



Title	Document no.	Revision	Page	Pages
Fuselage assembly manual	D2_F0_00	Rev. 03	27	414



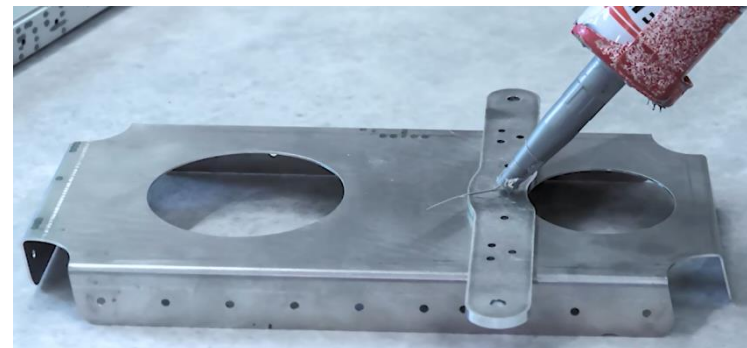
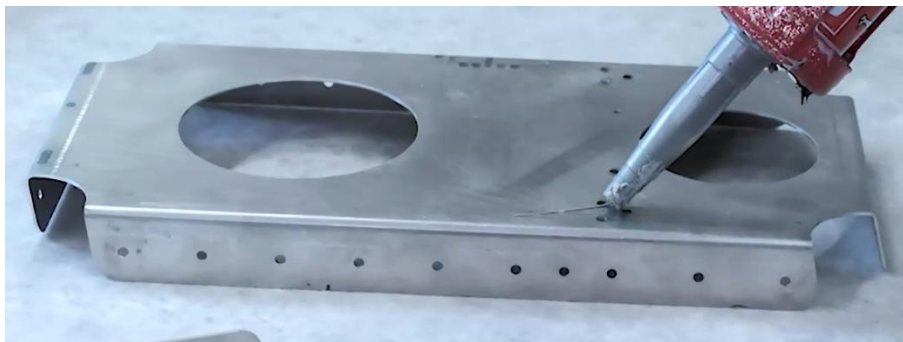
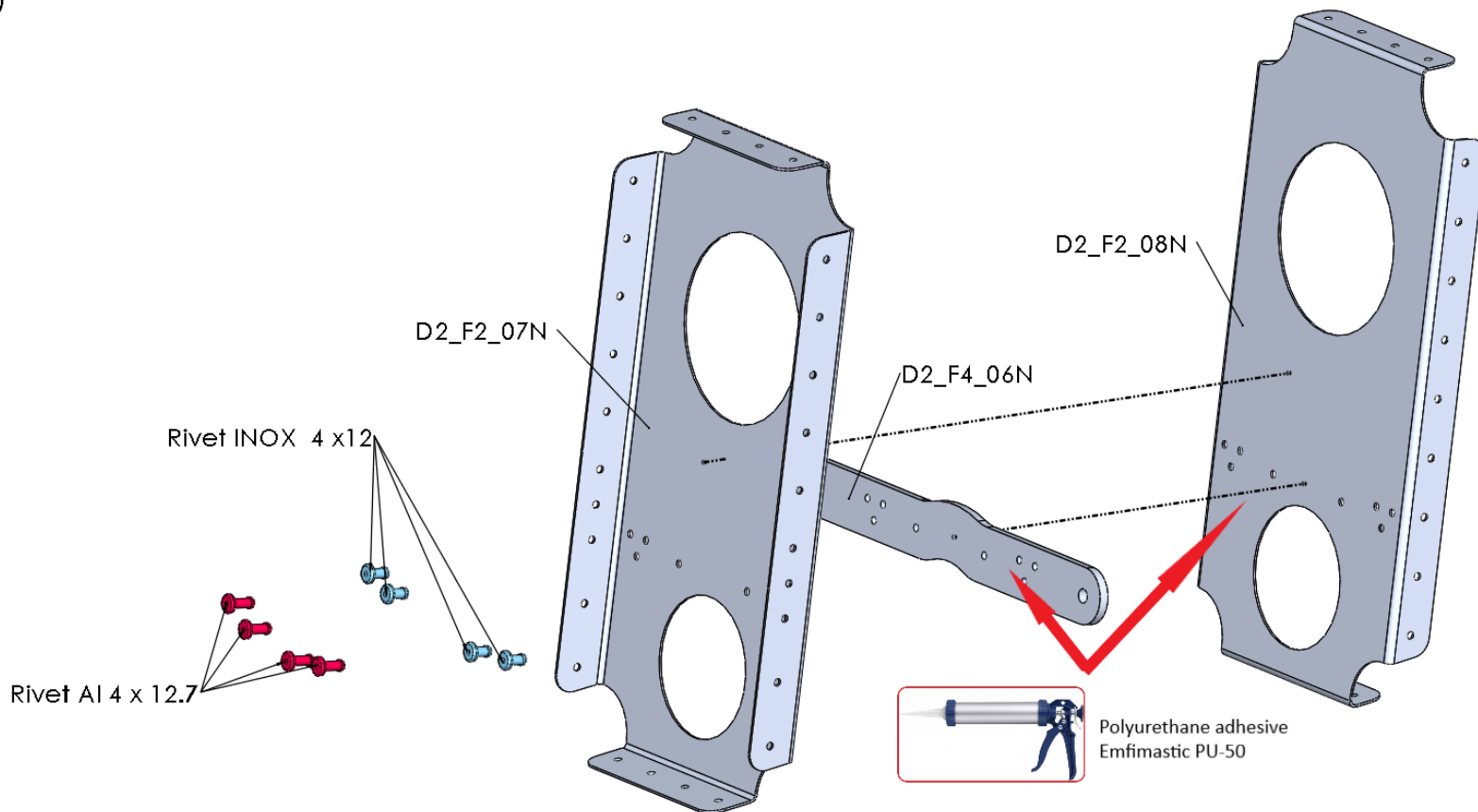
Step 8



Title	Document no.	Revision	Page	Pages
Fuselage assembly manual	D2_F0_00	Rev. 03	28	414



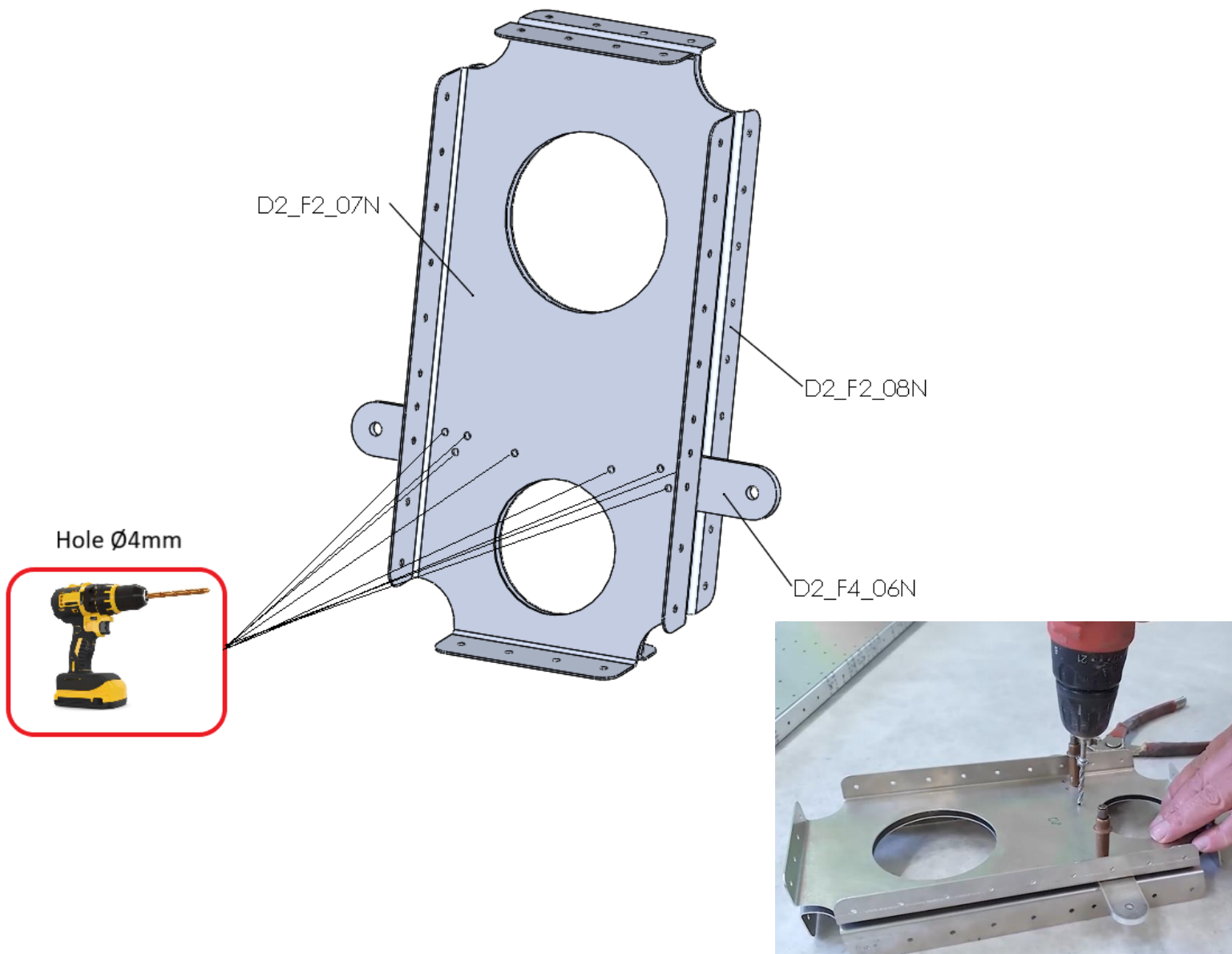
Step 9



Title	Document no.	Revision	Page	Pages
Fuselage assembly manual	D2_F0_00	Rev. 03	29	414



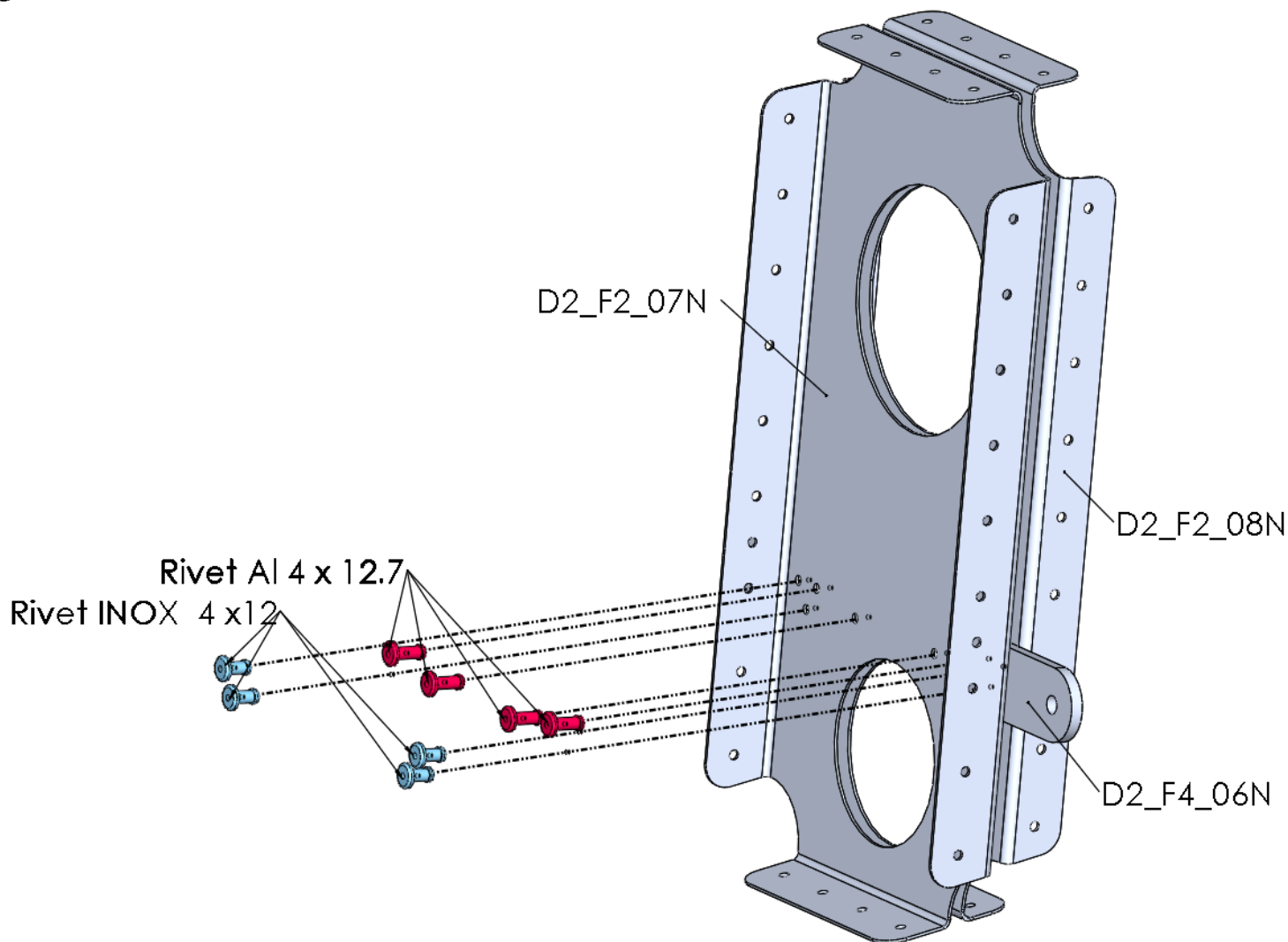
Step 10



Title	Document no.	Revision	Page	Pages
Fuselage assembly manual	D2_F0_00	Rev. 03	30	414



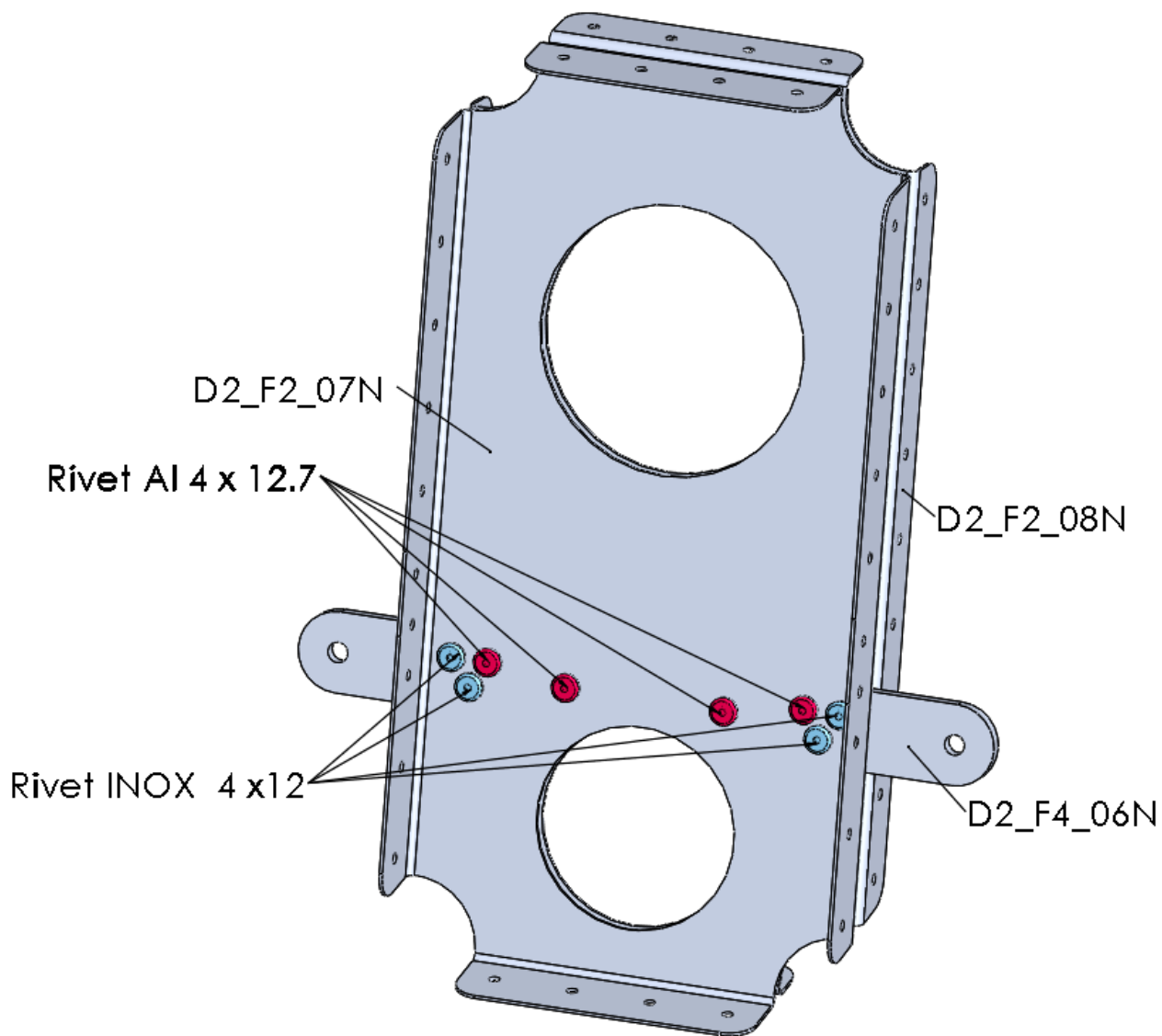
Step 11



Title	Document no.	Revision	Page	Pages
Fuselage assembly manual	D2_F0_00	Rev. 03	31	414



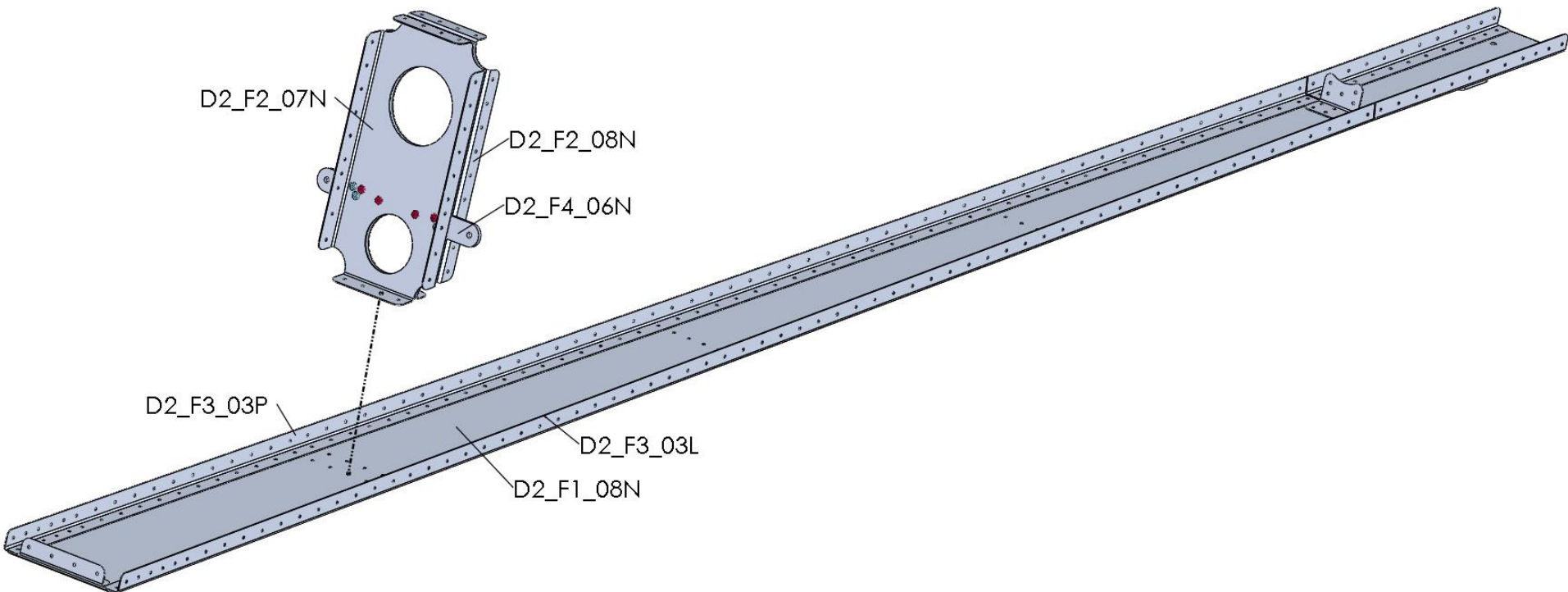
Step 12



Title	Document no.	Revision	Page	Pages
Fuselage assembly manual	D2_F0_00	Rev. 03	32	414



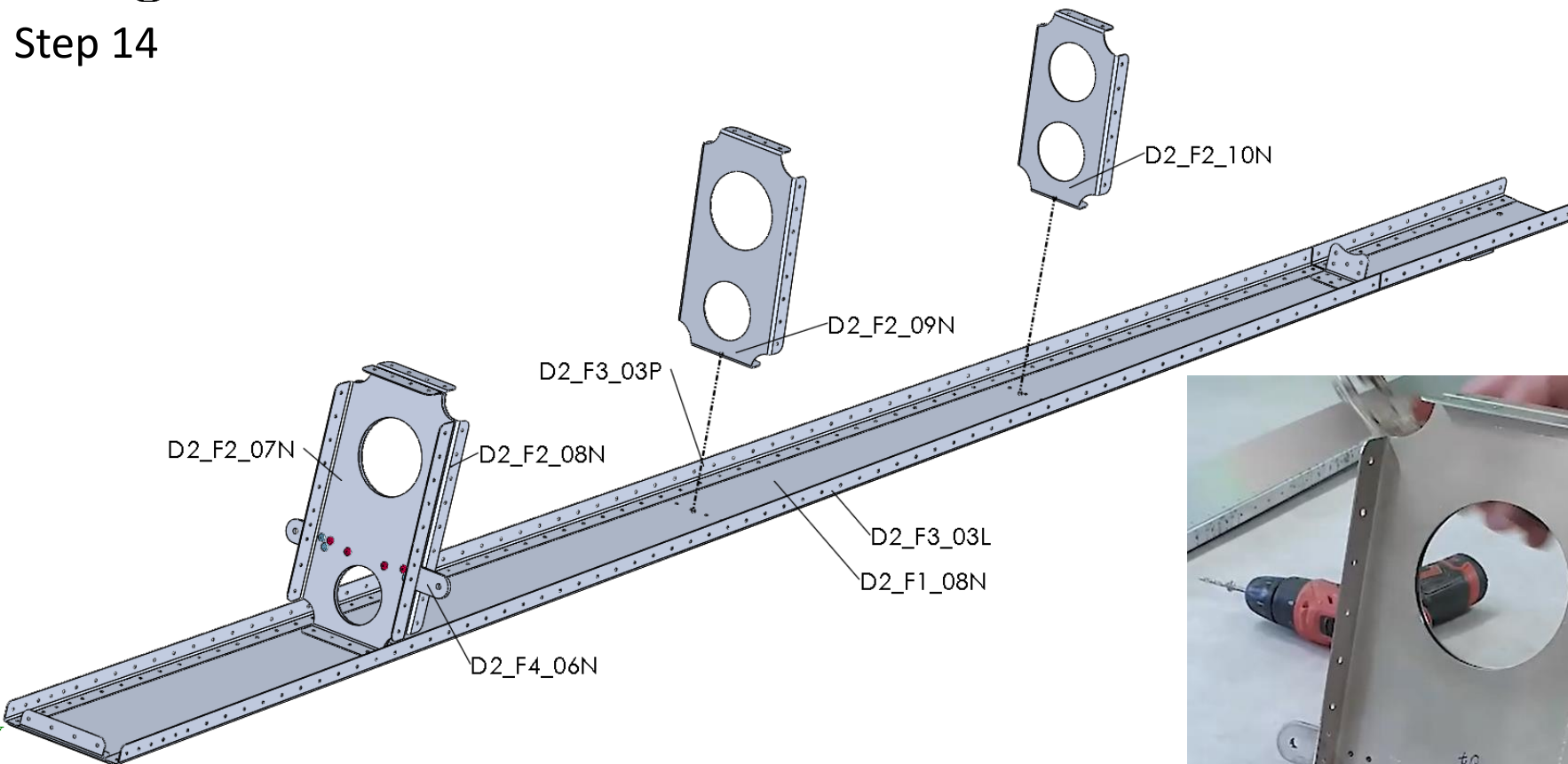
Step 13



Title	Document no.	Revision	Page	Pages
Fuselage assembly manual	D2_F0_00	Rev. 03	33	414



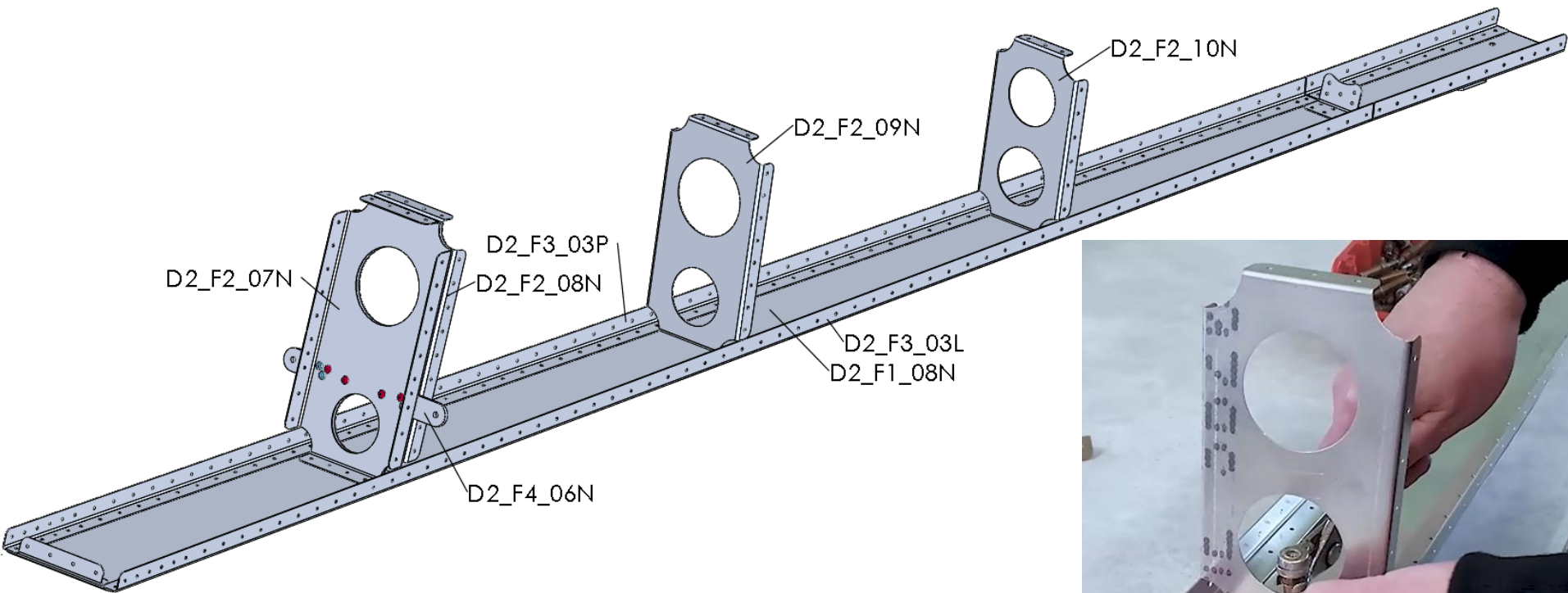
Step 14



Title	Document no.	Revision	Page	Pages
Fuselage assembly manual	D2_F0_00	Rev. 03	34	414



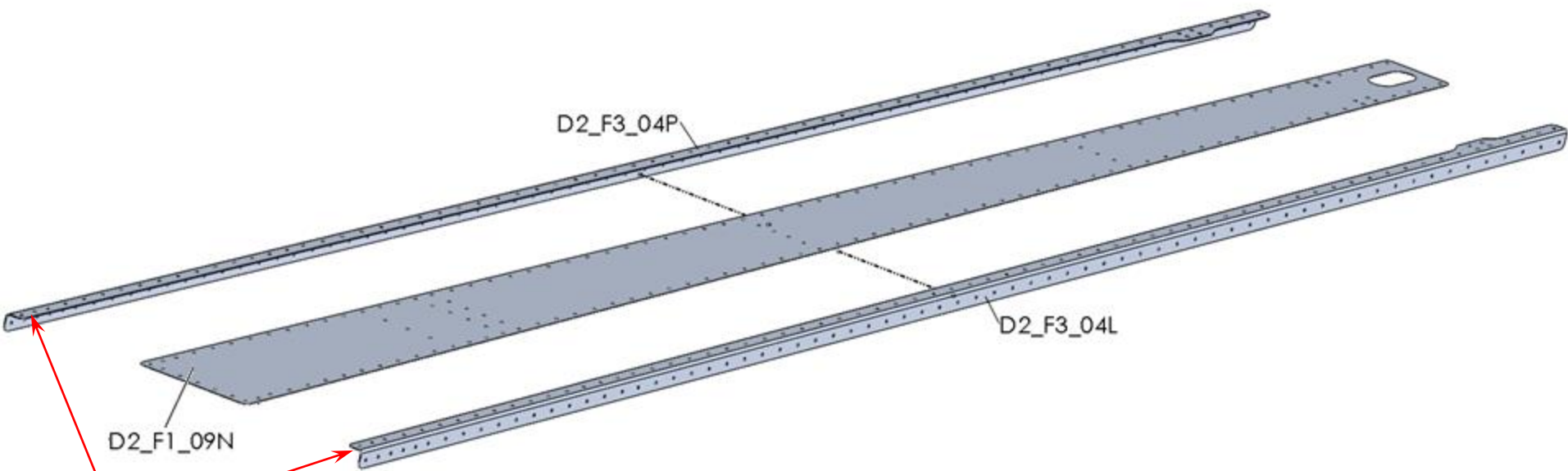
Step 15



Title	Document no.	Revision	Page	Pages
Fuselage assembly manual	D2_F0_00	Rev. 03	35	414



Step 16

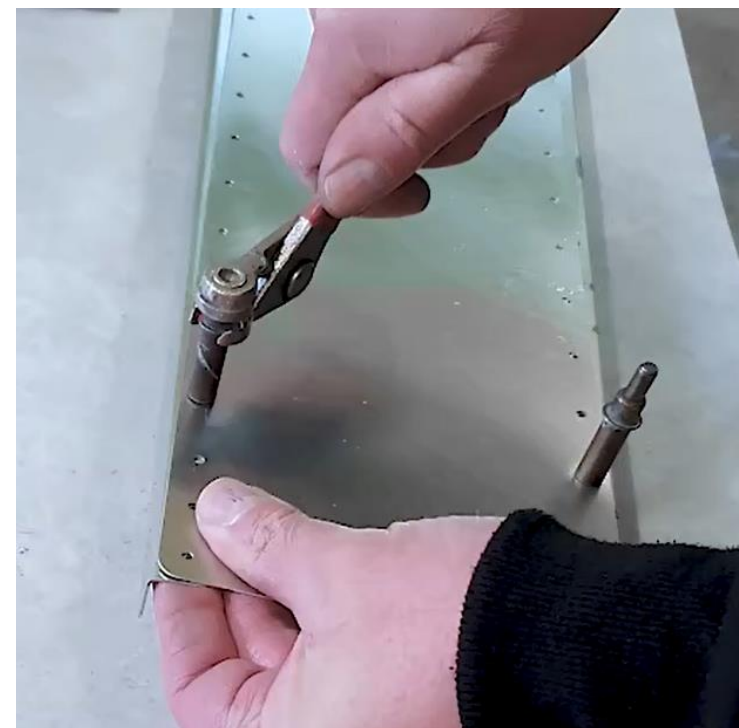
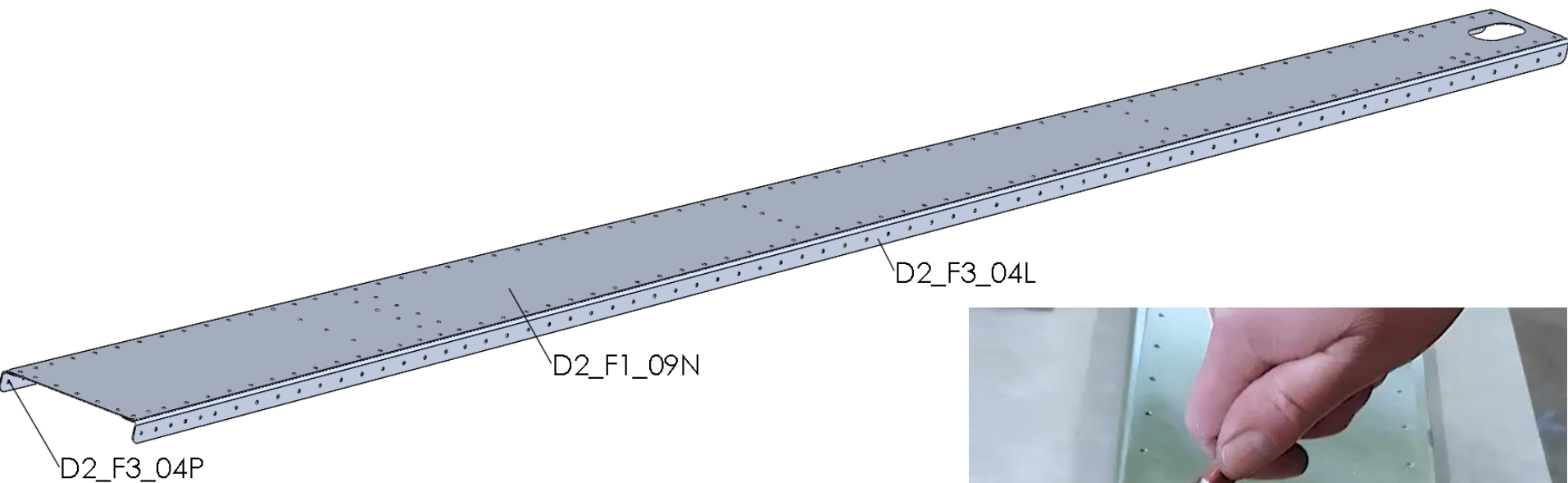


Polyurethane adhesive
Emfimastic PU-50

Title	Document no.	Revision	Page	Pages
Fuselage assembly manual	D2_F0_00	Rev. 03	36	414



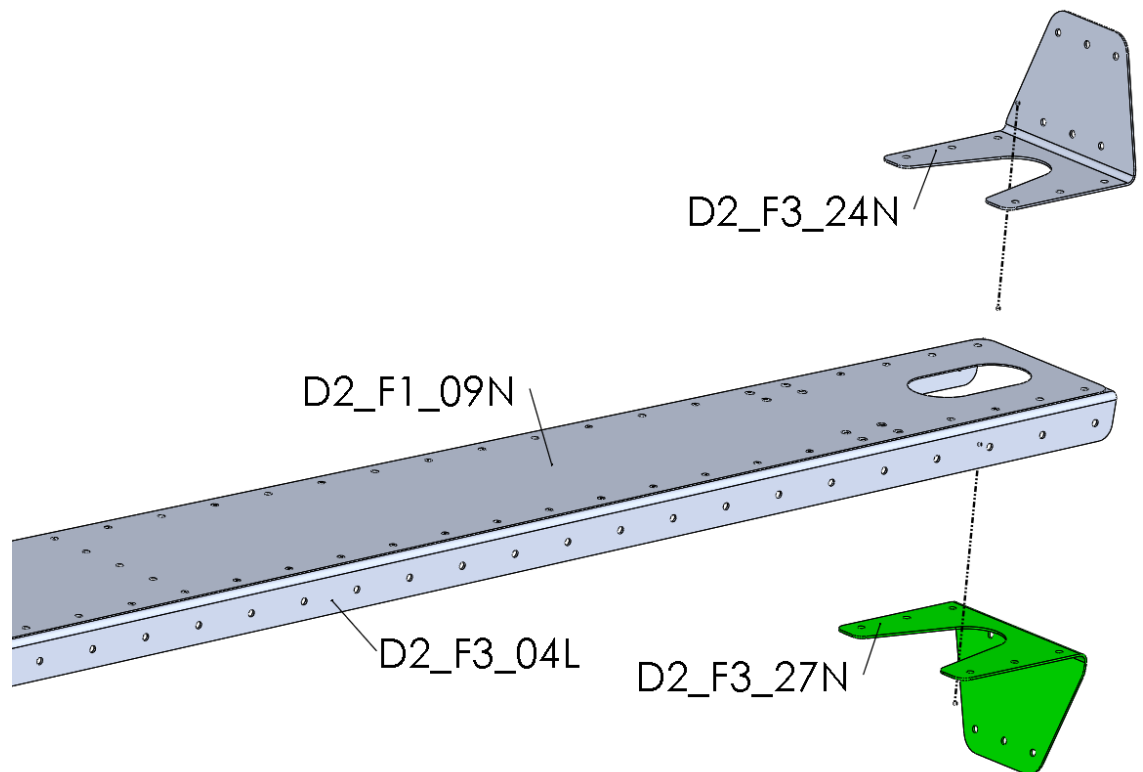
Step 17



Title	Document no.	Revision	Page	Pages
Fuselage assembly manual	D2_F0_00	Rev. 03	37	414



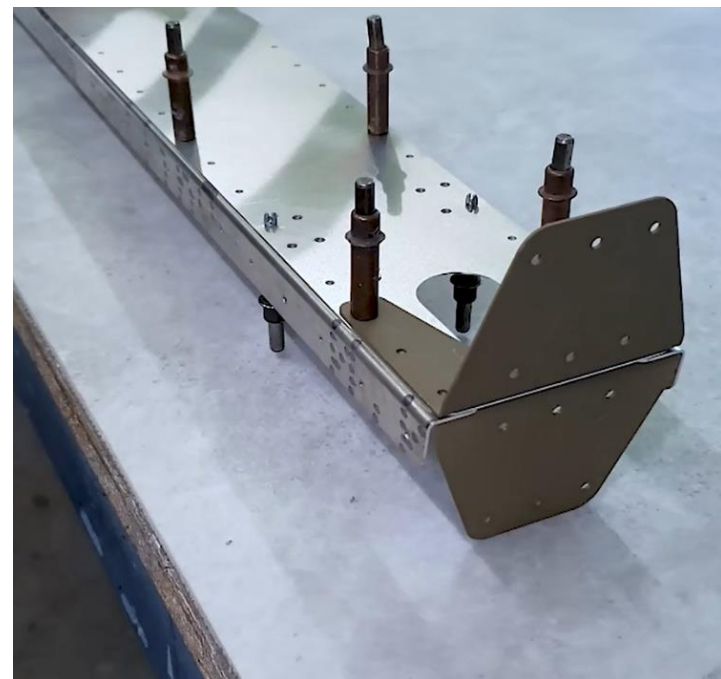
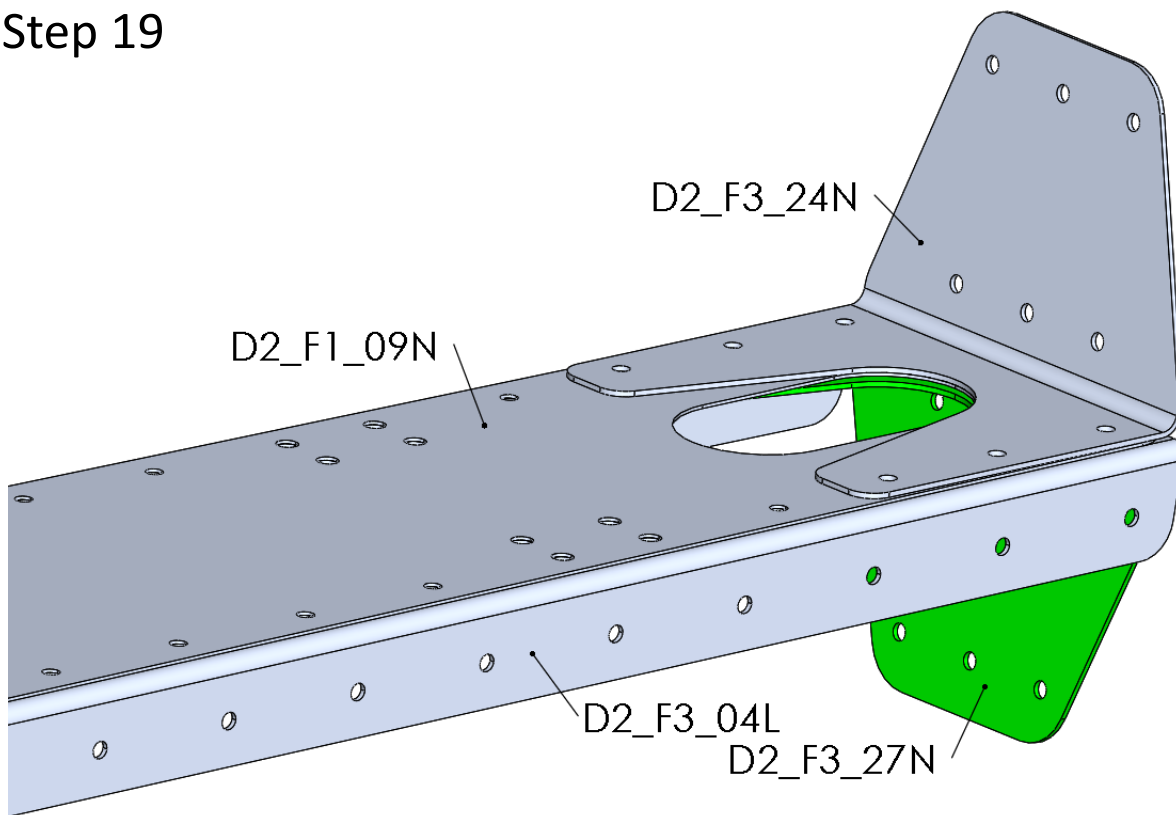
Step 18



Title	Document no.	Revision	Page	Pages
Fuselage assembly manual	D2_F0_00	Rev. 03	38	414



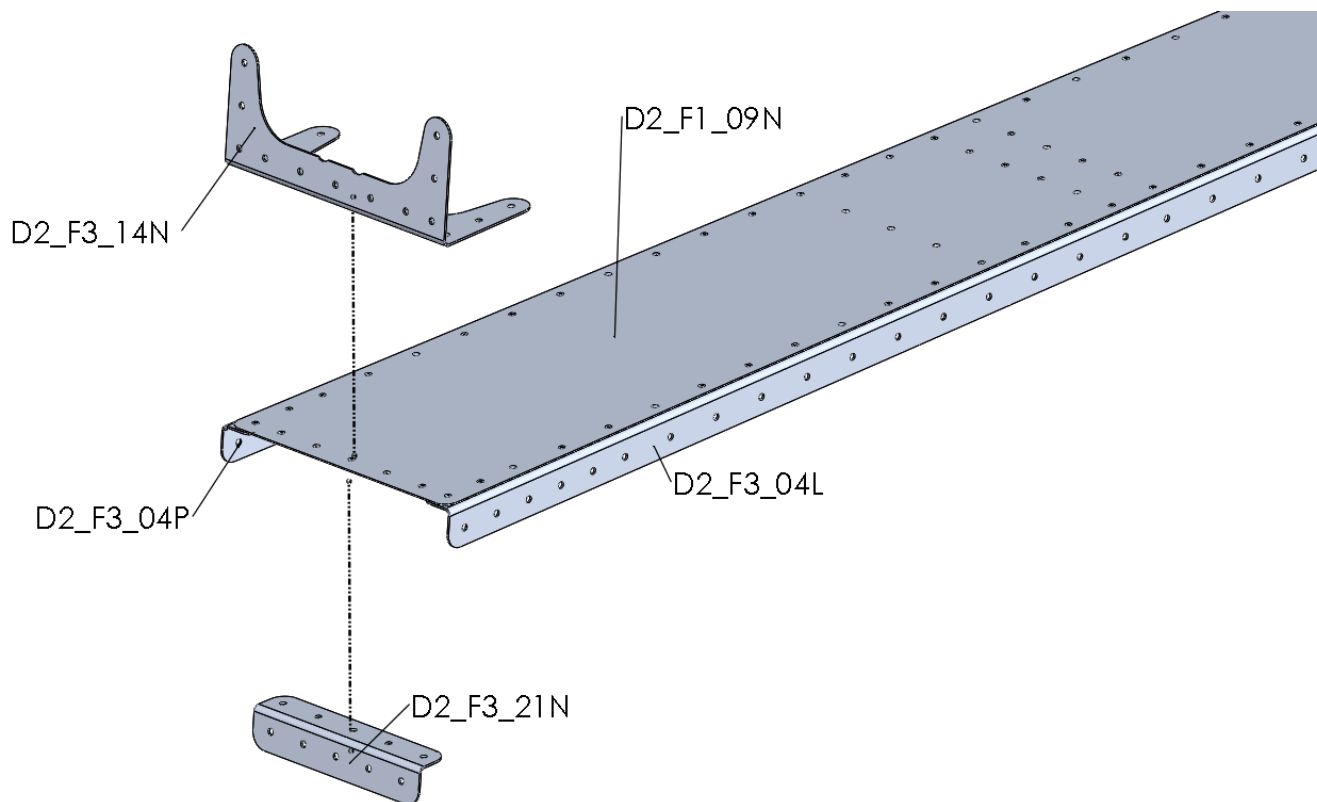
Step 19



Title	Document no.	Revision	Page	Pages
Fuselage assembly manual	D2_F0_00	Rev. 03	39	414



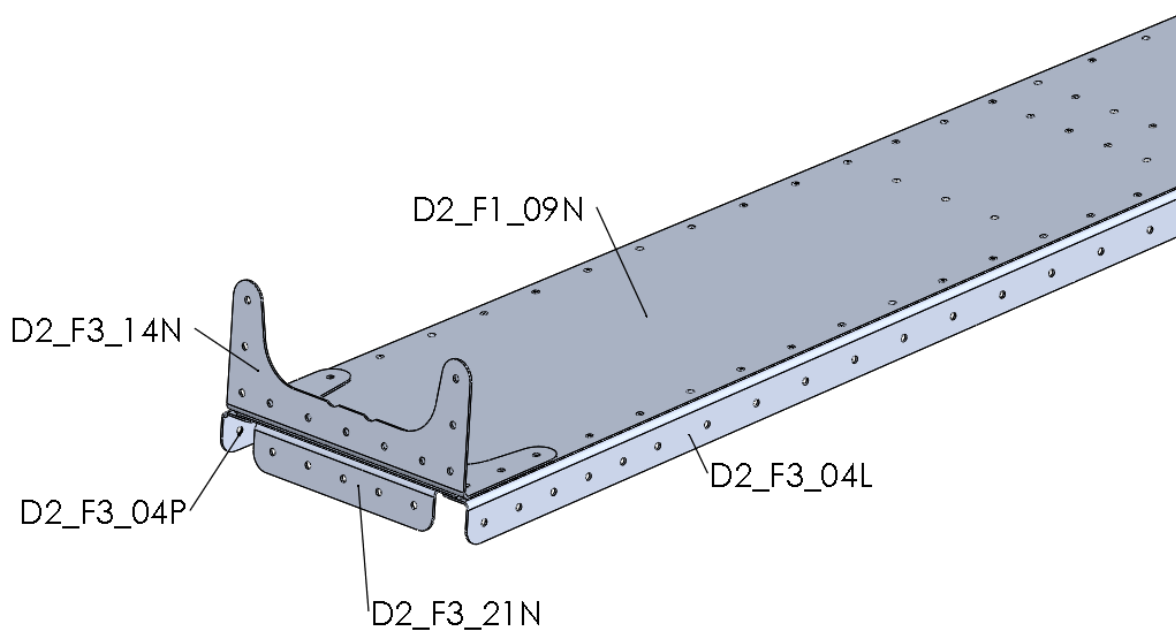
Step 20



Title	Document no.	Revision	Page	Pages
Fuselage assembly manual	D2_F0_00	Rev. 03	40	414



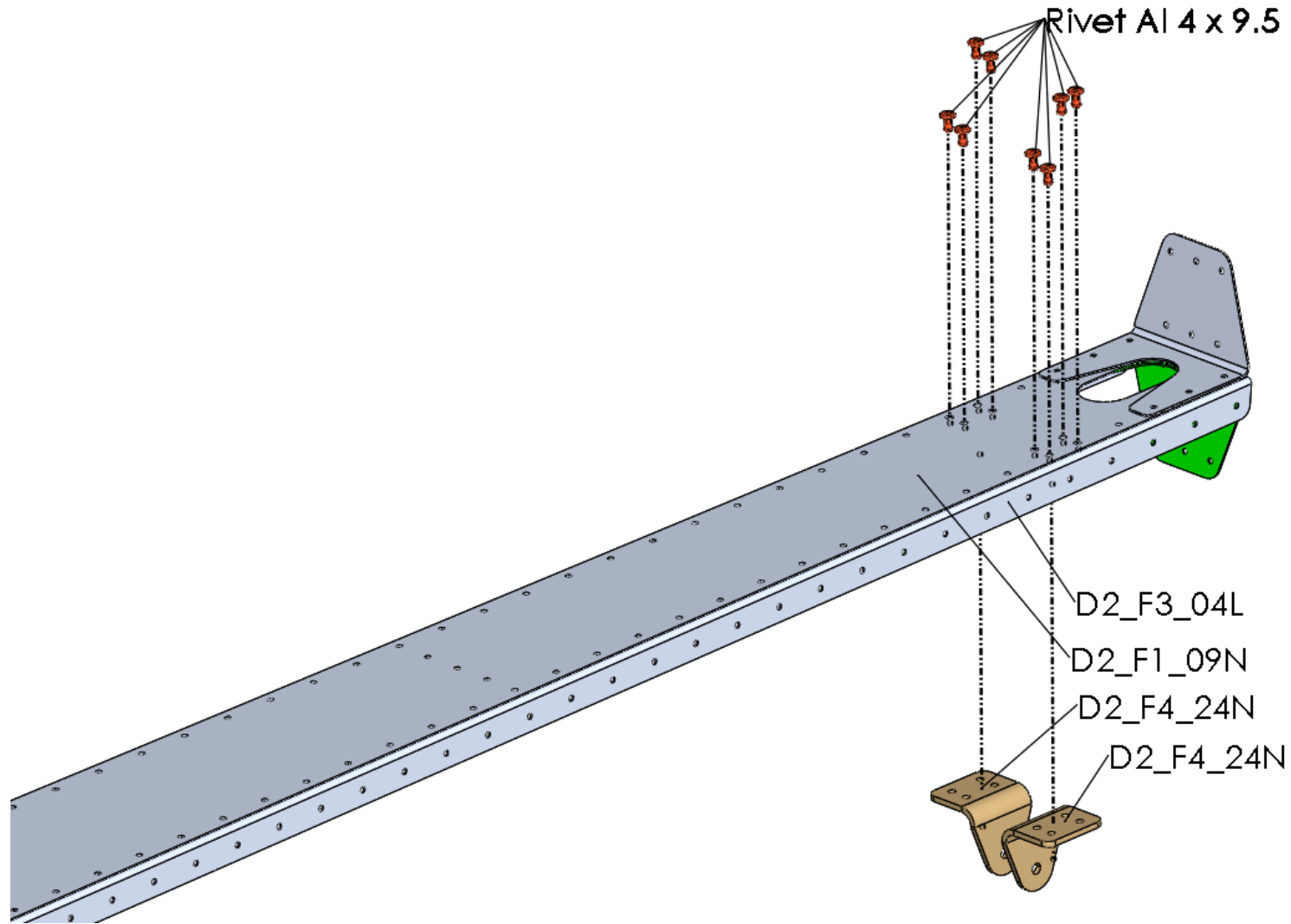
Step 21



Title	Document no.	Revision	Page	Pages
Fuselage assembly manual	D2_F0_00	Rev. 03	41	414



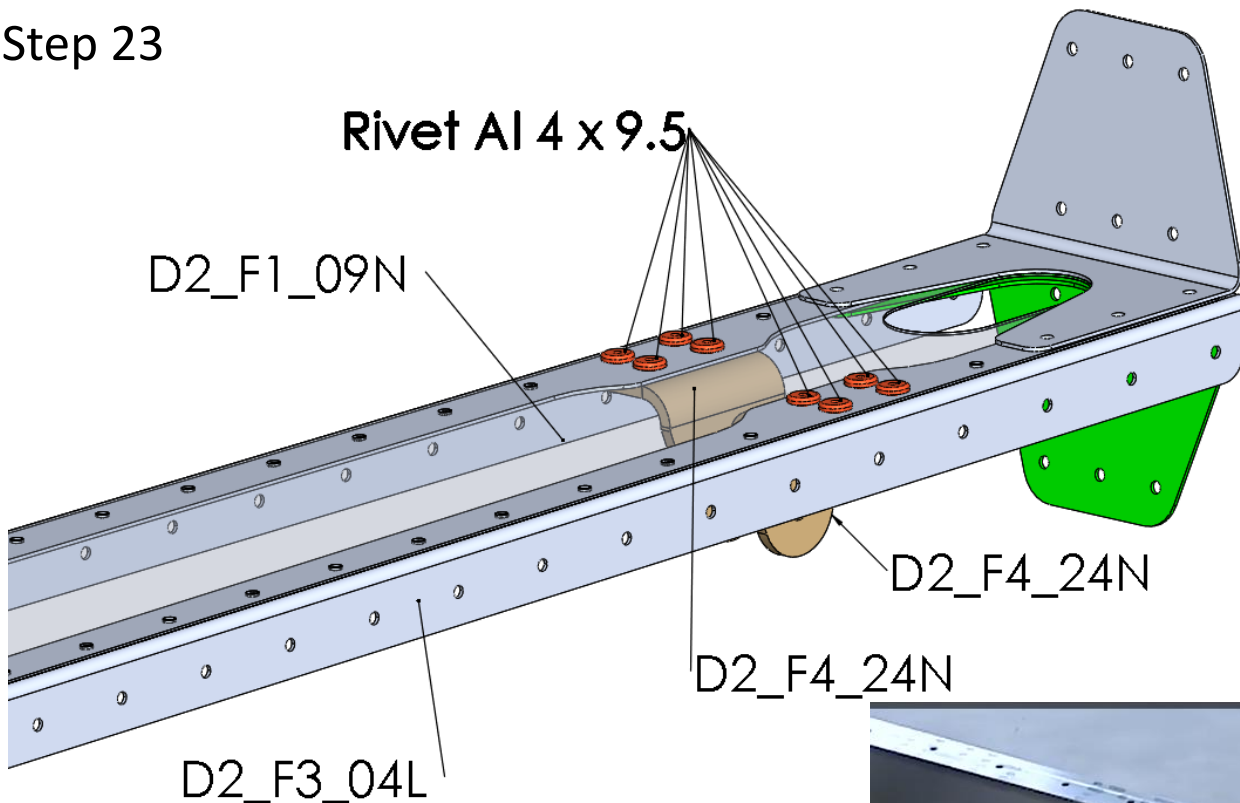
Step 22



Title	Document no.	Revision	Page	Pages
Fuselage assembly manual	D2_F0_00	Rev. 03	42	414



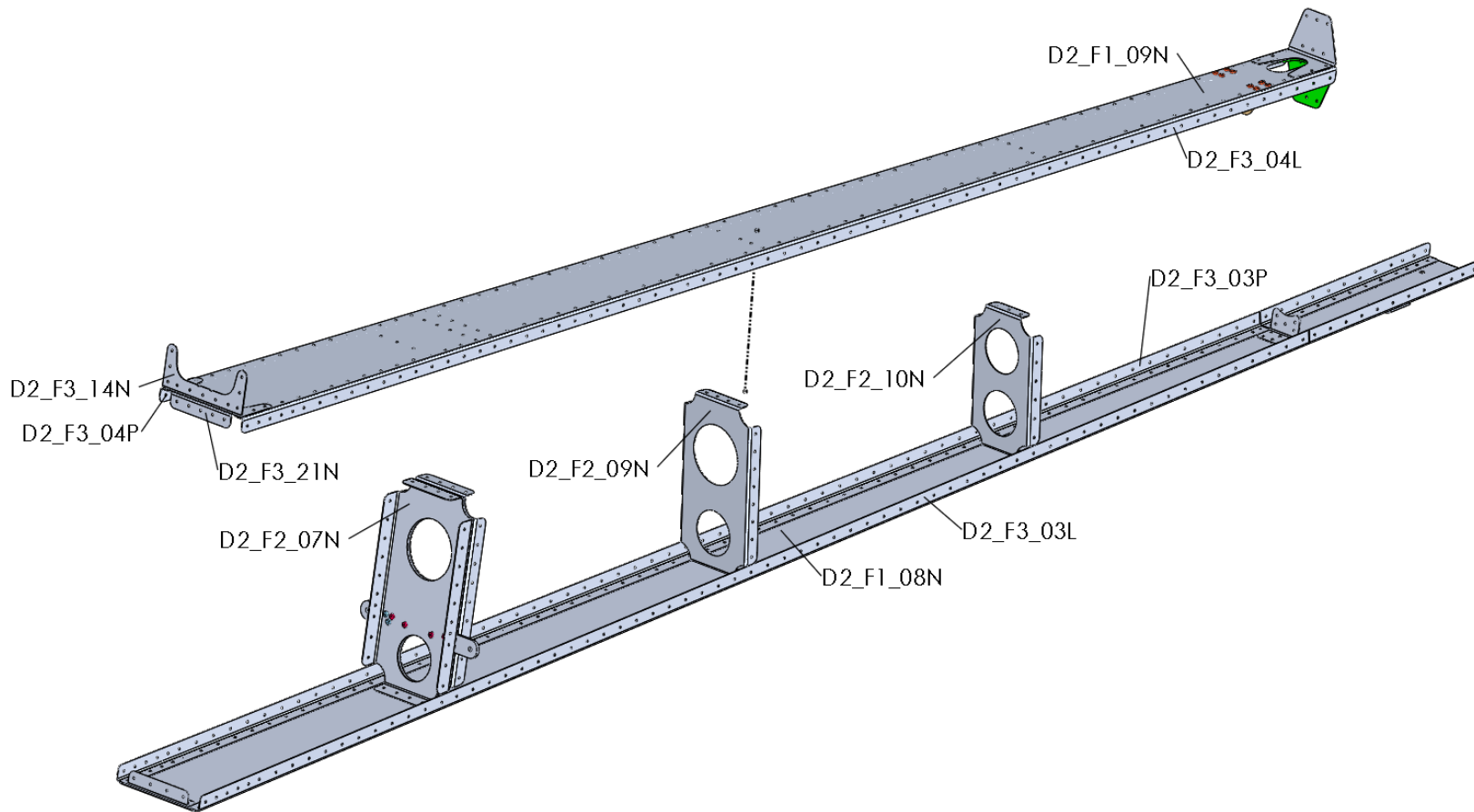
Step 23



Title	Document no.	Revision	Page	Pages
Fuselage assembly manual	D2_F0_00	Rev. 03	43	414



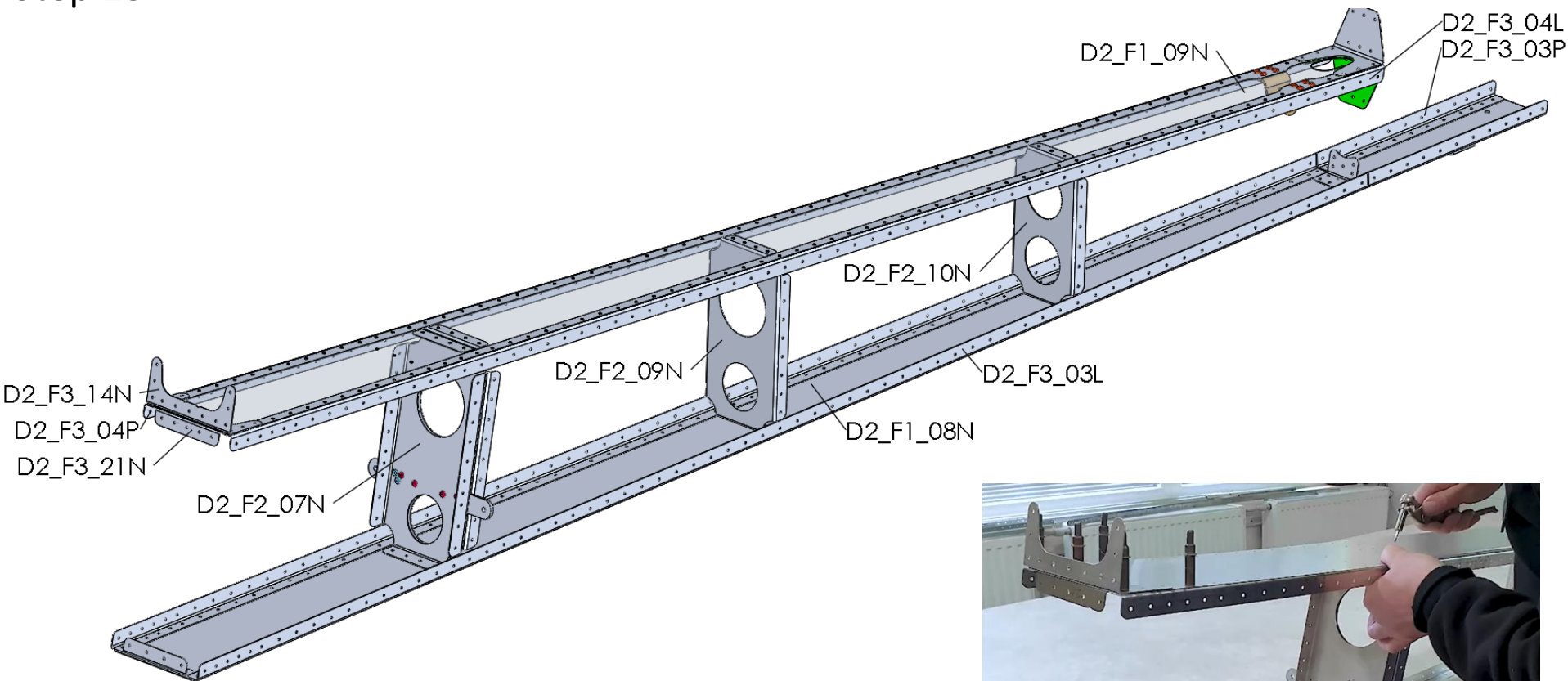
Step 24



Title	Document no.	Revision	Page	Pages
Fuselage assembly manual	D2_F0_00	Rev. 03	44	414



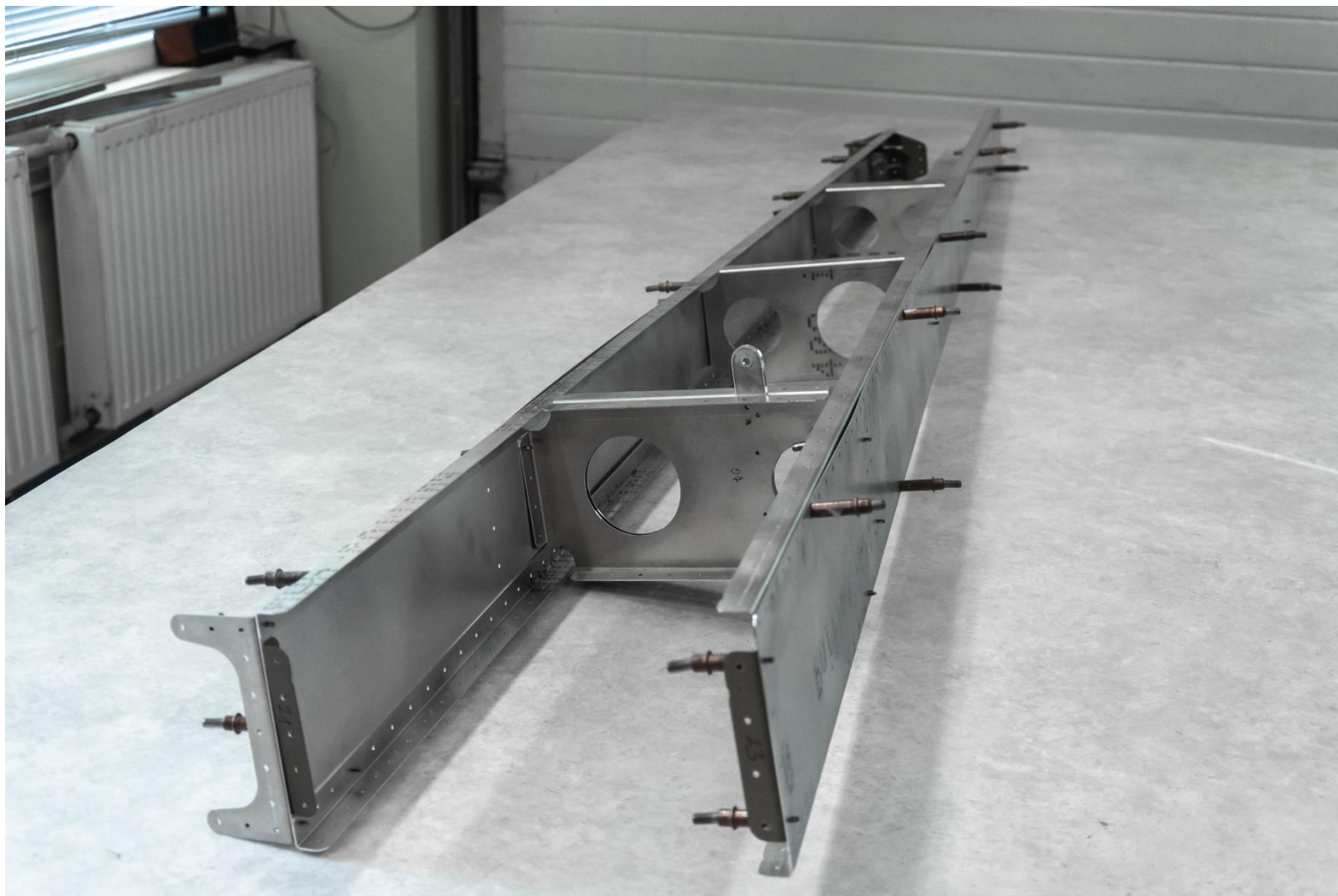
Step 25



Title	Document no.	Revision	Page	Pages
Fuselage assembly manual	D2_F0_00	Rev. 03	45	414



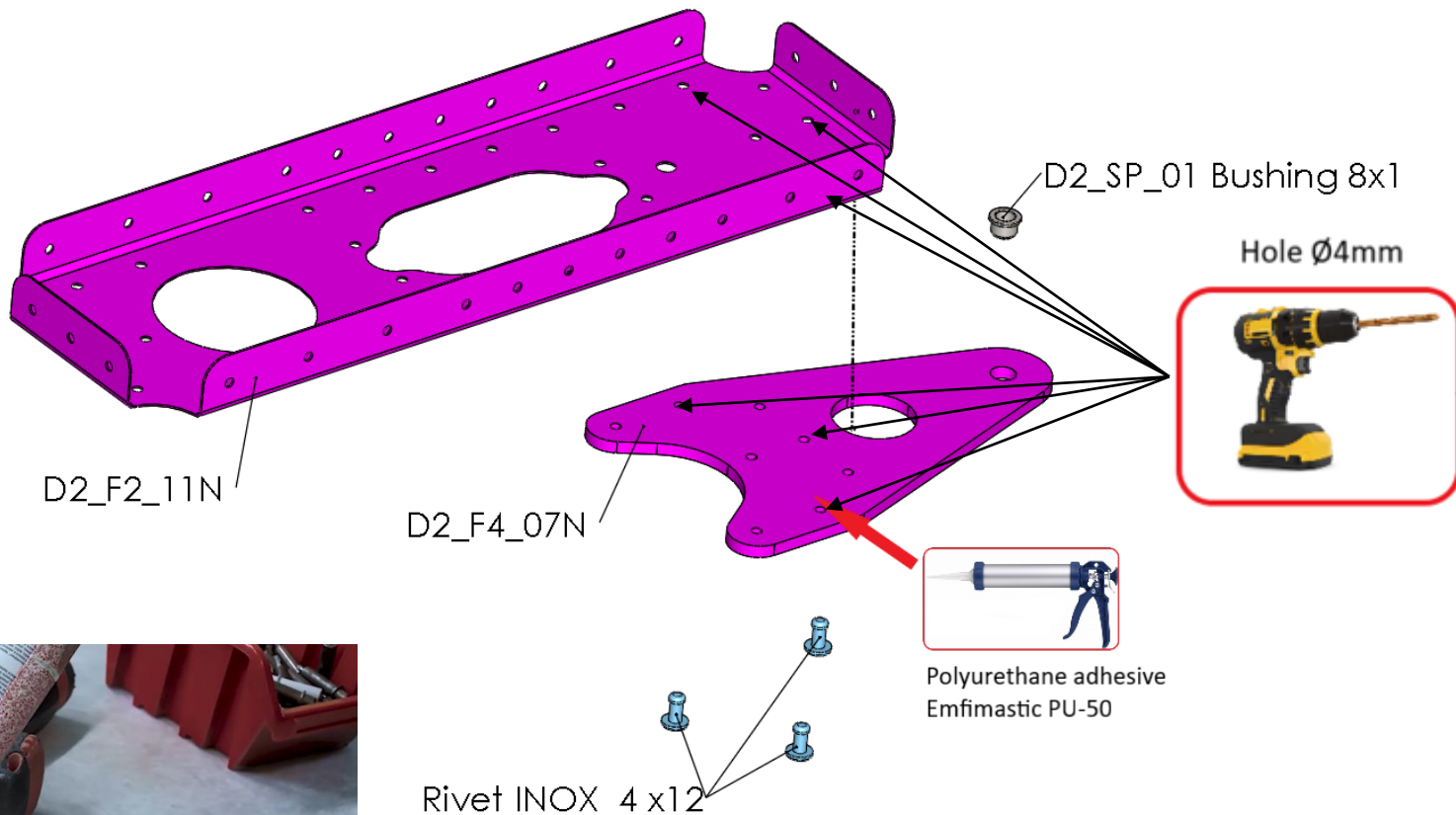
Step 26



Title	Document no.	Revision	Page	Pages
Fuselage assembly manual	D2_F0_00	Rev. 03	46	414



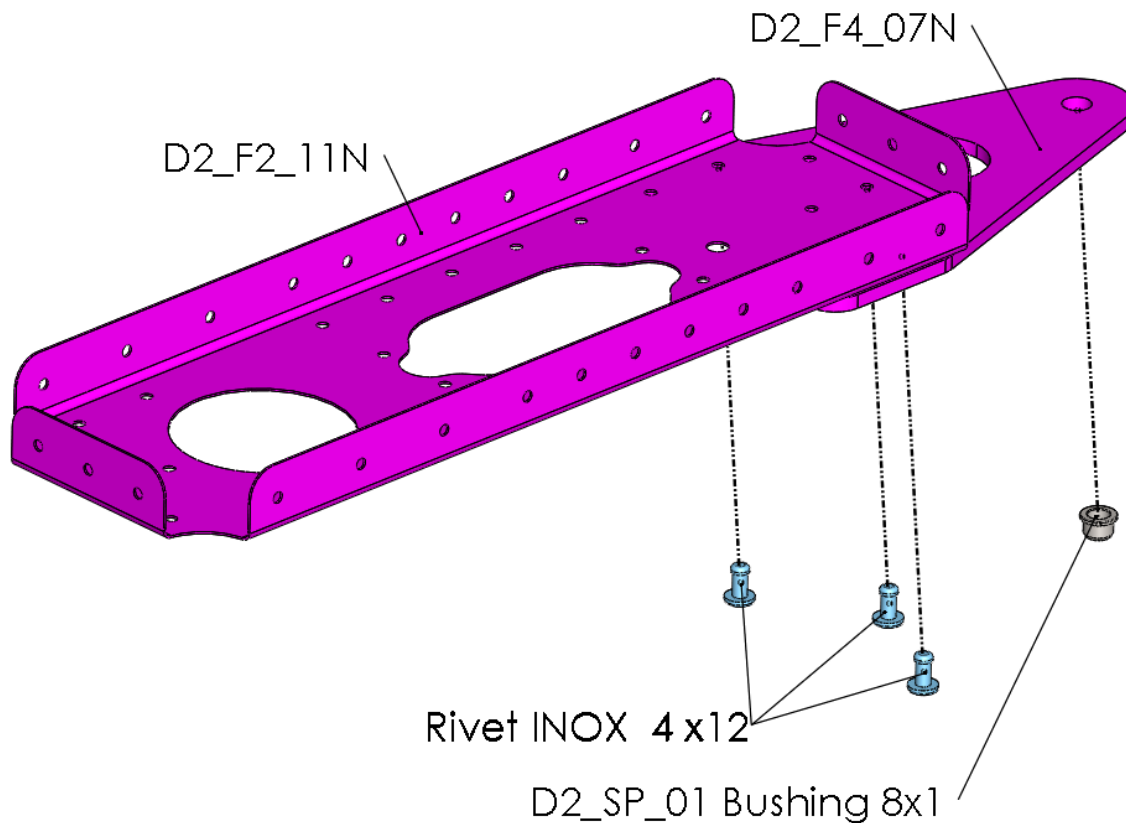
Step 27



Title	Document no.	Revision	Page	Pages
Fuselage assembly manual	D2_F0_00	Rev. 03	47	414



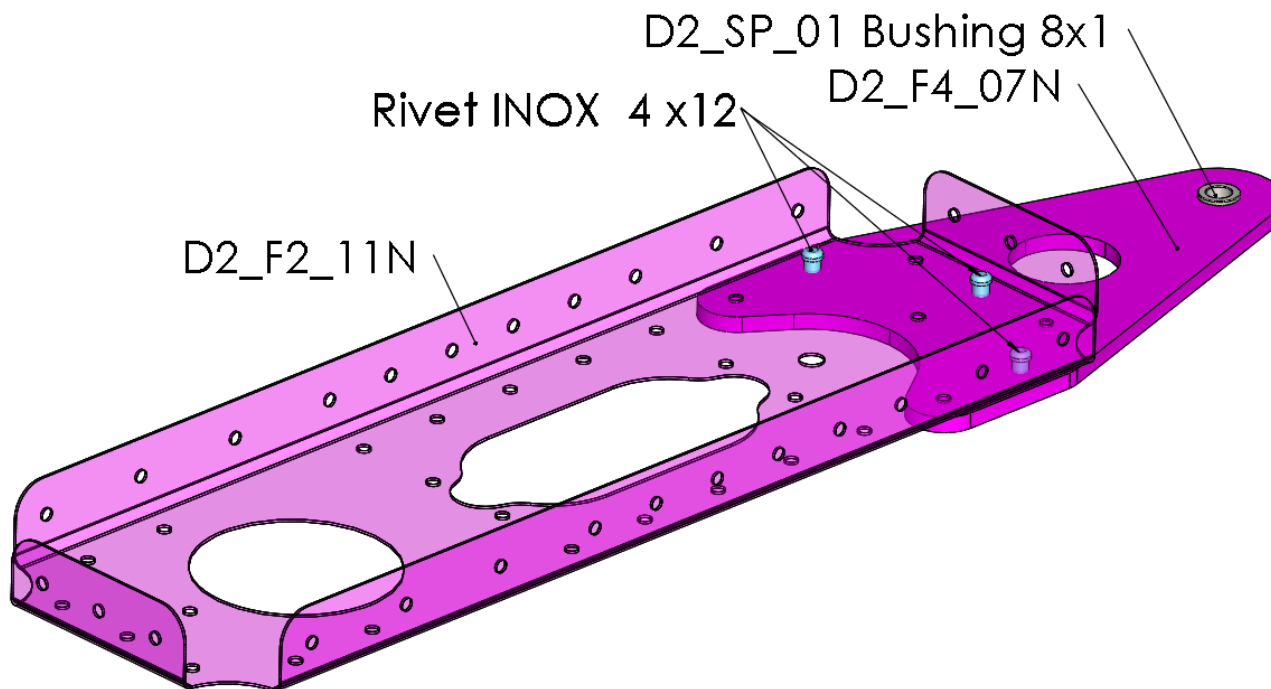
Step 28



Title	Document no.	Revision	Page	Pages
Fuselage assembly manual	D2_F0_00	Rev. 03	48	414



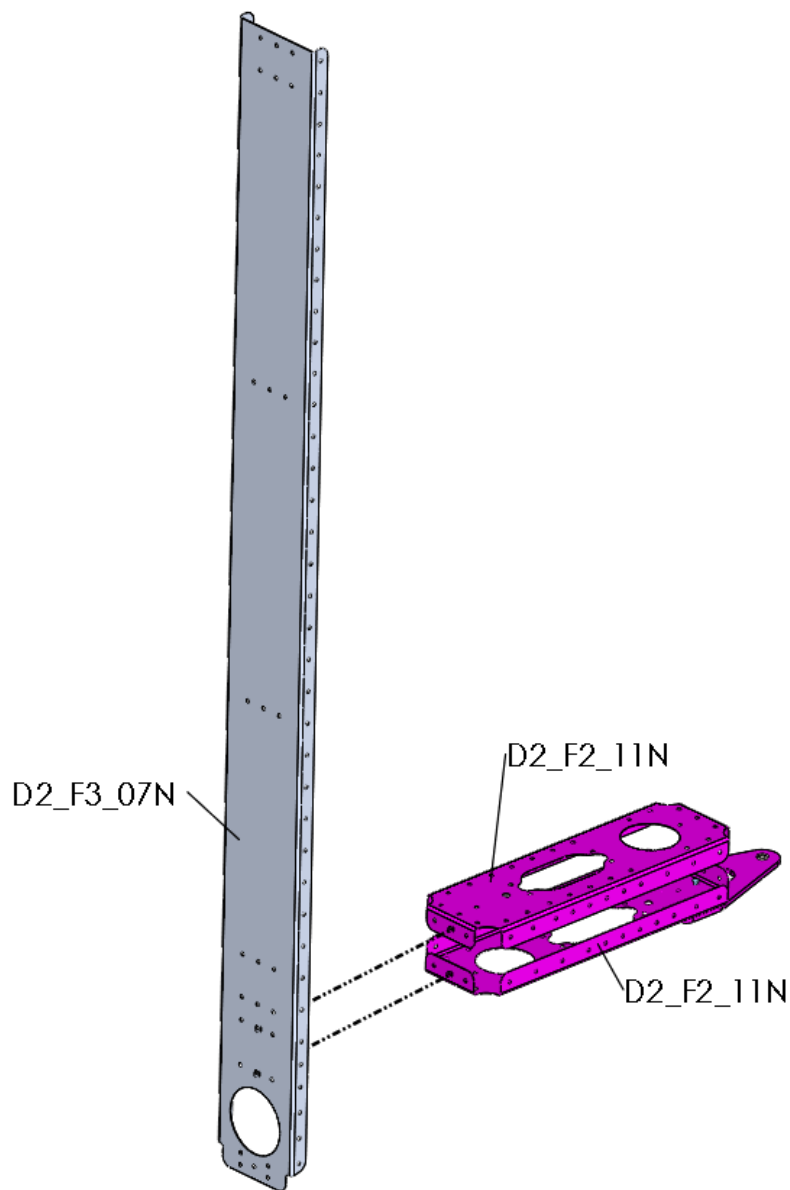
Step 29



Title	Document no.	Revision	Page	Pages
Fuselage assembly manual	D2_F0_00	Rev. 03	49	414



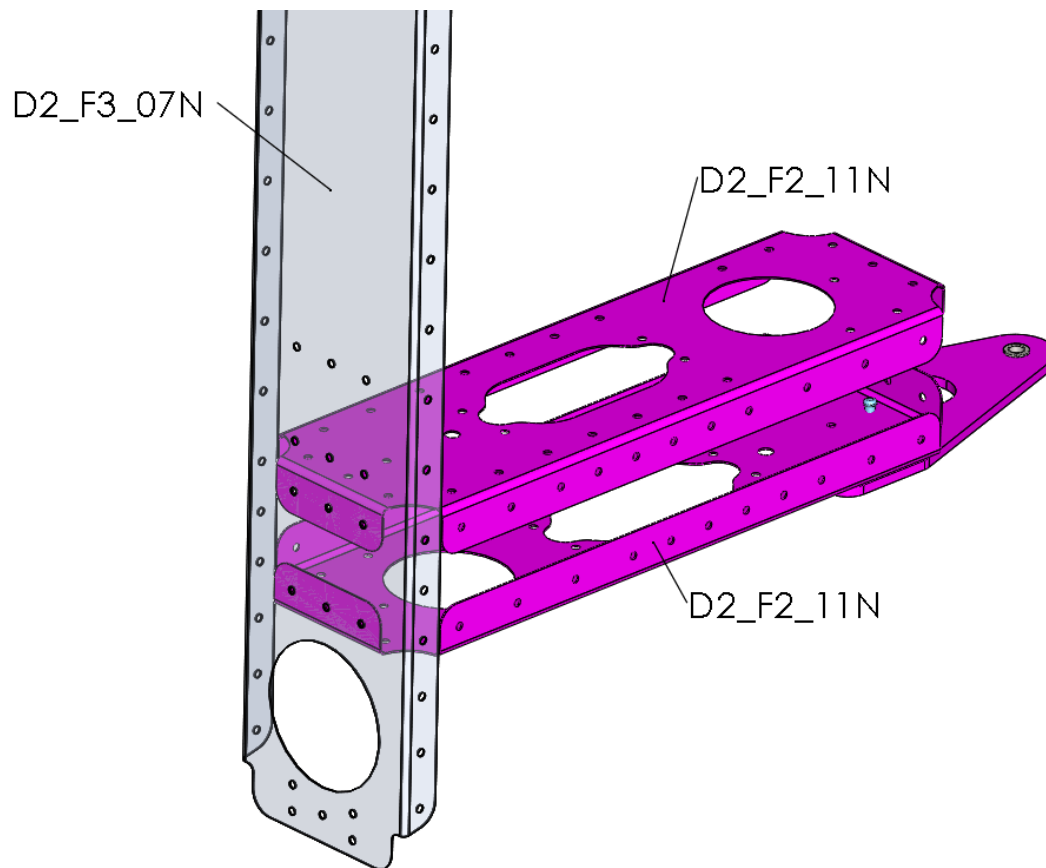
Step 30



Title	Document no.	Revision	Page	Pages
Fuselage assembly manual	D2_F0_00	Rev. 03	50	414



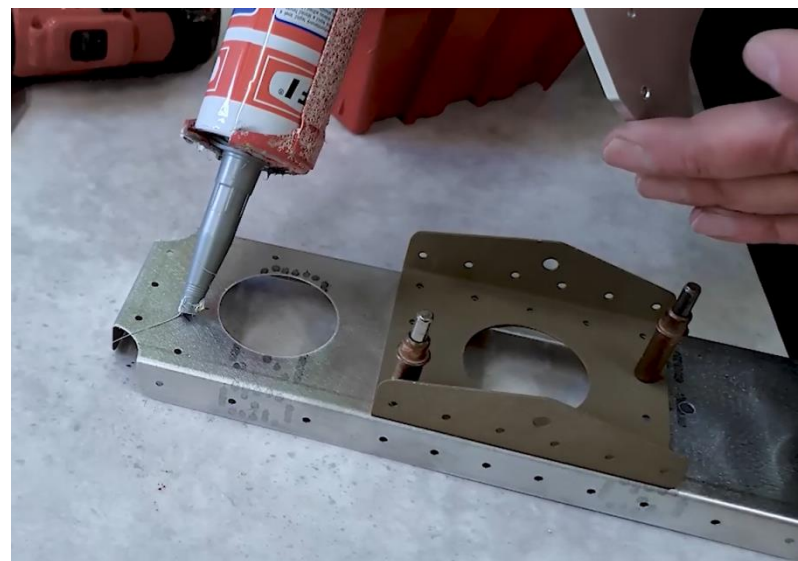
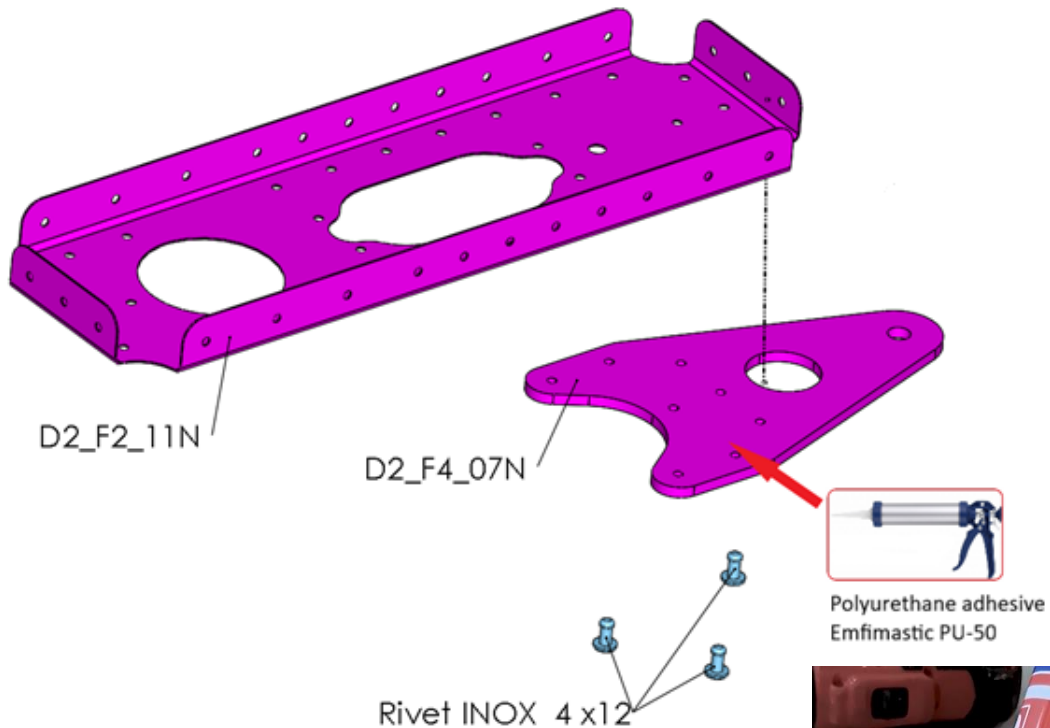
Step 31



Title	Document no.	Revision	Page	Pages
Fuselage assembly manual	D2_F0_00	Rev. 03	51	414



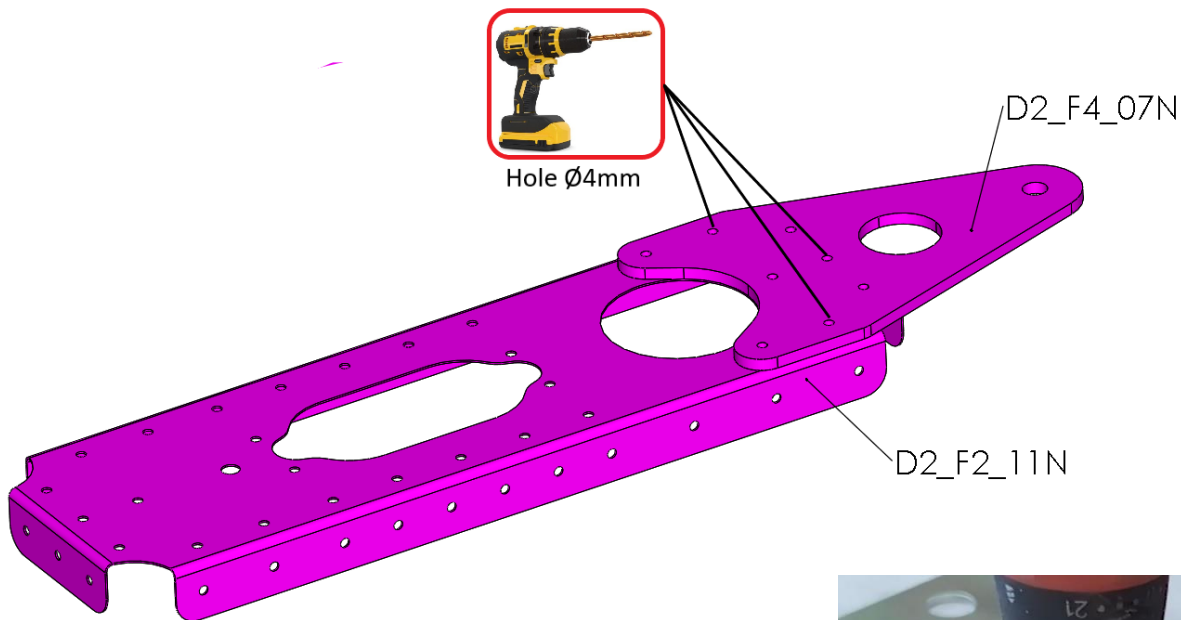
Step 32



Title	Document no.	Revision	Page	Pages
Fuselage assembly manual	D2_F0_00	Rev. 03	52	414



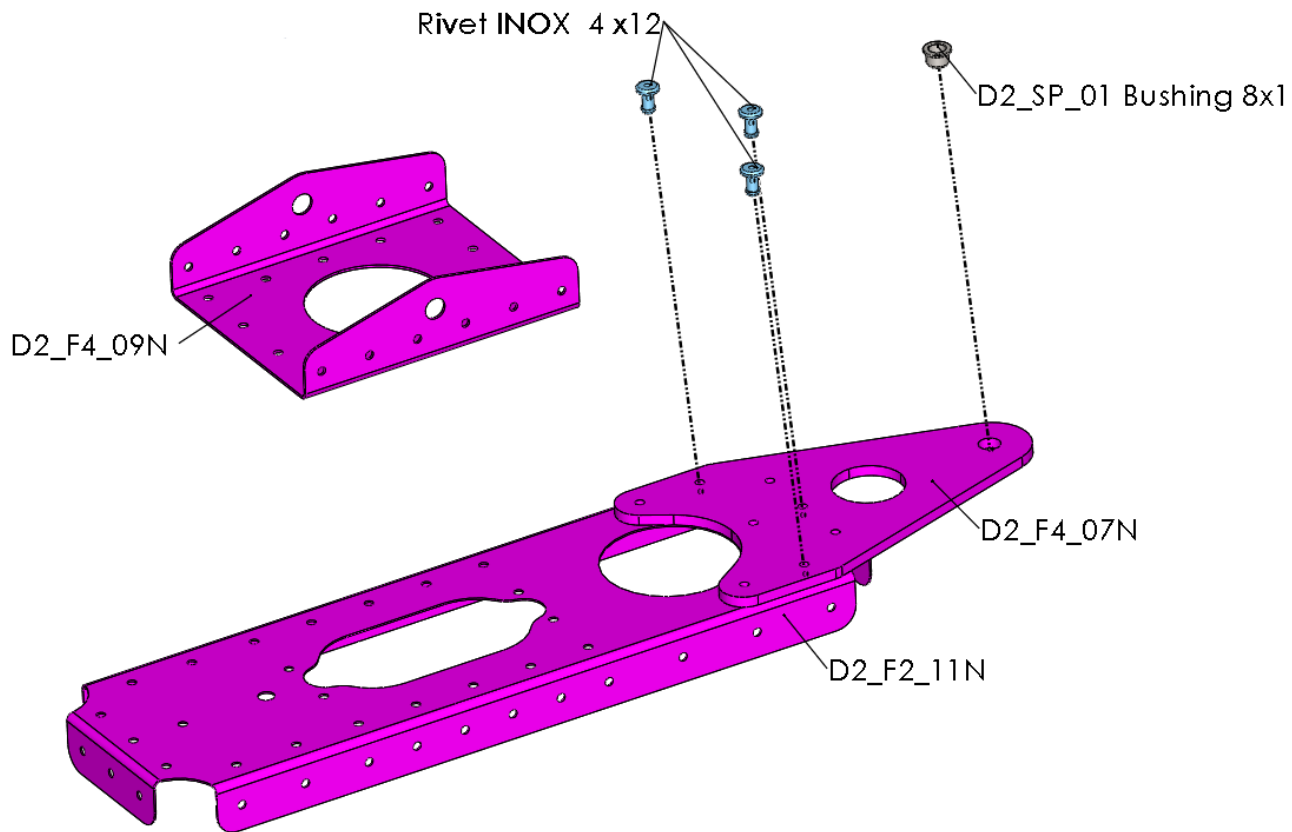
Step 33



Title	Document no.	Revision	Page	Pages
Fuselage assembly manual	D2_F0_00	Rev. 03	53	414



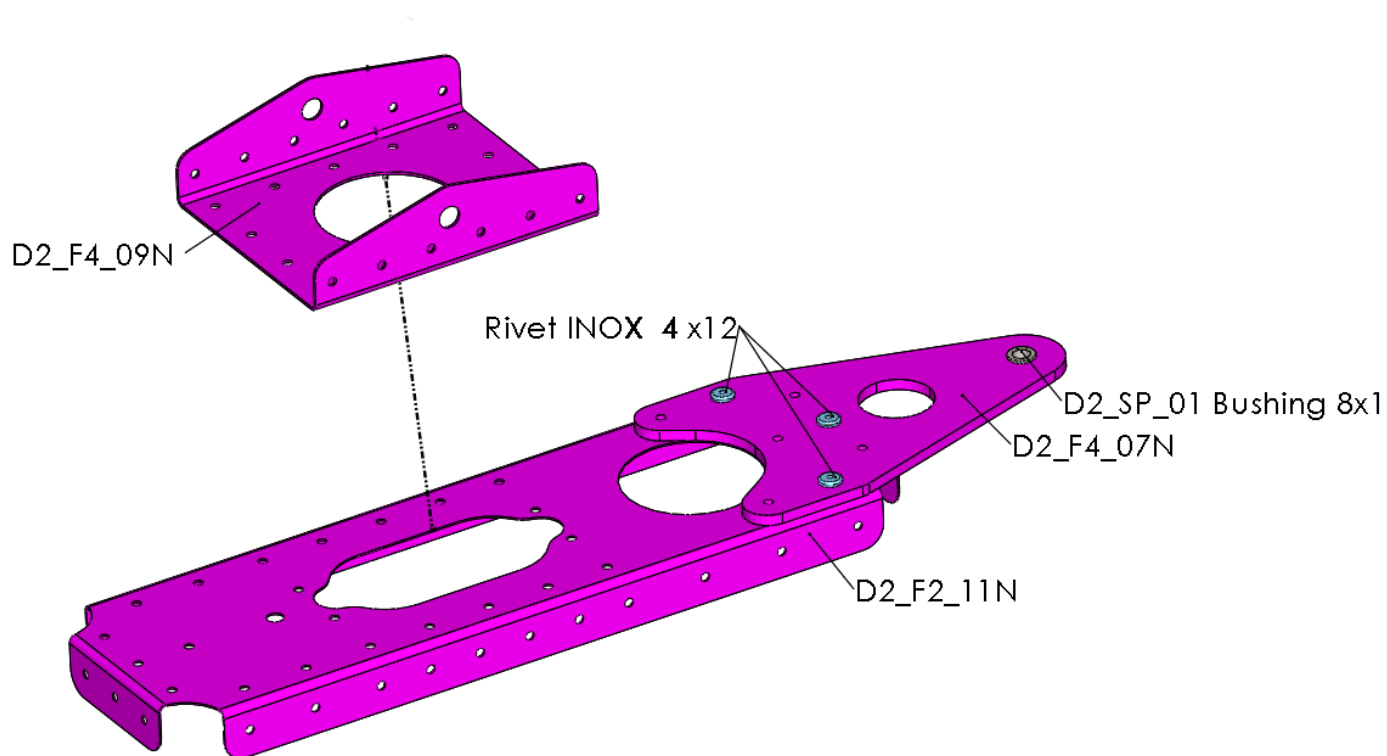
Step 34



Title	Document no.	Revision	Page	Pages
Fuselage assembly manual	D2_F0_00	Rev. 03	54	414



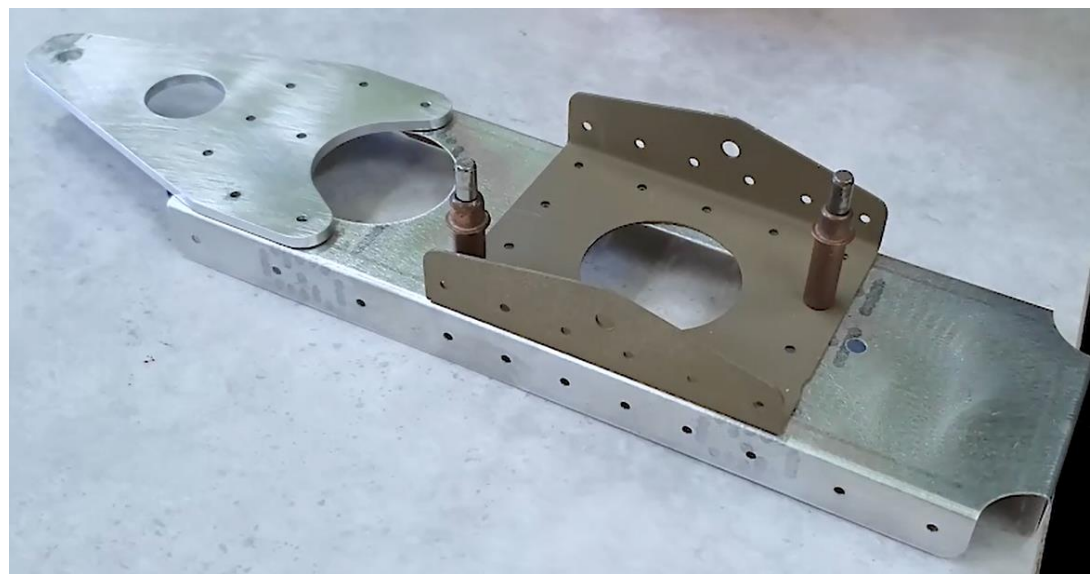
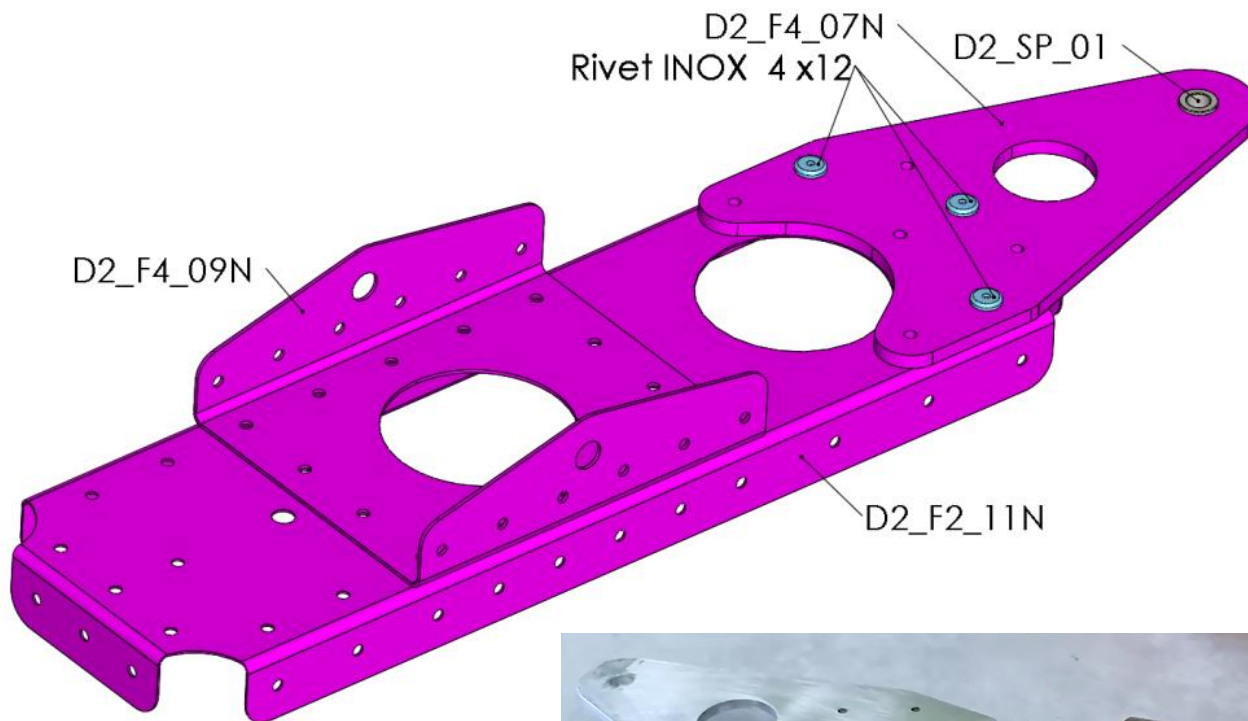
Step 35



Title	Document no.	Revision	Page	Pages
Fuselage assembly manual	D2_F0_00	Rev. 03	55	414



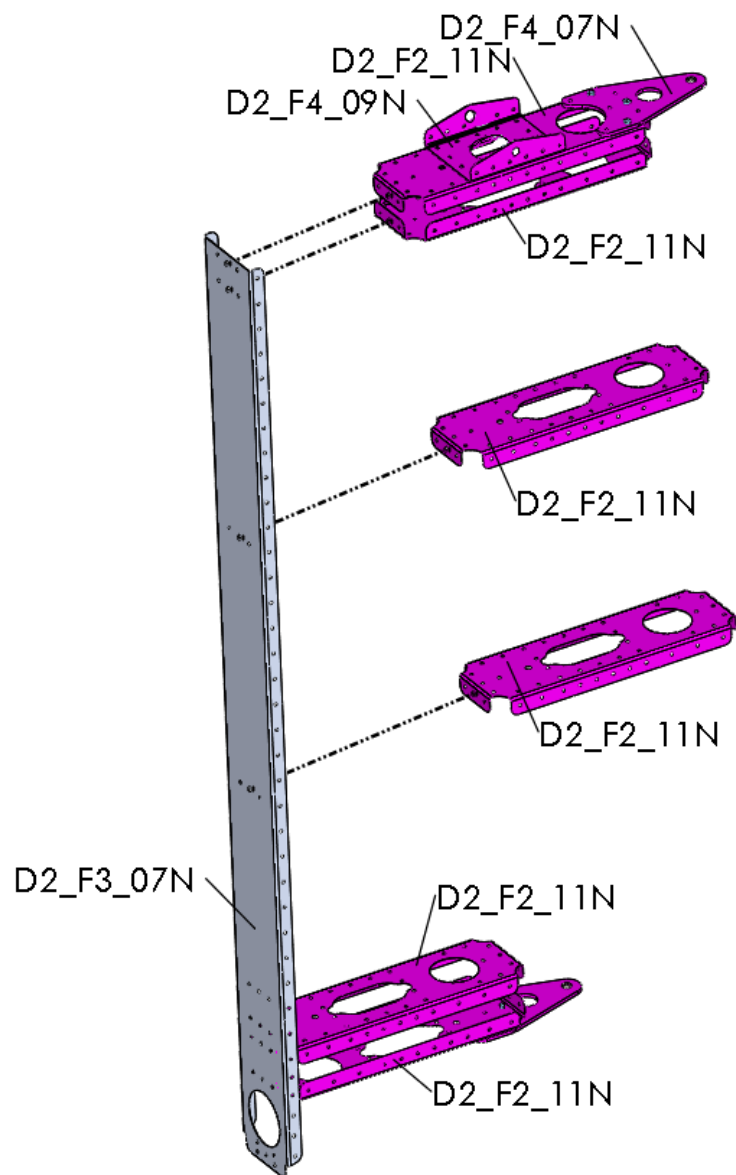
Step 36



Title	Document no.	Revision	Page	Pages
Fuselage assembly manual	D2_F0_00	Rev. 03	56	414



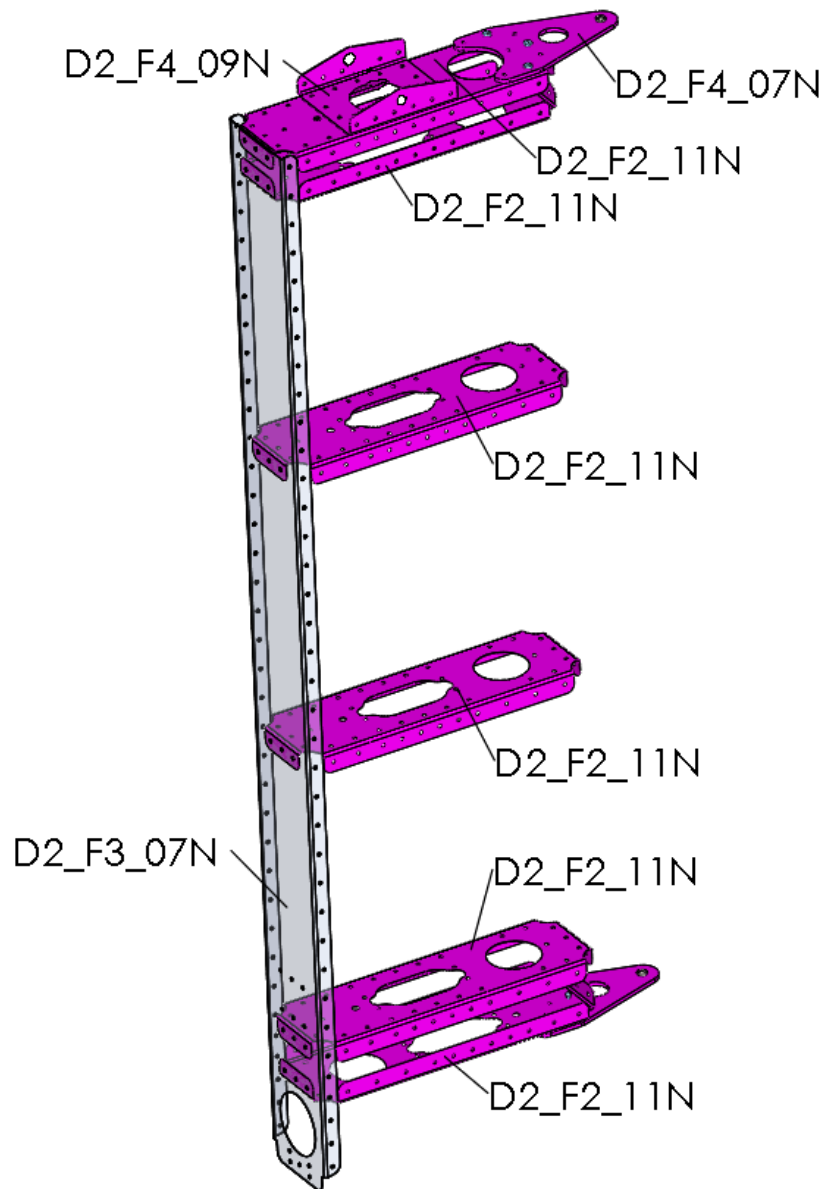
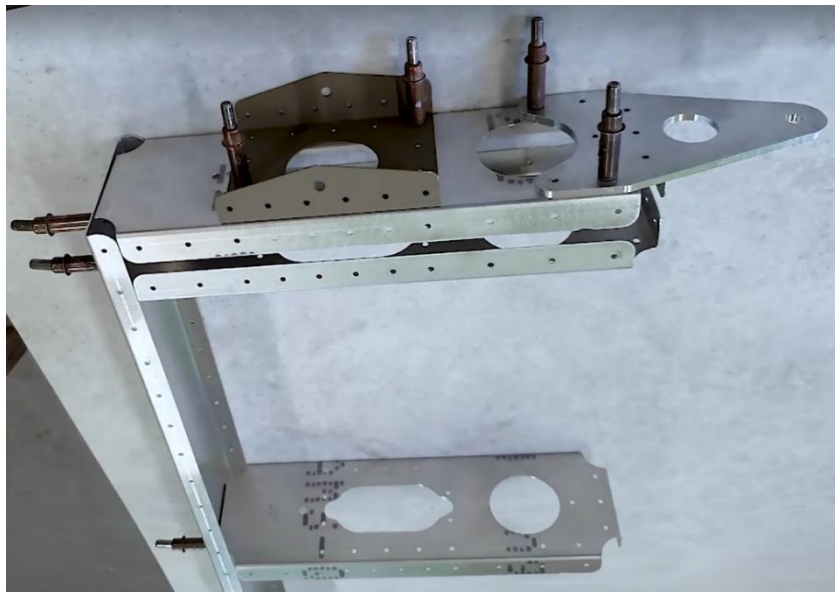
Step 37



Title	Document no.	Revision	Page	Pages
Fuselage assembly manual	D2_F0_00	Rev. 03	57	414



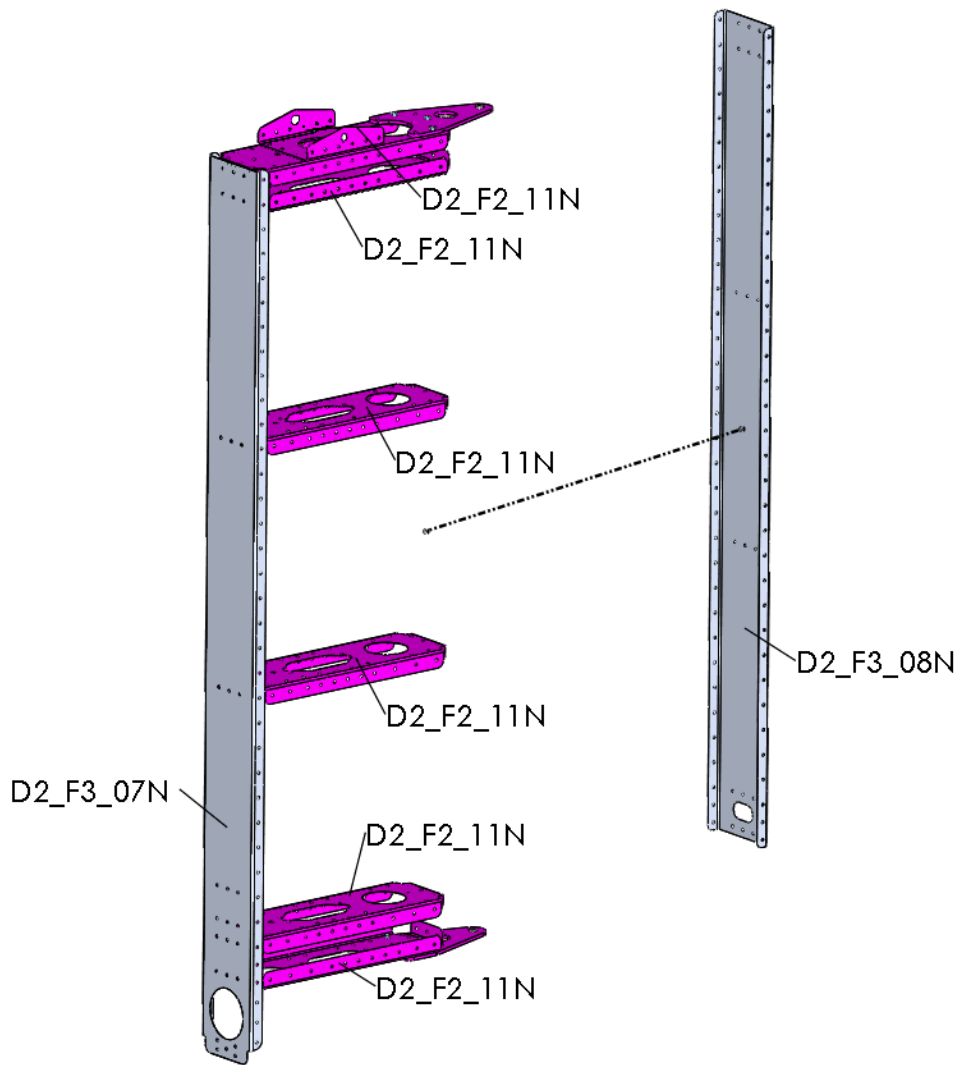
Step 38



Title	Document no.	Revision	Page	Pages
Fuselage assembly manual	D2_F0_00	Rev. 03	58	414



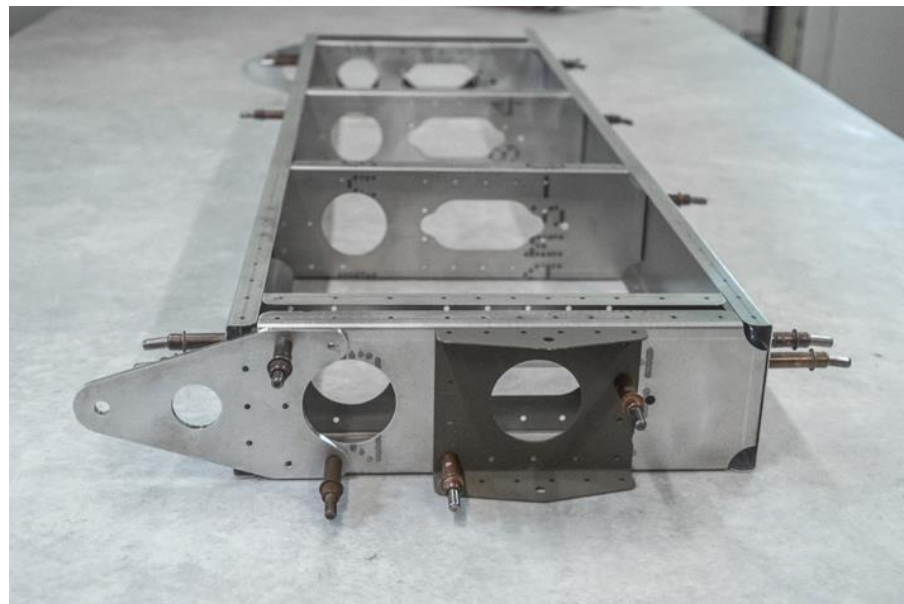
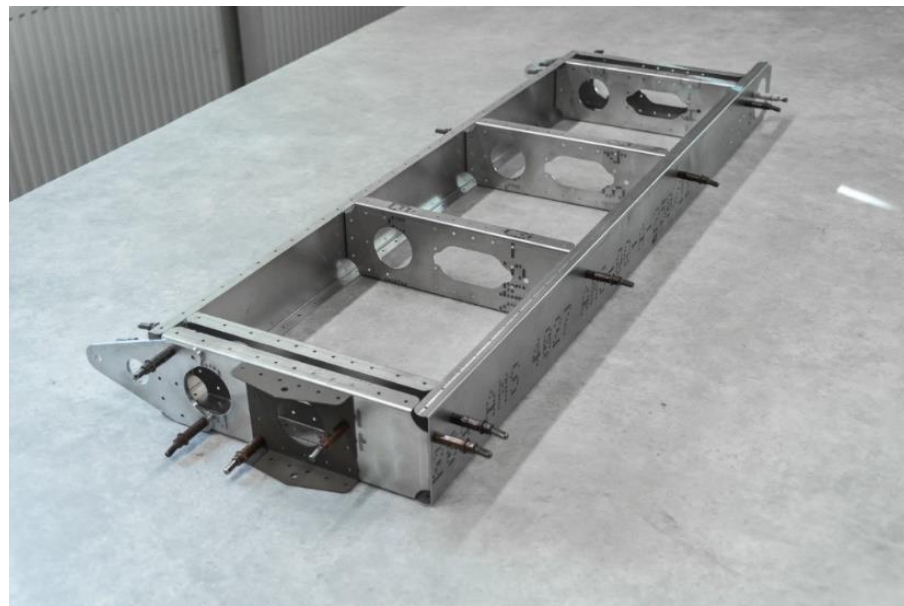
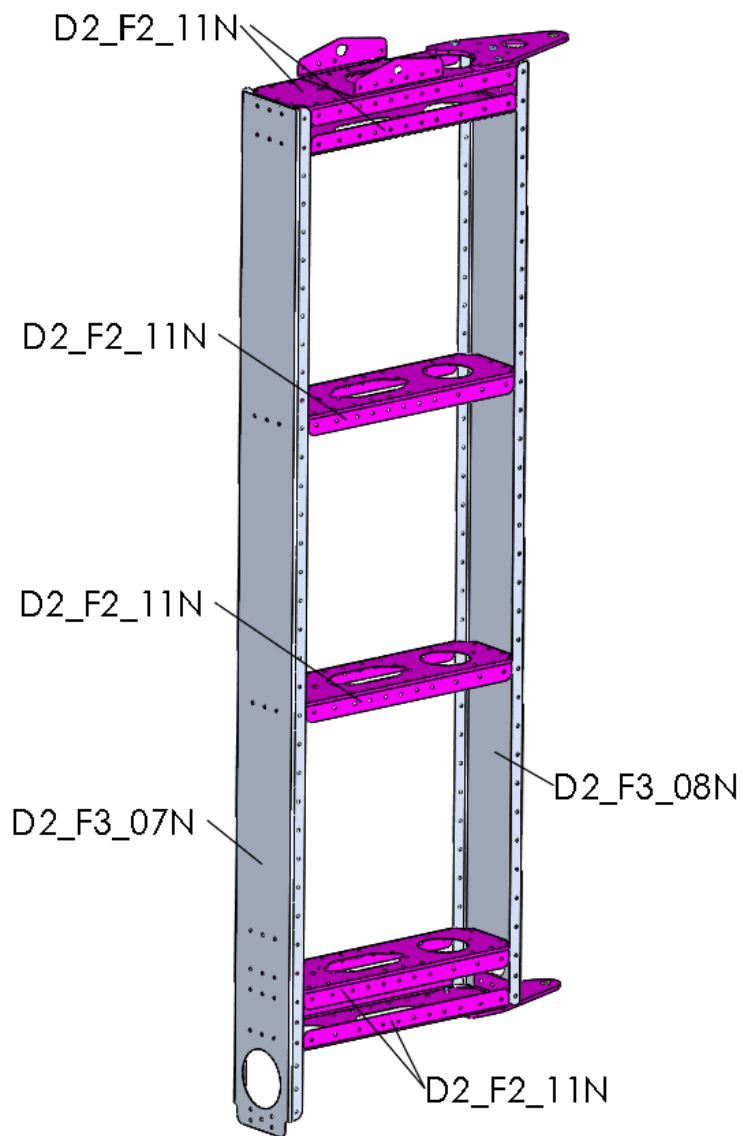
Step 39



Title	Document no.	Revision	Page	Pages
Fuselage assembly manual	D2_F0_00	Rev. 03	59	414



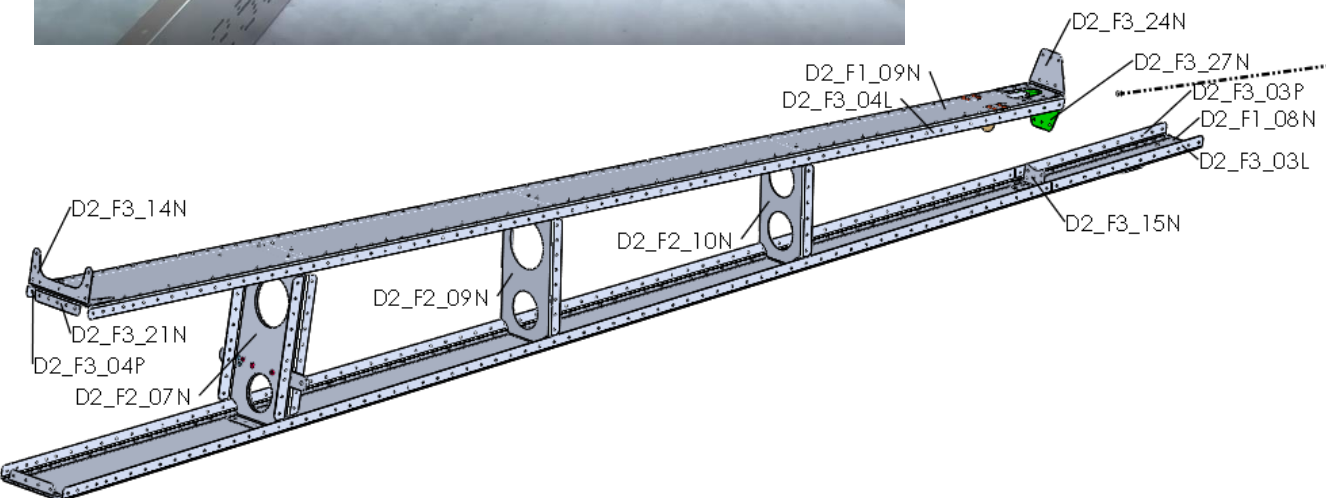
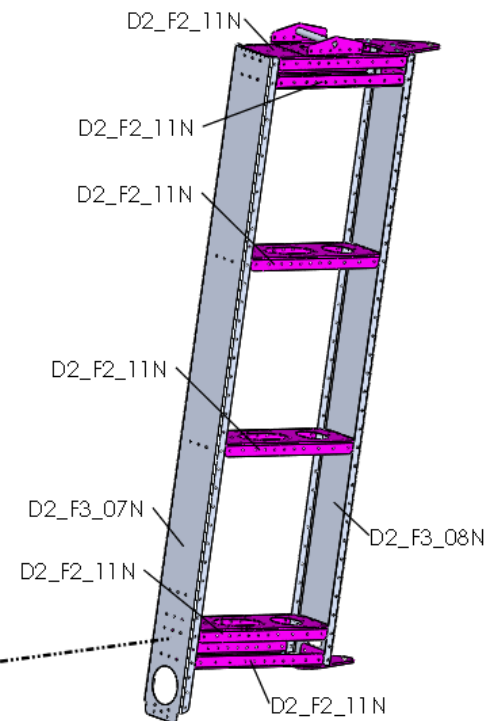
Step 40



Title	Document no.	Revision	Page	Pages
Fuselage assembly manual	D2_F0_00	Rev. 03	60	414



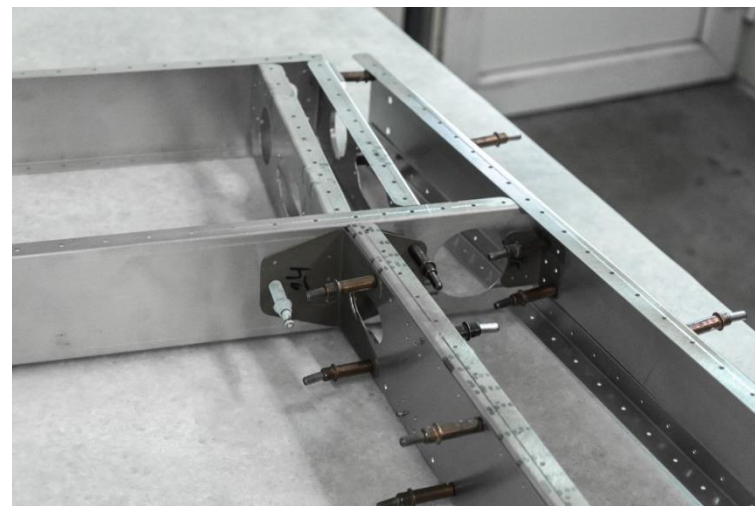
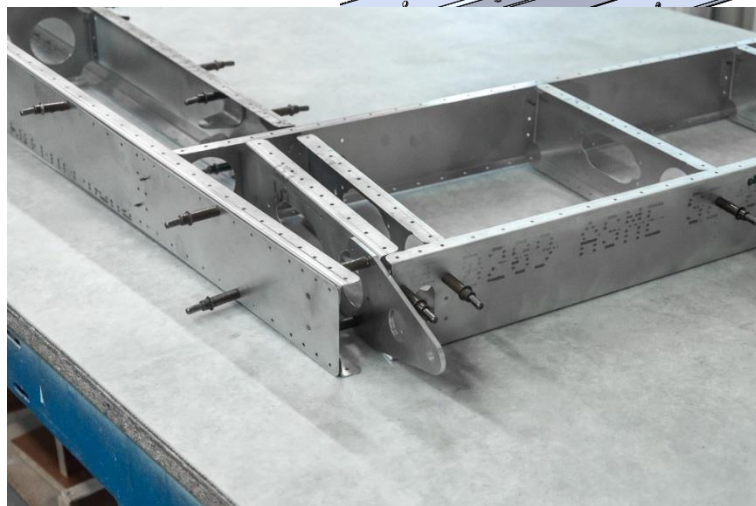
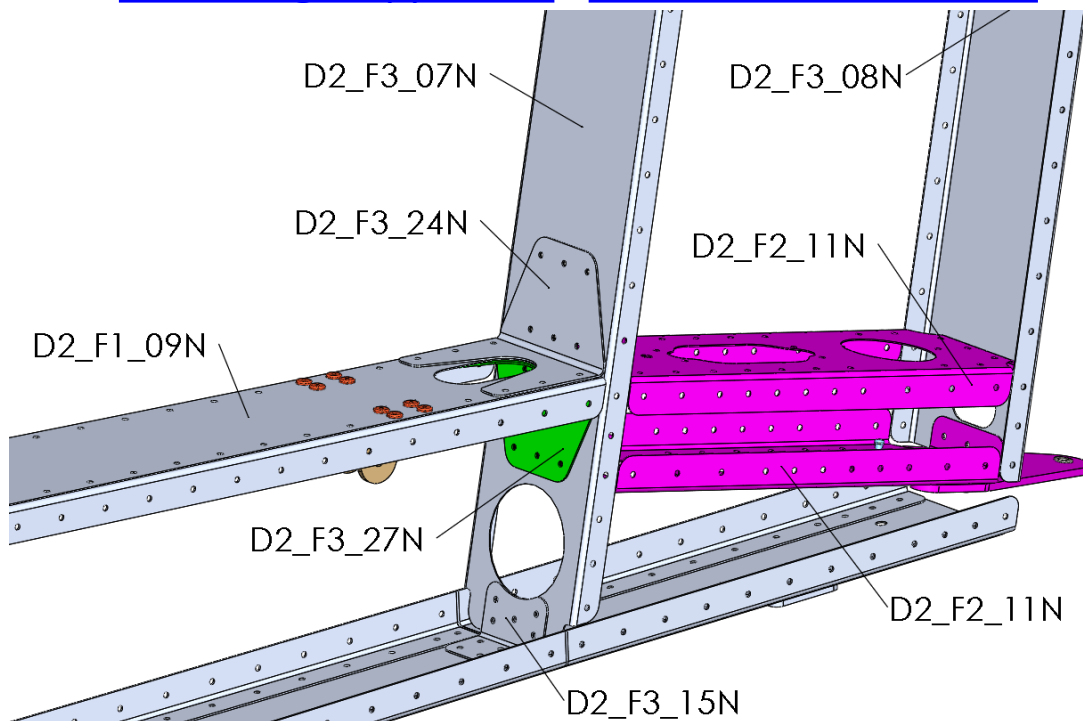
Step 41



Title	Document no.	Revision	Page	Pages
Fuselage assembly manual	D2_F0_00	Rev. 03	61	414



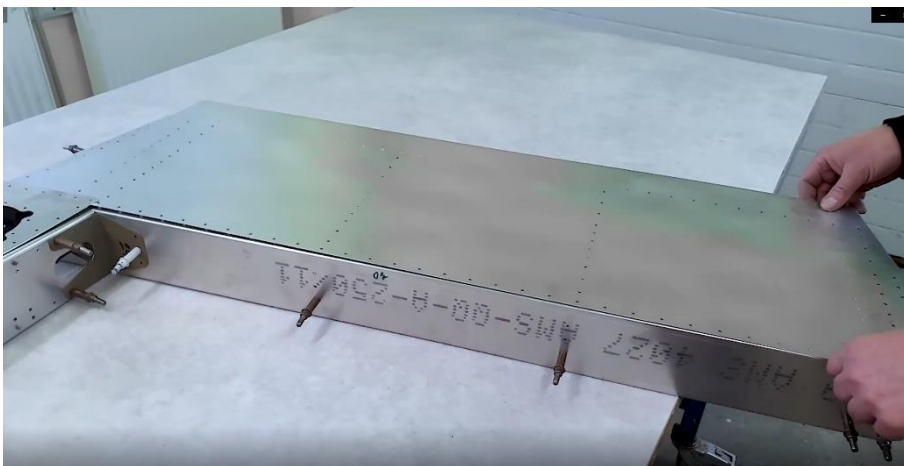
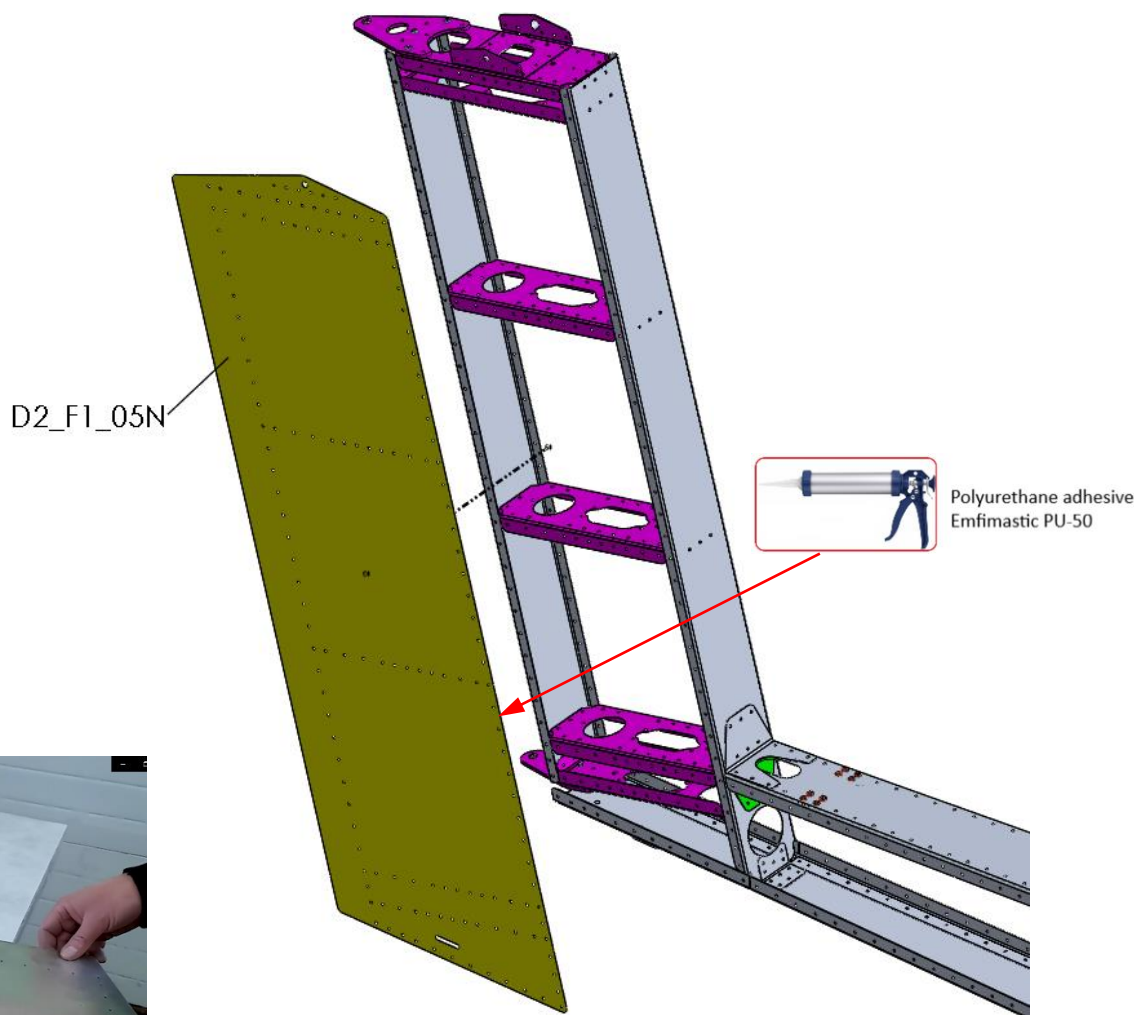
Step 42



Title	Document no.	Revision	Page	Pages
Fuselage assembly manual	D2_F0_00	Rev. 03	62	414



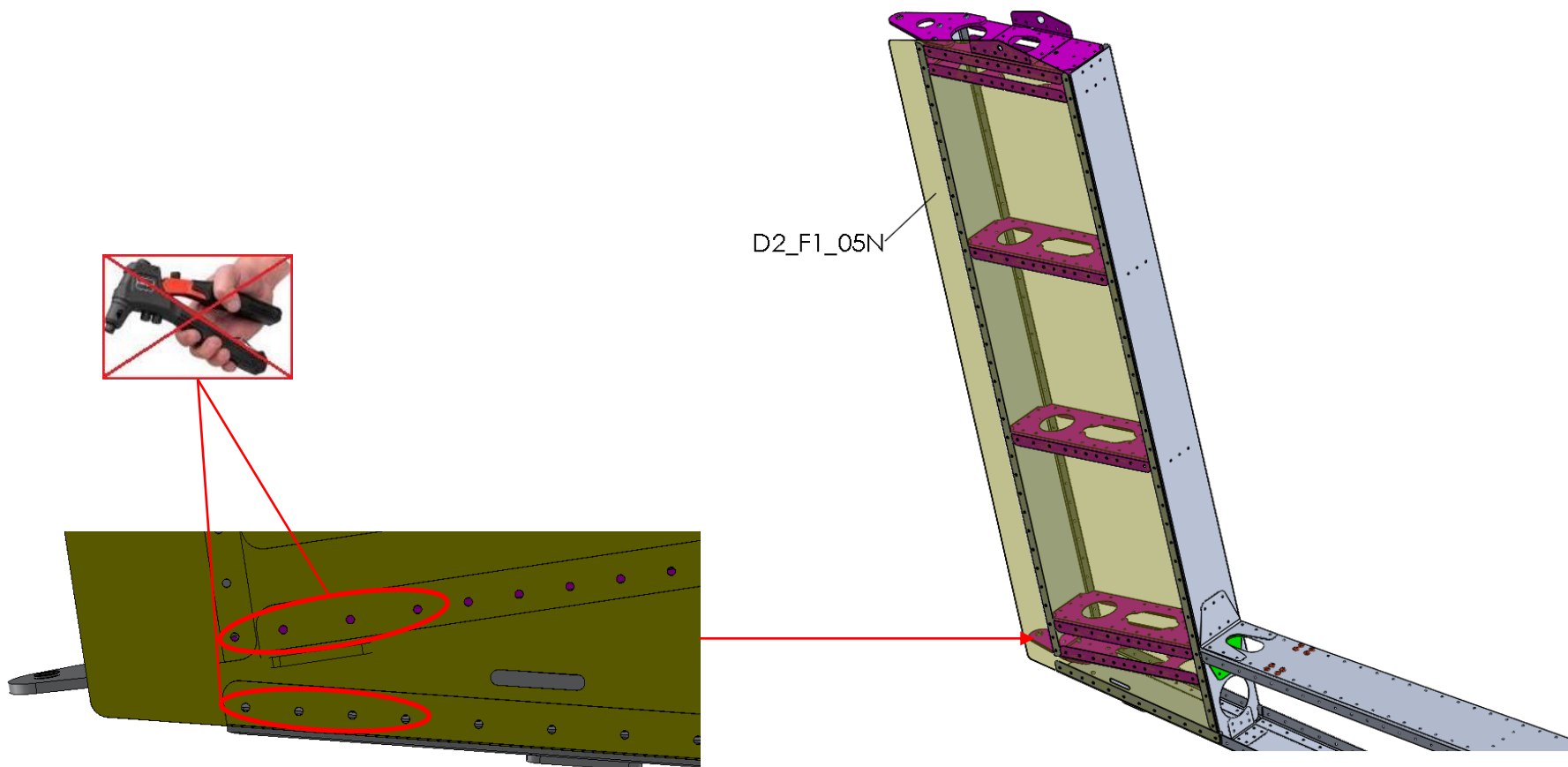
Step 43



Title	Document no.	Revision	Page	Pages
Fuselage assembly manual	D2_F0_00	Rev. 03	63	414



Step 44



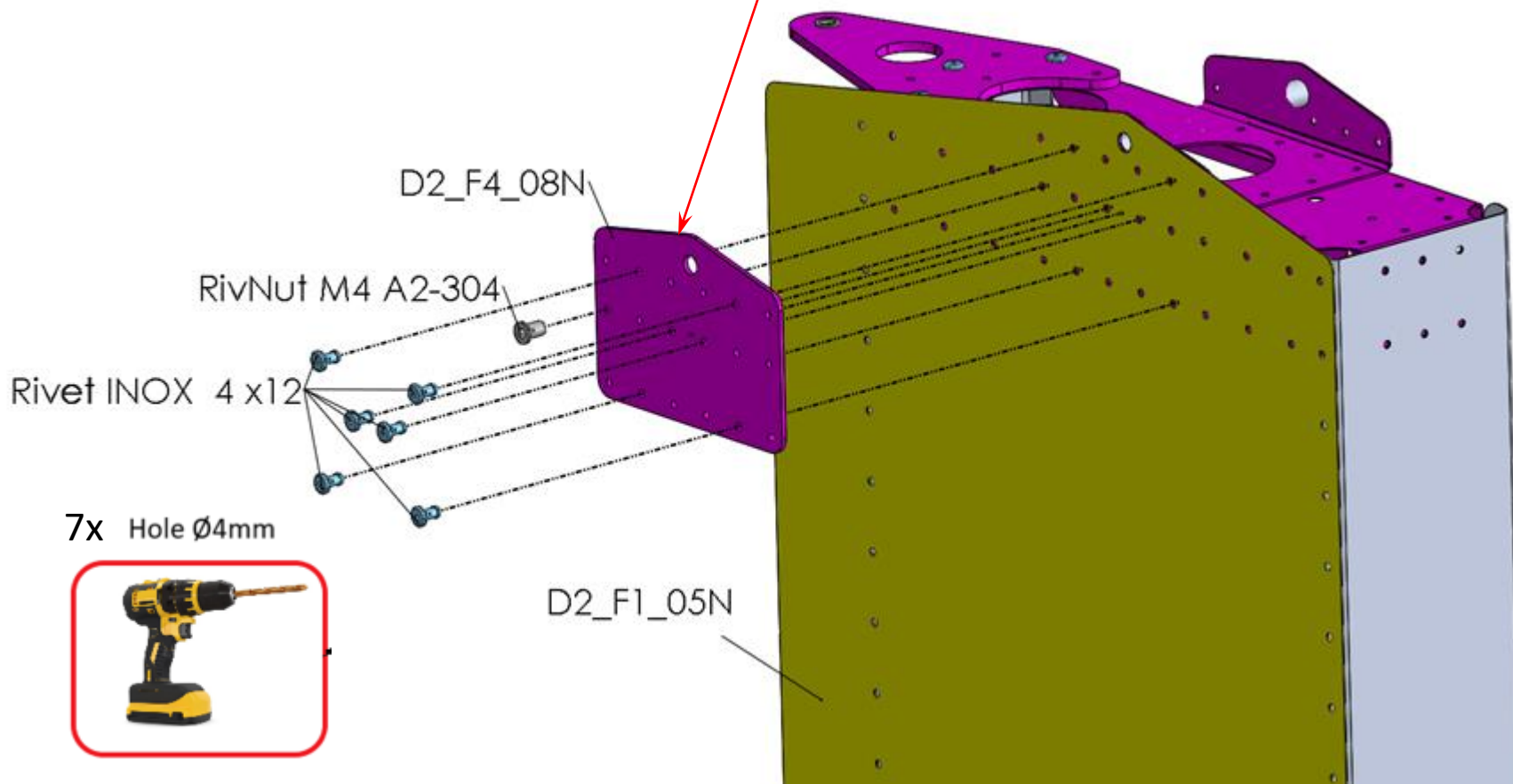
Title	Document no.	Revision	Page	Pages
Fuselage assembly manual	D2_F0_00	Rev. 03	64	414



Step 45



Polyurethane adhesive
Emfimastic PU-50



Title	Document no.	Revision	Page	Pages
Fuselage assembly manual	D2_F0_00	Rev. 03	65	414



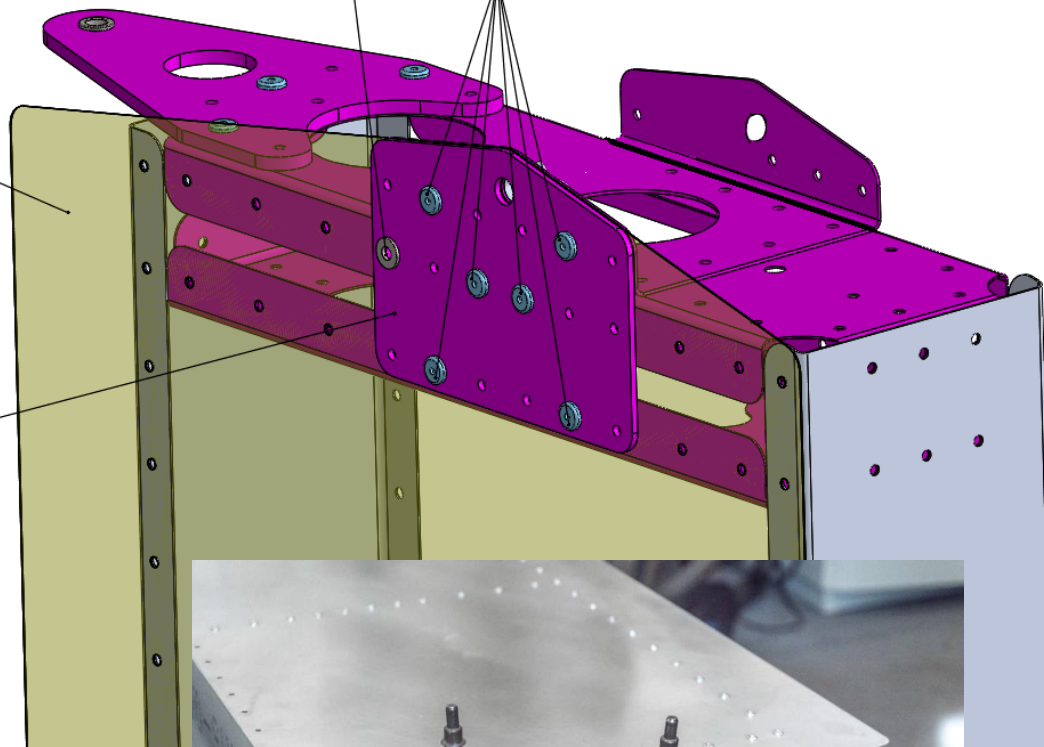
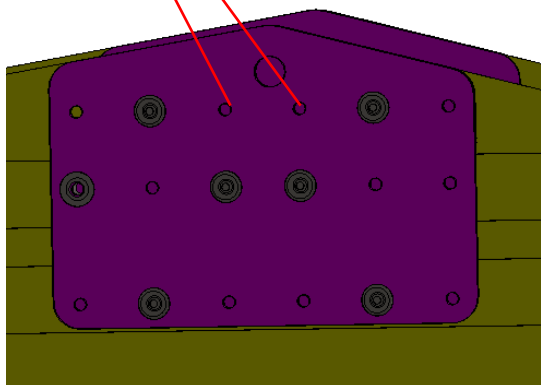
Step 46

RivNut M4 A2-304

Rivet INOX 4 x12

D2_F1_05N

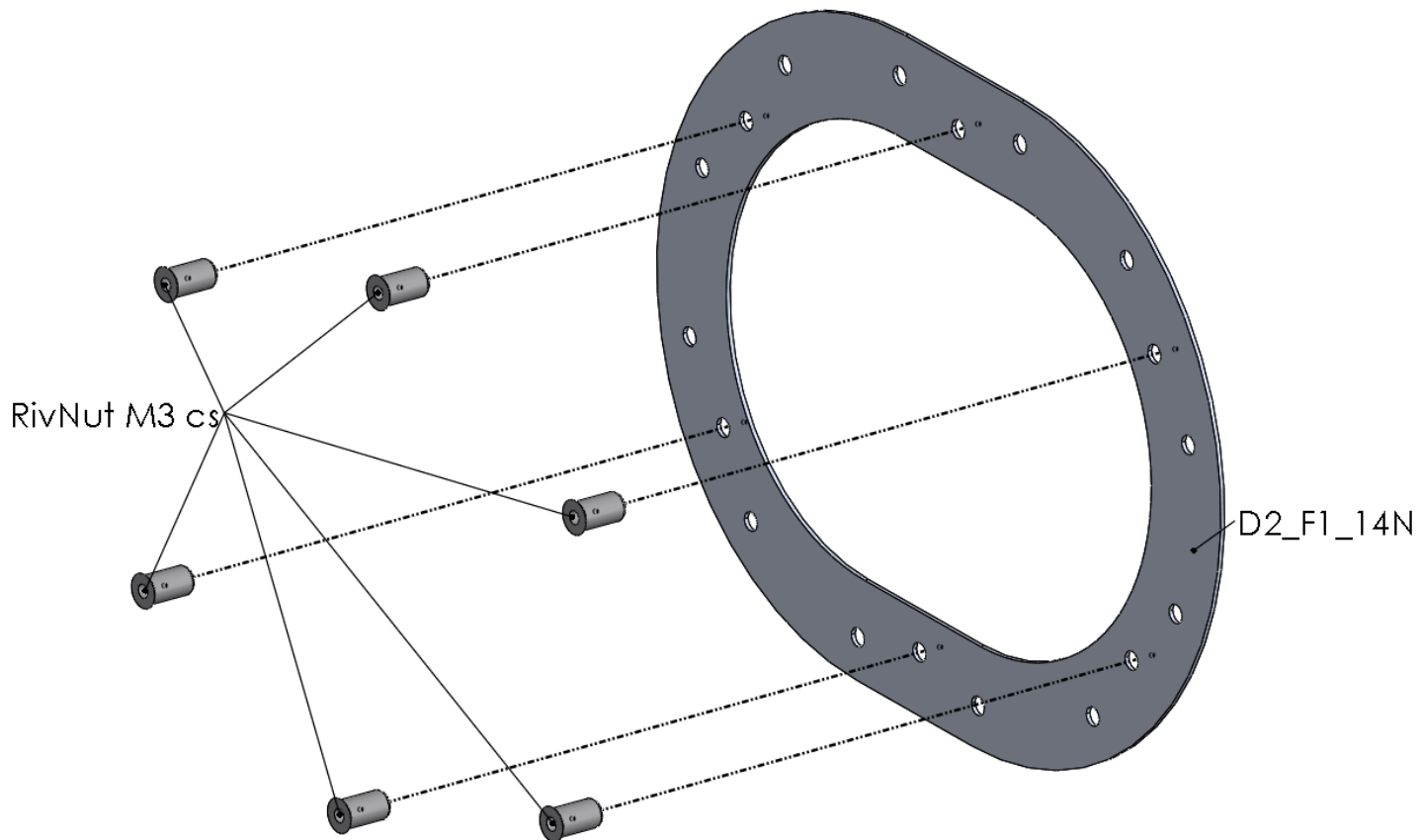
D2_F4_08N



Title	Document no.	Revision	Page	Pages
Fuselage assembly manual	D2_F0_00	Rev. 03	66	414



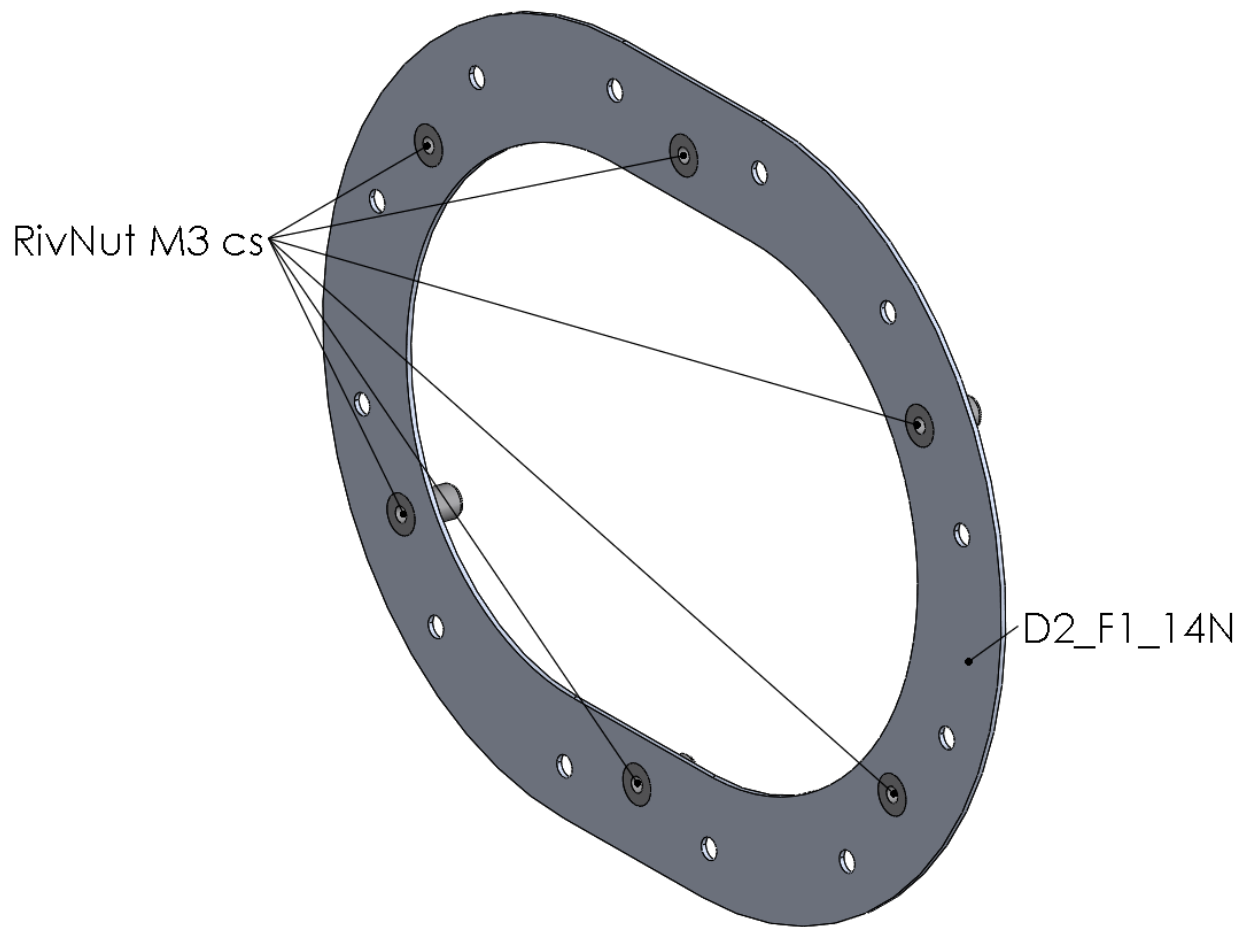
Step 47



Title	Document no.	Revision	Page	Pages
Fuselage assembly manual	D2_F0_00	Rev. 03	67	414



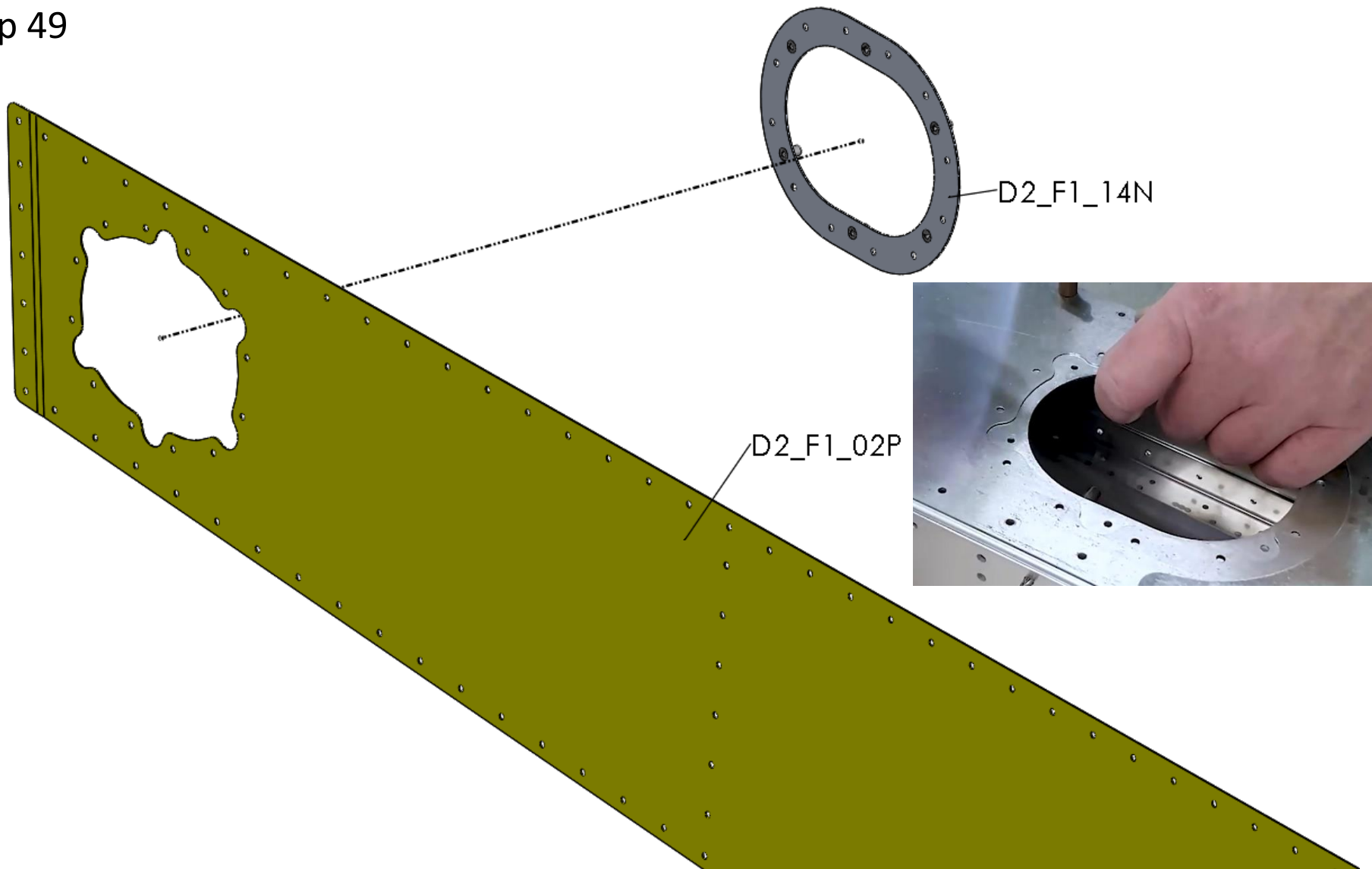
Step 48



Title	Document no.	Revision	Page	Pages
Fuselage assembly manual	D2_F0_00	Rev. 03	68	414



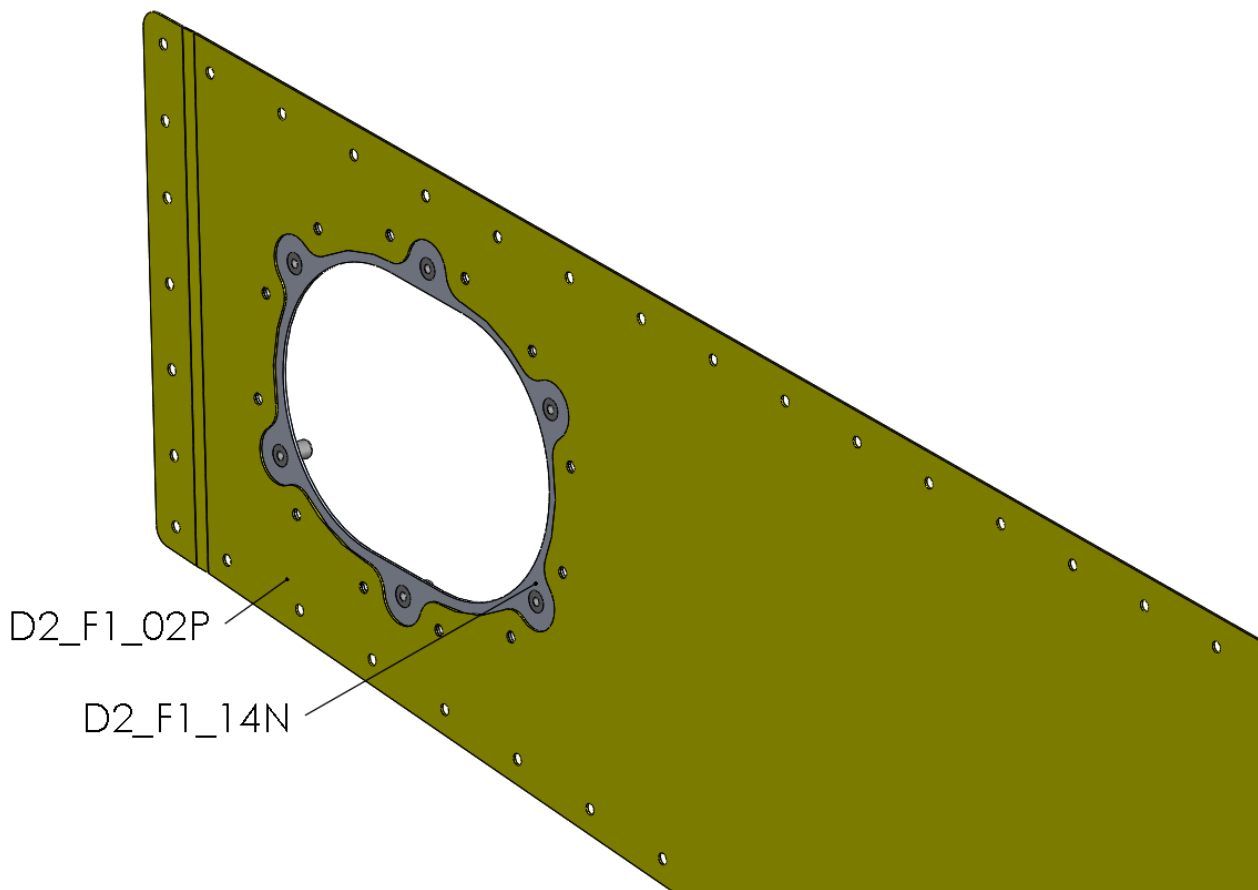
Step 49



Title	Document no.	Revision	Page	Pages
Fuselage assembly manual	D2_F0_00	Rev. 03	69	414



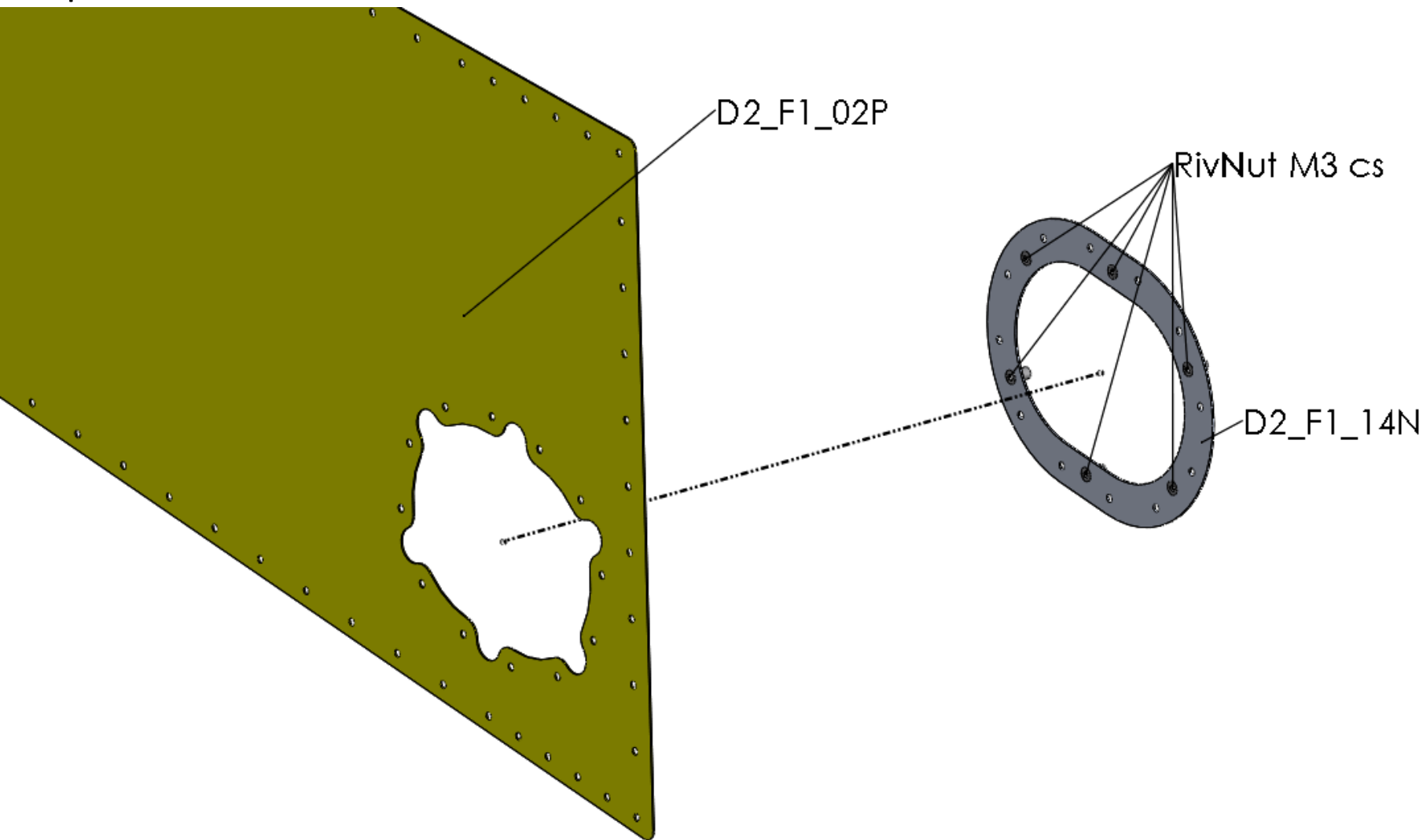
Step 50



Title	Document no.	Revision	Page	Pages
Fuselage assembly manual	D2_F0_00	Rev. 03	70	414



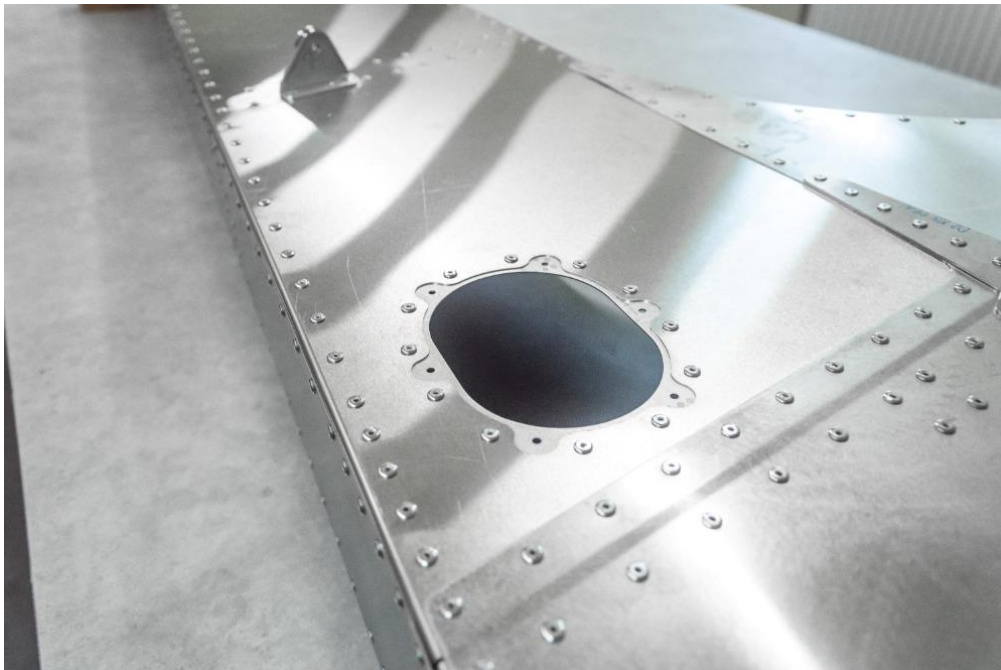
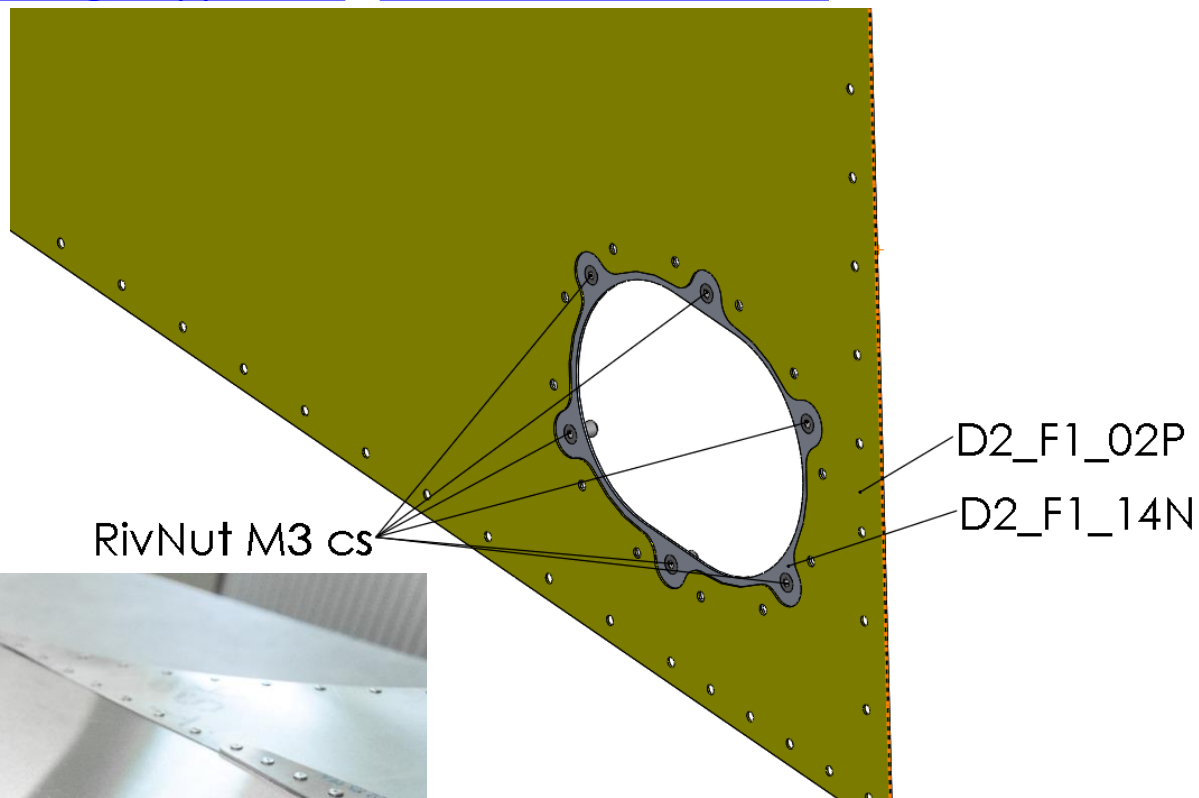
Step 51



Title	Document no.	Revision	Page	Pages
Fuselage assembly manual	D2_F0_00	Rev. 03	71	414



Step 52



Title	Document no.	Revision	Page	Pages
Fuselage assembly manual	D2_F0_00	Rev. 03	72	414



Step 53



Polyurethane adhesive
Emfimastic PU-50

D2_F1_14N

D2_F1_02P

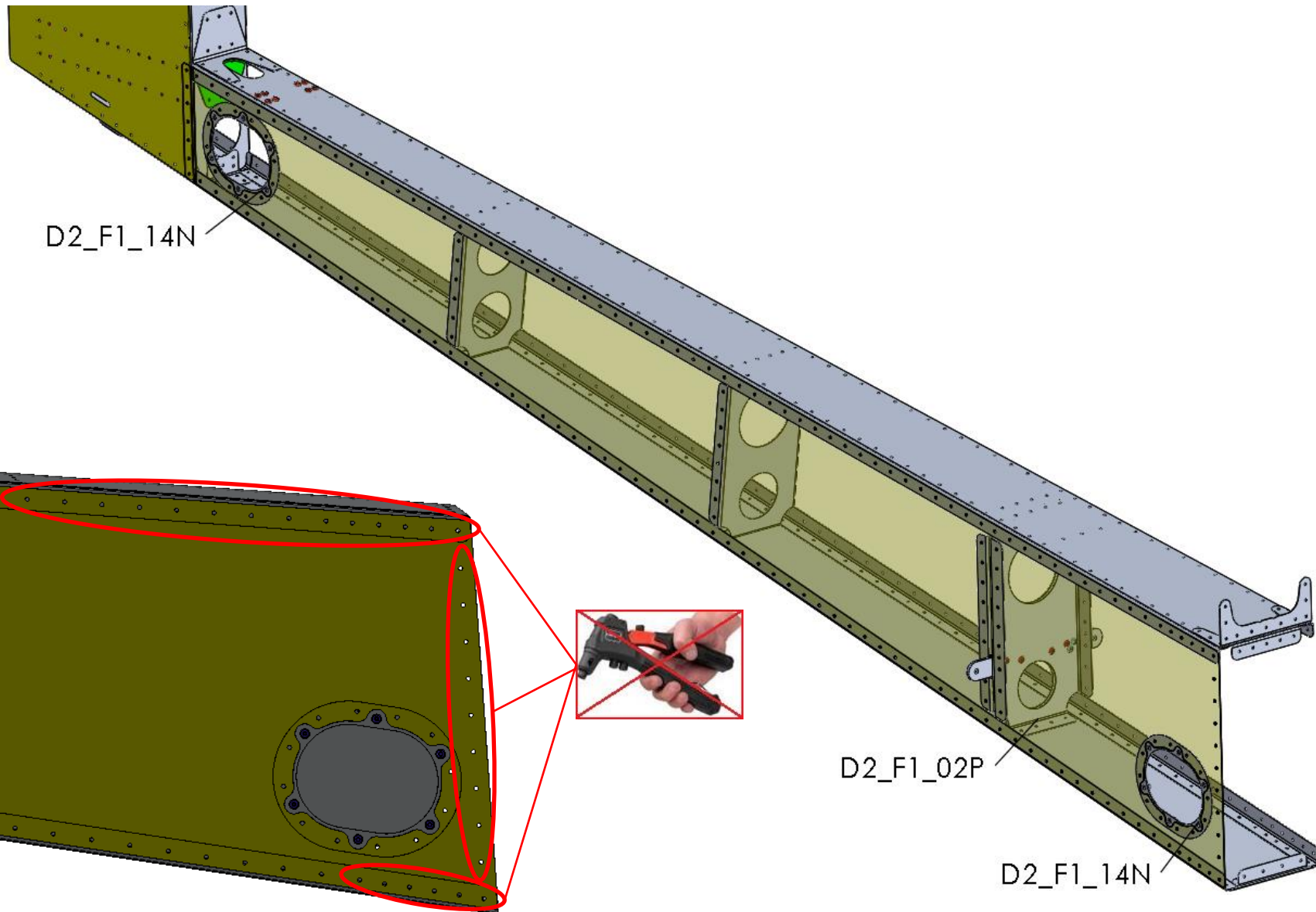
D2_F1_14N



Title	Document no.	Revision	Page	Pages
Fuselage assembly manual	D2_F0_00	Rev. 03	73	414



Step 54



D2_F1_14N

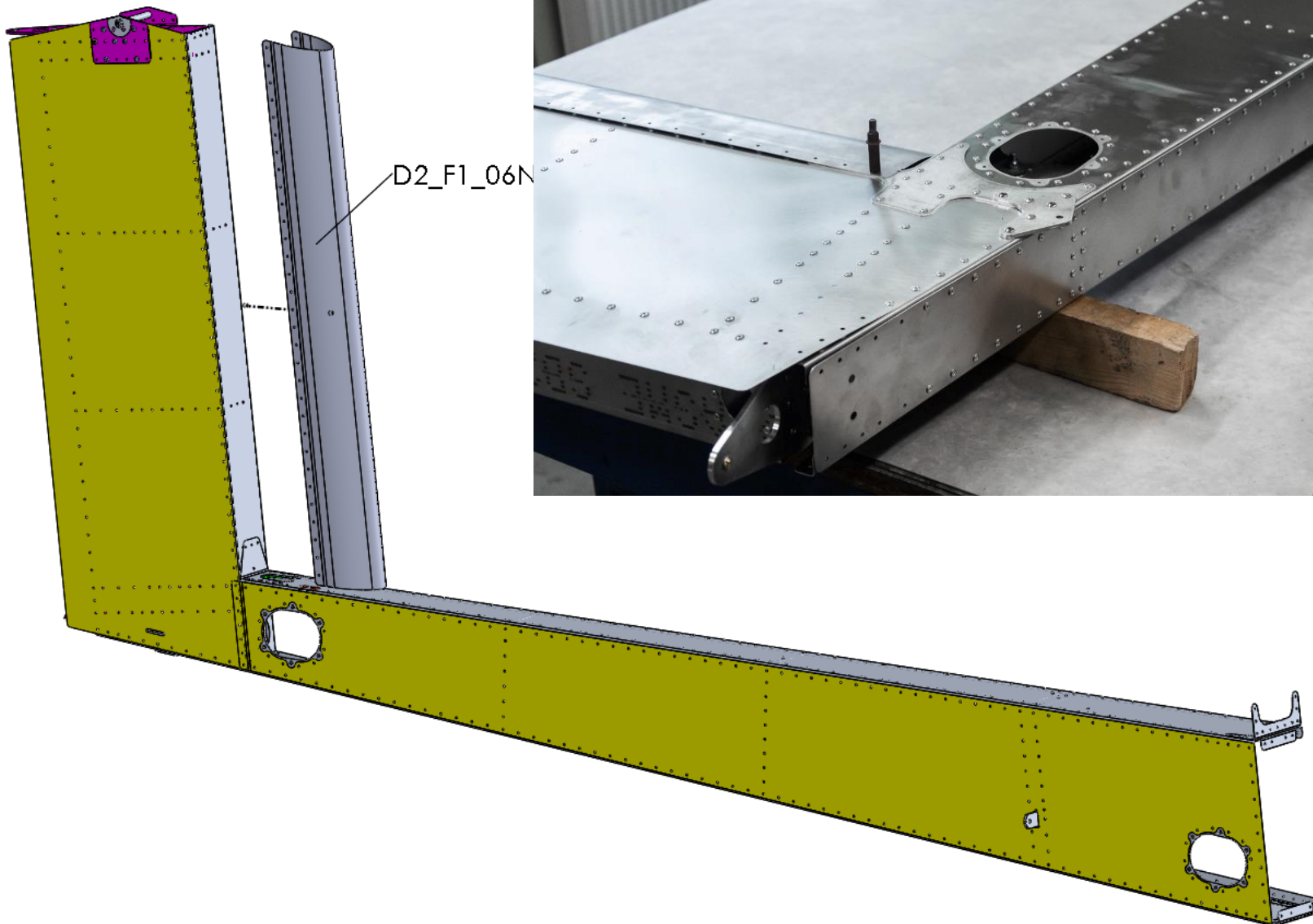
D2_F1_02P

D2_F1_14N

Title	Document no.	Revision	Page	Pages
Fuselage assembly manual	D2_F0_00	Rev. 03	74	414



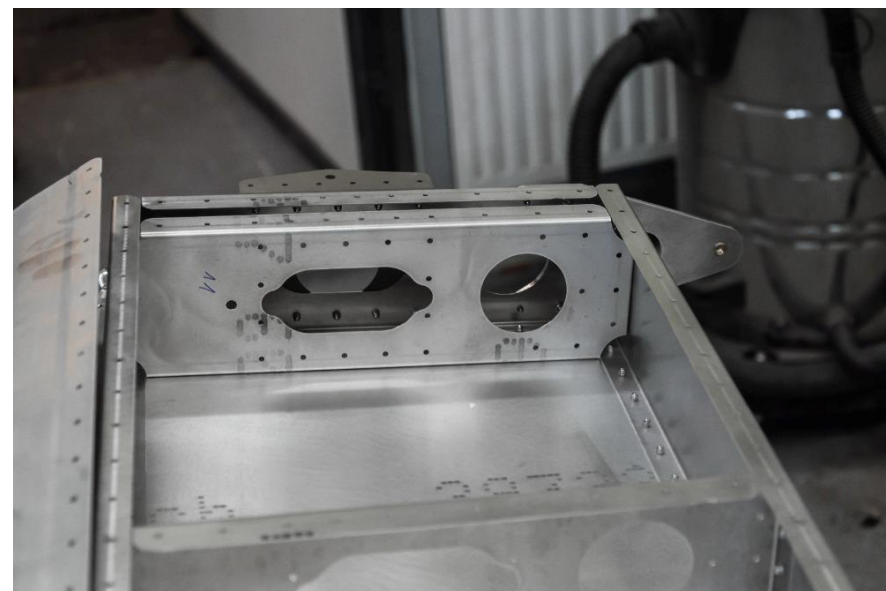
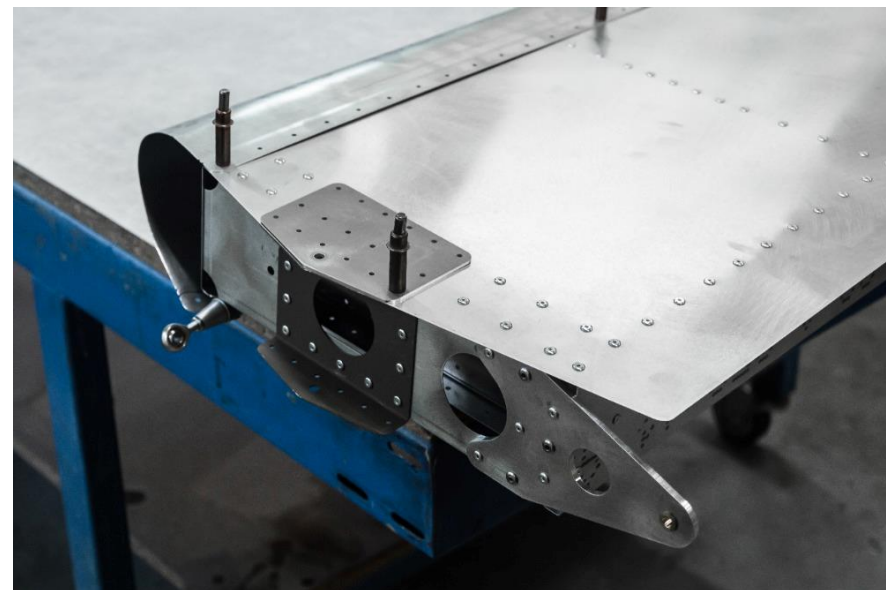
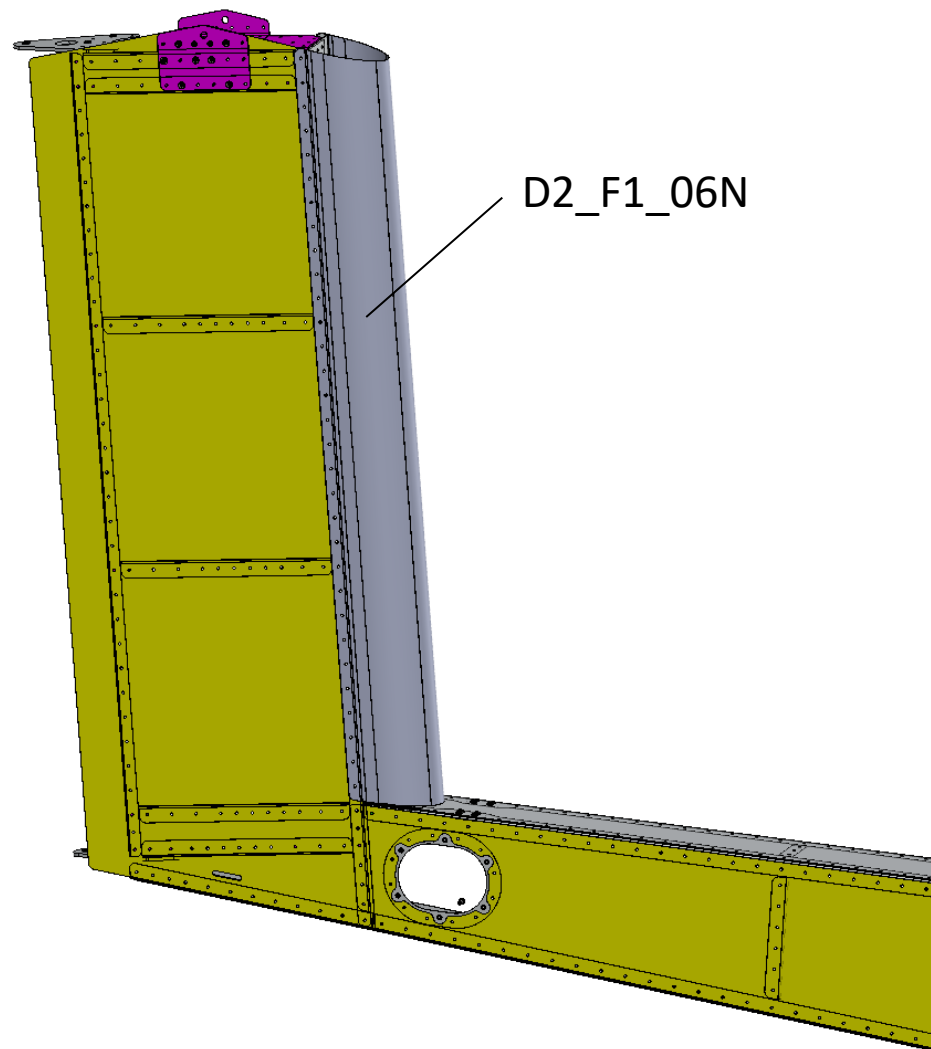
Step 55



Title	Document no.	Revision	Page	Pages
Fuselage assembly manual	D2_F0_00	Rev. 03	75	414



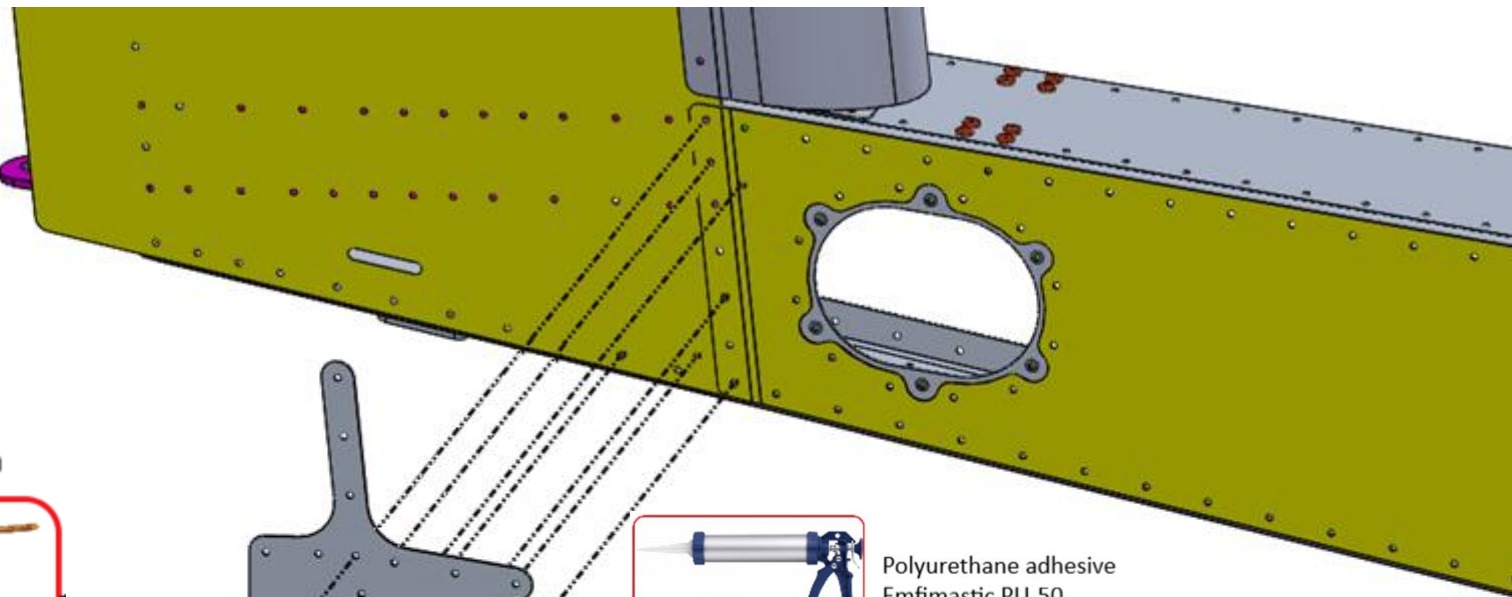
Step 56



Title	Document no.	Revision	Page	Pages
Fuselage assembly manual	D2_F0_00	Rev. 03	76	414



Step 57



Hole Ø4mm

5x

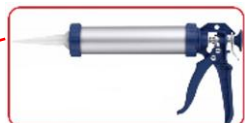


Polyurethane adhesive
Emfimastic PU-50

Rivet INOX 4 x10

D2_F1_27N

D2_F1_26N



Polyurethane adhesive
Emfimastic PU-50

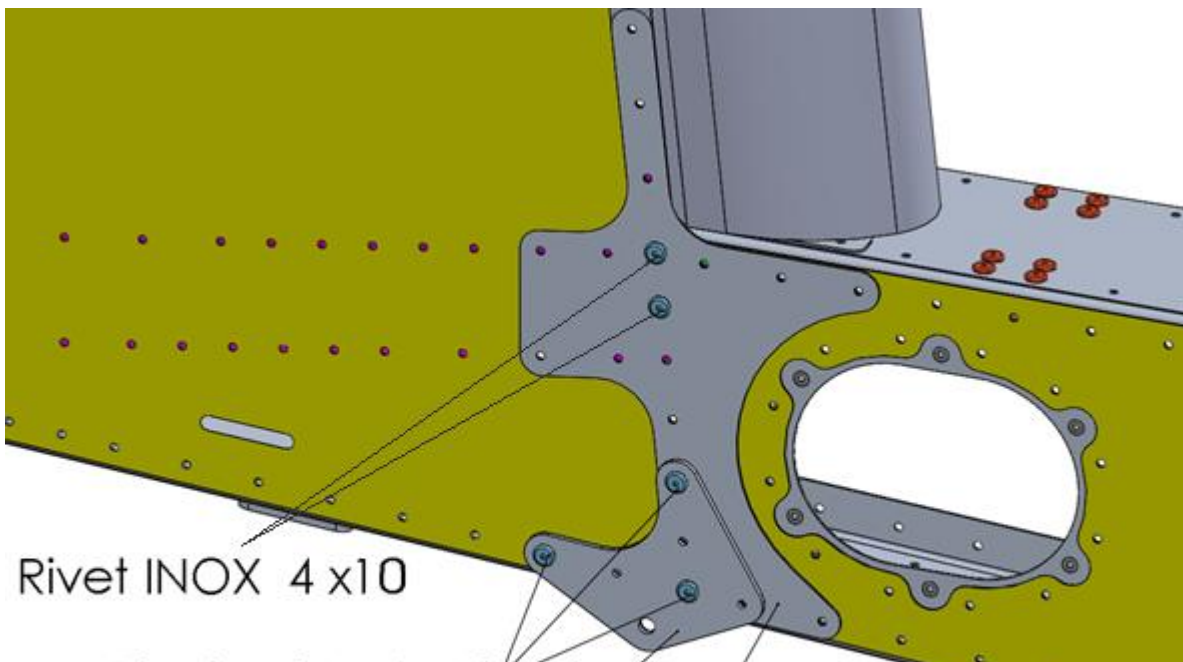
Rivet INOX 4 x12



Title	Document no.	Revision	Page	Pages
Fuselage assembly manual	D2_F0_00	Rev. 03	77	414



Step 58



Rivet INOX 4 x10

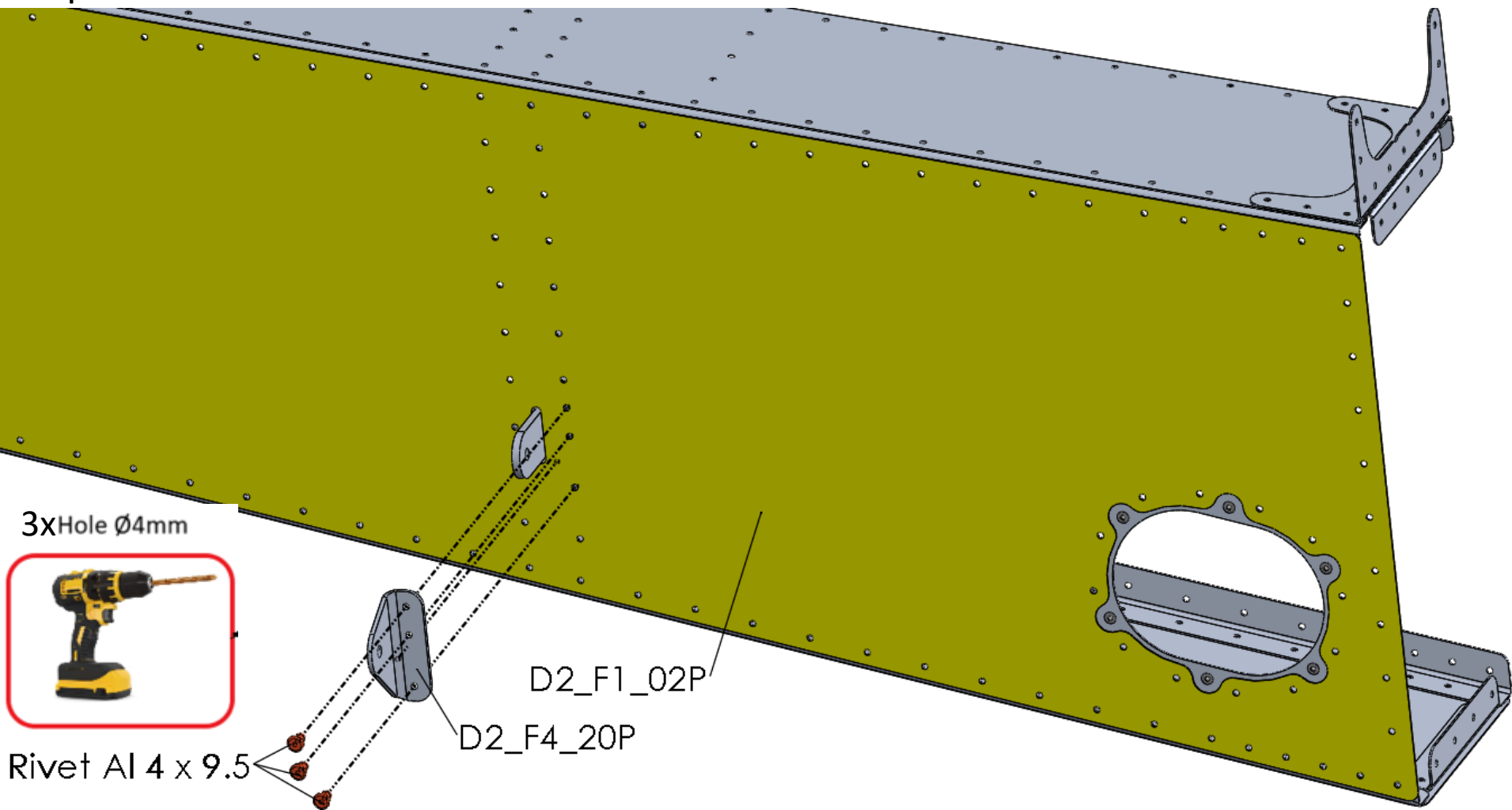
Rivet INOX 4 x12
D2_F1_26N
D2_F1_27N



Title	Document no.	Revision	Page	Pages
Fuselage assembly manual	D2_F0_00	Rev. 03	78	414



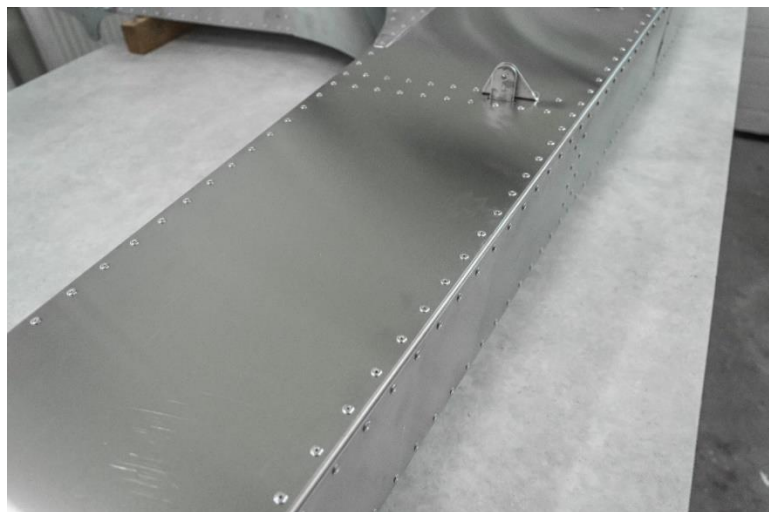
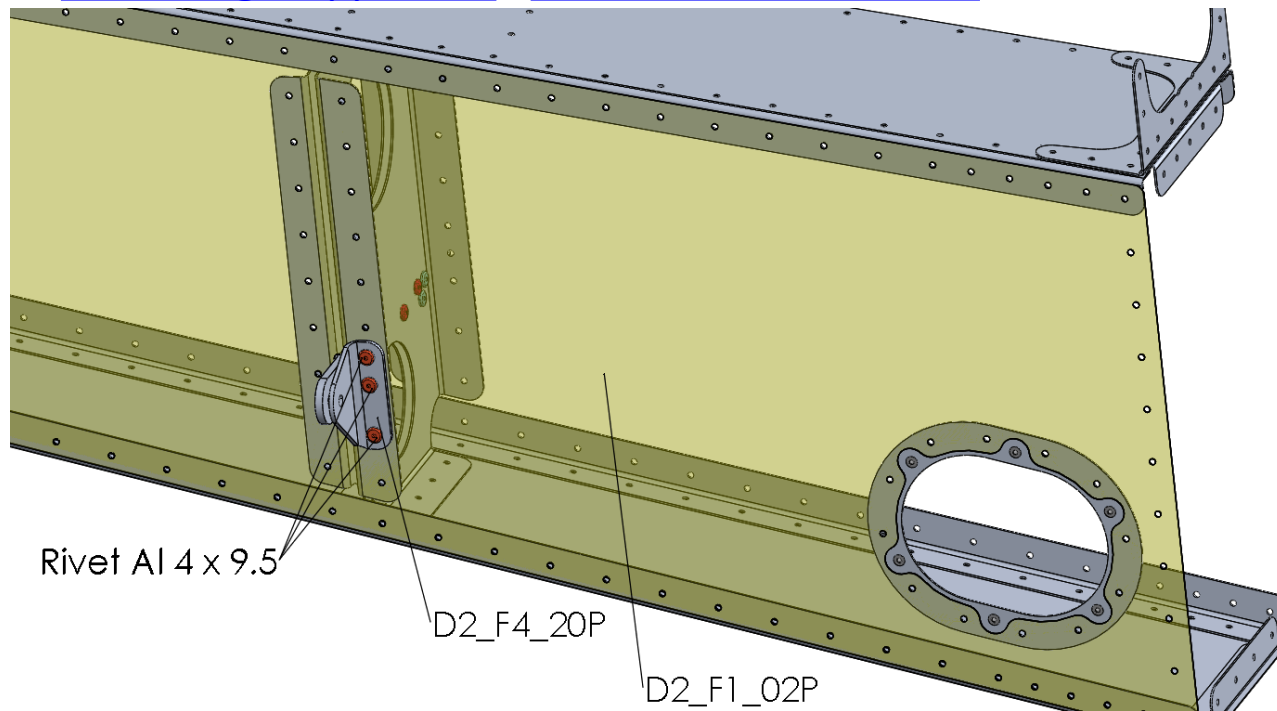
Step 59



Title	Document no.	Revision	Page	Pages
Fuselage assembly manual	D2_F0_00	Rev. 03	79	414



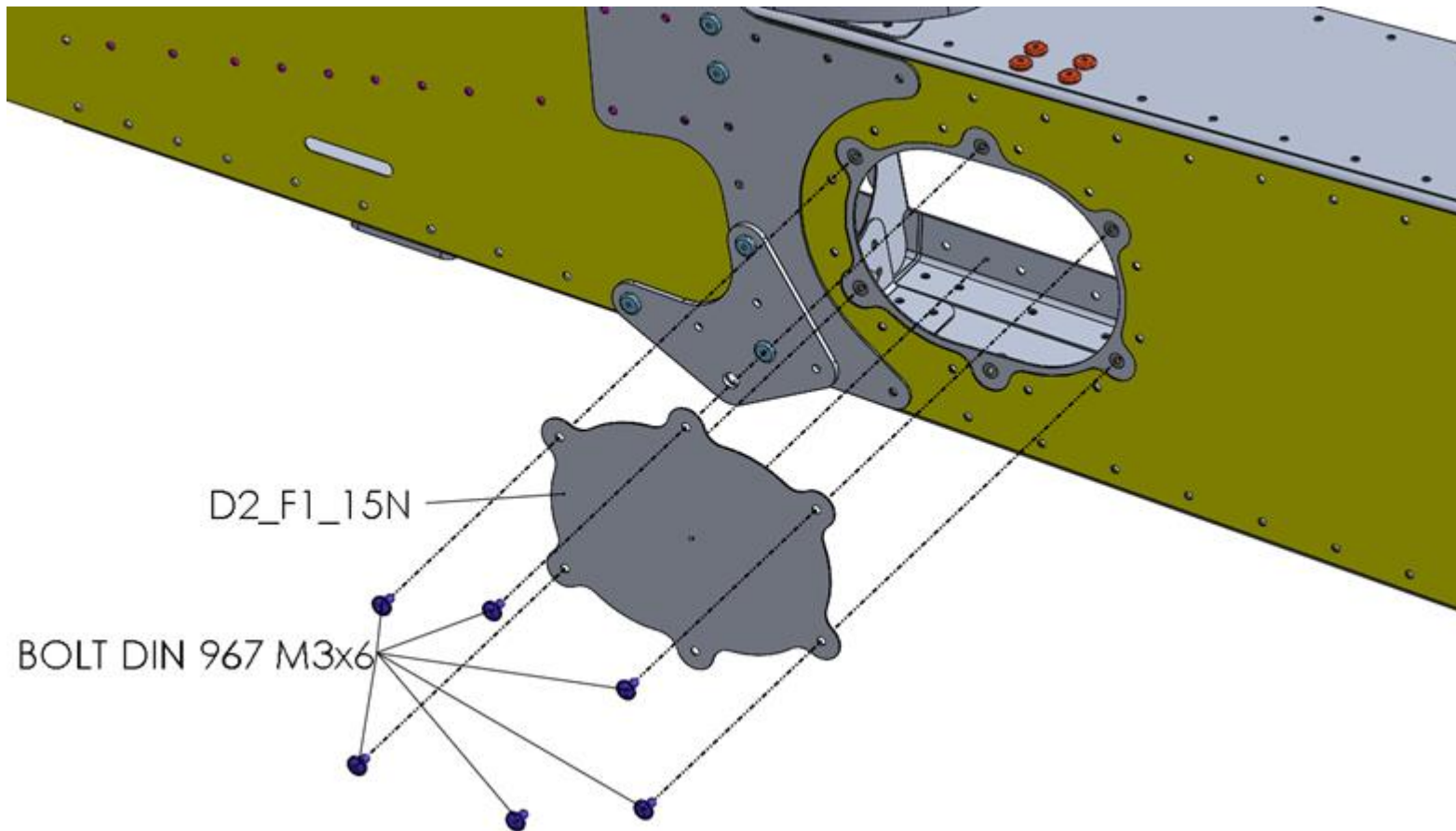
Step 60



Title	Document no.	Revision	Page	Pages
Fuselage assembly manual	D2_F0_00	Rev. 03	80	414



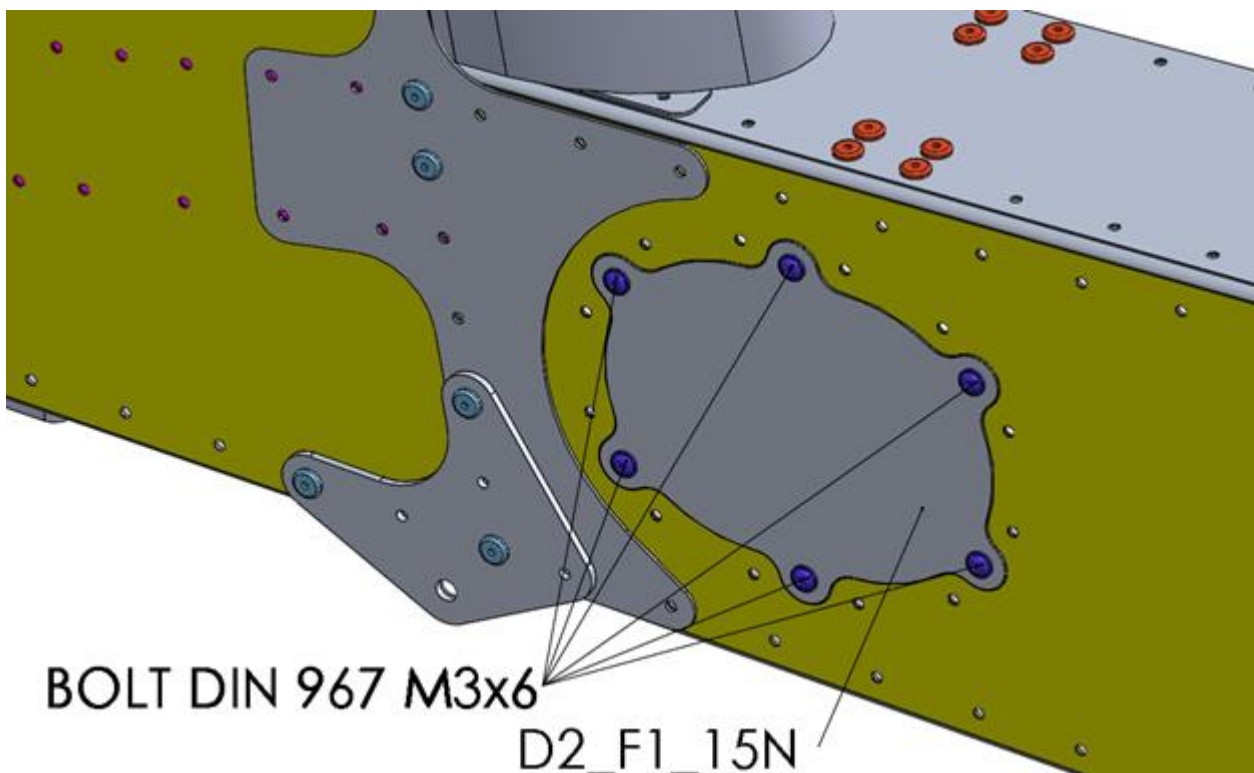
Step 61



Title	Document no.	Revision	Page	Pages
Fuselage assembly manual	D2_F0_00	Rev. 03	81	414



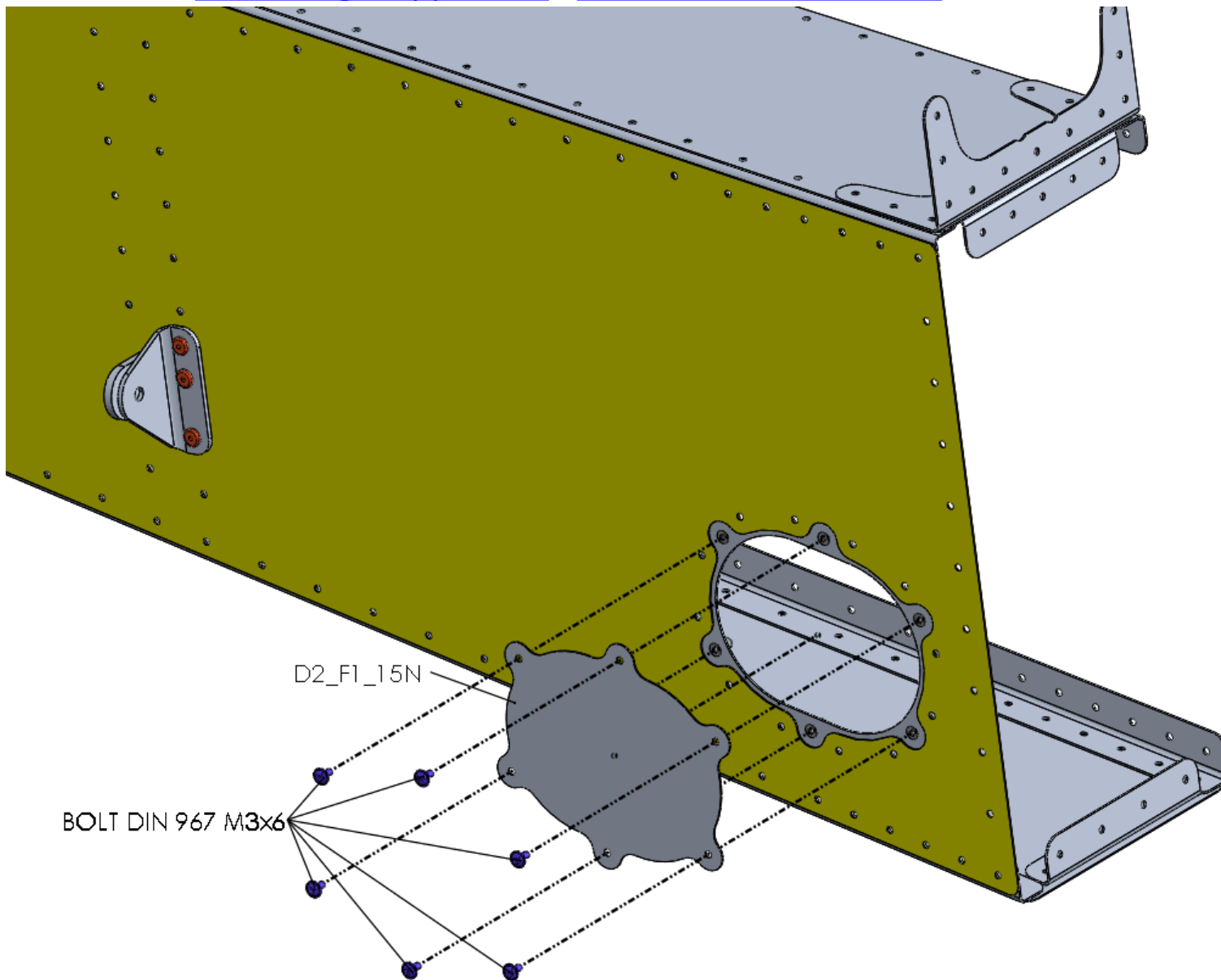
Step 62



Title	Document no.	Revision	Page	Pages
Fuselage assembly manual	D2_F0_00	Rev. 03	82	414



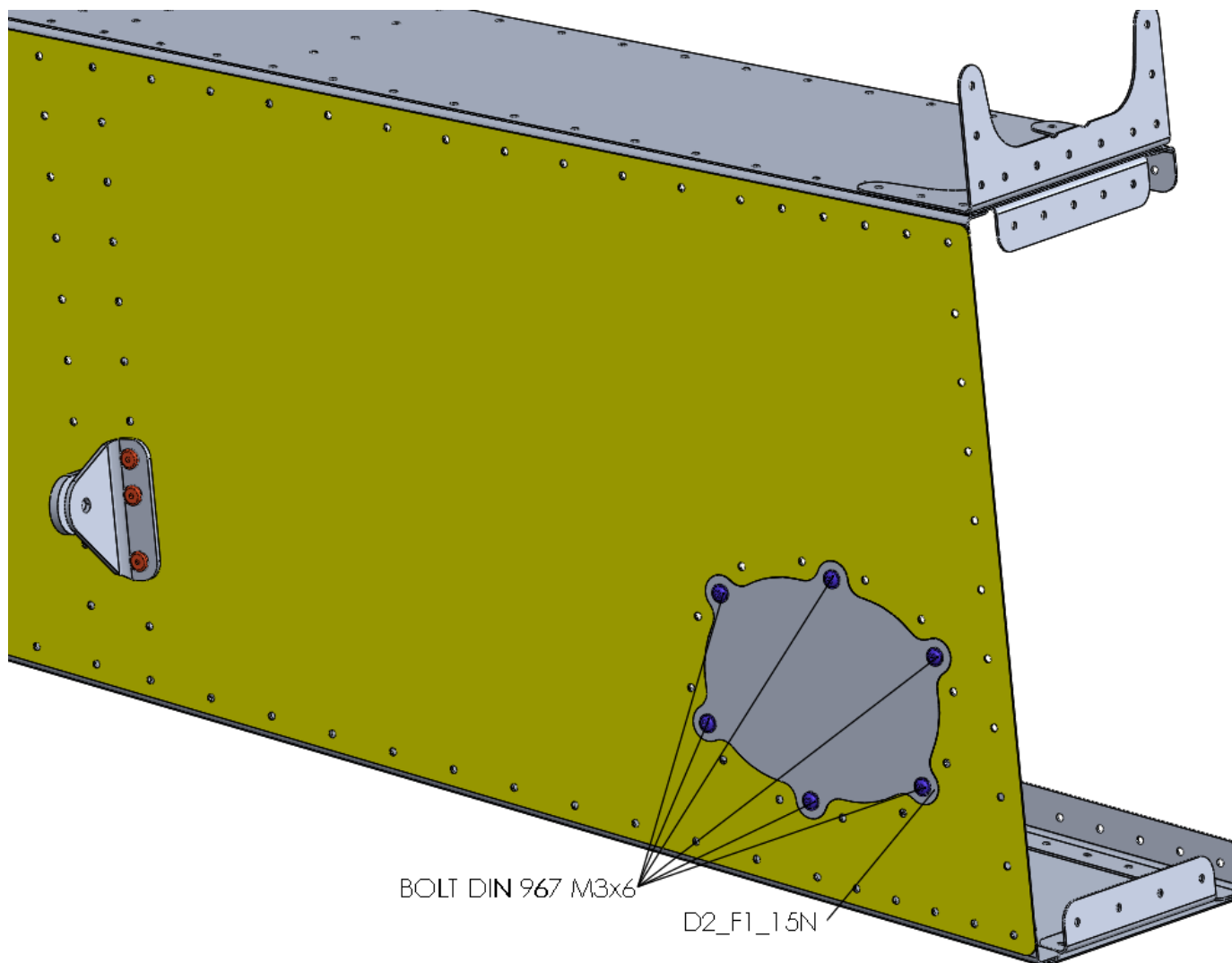
Step 63



Title	Document no.	Revision	Page	Pages
Fuselage assembly manual	D2_F0_00	Rev. 03	83	414



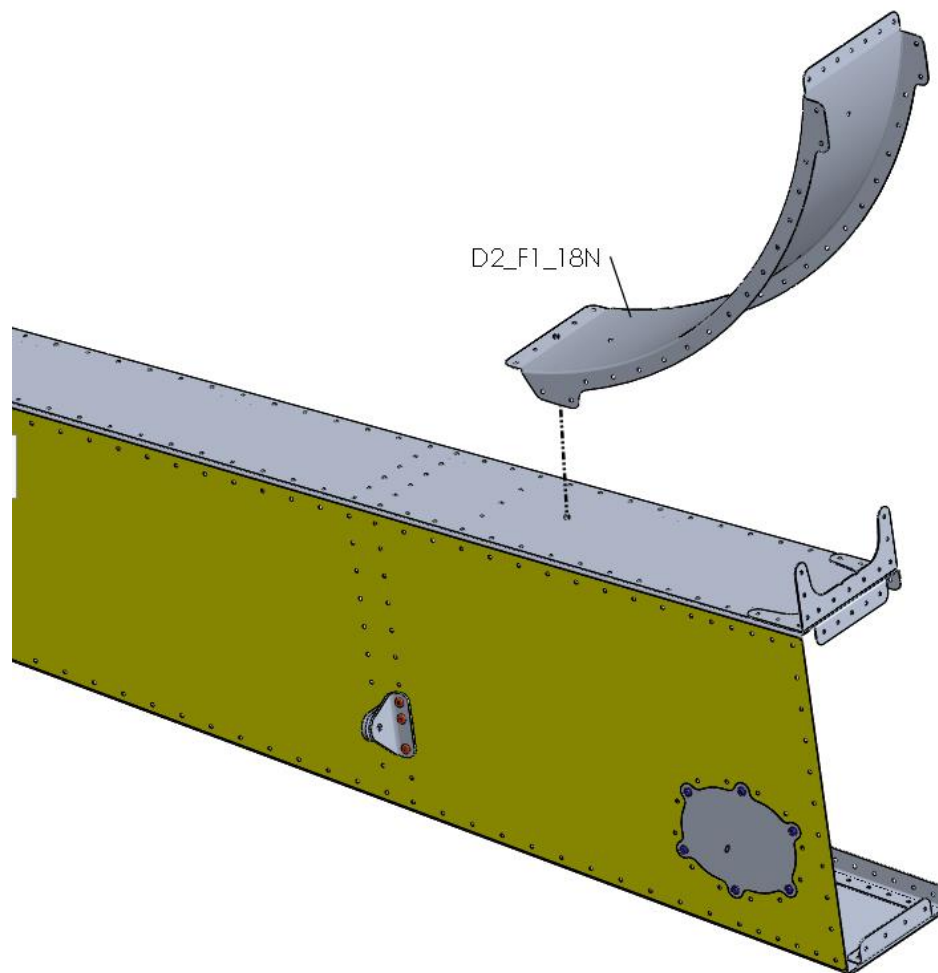
Step 64



Title	Document no.	Revision	Page	Pages
Fuselage assembly manual	D2_F0_00	Rev. 03	84	414



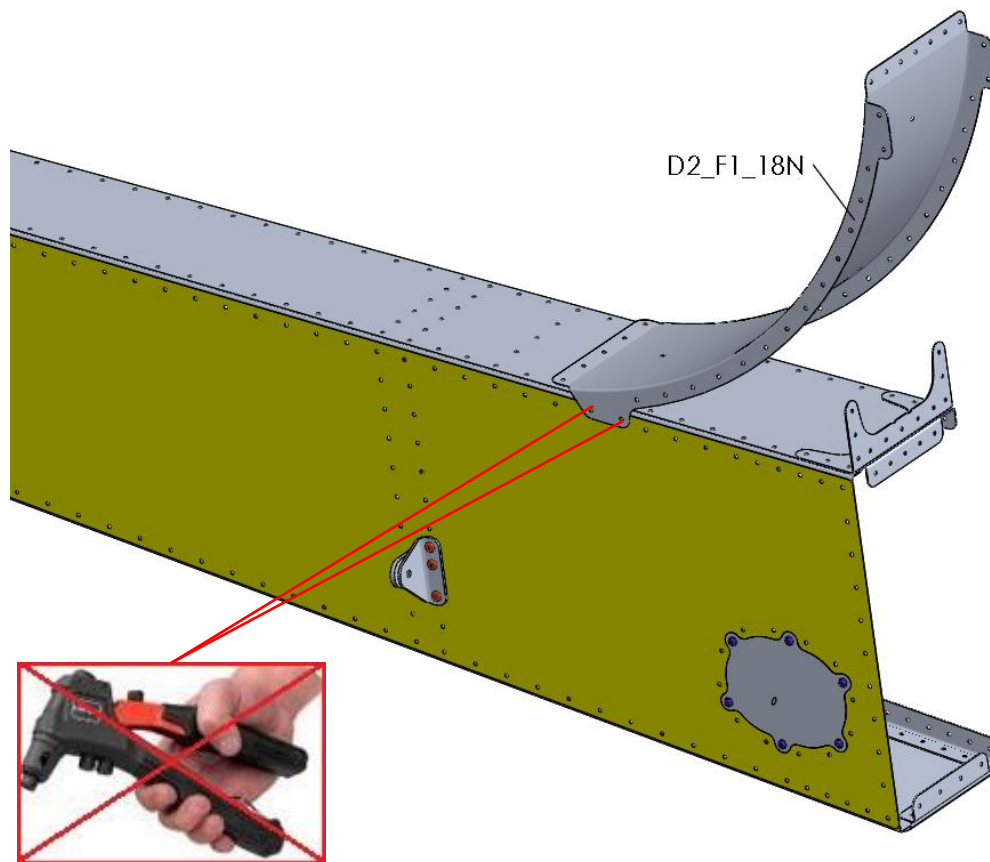
Step 65



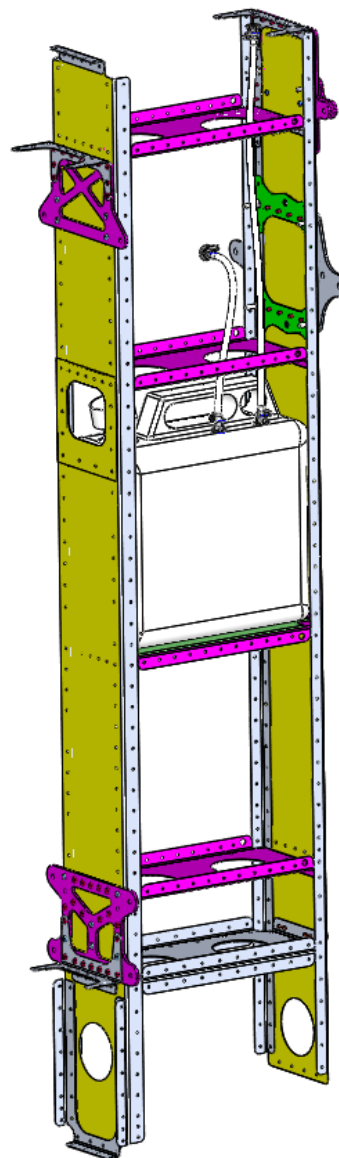
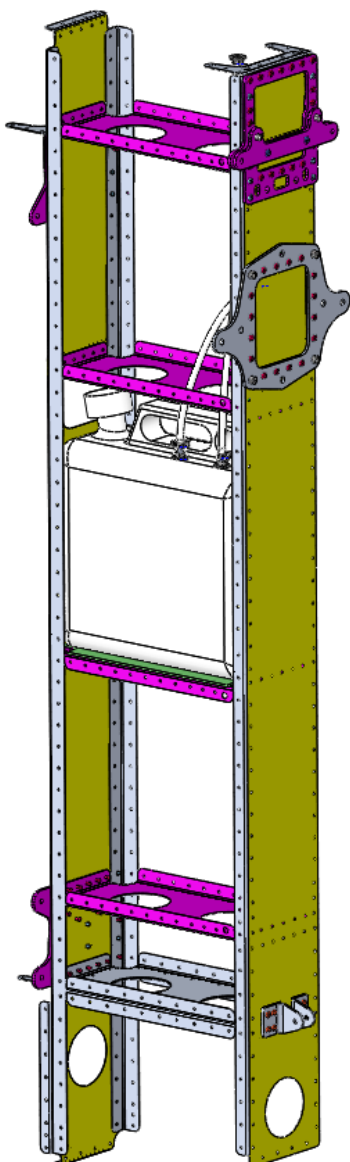
Title	Document no.	Revision	Page	Pages
Fuselage assembly manual	D2_F0_00	Rev. 03	85	414



Step 66



Title	Document no.	Revision	Page	Pages
Fuselage assembly manual	D2_F0_00	Rev. 03	86	414

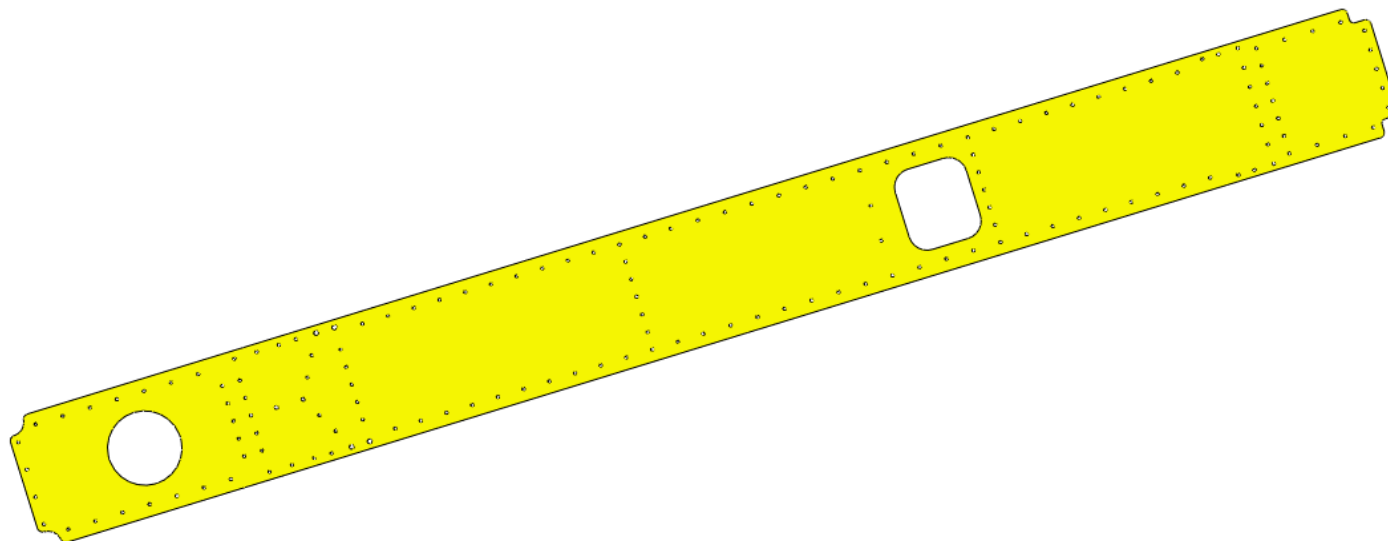


Title	Document no.	Revision	Page	Pages
Fuselage assembly manual	D2_F0_00	Rev. 03	87	414



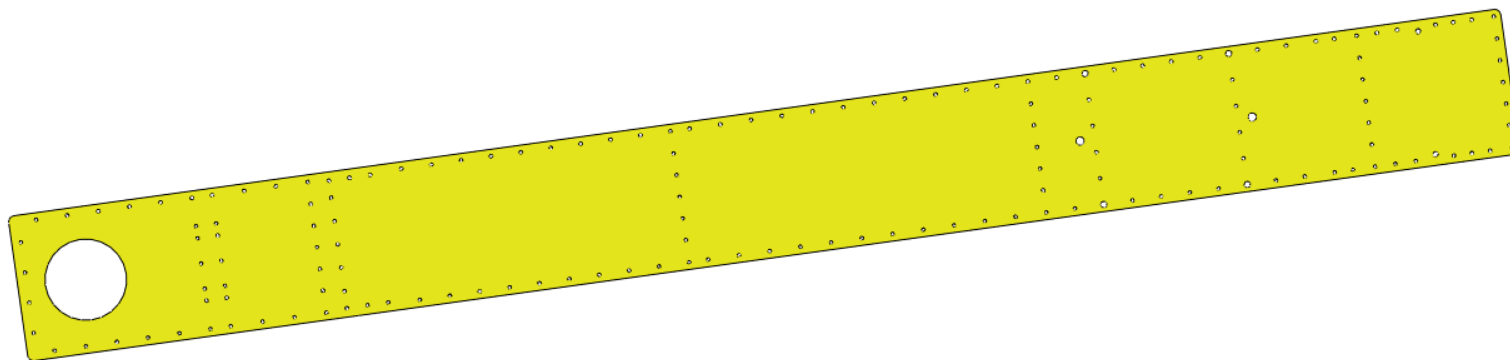
Detail:D2_F1_10N

Quantity: 1



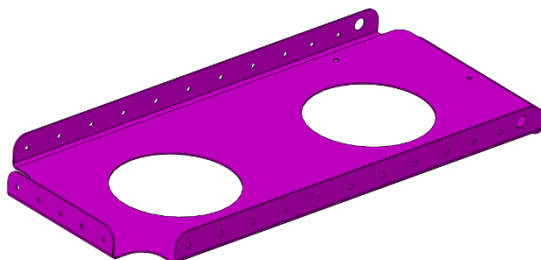
Detail:D2_F1_11N

Quantity: 1



Detail:D2_F2_05N

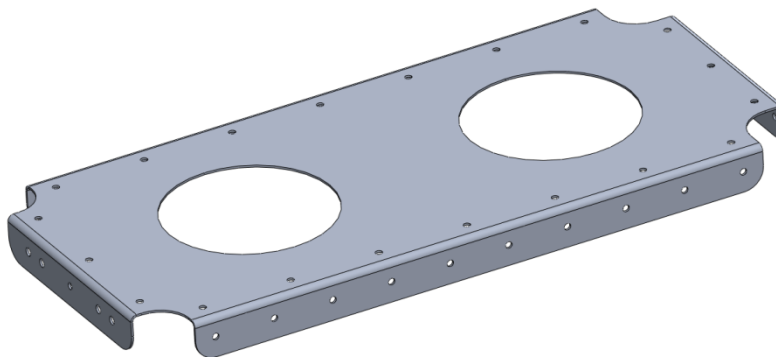
Quantity: 4



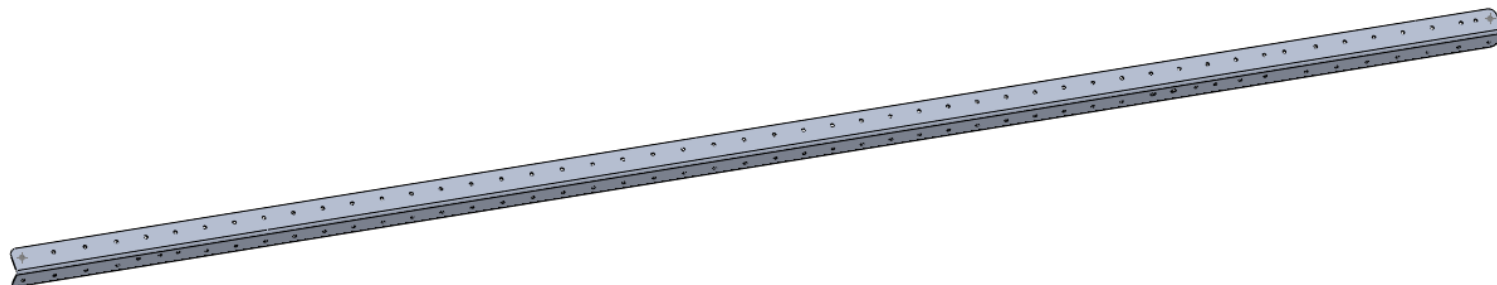
Title	Document no.	Revision	Page	Pages
Fuselage assembly manual	D2_F0_00	Rev. 03	88	414



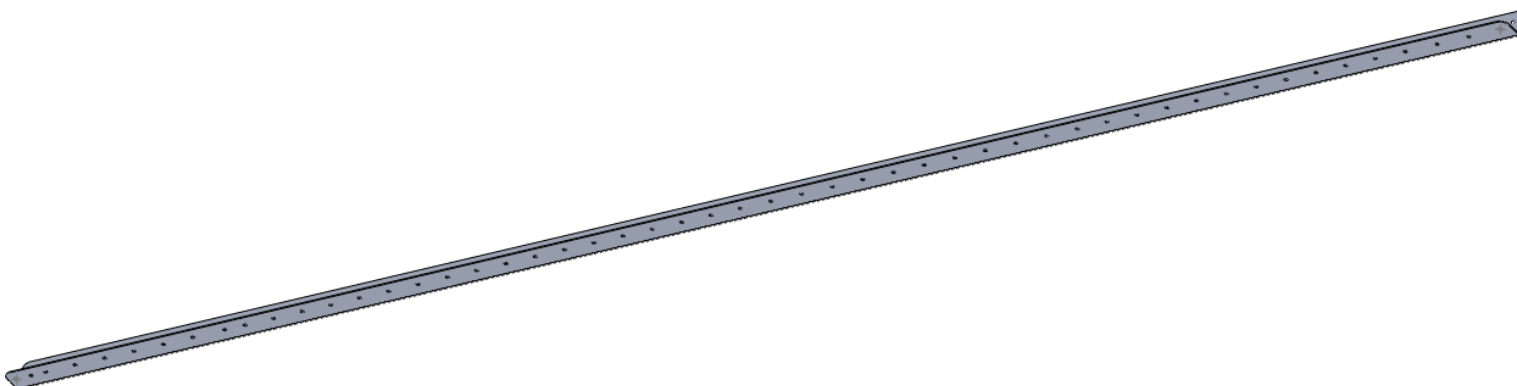
Detail:D2_F2_12N
Quantity: 2



Detail:D2_F3_05L
Quantity: 1



Detail:D2_F3_05P
Quantity: 1



Title	Document no.	Revision	Page	Pages
Fuselage assembly manual	D2_F0_00	Rev. 03	89	414



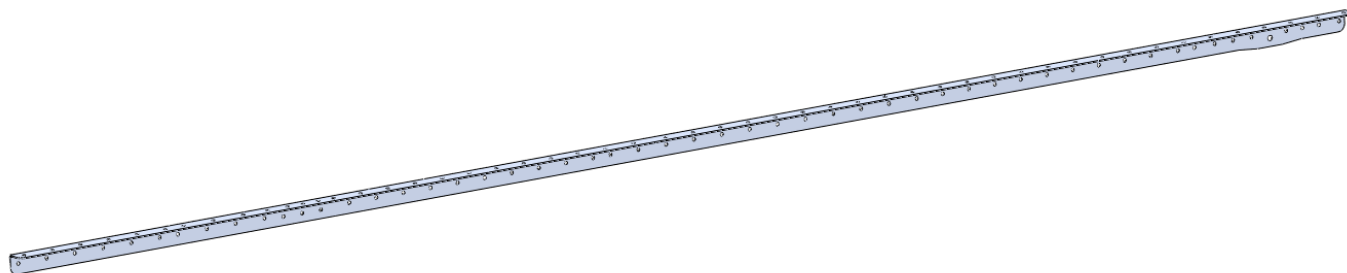
Detail:D2_F3_06L

Quantity: 1



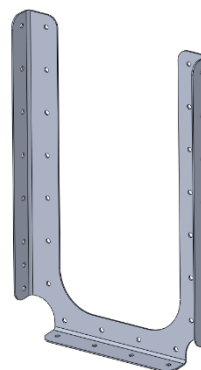
Detail:D2_F3_06P

Quantity: 2



Detail:D2_F3_11N

Quantity: 1

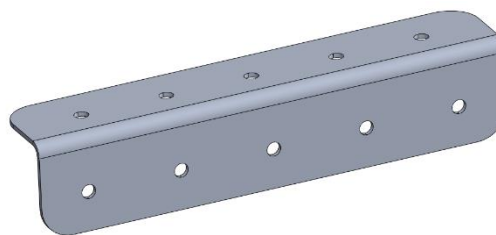


Title	Document no.	Revision	Page	Pages
Fuselage assembly manual	D2_F0_00	Rev. 03	90	414



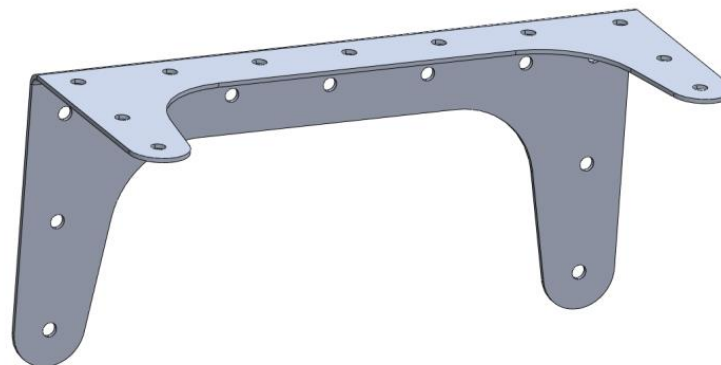
Detail:D2_F3_13N

Quantity: 1



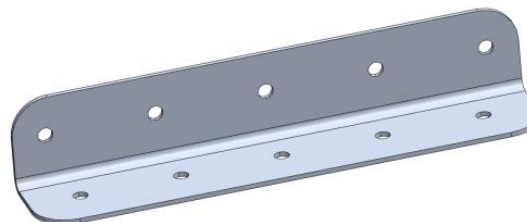
Detail:D2_F3_16N

Quantity: 2



Detail:D2_F3_17N

Quantity: 2

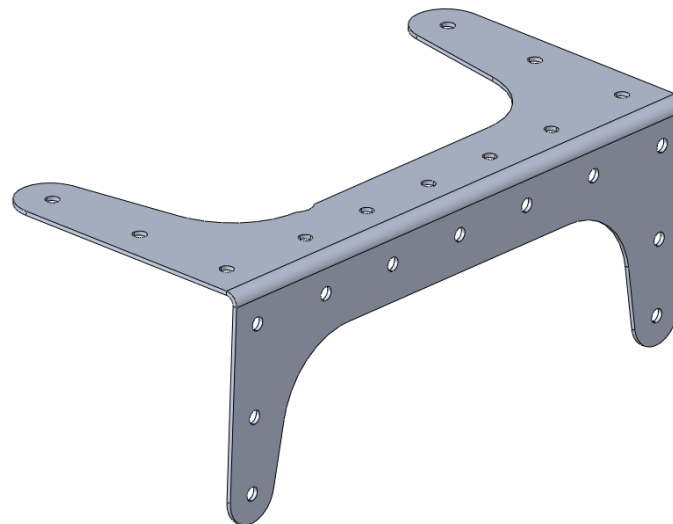


Title	Document no.	Revision	Page	Pages
Fuselage assembly manual	D2_F0_00	Rev. 03	91	414



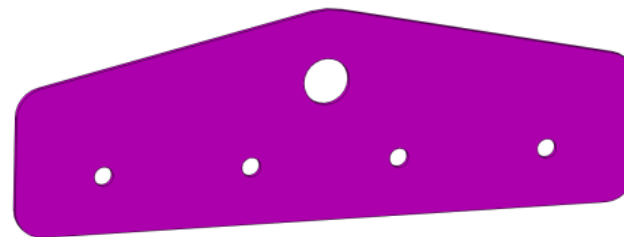
Detail:D2_F3_20N

Quantity: 2



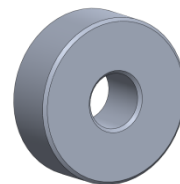
Detail:D2_F3_26N

Quantity: 2



Detail:D2_F4_03N

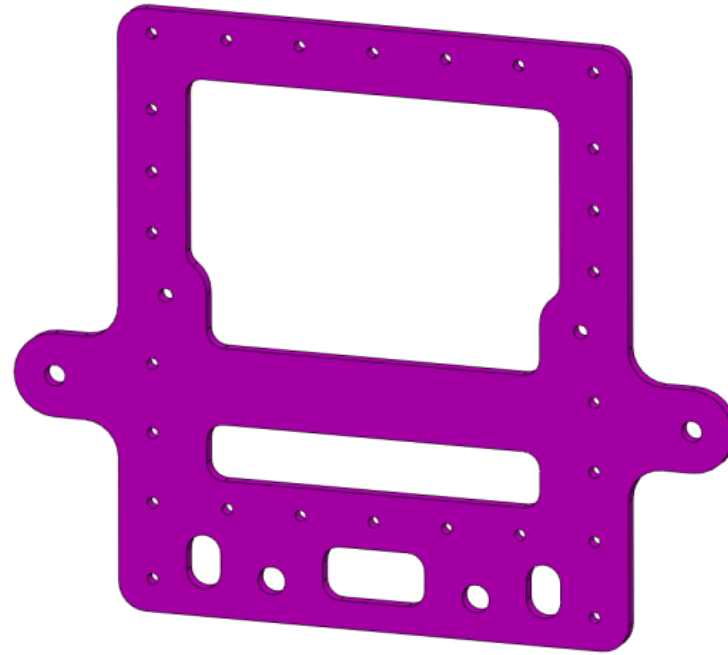
Quantity: 4



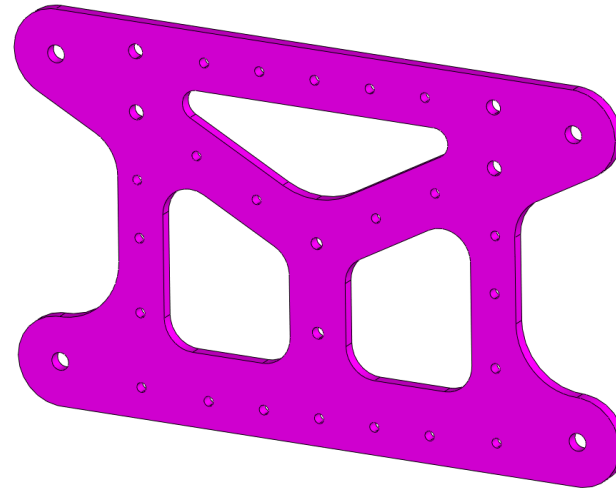
Title	Document no.	Revision	Page	Pages
Fuselage assembly manual	D2_F0_00	Rev. 03	92	414



Detail:D2_F4_04N
Quantity: 1



Detail:D2_F4_05N
Quantity: 1

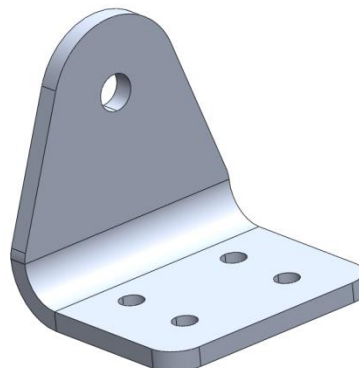


Title	Document no.	Revision	Page	Pages
Fuselage assembly manual	D2_F0_00	Rev. 03	93	414



Detail: D2_F4_17N

Quantity: 2



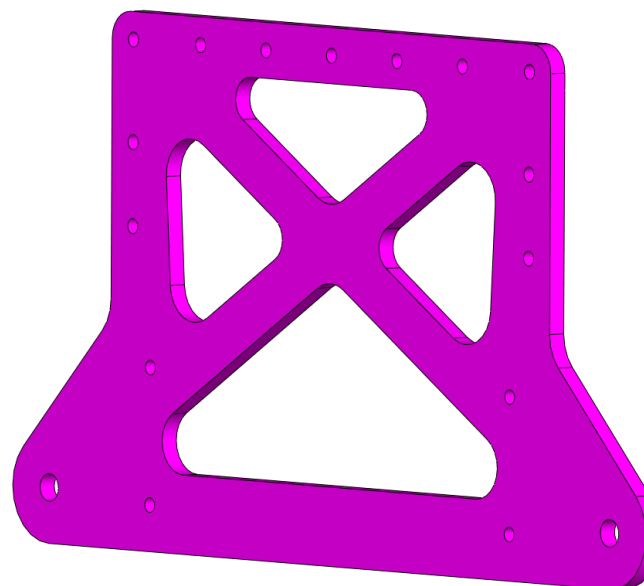
Detail:D2_F4_22N

Quantity: 1



Detail:D2_F4_26N

Quantity: 1

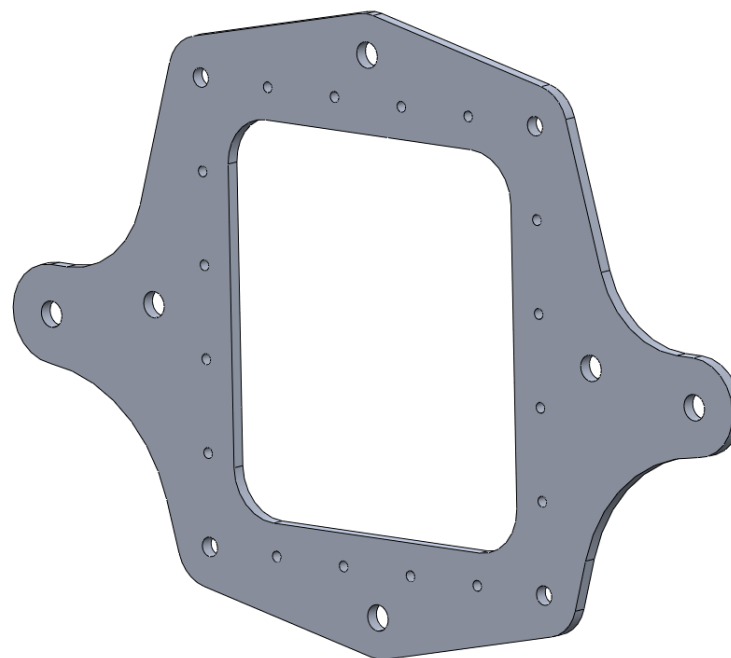


Title	Document no.	Revision	Page	Pages
Fuselage assembly manual	D2_F0_00	Rev. 03	94	414



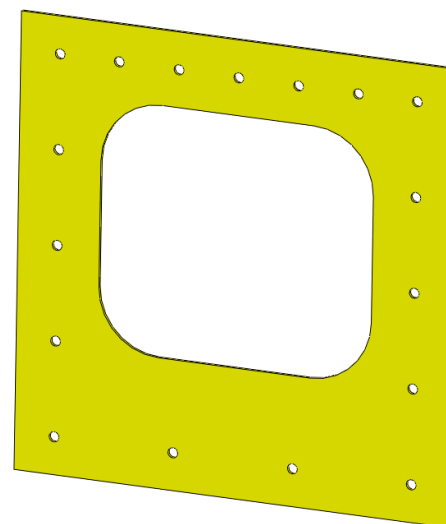
Detail:D2_F4_27N

Quantity: 1



Detail:D2_F4_29N

Quantity: 1

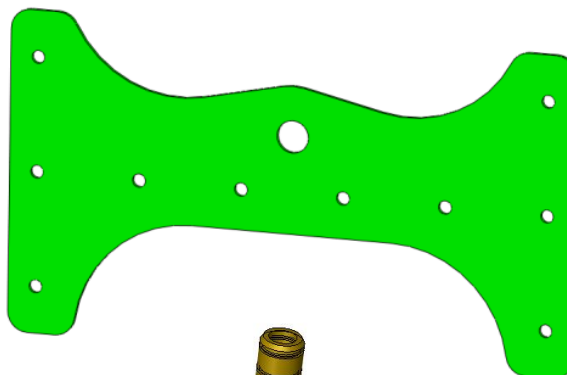


Title	Document no.	Revision	Page	Pages
Fuselage assembly manual	D2_F0_00	Rev. 03	95	414



Detail:D2_F4_32N

Quantity: 2



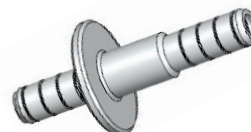
Detail: D2_F5_04N

Quantity: 1



Detail: D2_F5_02N

Quantity: 2



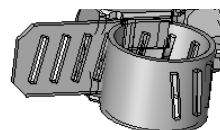
Detail: D2_F5_05N

Quantity: 1



Detail: Hose clamp

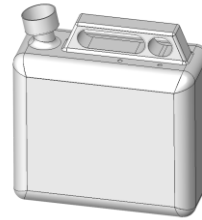
Quantity: 5



Title	Document no.	Revision	Page	Pages
Fuselage assembly manual	D2_F0_00	Rev. 03	96	414



Detail: Canister Stihl
Quantity: 1



Detail: DIN 9021 Washer M8
Quantity: 2



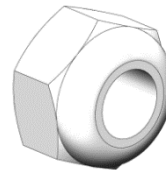
Detail: DIN 125 Washer M5
Quantity: 2



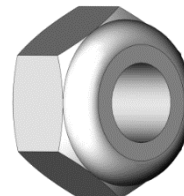
Detail: DIN 125 Washer M6
Quantity: 4



Detail: DIN 985 M5 Nylock Nut
Quantity: 2



Detail: DIN 985 M6 Nylock Nut
Quantity: 4



Title	Document no.	Revision	Page	Pages
Fuselage assembly manual	D2_F0_00	Rev. 03	97	414



Detail: DIN 934 Nut M8

Quantity: 2



Detail: Fuel line 1

Quantity: 1



Detail: Fuel line 2

Quantity: 1



Detail: Fuel line 3

Quantity: 1

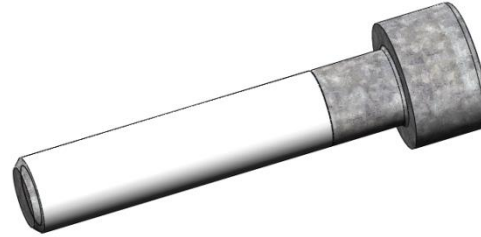


Title	Document no.	Revision	Page	Pages
Fuselage assembly manual	D2_F0_00	Rev. 03	98	414



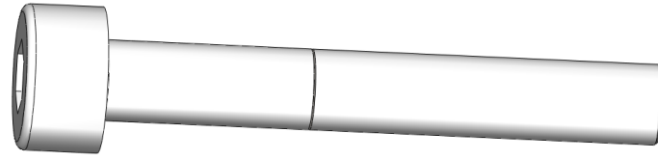
Detail: Bolt DIN 912 M6x30 D6

Quantity: 4



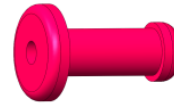
Detail: Bolt DIN 912 M5x35 D13

Quantity: 2



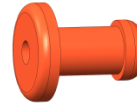
Detail: Rivet Al 4 x 12.7

Quantity: 67



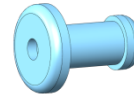
Detail: Rivet Al 4 x 9.5

Quantity: 8



Detail: Rivet INOX 4 x12

Quantity: 18



Detail: Rivet INOX FTR 4,9 x 20

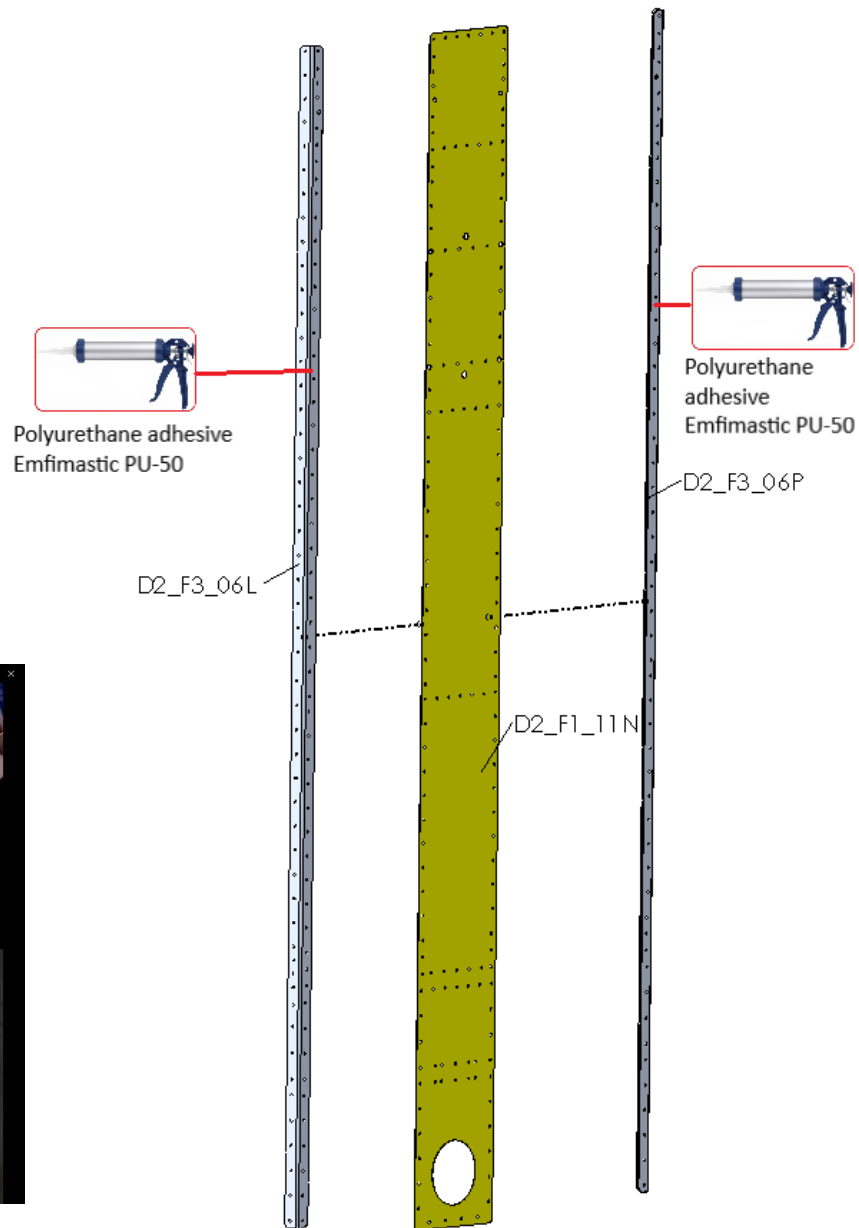
Quantity: 2



Title	Document no.	Revision	Page	Pages
Fuselage assembly manual	D2_F0_00	Rev. 03	99	414



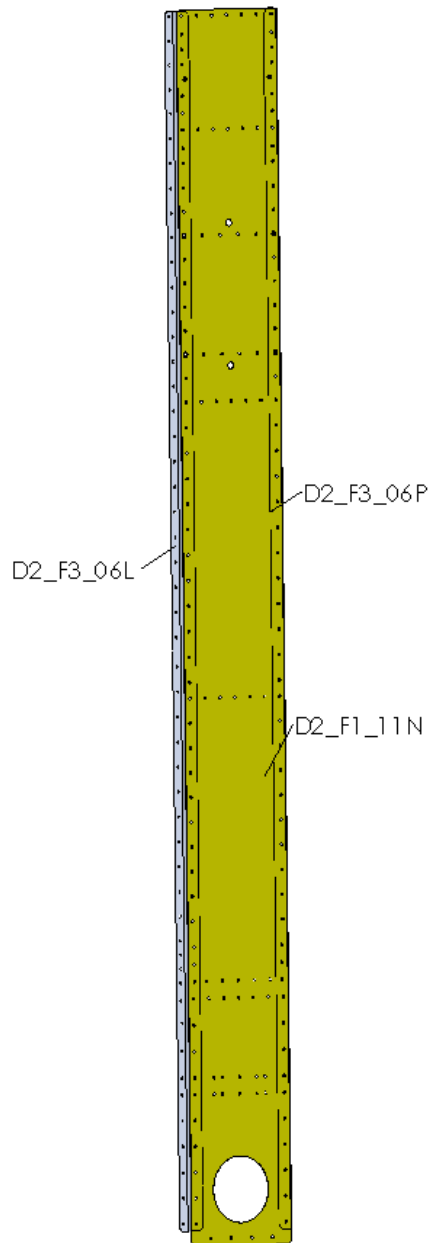
Step 1



Title	Document no.	Revision	Page	Pages
Fuselage assembly manual	D2_F0_00	Rev. 03	100	414



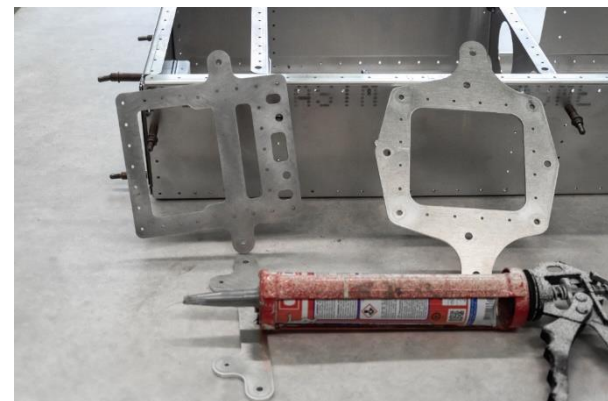
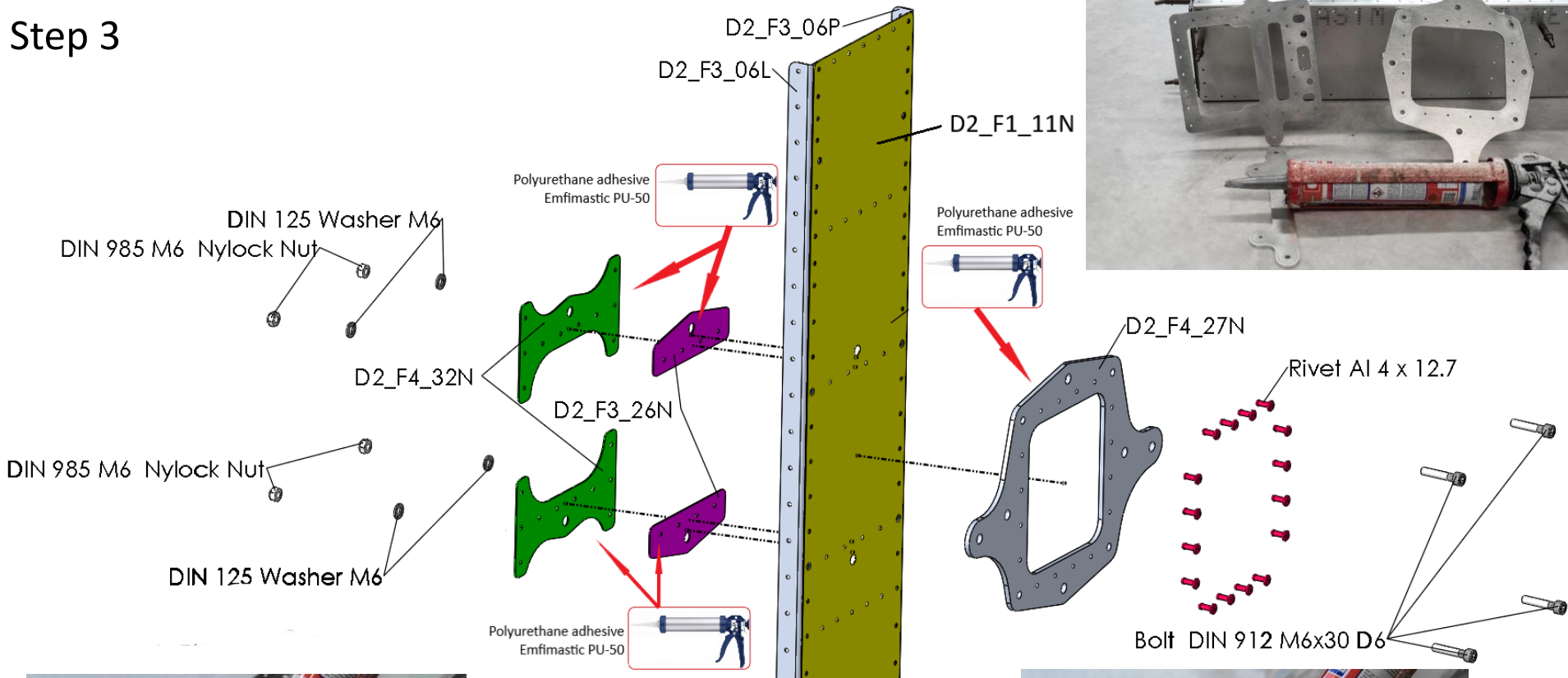
Step 2



Title	Document no.	Revision	Page	Pages
Fuselage assembly manual	D2_F0_00	Rev. 03	101	414



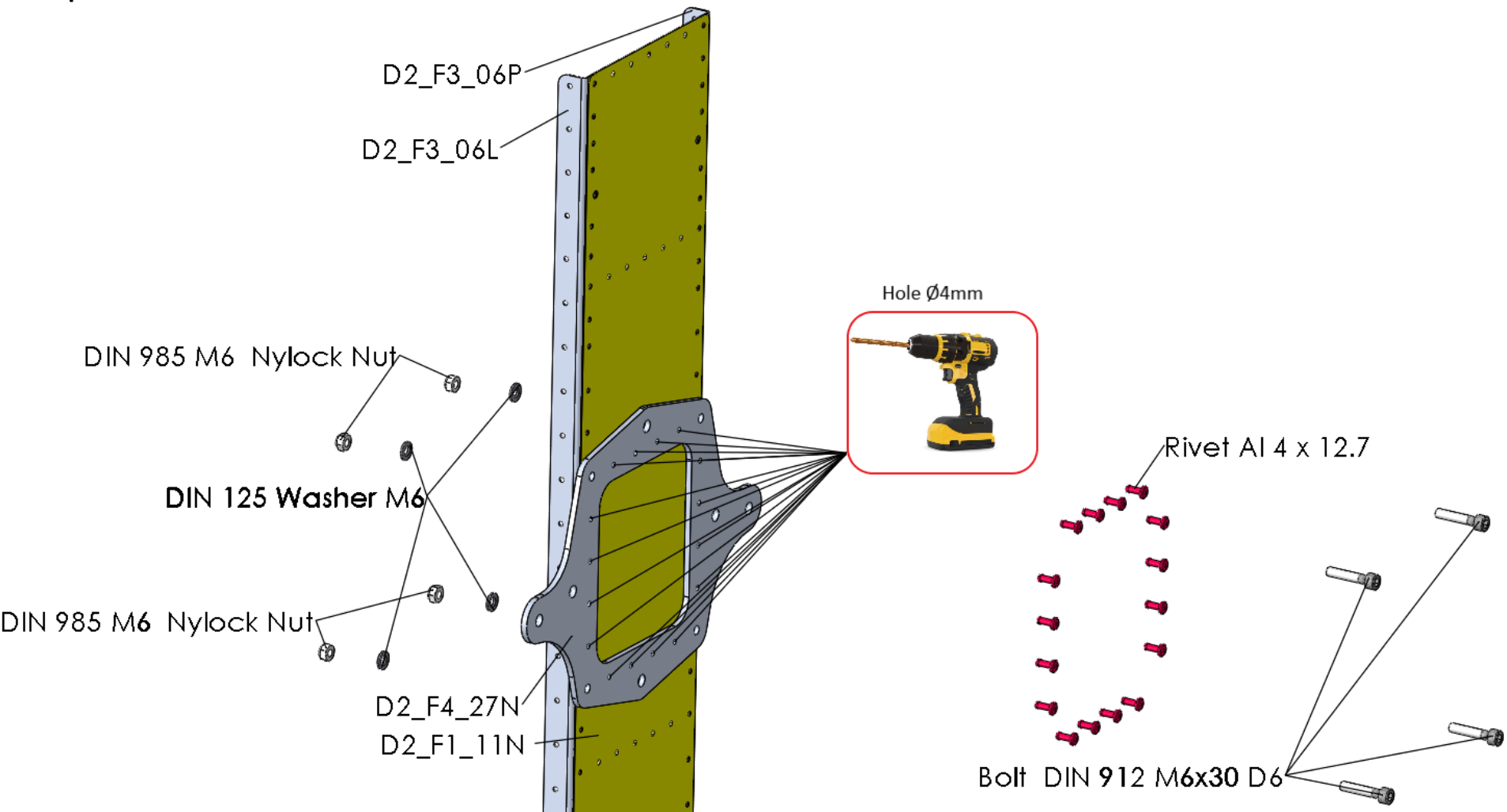
Step 3



Title	Document no.	Revision	Page	Pages
Fuselage assembly manual	D2_F0_00	Rev. 03	102	414



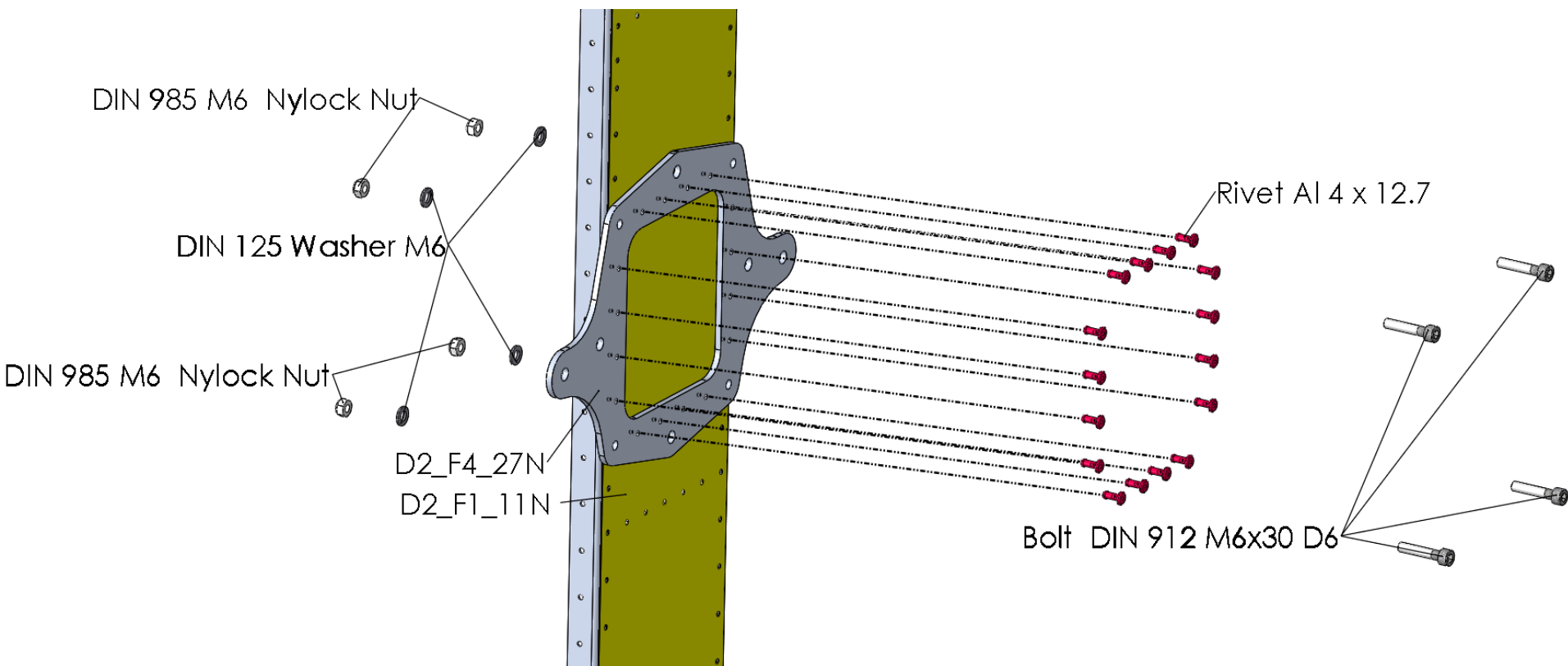
Step 4



Title	Document no.	Revision	Page	Pages
Fuselage assembly manual	D2_F0_00	Rev. 03	103	414



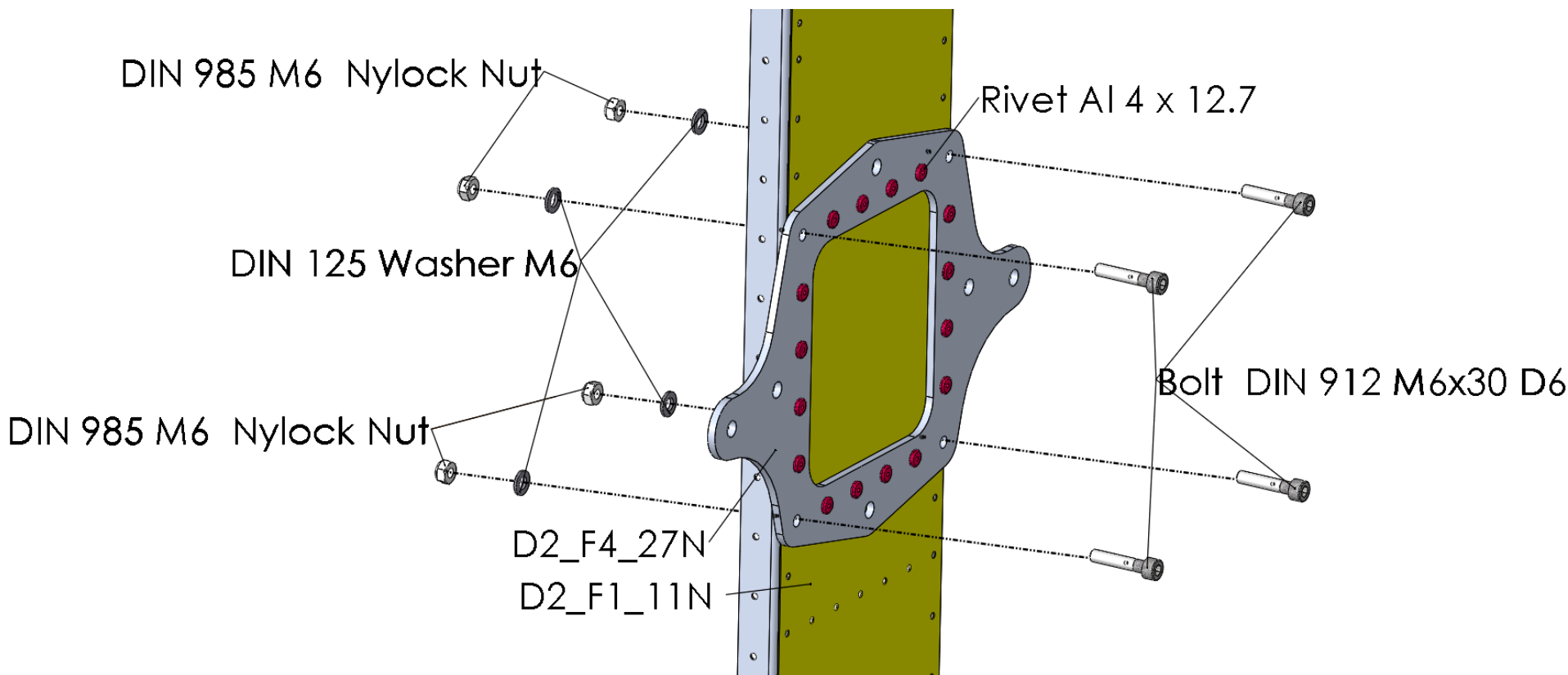
Step 5



Title	Document no.	Revision	Page	Pages
Fuselage assembly manual	D2_F0_00	Rev. 03	104	414



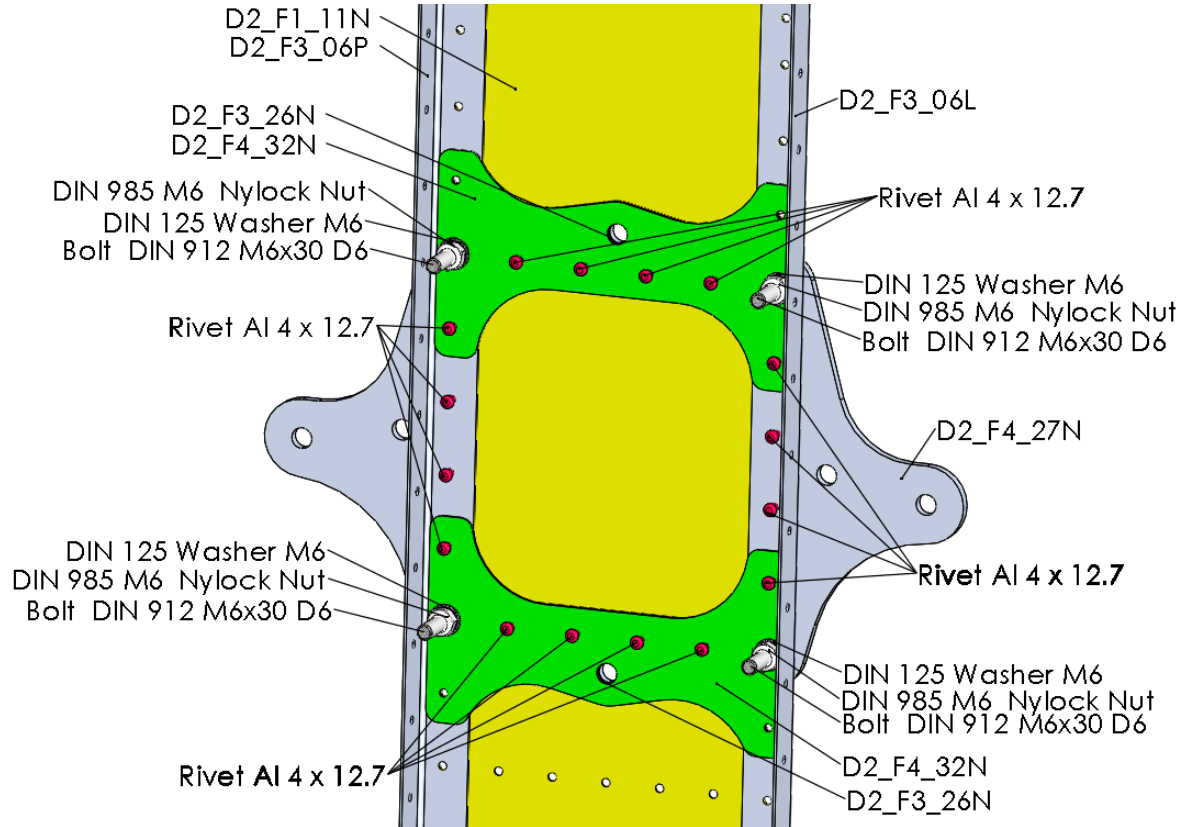
Step 6



Title	Document no.	Revision	Page	Pages
Fuselage assembly manual	D2_F0_00	Rev. 03	105	414



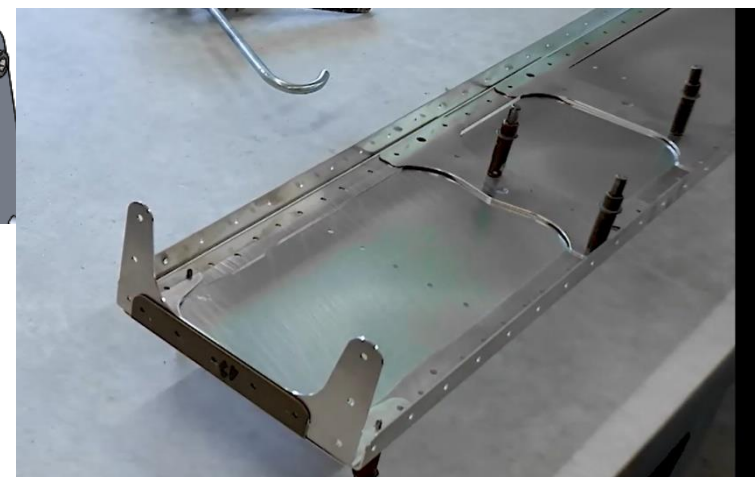
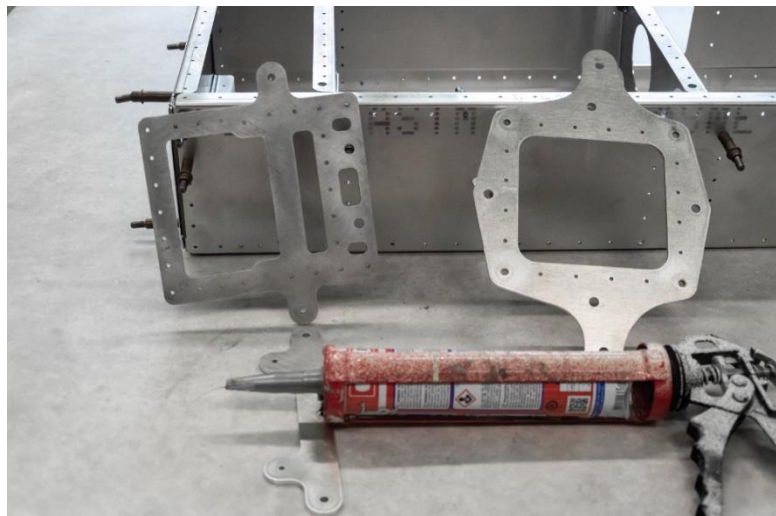
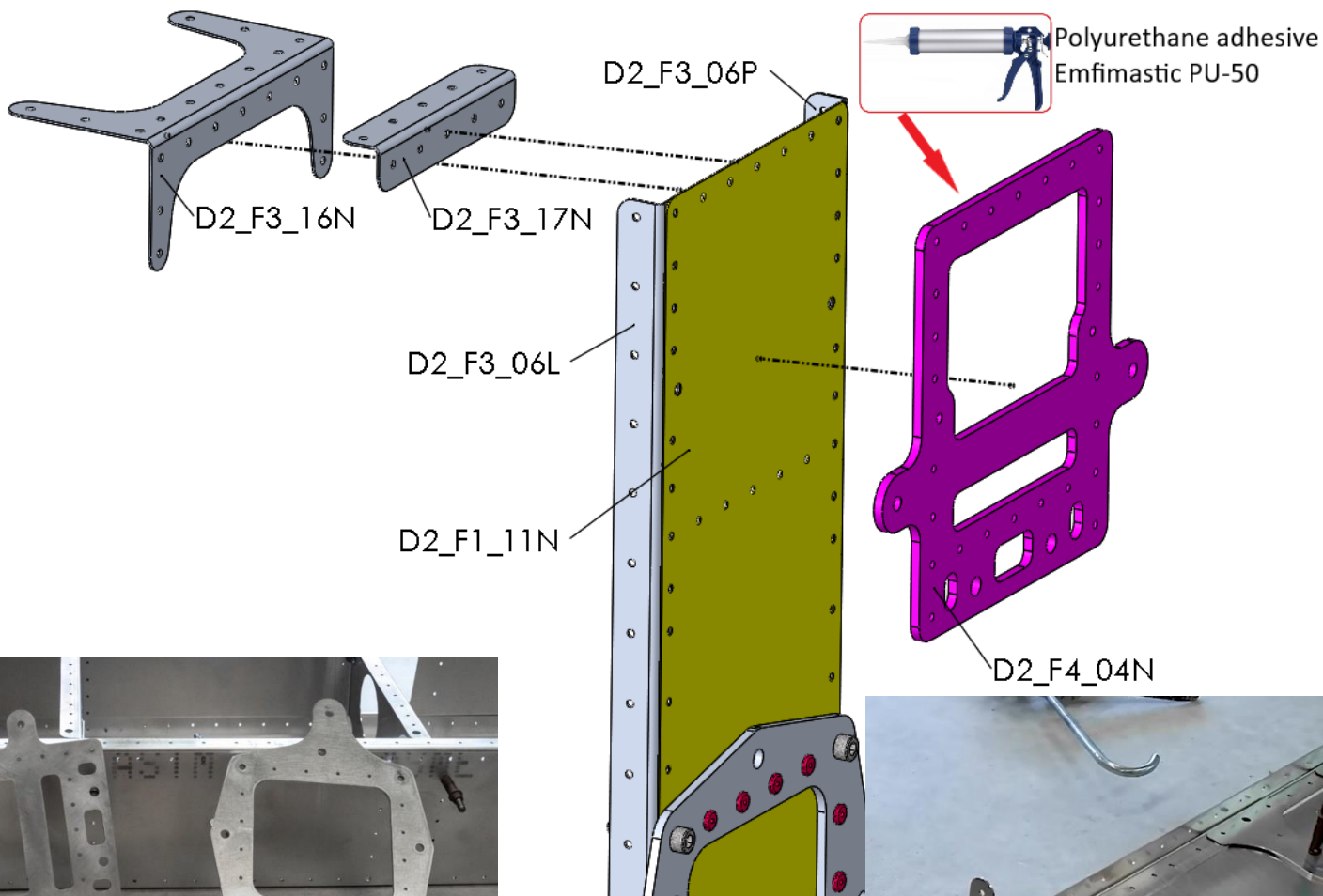
Step 7-A



Title	Document no.	Revision	Page	Pages
Fuselage assembly manual	D2_F0_00	Rev. 03	107	414



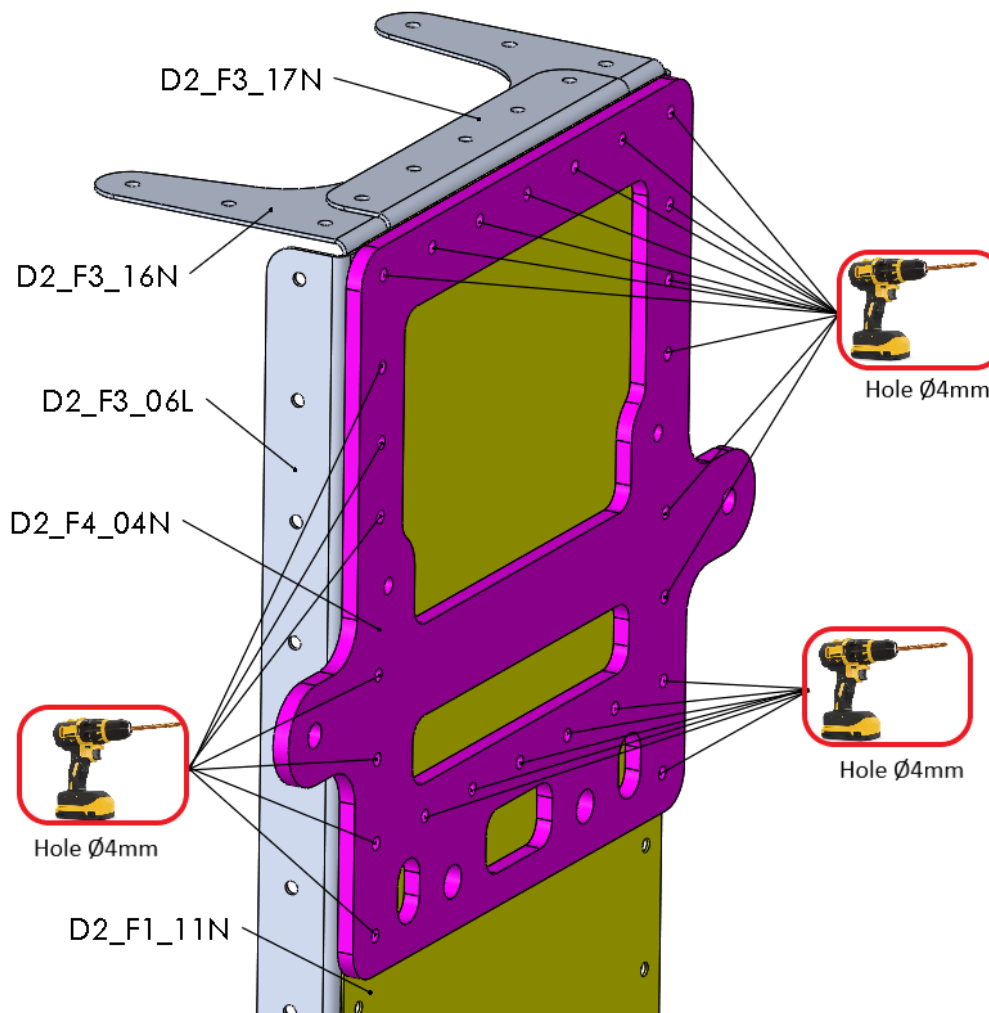
Step 8



Title	Document no.	Revision	Page	Pages
Fuselage assembly manual	D2_F0_00	Rev. 03	108	414



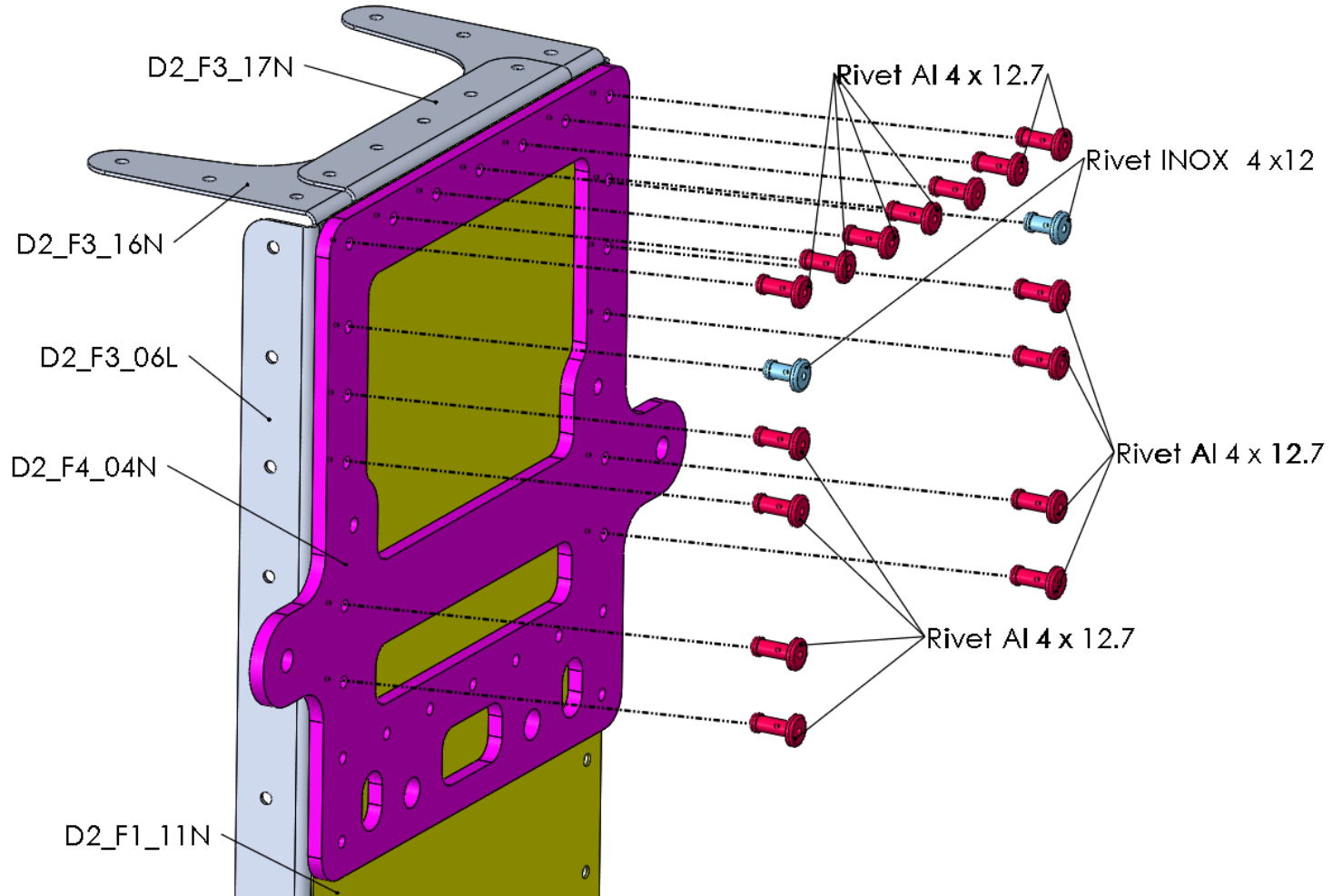
Step 9



Title	Document no.	Revision	Page	Pages
Fuselage assembly manual	D2_F0_00	Rev. 03	109	414



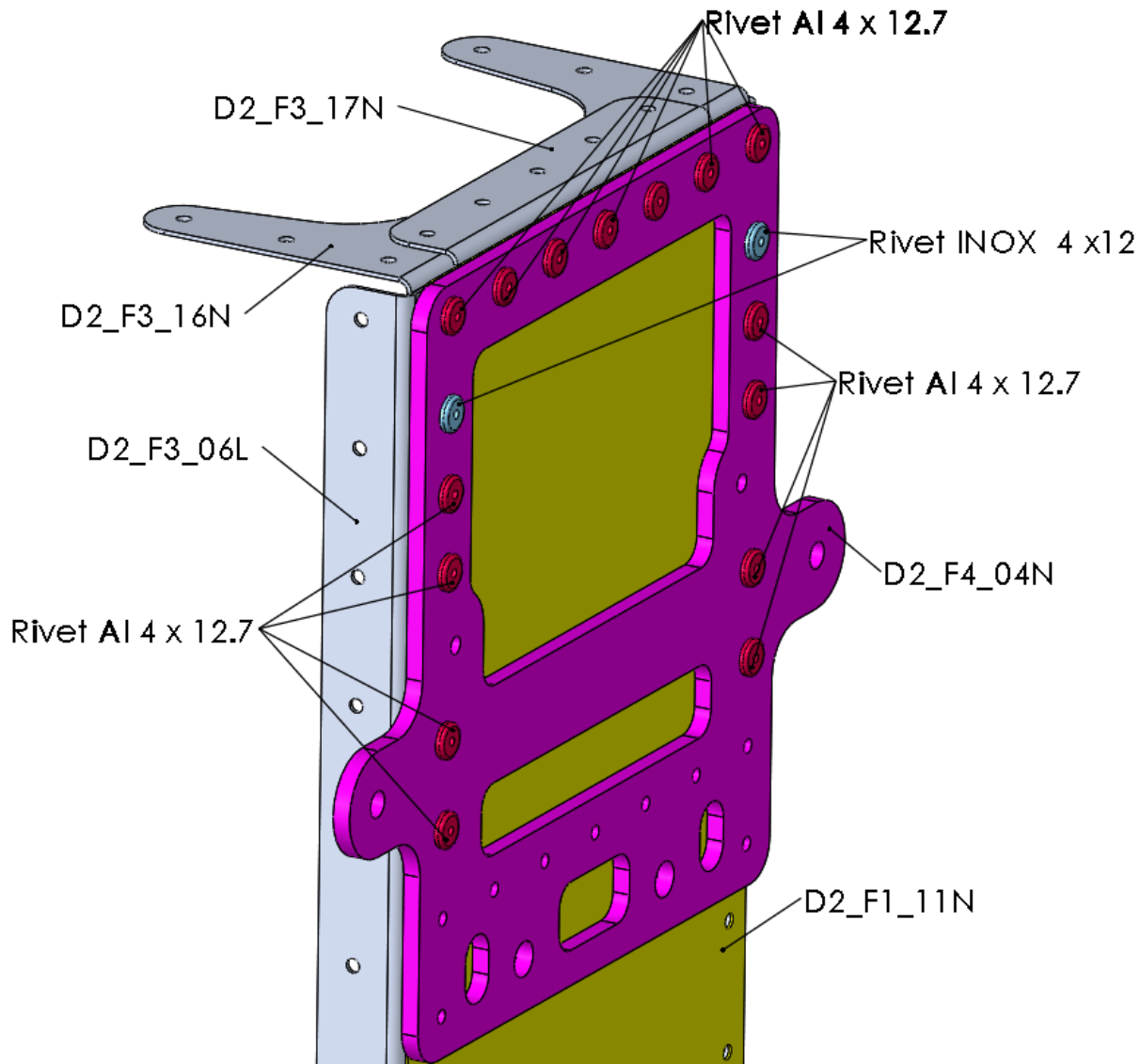
Step 10



Title	Document no.	Revision	Page	Pages
Fuselage assembly manual	D2_F0_00	Rev. 03	110	414



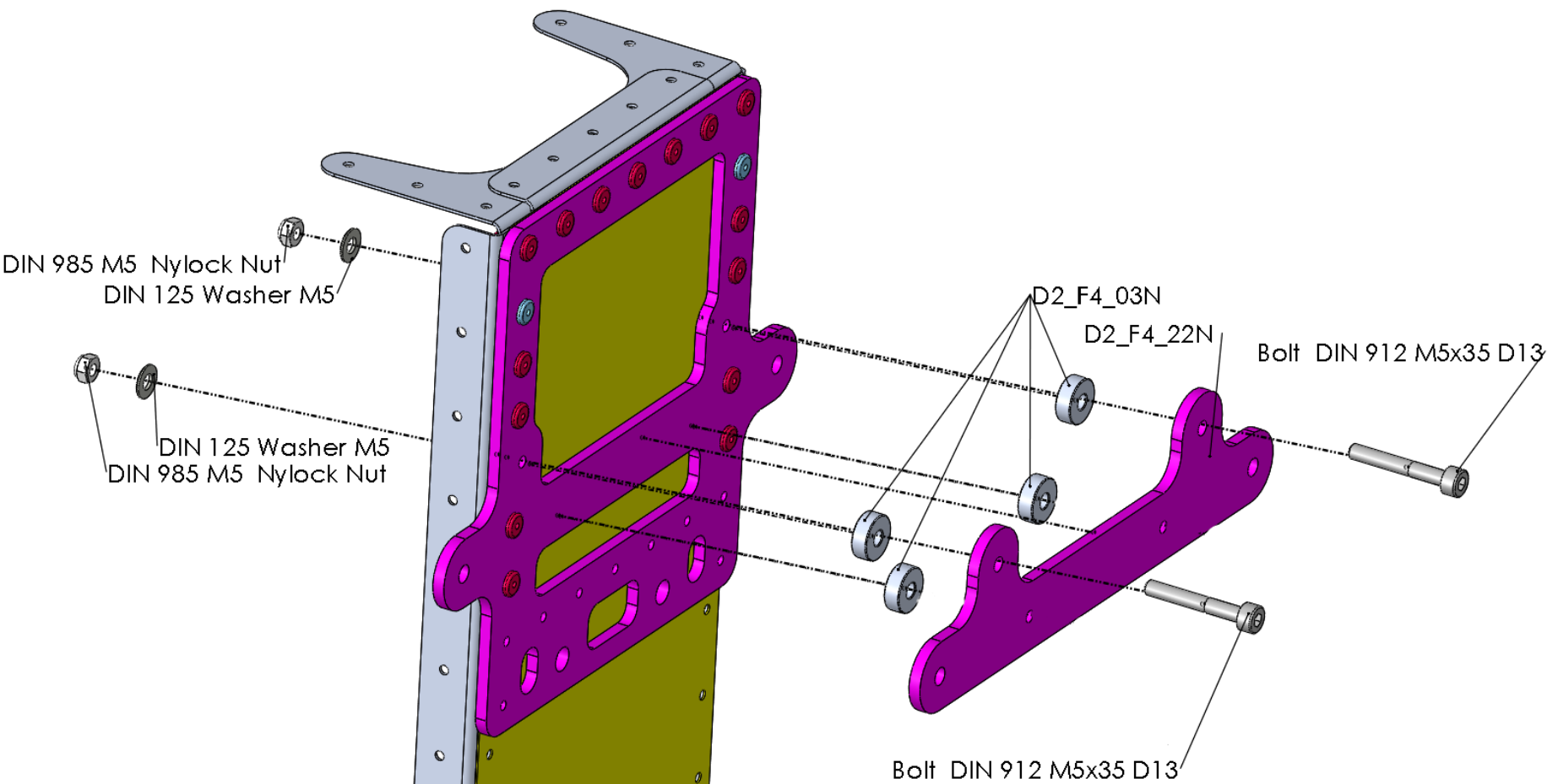
Step 11



Title	Document no.	Revision	Page	Pages
Fuselage assembly manual	D2_F0_00	Rev. 03	111	414



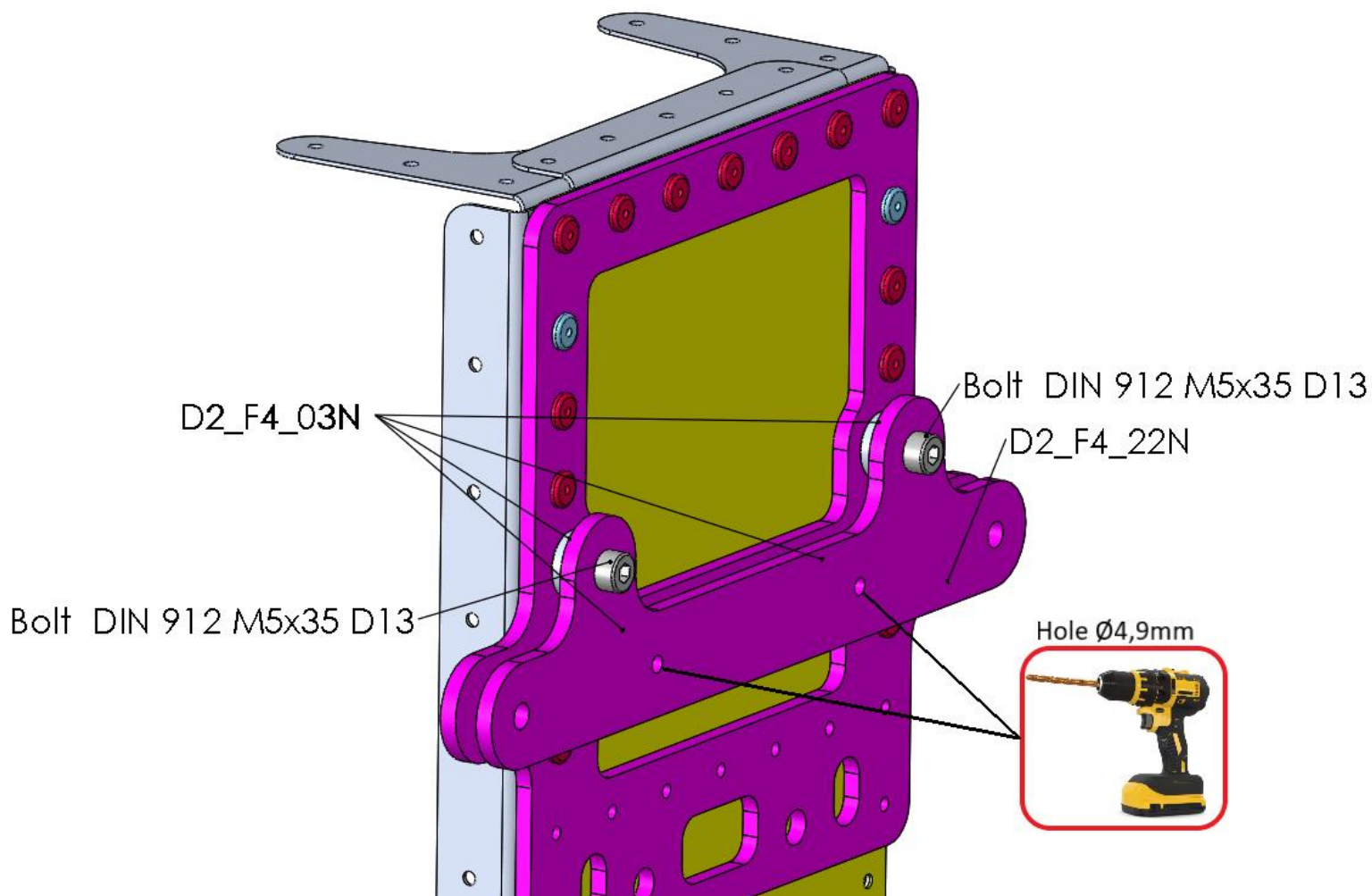
Step 12



Title	Document no.	Revision	Page	Pages
Fuselage assembly manual	D2_F0_00	Rev. 03	112	414



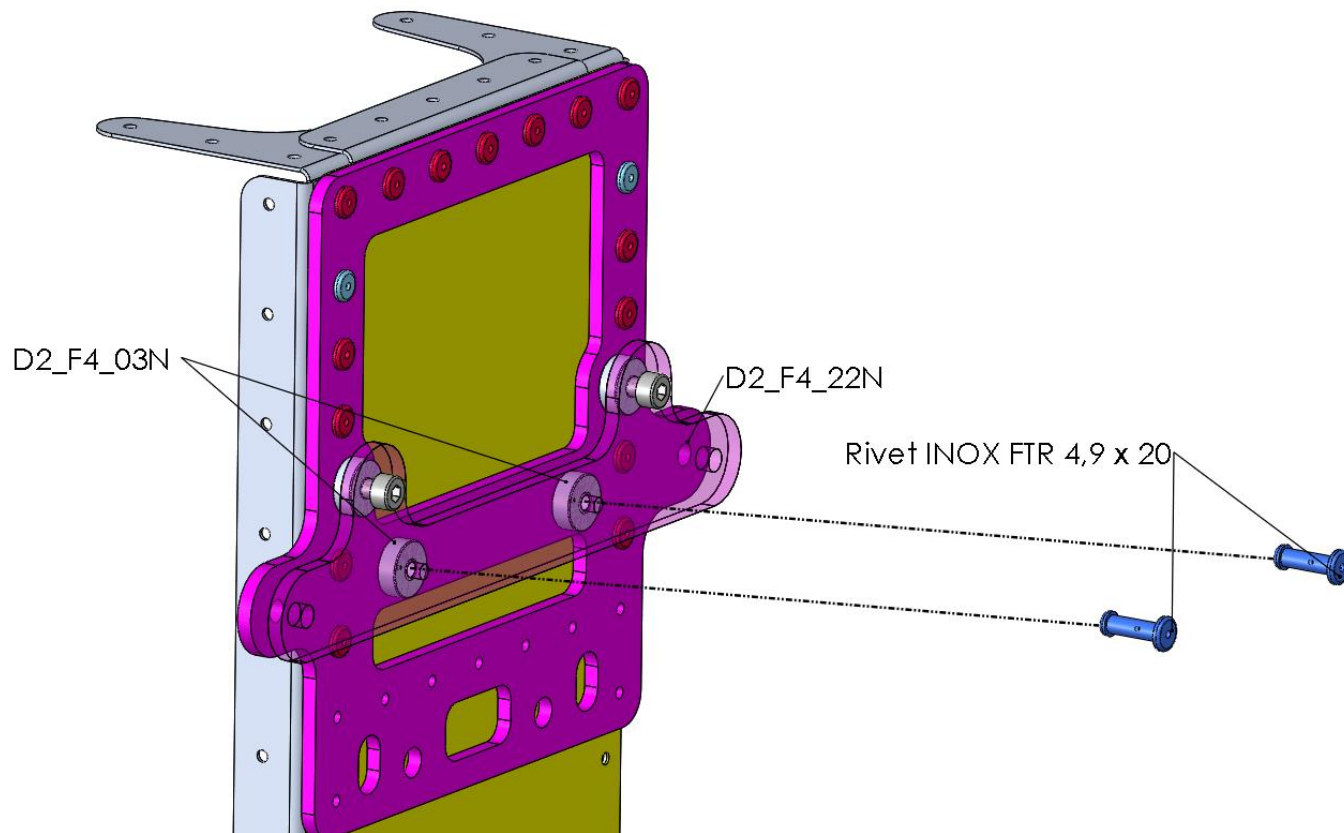
Step 13



Title	Document no.	Revision	Page	Pages
Fuselage assembly manual	D2_F0_00	Rev. 03	113	414



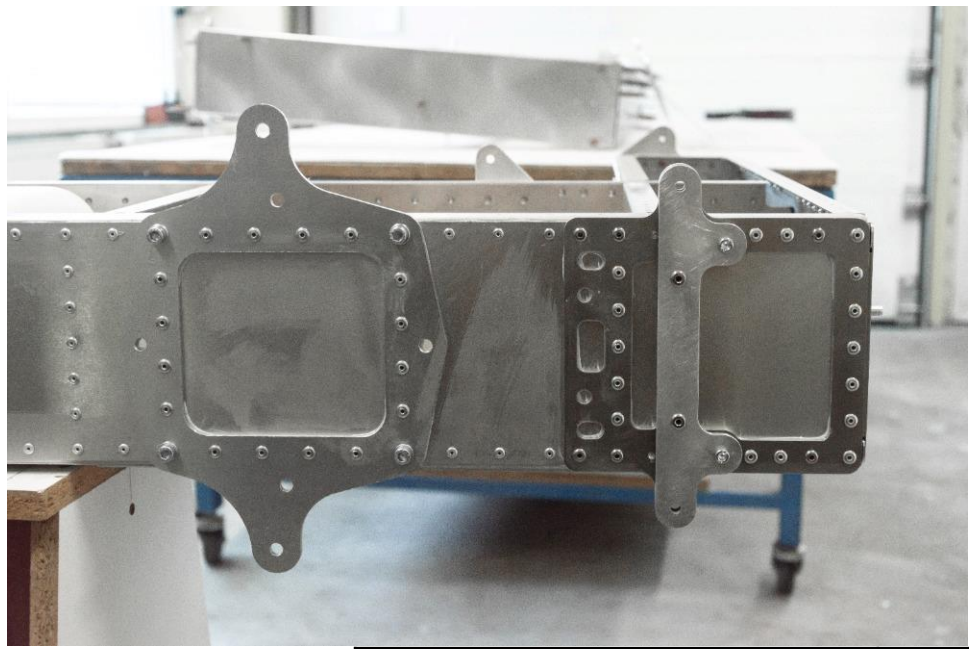
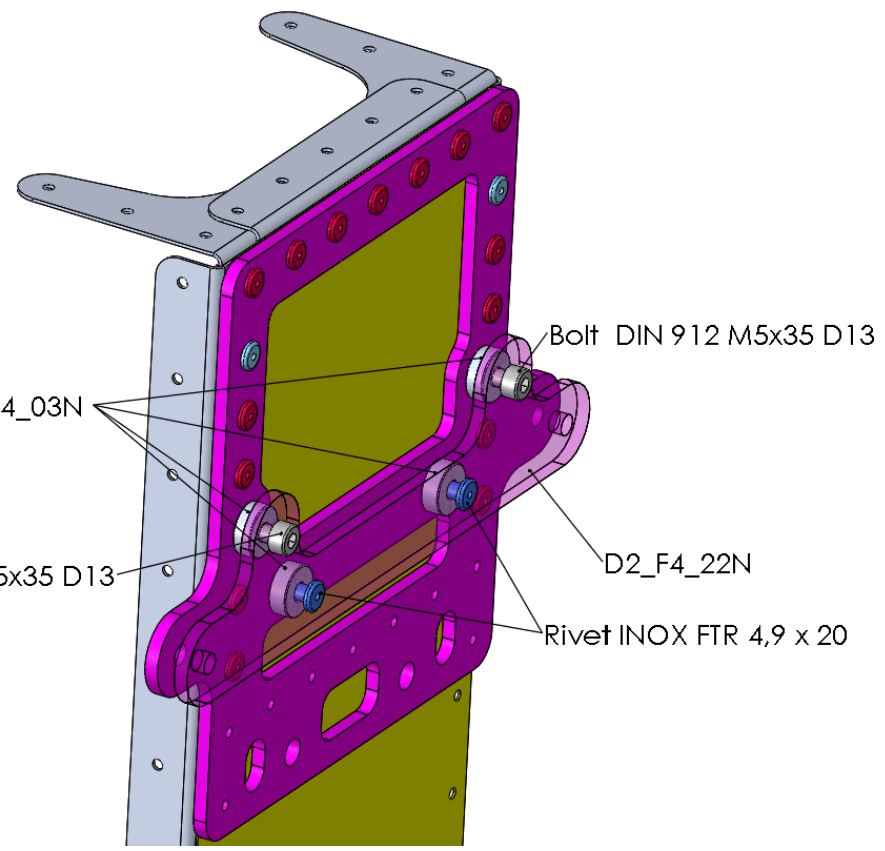
Step 14



Title	Document no.	Revision	Page	Pages
Fuselage assembly manual	D2_F0_00	Rev. 03	114	414



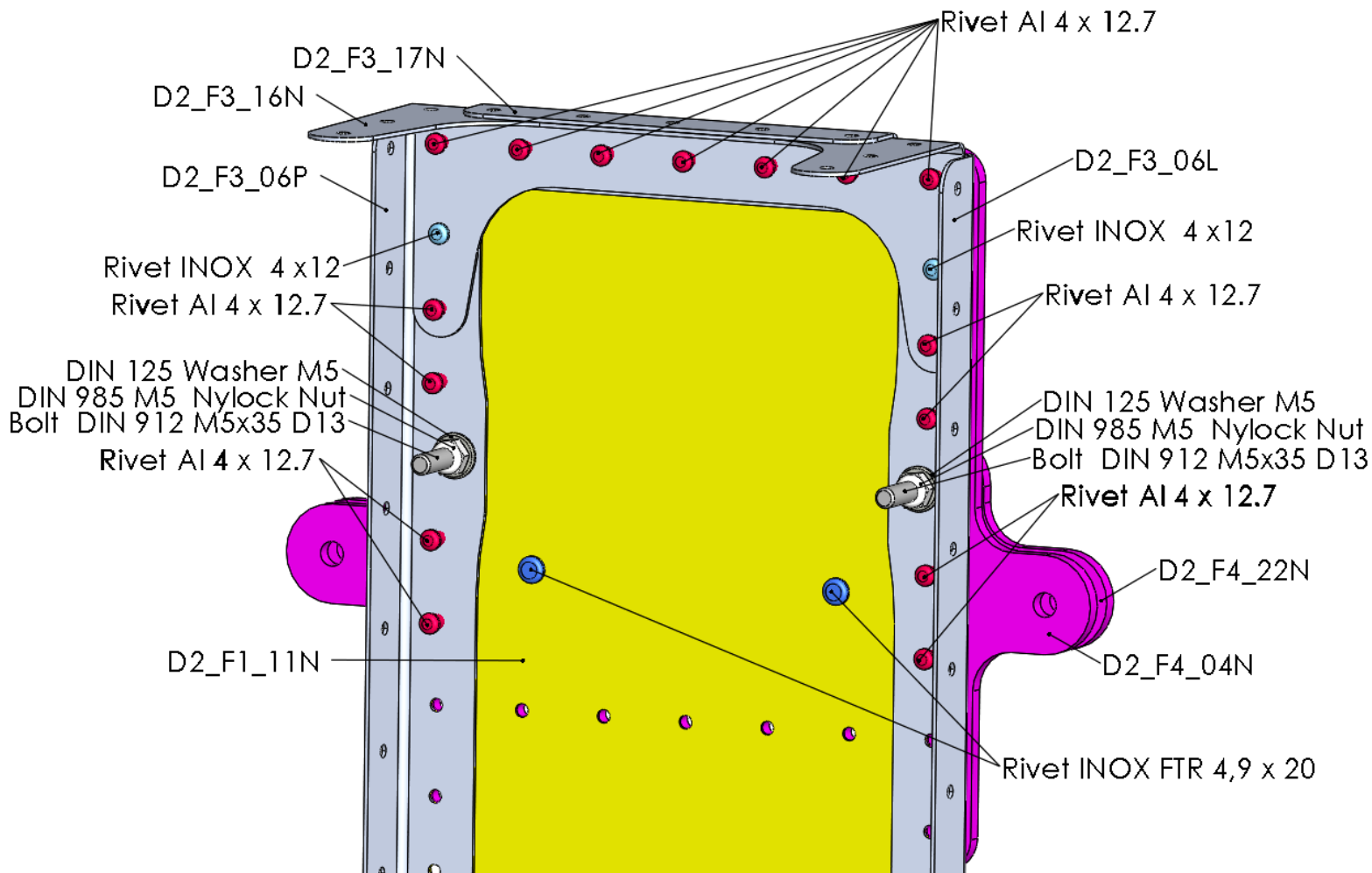
Step 15



Title	Document no.	Revision	Page	Pages
Fuselage assembly manual	D2_F0_00	Rev. 03	115	414



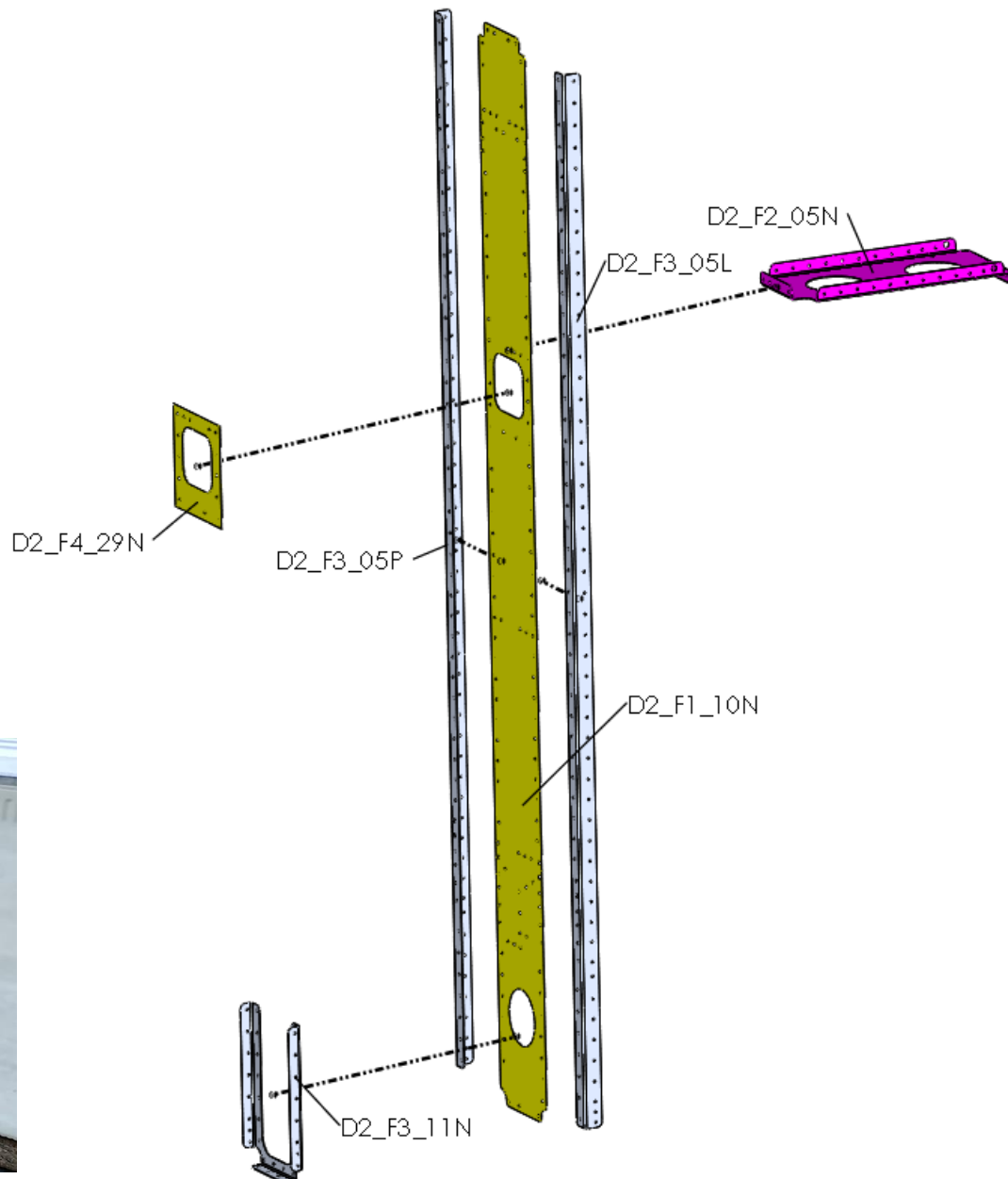
Step 15-A



Title	Document no.	Revision	Page	Pages
Fuselage assembly manual	D2_F0_00	Rev. 03	116	414



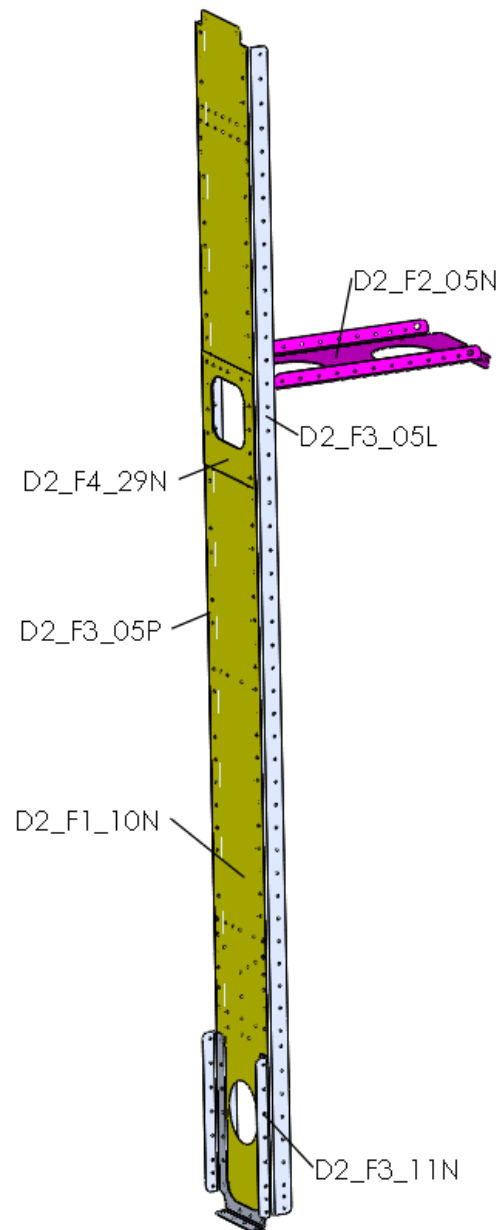
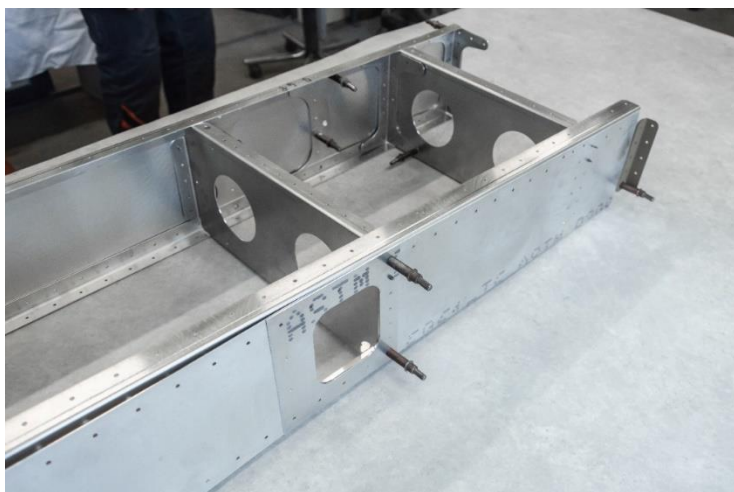
Step 16



Title	Document no.	Revision	Page	Pages
Fuselage assembly manual	D2_F0_00	Rev. 03	117	414



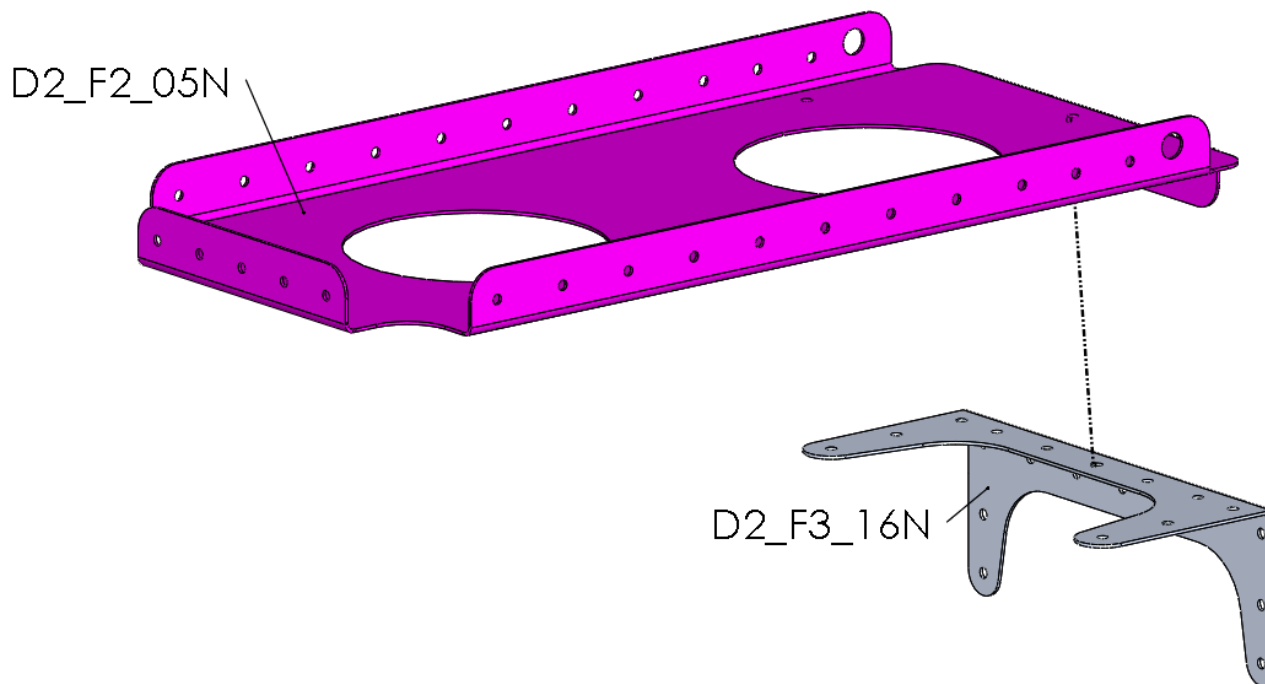
Step 17



Title	Document no.	Revision	Page	Pages
Fuselage assembly manual	D2_F0_00	Rev. 03	118	414



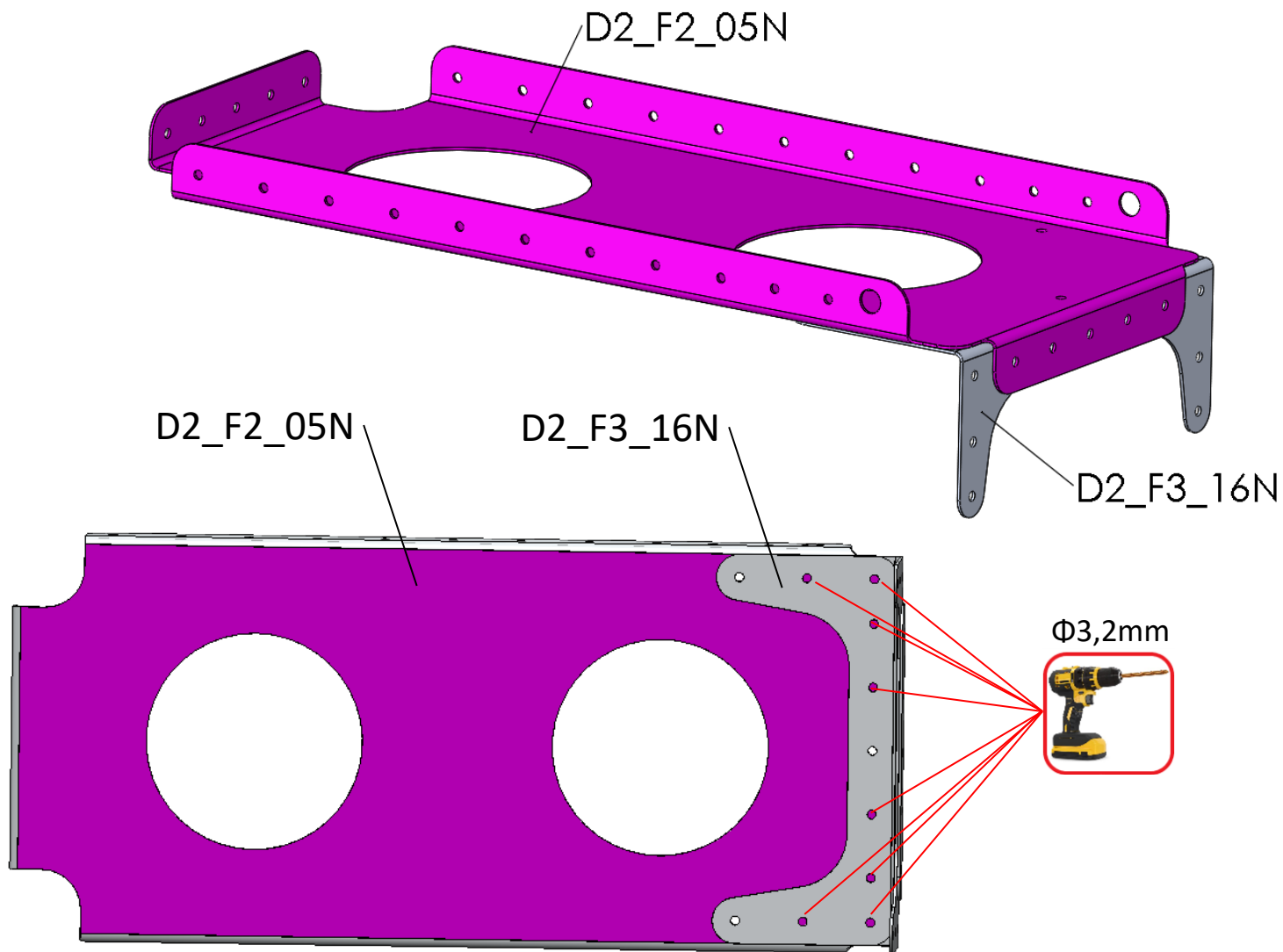
Step 18



Title	Document no.	Revision	Page	Pages
Fuselage assembly manual	D2_F0_00	Rev. 03	119	414



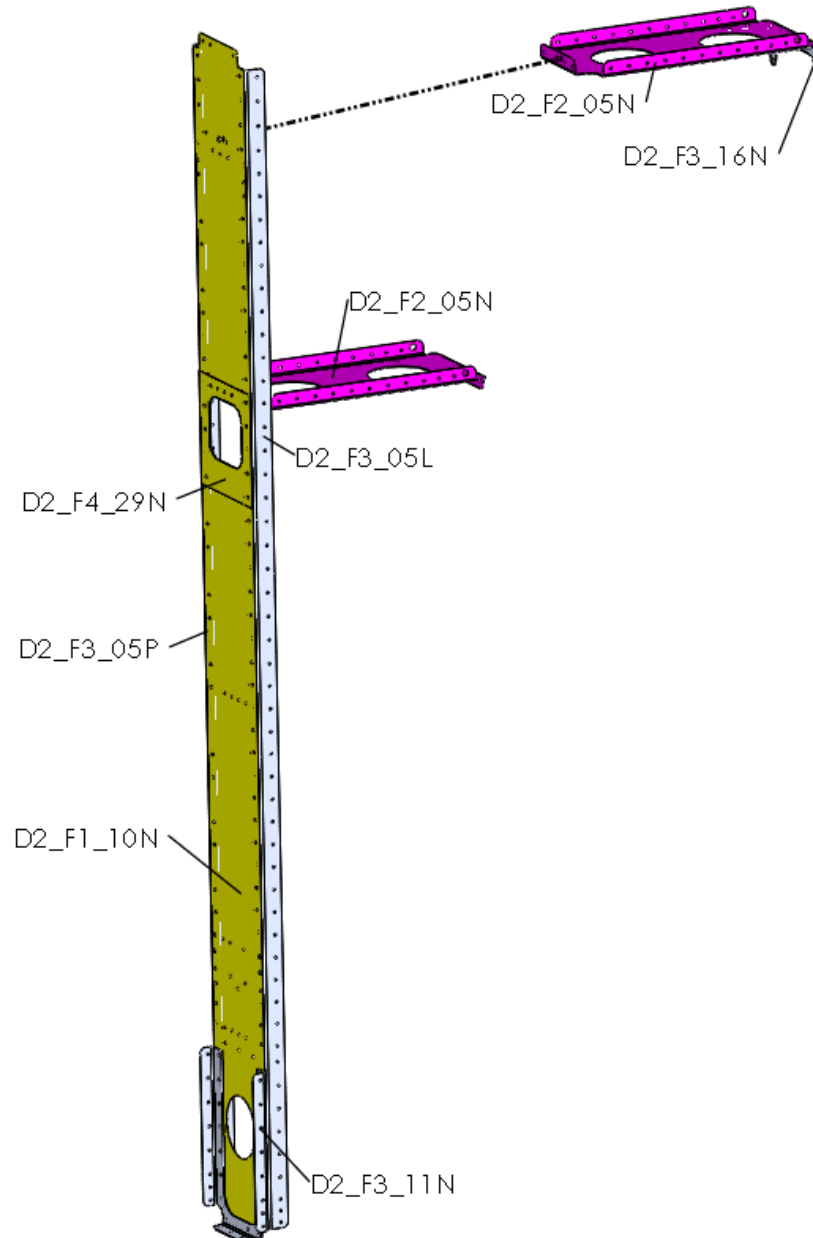
Step 19



Title	Document no.	Revision	Page	Pages
Fuselage assembly manual	D2_F0_00	Rev. 03	120	414



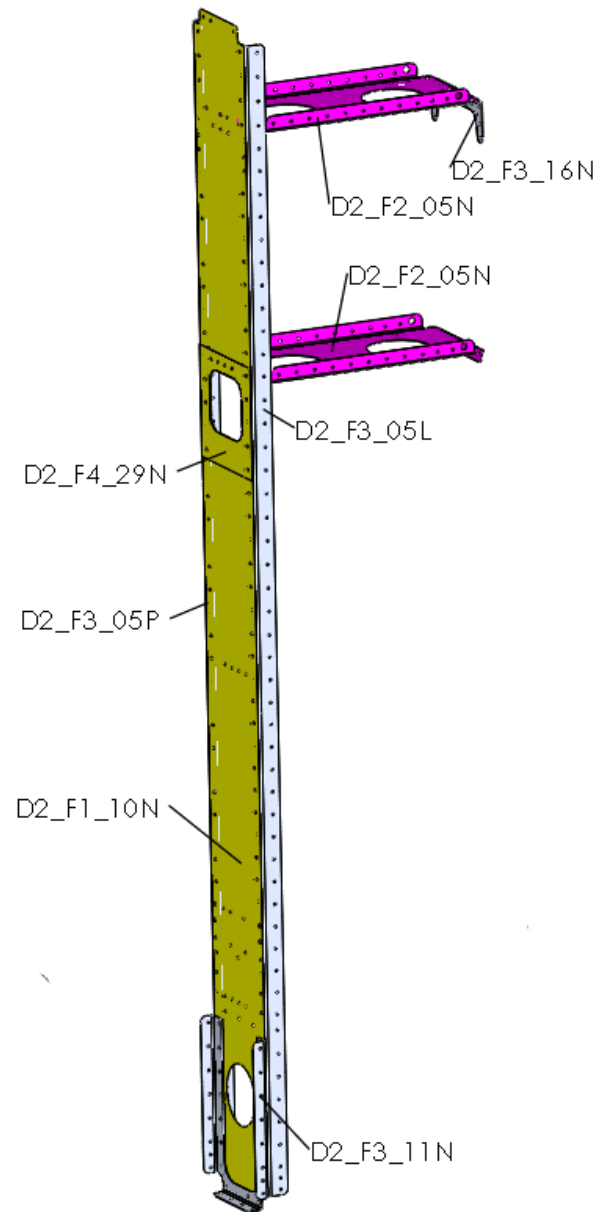
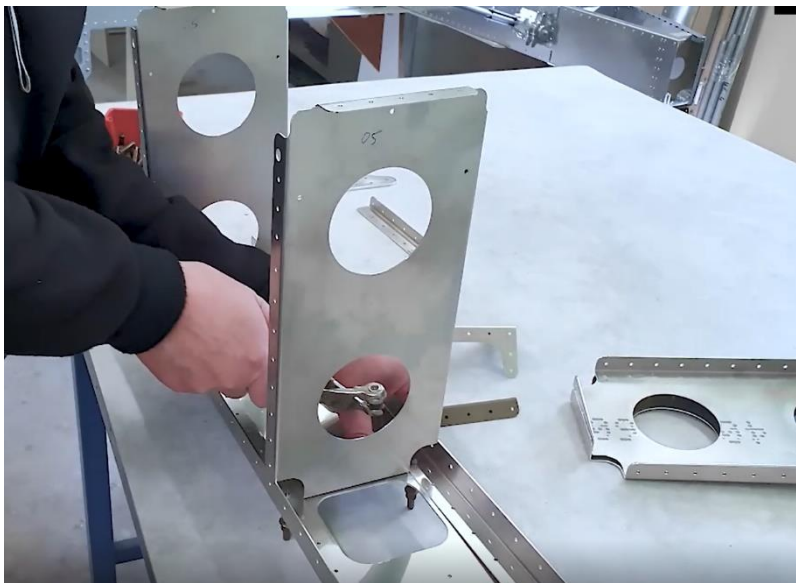
Step 20



Title	Document no.	Revision	Page	Pages
Fuselage assembly manual	D2_F0_00	Rev. 03	121	414



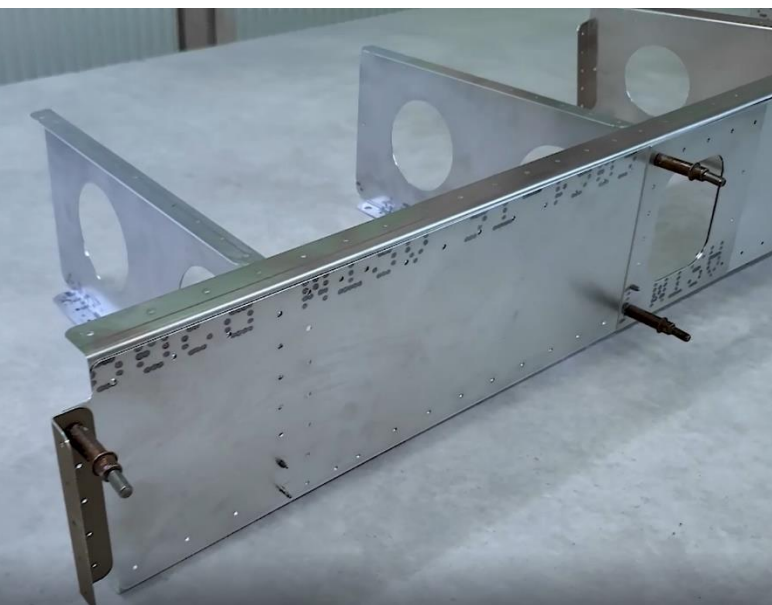
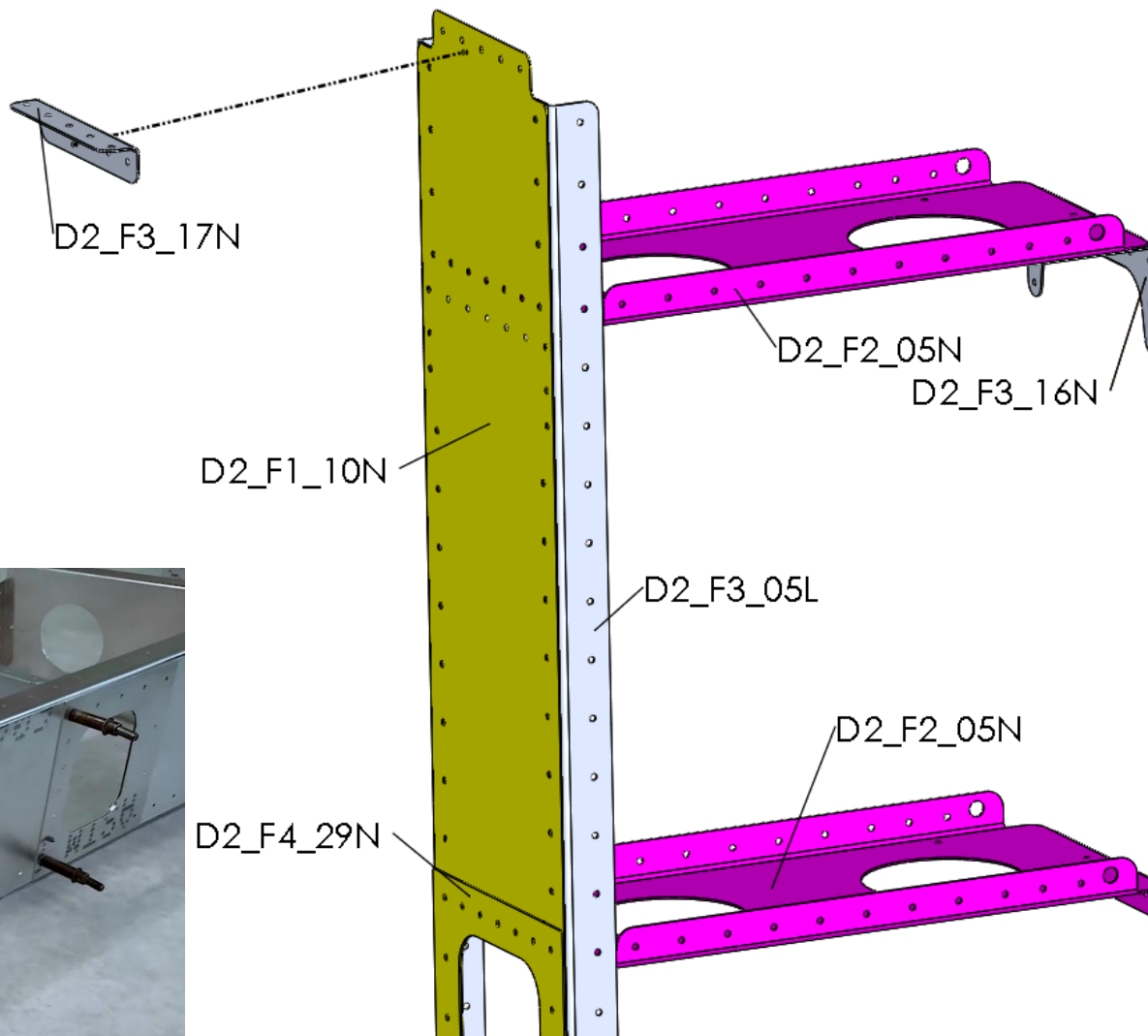
Step 21



Title	Document no.	Revision	Page	Pages
Fuselage assembly manual	D2_F0_00	Rev. 03	122	414



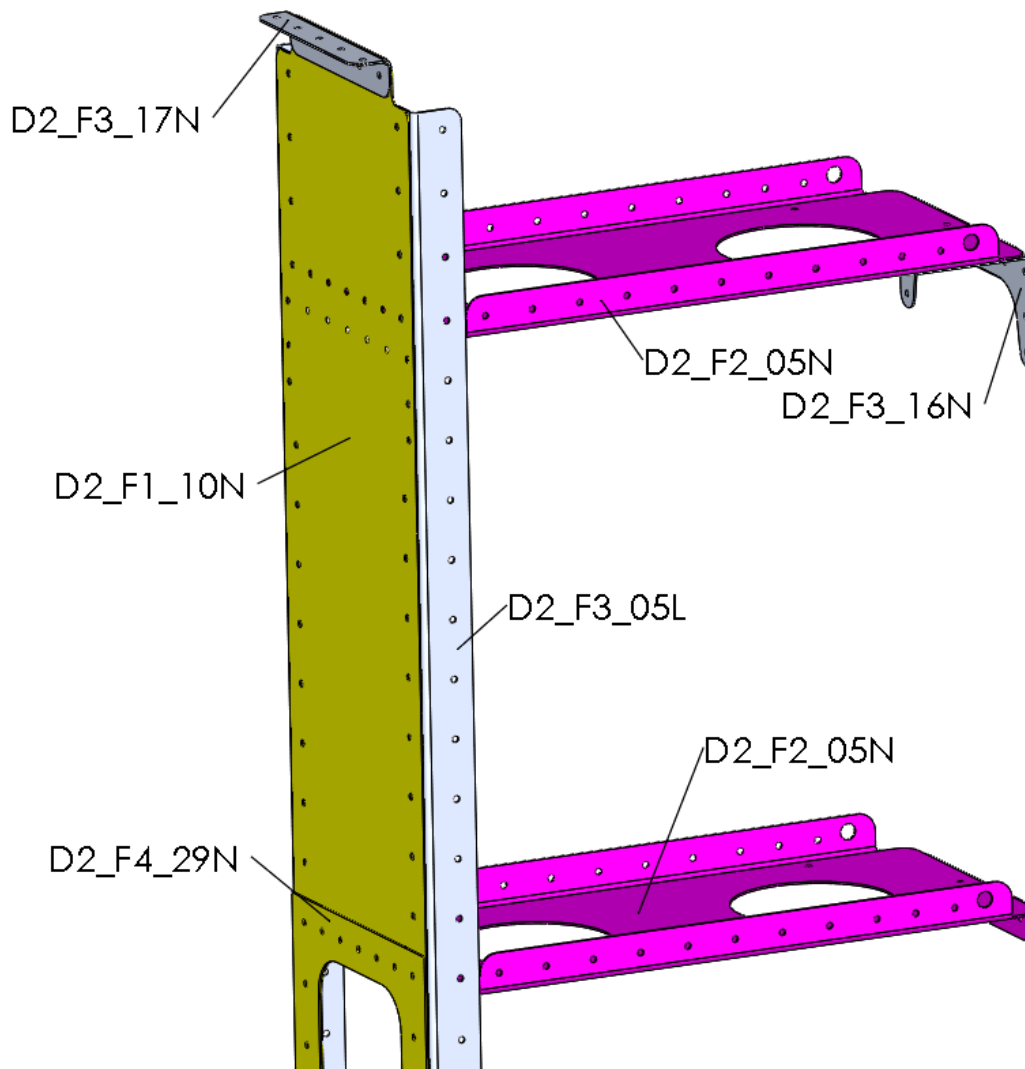
Step 22



Title	Document no.	Revision	Page	Pages
Fuselage assembly manual	D2_F0_00	Rev. 03	123	414



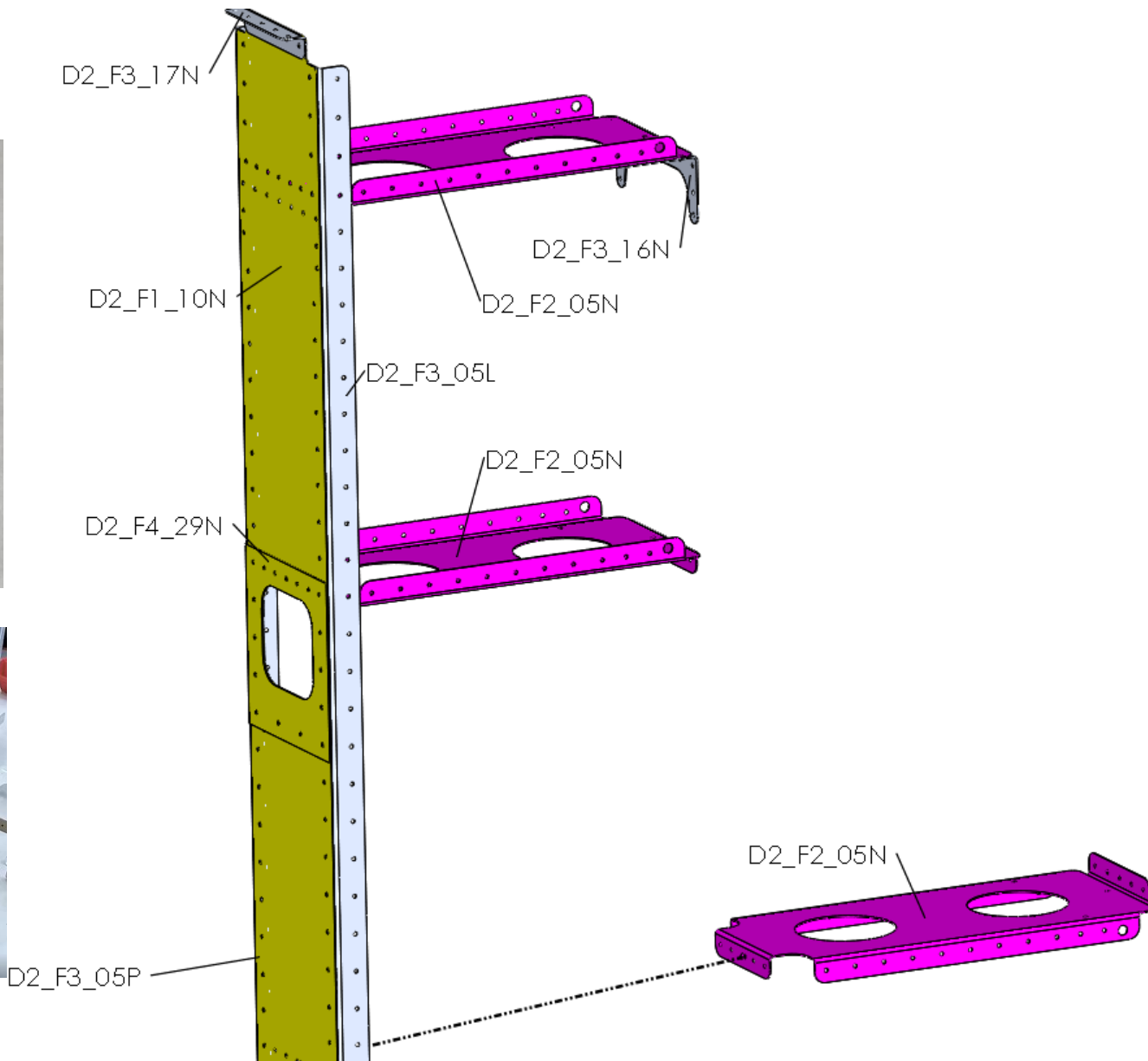
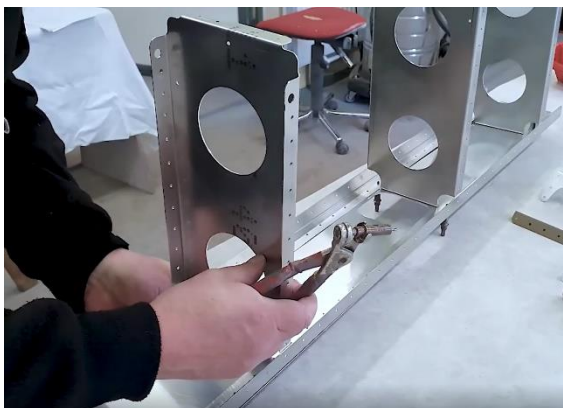
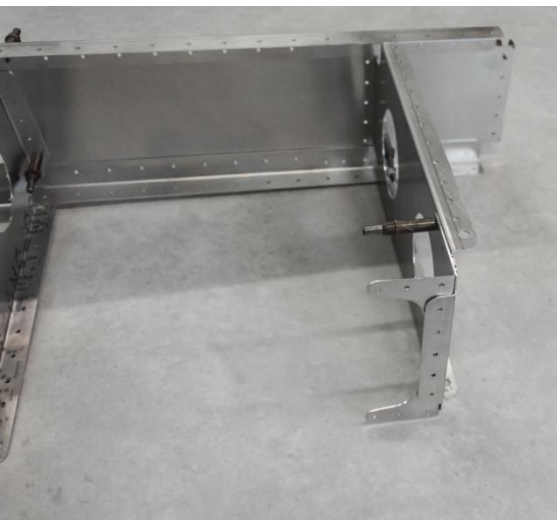
Step 23



Title	Document no.	Revision	Page	Pages
Fuselage assembly manual	D2_F0_00	Rev. 03	124	414



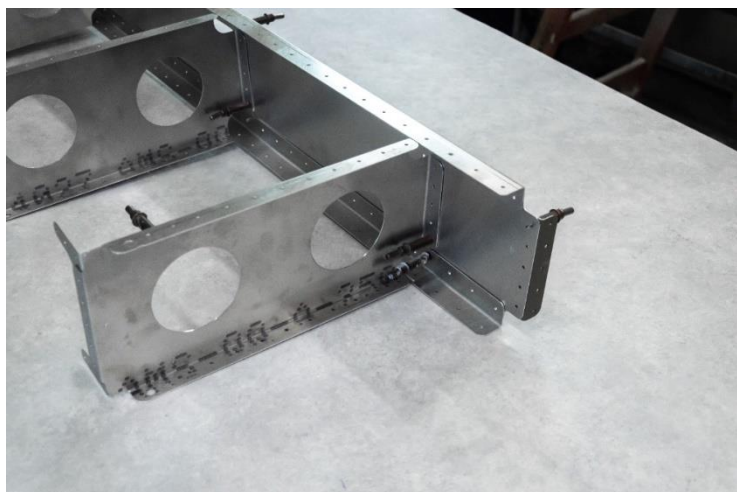
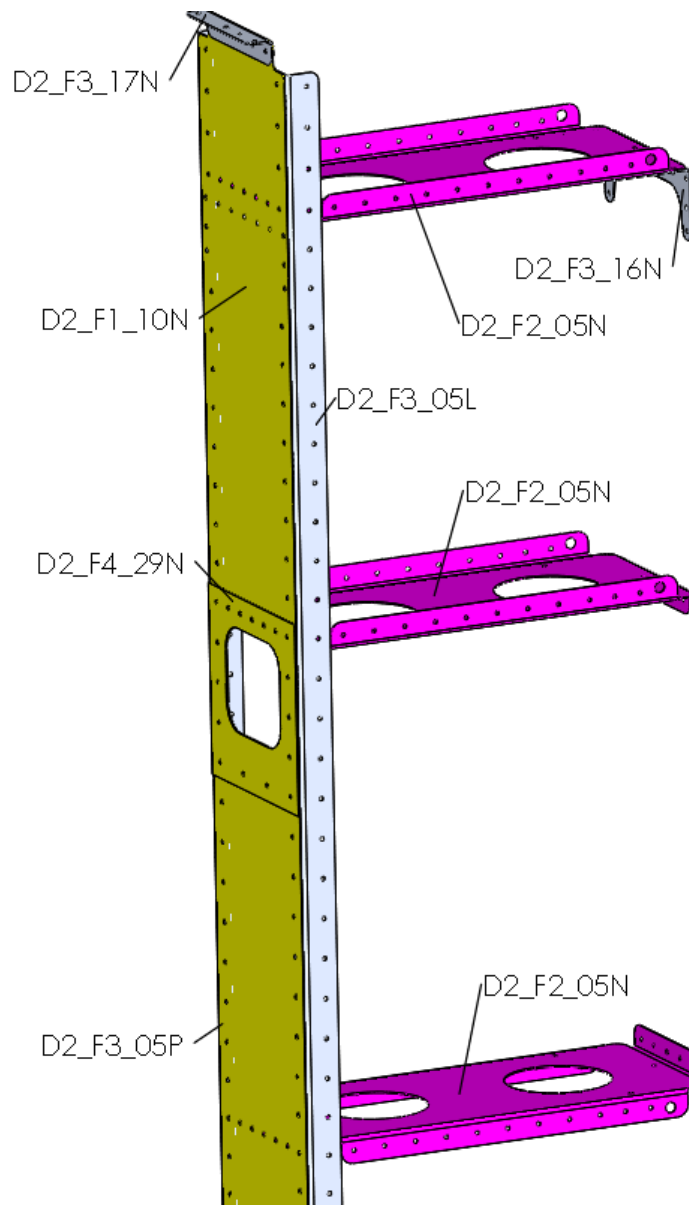
Step 24



Title	Document no.	Revision	Page	Pages
Fuselage assembly manual	D2_F0_00	Rev. 03	125	414



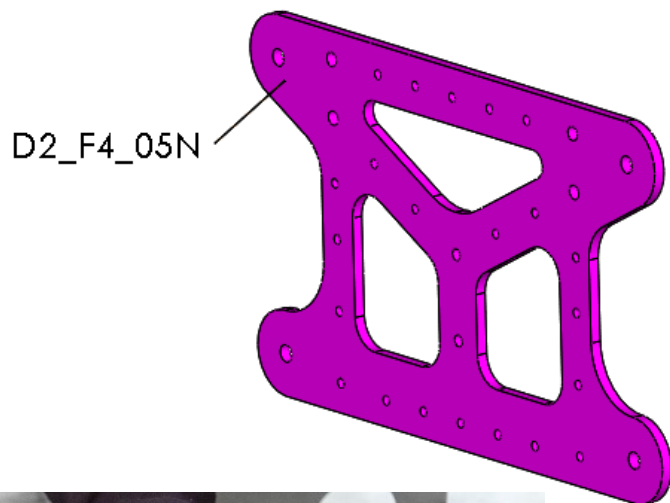
Step 25



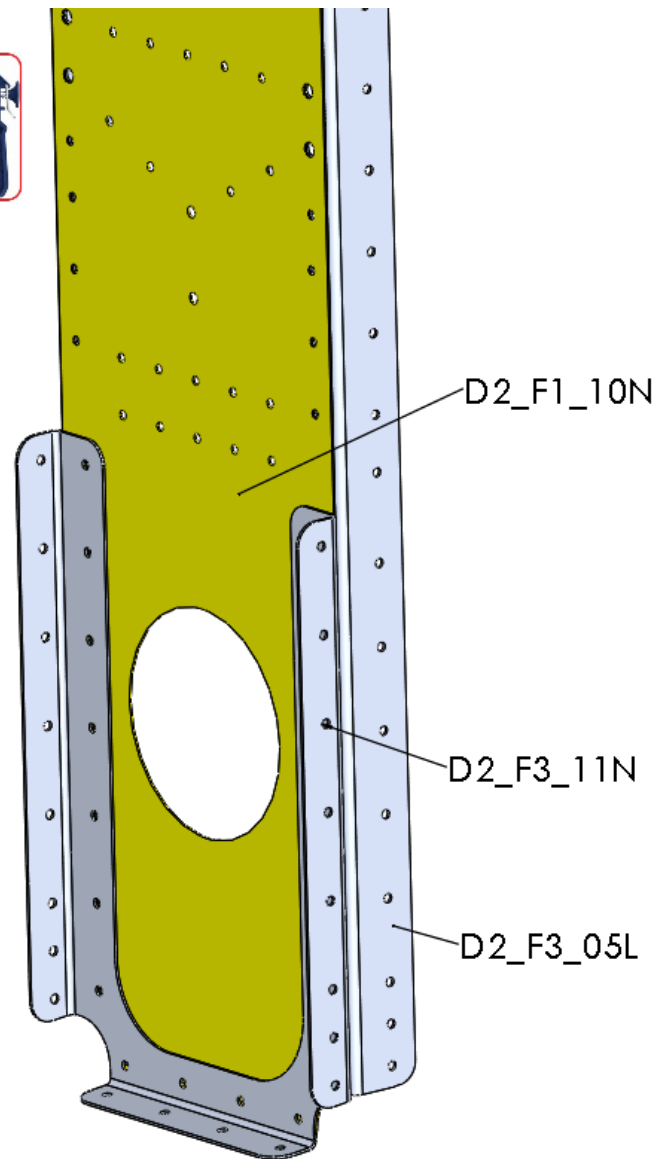
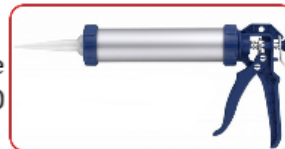
Title	Document no.	Revision	Page	Pages
Fuselage assembly manual	D2_F0_00	Rev. 03	126	414



Step 26



Polyurethane adhesive
Emfimastic PU-50



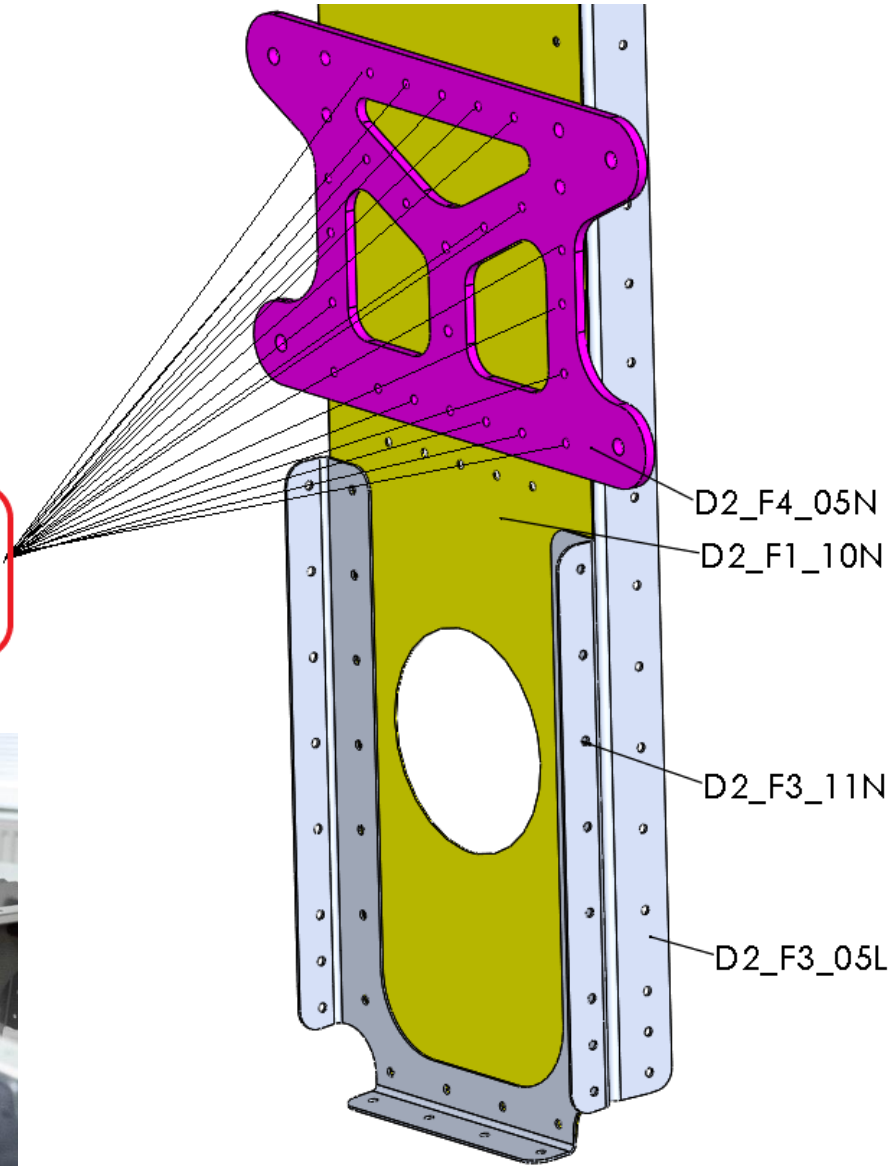
Title	Document no.	Revision	Page	Pages
Fuselage assembly manual	D2_F0_00	Rev. 03	127	414



Step 27



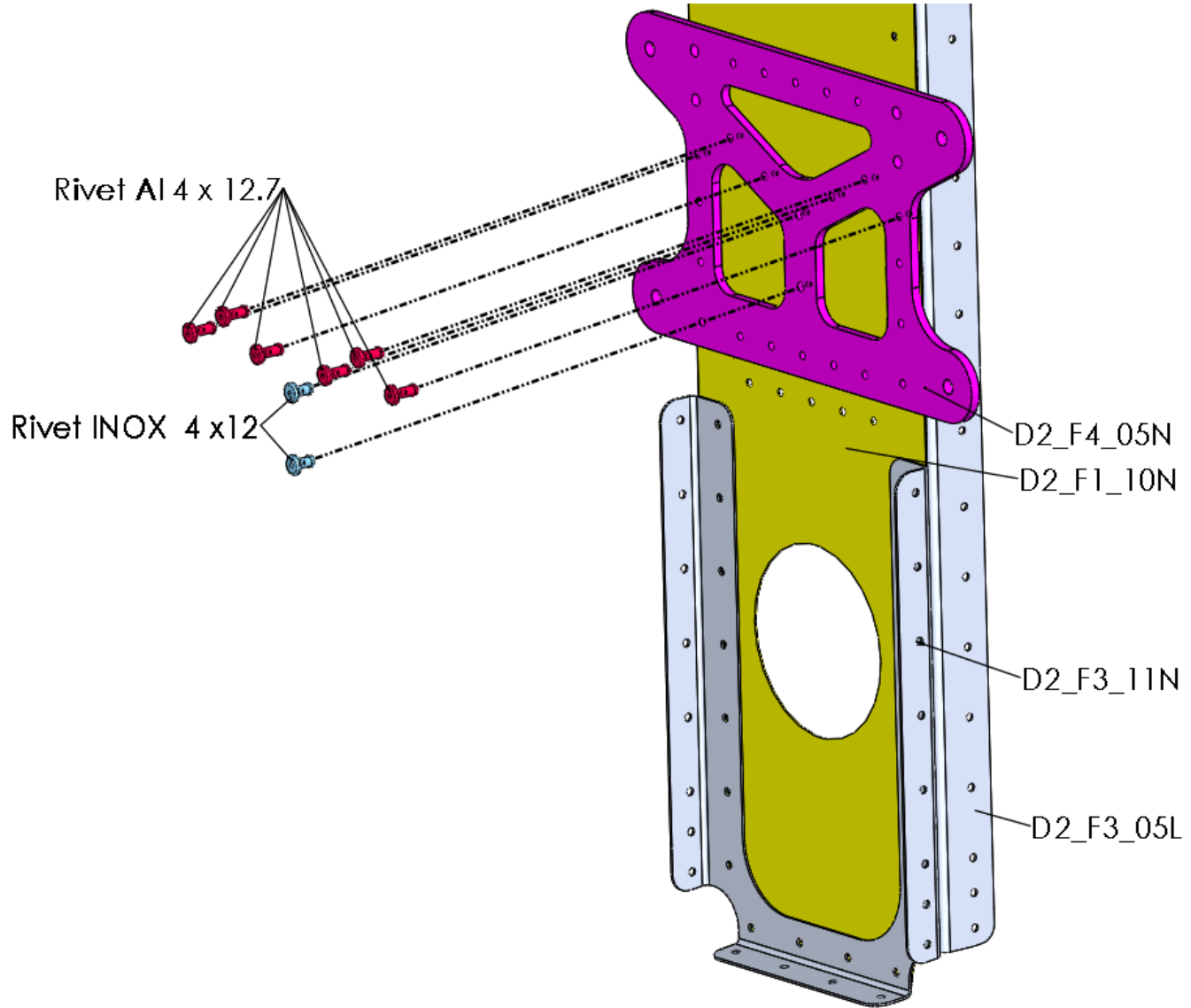
22x Hole Ø4mm



Title	Document no.	Revision	Page	Pages
Fuselage assembly manual	D2_F0_00	Rev. 03	128	414



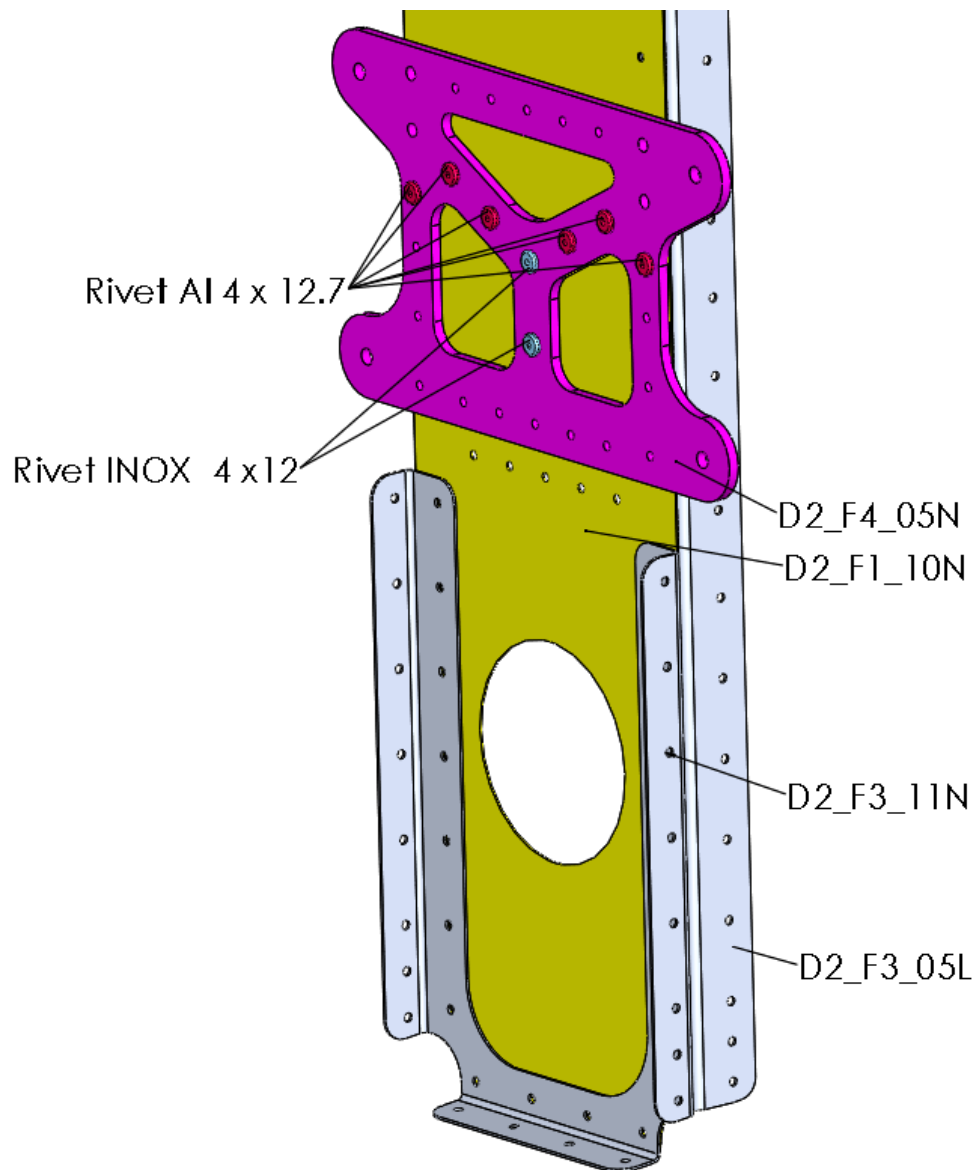
Step 28



Title	Document no.	Revision	Page	Pages
Fuselage assembly manual	D2_F0_00	Rev. 03	129	414



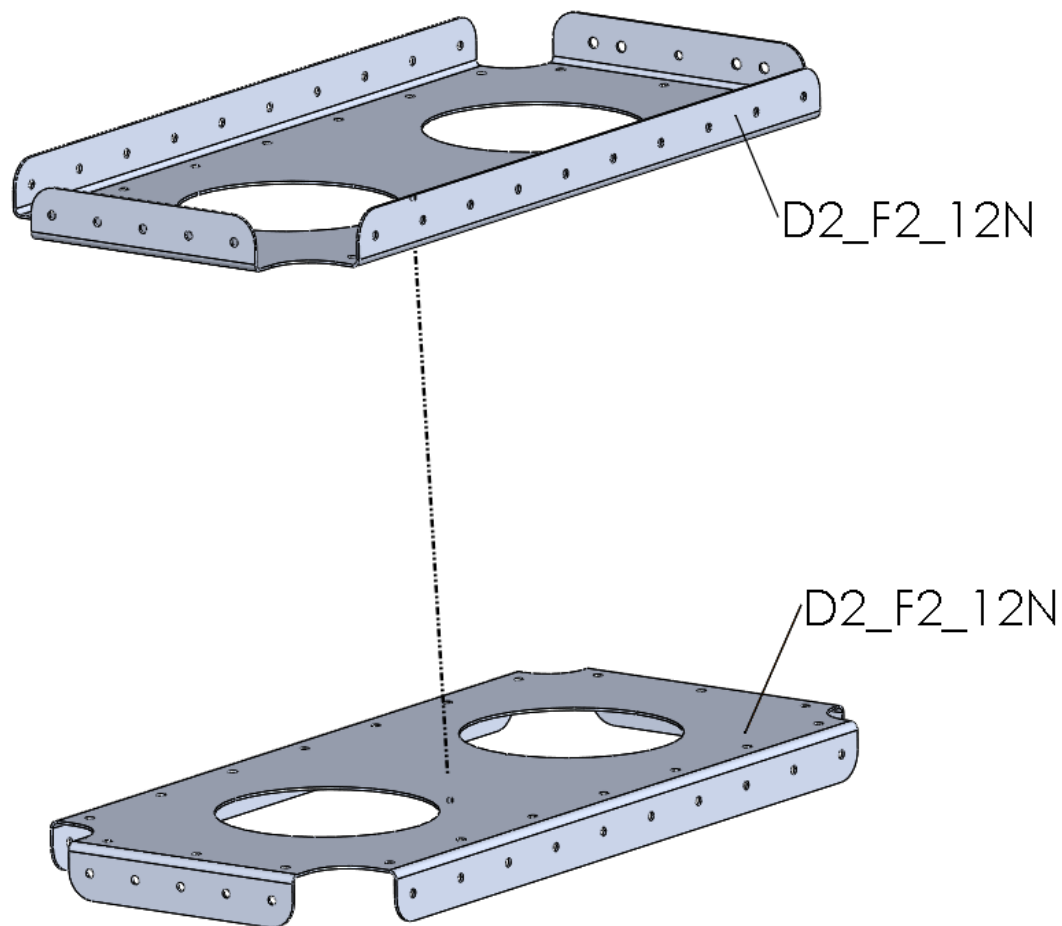
Step 29



Title	Document no.	Revision	Page	Pages
Fuselage assembly manual	D2_F0_00	Rev. 03	130	414



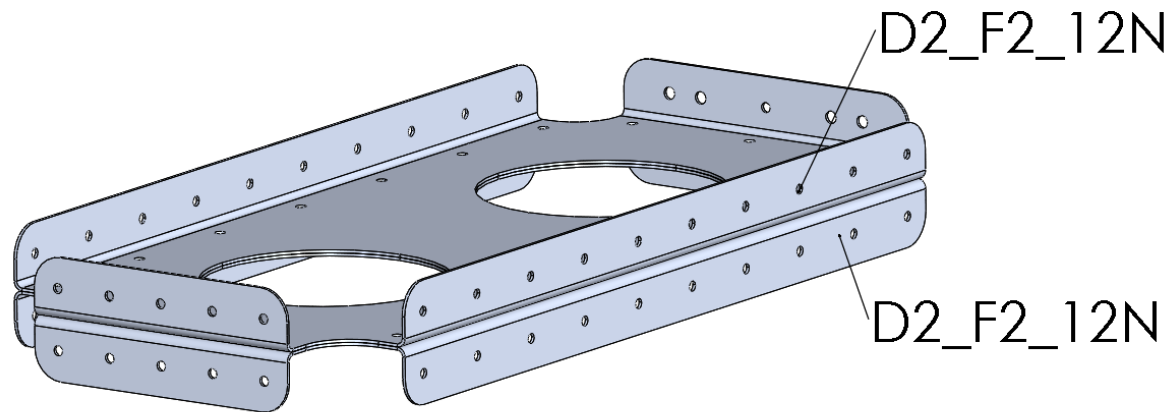
Step 30



Title	Document no.	Revision	Page	Pages
Fuselage assembly manual	D2_F0_00	Rev. 03	131	414



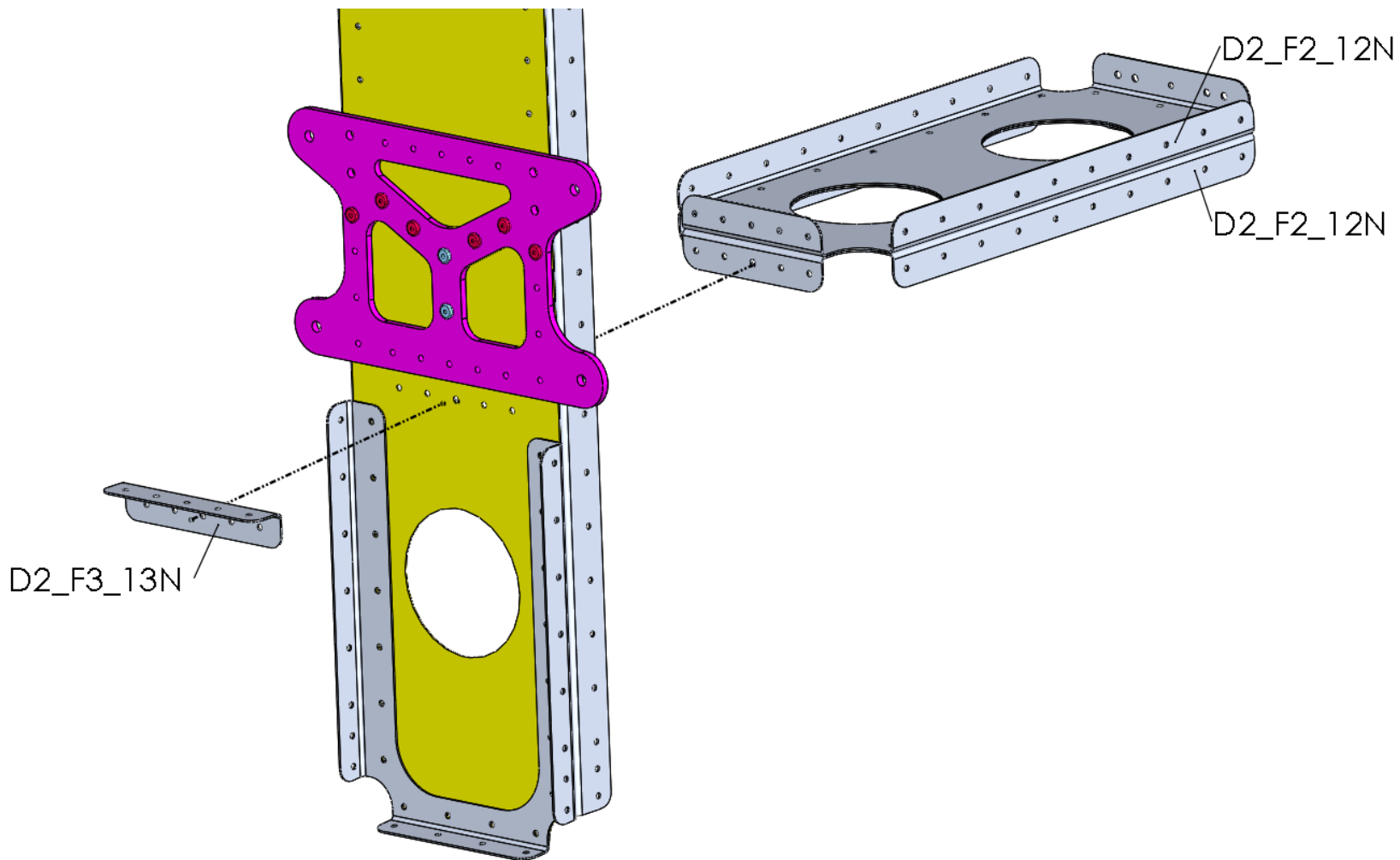
Step 31



Title	Document no.	Revision	Page	Pages
Fuselage assembly manual	D2_F0_00	Rev. 03	132	414



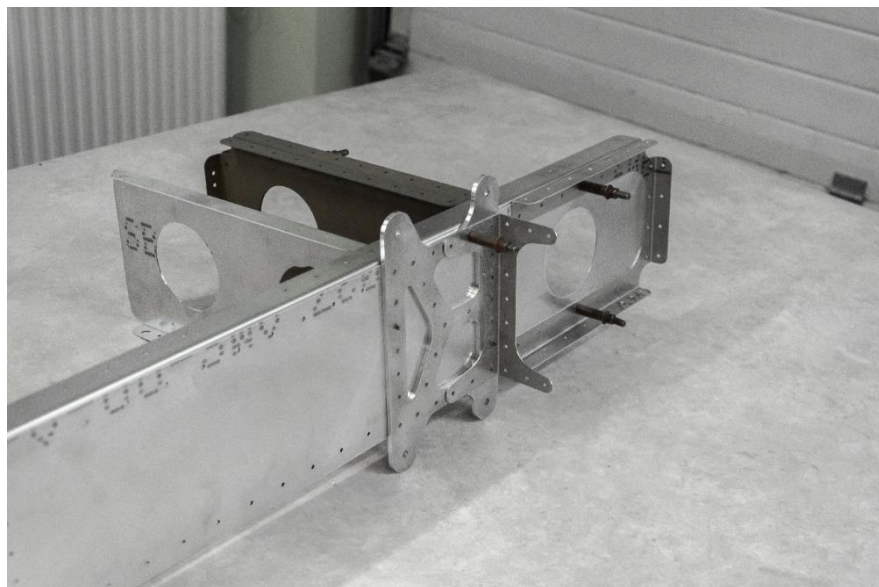
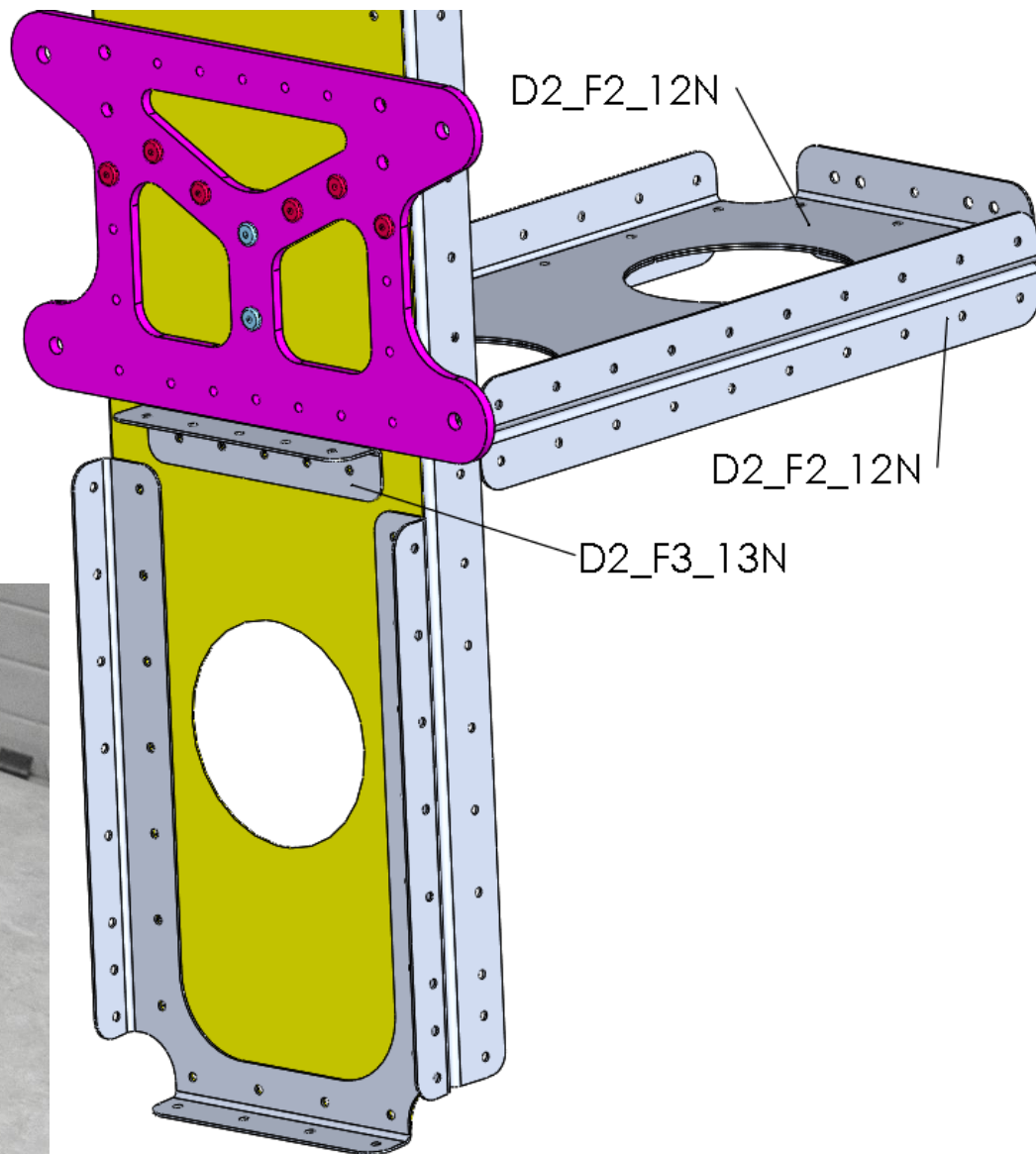
Step 32



Title	Document no.	Revision	Page	Pages
Fuselage assembly manual	D2_F0_00	Rev. 03	133	414



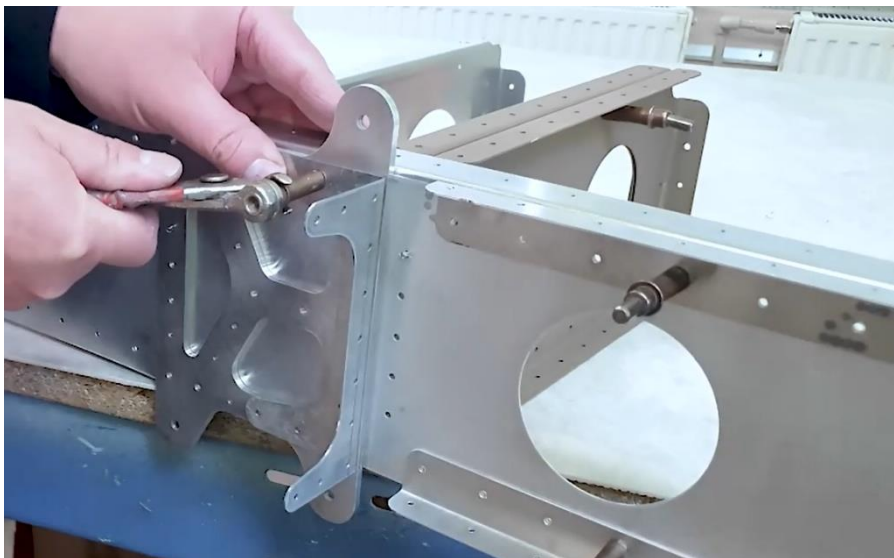
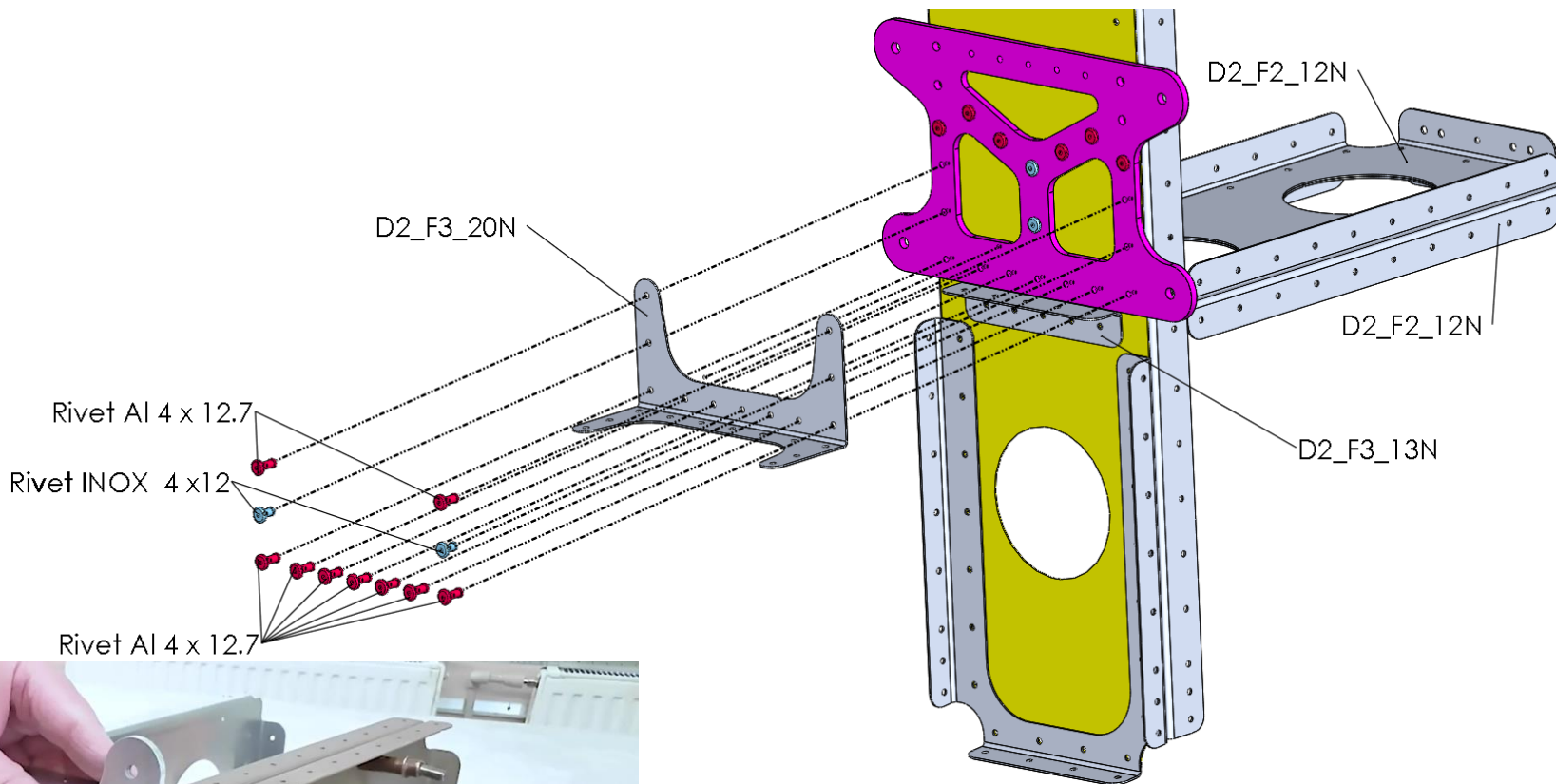
Step 33



Title	Document no.	Revision	Page	Pages
Fuselage assembly manual	D2_F0_00	Rev. 03	134	414



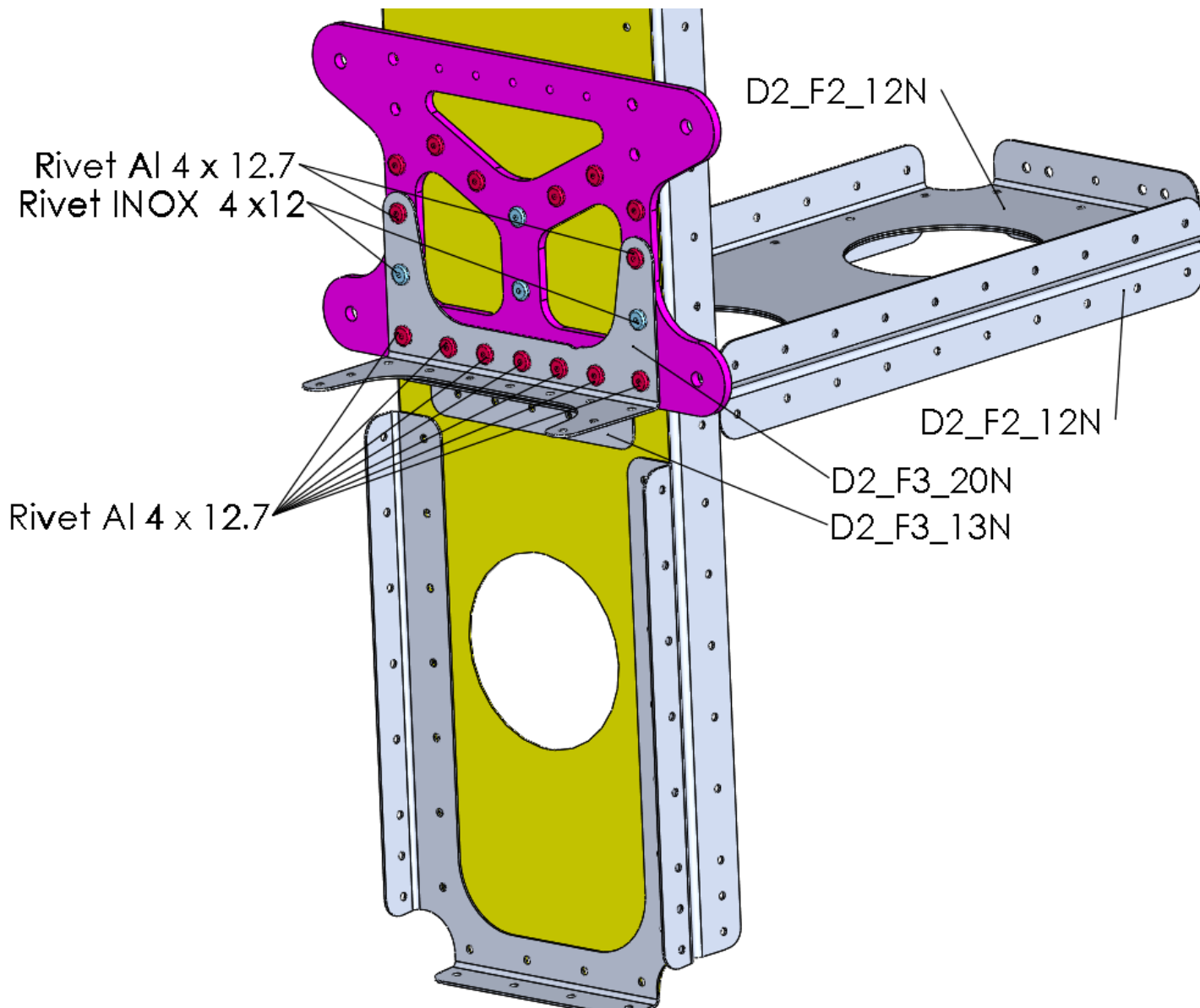
Step 34



Title	Document no.	Revision	Page	Pages
Fuselage assembly manual	D2_F0_00	Rev. 03	135	414



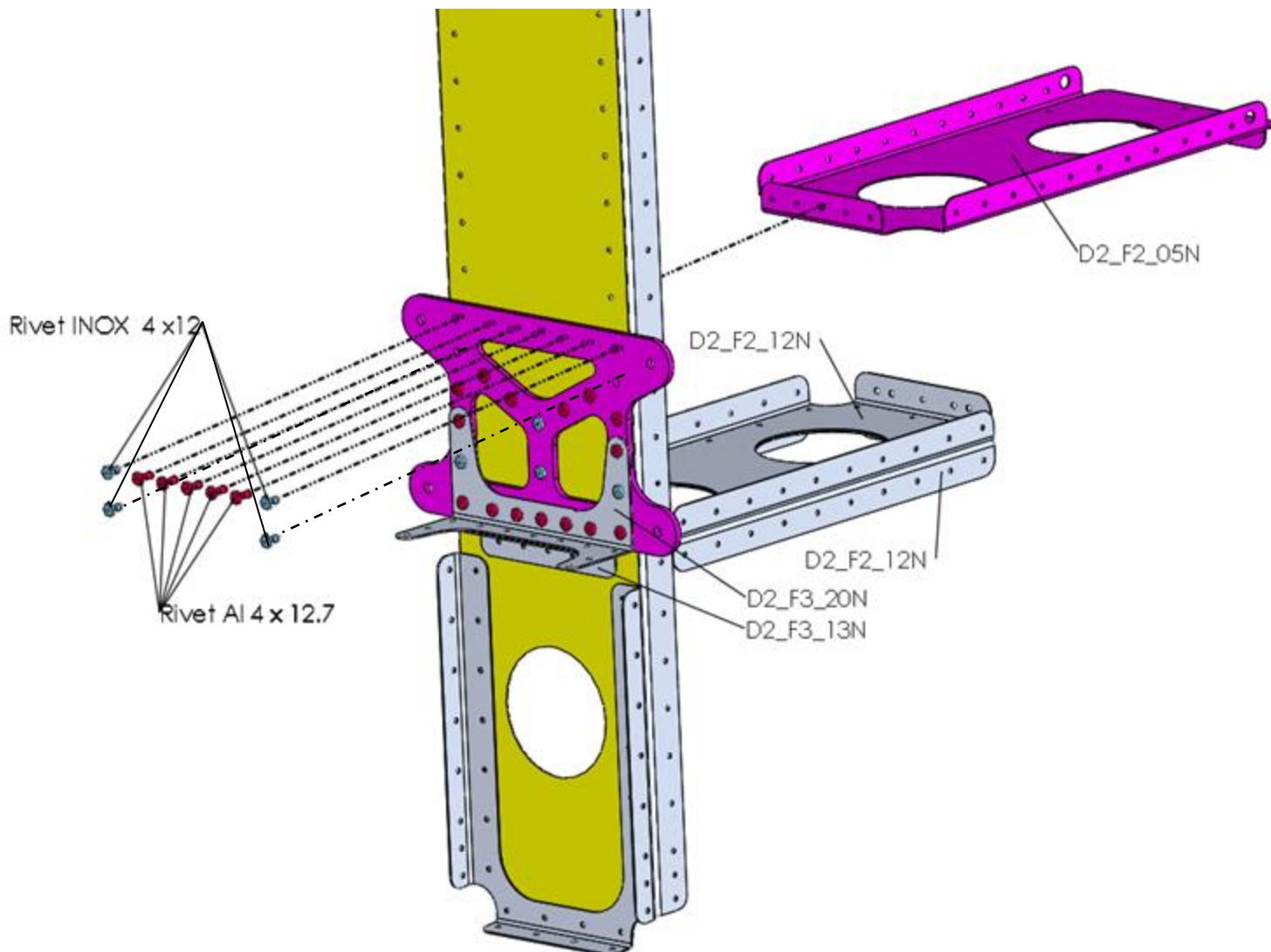
Step 35



Title	Document no.	Revision	Page	Pages
Fuselage assembly manual	D2_F0_00	Rev. 03	136	414



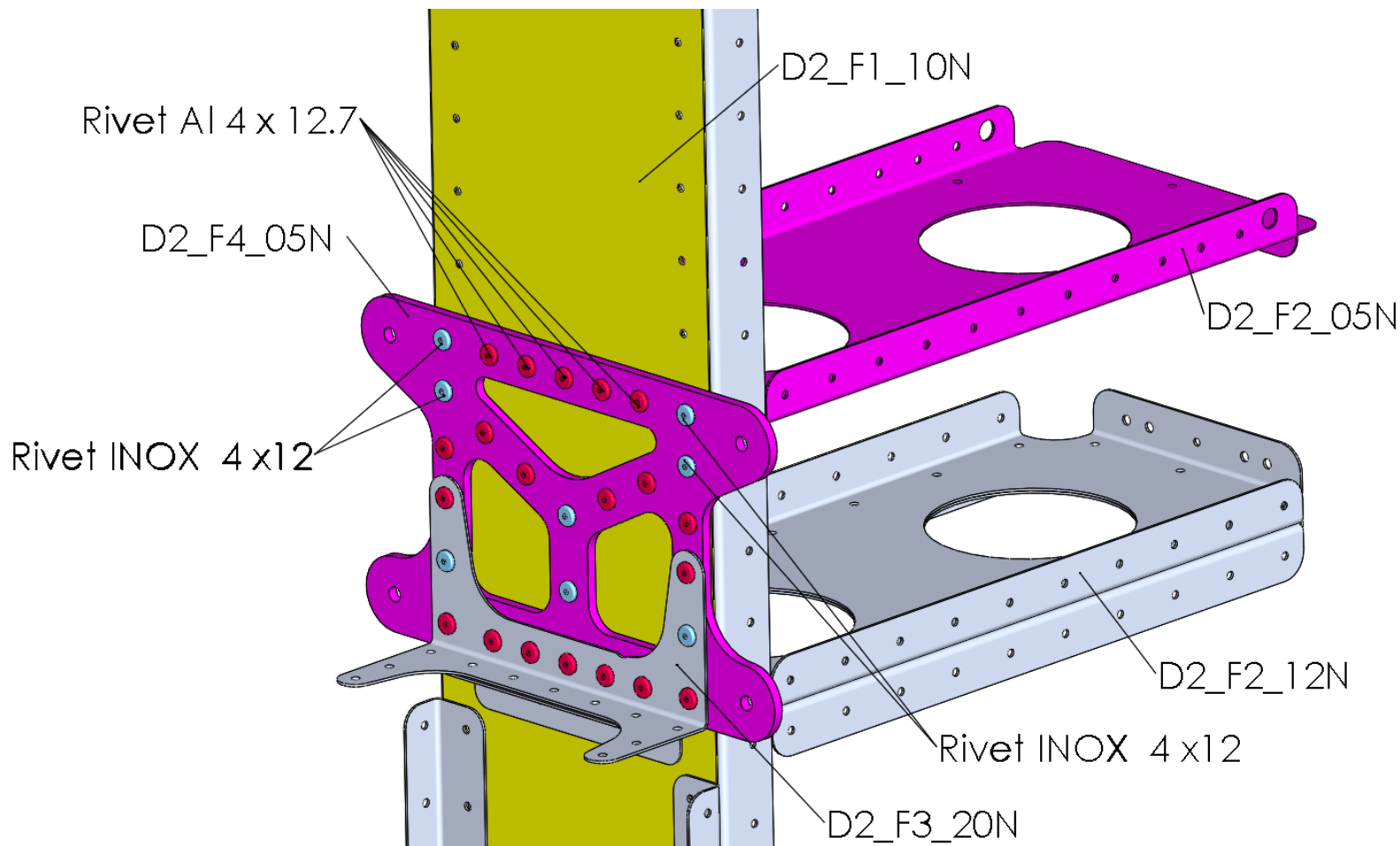
Step 36



Title	Document no.	Revision	Page	Pages
Fuselage assembly manual	D2_F0_00	Rev. 03	137	414



Step 37

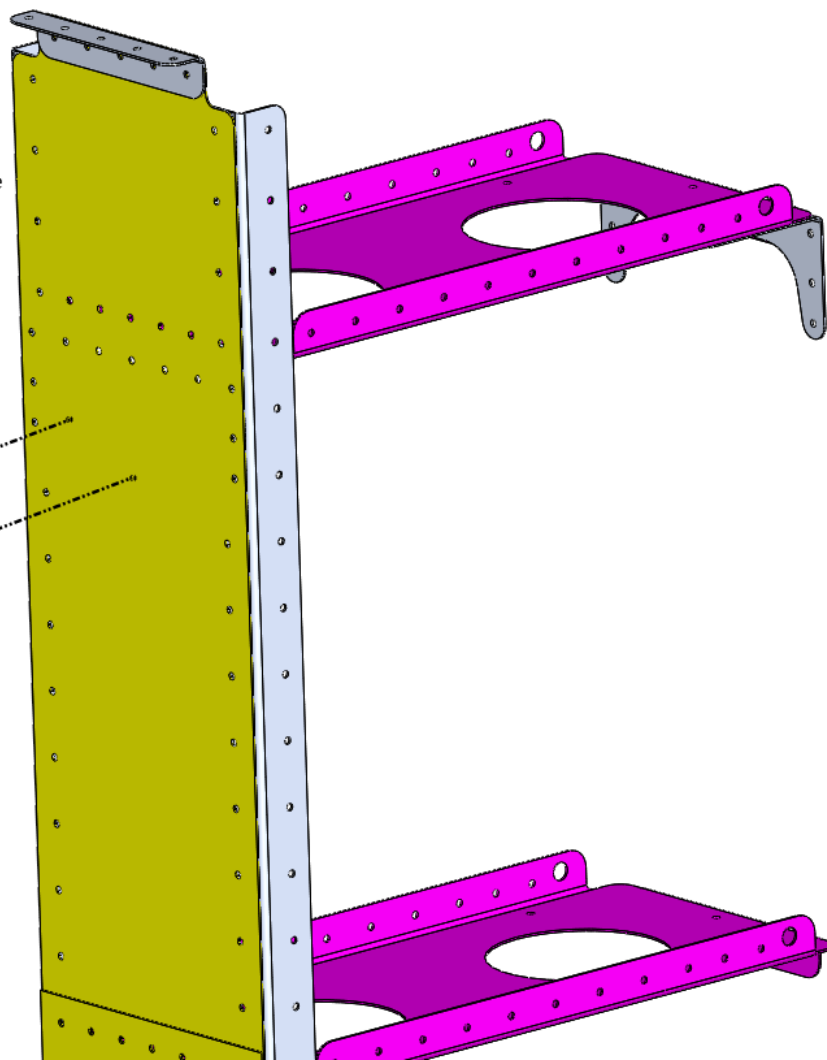


Title	Document no.	Revision	Page	Pages
Fuselage assembly manual	D2_F0_00	Rev. 03	138	414



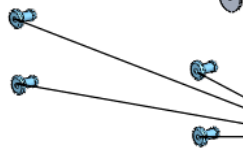
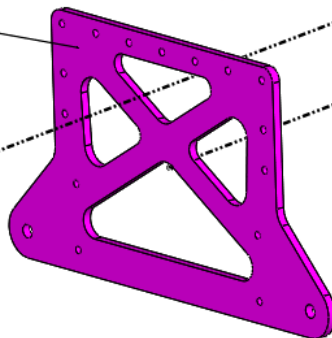
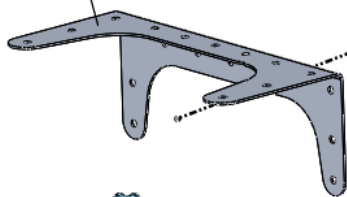
Step 38

Polyurethane adhesive
Emfimastic PU-50

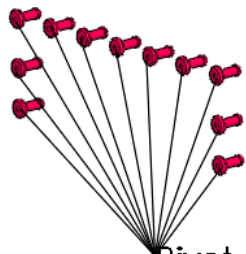


D2_F4_26N

D2_F3_20N



Rivet INOX 4 x 12



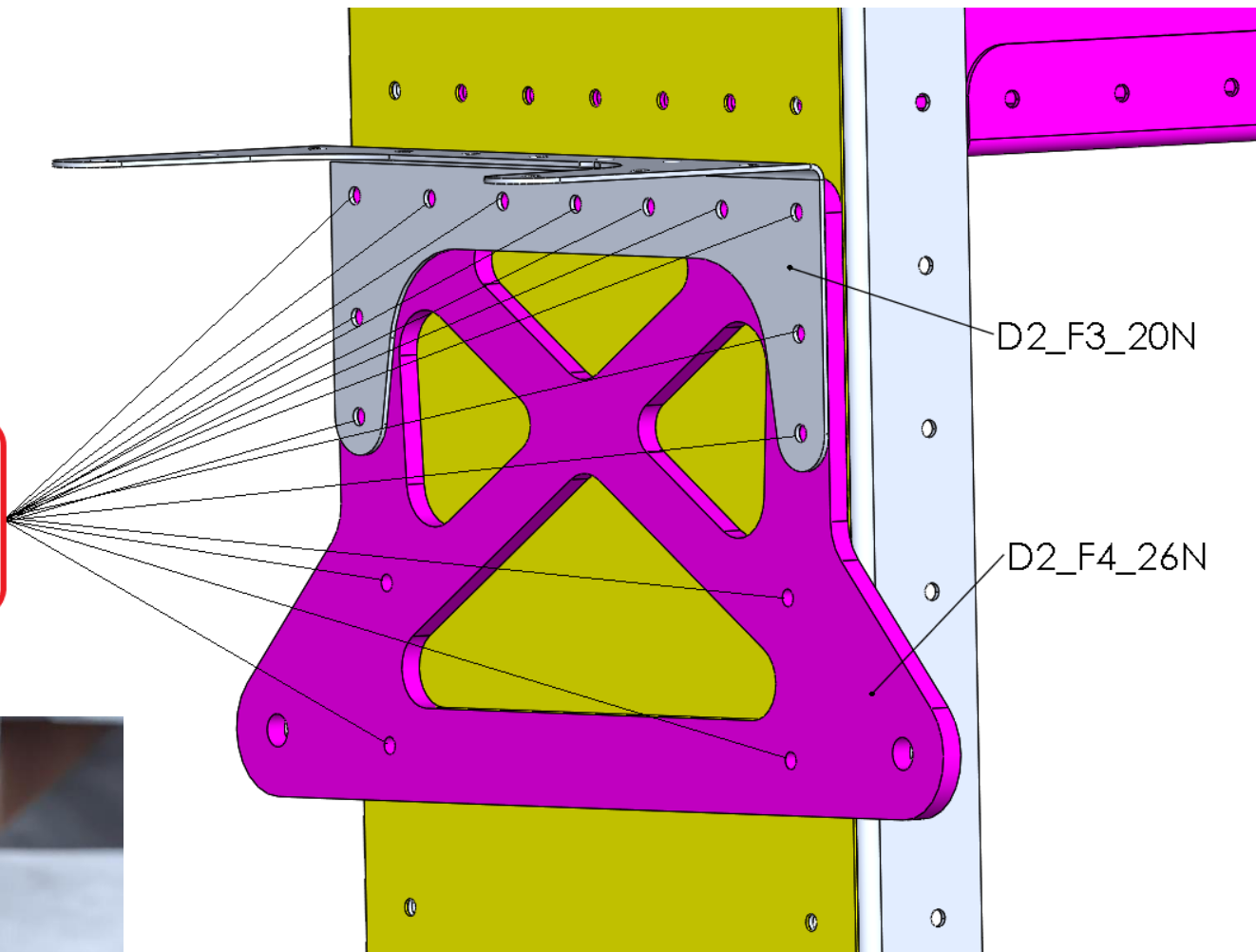
Rivet Al 4 x 12.7

Title	Document no.	Revision	Page	Pages
Fuselage assembly manual	D2_F0_00	Rev. 03	139	414



Step 39

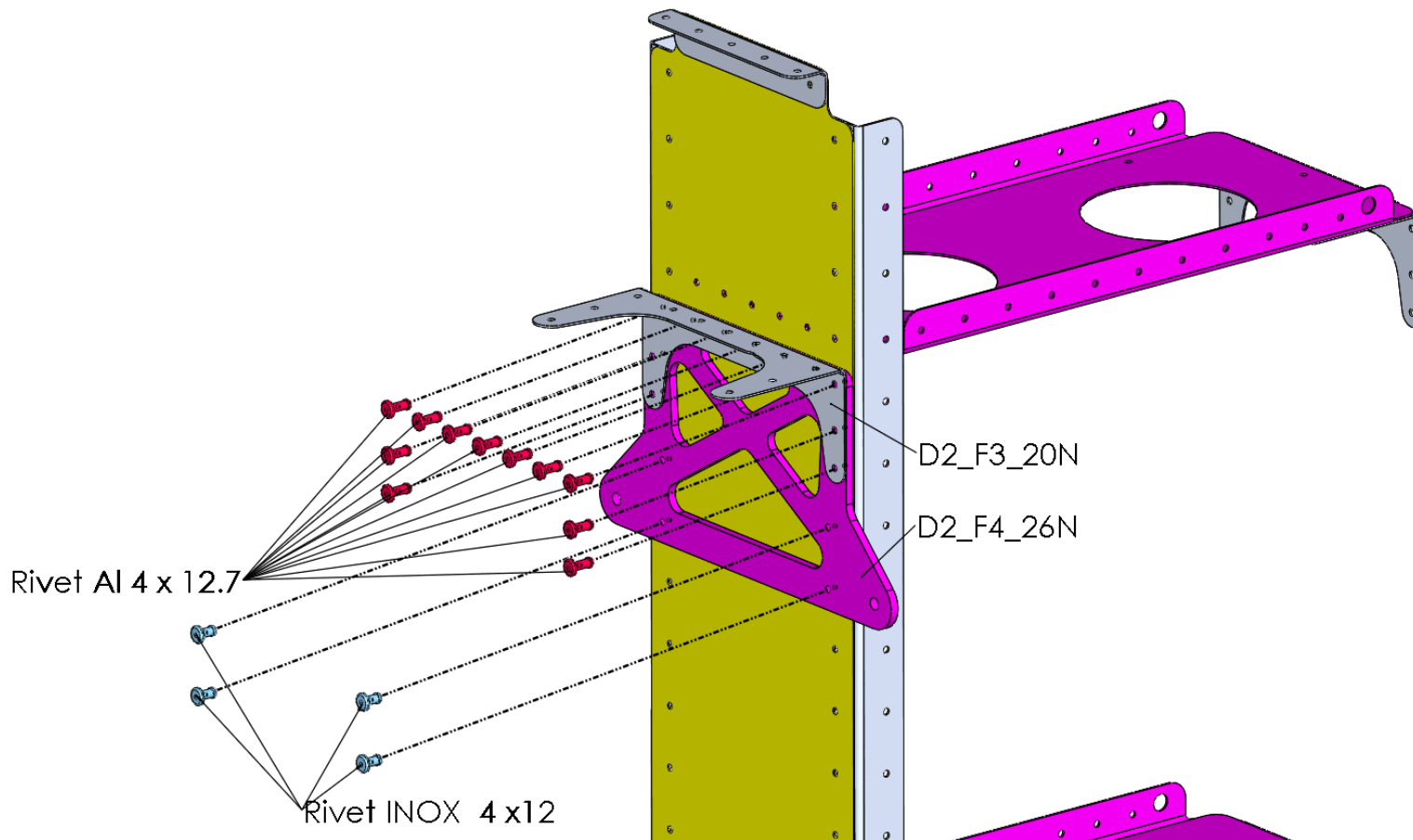
Hole Ø4mm



Title	Document no.	Revision	Page	Pages
Fuselage assembly manual	D2_F0_00	Rev. 03	140	414



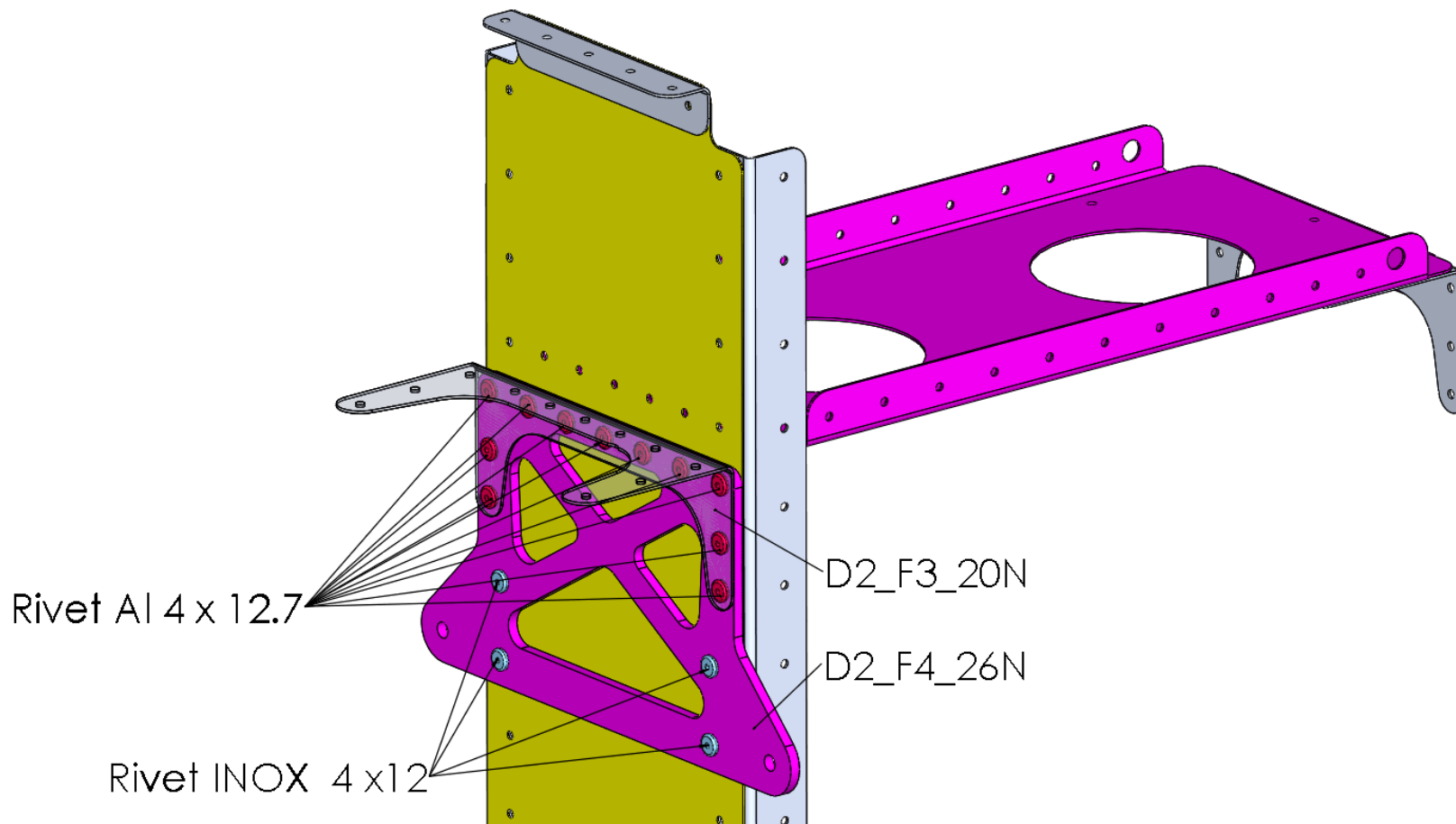
Step 40



Title	Document no.	Revision	Page	Pages
Fuselage assembly manual	D2_F0_00	Rev. 03	141	414



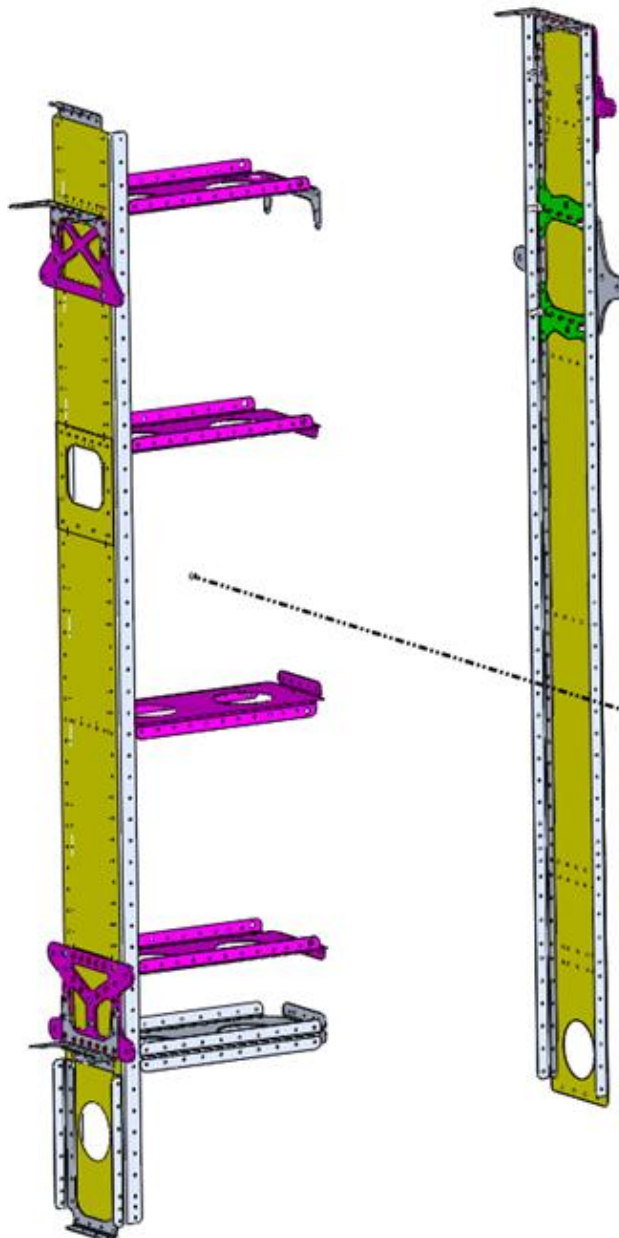
Step 41



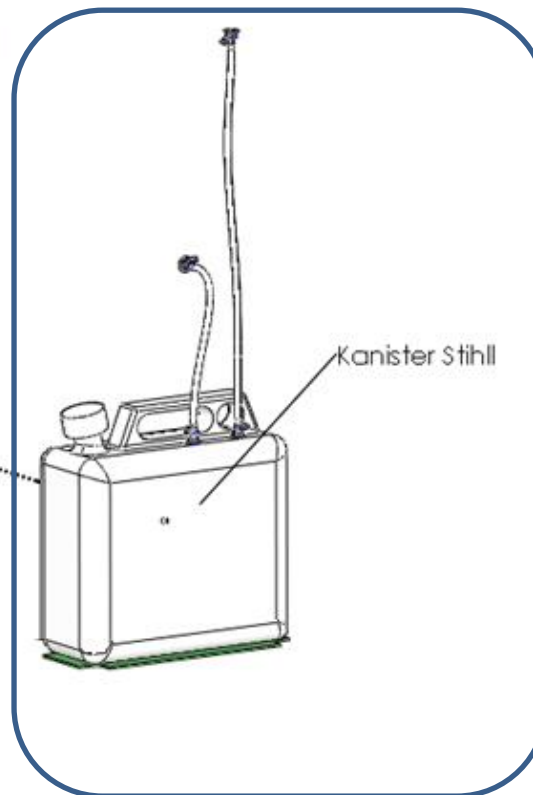
Title	Document no.	Revision	Page	Pages
Fuselage assembly manual	D2_F0_00	Rev. 03	142	414



Step 42



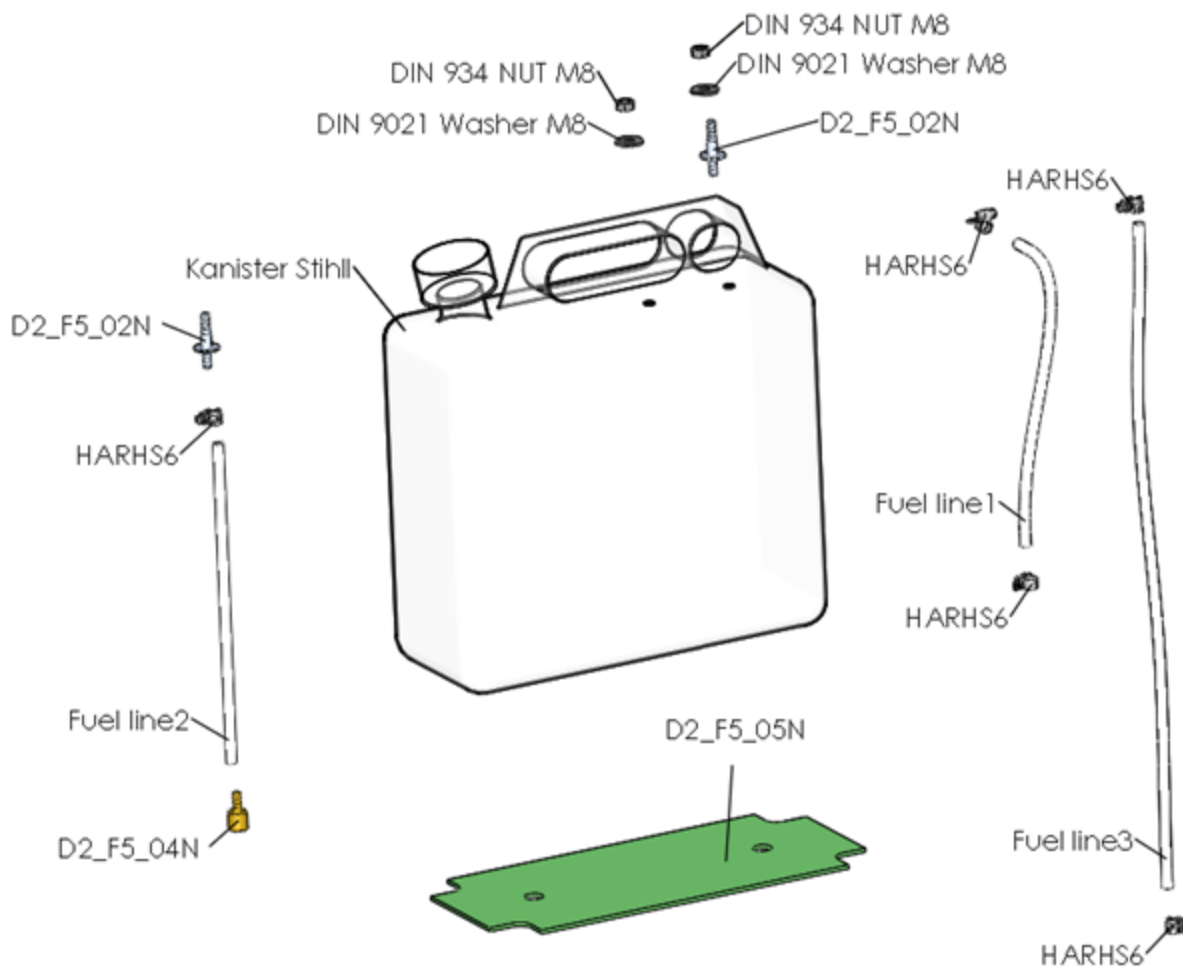
Step 42-A



Title	Document no.	Revision	Page	Pages
Fuselage assembly manual	D2_F0_00	Rev. 03	143	414



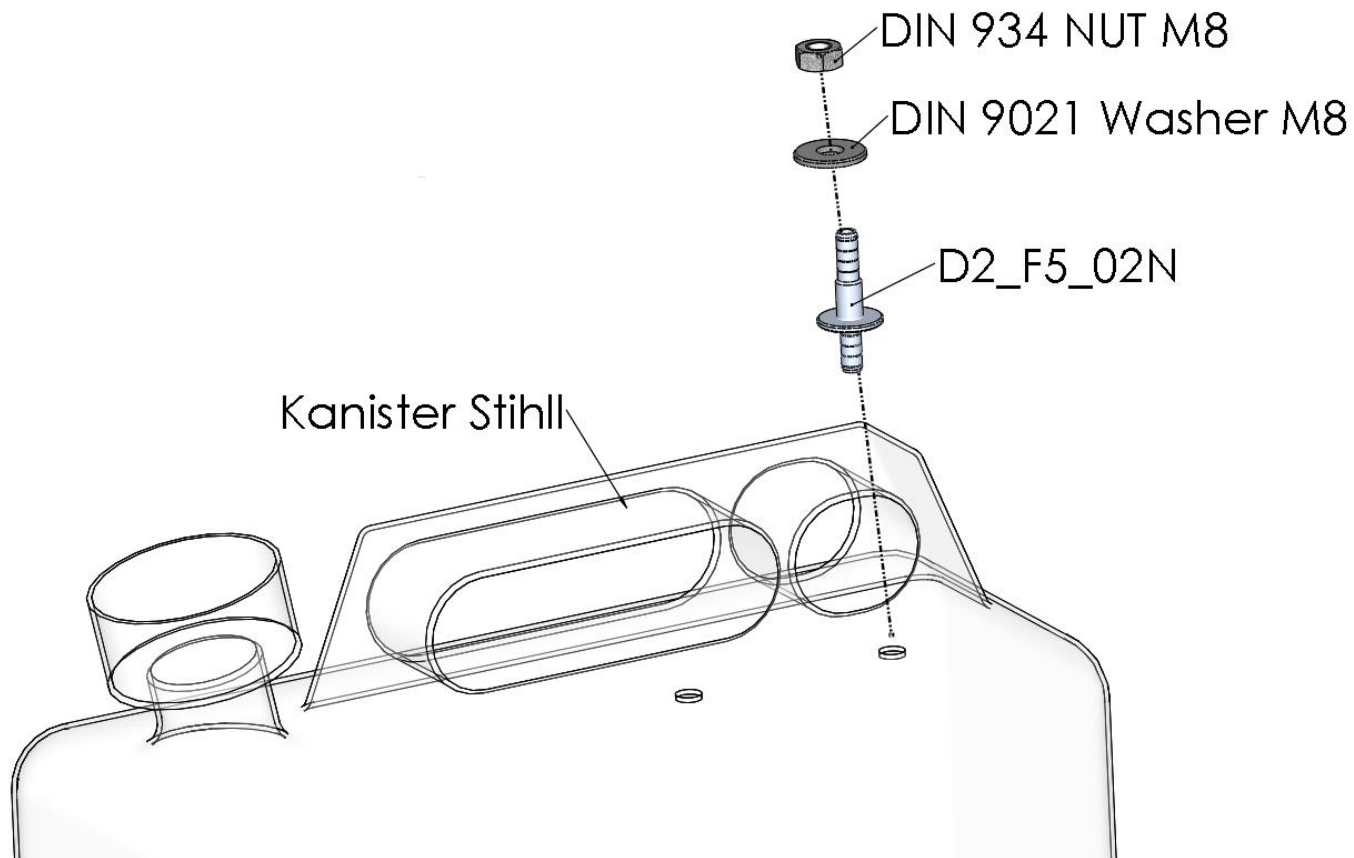
Step 42A



Title	Document no.	Revision	Page	Pages
Fuselage assembly manual	D2_F0_00	Rev. 03	144	414



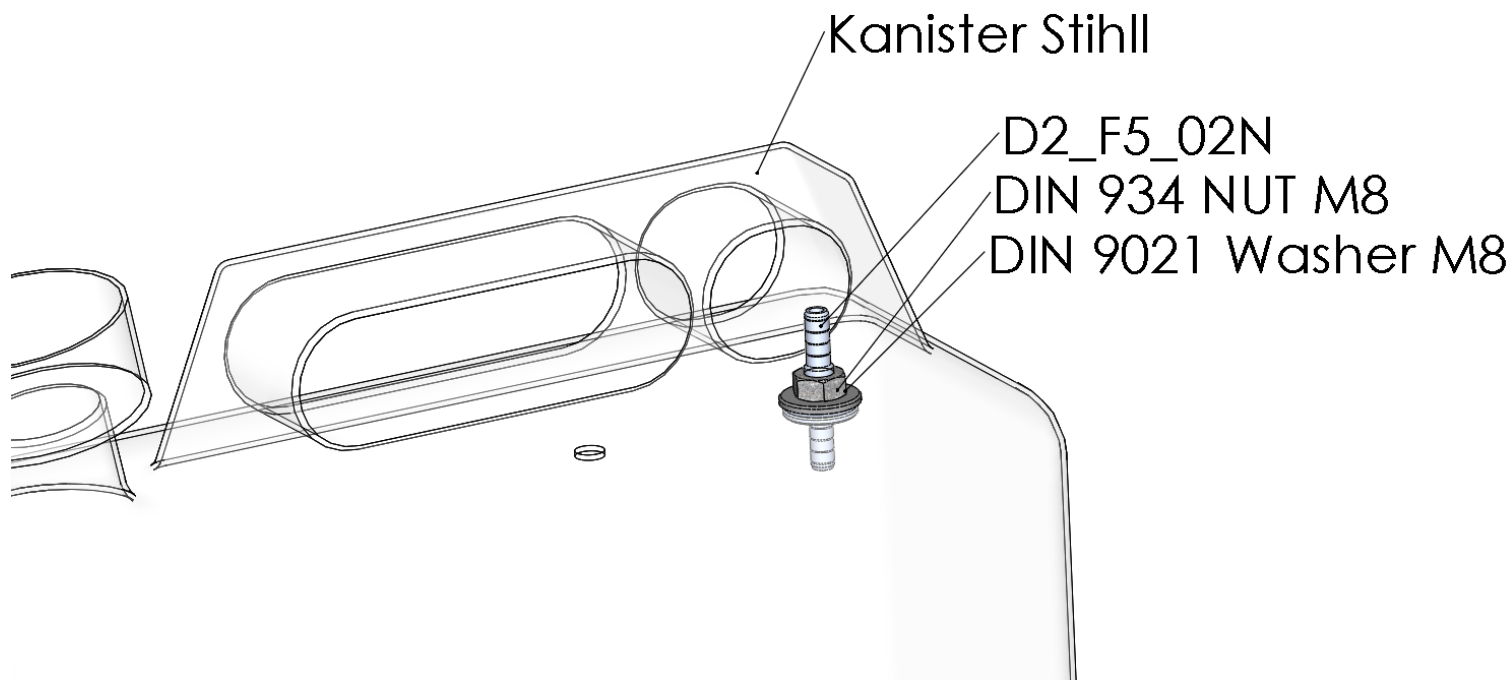
Step 42A-1



Title	Document no.	Revision	Page	Pages
Fuselage assembly manual	D2_F0_00	Rev. 03	145	414



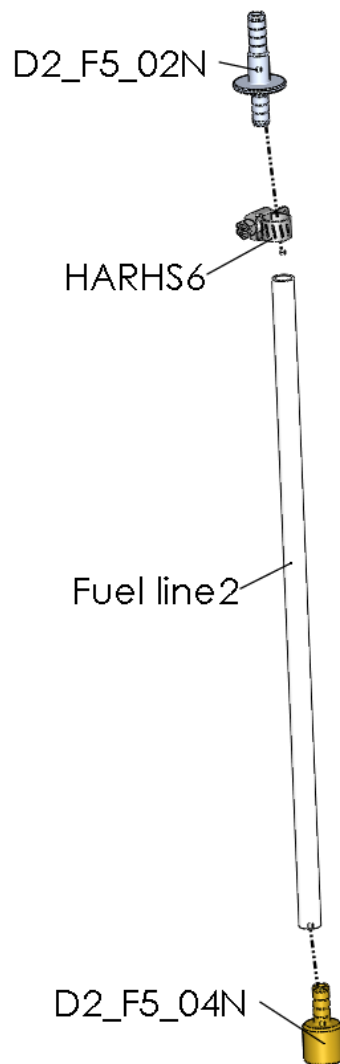
Step 42A-2



Title	Document no.	Revision	Page	Pages
Fuselage assembly manual	D2_F0_00	Rev. 03	146	414



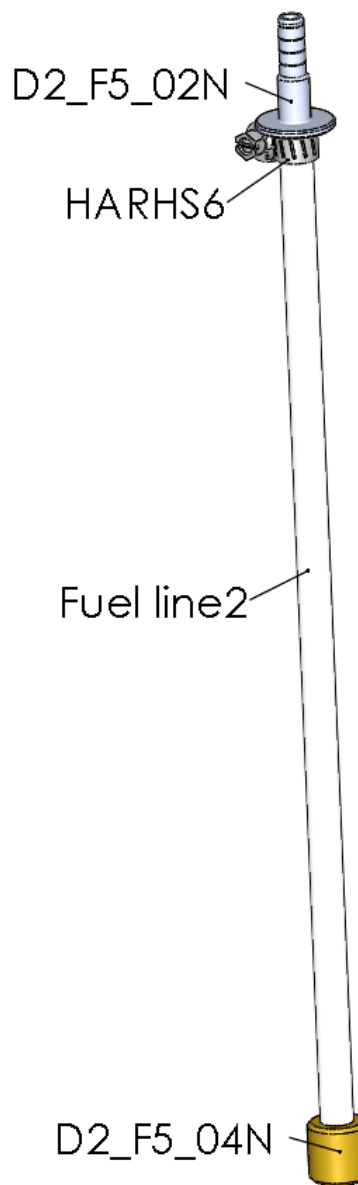
Step 42A-3



Title	Document no.	Revision	Page	Pages
Fuselage assembly manual	D2_F0_00	Rev. 03	147	414



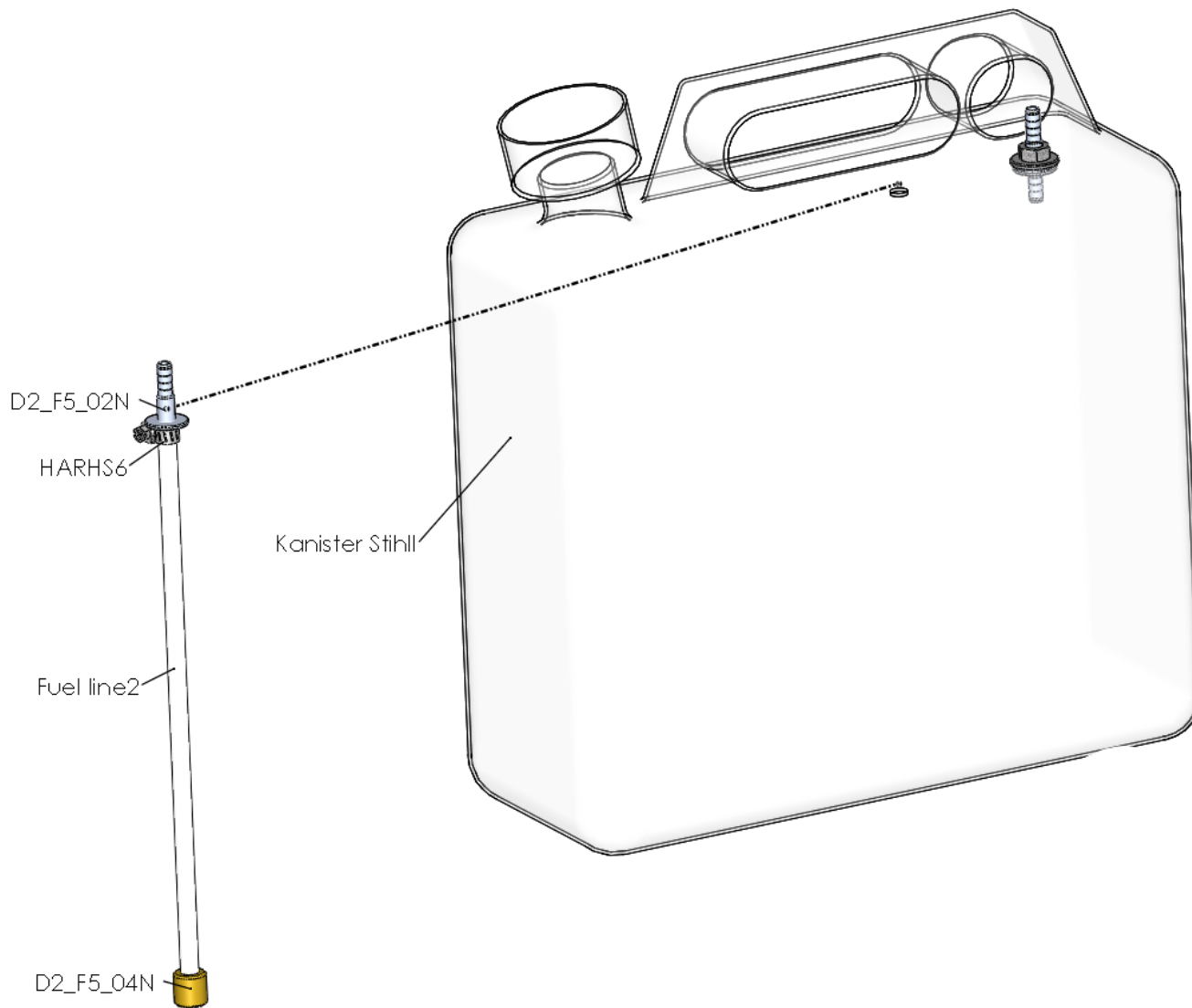
Step 42A-4



Title	Document no.	Revision	Page	Pages
Fuselage assembly manual	D2_F0_00	Rev. 03	148	414



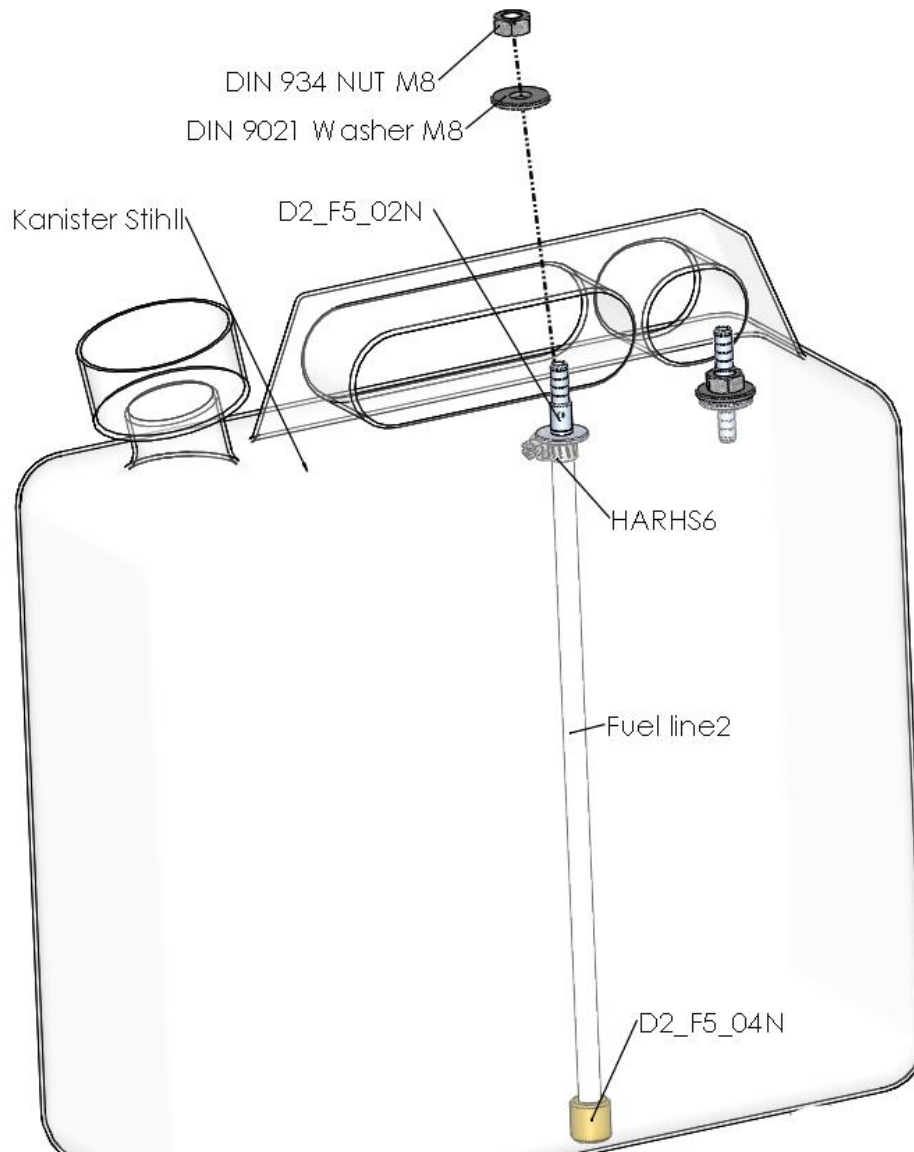
Step 42A-5



Title	Document no.	Revision	Page	Pages
Fuselage assembly manual	D2_F0_00	Rev. 03	149	414



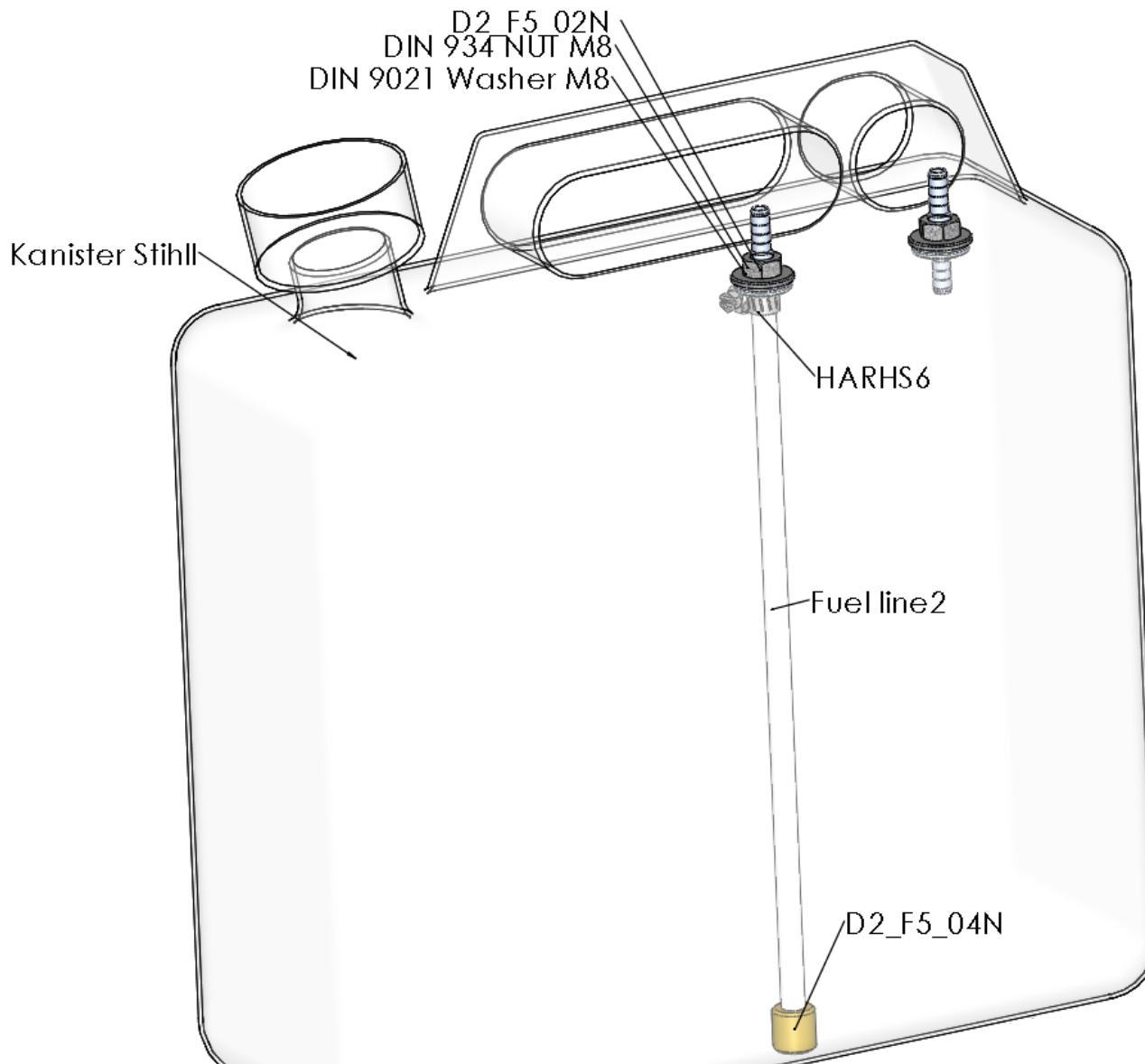
Step 42A-6



Title	Document no.	Revision	Page	Pages
Fuselage assembly manual	D2_F0_00	Rev. 03	150	414



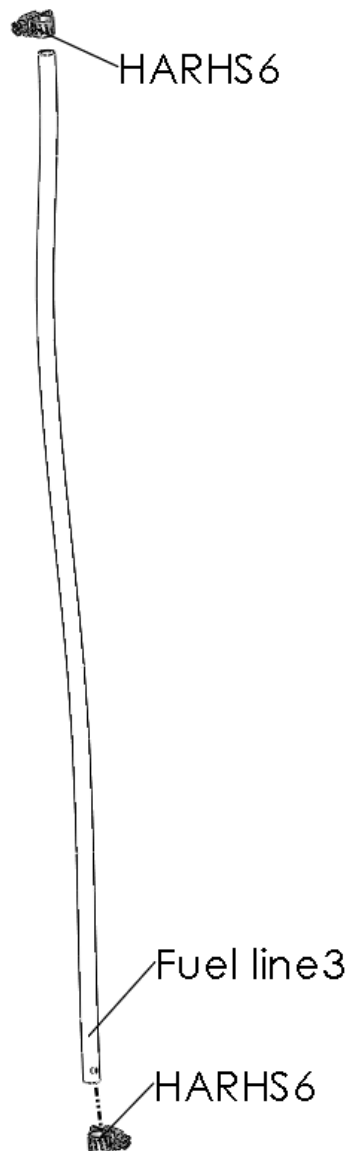
Step 42A-7



Title	Document no.	Revision	Page	Pages
Fuselage assembly manual	D2_F0_00	Rev. 03	151	414



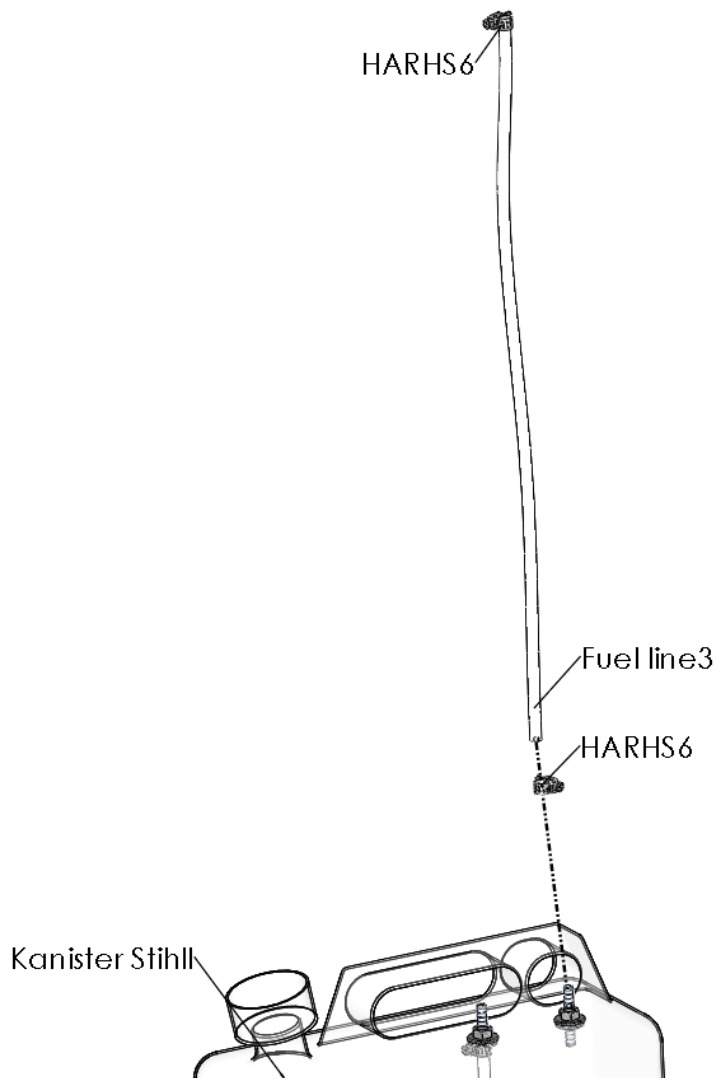
Step 42A-8



Title	Document no.	Revision	Page	Pages
Fuselage assembly manual	D2_F0_00	Rev. 03	152	414



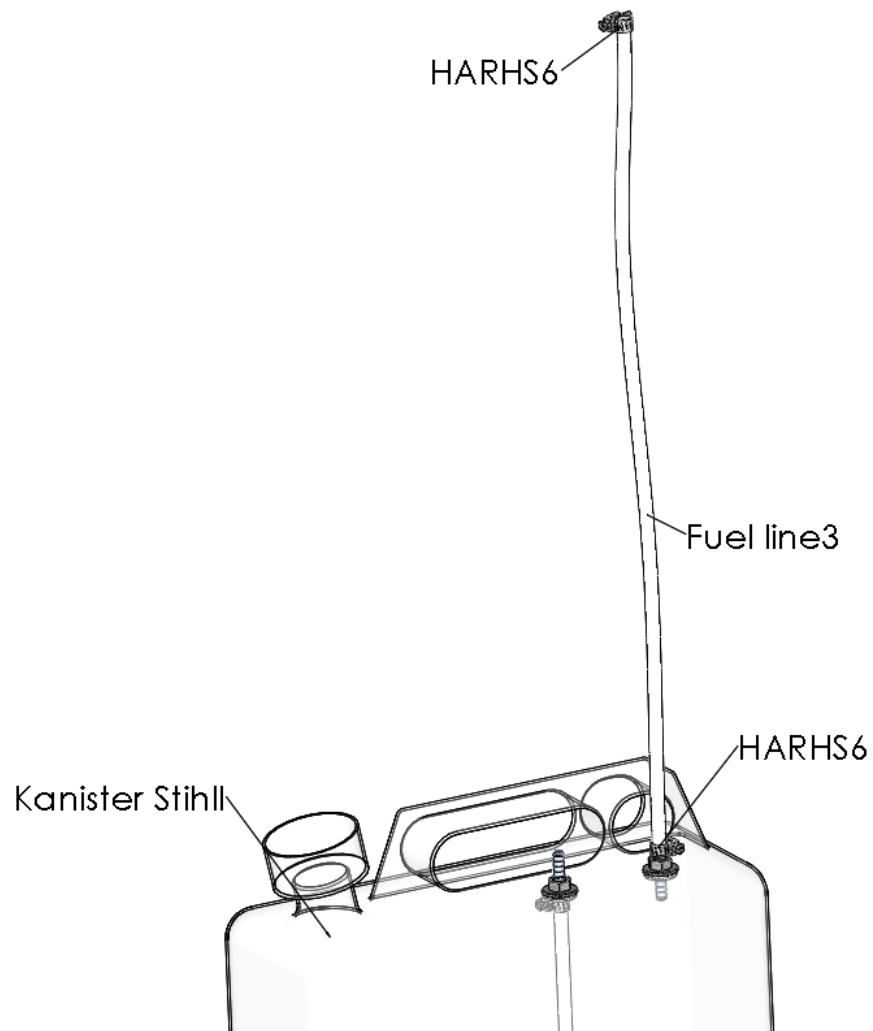
Step 42A-9



Title	Document no.	Revision	Page	Pages
Fuselage assembly manual	D2_F0_00	Rev. 03	153	414



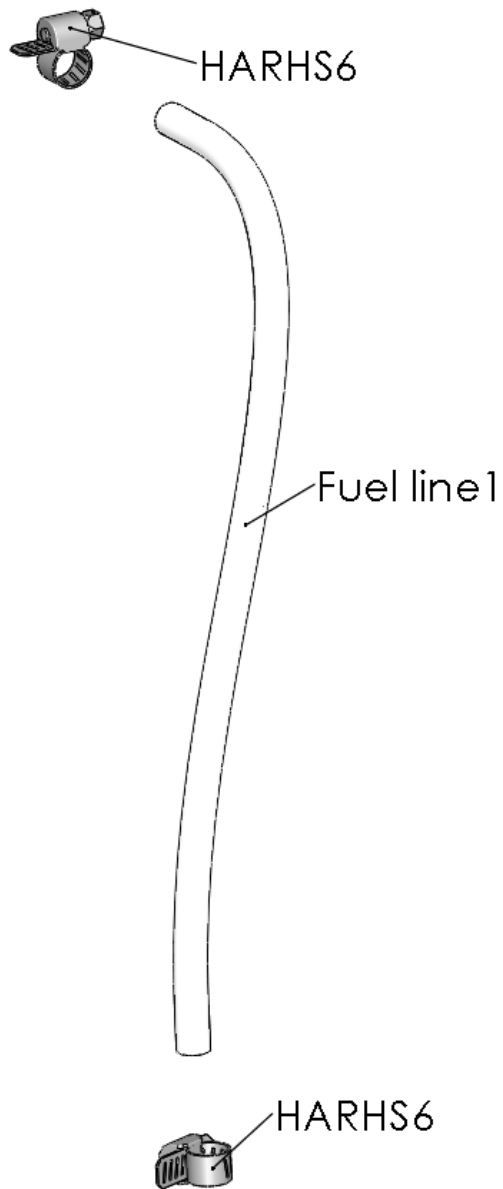
Step 42A-10



Title	Document no.	Revision	Page	Pages
Fuselage assembly manual	D2_F0_00	Rev. 03	154	414



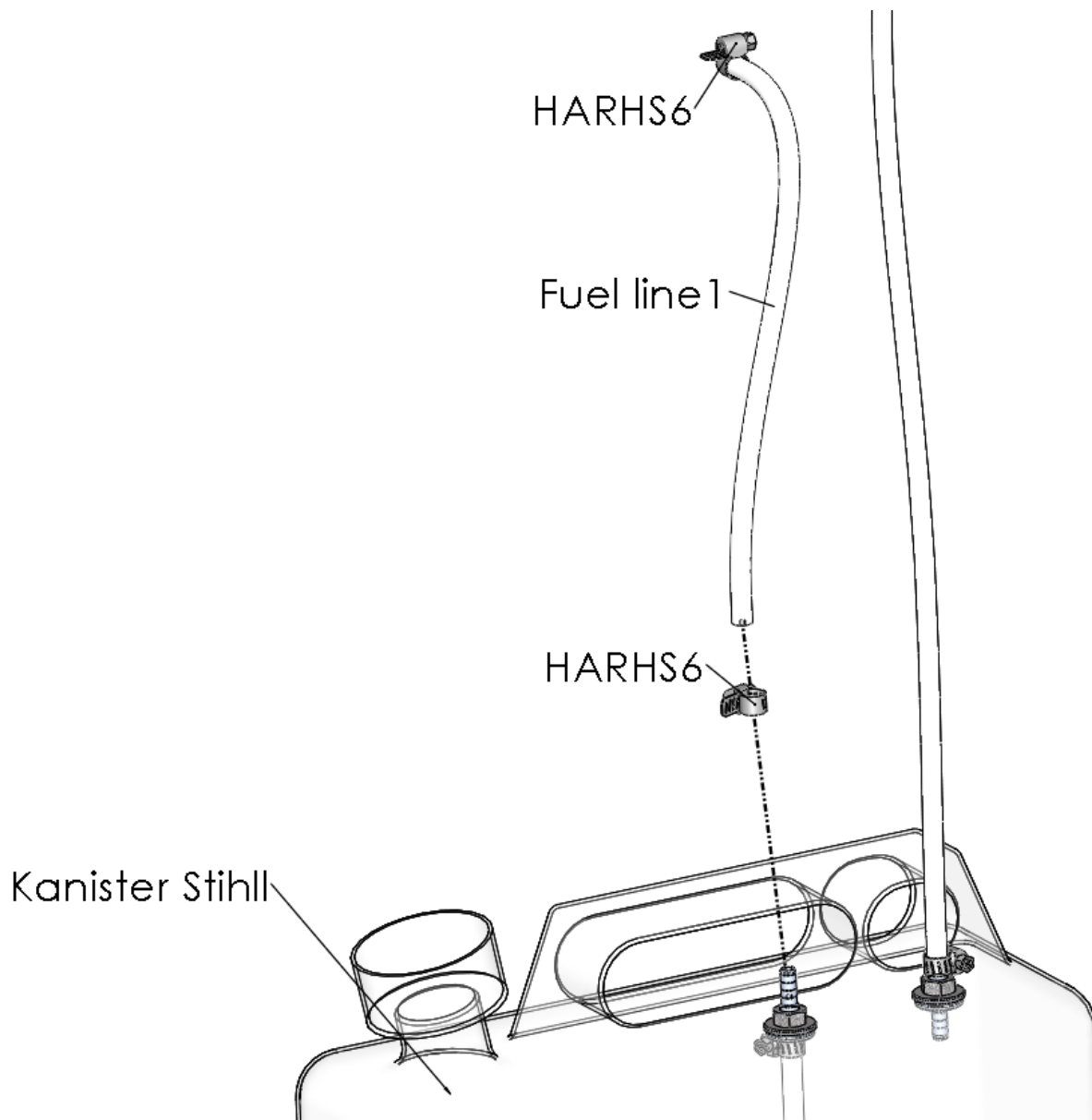
Step 42A-11



Title	Document no.	Revision	Page	Pages
Fuselage assembly manual	D2_F0_00	Rev. 03	155	414



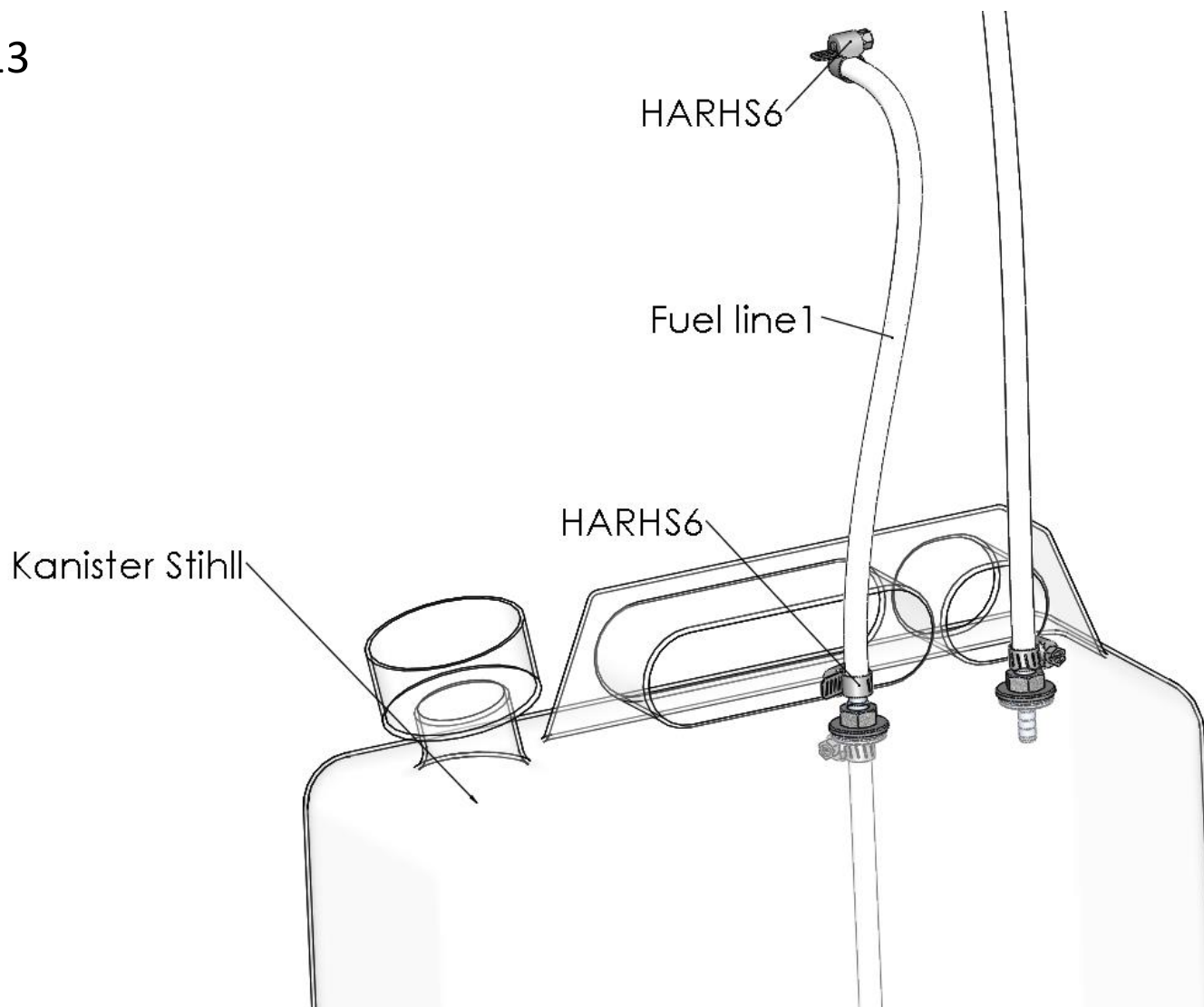
Step 42A-12



Title	Document no.	Revision	Page	Pages
Fuselage assembly manual	D2_F0_00	Rev. 03	156	414



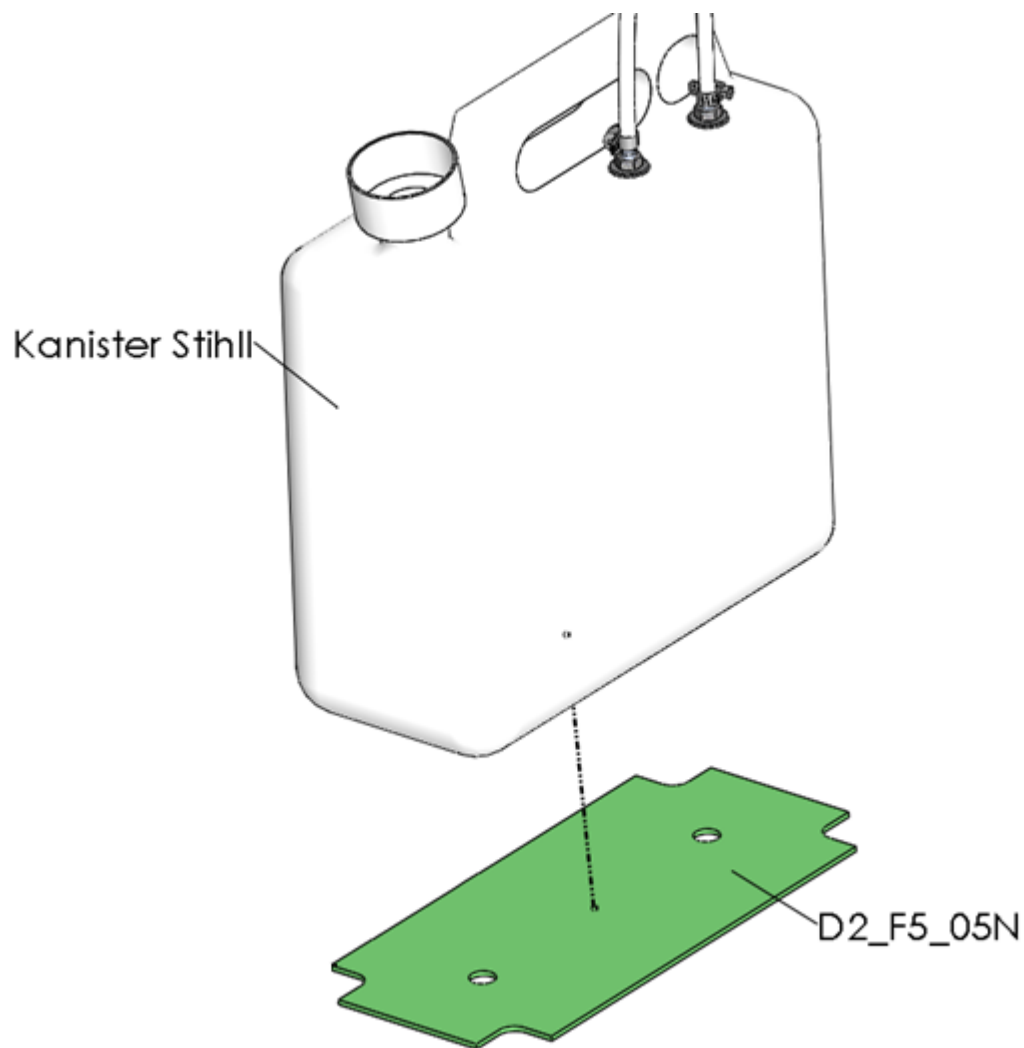
Step 42A-13



Title	Document no.	Revision	Page	Pages
Fuselage assembly manual	D2_F0_00	Rev. 03	157	414



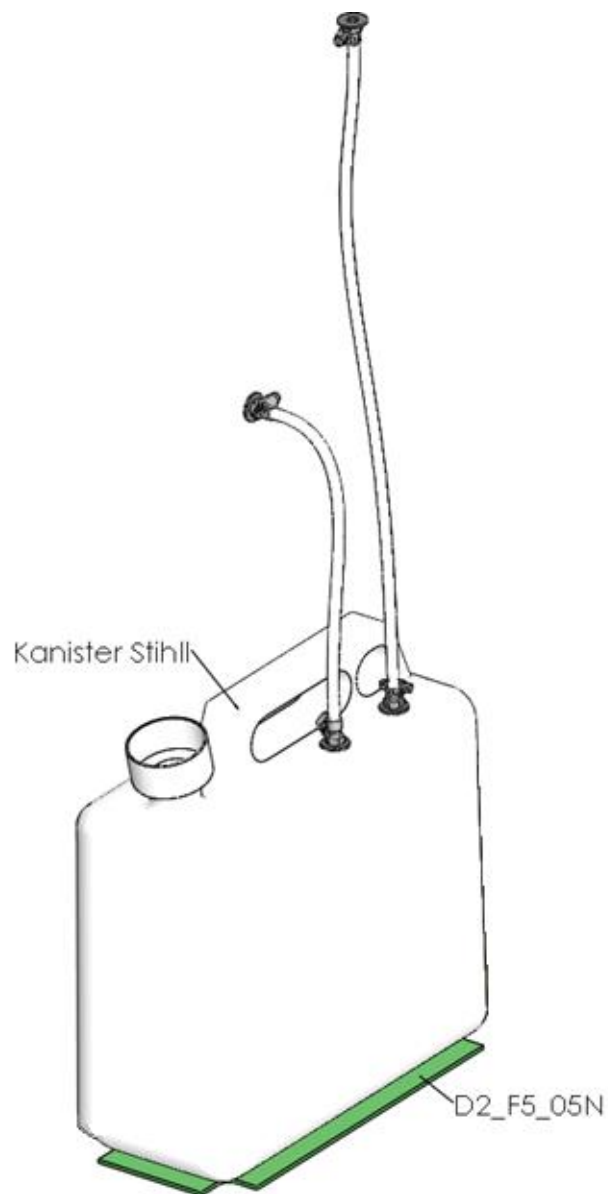
Step 42A-14



Title	Document no.	Revision	Page	Pages
Fuselage assembly manual	D2_F0_00	Rev. 03	158	414



Step 42A-15



Title	Document no.	Revision	Page	Pages
Fuselage assembly manual	D2_F0_00	Rev. 03	159	414

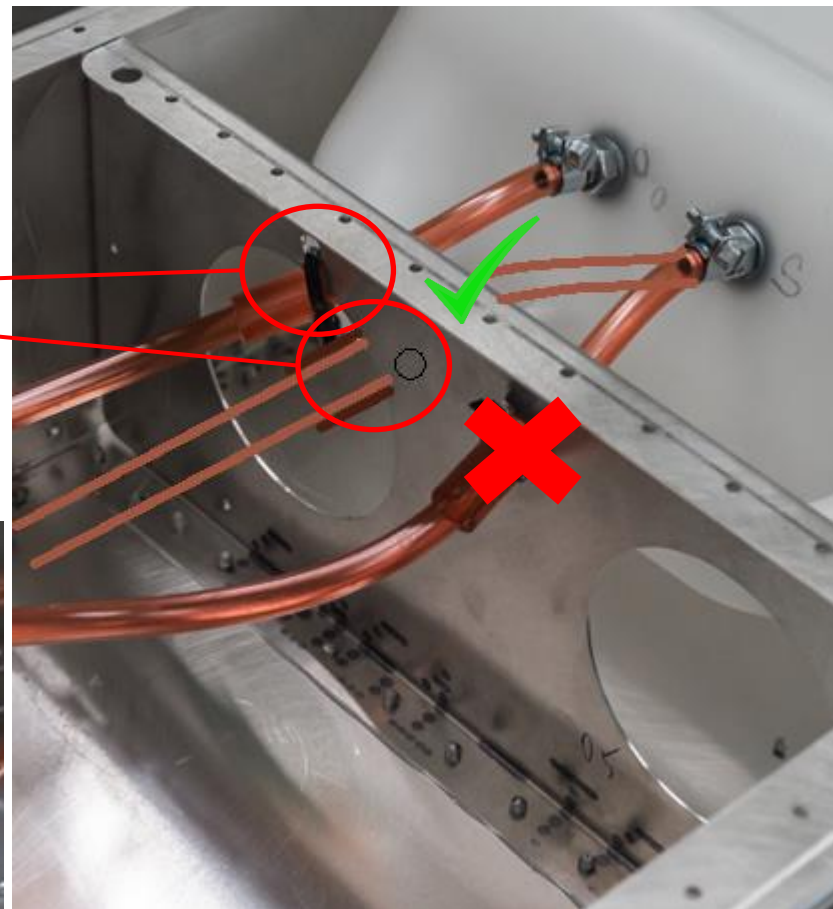


Step 42A-16

Φ4mm



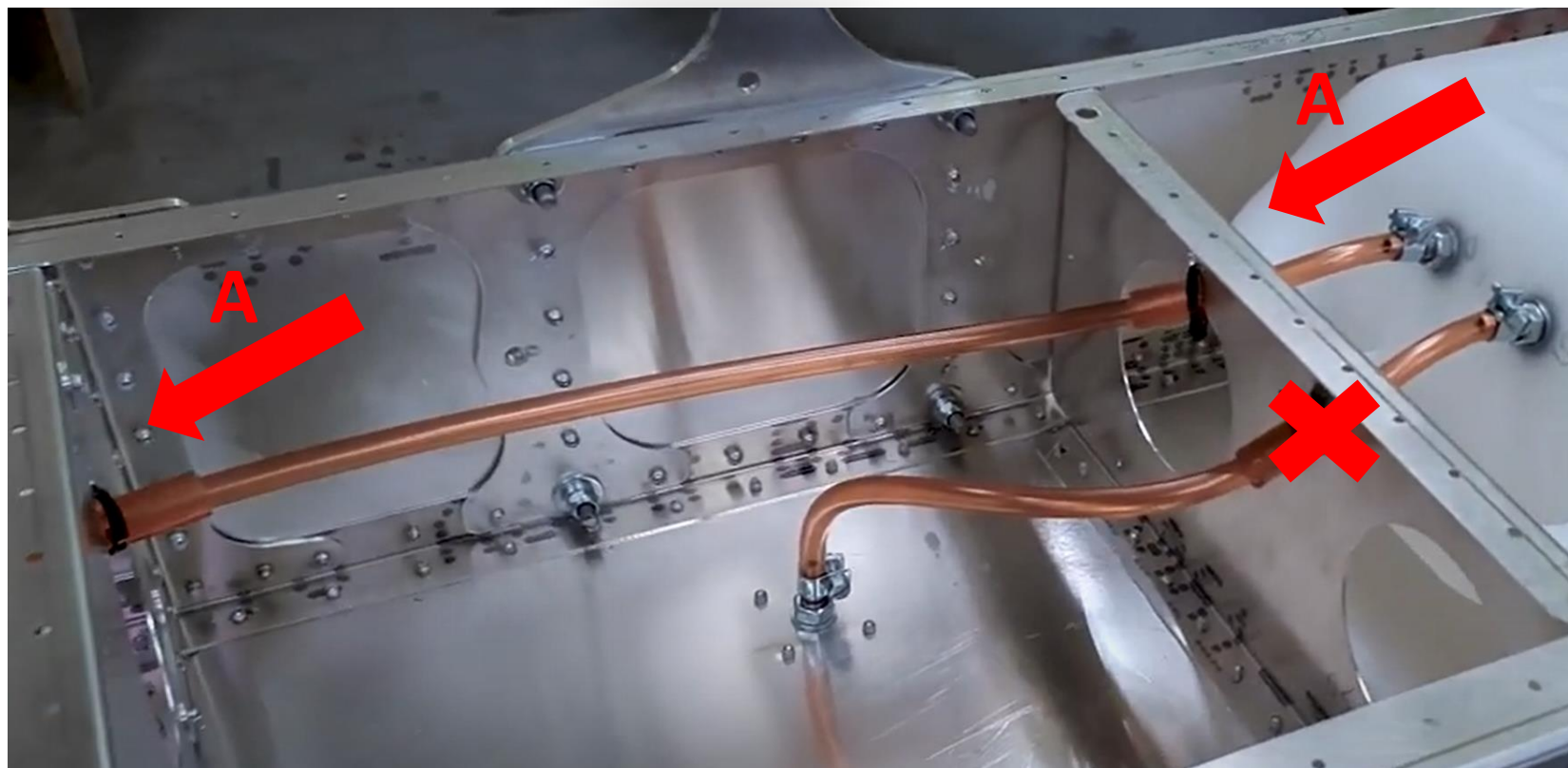
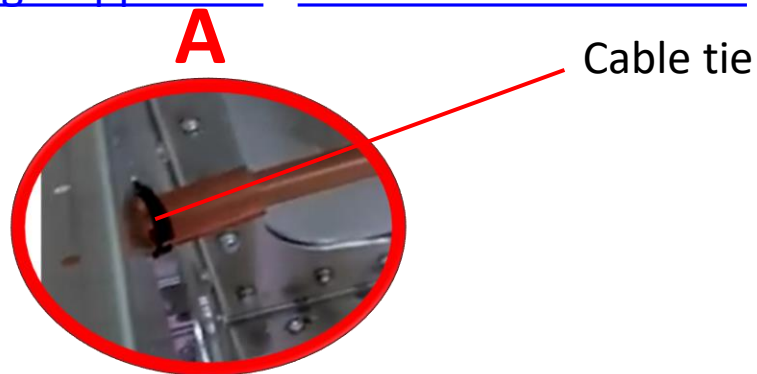
Cable tie



Title	Document no.	Revision	Page	Pages
Fuselage assembly manual	D2_F0_00	Rev. 03	160	414



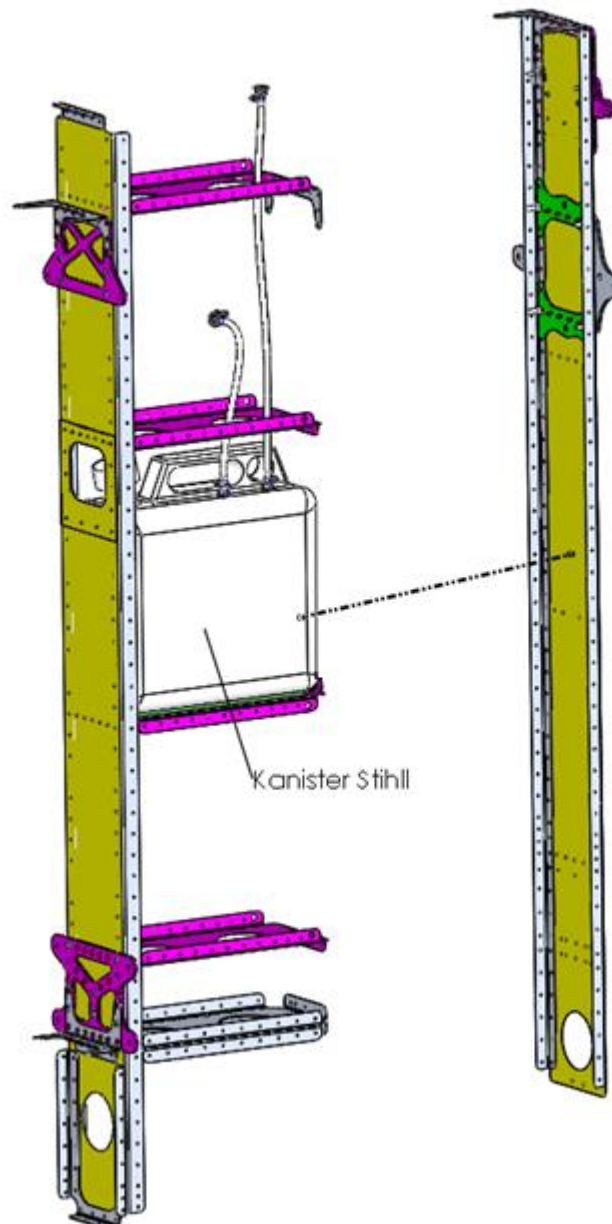
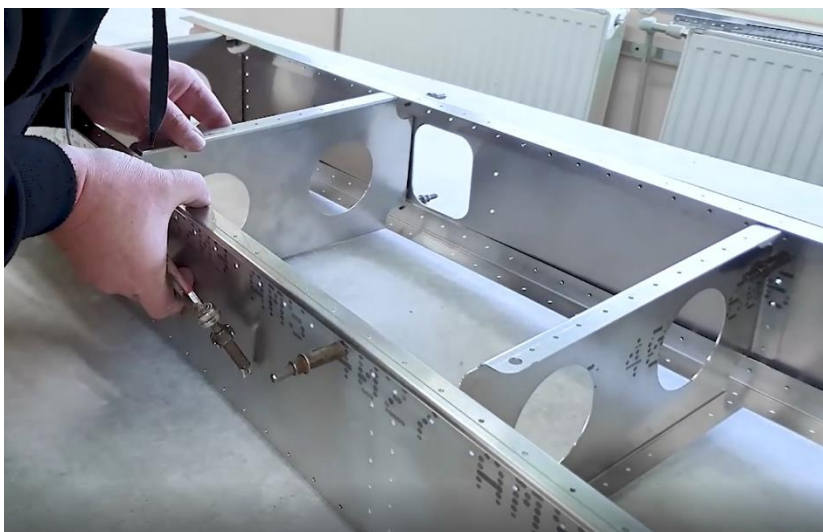
Step 42A-17



Title	Document no.	Revision	Page	Pages
Fuselage assembly manual	D2_F0_00	Rev. 03	161	414



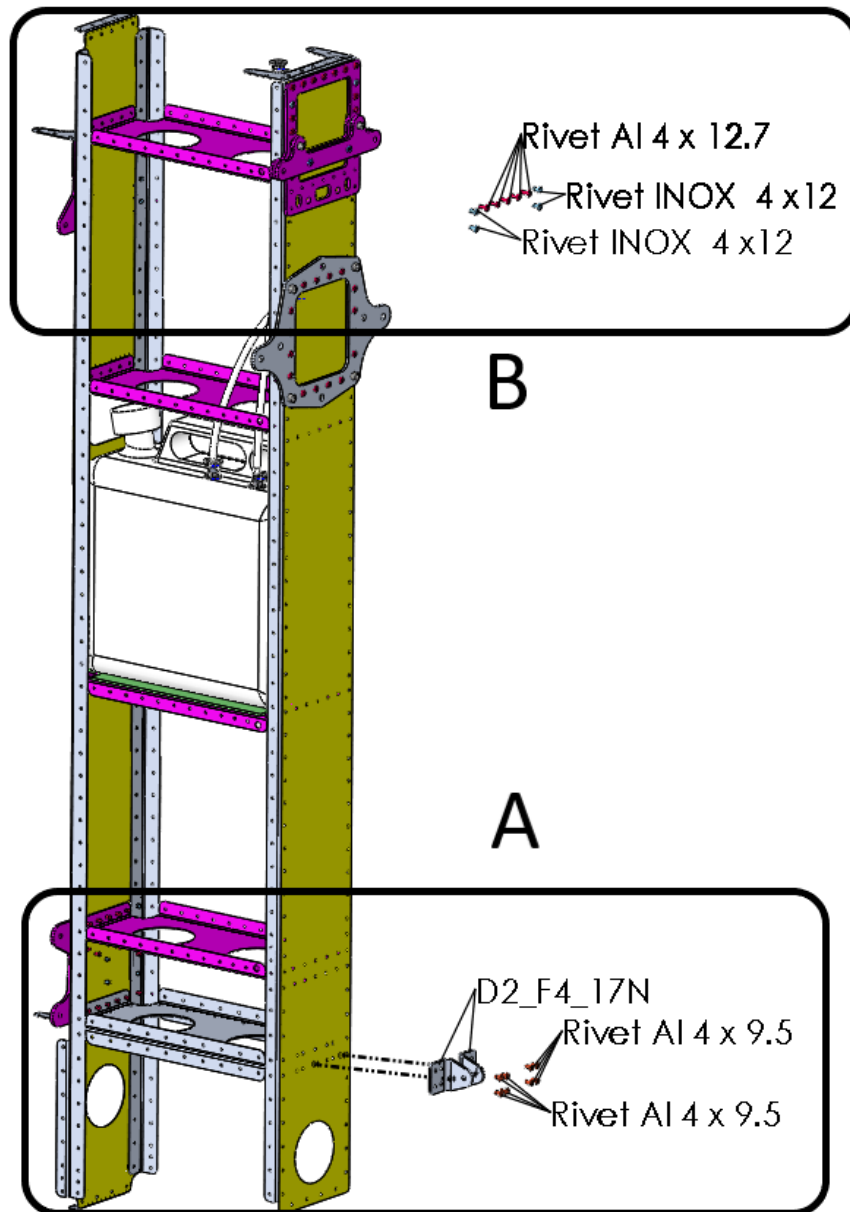
Step 43



Title	Document no.	Revision	Page	Pages
Fuselage assembly manual	D2_F0_00	Rev. 03	162	414



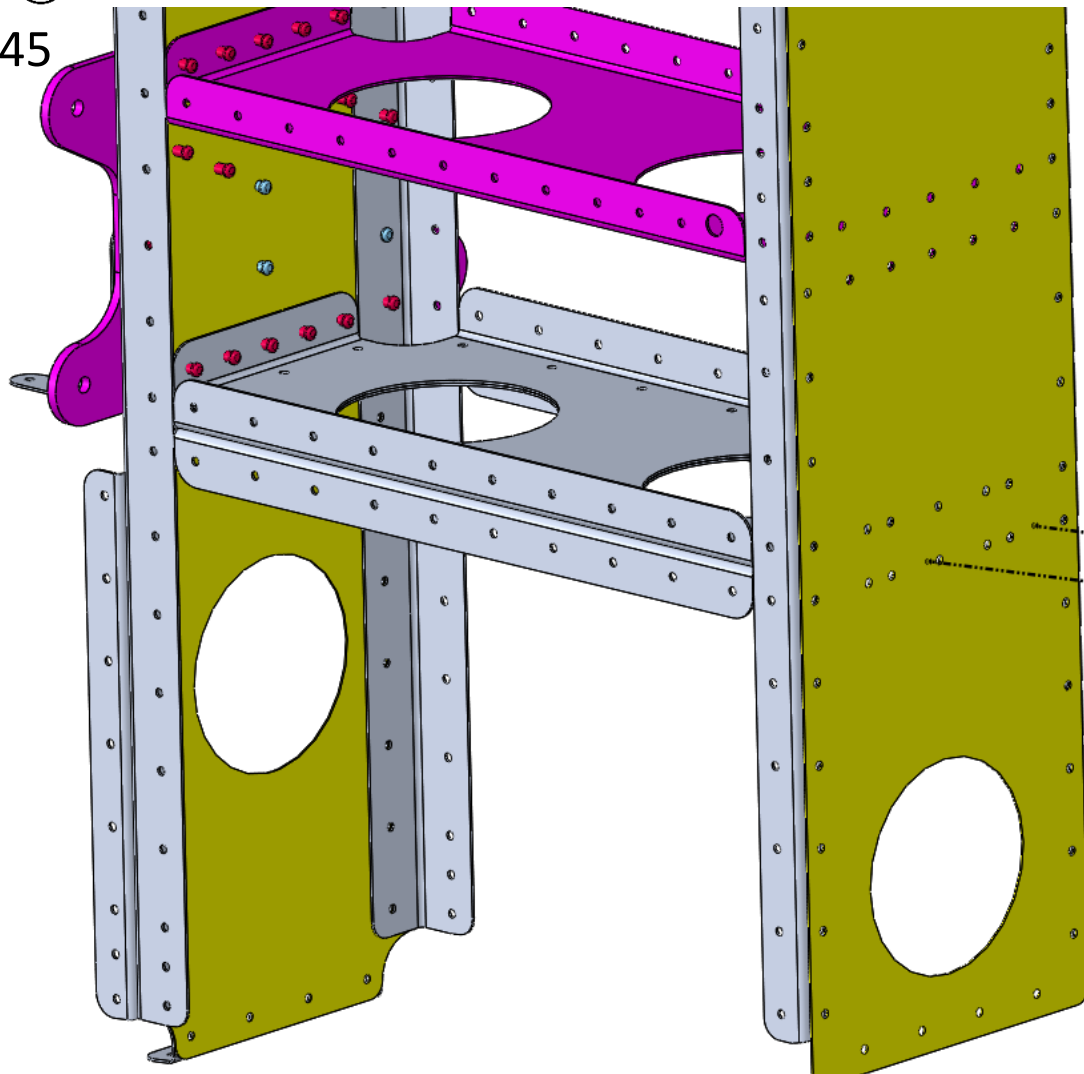
Step 44



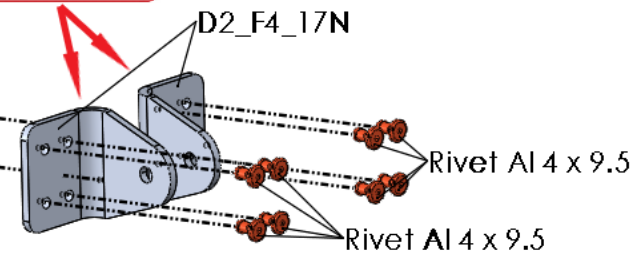
Title	Document no.	Revision	Page	Pages
Fuselage assembly manual	D2_F0_00	Rev. 03	163	414



Step 45



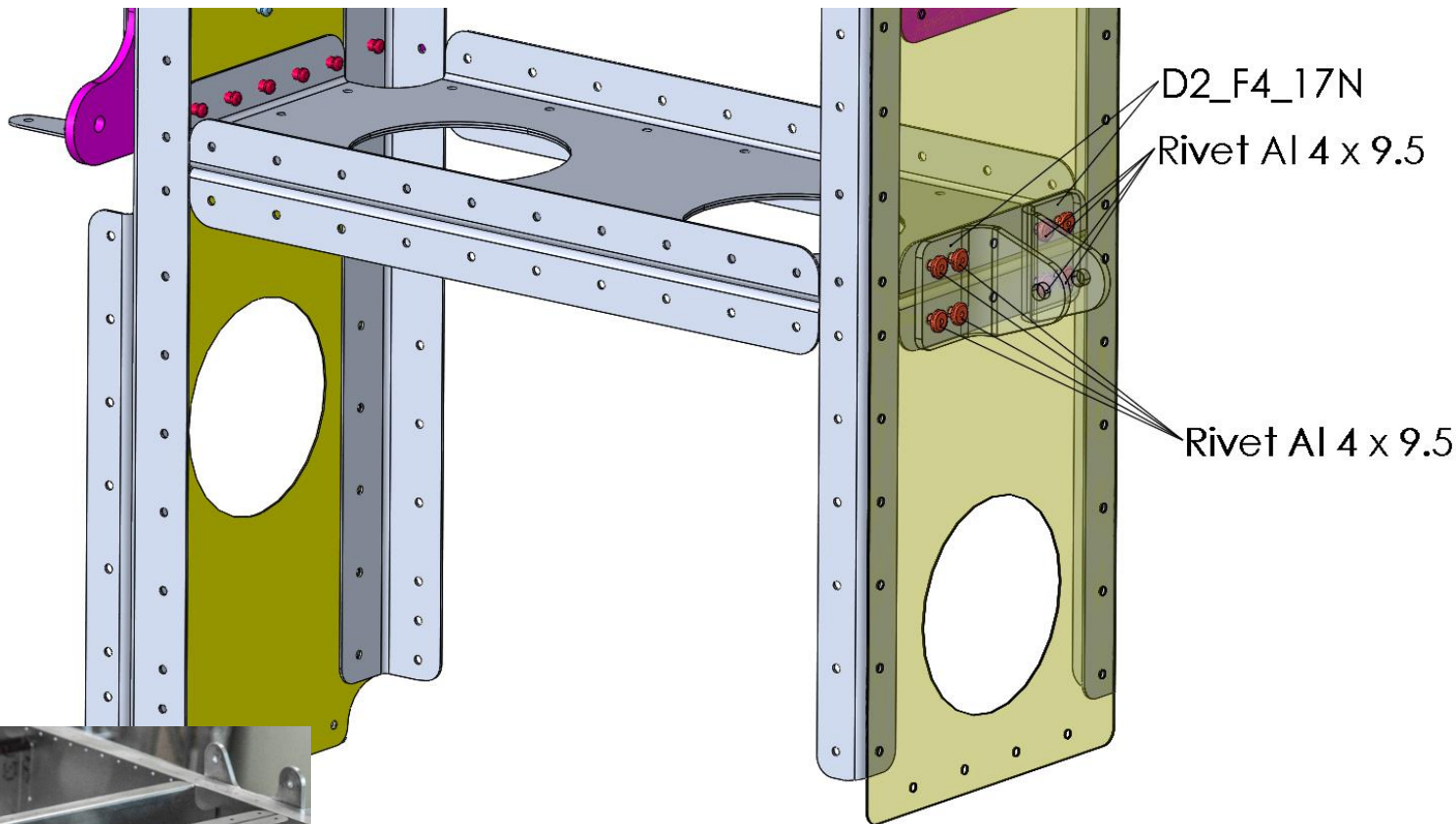
Polyurethane adhesive
Emfimastic PU-50



Title	Document no.	Revision	Page	Pages
Fuselage assembly manual	D2_F0_00	Rev. 03	164	414



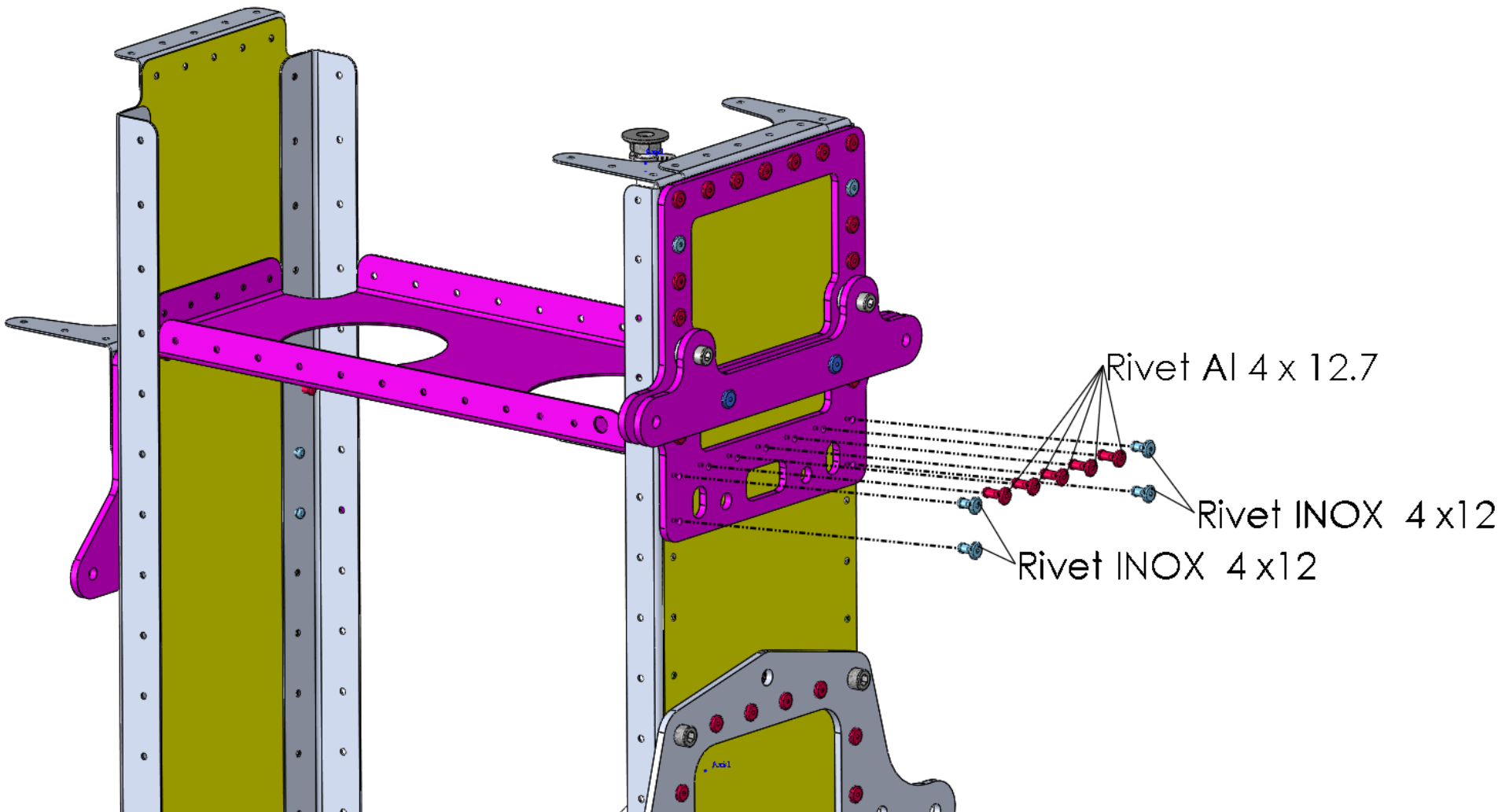
Step 46



Title	Document no.	Revision	Page	Pages
Fuselage assembly manual	D2_F0_00	Rev. 03	165	414



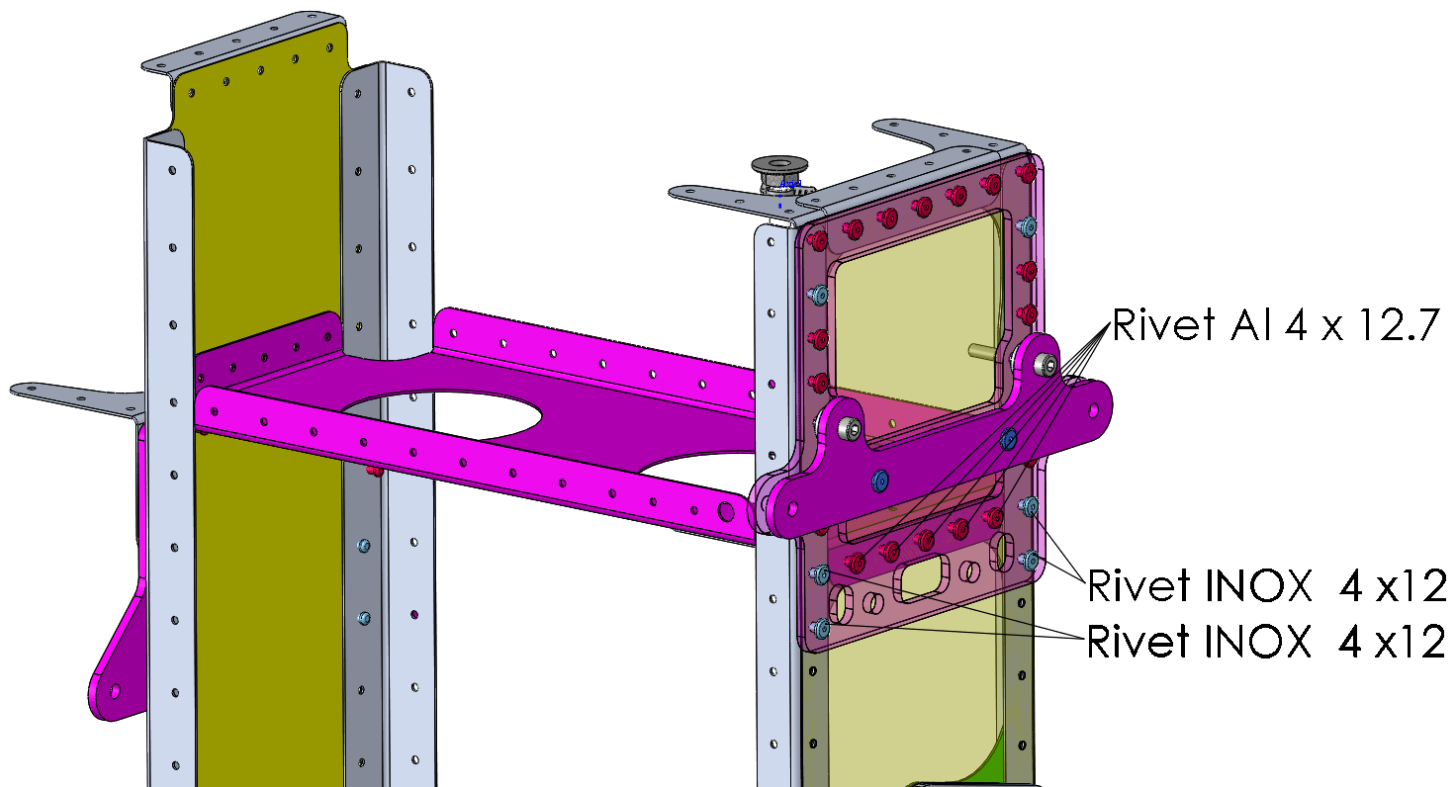
Step 47



Title	Document no.	Revision	Page	Pages
Fuselage assembly manual	D2_F0_00	Rev. 03	166	414



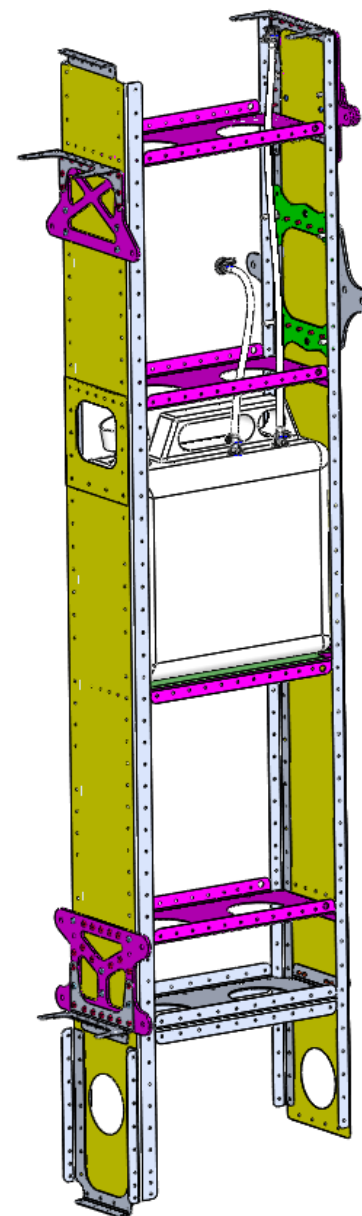
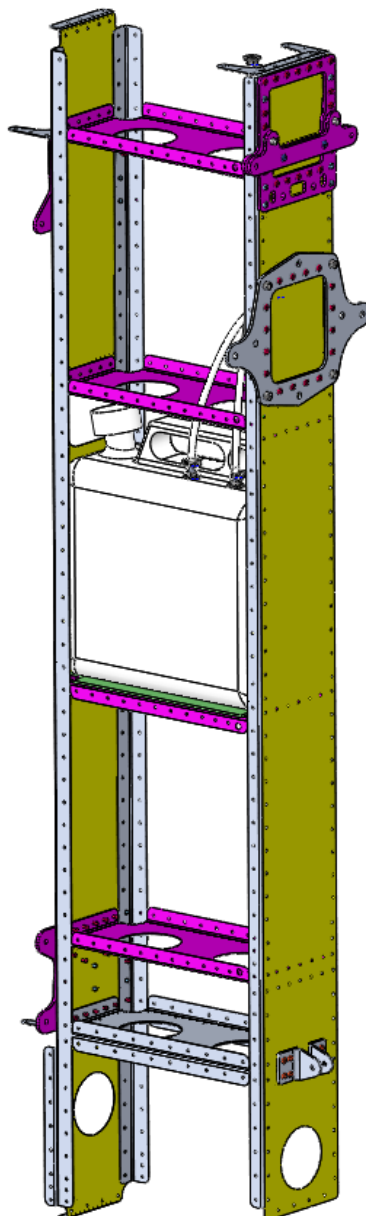
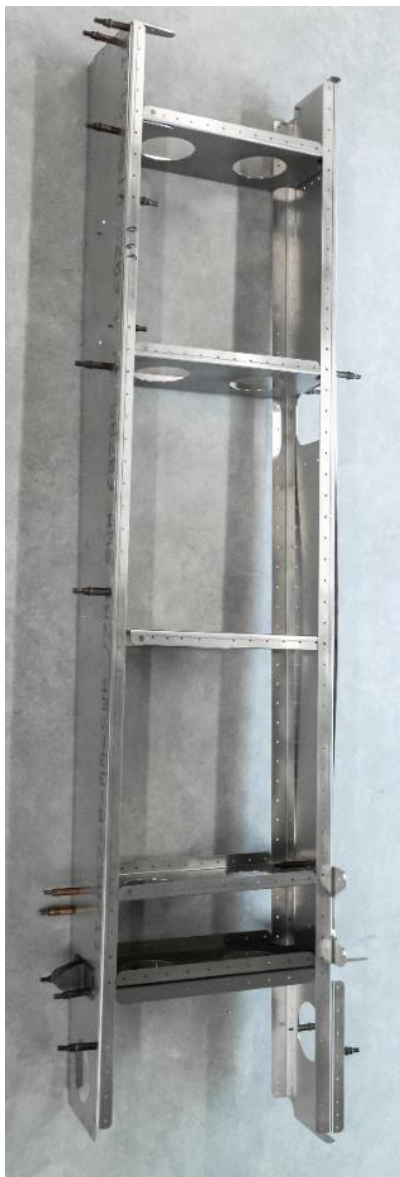
Step 48



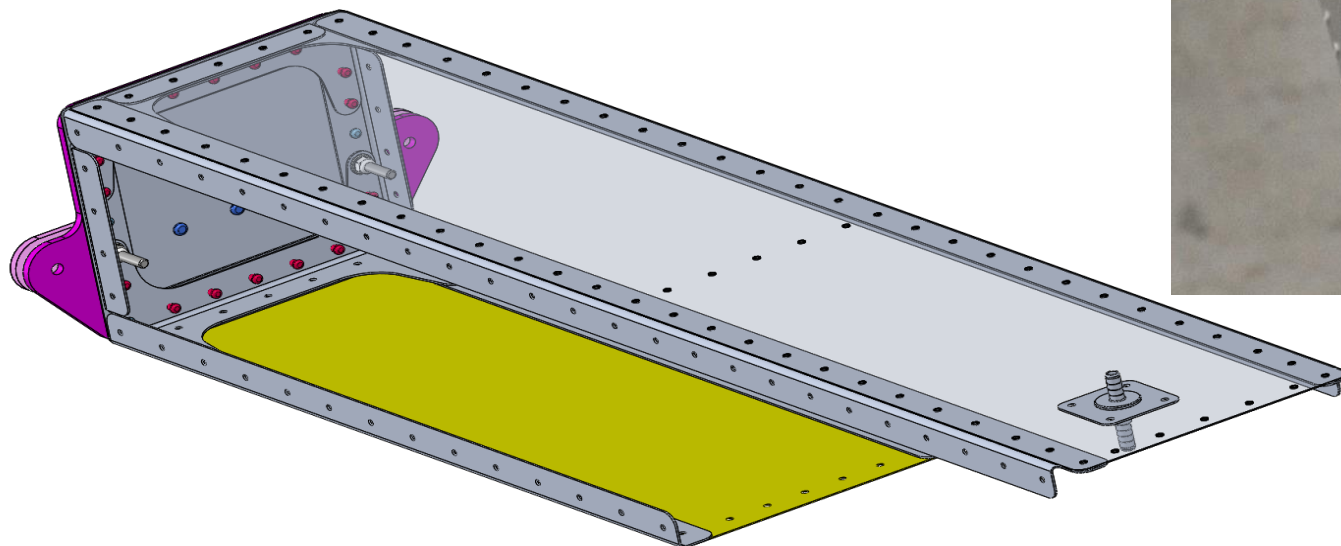
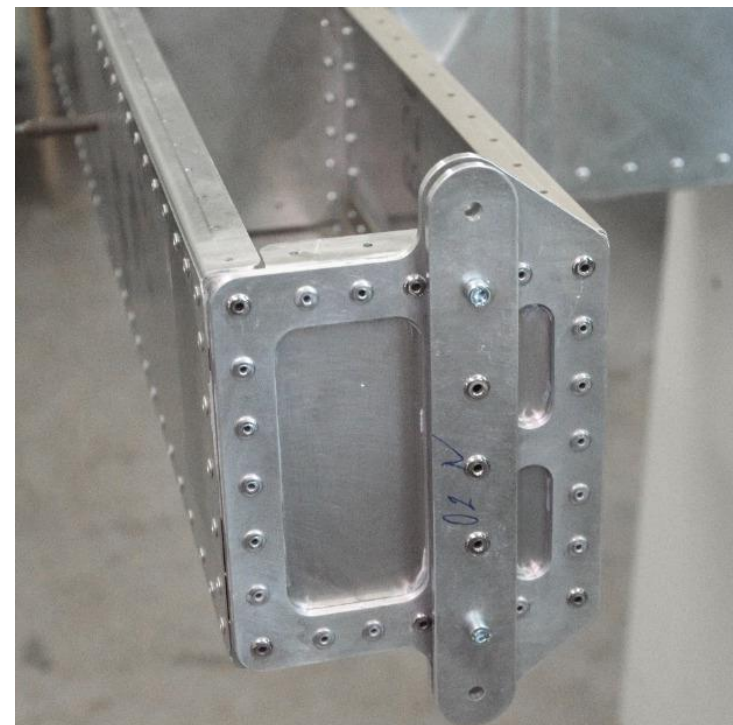
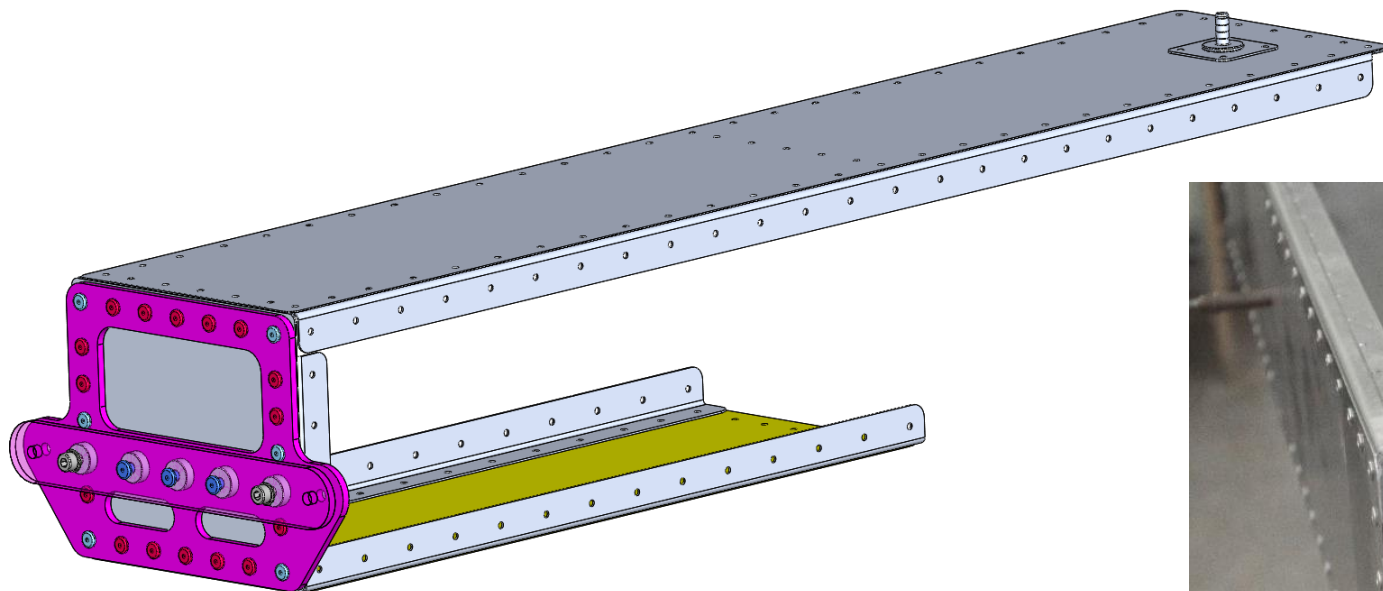
Title	Document no.	Revision	Page	Pages
Fuselage assembly manual	D2_F0_00	Rev. 03	167	414



Step 49



Title	Document no.	Revision	Page	Pages
Fuselage assembly manual	D2_F0_00	Rev. 03	168	414

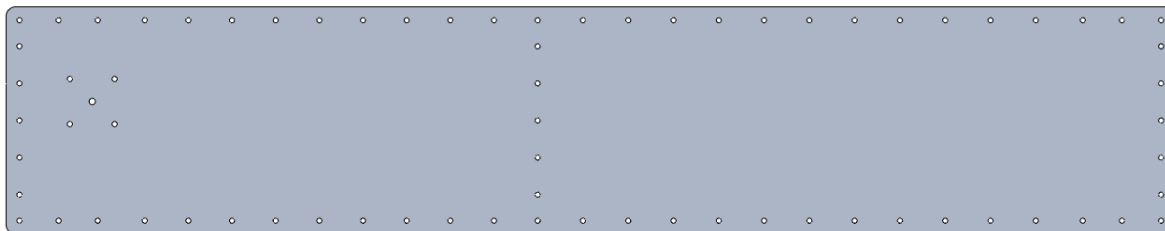


Title	Document no.	Revision	Page	Pages
Fuselage assembly manual	D2_F0_00	Rev. 03	169	414



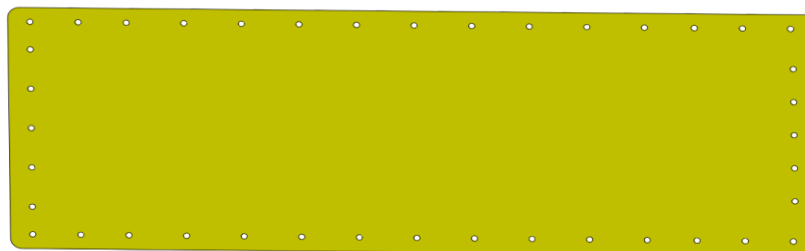
Detail: D2_F1_12N

Quantity: 1



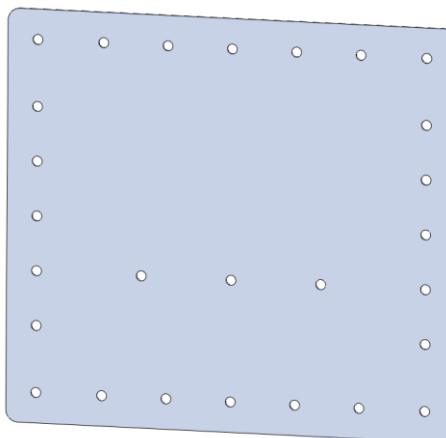
Detail D2_F1_13N

Quantity: 1

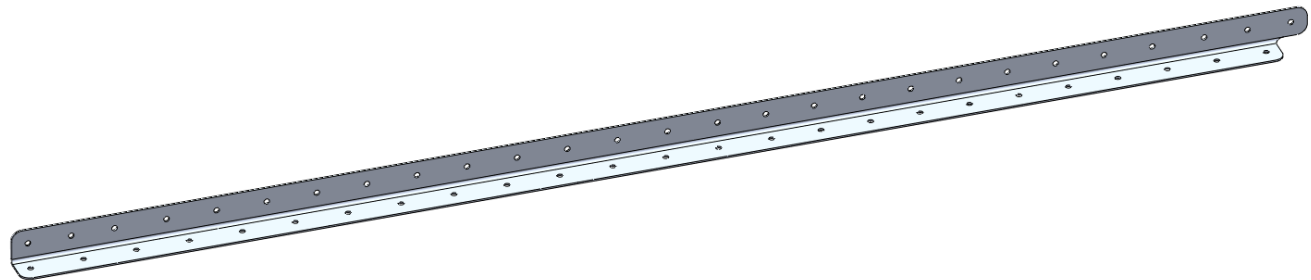
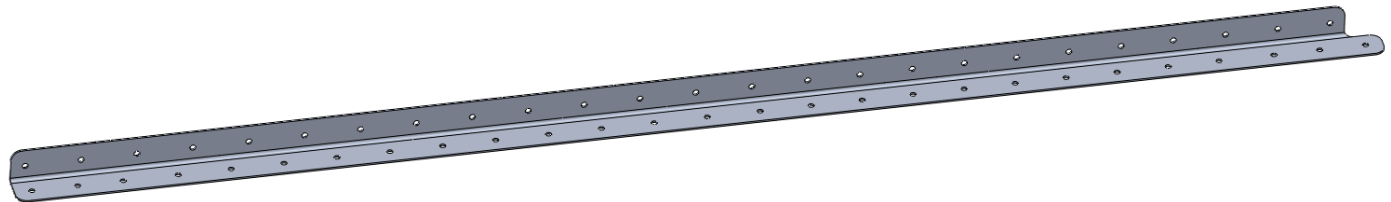
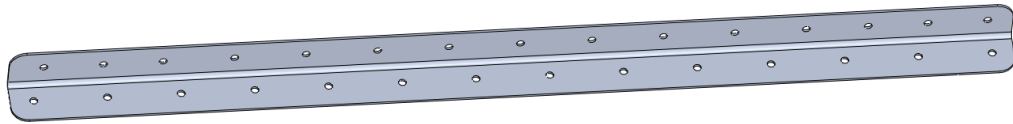
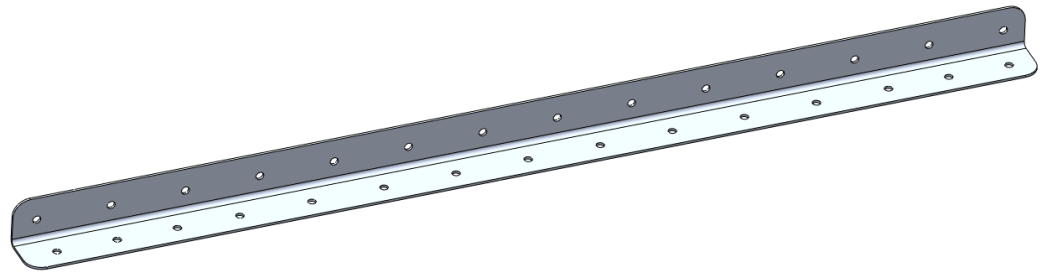


Detail: D2_F2_06N

Quantity: 1



Title	Document no.	Revision	Page	Pages
Fuselage assembly manual	D2_F0_00	Rev. 03	170	414



Detail: D2_F3_09L
Quantity: 1

Detail: D2_F3_09P
Quantity: 1

Detail: D2_F3_10L
Quantity: 1

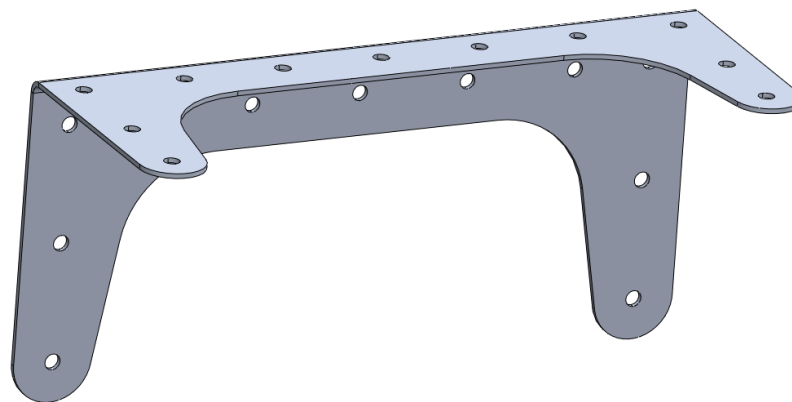
Detail: D2_F3_10P
Quantity: 1

Title	Document no.	Revision	Page	Pages
Fuselage assembly manual	D2_F0_00	Rev. 03	171	414



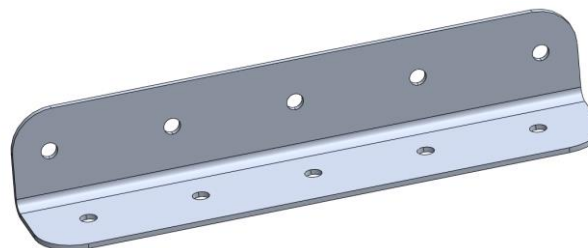
Detail: D2_F3_16N

Quantity: 2



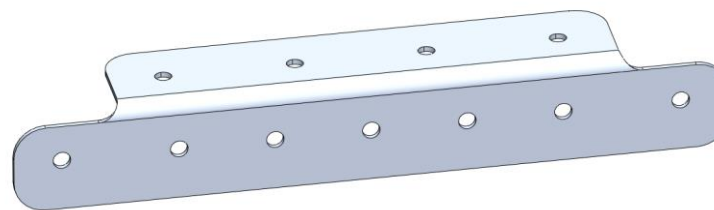
Detail: D2_F3_17N

Quantity: 2



Detail: D2_F3_18N

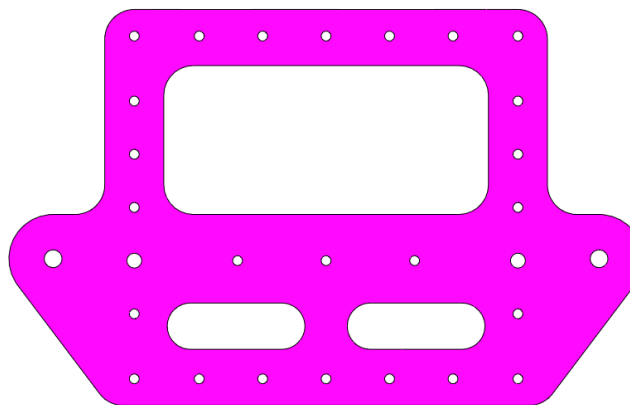
Quantity: 2



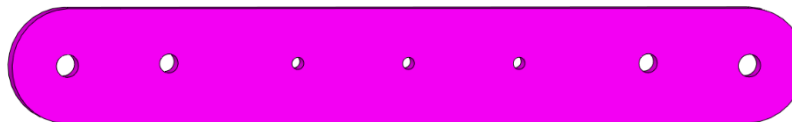
Title	Document no.	Revision	Page	Pages
Fuselage assembly manual	D2_F0_00	Rev. 03	172	414



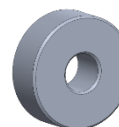
Detail: D2_F4_01N
Quantity: 1



Detail: D2_F4_02N
Quantity: 1



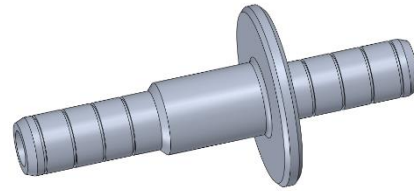
Detail: D2_F4_03N
Quantity: 5



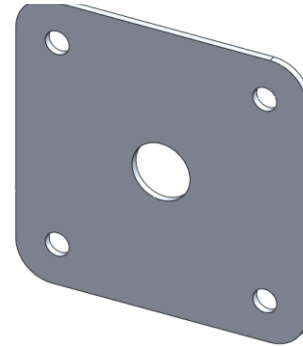
Title	Document no.	Revision	Page	Pages
Fuselage assembly manual	D2_F0_00	Rev. 03	173	414



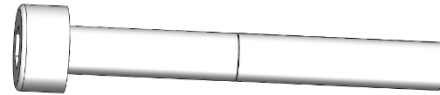
Detail: D2_F5_02N
Quantity: 1



Detail: D2_F5_03N
Quantity: 1



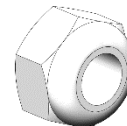
Detail: Bolt DIN 912 M5x40 D18
Quantity: 2



Detail: DIN 125 Washer M5
Quantity: 4



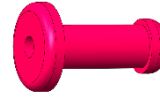
Detail: DIN 985 M5 Nylock Nut
Quantity: 2



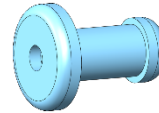
Title	Document no.	Revision	Page	Pages
Fuselage assembly manual	D2_F0_00	Rev. 03	174	414



Detail: Rivet Al 4 x 12.7
Quantity: 16



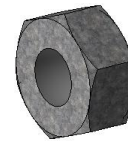
Detail: Rivet INOX 4 x12
Quantity: 6



Detail: Rivet INOX FTR 4,9 x 20
Quantity: 3



Detail: Nut DIN 934 M8
Quantity: 1



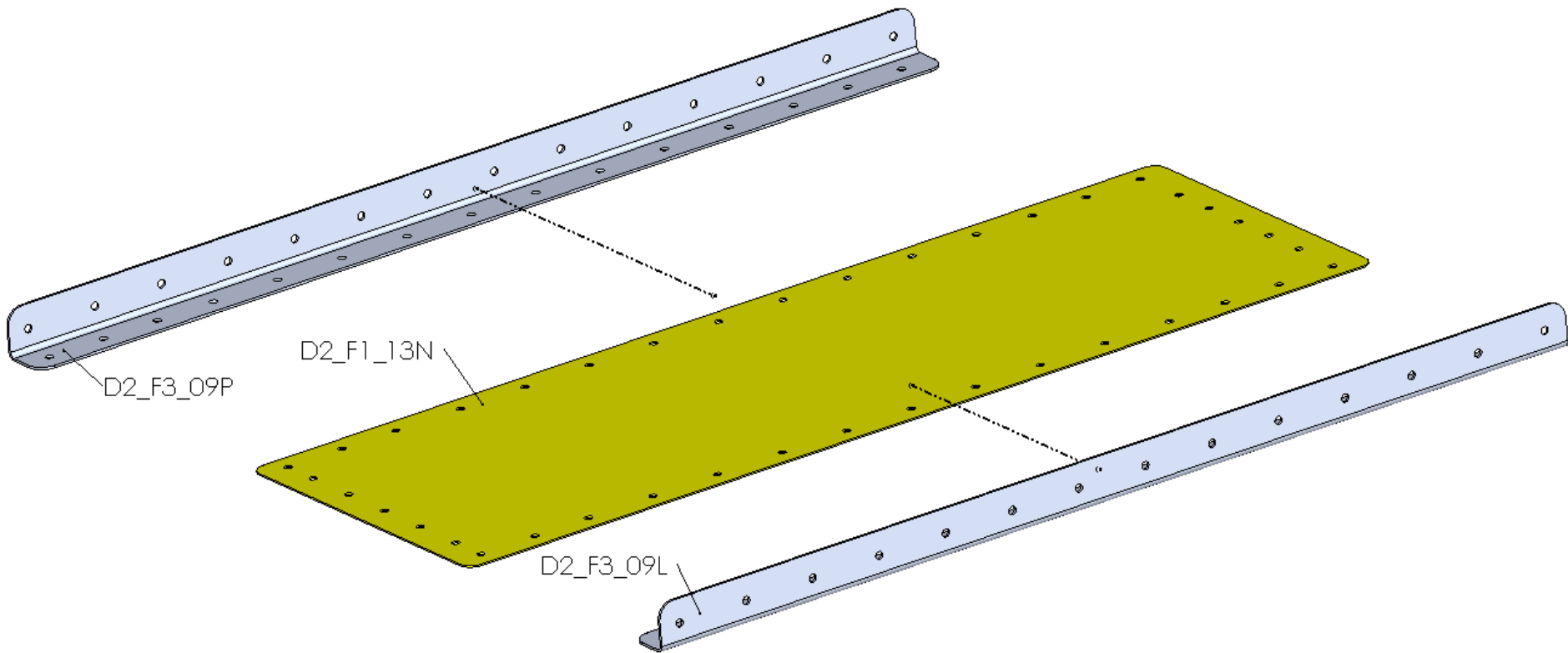
Detail: Washer DIN 9021 M8
Quantity: 1



Title	Document no.	Revision	Page	Pages
Fuselage assembly manual	D2_F0_00	Rev. 03	175	414



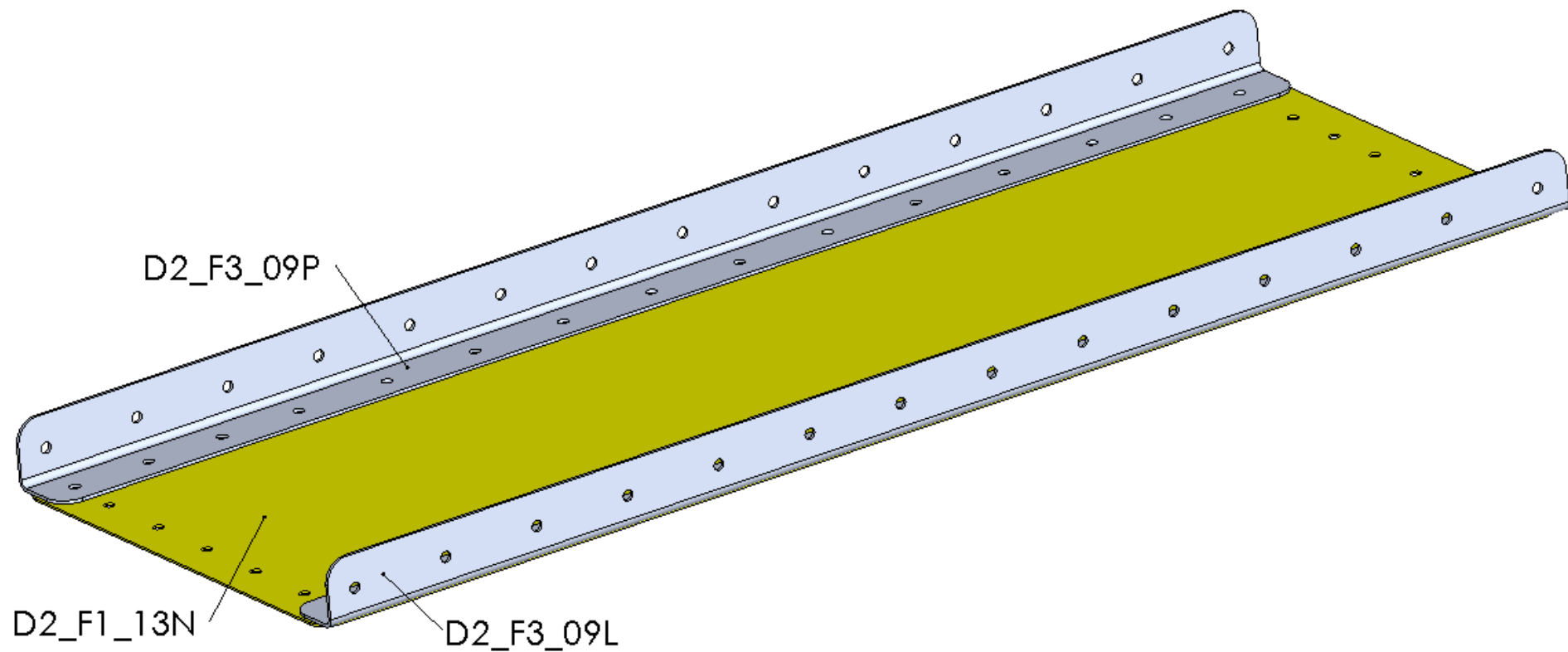
Step 1



Title	Document no.	Revision	Page	Pages
Fuselage assembly manual	D2_F0_00	Rev. 03	176	414



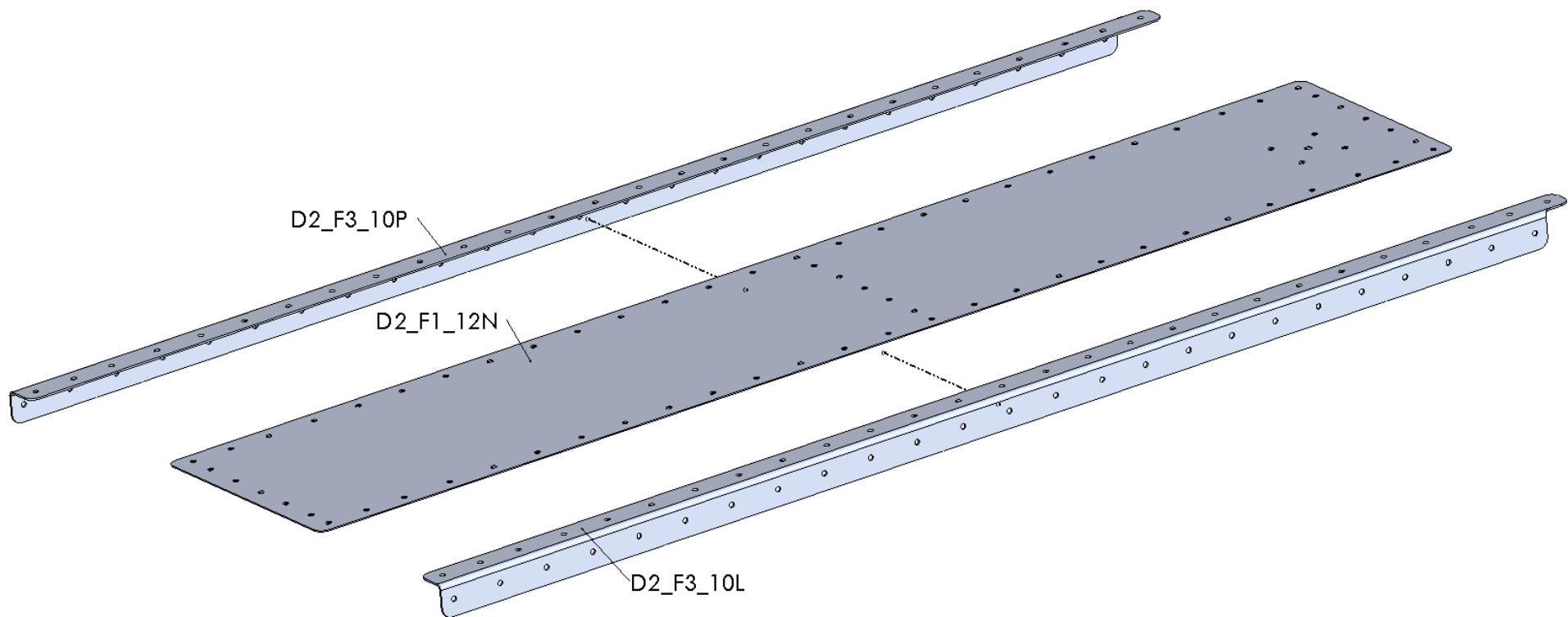
Step 2



Title	Document no.	Revision	Page	Pages
Fuselage assembly manual	D2_F0_00	Rev. 03	177	414



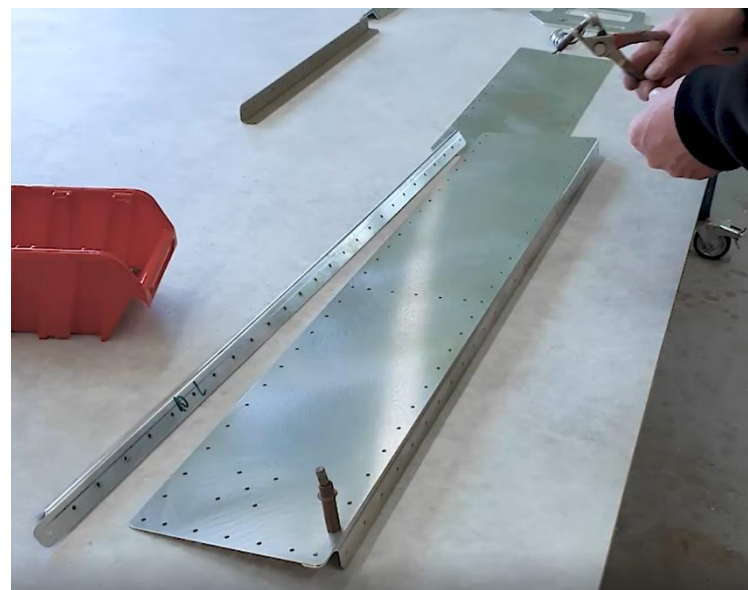
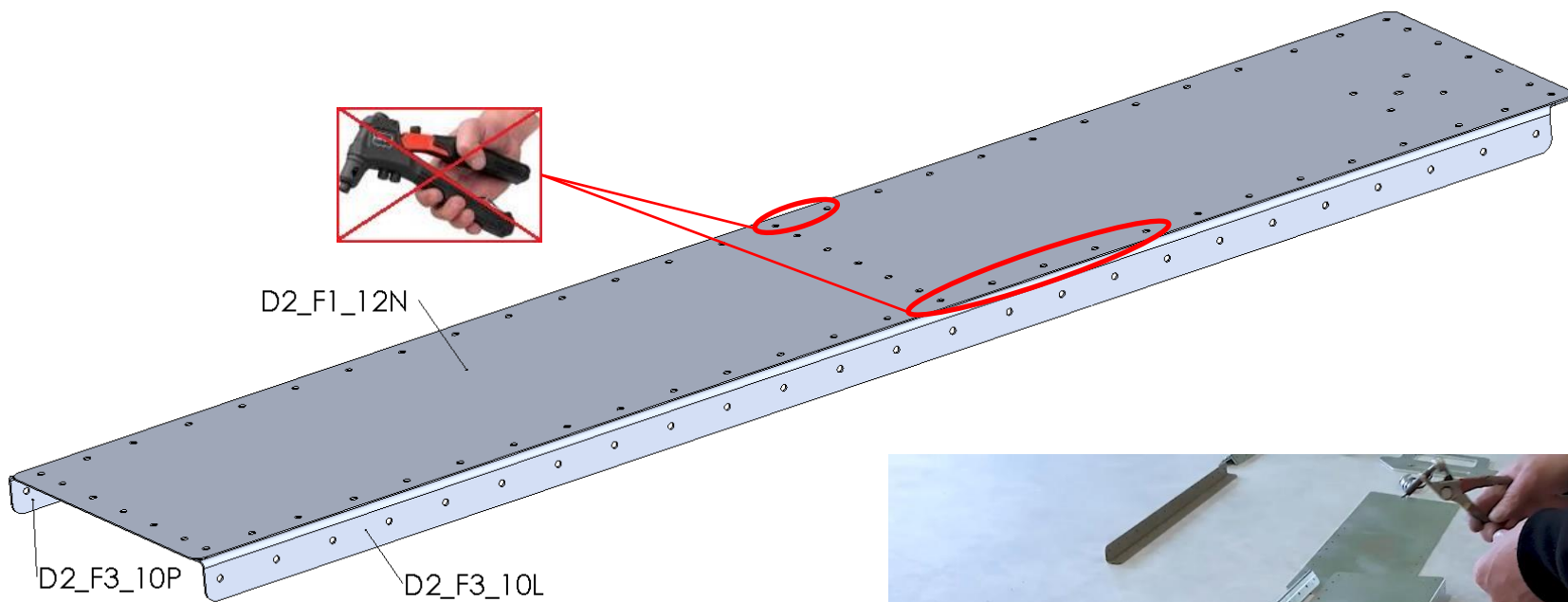
Step 3



Title	Document no.	Revision	Page	Pages
Fuselage assembly manual	D2_F0_00	Rev. 03	178	414



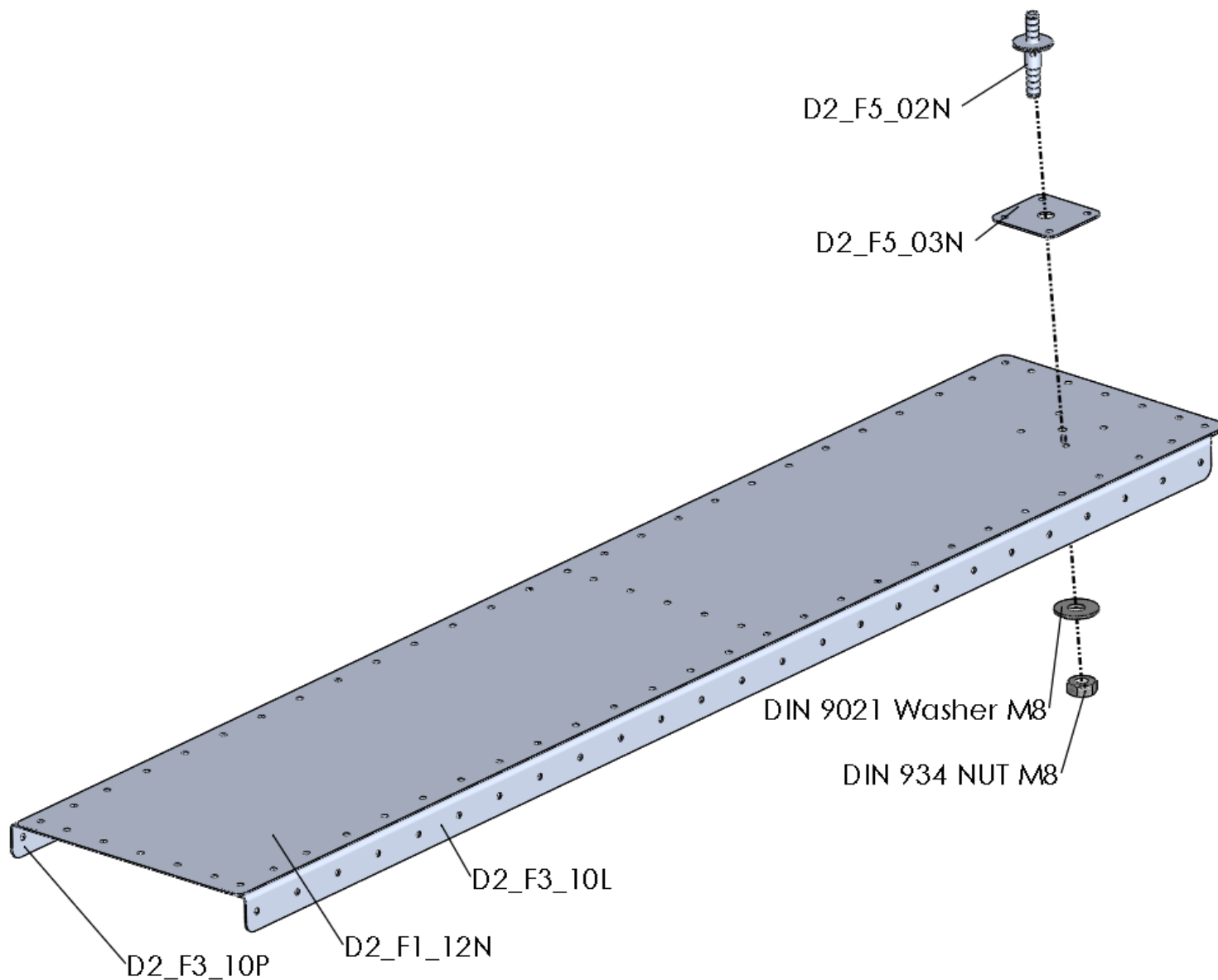
Step 4



Title	Document no.	Revision	Page	Pages
Fuselage assembly manual	D2_F0_00	Rev. 03	179	414



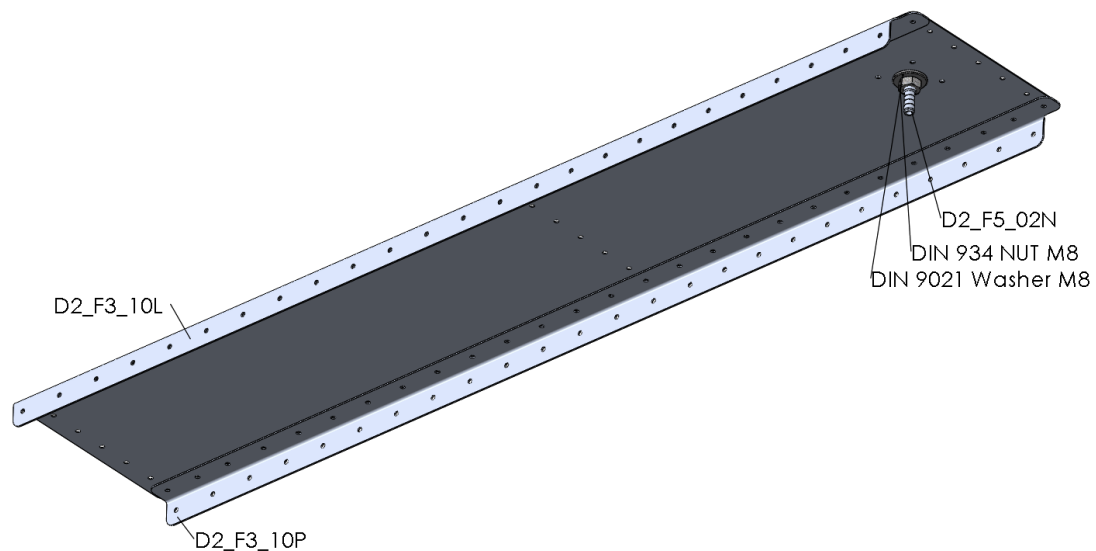
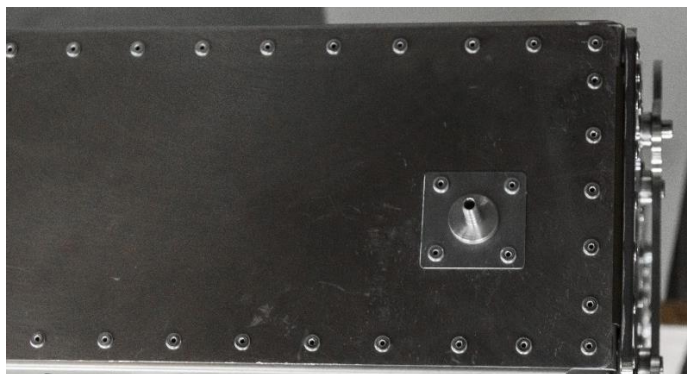
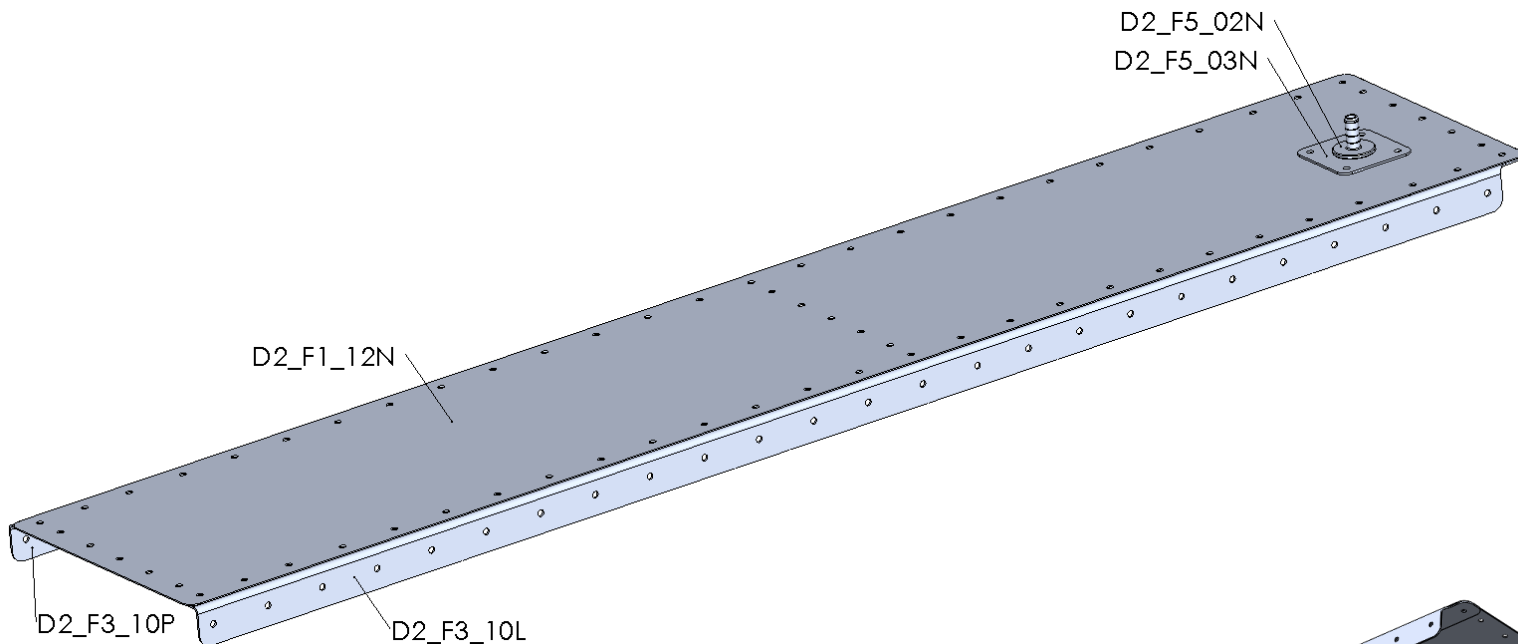
Step 5



Title	Document no.	Revision	Page	Pages
Fuselage assembly manual	D2_F0_00	Rev. 03	180	414



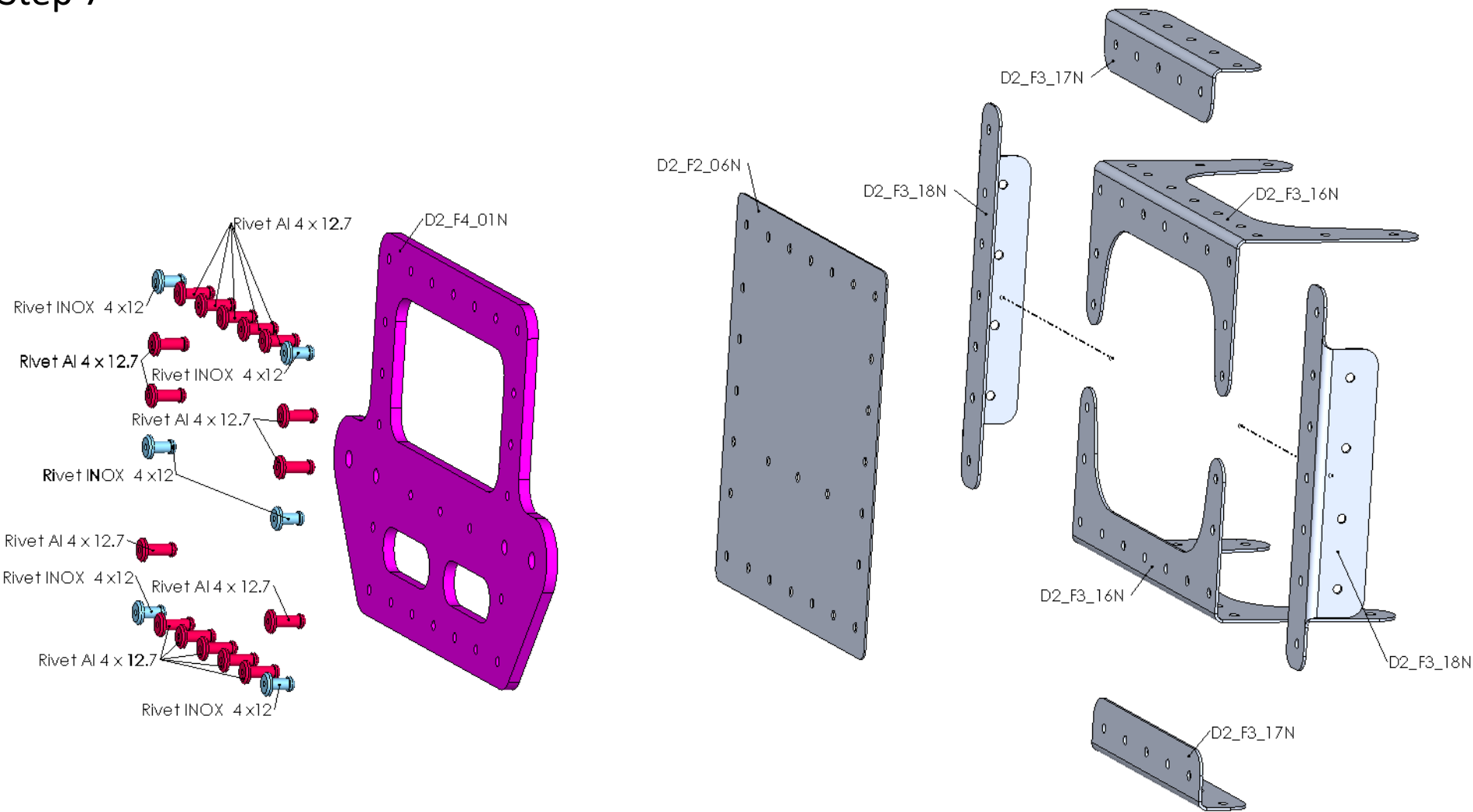
Step 6



Title	Document no.	Revision	Page	Pages
Fuselage assembly manual	D2_F0_00	Rev. 03	181	414



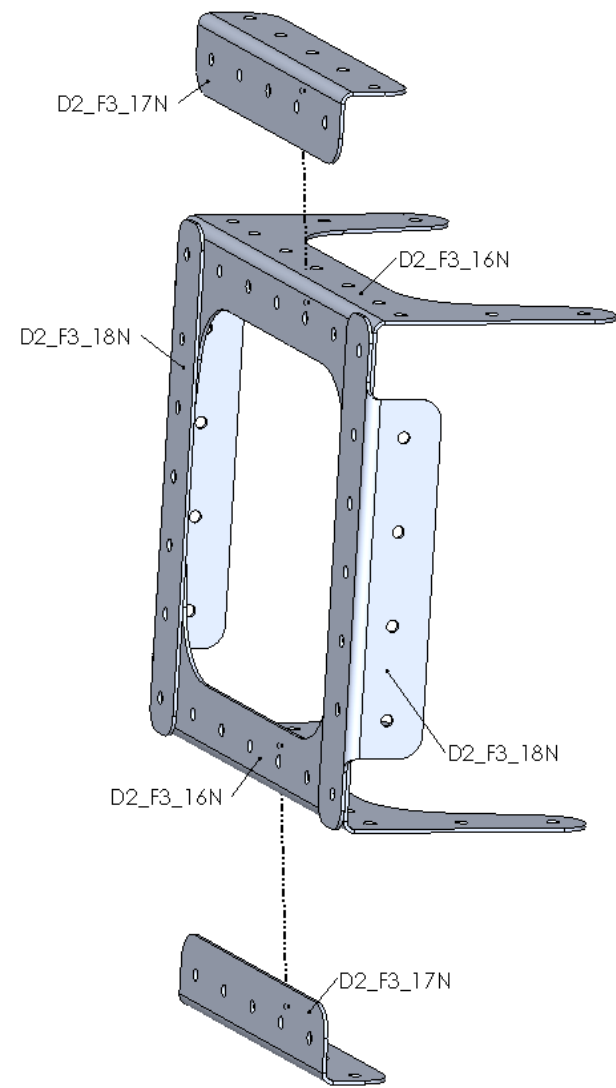
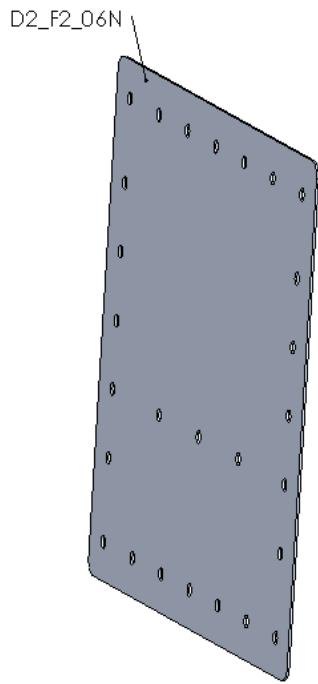
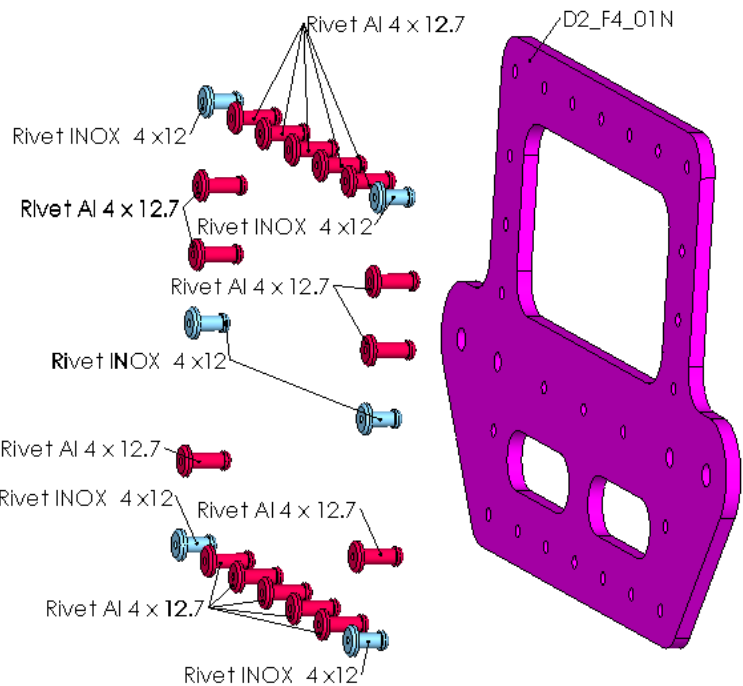
Step 7



Title	Document no.	Revision	Page	Pages
Fuselage assembly manual	D2_F0_00	Rev. 03	182	414



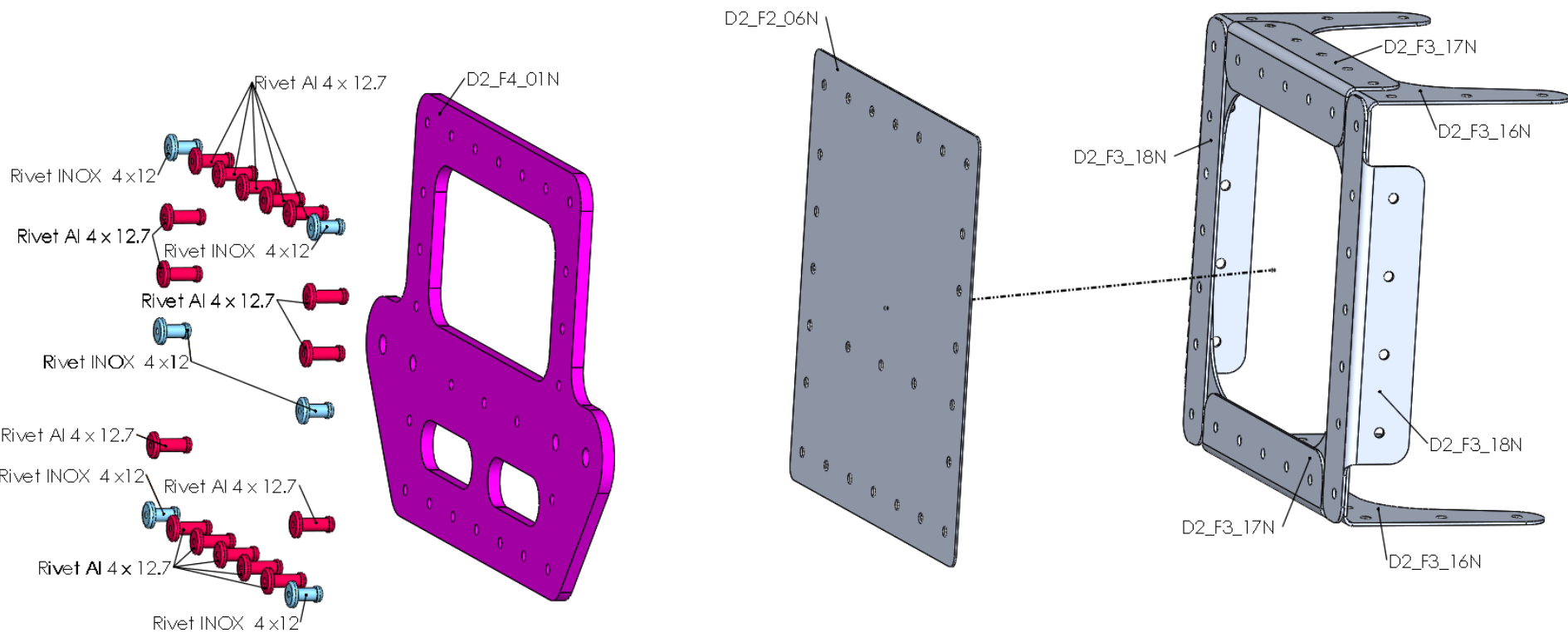
Step 8



Title	Document no.	Revision	Page	Pages
Fuselage assembly manual	D2_F0_00	Rev. 03	183	414



Step 9

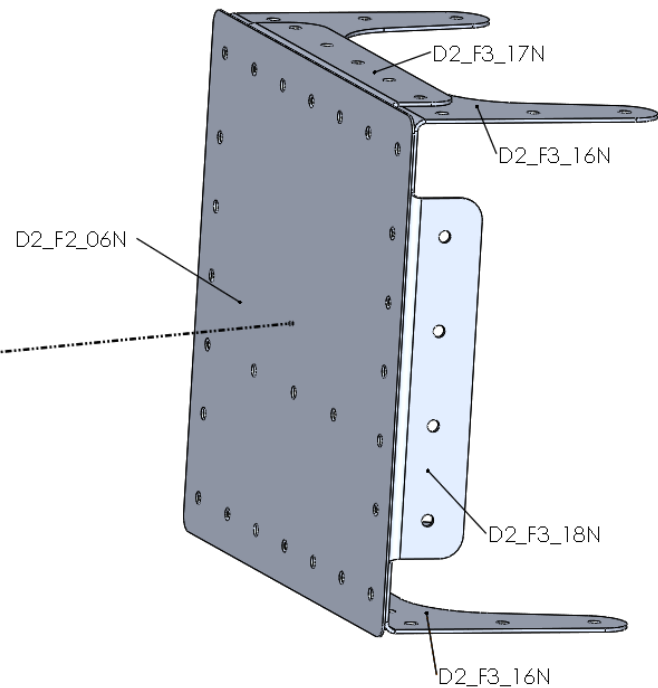
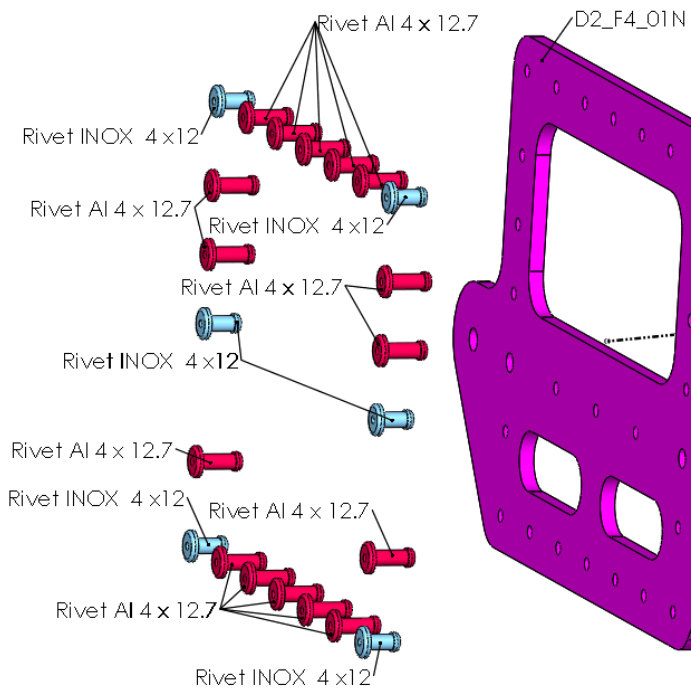


Title	Document no.	Revision	Page	Pages
Fuselage assembly manual	D2_F0_00	Rev. 03	184	414



Step 10

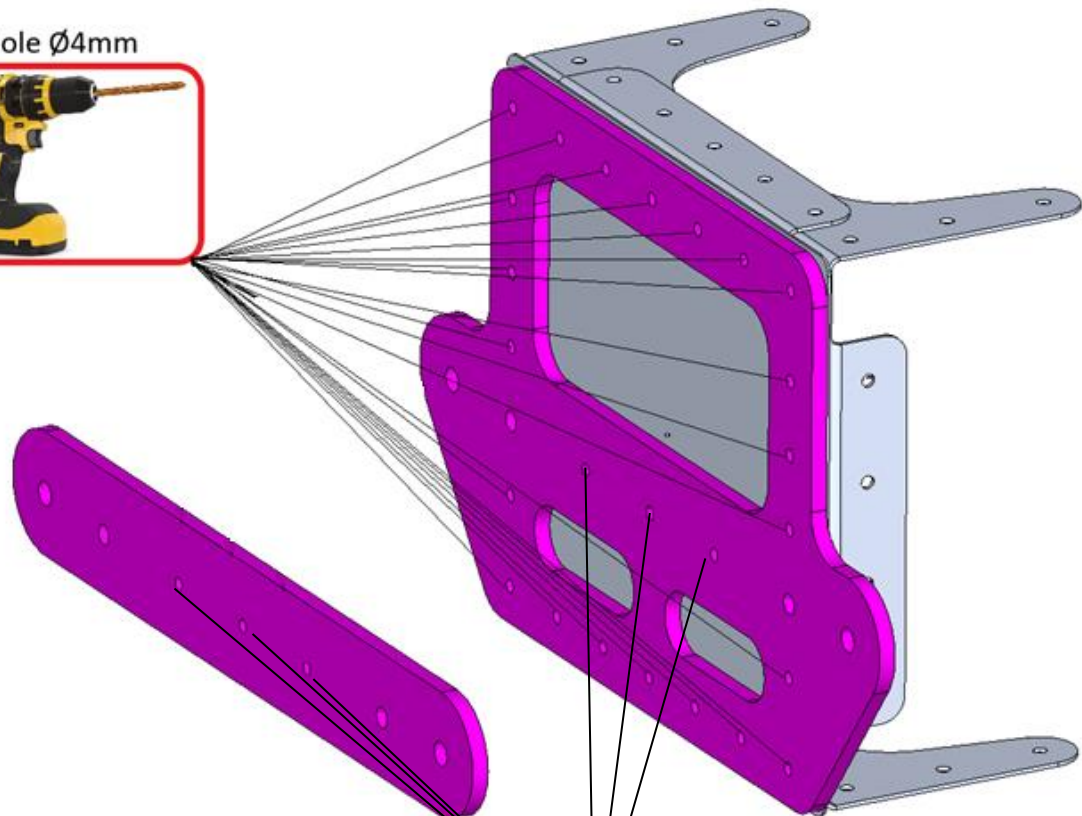
Polyurethane adhesive
Emfimastic PU-50



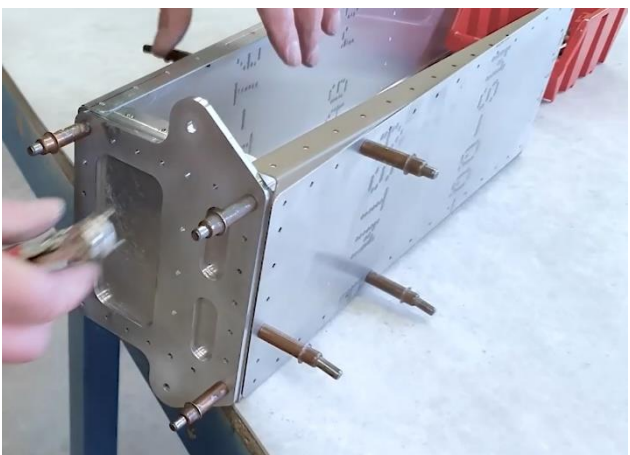
Title	Document no.	Revision	Page	Pages
Fuselage assembly manual	D2_F0_00	Rev. 03	185	414



Step 11



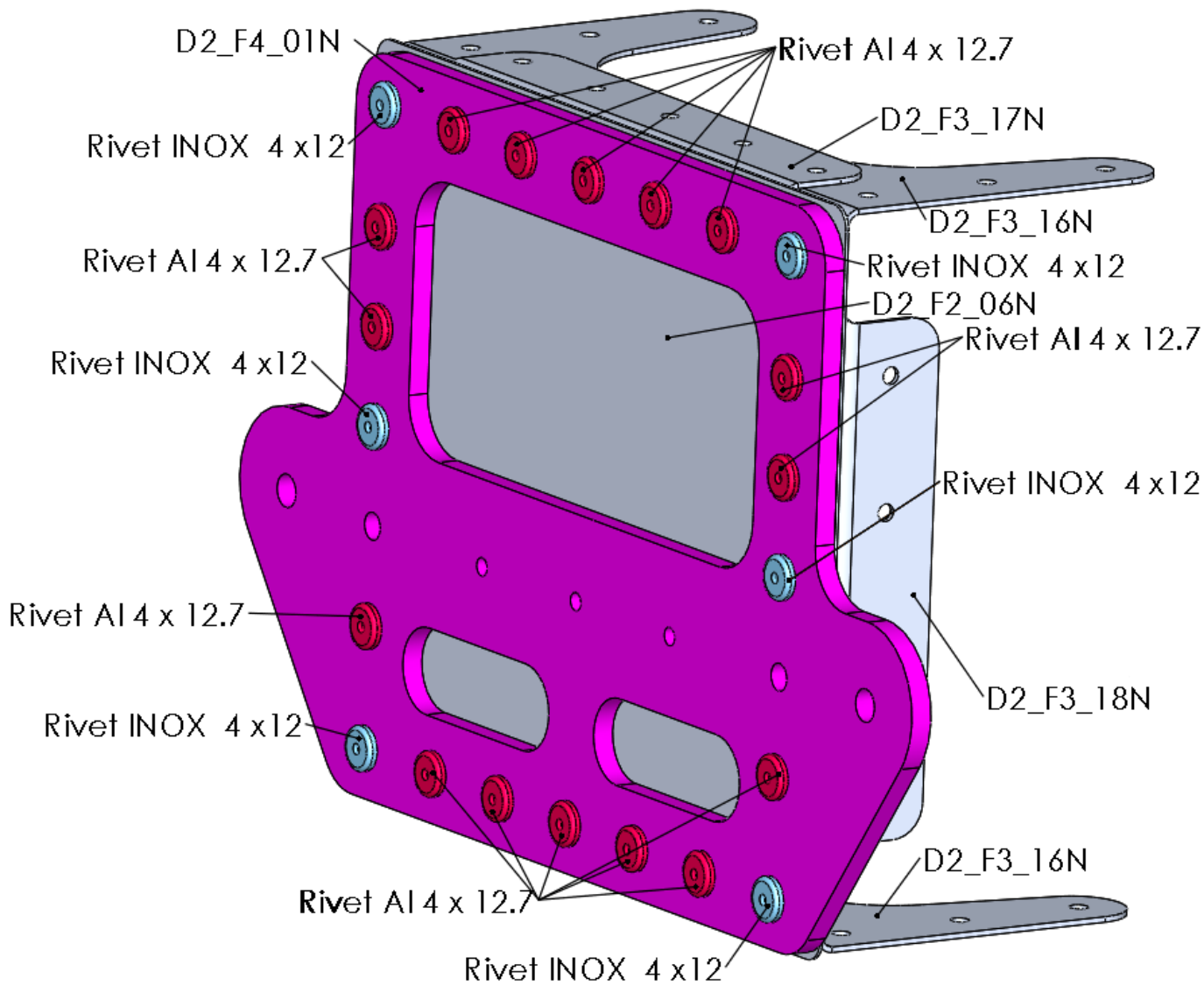
Hole Ø4,9mm



Title	Document no.	Revision	Page	Pages
Fuselage assembly manual	D2_F0_00	Rev. 03	186	414



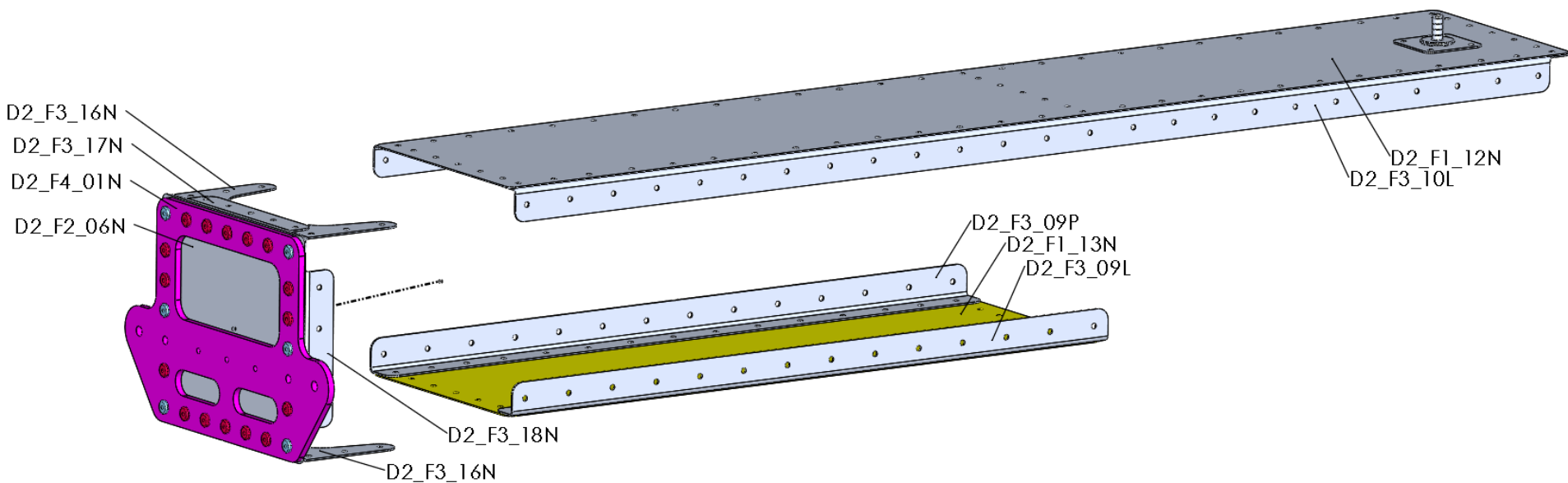
Step 12



Title	Document no.	Revision	Page	Pages
Fuselage assembly manual	D2_F0_00	Rev. 03	187	414



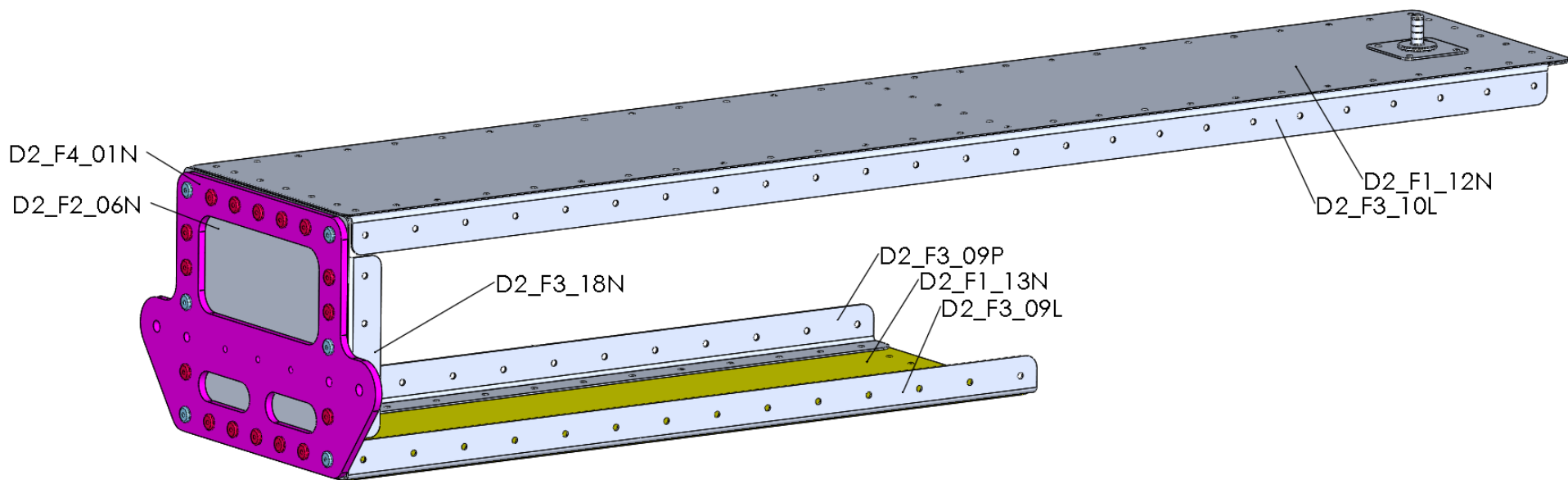
Step 13



Title	Document no.	Revision	Page	Pages
Fuselage assembly manual	D2_F0_00	Rev. 03	188	414



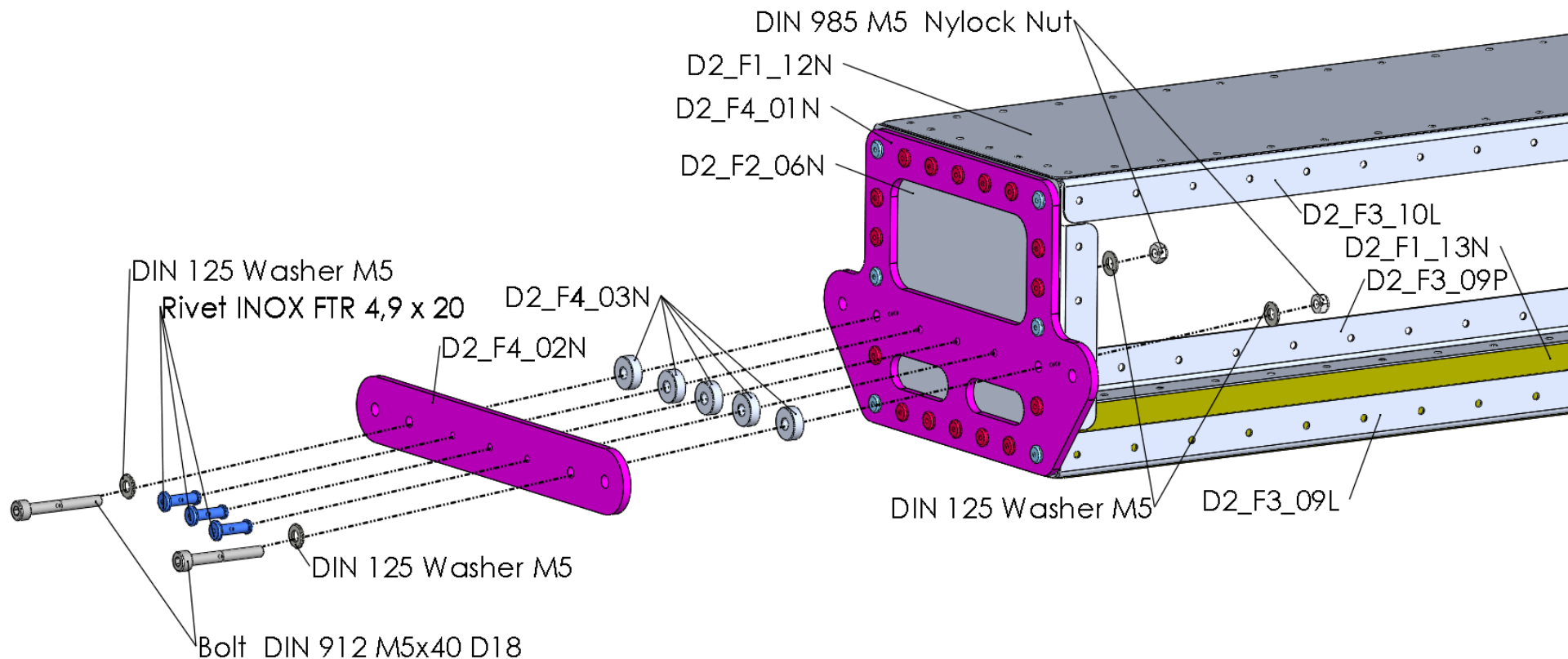
Step 14



Title	Document no.	Revision	Page	Pages
Fuselage assembly manual	D2_F0_00	Rev. 03	189	414



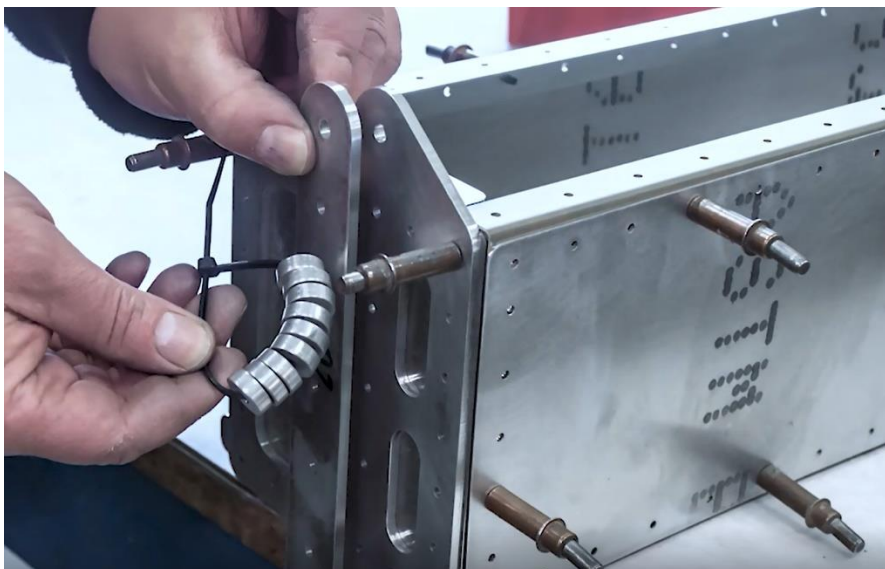
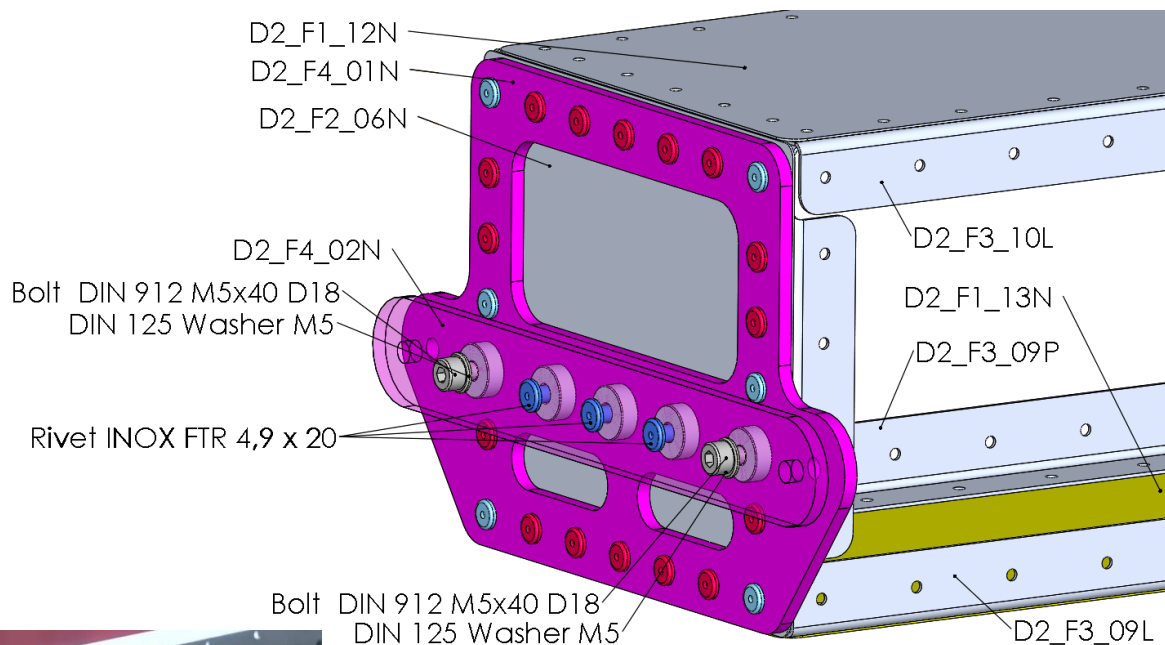
Step 15



Title	Document no.	Revision	Page	Pages
Fuselage assembly manual	D2_F0_00	Rev. 03	190	414



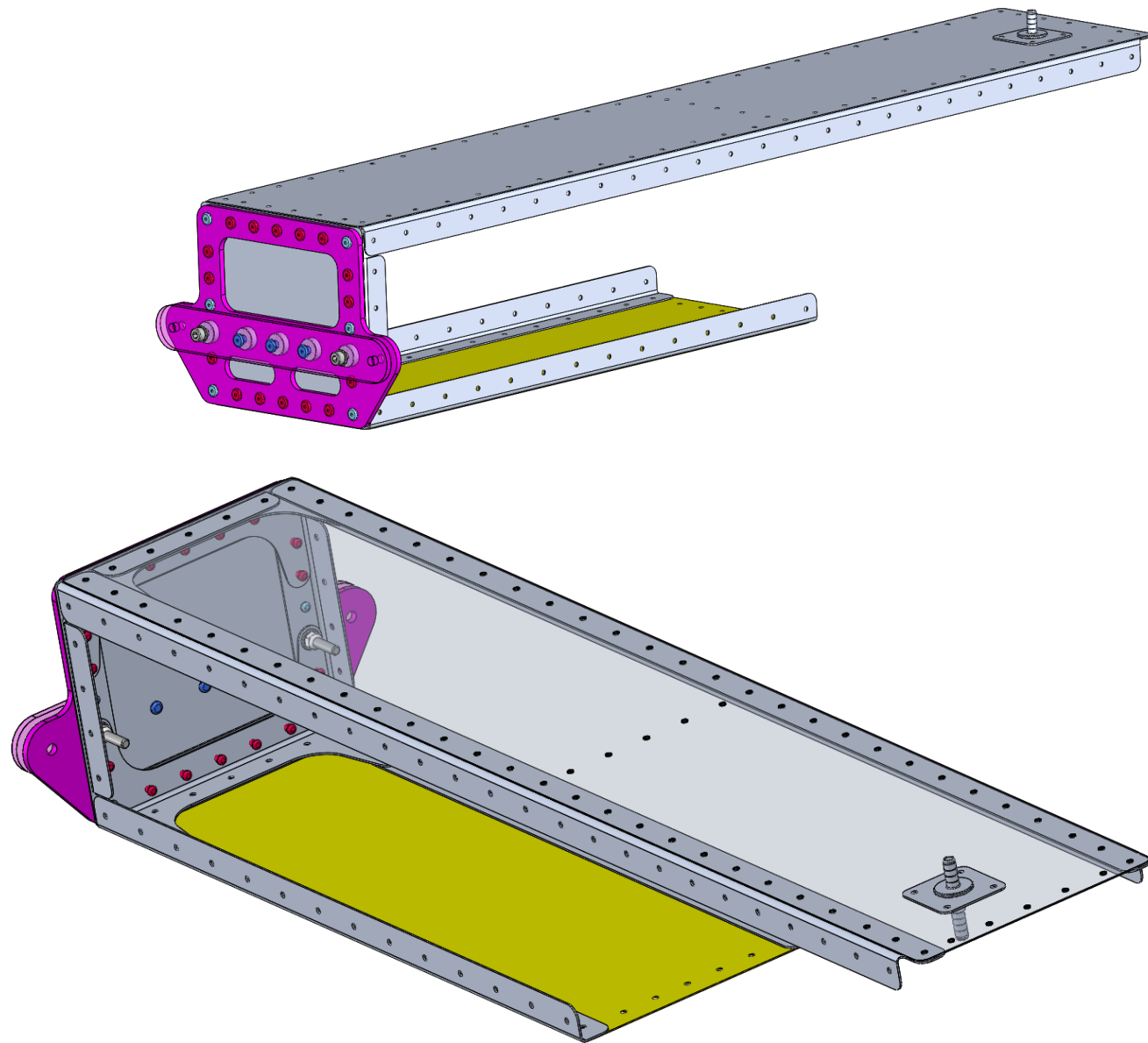
Step 16



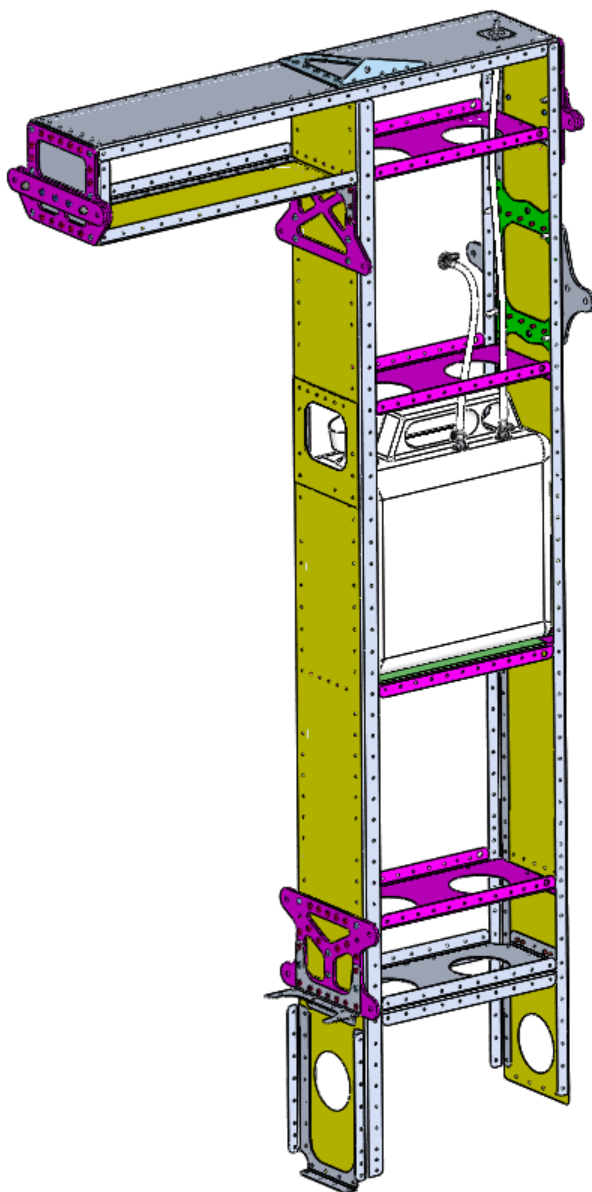
Title	Document no.	Revision	Page	Pages
Fuselage assembly manual	D2_F0_00	Rev. 03	191	414



Step 17



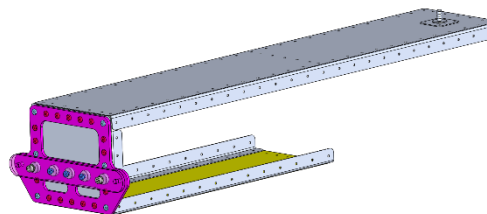
Title	Document no.	Revision	Page	Pages
Fuselage assembly manual	D2_F0_00	Rev. 03	192	414



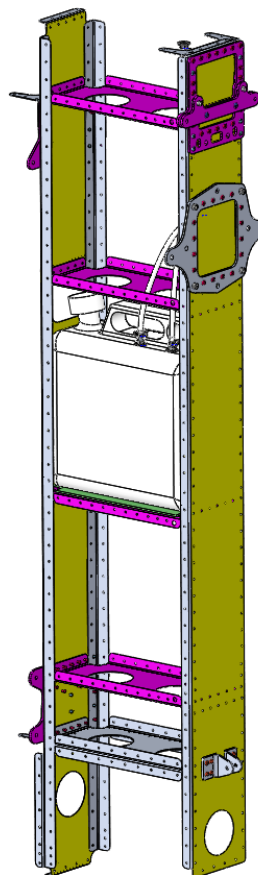
Title	Document no.	Revision	Page	Pages
Fuselage assembly manual	D2_F0_00	Rev. 03	193	414



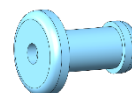
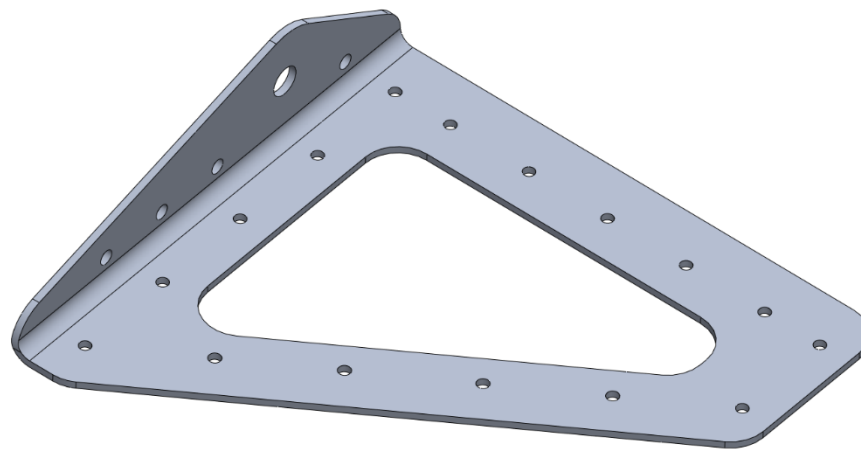
Detail: **Part 3**



Detail: **Part 2**



Title	Document no.	Revision	Page	Pages
Fuselage assembly manual	D2_F0_00	Rev. 03	194	414



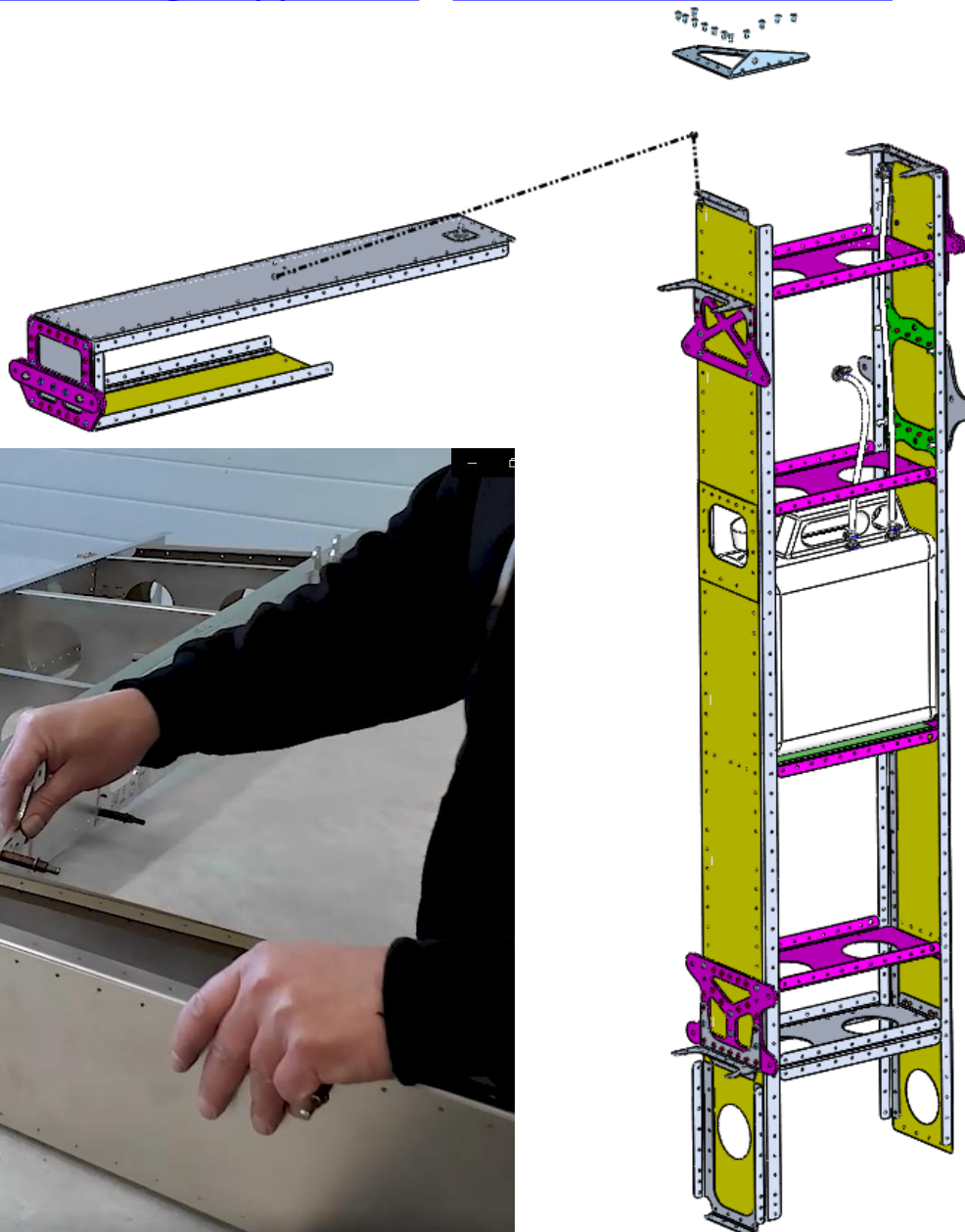
Detail: D2_F6_02N
Quantity: 1

Detail: Rivet INOX 4 x12
Quantity: 12

Title	Document no.	Revision	Page	Pages
Fuselage assembly manual	D2_F0_00	Rev. 03	195	414



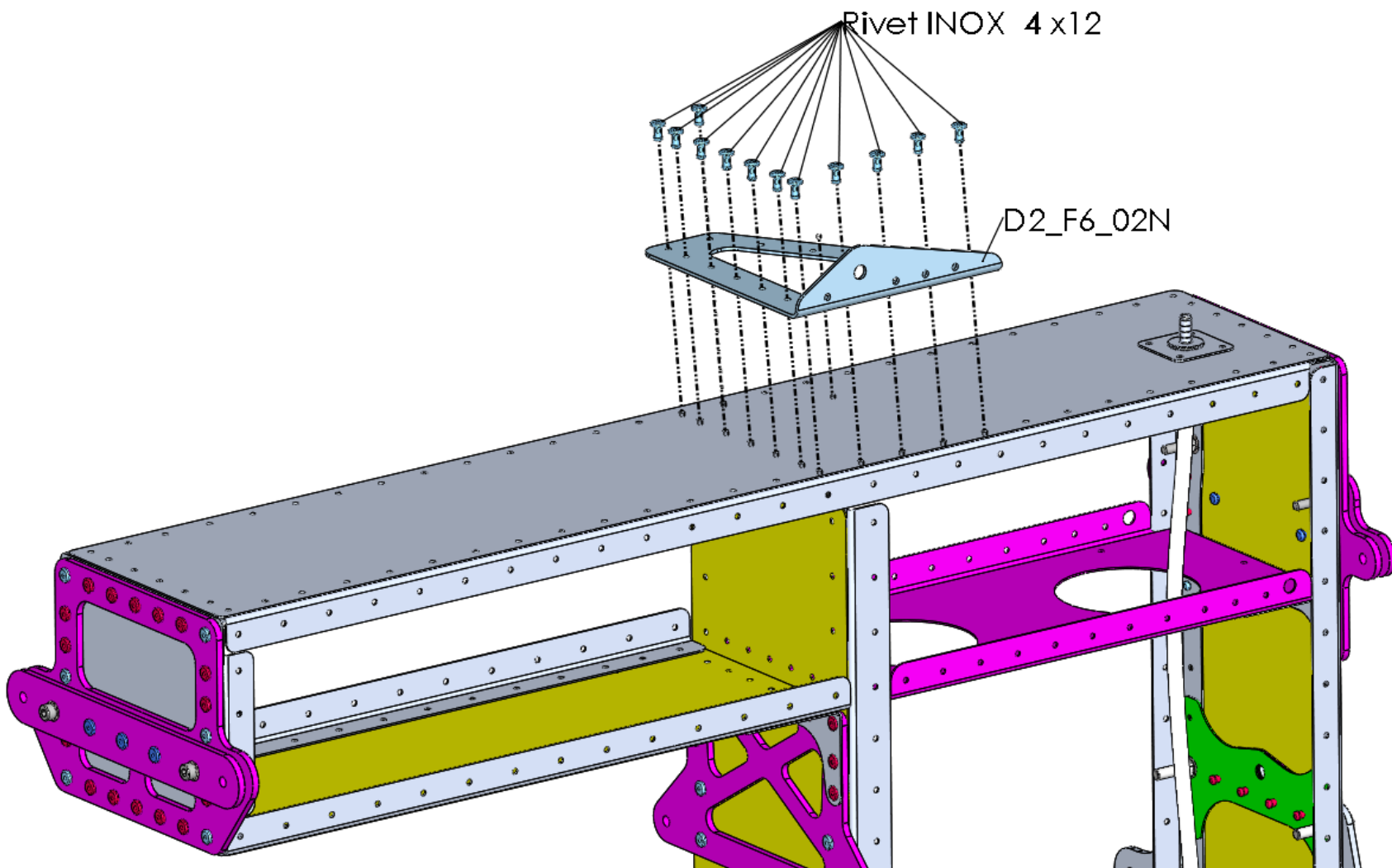
Step 1



Title	Document no.	Revision	Page	Pages
Fuselage assembly manual	D2_F0_00	Rev. 03	196	414



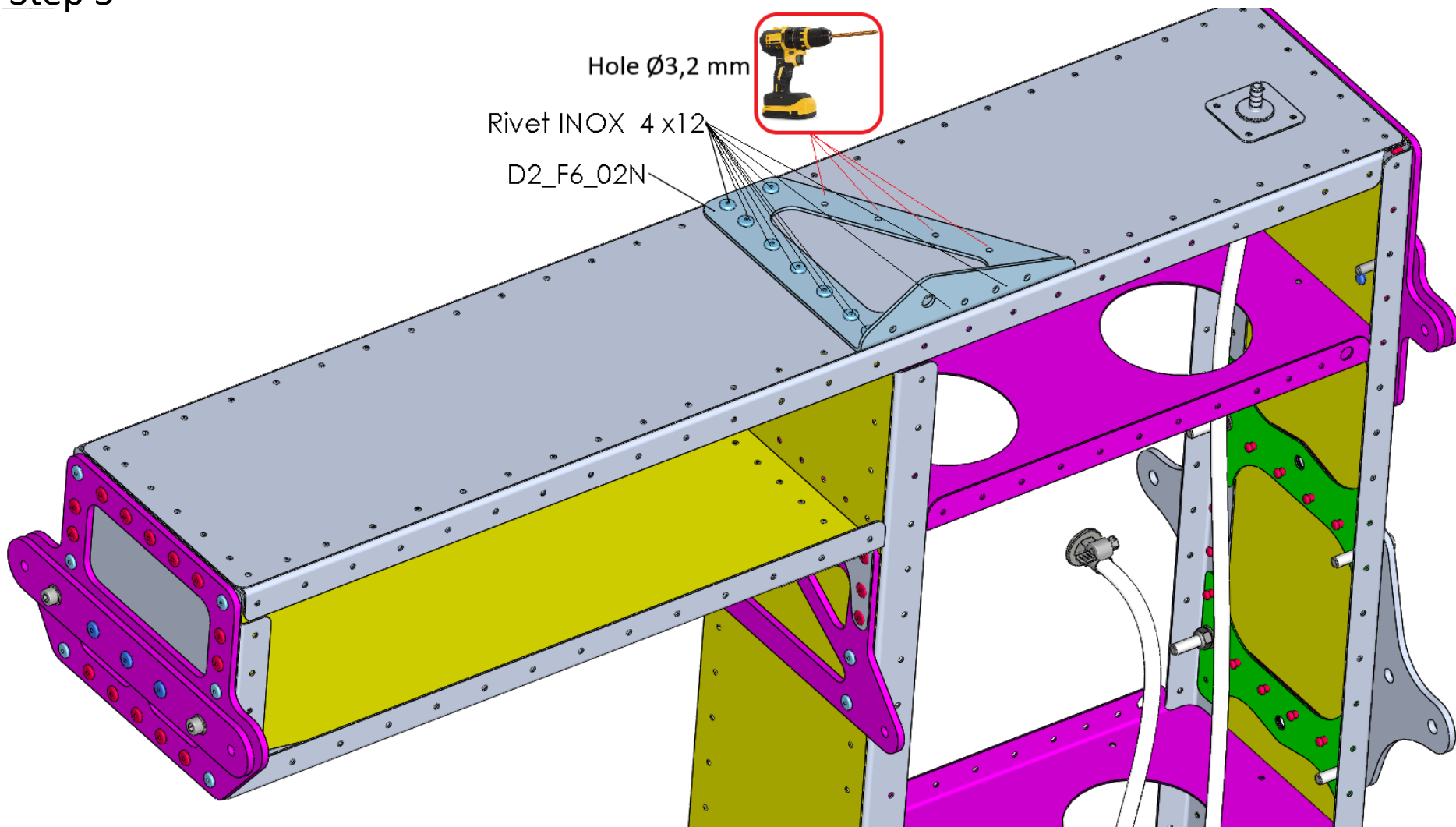
Step 2



Title	Document no.	Revision	Page	Pages
Fuselage assembly manual	D2_F0_00	Rev. 03	197	414



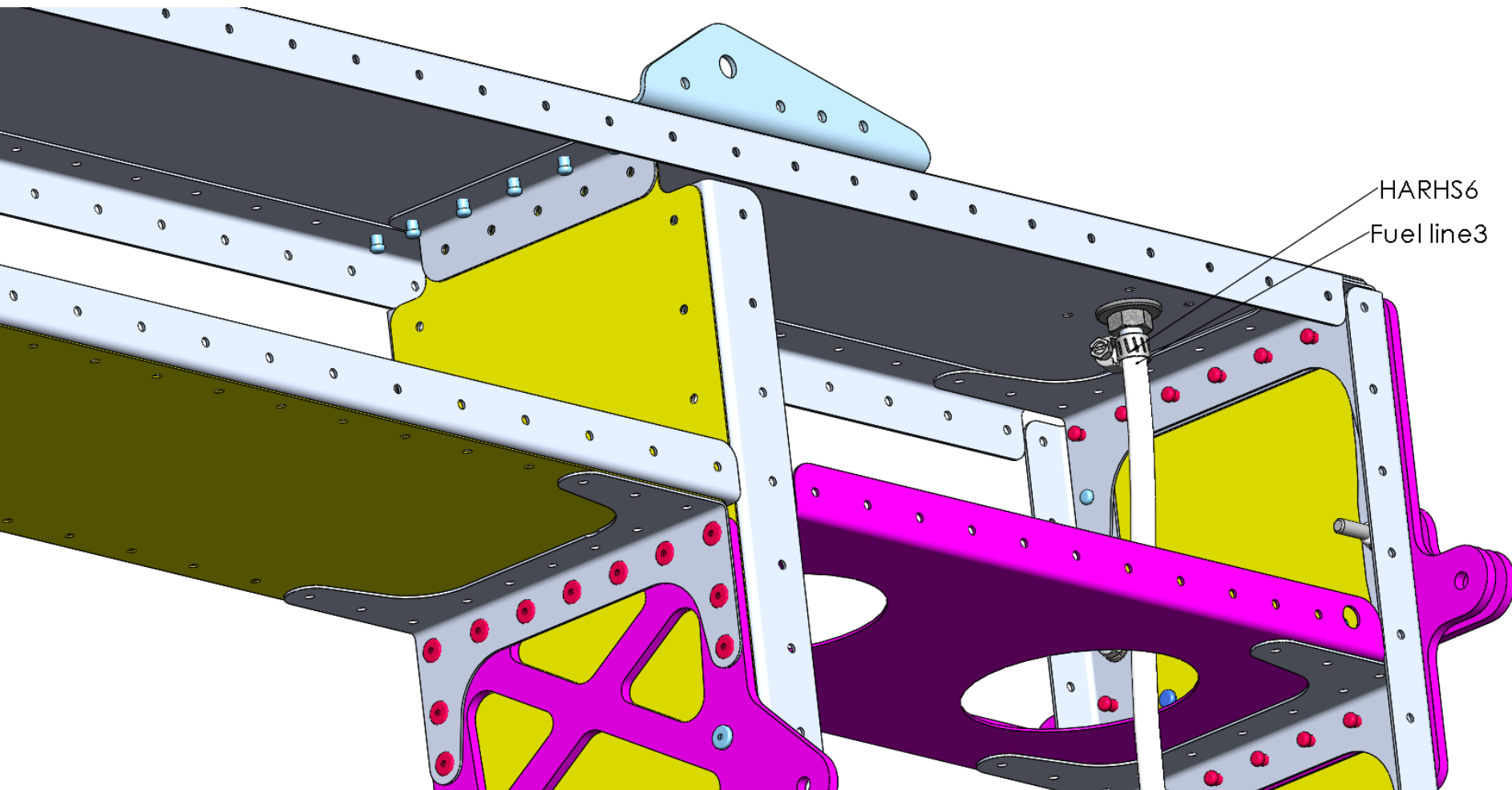
Step 3



Title	Document no.	Revision	Page	Pages
Fuselage assembly manual	D2_F0_00	Rev. 03	198	414



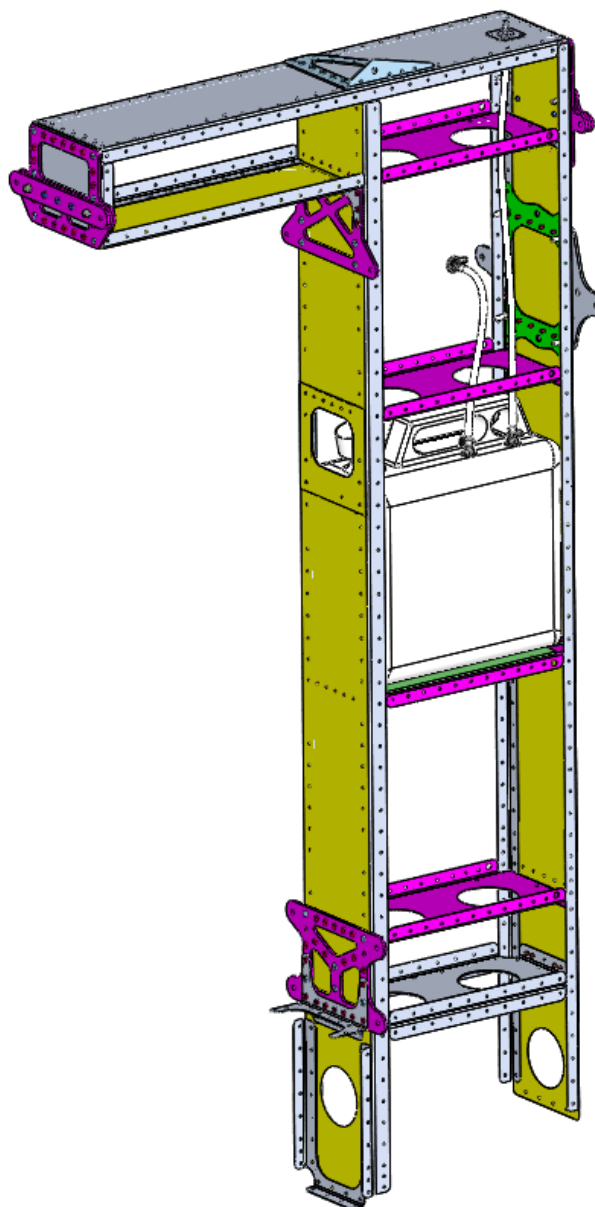
Step 4



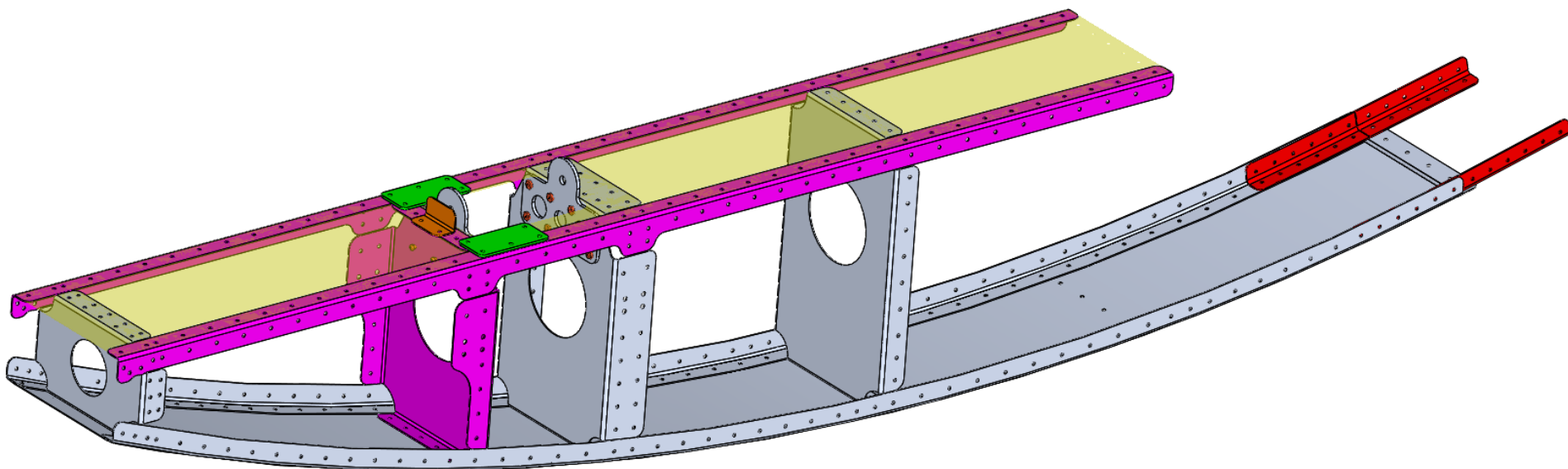
Title	Document no.	Revision	Page	Pages
Fuselage assembly manual	D2_F0_00	Rev. 03	199	414



Step 5



Title	Document no.	Revision	Page	Pages
Fuselage assembly manual	D2_F0_00	Rev. 03	200	414

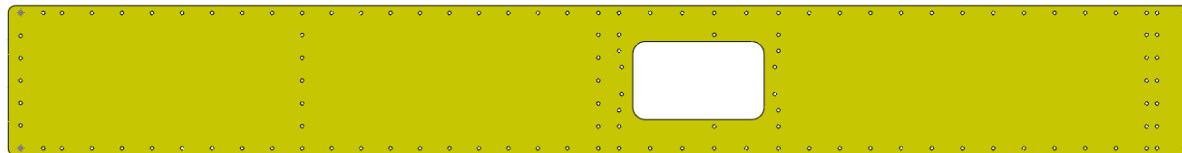


Title	Document no.	Revision	Page	Pages
Fuselage assembly manual	D2_F0_00	Rev. 03	201	414



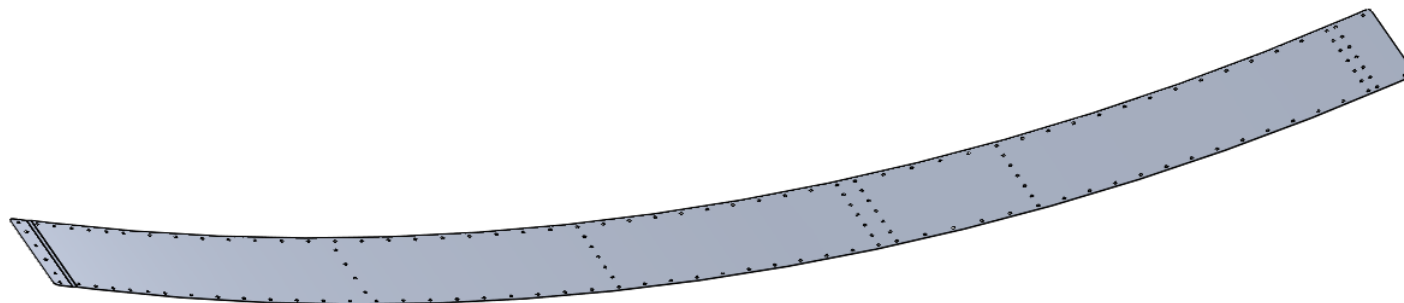
Detail: D2_F1_04N

Quantity: 1



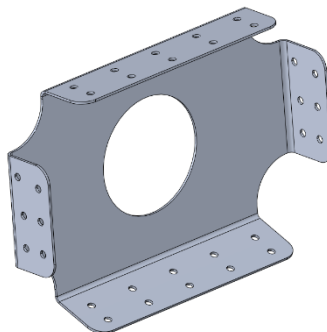
Detail: D2_F1_07N

Quantity: 1



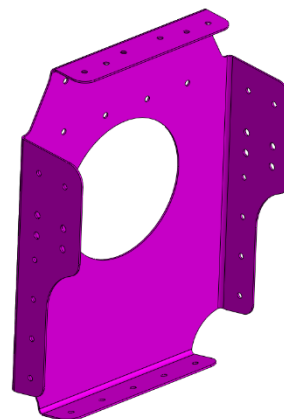
Detail: D2_F2_01N

Quantity: 1



Detail: D2_F2_02N

Quantity: 1

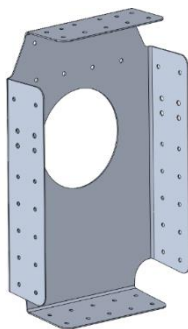


Title	Document no.	Revision	Page	Pages
Fuselage assembly manual	D2_F0_00	Rev. 03	202	414



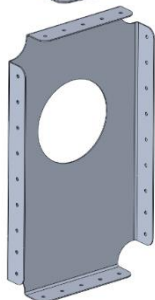
Detail: D2_F2_03N

Quantity: 1



Detail: D2_F2_04N

Quantity: 1



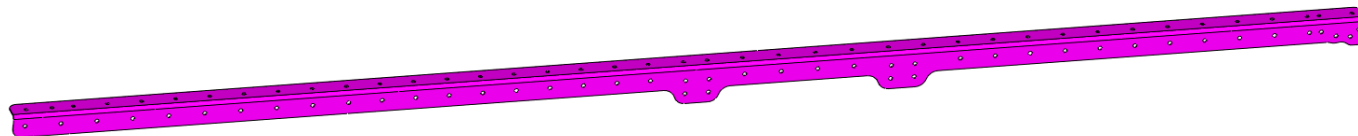
Detail: D2_F3_01L

Quantity: 1



Detail: D2_F3_01P

Quantity: 1

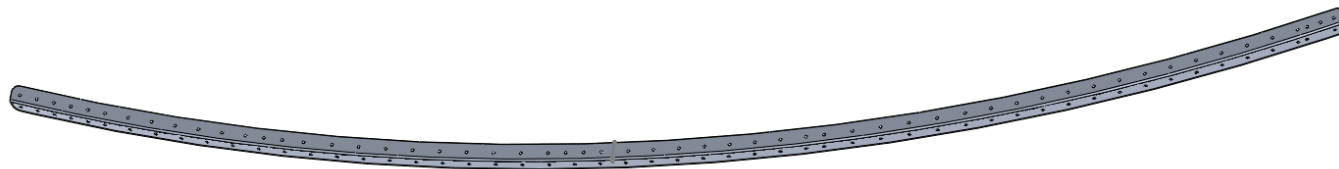


Title	Document no.	Revision	Page	Pages
Fuselage assembly manual	D2_F0_00	Rev. 03	203	414



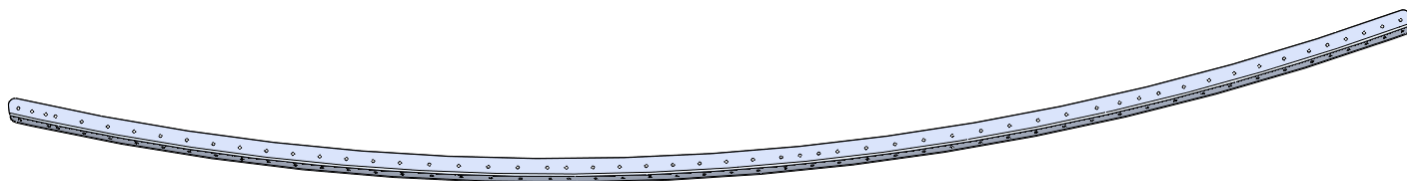
Detail: D2_F3_02L

Quantity: 1



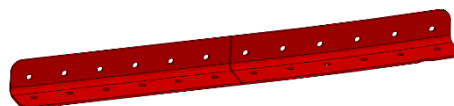
Detail: D2_F3_02P

Quantity: 1



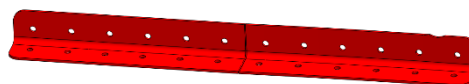
Detail: D2_F3_25L

Quantity: 1



Detail: D2_F3_25P

Quantity: 1

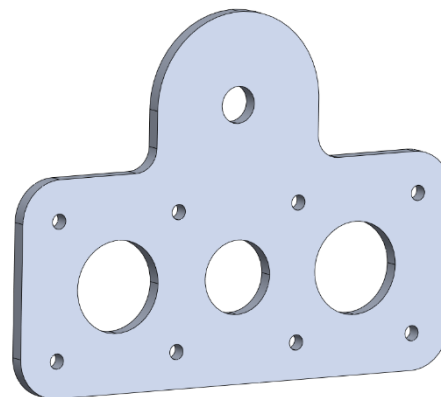


Title	Document no.	Revision	Page	Pages
Fuselage assembly manual	D2_F0_00	Rev. 03	204	414



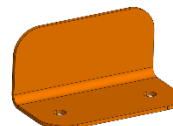
Detail: D2_F4_15N

Quantity: 2



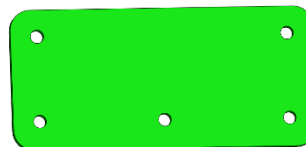
Detail: D2_F4_16N

Quantity: 1



Detail: D2_F4_30N

Quantity: 2



Detail: Rivet Al 4 x 9.5

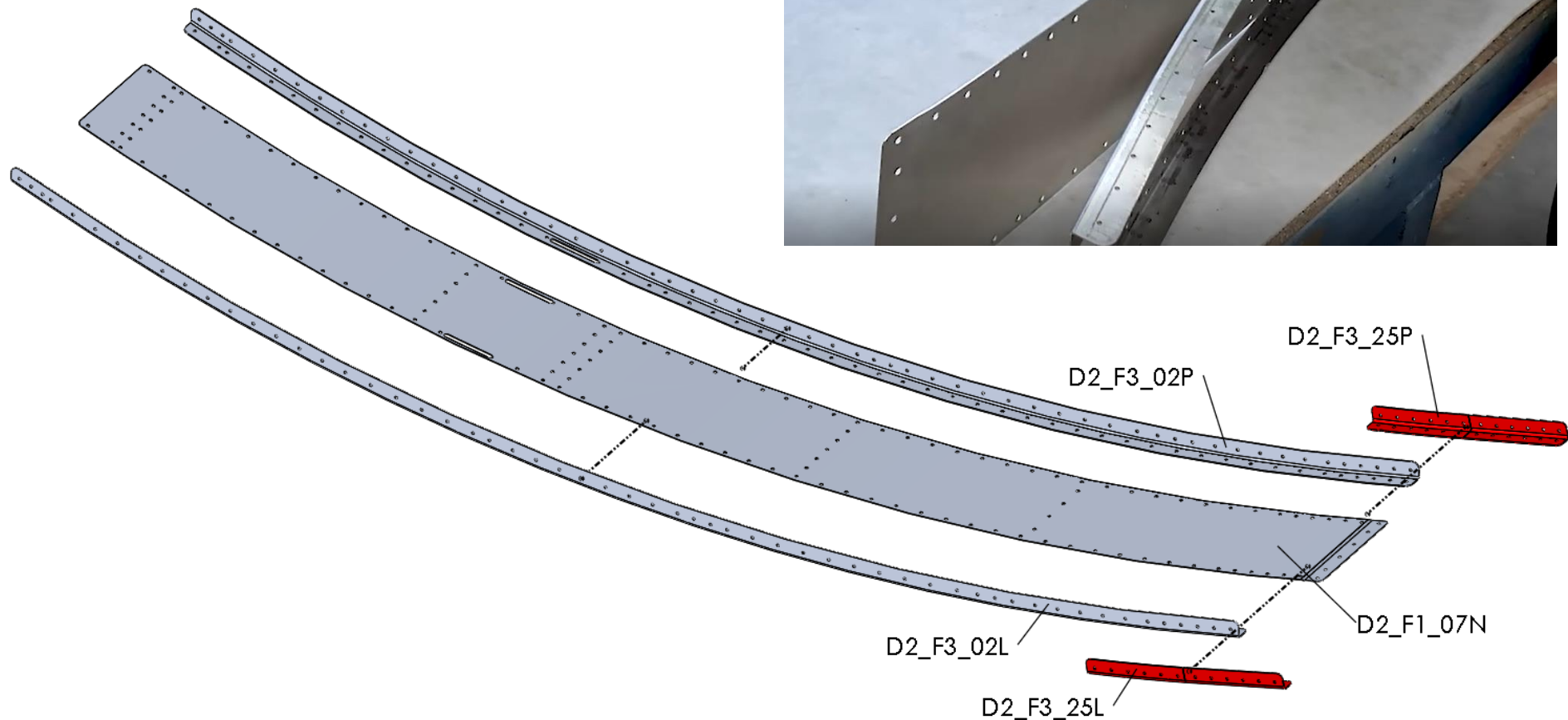
Quantity: 16



Title	Document no.	Revision	Page	Pages
Fuselage assembly manual	D2_F0_00	Rev. 03	205	414



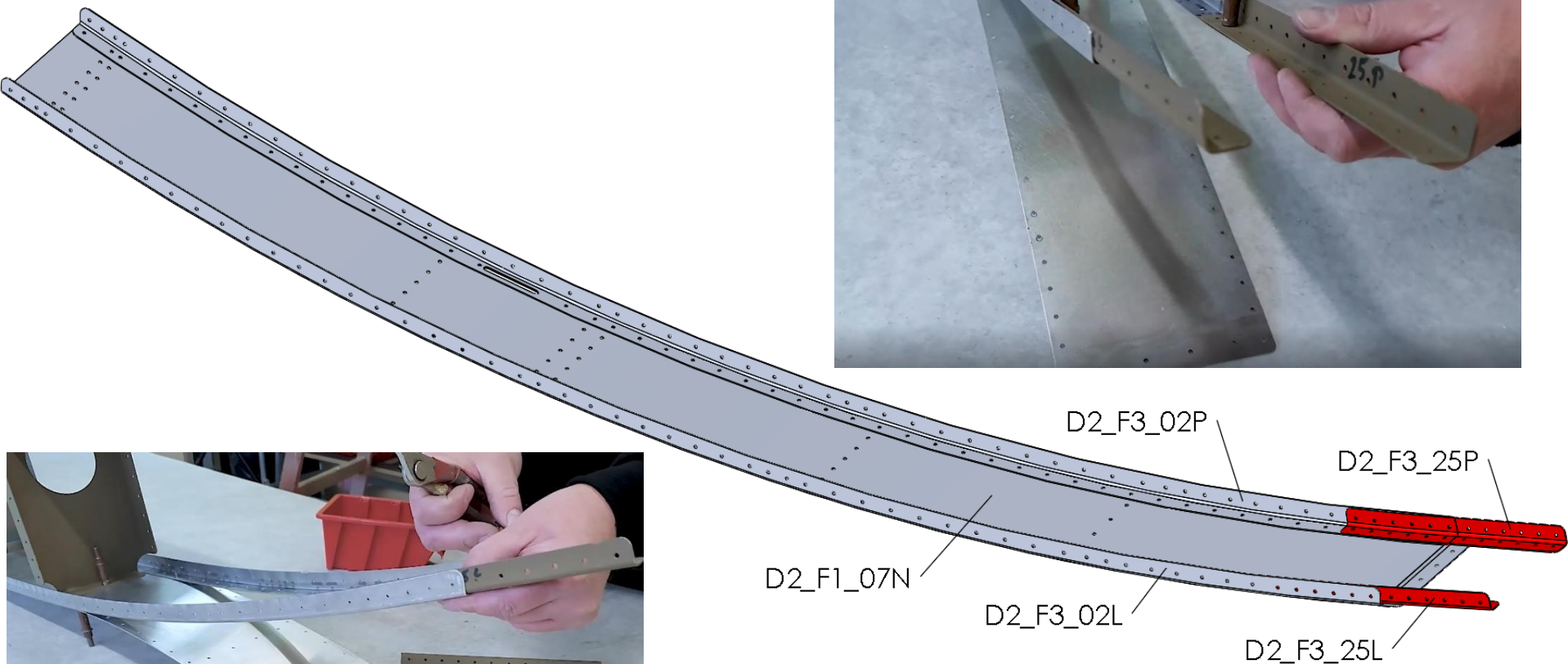
Step 1



Title	Document no.	Revision	Page	Pages
Fuselage assembly manual	D2_F0_00	Rev. 03	206	414



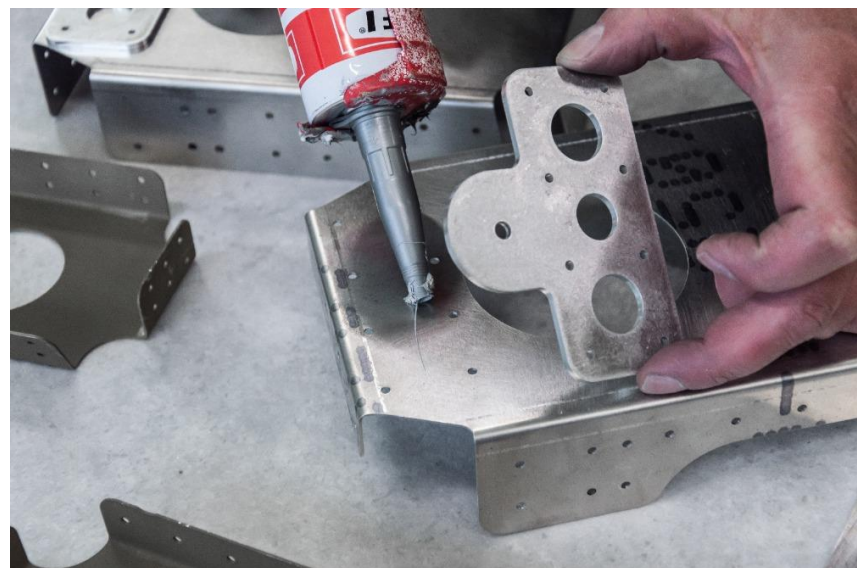
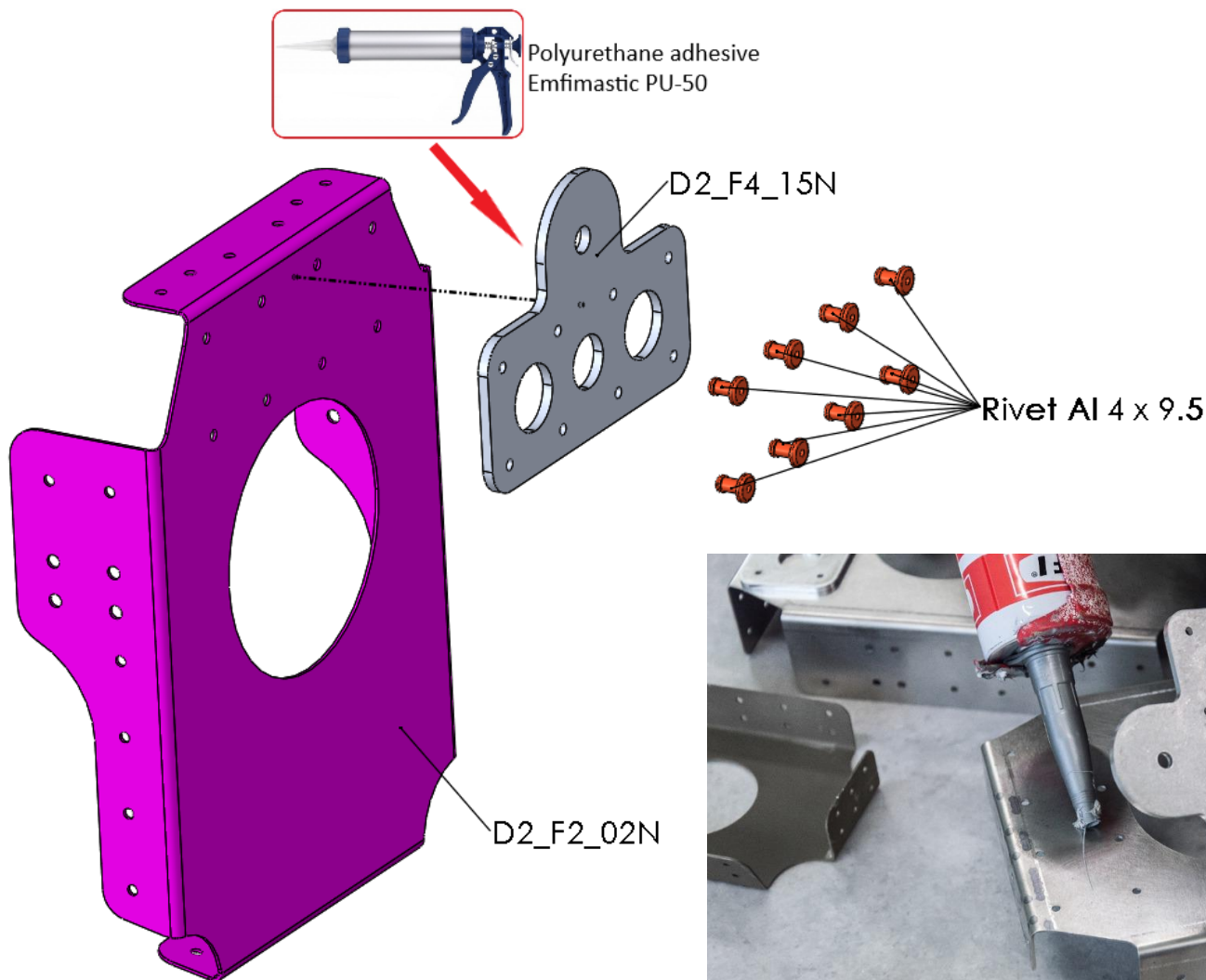
Step 2



Title	Document no.	Revision	Page	Pages
Fuselage assembly manual	D2_F0_00	Rev. 03	207	414



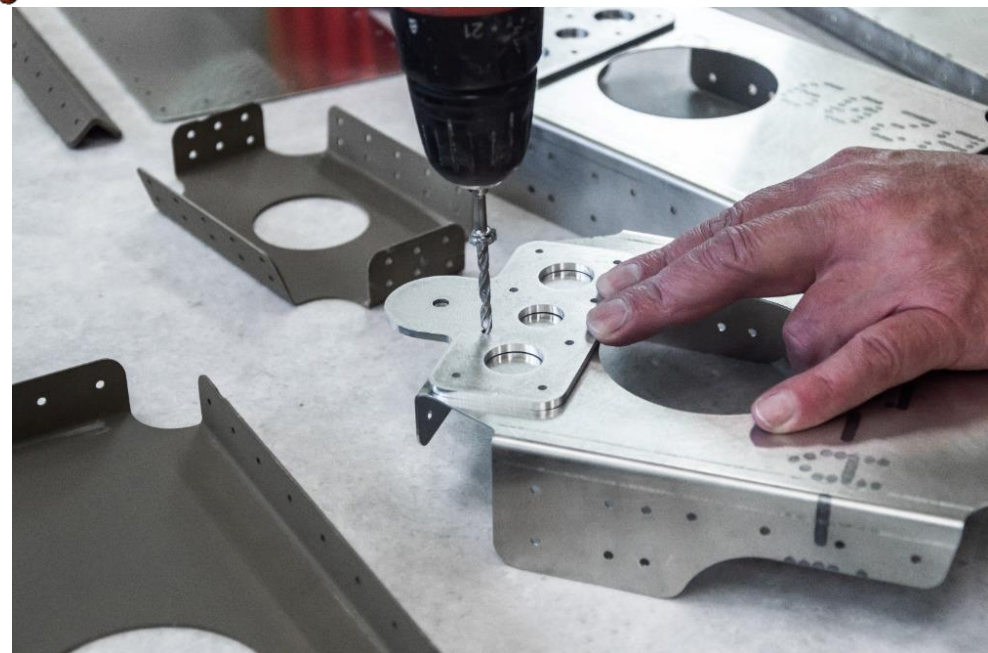
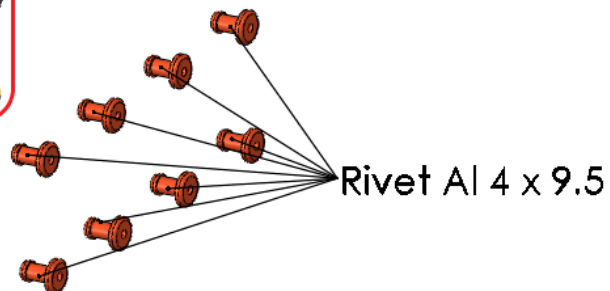
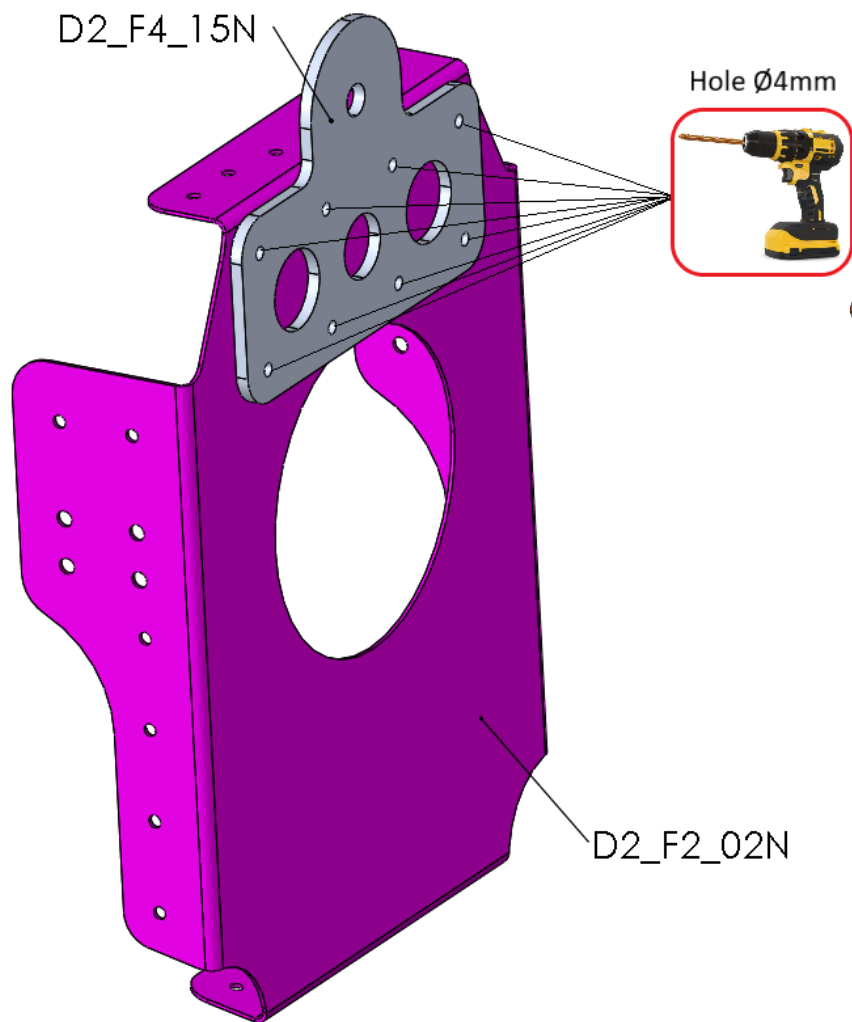
Step 3



Title	Document no.	Revision	Page	Pages
Fuselage assembly manual	D2_F0_00	Rev. 03	208	414



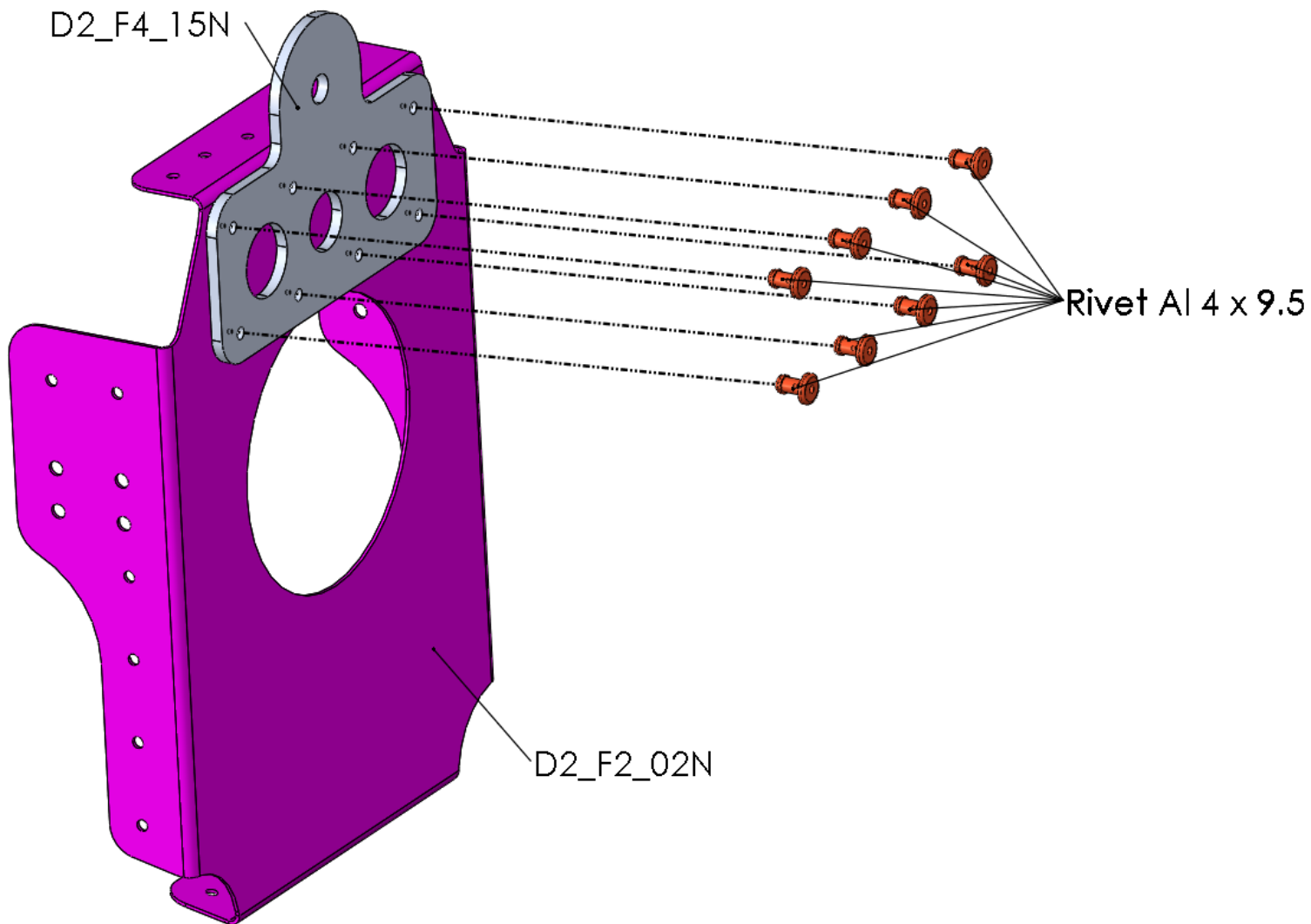
Step 4



Title	Document no.	Revision	Page	Pages
Fuselage assembly manual	D2_F0_00	Rev. 03	209	414



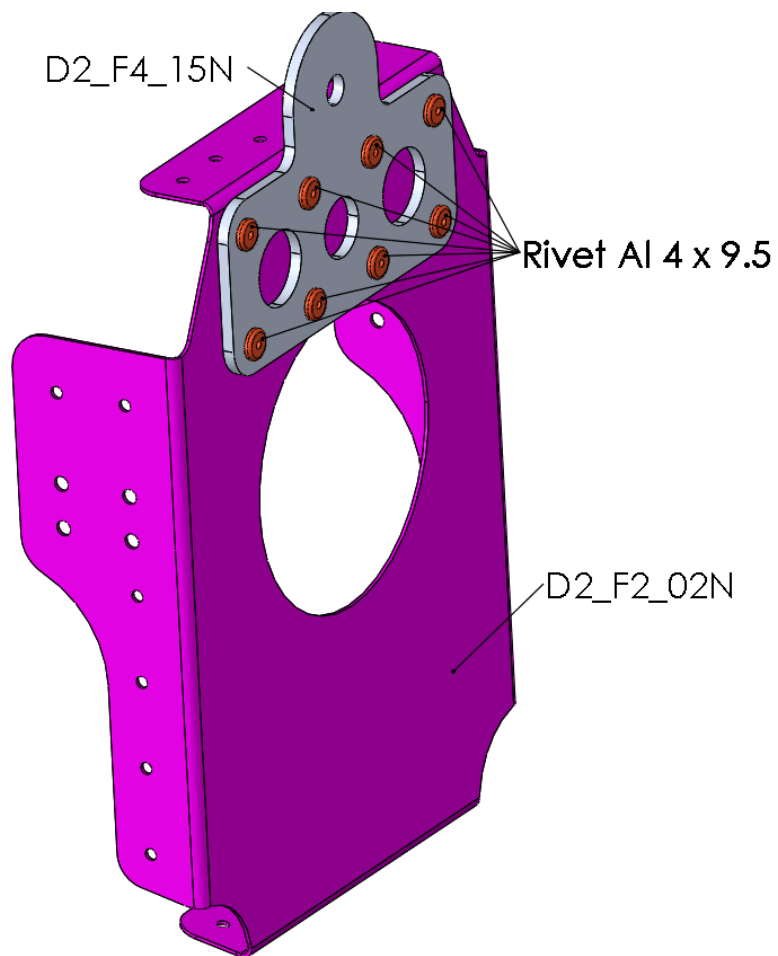
Step 5



Title	Document no.	Revision	Page	Pages
Fuselage assembly manual	D2_F0_00	Rev. 03	210	414



Step 6



Title	Document no.	Revision	Page	Pages
Fuselage assembly manual	D2_F0_00	Rev. 03	211	414

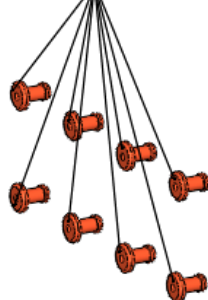


Step 7

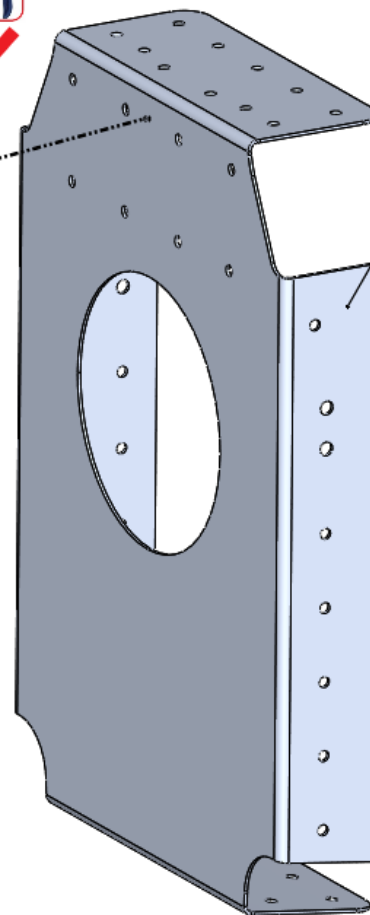
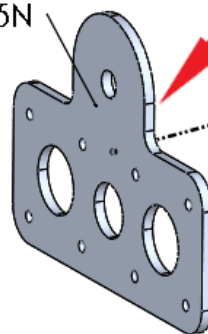


Polyurethane adhesive
Emfimastic PU-50

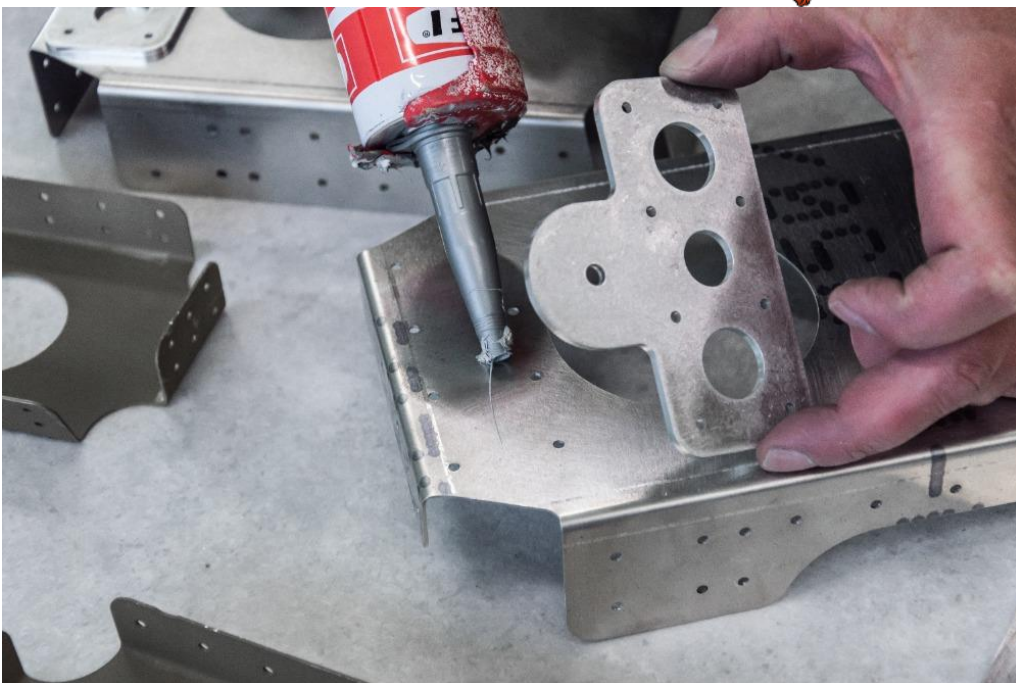
Rivet Al 4 x 9.5



D2_F4_15N



D2_F2_03N

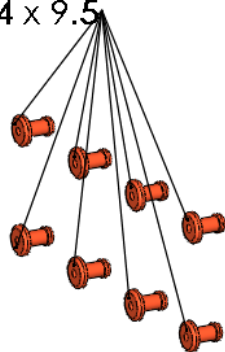


Title	Document no.	Revision	Page	Pages
Fuselage assembly manual	D2_F0_00	Rev. 03	212	414



Step 8

Rivet Al 4 x 9.5

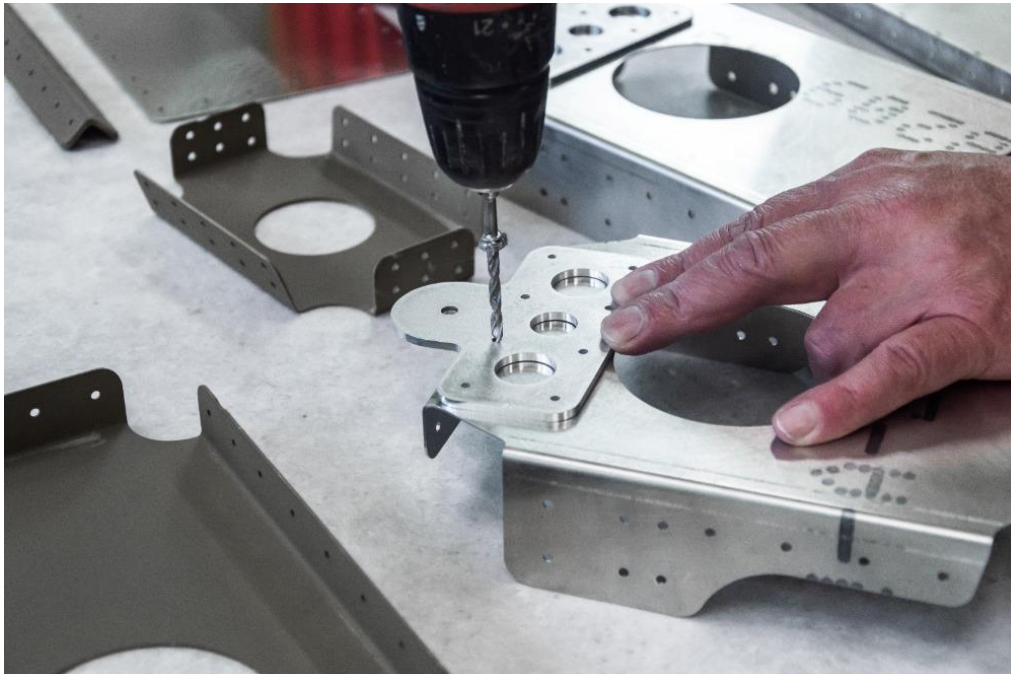
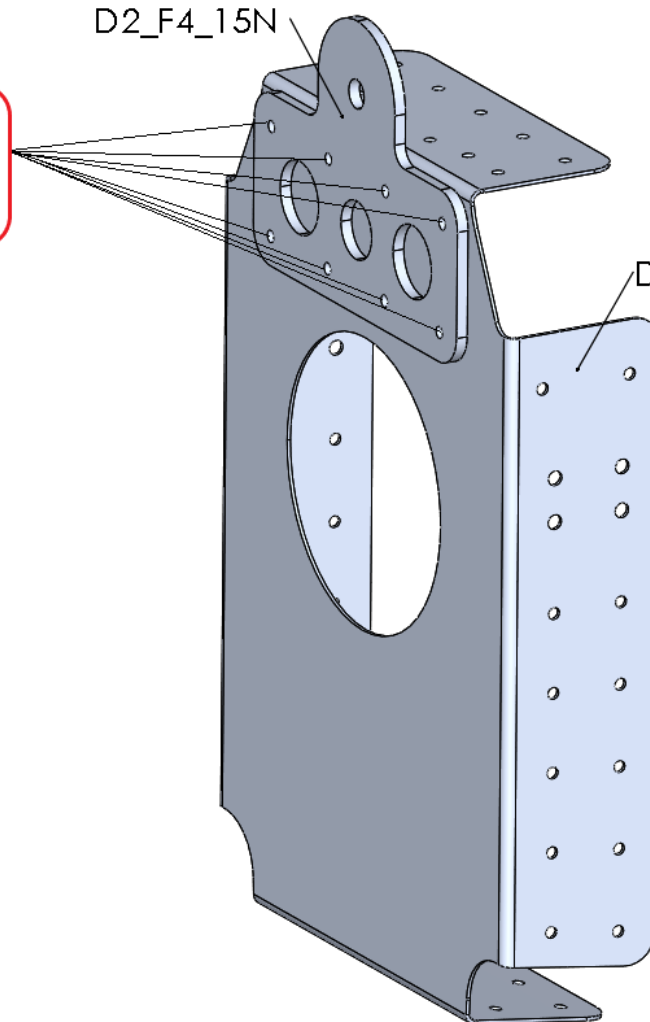


Hole Ø4mm



D2_F4_15N

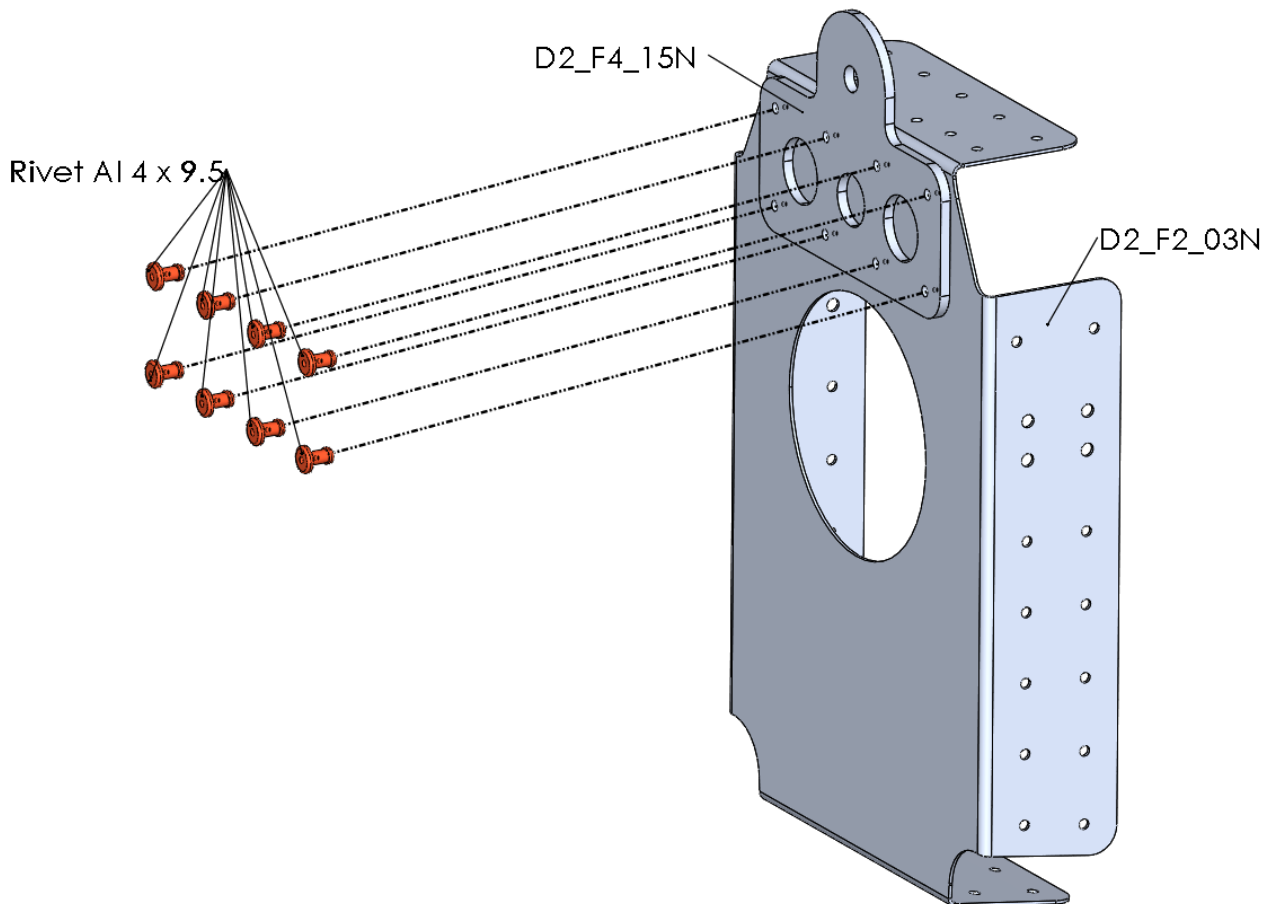
D2_F2_03N



Title	Document no.	Revision	Page	Pages
Fuselage assembly manual	D2_F0_00	Rev. 03	213	414



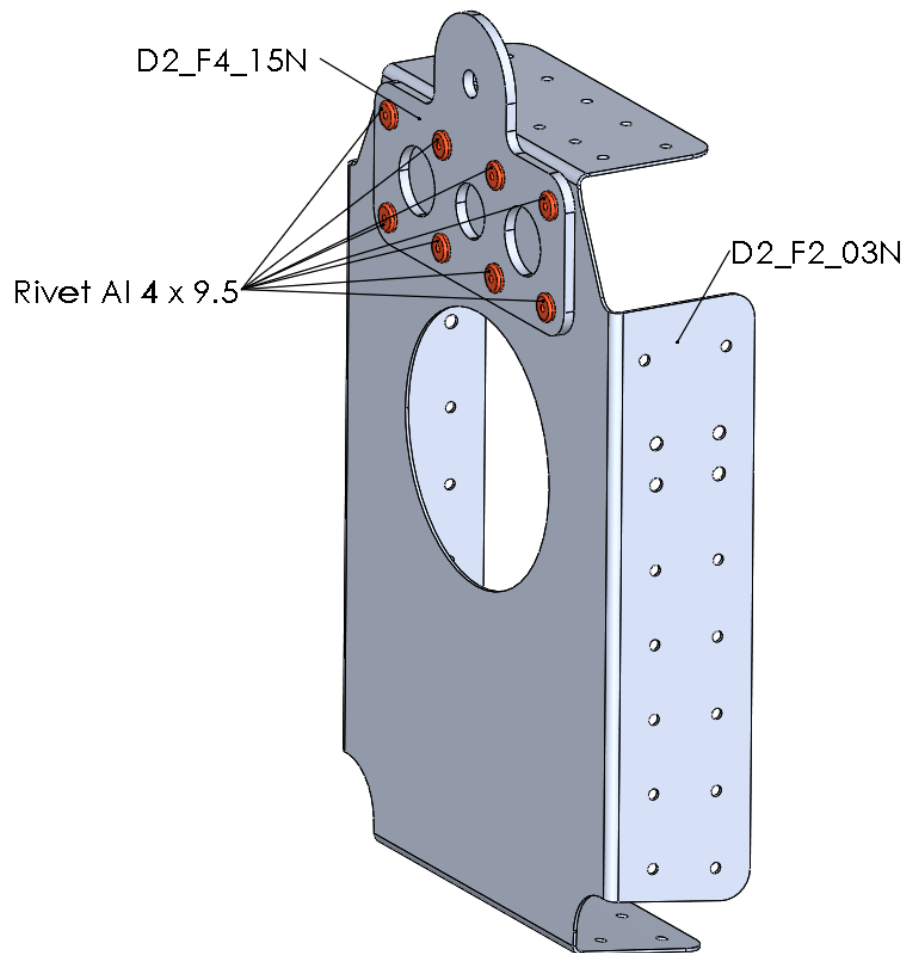
Step 9



Title	Document no.	Revision	Page	Pages
Fuselage assembly manual	D2_F0_00	Rev. 03	214	414



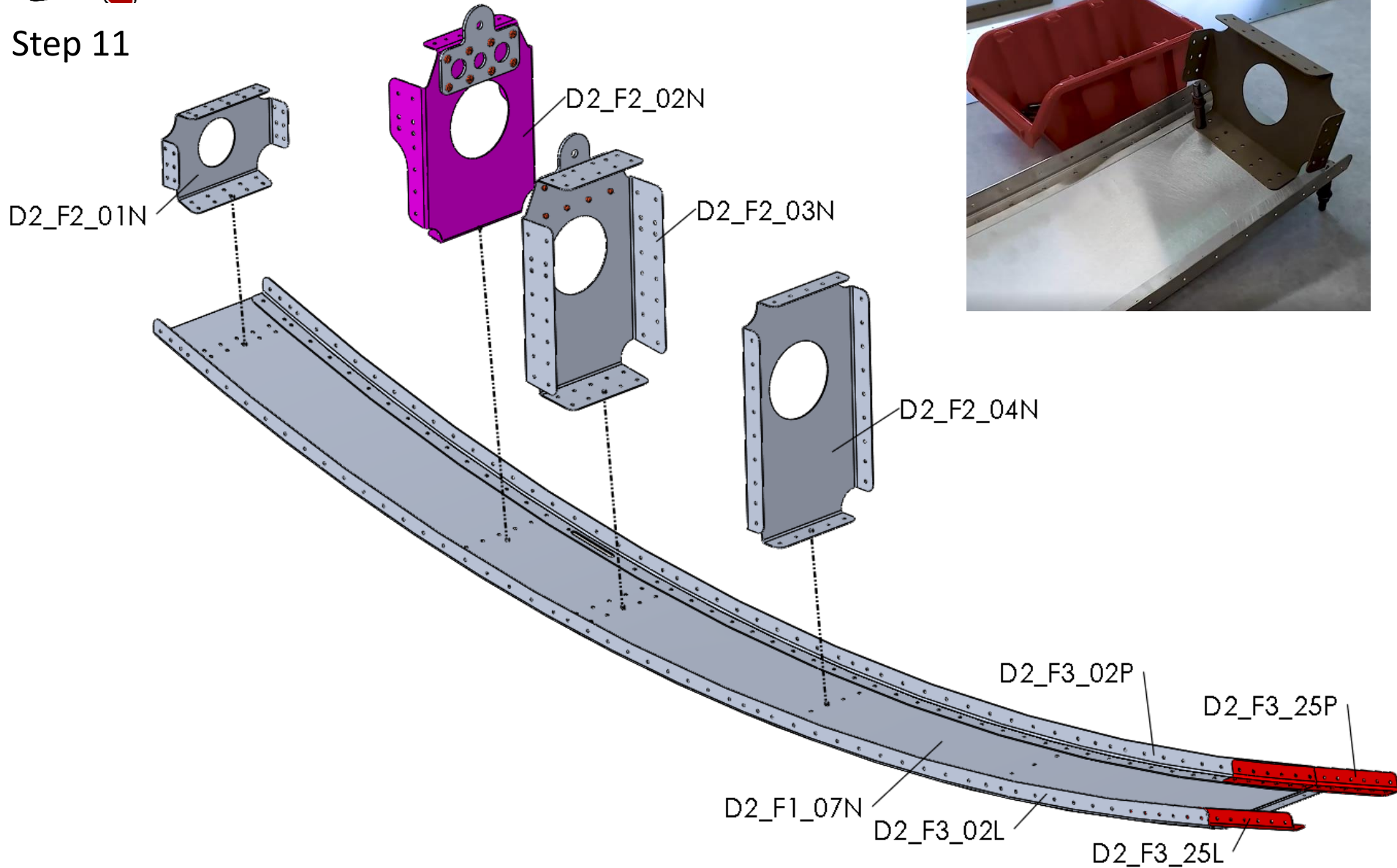
Step 10



Title	Document no.	Revision	Page	Pages
Fuselage assembly manual	D2_F0_00	Rev. 03	215	414



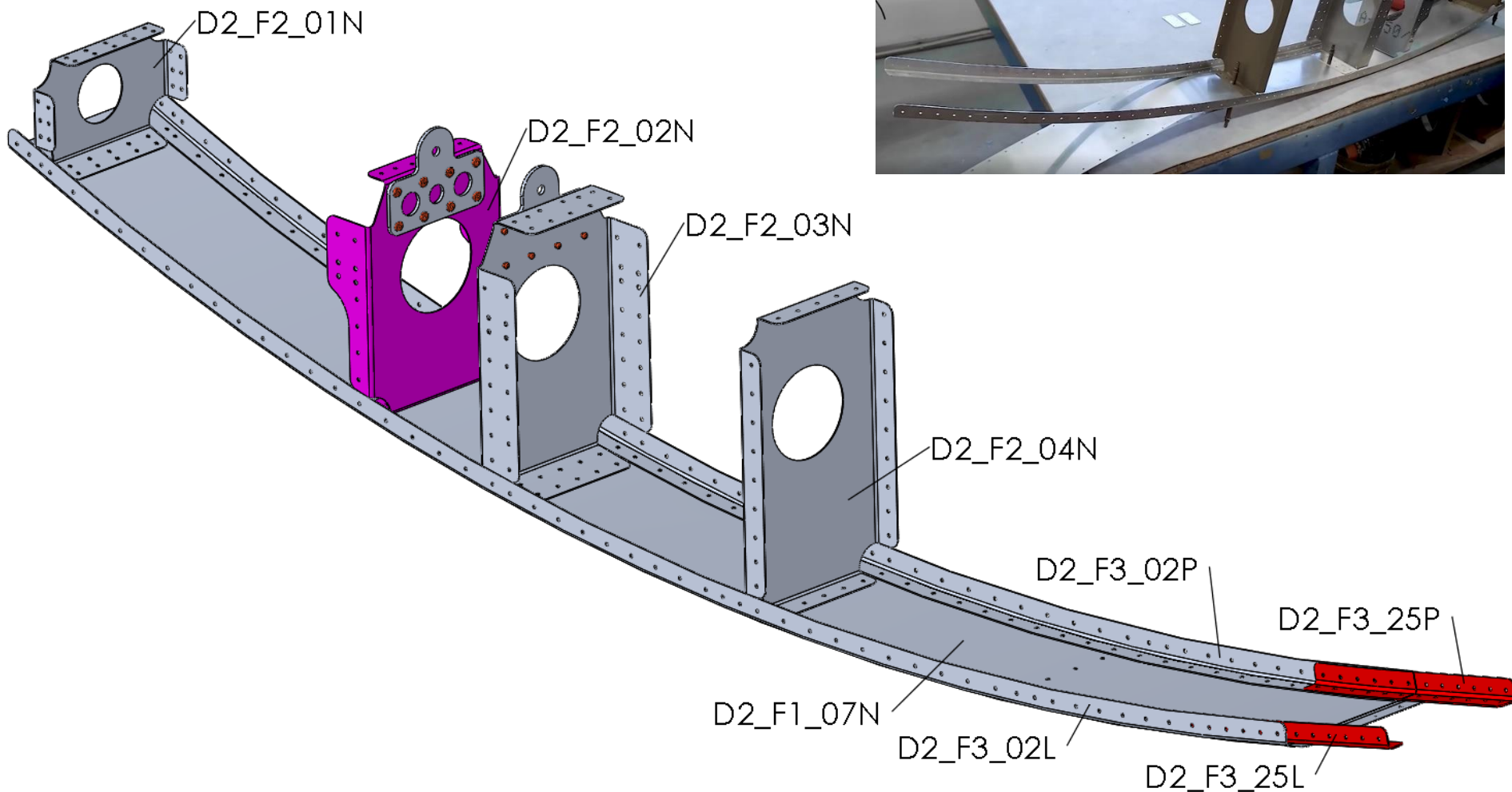
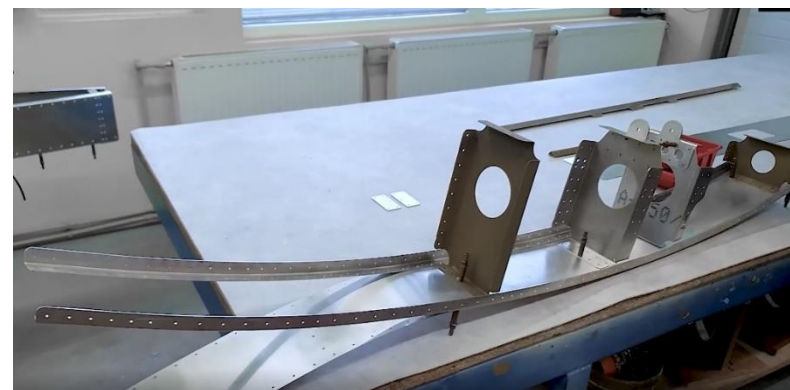
Step 11



Title	Document no.	Revision	Page	Pages
Fuselage assembly manual	D2_F0_00	Rev. 03	216	414



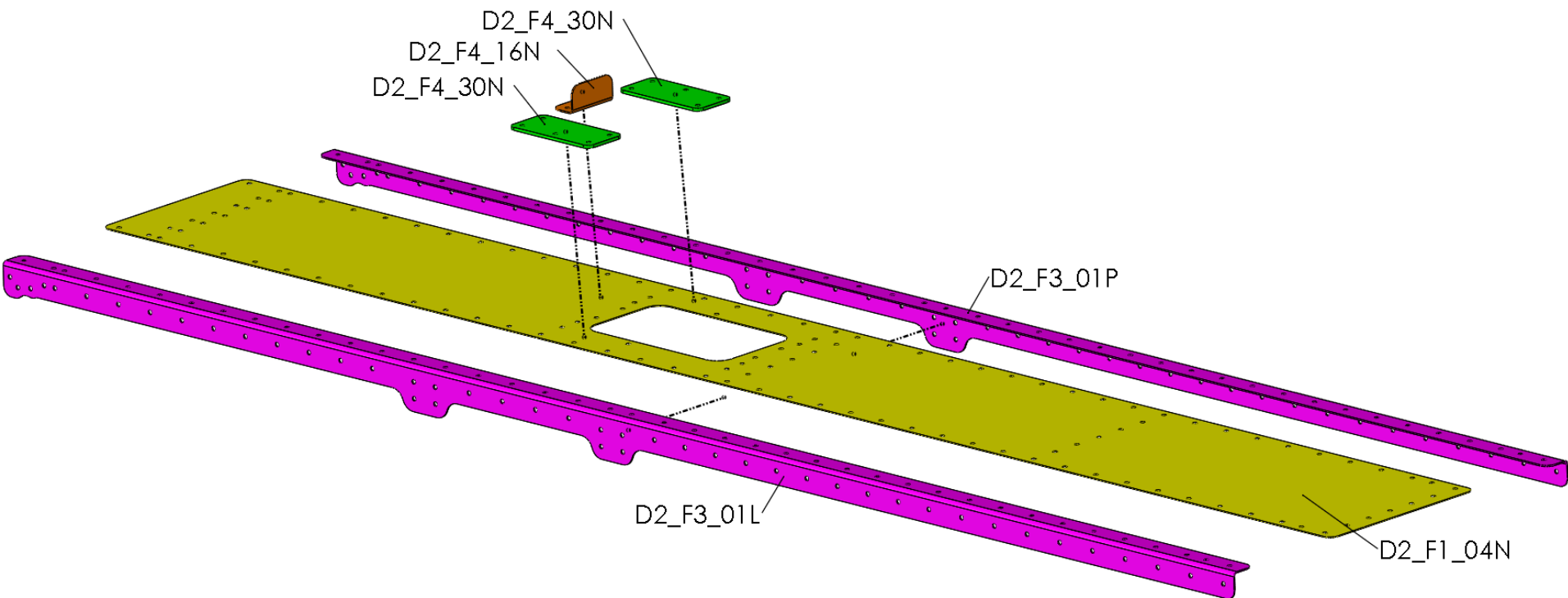
Step 12



Title	Document no.	Revision	Page	Pages
Fuselage assembly manual	D2_F0_00	Rev. 03	217	414



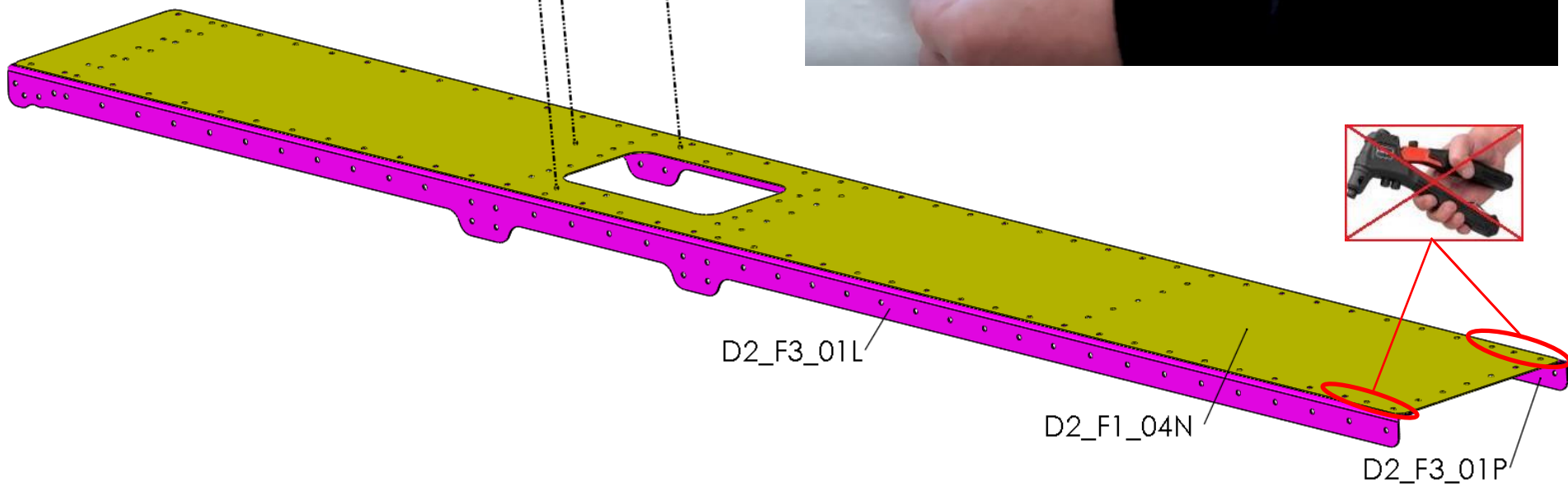
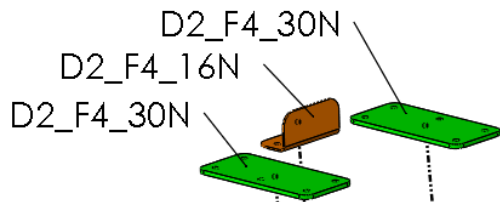
Step 13



Title	Document no.	Revision	Page	Pages
Fuselage assembly manual	D2_F0_00	Rev. 03	218	414



Step 14



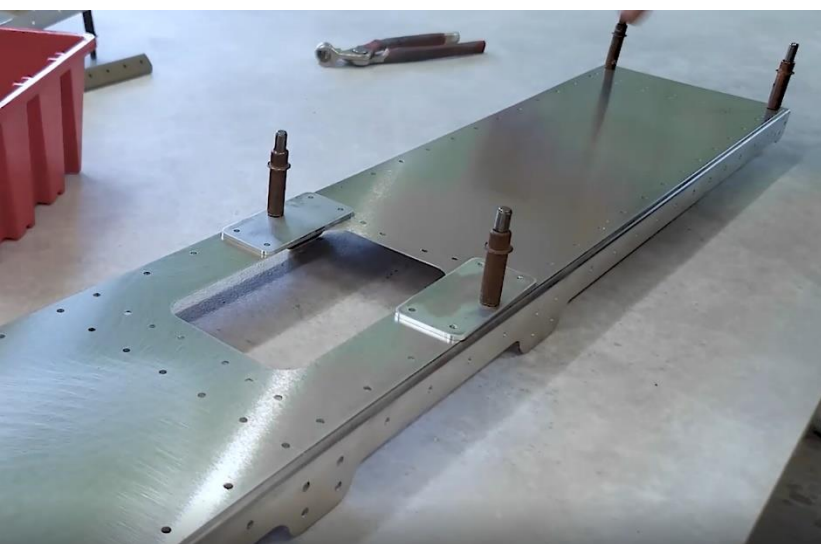
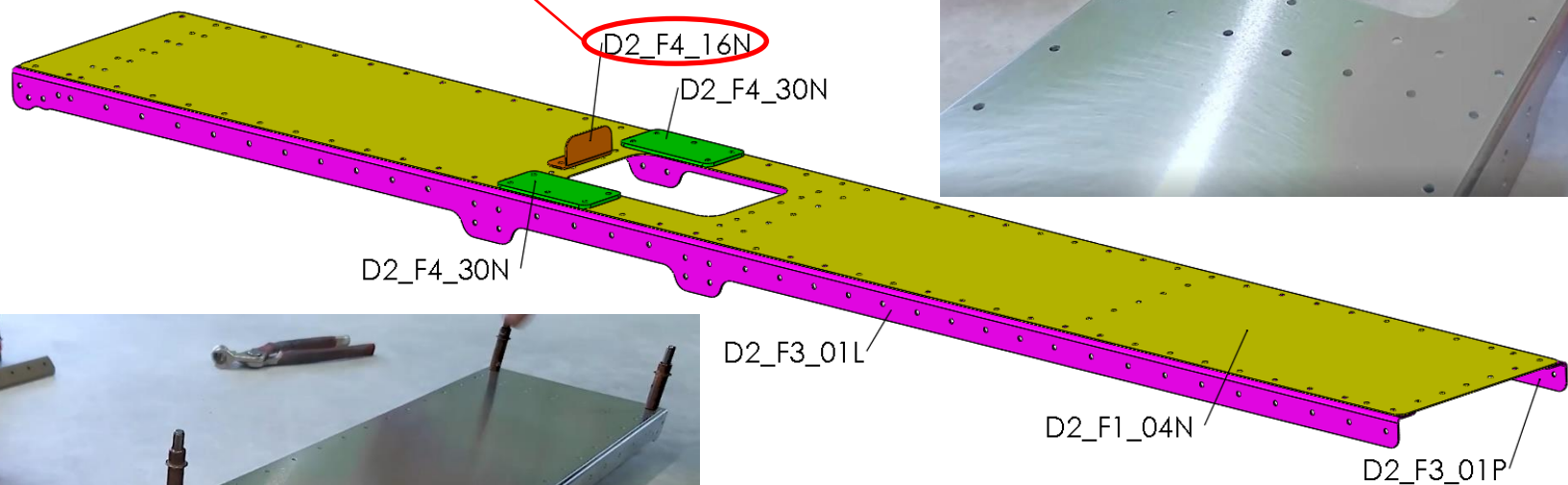
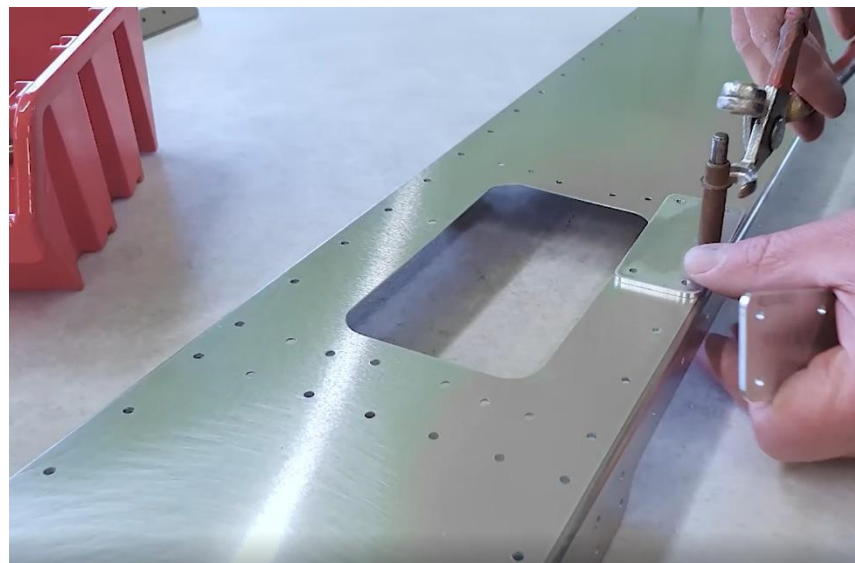
Title	Document no.	Revision	Page	Pages
Fuselage assembly manual	D2_F0_00	Rev. 03	219	414



Step 15



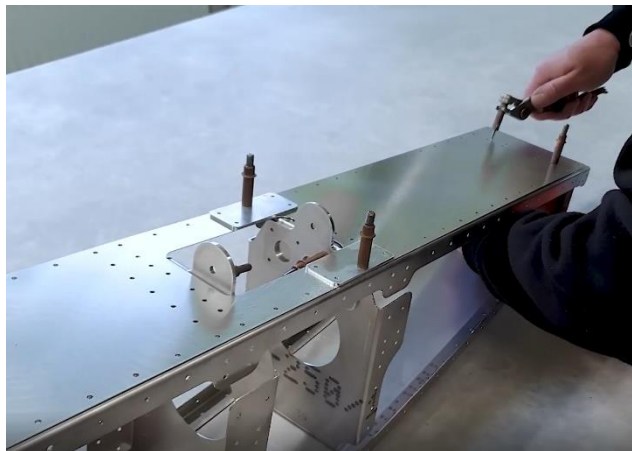
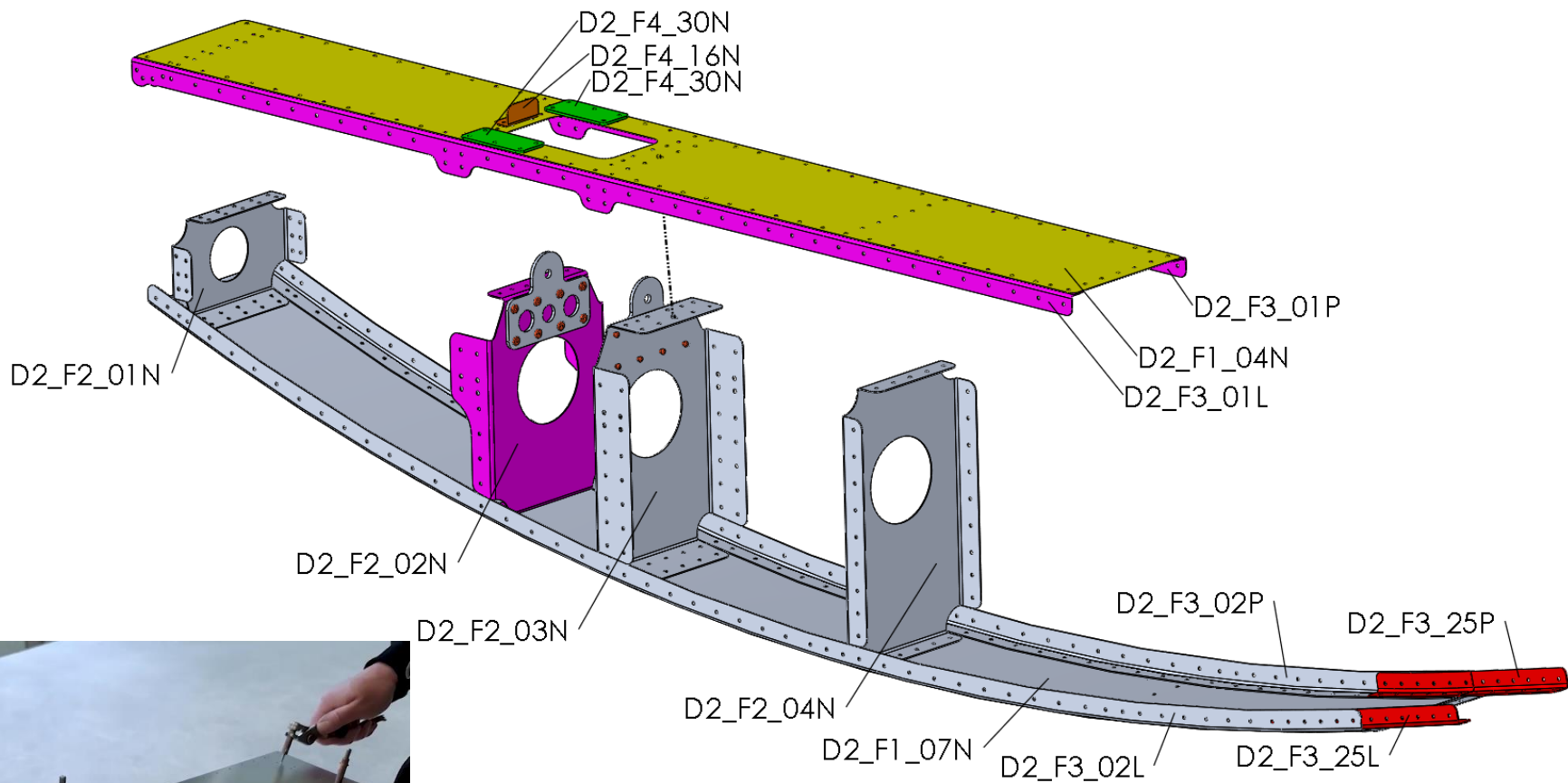
i Page 286



Title	Document no.	Revision	Page	Pages
Fuselage assembly manual	D2_F0_00	Rev. 03	220	414



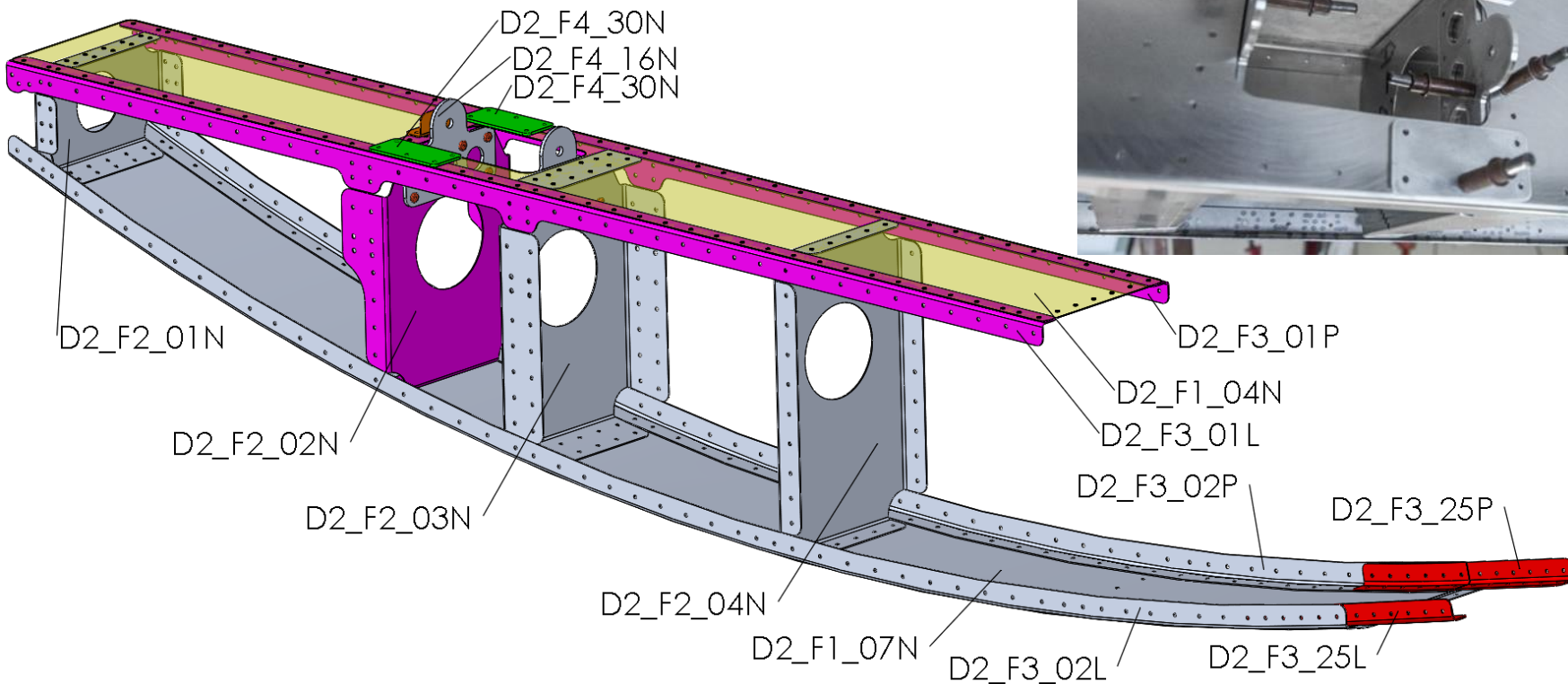
Step 16



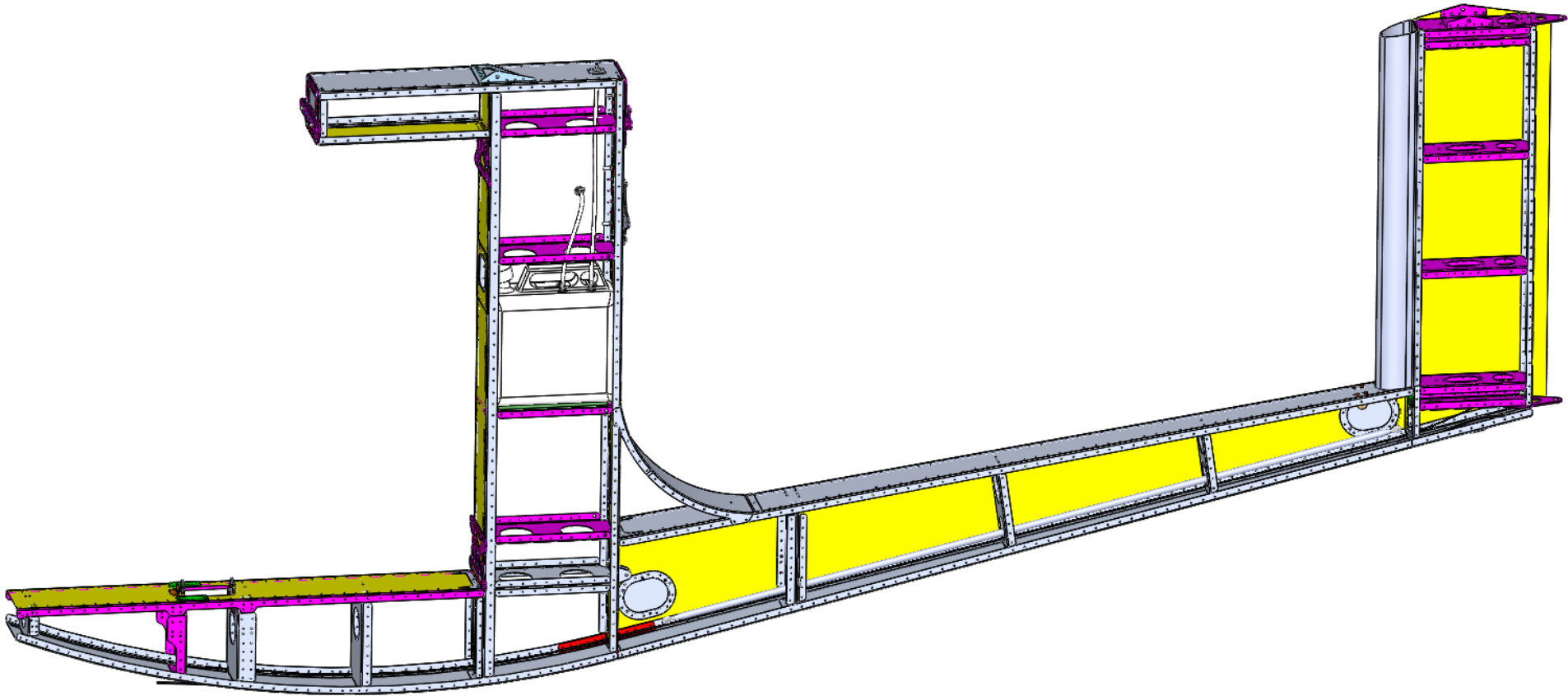
Title	Document no.	Revision	Page	Pages
Fuselage assembly manual	D2_F0_00	Rev. 03	221	414



Step 17



Title	Document no.	Revision	Page	Pages
Fuselage assembly manual	D2_F0_00	Rev. 03	222	414

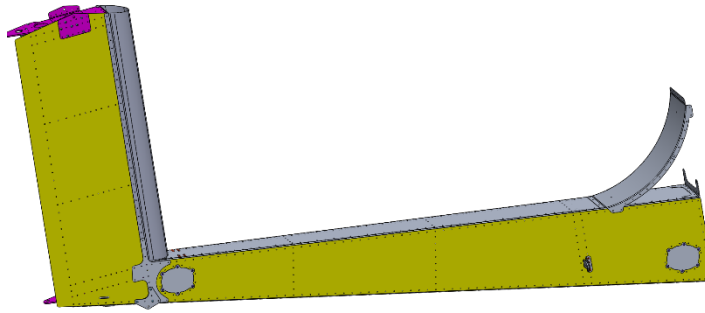


Title	Document no.	Revision	Page	Pages
Fuselage assembly manual	D2_F0_00	Rev. 03	223	414



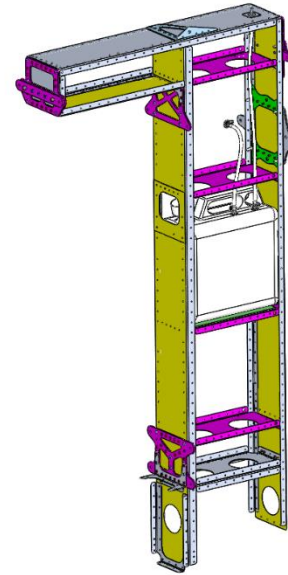
Fuselage

Detail: Part 1



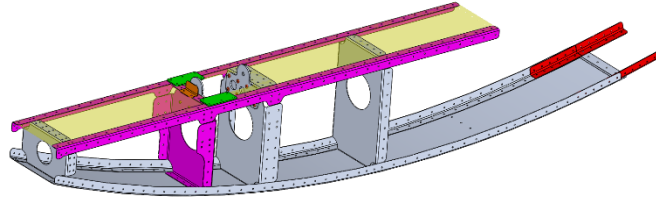
Fuselage

Detail: Part 4



Fuselage

Detail: Part 5



Detail: PETF TUBE

Quantity: 2



Detail: Elevator pushrod 2

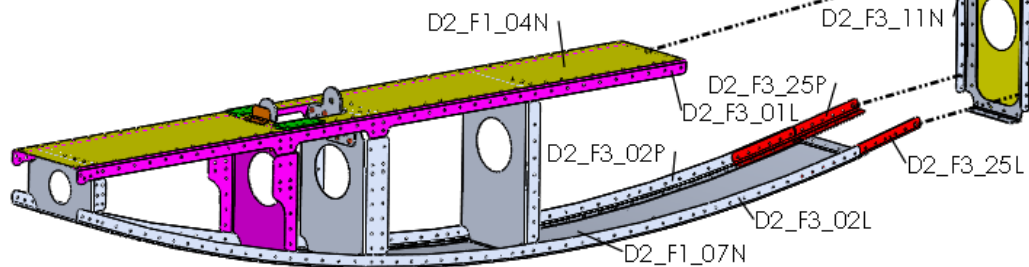
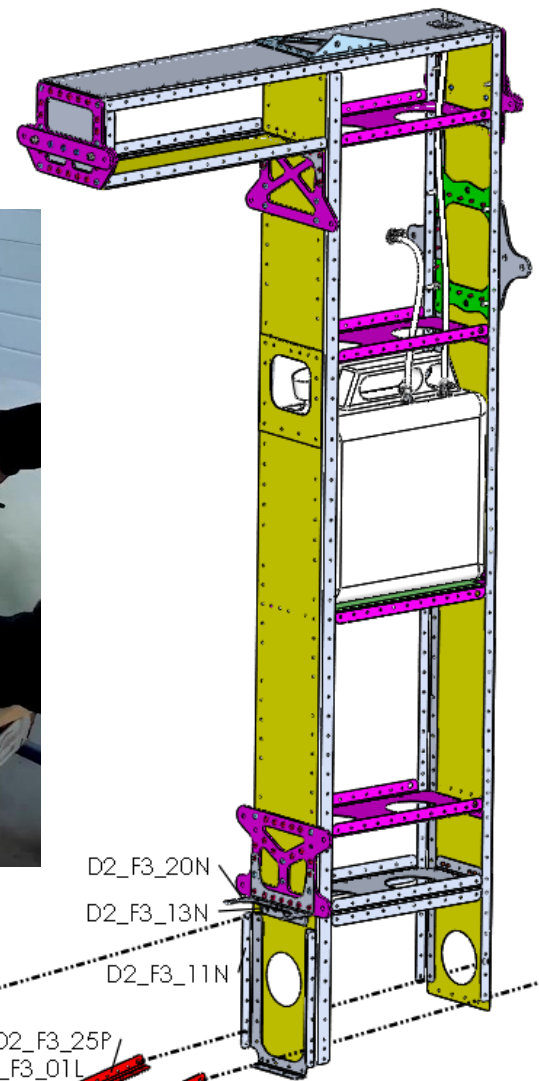
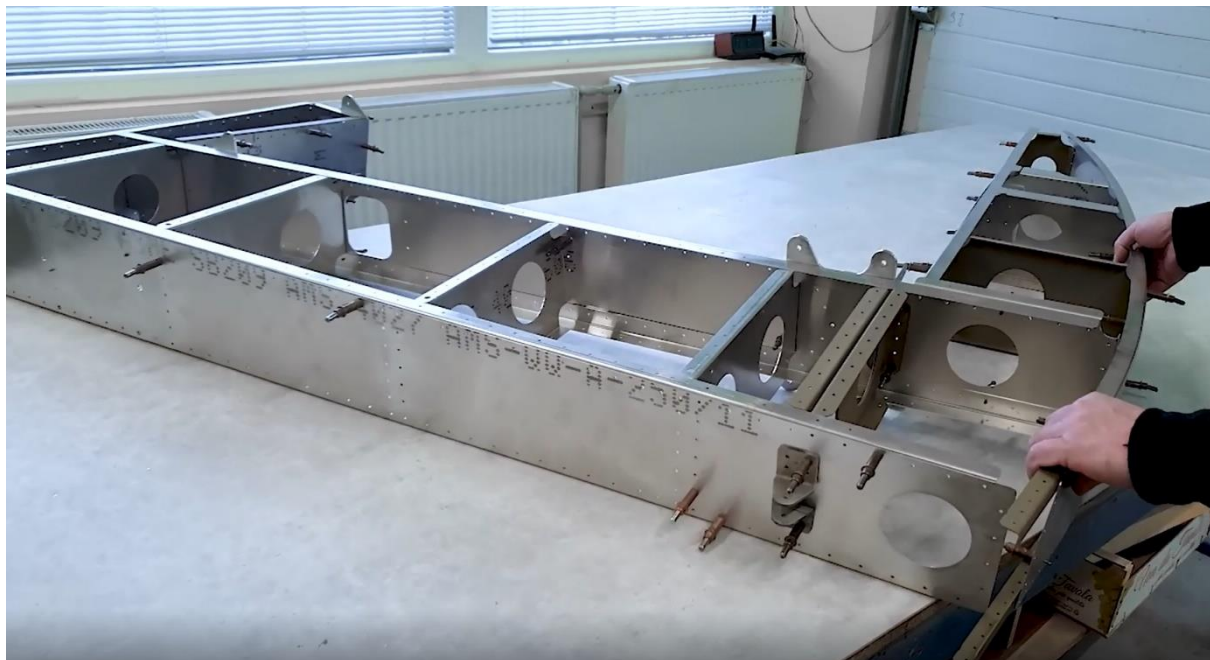
Quantity: 1



Title	Document no.	Revision	Page	Pages
Fuselage assembly manual	D2_F0_00	Rev. 03	224	414



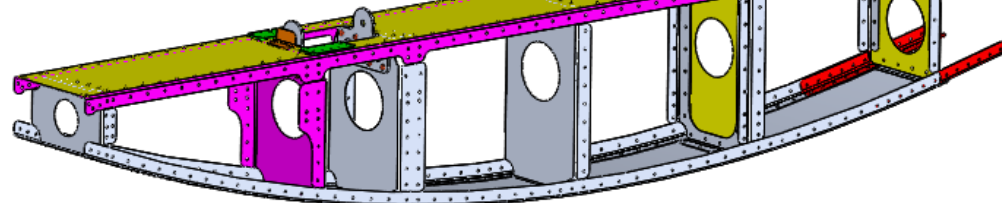
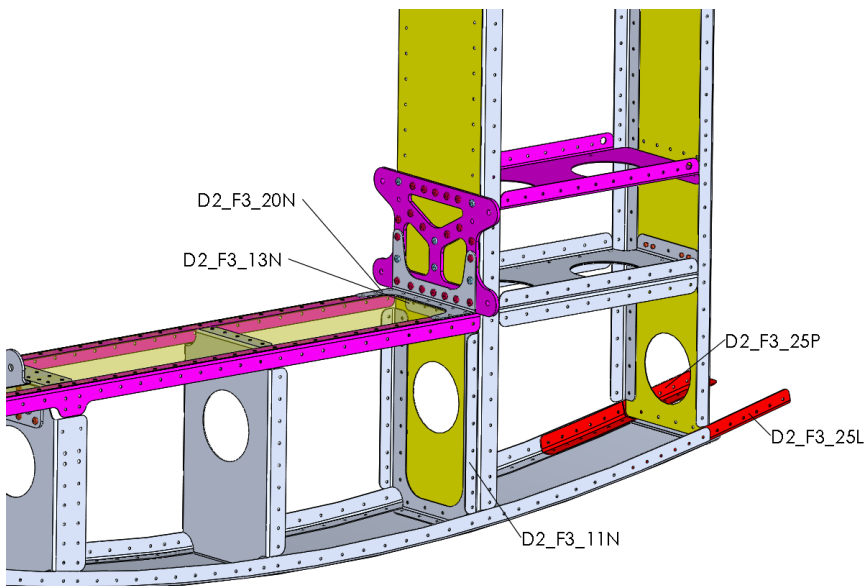
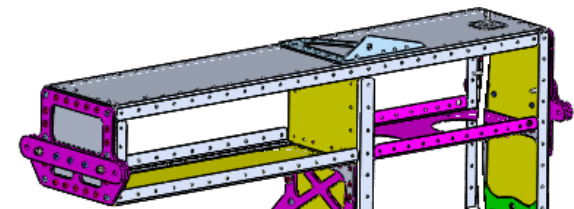
Step 1



Title	Document no.	Revision	Page	Pages
Fuselage assembly manual	D2_F0_00	Rev. 03	225	414



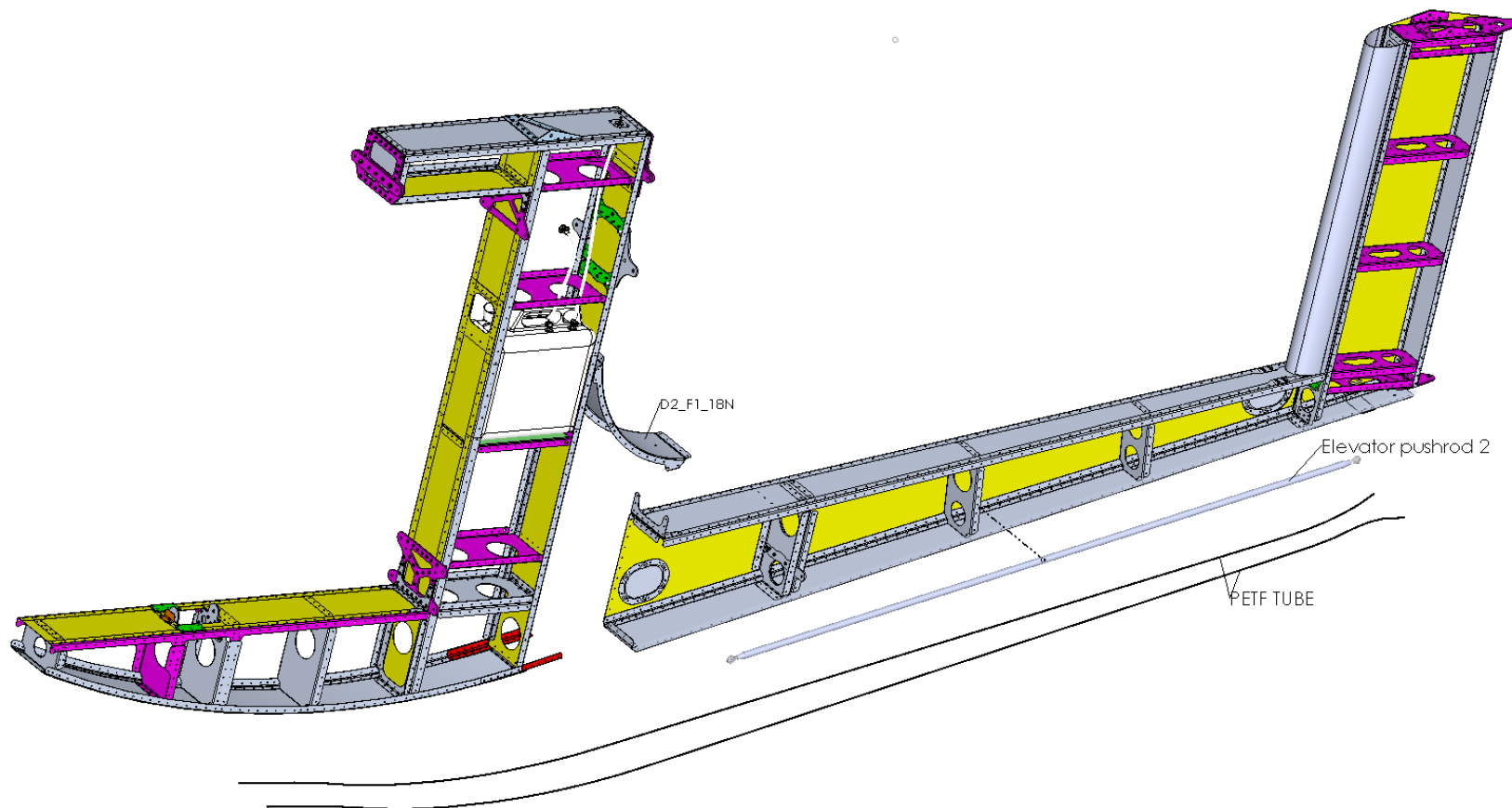
Step 2



Title	Document no.	Revision	Page	Pages
Fuselage assembly manual	D2_F0_00	Rev. 03	226	414



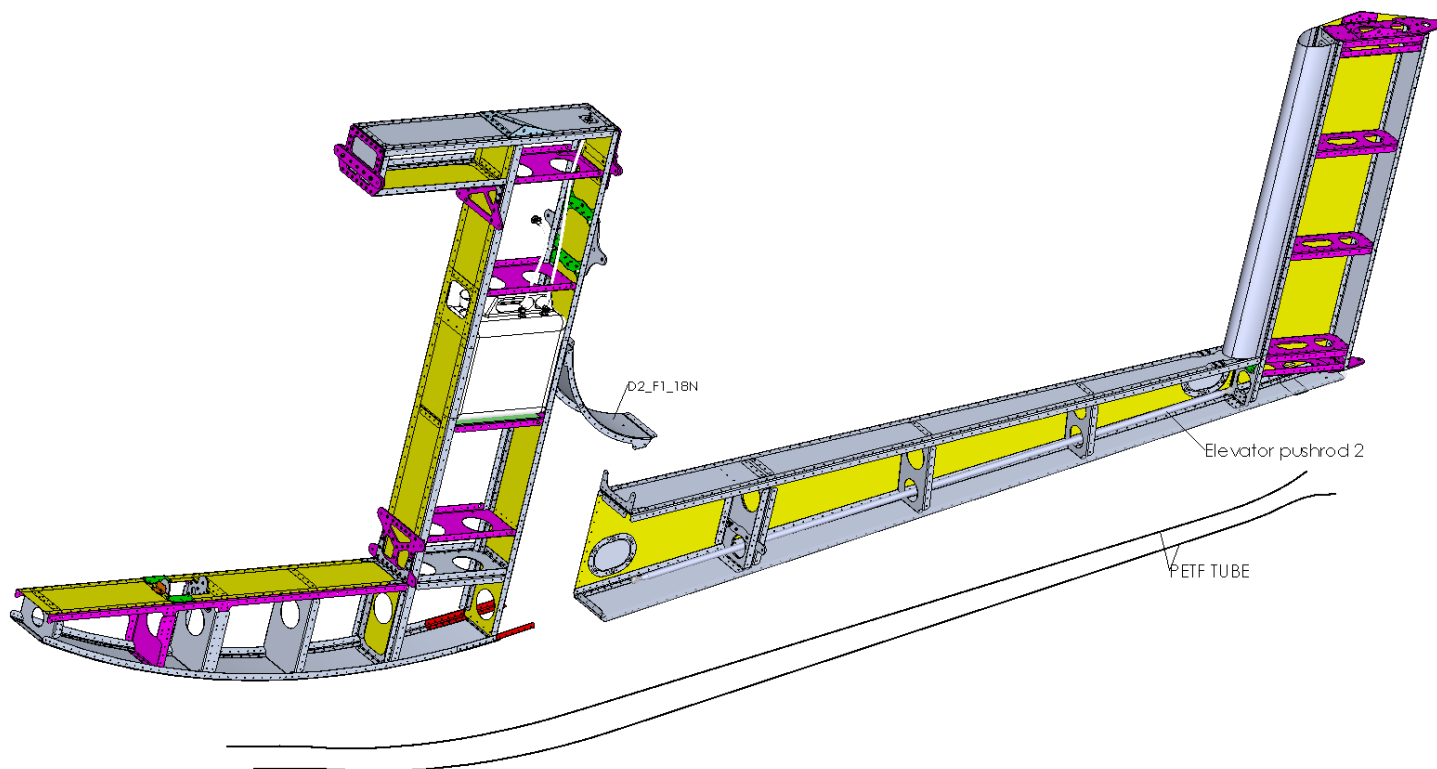
Step 3



Title	Document no.	Revision	Page	Pages
Fuselage assembly manual	D2_F0_00	Rev. 03	227	414



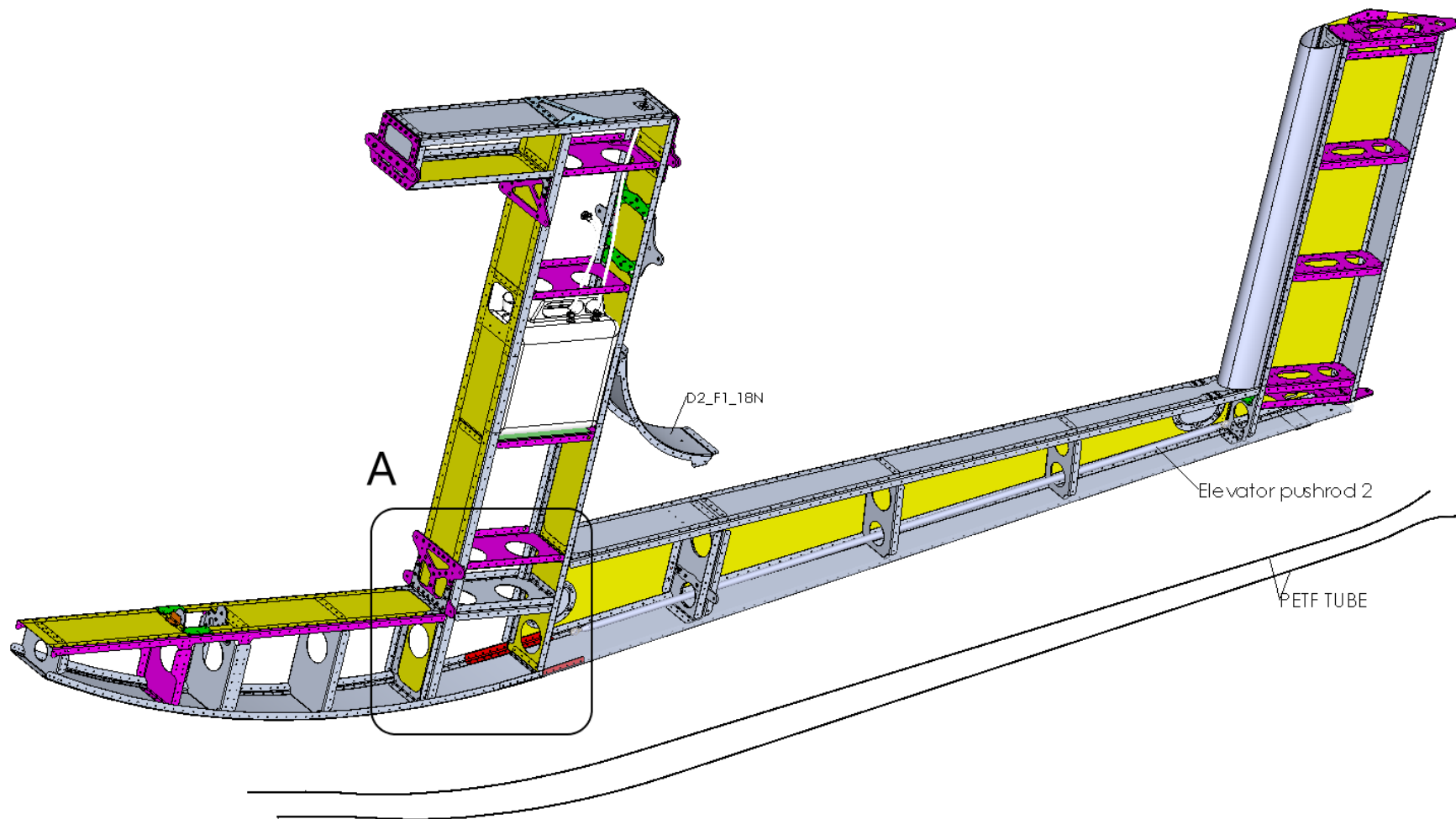
Step 4



Title	Document no.	Revision	Page	Pages
Fuselage assembly manual	D2_F0_00	Rev. 03	228	414



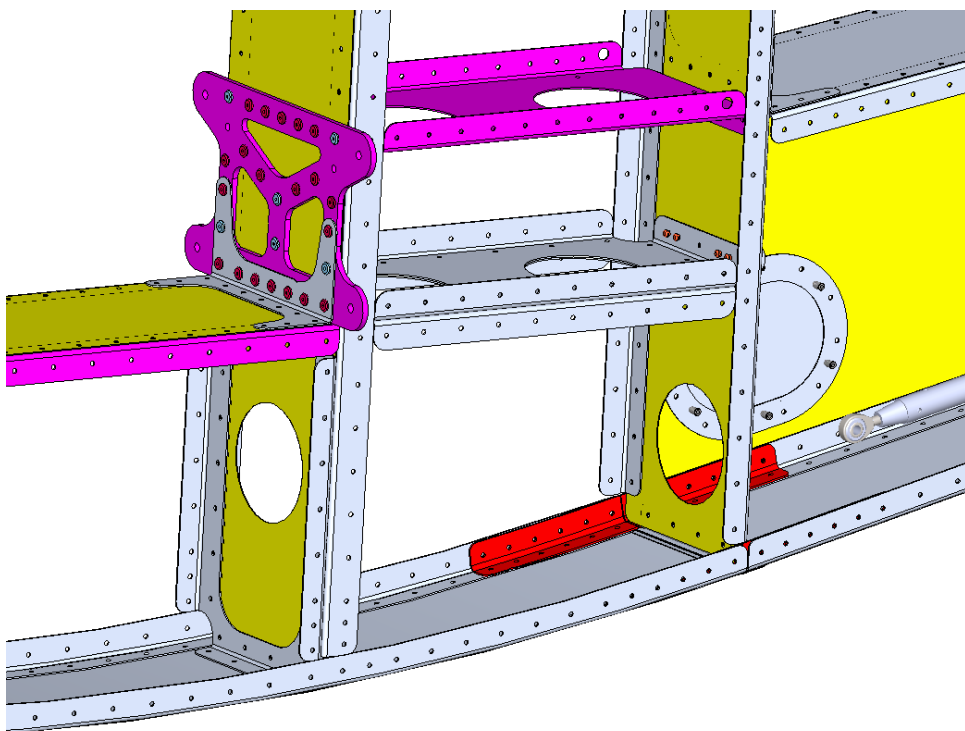
Step 5



Title	Document no.	Revision	Page	Pages
Fuselage assembly manual	D2_F0_00	Rev. 03	229	414



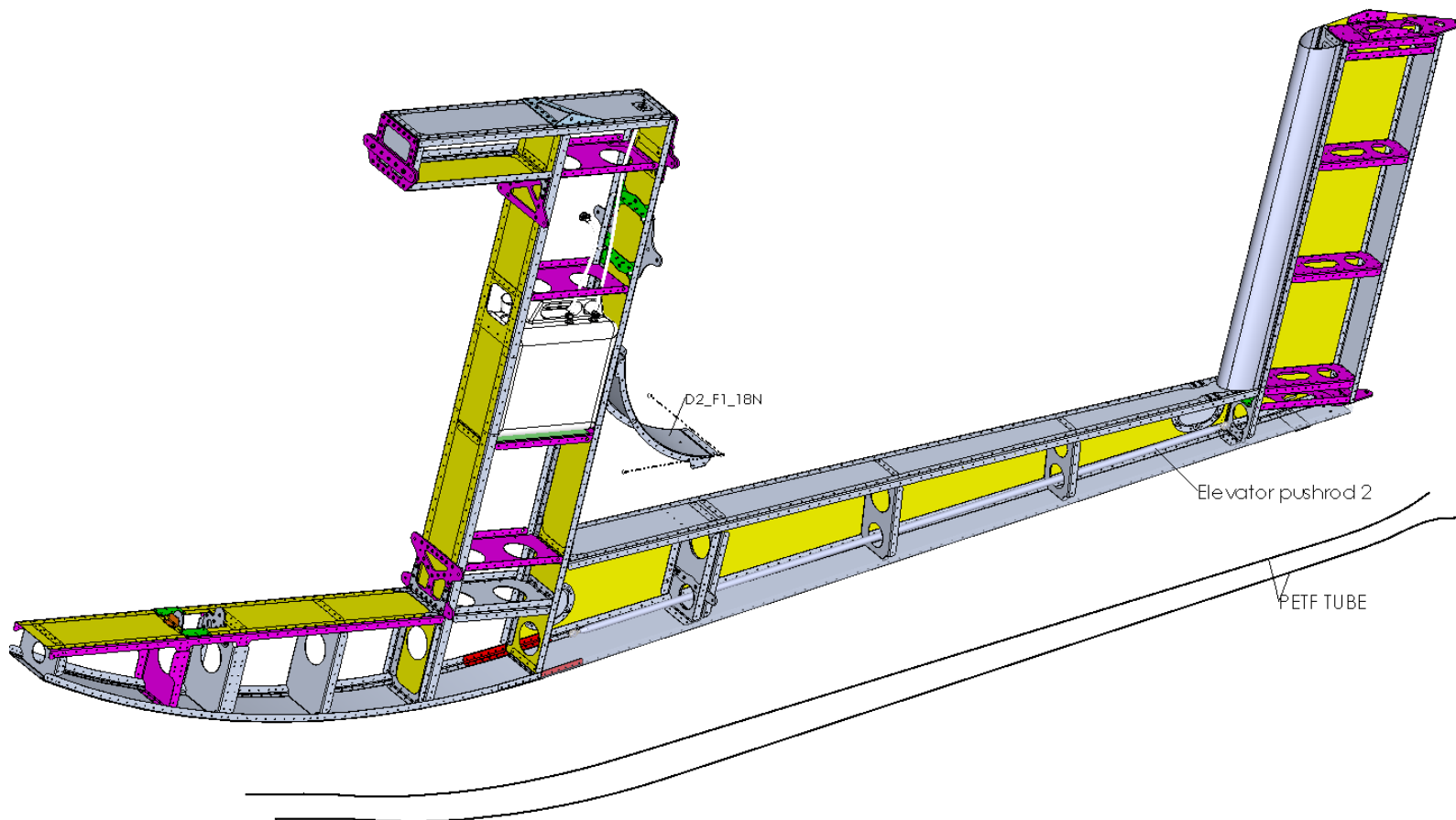
Step 5A



Title	Document no.	Revision	Page	Pages
Fuselage assembly manual	D2_F0_00	Rev. 03	230	414



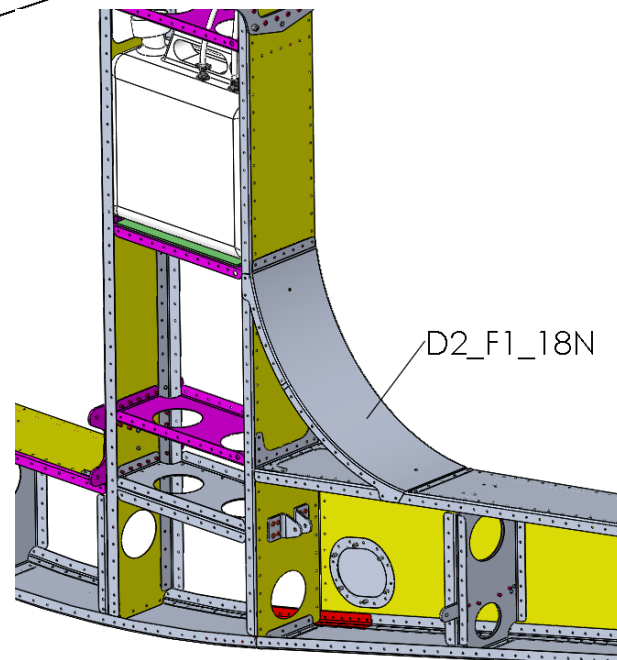
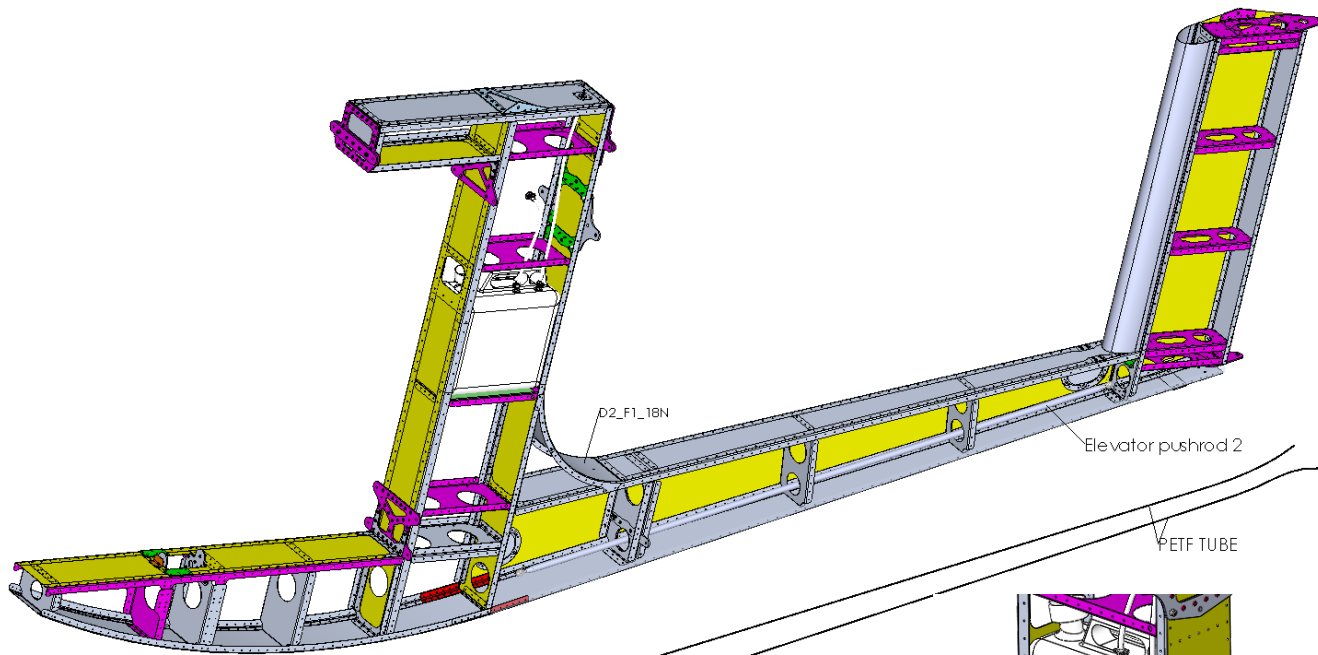
Step 6



Title	Document no.	Revision	Page	Pages
Fuselage assembly manual	D2_F0_00	Rev. 03	231	414



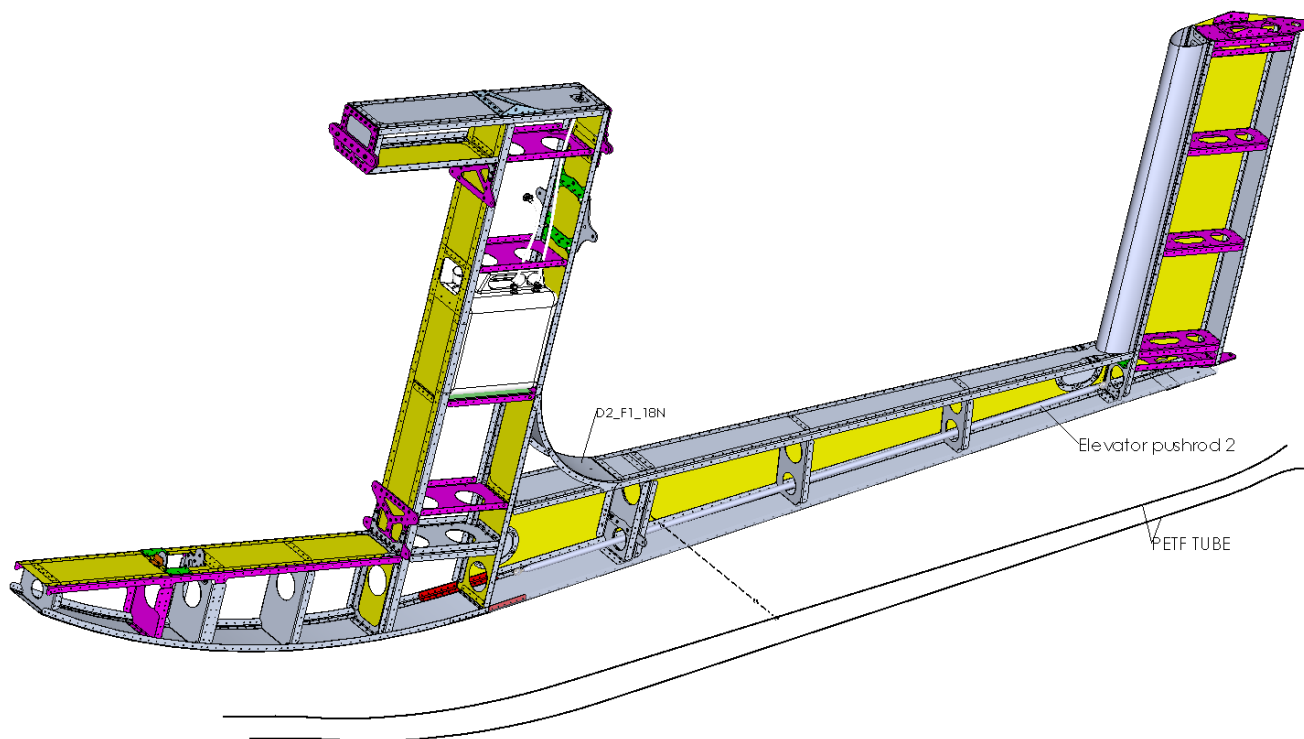
Step 7



Title	Document no.	Revision	Page	Pages
Fuselage assembly manual	D2_F0_00	Rev. 03	232	414



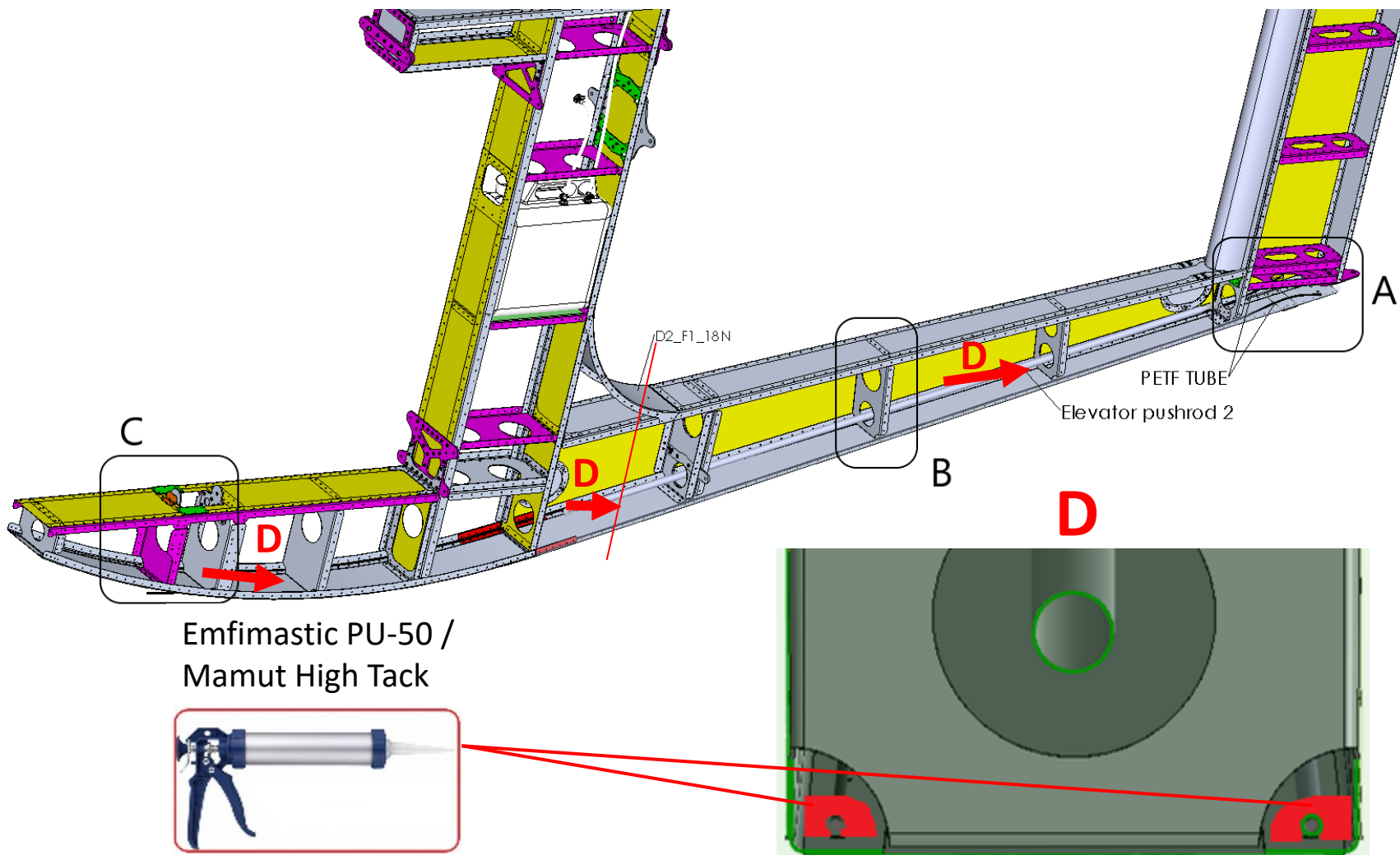
Step 8



Title	Document no.	Revision	Page	Pages
Fuselage assembly manual	D2_F0_00	Rev. 03	233	414



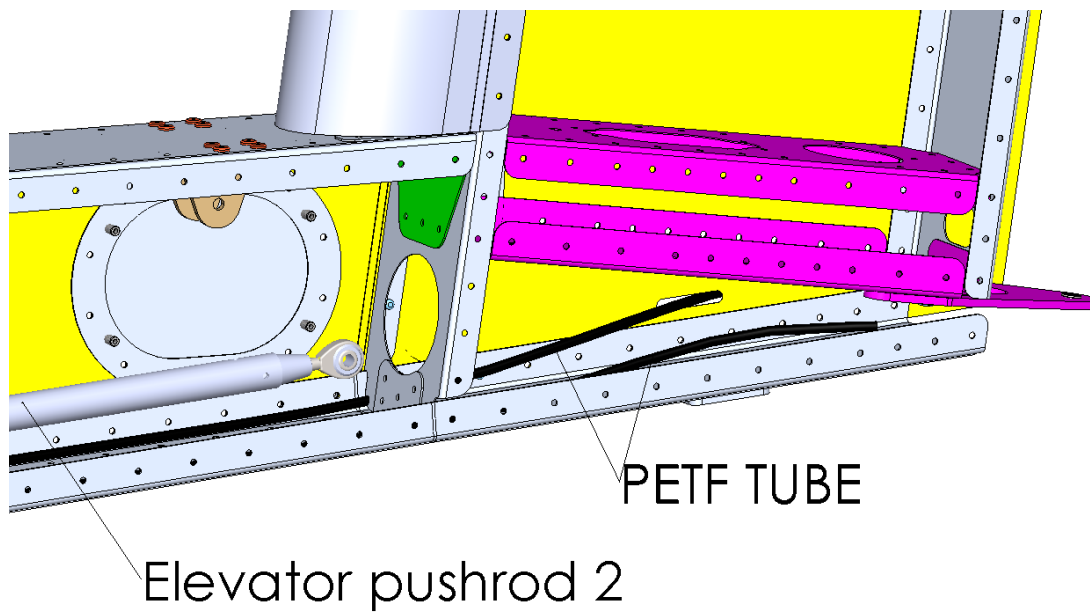
Step 9



Title	Document no.	Revision	Page	Pages
Fuselage assembly manual	D2_F0_00	Rev. 03	234	414



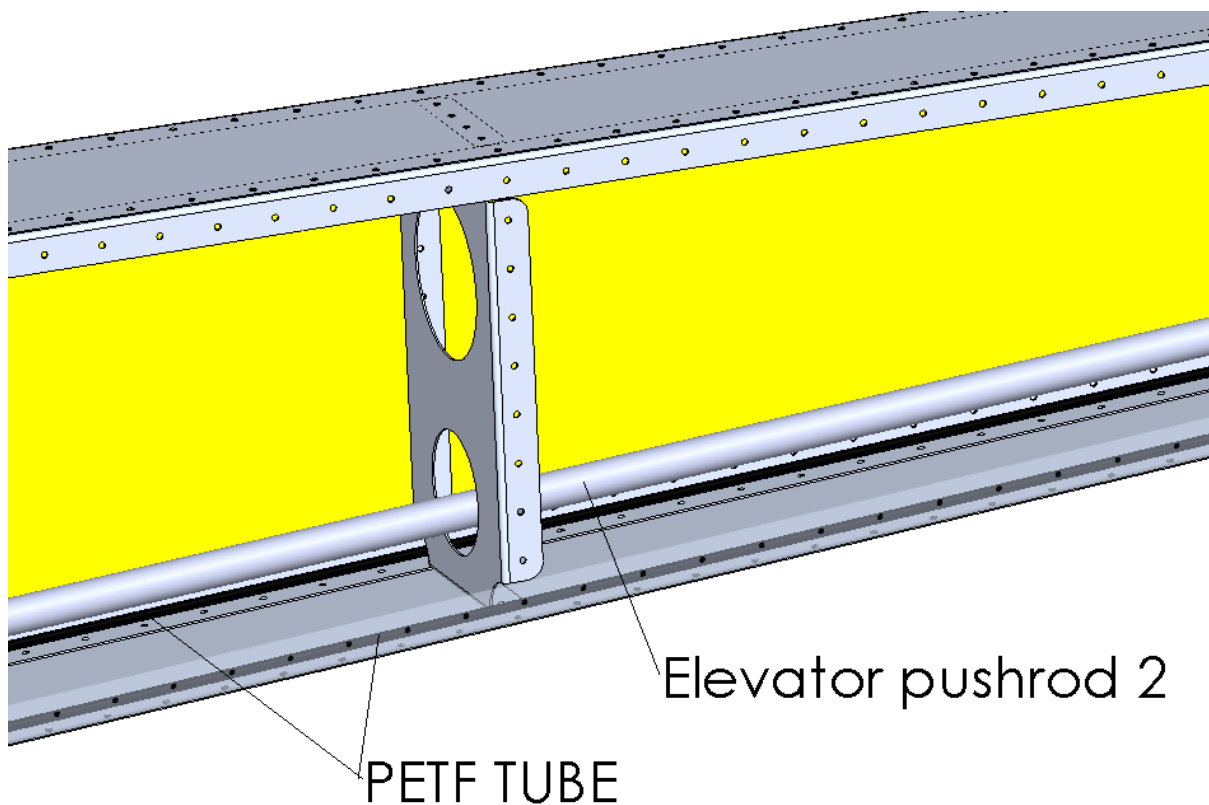
Step 9A



Title	Document no.	Revision	Page	Pages
Fuselage assembly manual	D2_F0_00	Rev. 03	235	414



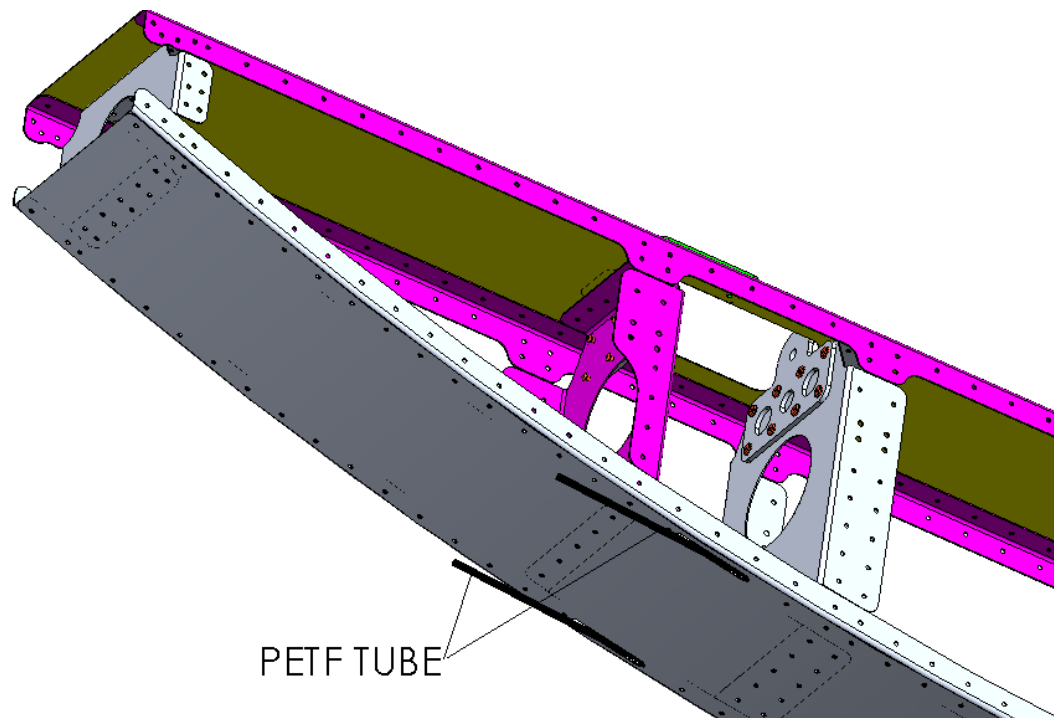
Step 9B



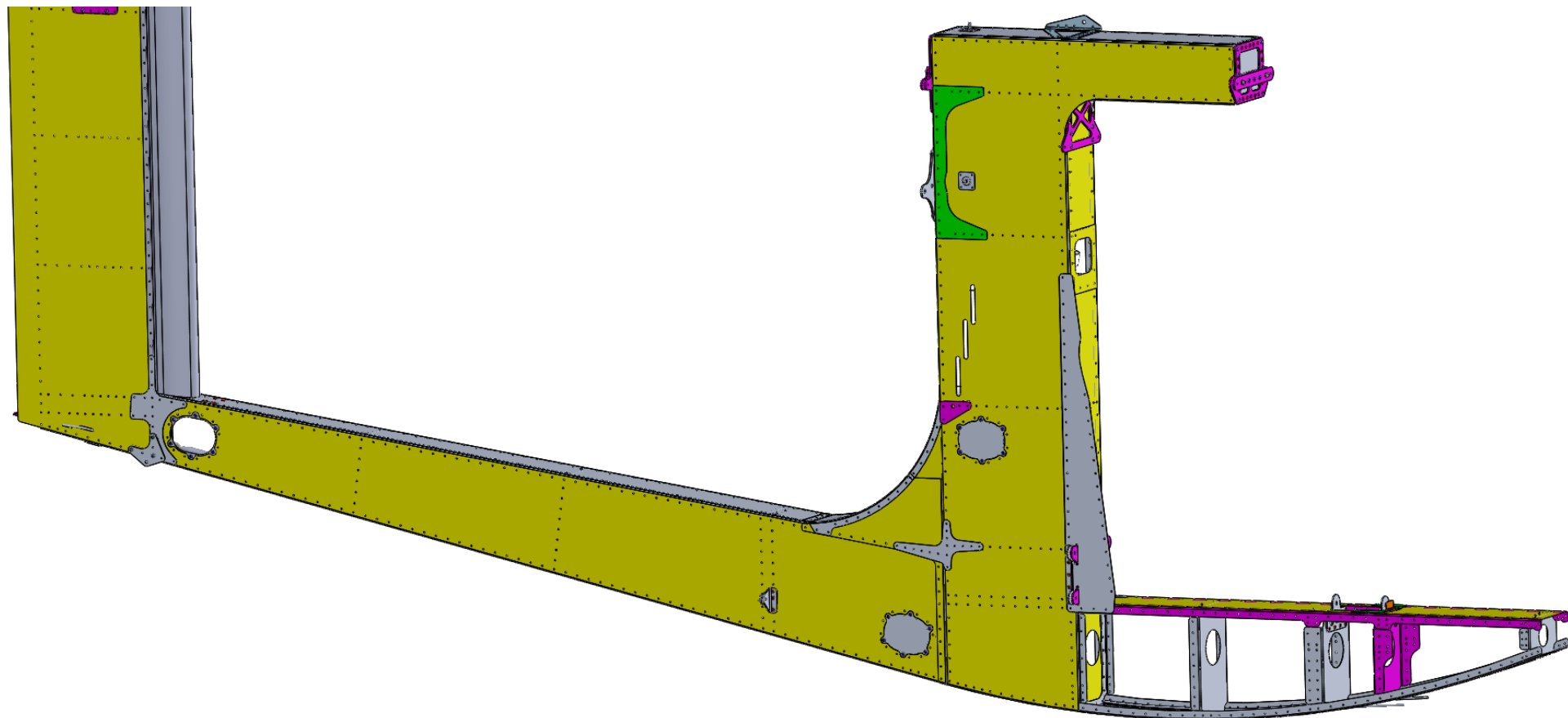
Title	Document no.	Revision	Page	Pages
Fuselage assembly manual	D2_F0_00	Rev. 03	236	414



Step 9C



Title	Document no.	Revision	Page	Pages
Fuselage assembly manual	D2_F0_00	Rev. 03	237	414

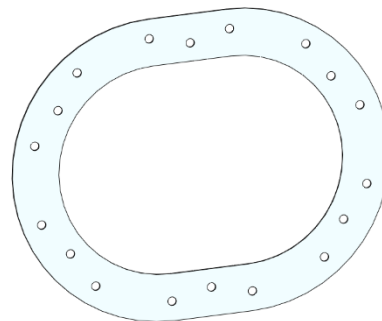


Title	Document no.	Revision	Page	Pages
Fuselage assembly manual	D2_F0_00	Rev. 03	238	414



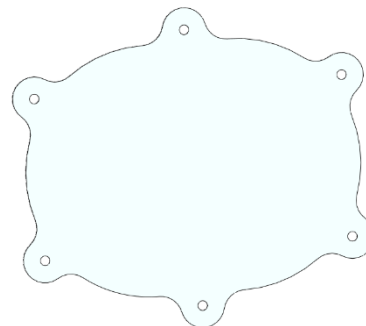
Detail: D2_F1_14N

Quantity: 1



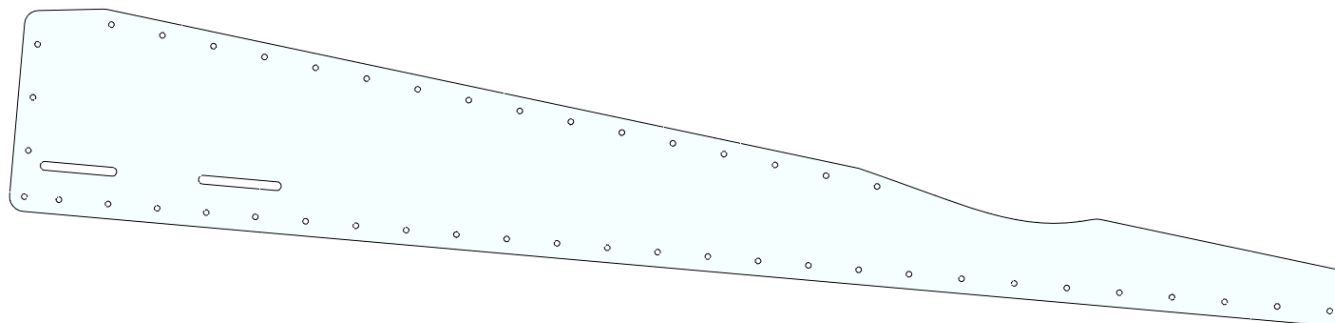
Detail: D2_F1_15N

Quantity: 1



Detail: D2_F1_22N

Quantity: 1

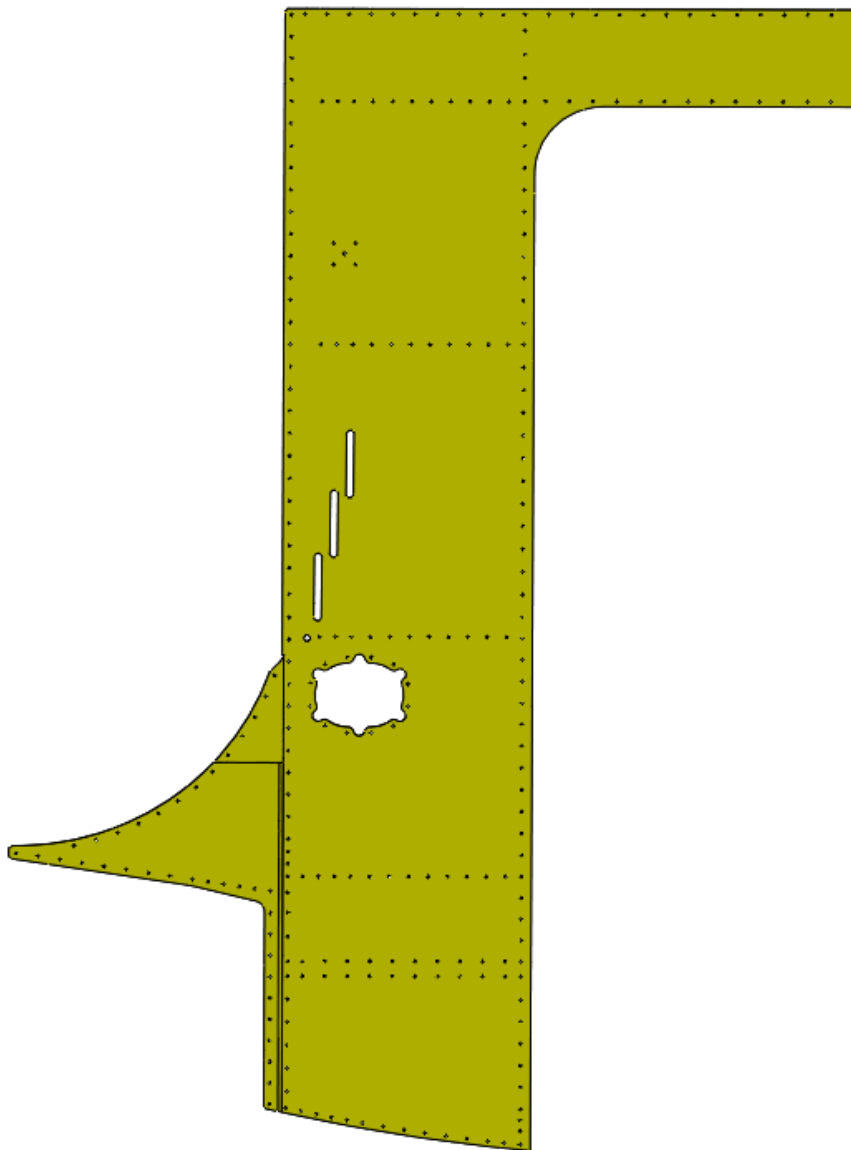


Title	Document no.	Revision	Page	Pages
Fuselage assembly manual	D2_F0_00	Rev. 03	239	414



Detail: D2_F1_32N

Quantity: 1

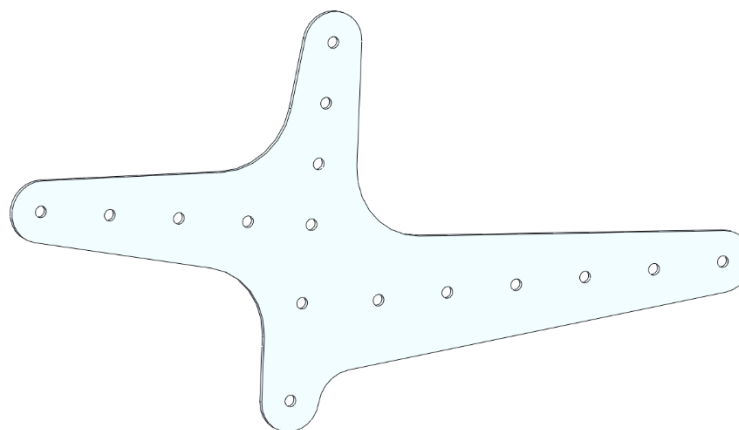


Title	Document no.	Revision	Page	Pages
Fuselage assembly manual	D2_F0_00	Rev. 03	240	414



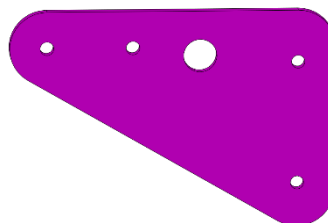
Detail: D2_F3_19N

Quantity: 1



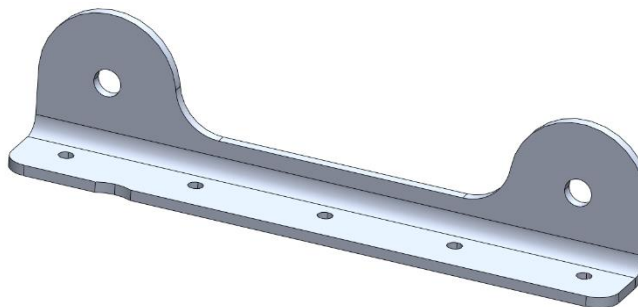
Detail: D2_F4_11N

Quantity: 1



Detail: D2_F4_12P

Quantity: 1

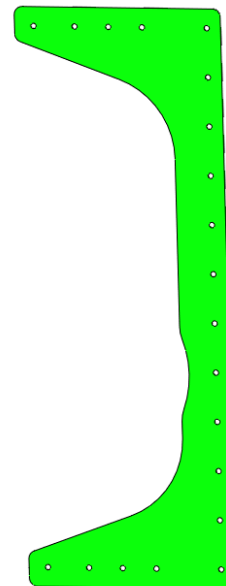


Title	Document no.	Revision	Page	Pages
Fuselage assembly manual	D2_F0_00	Rev. 03	241	414



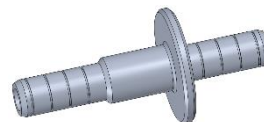
Detail: D2_F4_31N

Quantity: 1



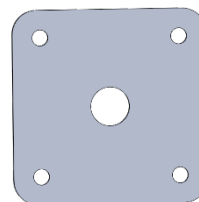
Detail: D2_F5_02N

Quantity: 1



Detail: D2_F5_03N

Quantity: 1

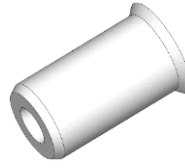


Title	Document no.	Revision	Page	Pages
Fuselage assembly manual	D2_F0_00	Rev. 03	242	414



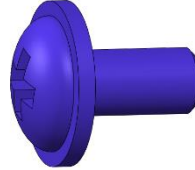
Detail: RivNut M3 cs

Quantity: 6



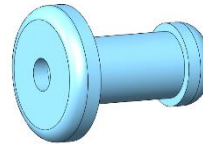
Detail: BOLT DIN 967 M3x6

Quantity: 6



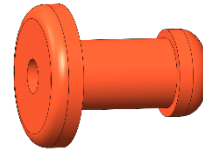
Detail: Rivet INOX 4 x12

Quantity: 2



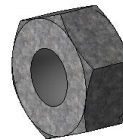
Detail: Rivet Al 4 x 9.5

Quantity: 3



Detail: Nut DIN 934 M8

Quantity: 1



Detail: Washer DIN 9021 M8

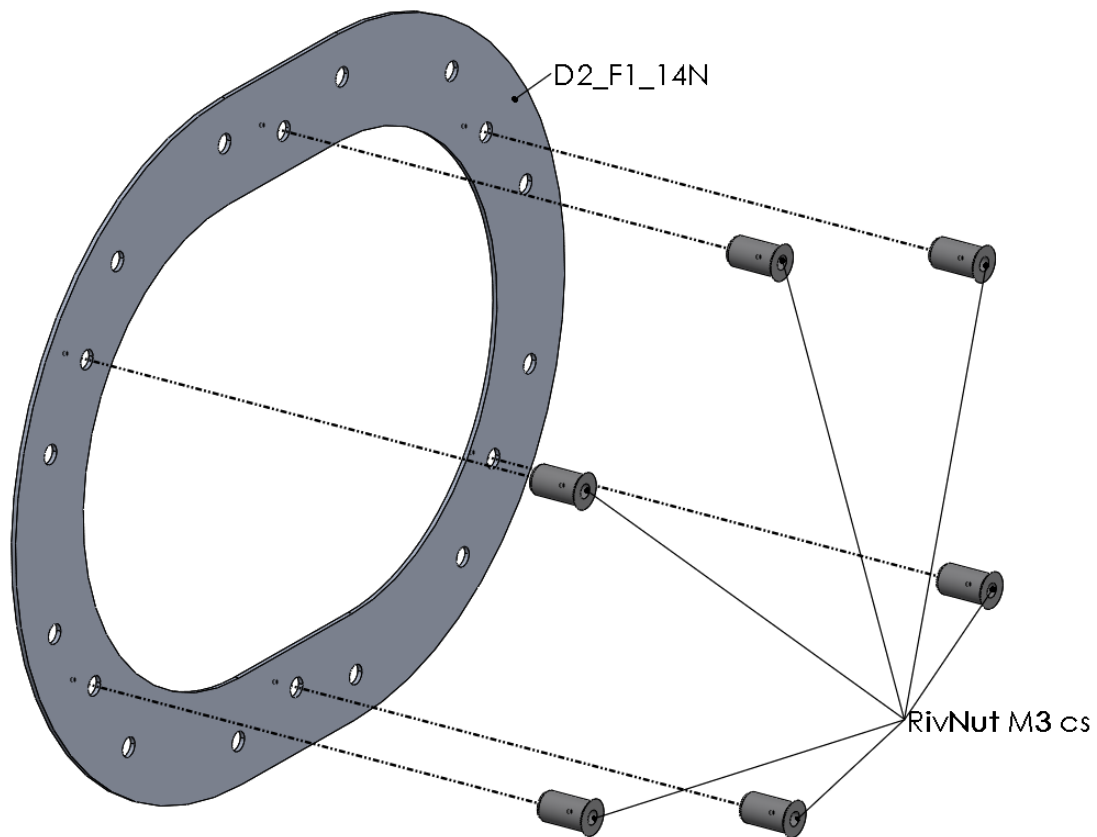
Quantity: 1



Title	Document no.	Revision	Page	Pages
Fuselage assembly manual	D2_F0_00	Rev. 03	243	414



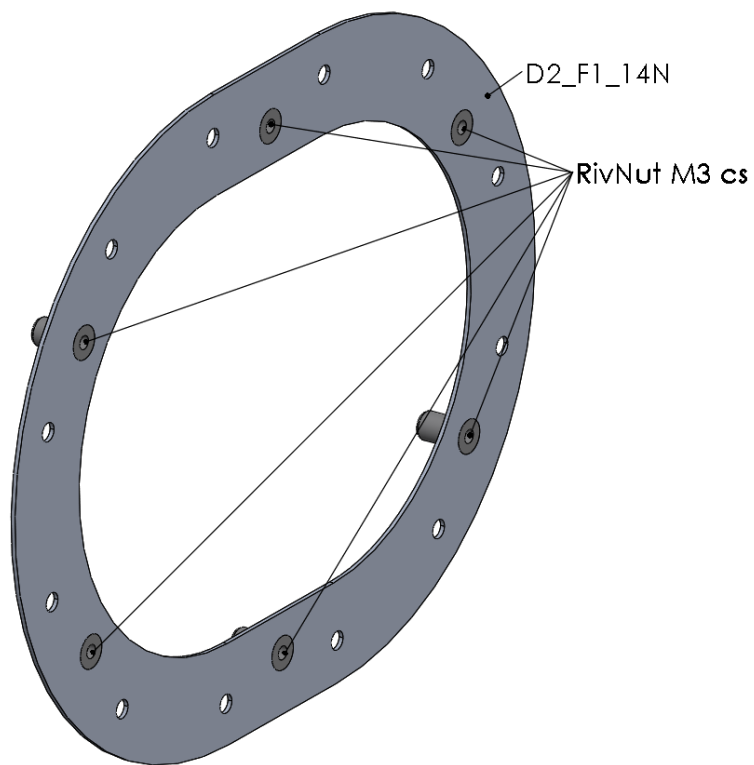
Step 1



Title	Document no.	Revision	Page	Pages
Fuselage assembly manual	D2_F0_00	Rev. 03	244	414



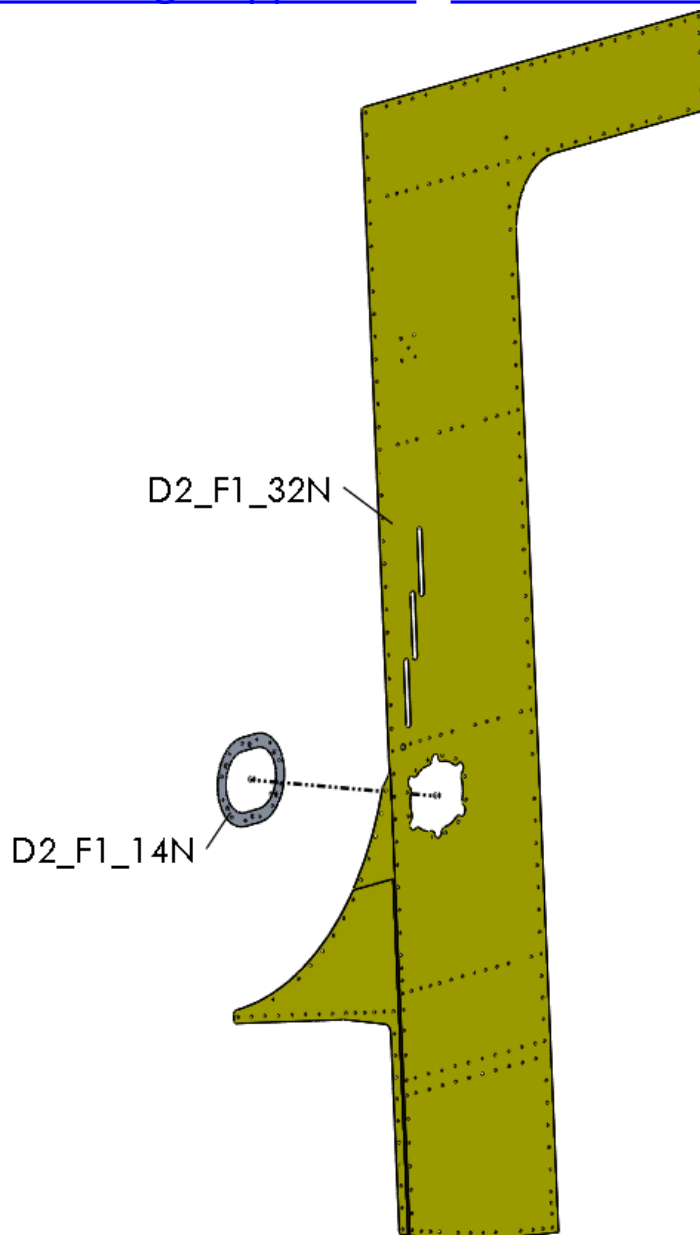
Step 2



Title	Document no.	Revision	Page	Pages
Fuselage assembly manual	D2_F0_00	Rev. 03	245	414



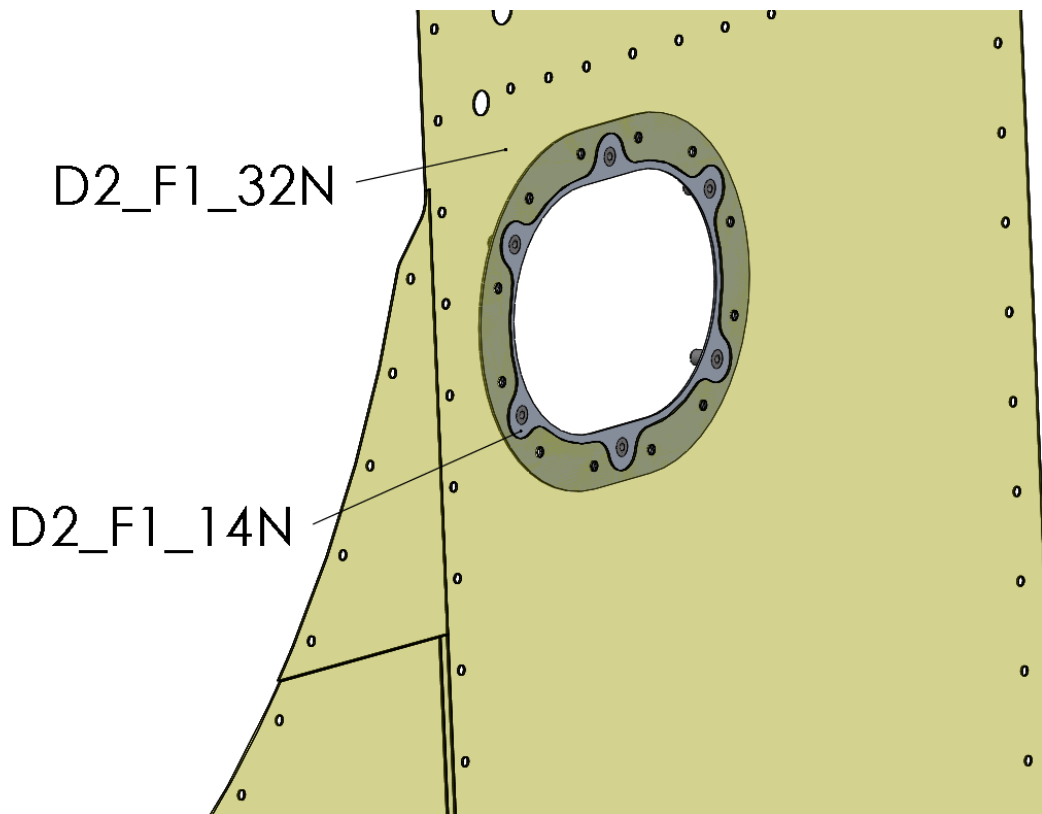
Step 3



Title	Document no.	Revision	Page	Pages
Fuselage assembly manual	D2_F0_00	Rev. 03	246	414



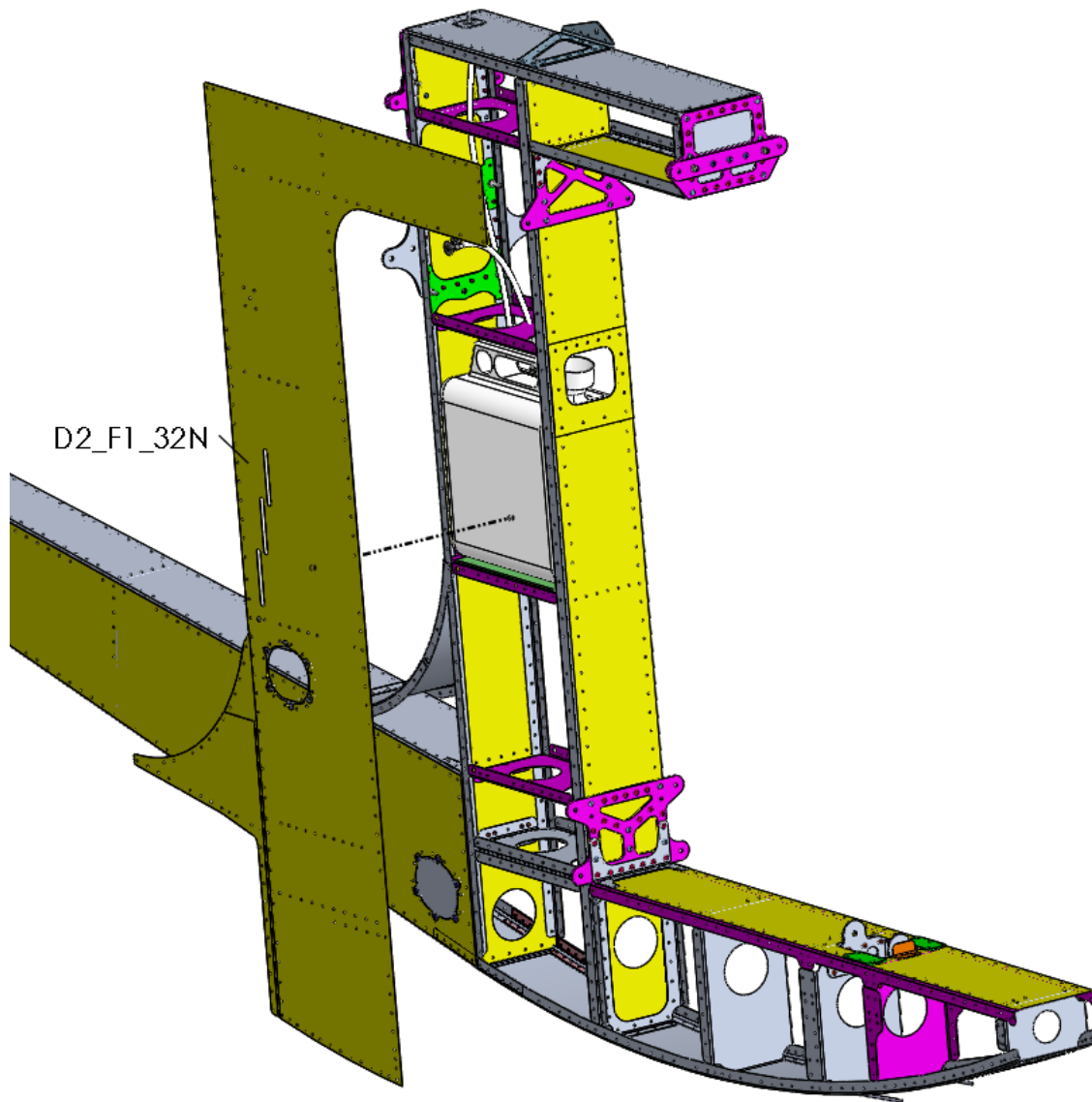
Step 4



Title	Document no.	Revision	Page	Pages
Fuselage assembly manual	D2_F0_00	Rev. 03	247	414



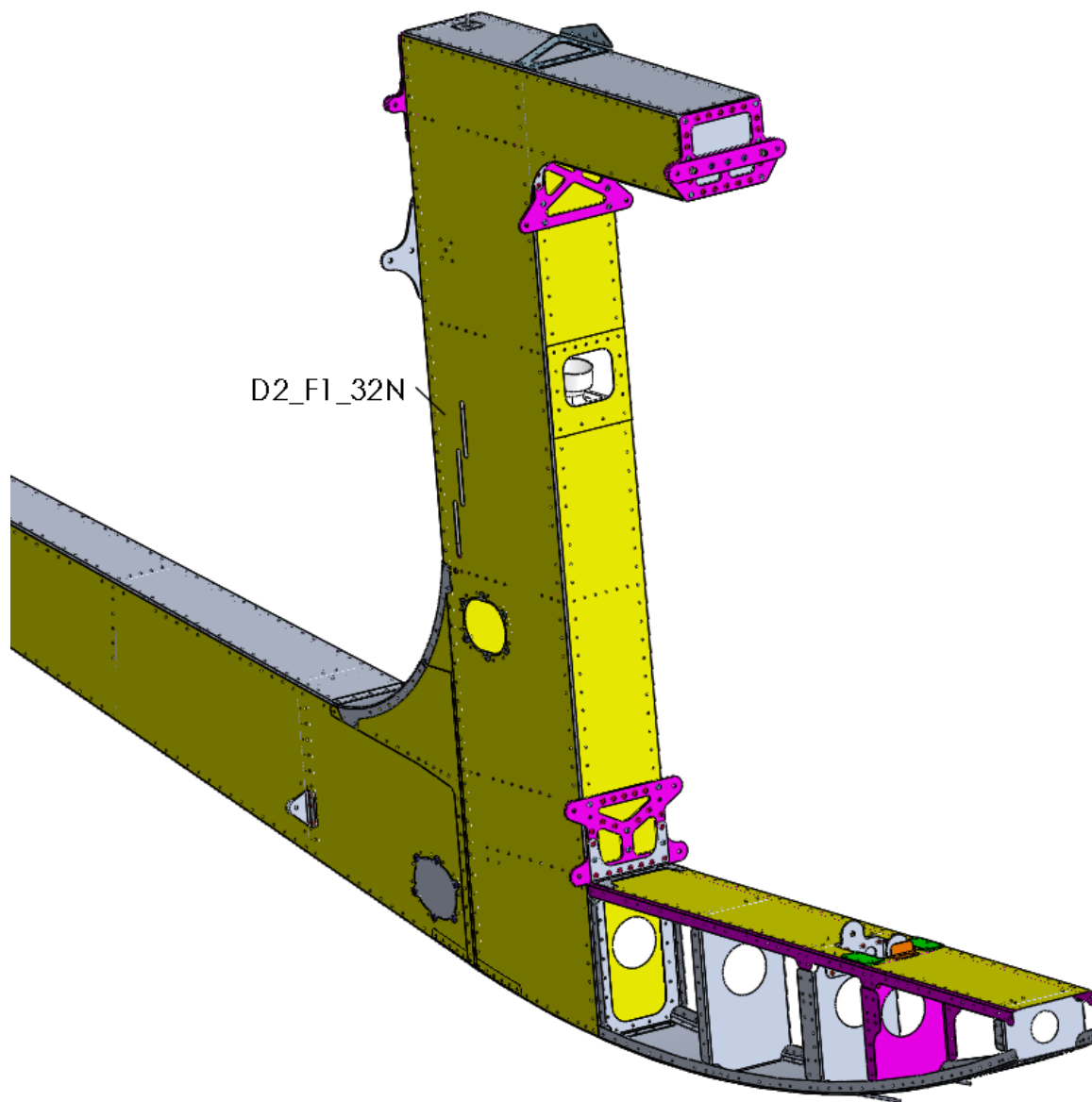
Step 5



Title	Document no.	Revision	Page	Pages
Fuselage assembly manual	D2_F0_00	Rev. 03	248	414



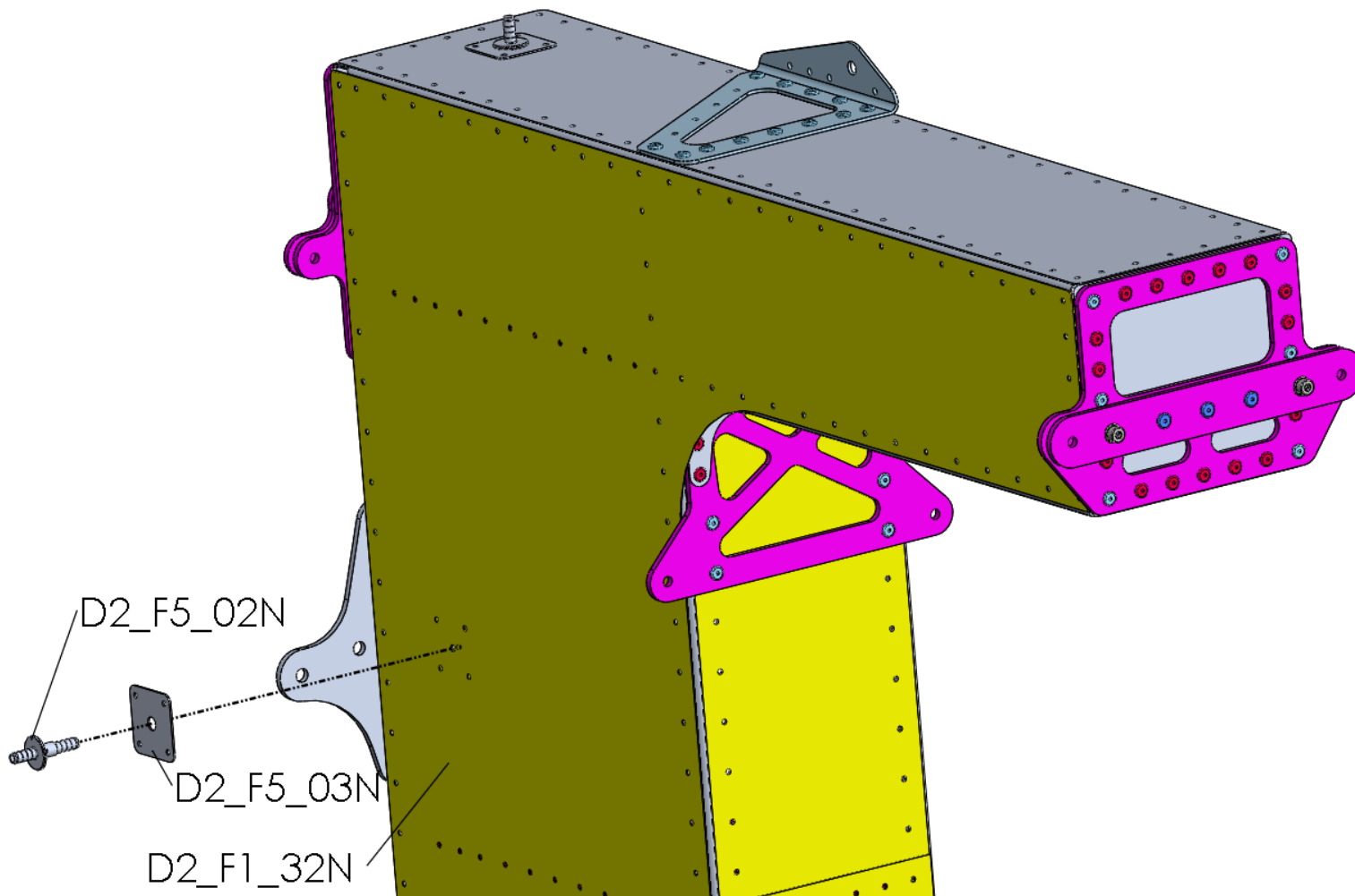
Step 6



Title	Document no.	Revision	Page	Pages
Fuselage assembly manual	D2_F0_00	Rev. 03	249	414



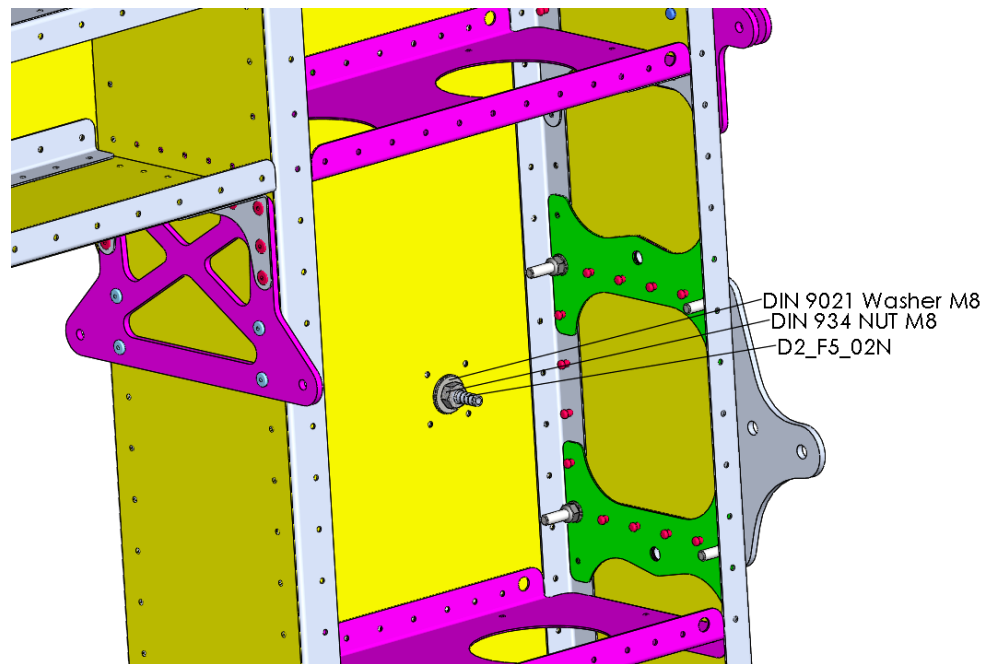
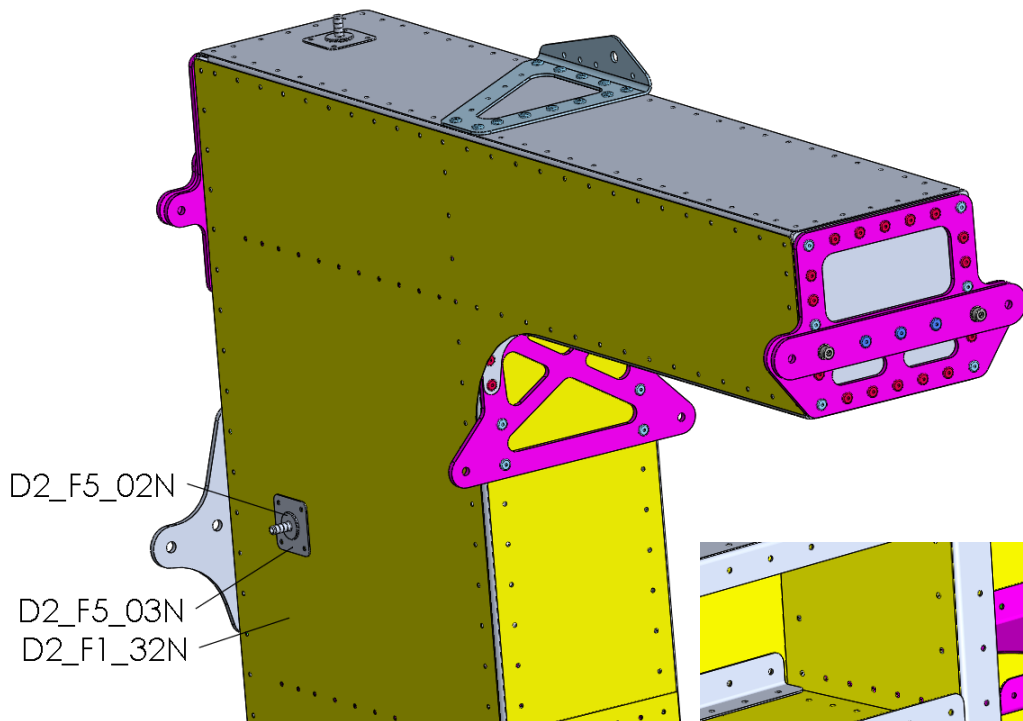
Step 7



Title	Document no.	Revision	Page	Pages
Fuselage assembly manual	D2_F0_00	Rev. 03	250	414



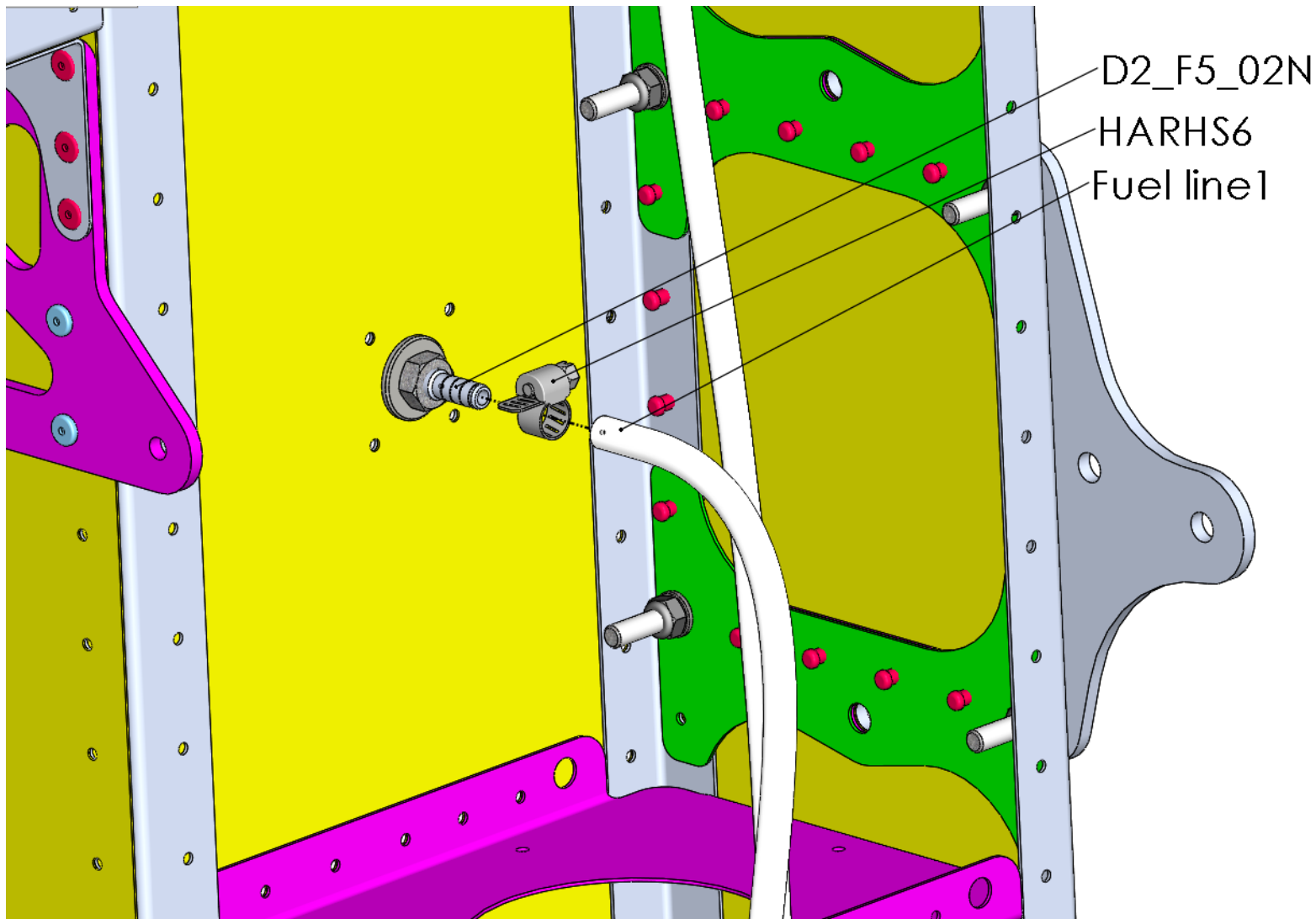
Step 8



Title	Document no.	Revision	Page	Pages
Fuselage assembly manual	D2_F0_00	Rev. 03	251	414



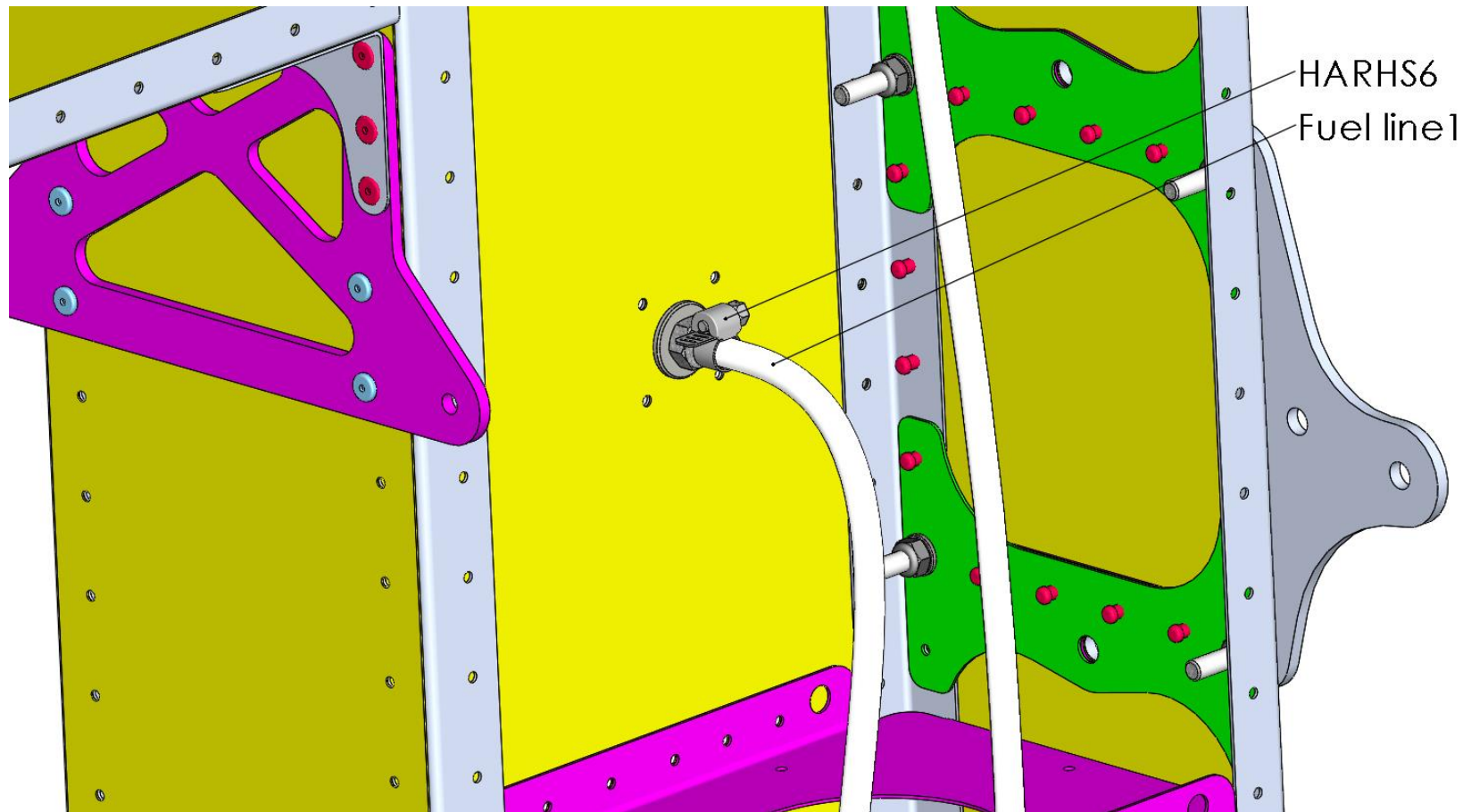
Step 9



Title	Document no.	Revision	Page	Pages
Fuselage assembly manual	D2_F0_00	Rev. 03	252	414



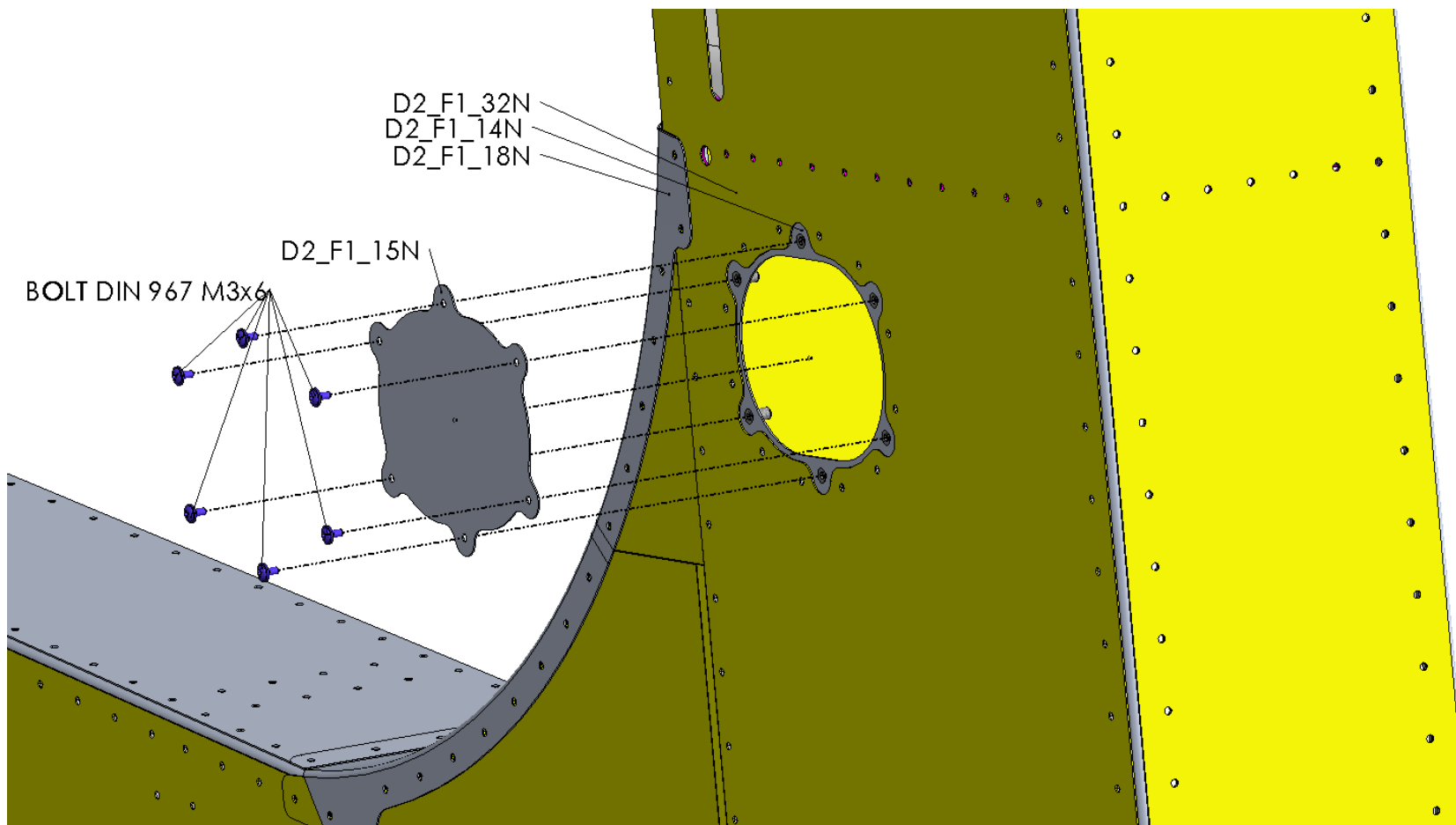
Step 10



Title	Document no.	Revision	Page	Pages
Fuselage assembly manual	D2_F0_00	Rev. 03	253	414



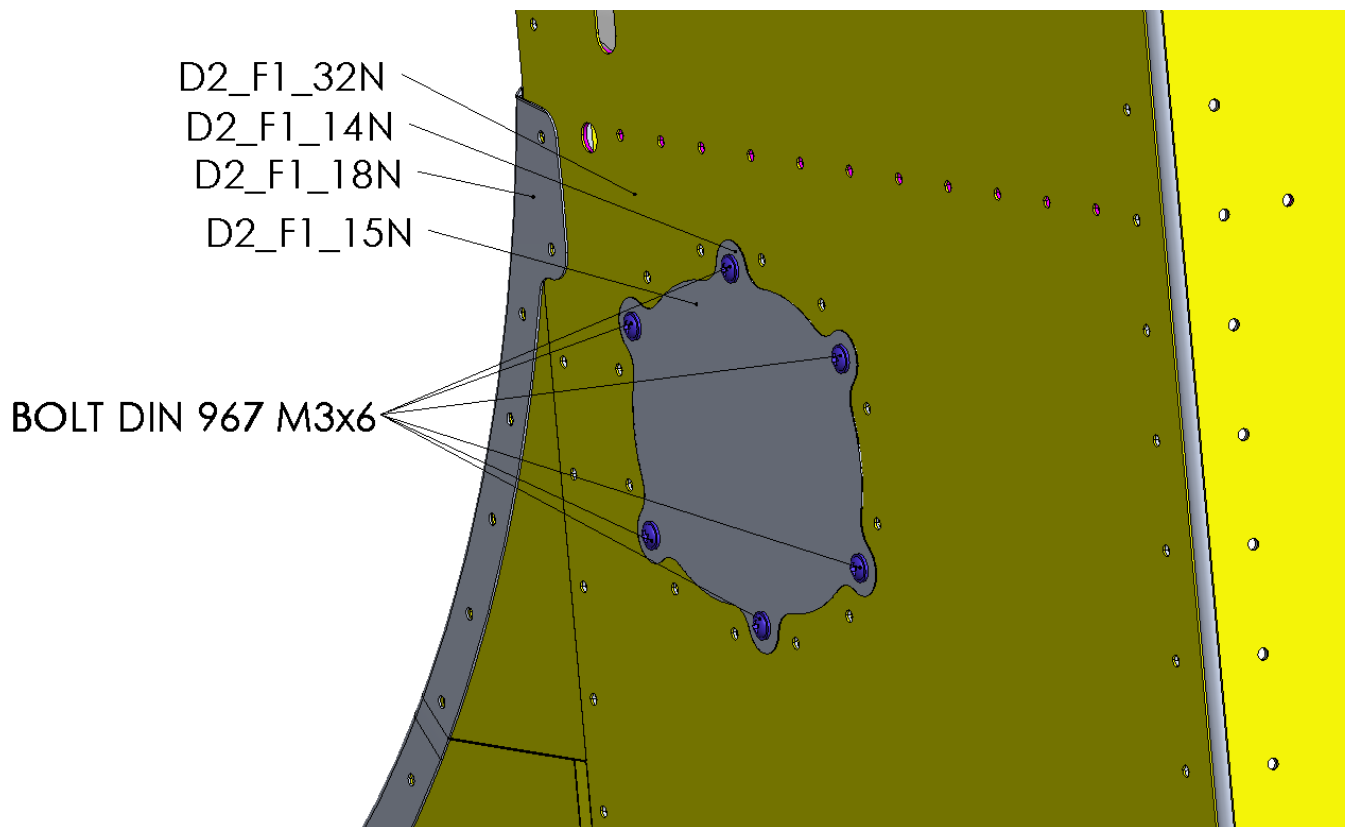
Step 11



Title	Document no.	Revision	Page	Pages
Fuselage assembly manual	D2_F0_00	Rev. 03	254	414



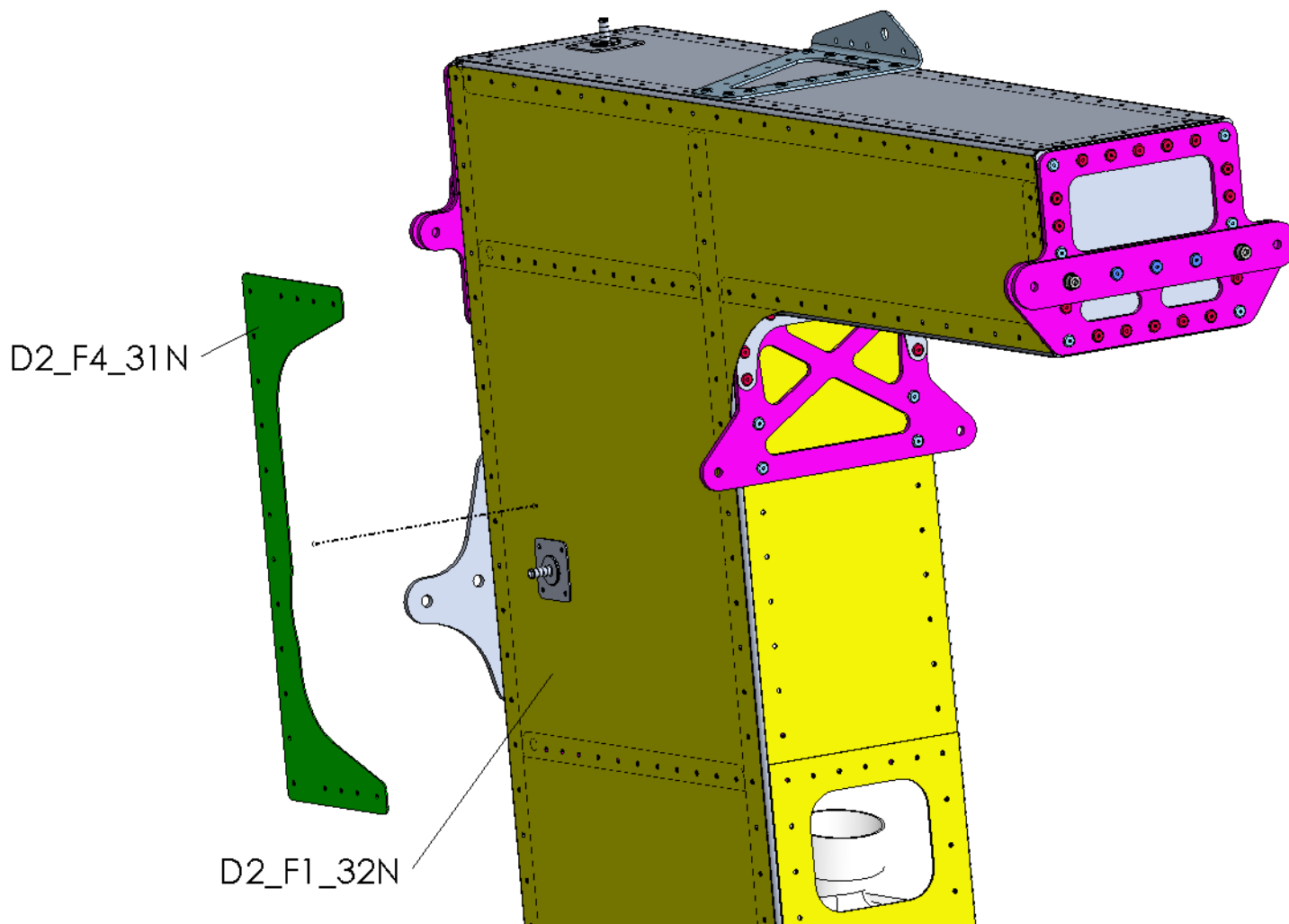
Step 12



Title	Document no.	Revision	Page	Pages
Fuselage assembly manual	D2_F0_00	Rev. 03	255	414



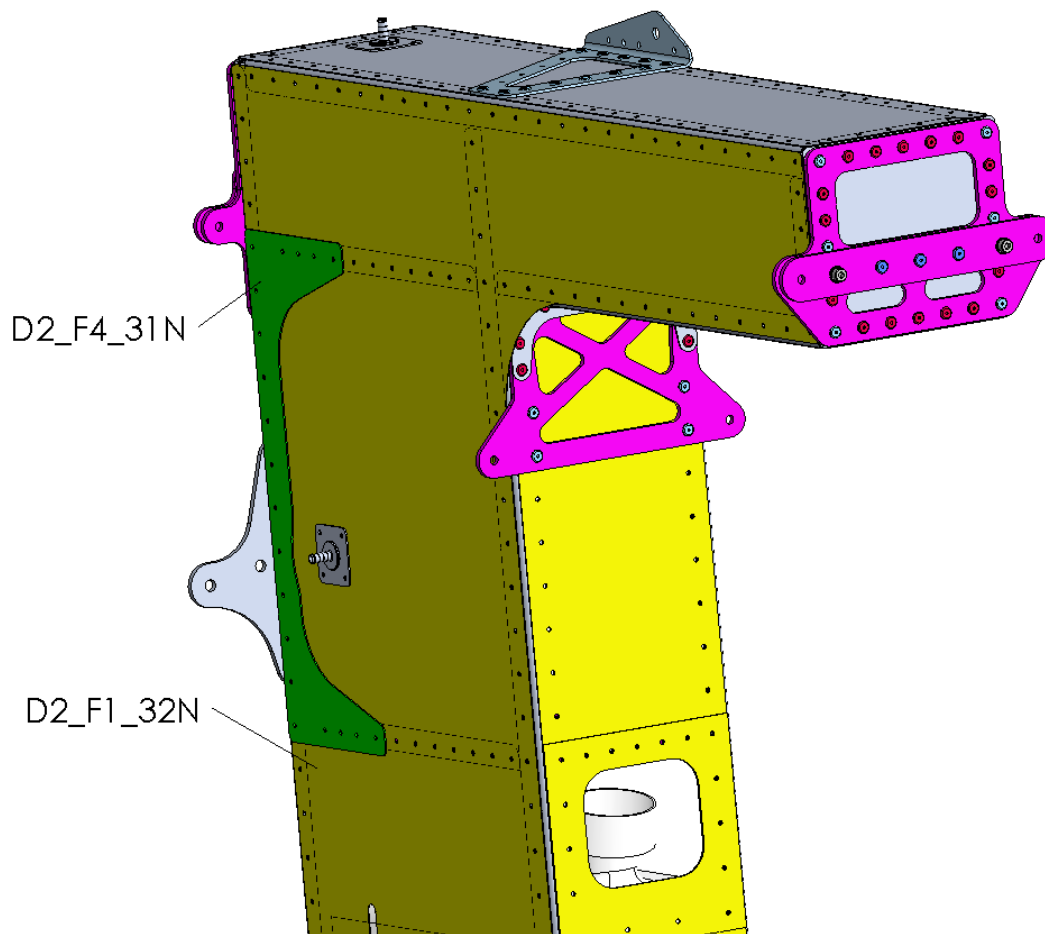
Step 13



Title	Document no.	Revision	Page	Pages
Fuselage assembly manual	D2_F0_00	Rev. 03	256	414



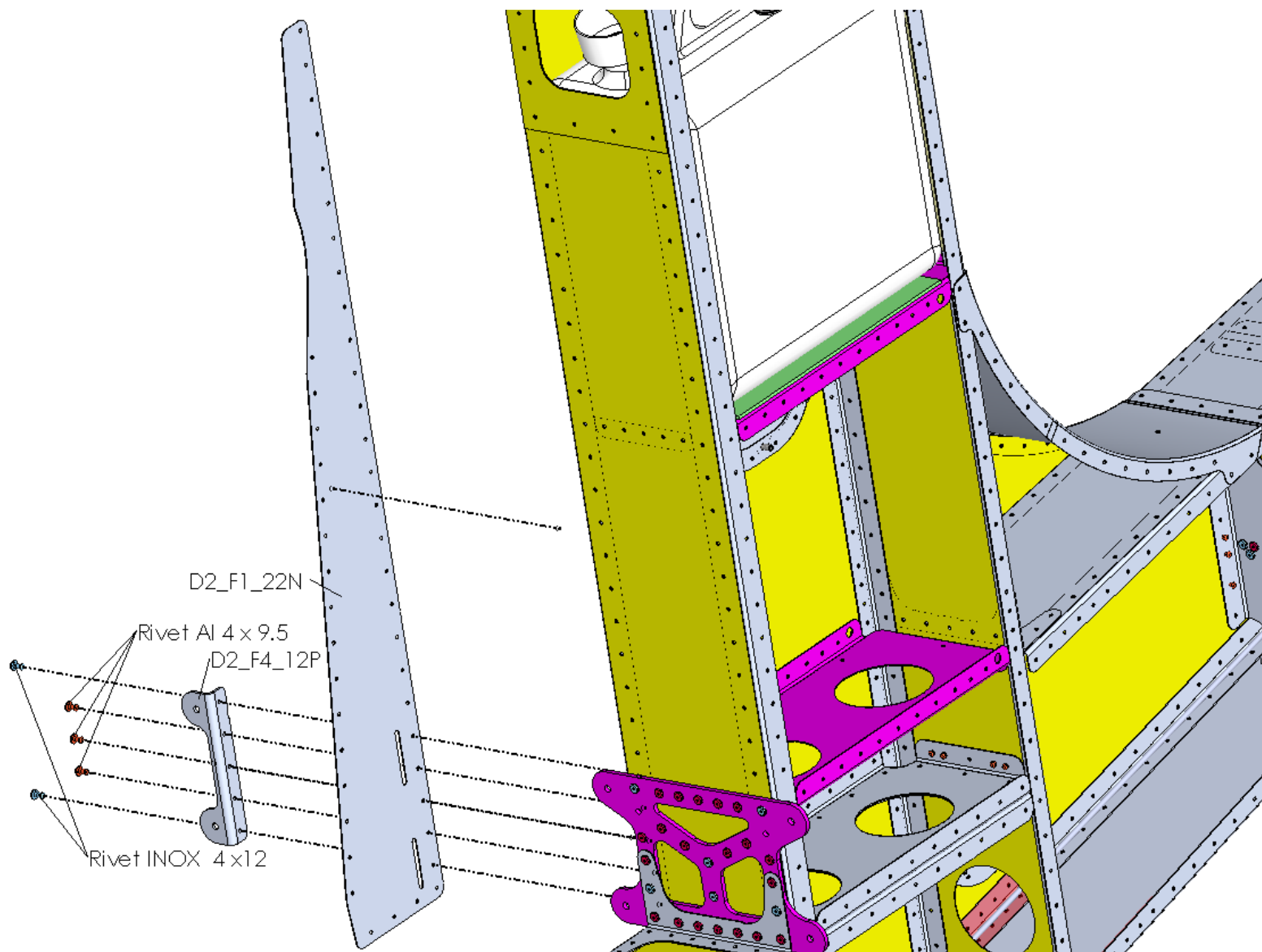
Step 14



Title	Document no.	Revision	Page	Pages
Fuselage assembly manual	D2_F0_00	Rev. 03	257	414



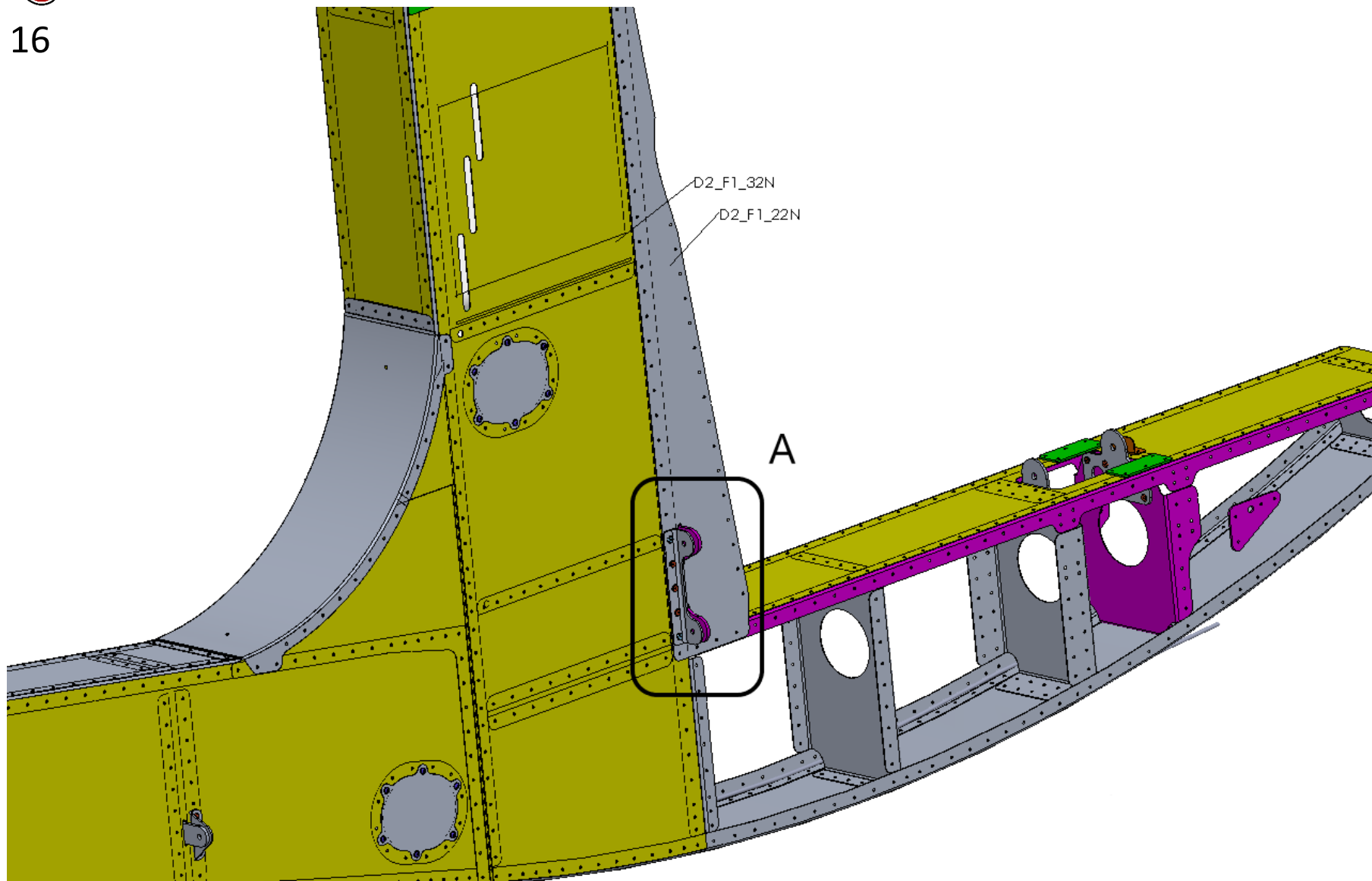
Step 15



Title	Document no.	Revision	Page	Pages
Fuselage assembly manual	D2_F0_00	Rev. 03	258	414



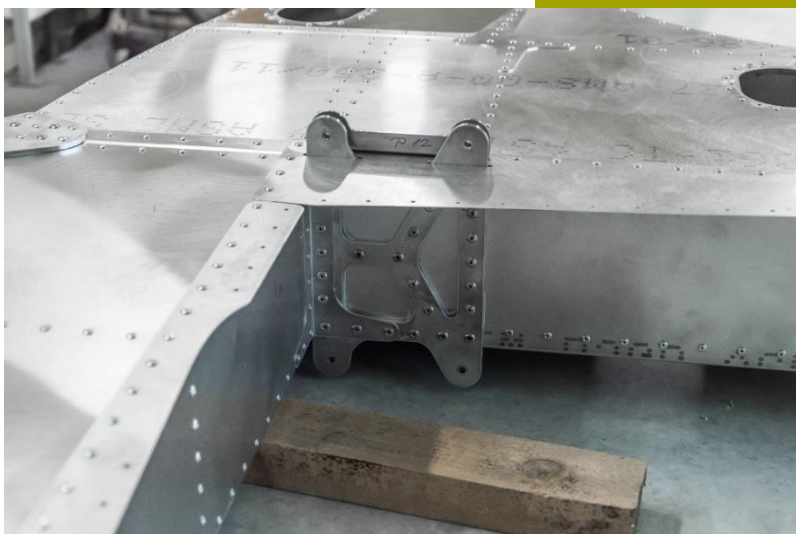
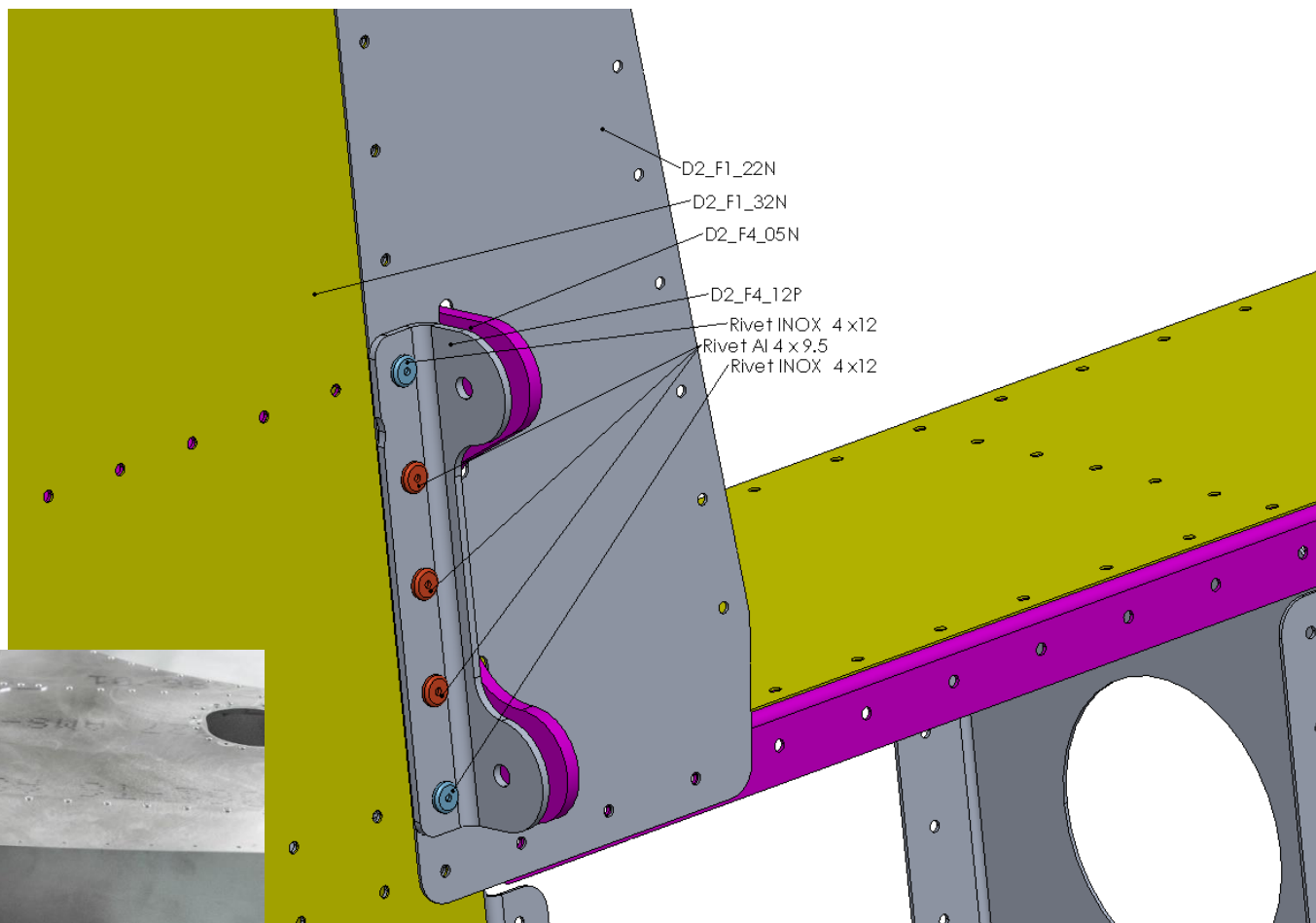
Step 16



Title	Document no.	Revision	Page	Pages
Fuselage assembly manual	D2_F0_00	Rev. 03	259	414



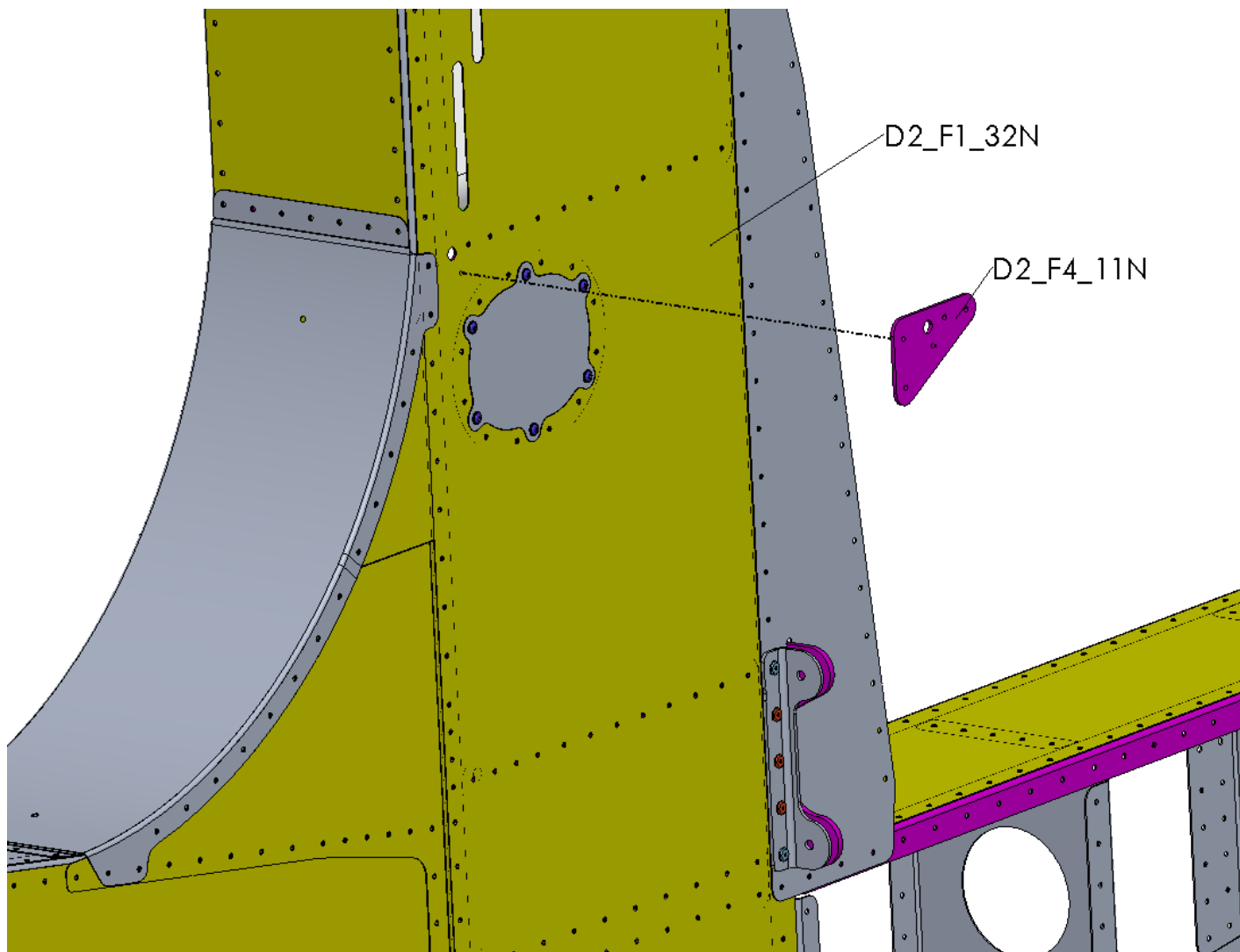
Step 16A



Title	Document no.	Revision	Page	Pages
Fuselage assembly manual	D2_F0_00	Rev. 03	260	414



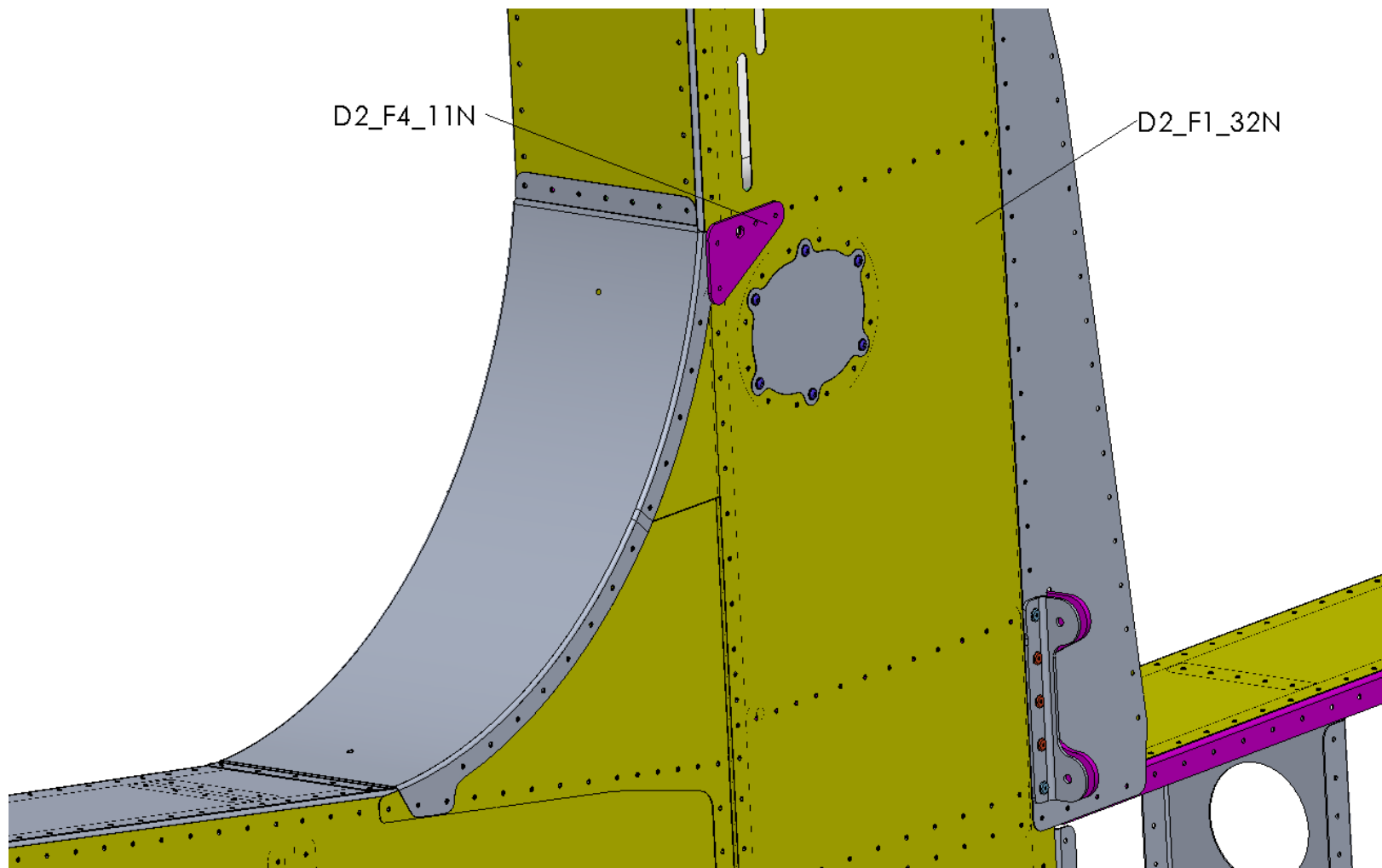
Step 17



Title	Document no.	Revision	Page	Pages
Fuselage assembly manual	D2_F0_00	Rev. 03	261	414



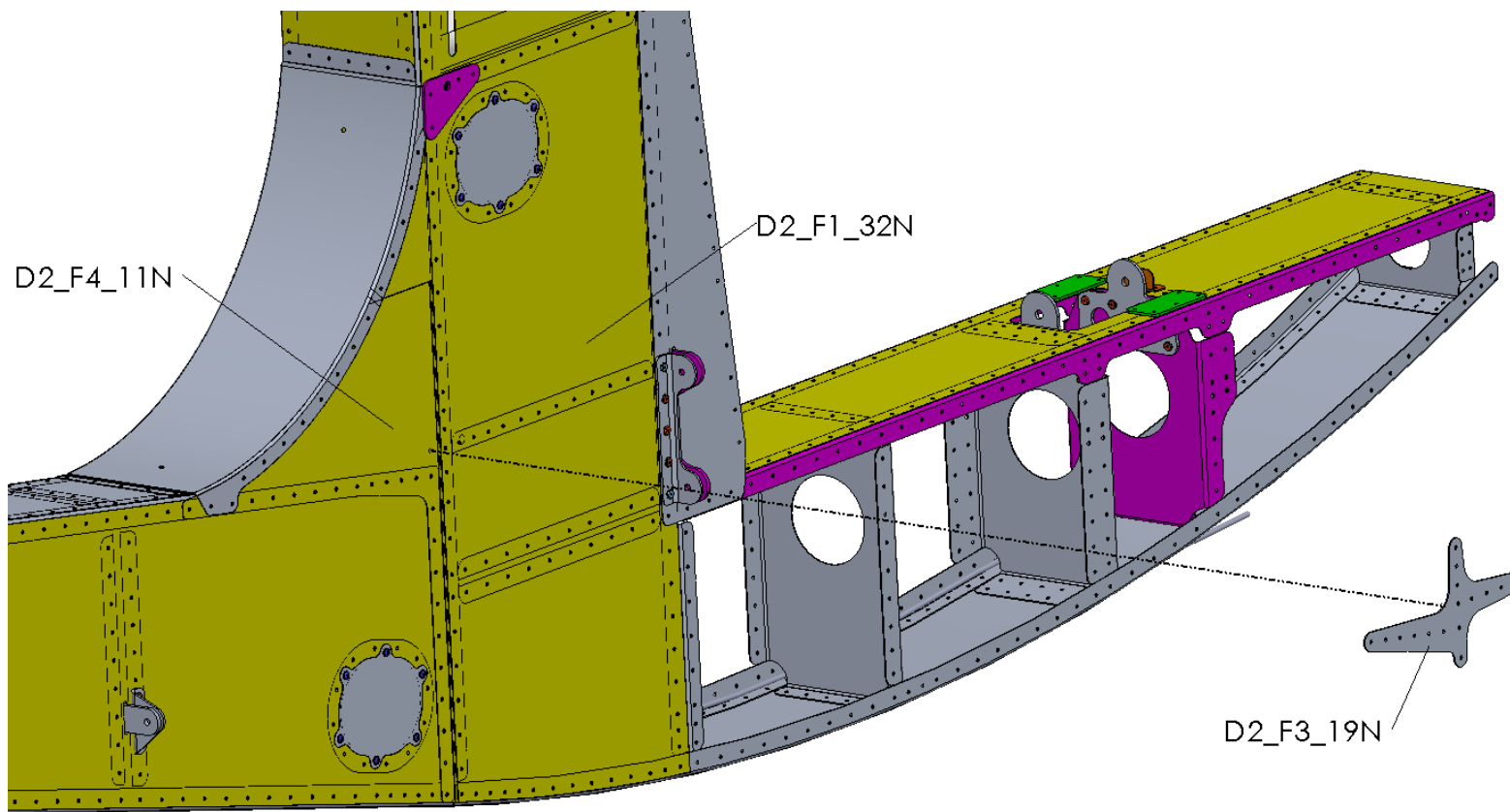
Step 18



Title	Document no.	Revision	Page	Pages
Fuselage assembly manual	D2_F0_00	Rev. 03	262	414



Step 19

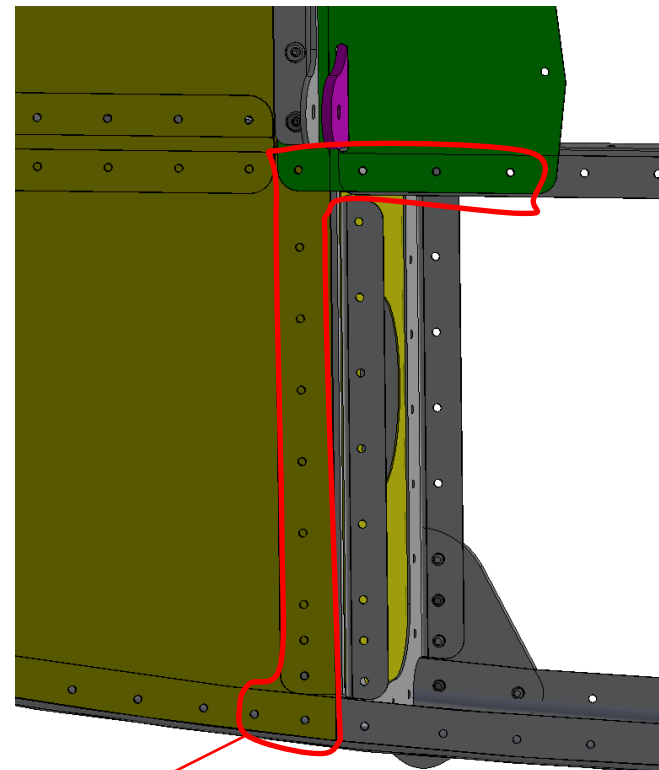
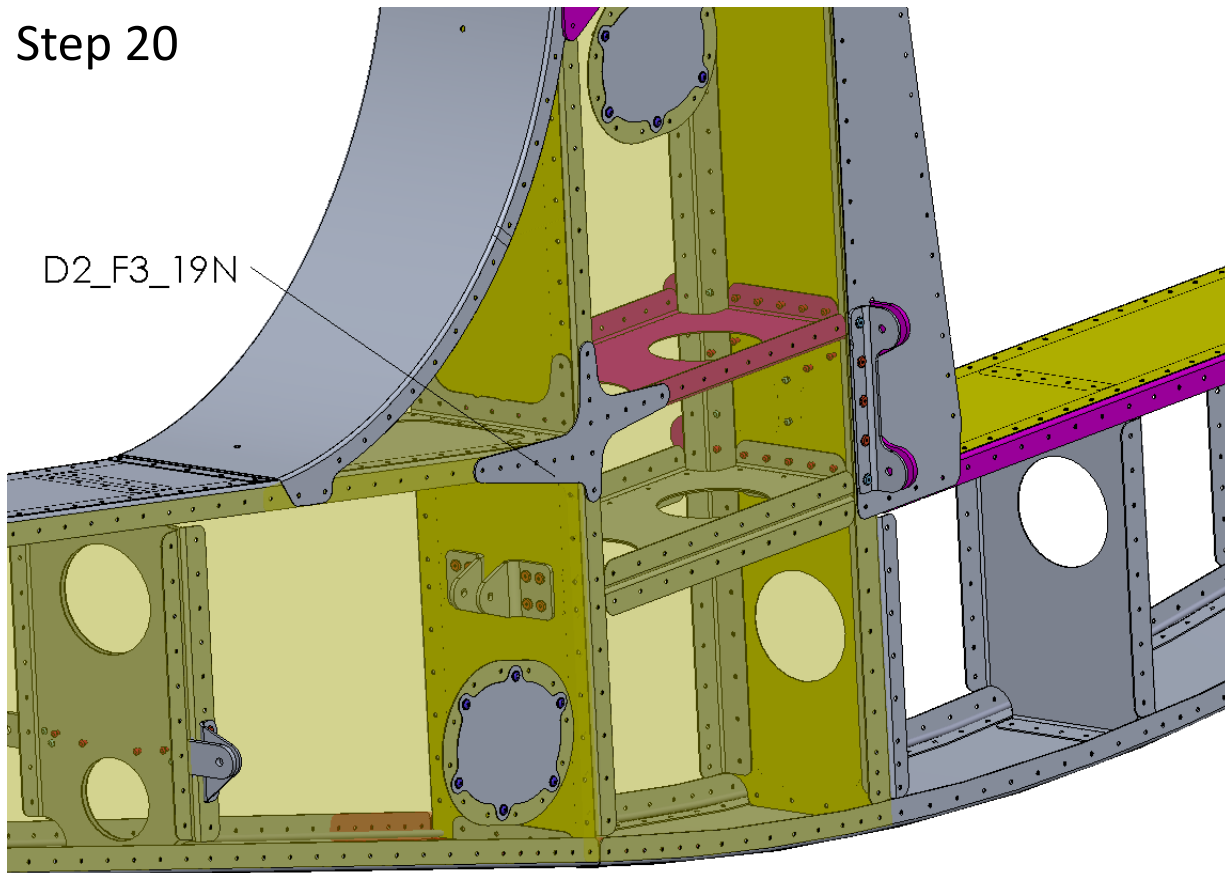


Title	Document no.	Revision	Page	Pages
Fuselage assembly manual	D2_F0_00	Rev. 03	263	414

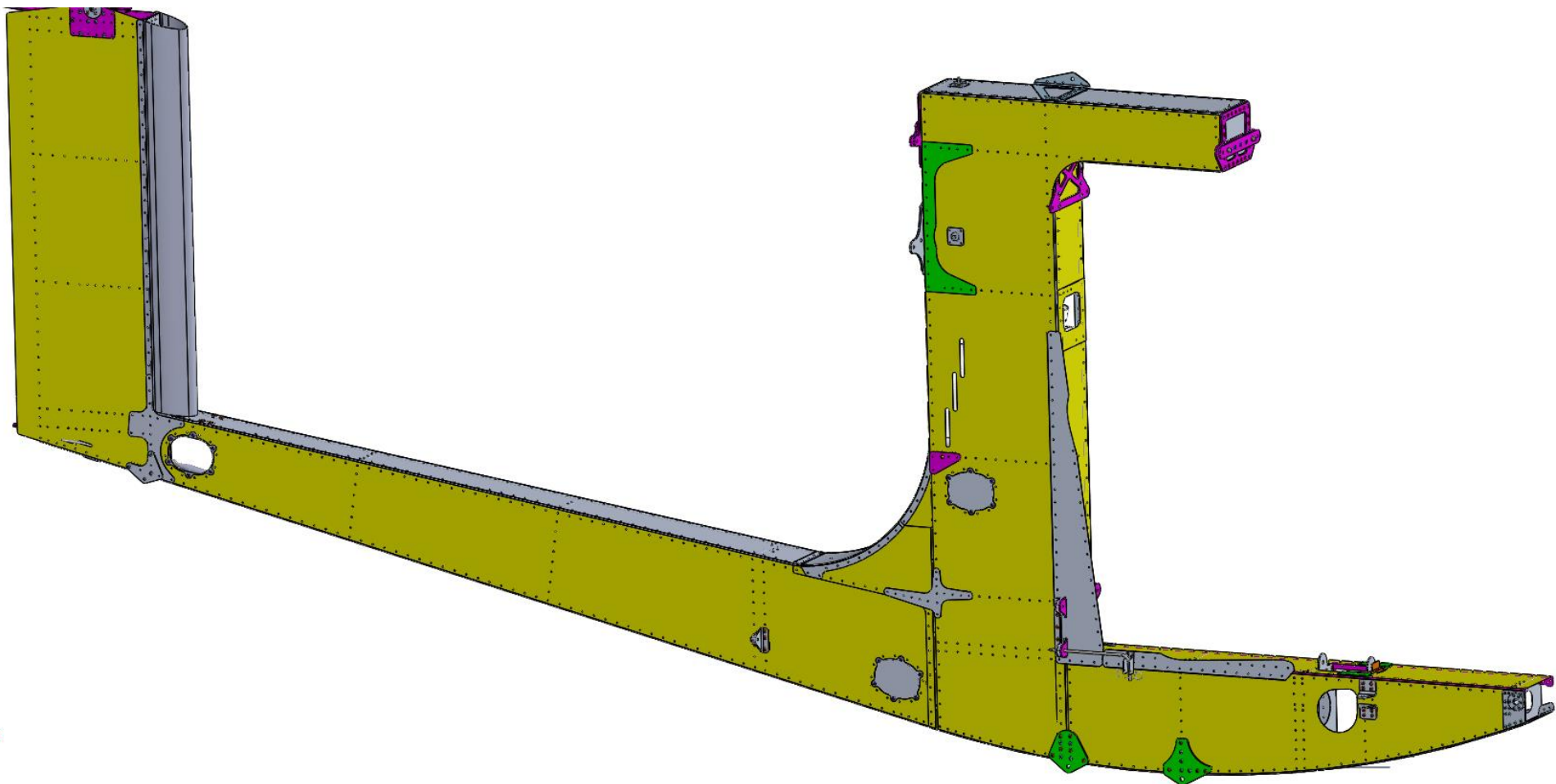


Step 20

D2_F3_19N



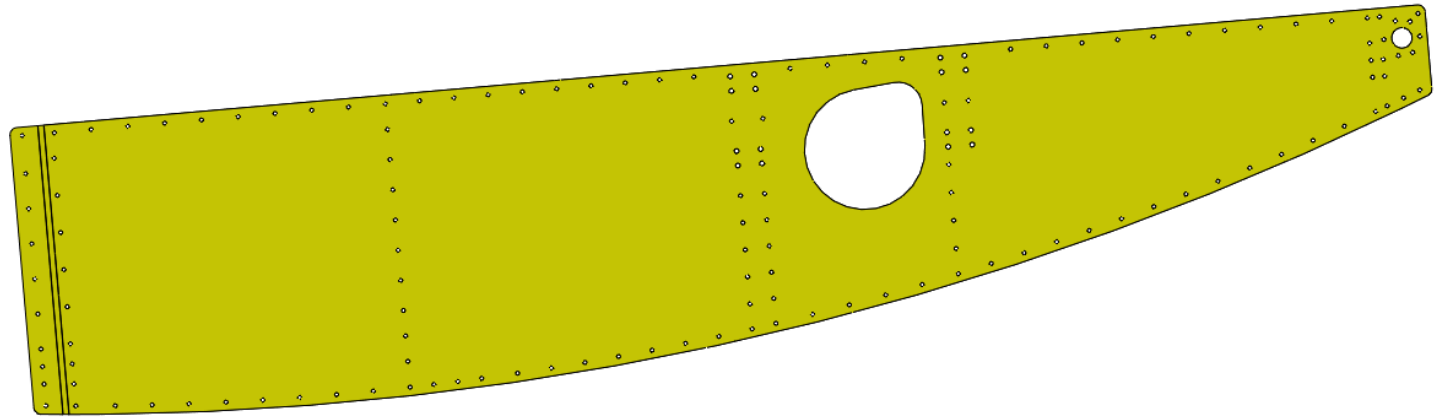
Title	Document no.	Revision	Page	Pages
Fuselage assembly manual	D2_F0_00	Rev. 03	264	414



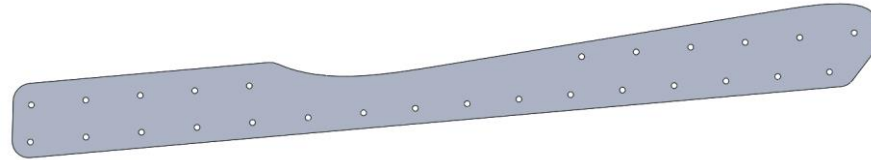
Title	Document no.	Revision	Page	Pages
Fuselage assembly manual	D2_F0_00	Rev. 03	265	414



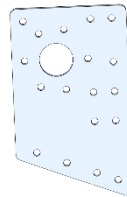
Detail: D2_F1_03P
Quantity: 1



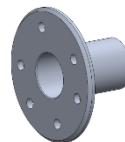
Detail: D2_F1_21N
Quantity: 1



Detail: D2_F4_13N
Quantity: 1



Detail: D2_F4_14N
Quantity: 1

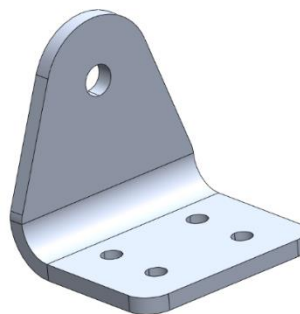


Title	Document no.	Revision	Page	Pages
Fuselage assembly manual	D2_F0_00	Rev. 03	266	414



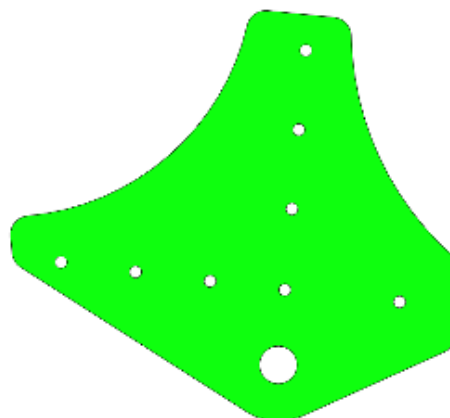
Detail: D2_F4_17N

Quantity: 2



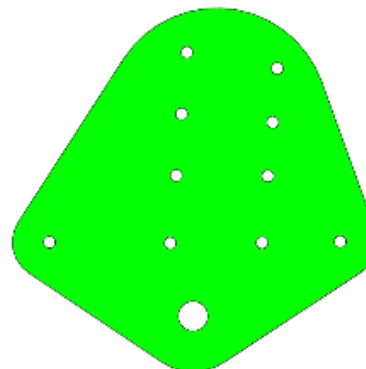
Detail: D2_F4_18N

Quantity: 1



Detail: D2_F4_19N

Quantity: 1

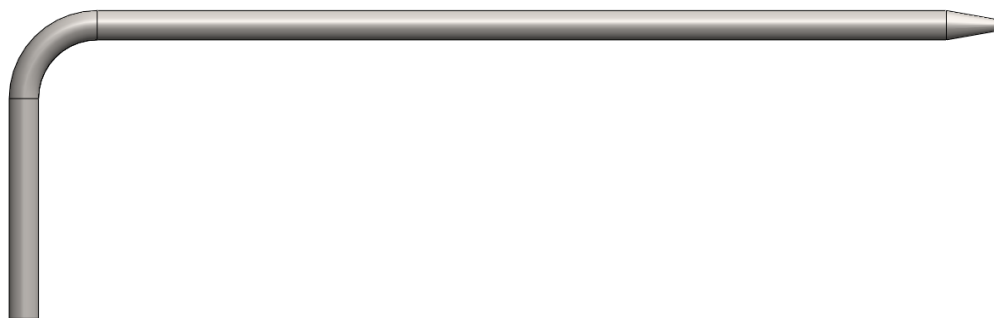


Title	Document no.	Revision	Page	Pages
Fuselage assembly manual	D2_F0_00	Rev. 03	267	414



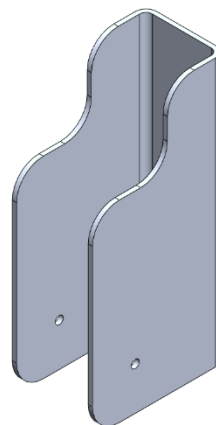
Detail: D2_F4_35N

Quantity: 1



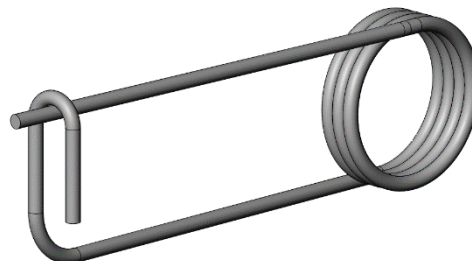
Detail: D2_F4_36N

Quantity: 1



Detail: 90026A103_18-8 Stainless Steel
Strong-Hold Wire-Snap Cotter Pin

Quantity: 1

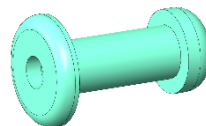


Title	Document no.	Revision	Page	Pages
Fuselage assembly manual	D2_F0_00	Rev. 03	268	414



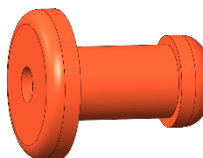
Detail: Rivet Al 3.2 x11.2

Quantity: 18



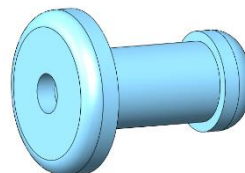
Detail: Rivet Al 4 x 9.5

Quantity: 18



Detail: Rivet INOX 4 x12

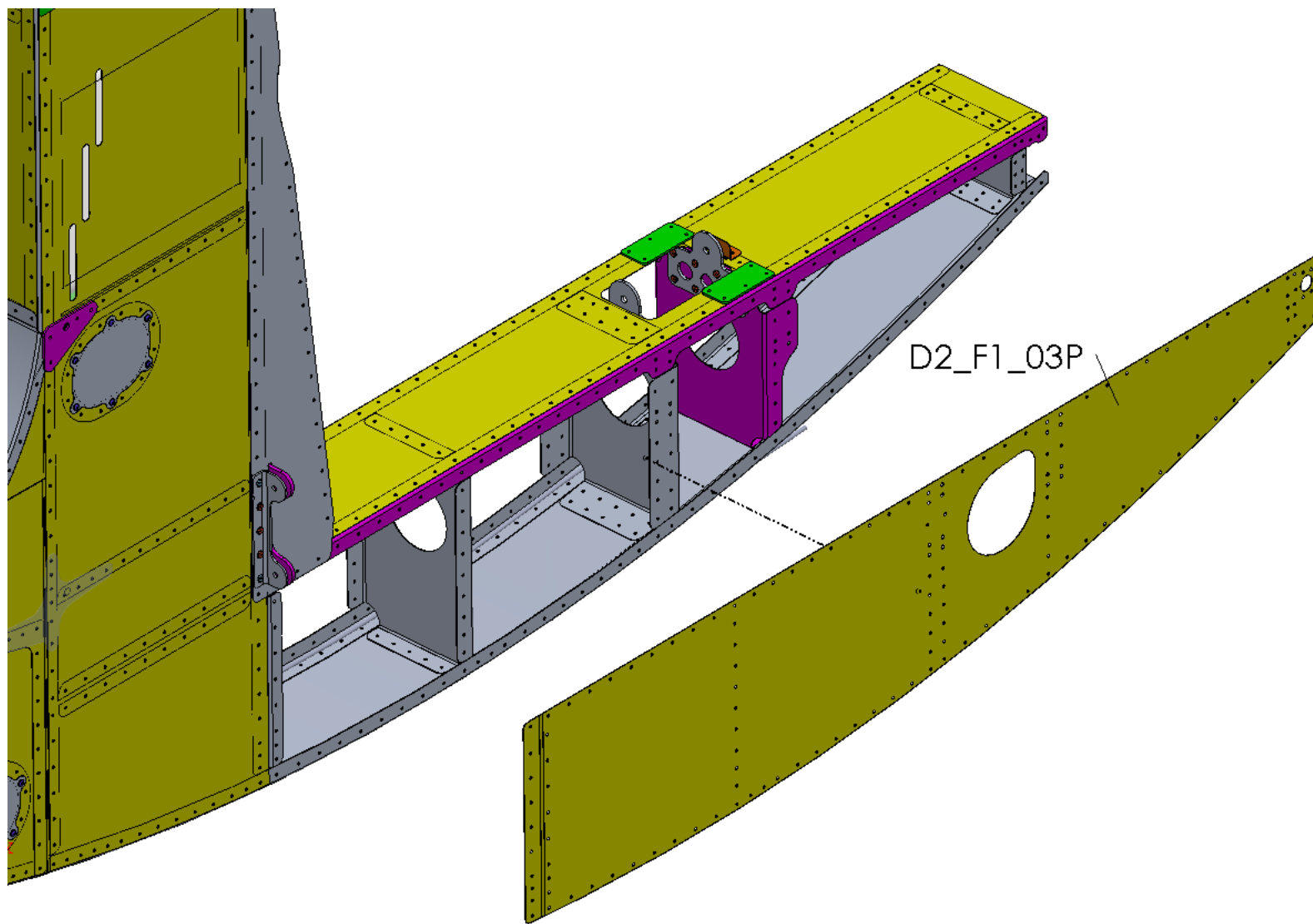
Quantity: 8



Title	Document no.	Revision	Page	Pages
Fuselage assembly manual	D2_F0_00	Rev. 03	269	414



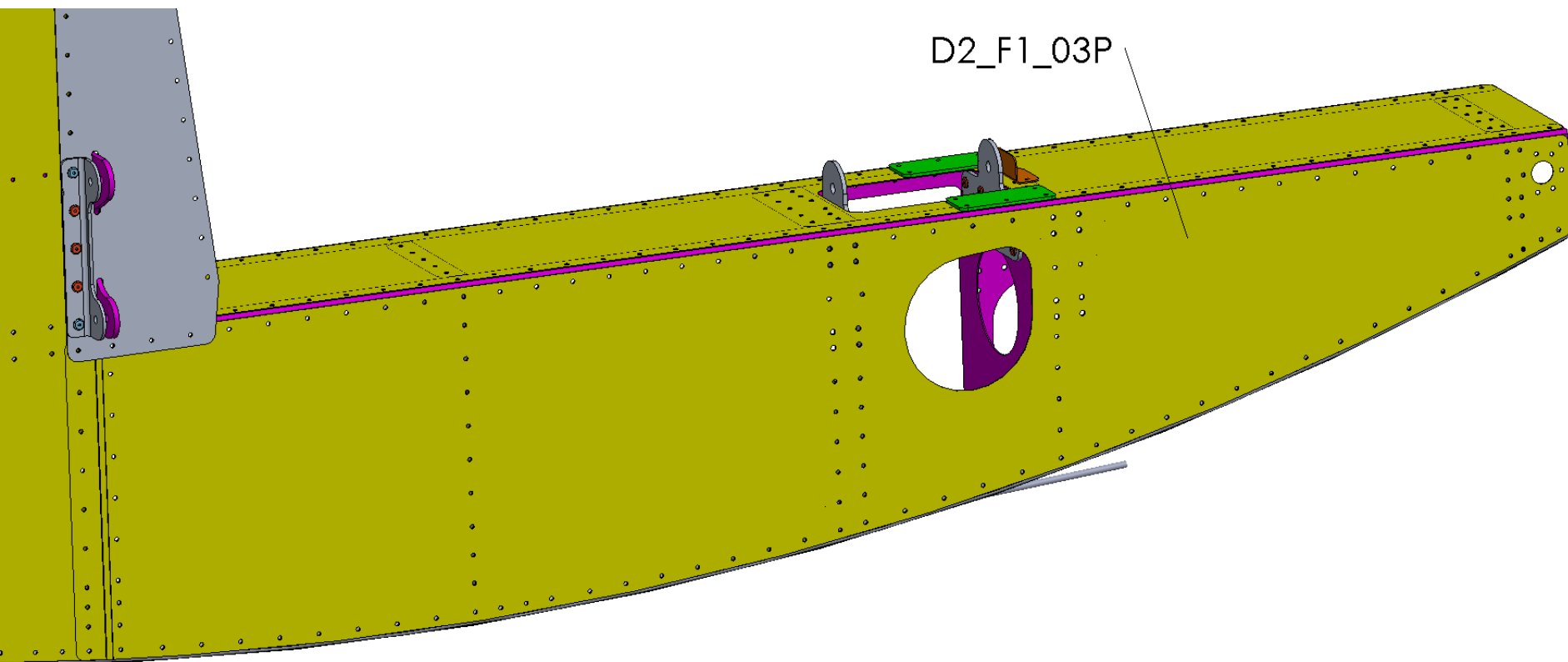
Step 1



Title	Document no.	Revision	Page	Pages
Fuselage assembly manual	D2_F0_00	Rev. 03	270	414



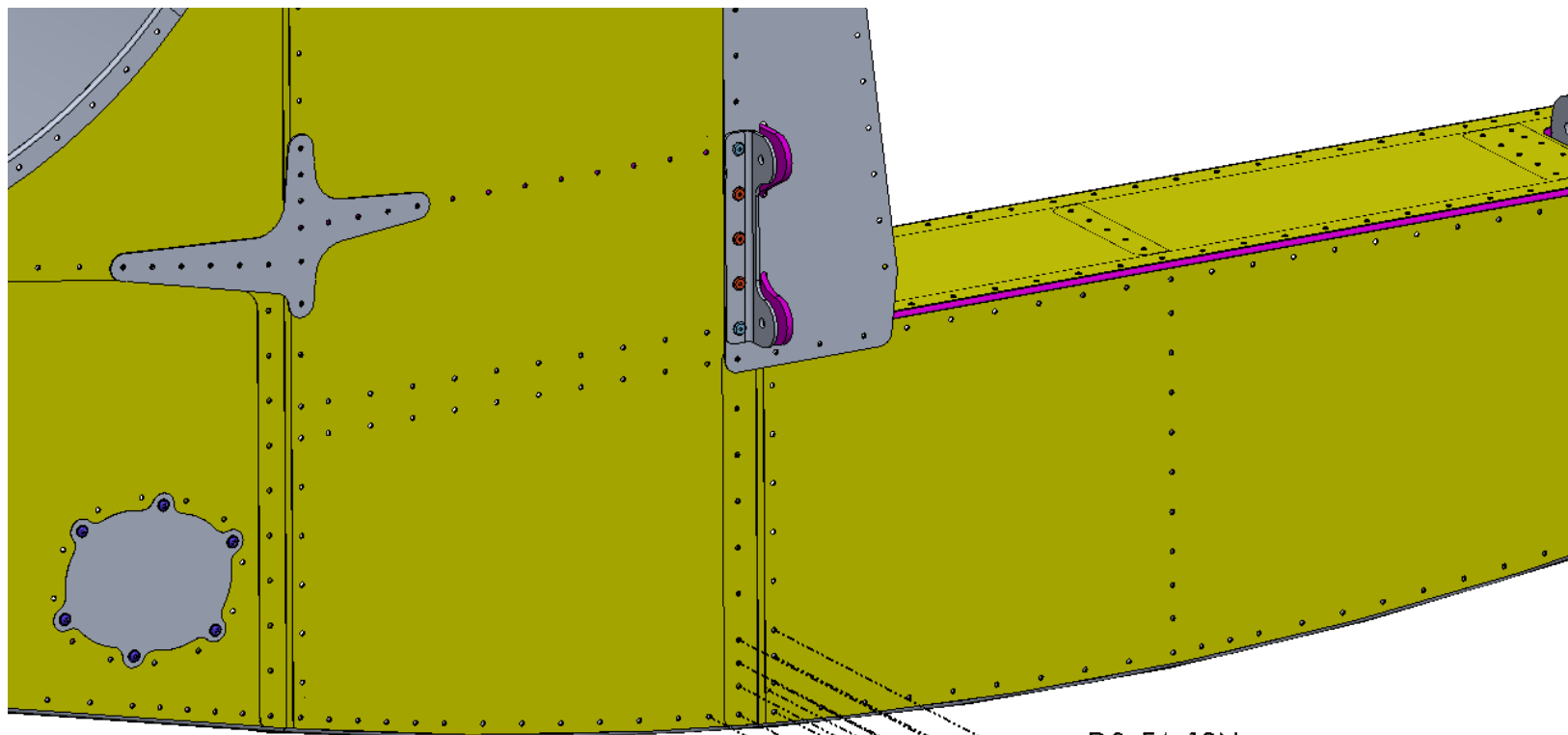
Step 2



Title	Document no.	Revision	Page	Pages
Fuselage assembly manual	D2_F0_00	Rev. 03	271	414



Step 3



10x Hole \varnothing 4mm



D2_F4_19N

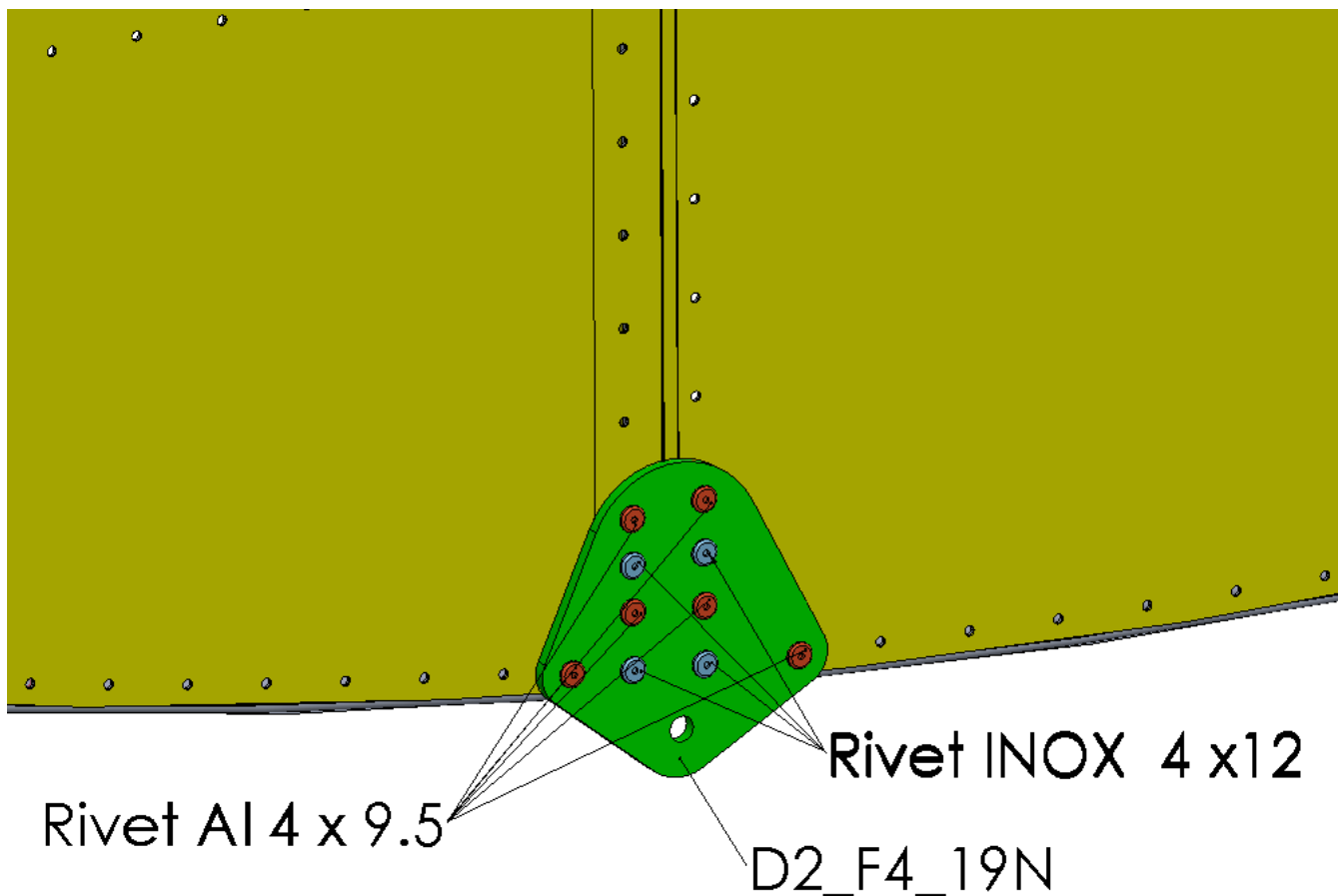
Rivet Al 4 x 9.5

Rivet INOX 4 x 12

Title	Document no.	Revision	Page	Pages
Fuselage assembly manual	D2_F0_00	Rev. 03	272	414



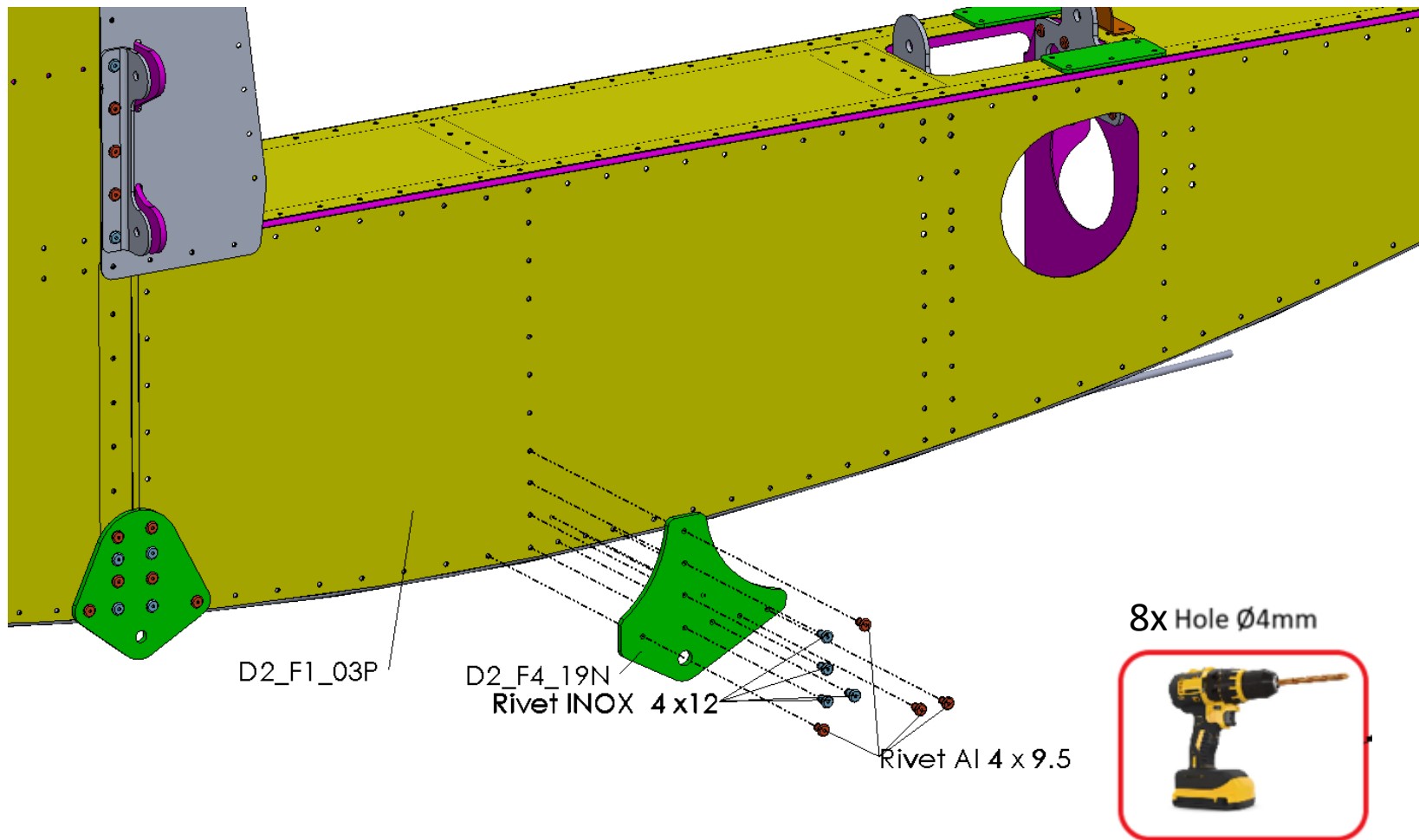
Step 4



Title	Document no.	Revision	Page	Pages
Fuselage assembly manual	D2_F0_00	Rev. 03	273	414



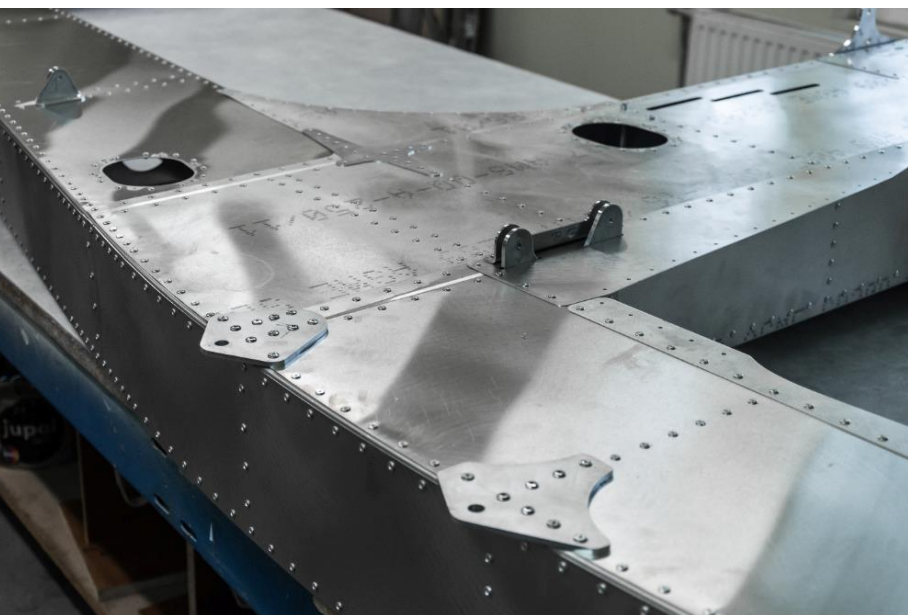
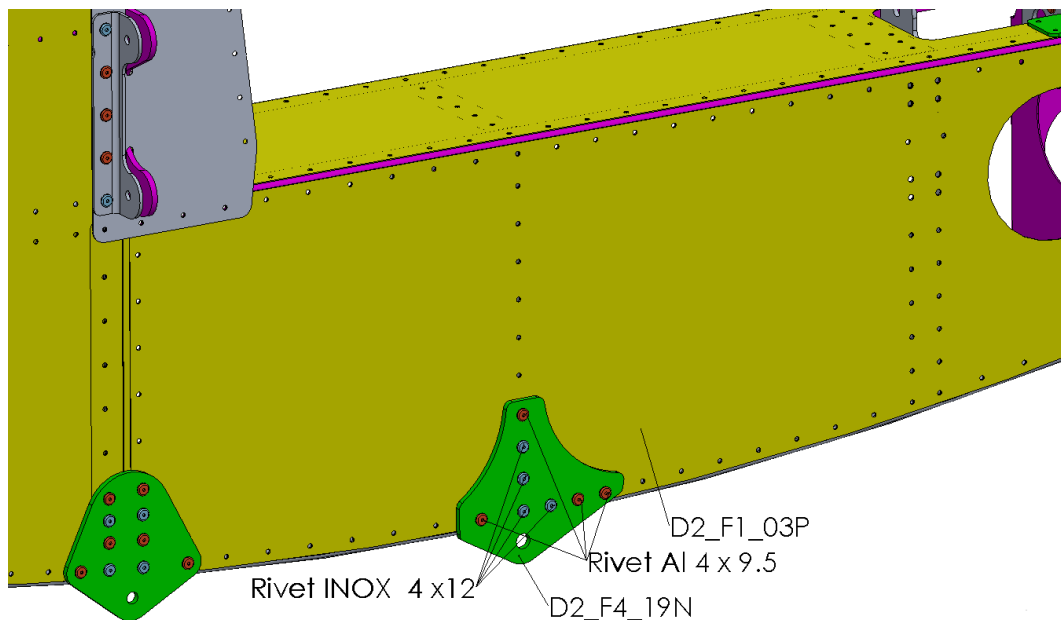
Step 5



Title	Document no.	Revision	Page	Pages
Fuselage assembly manual	D2_F0_00	Rev. 03	274	414



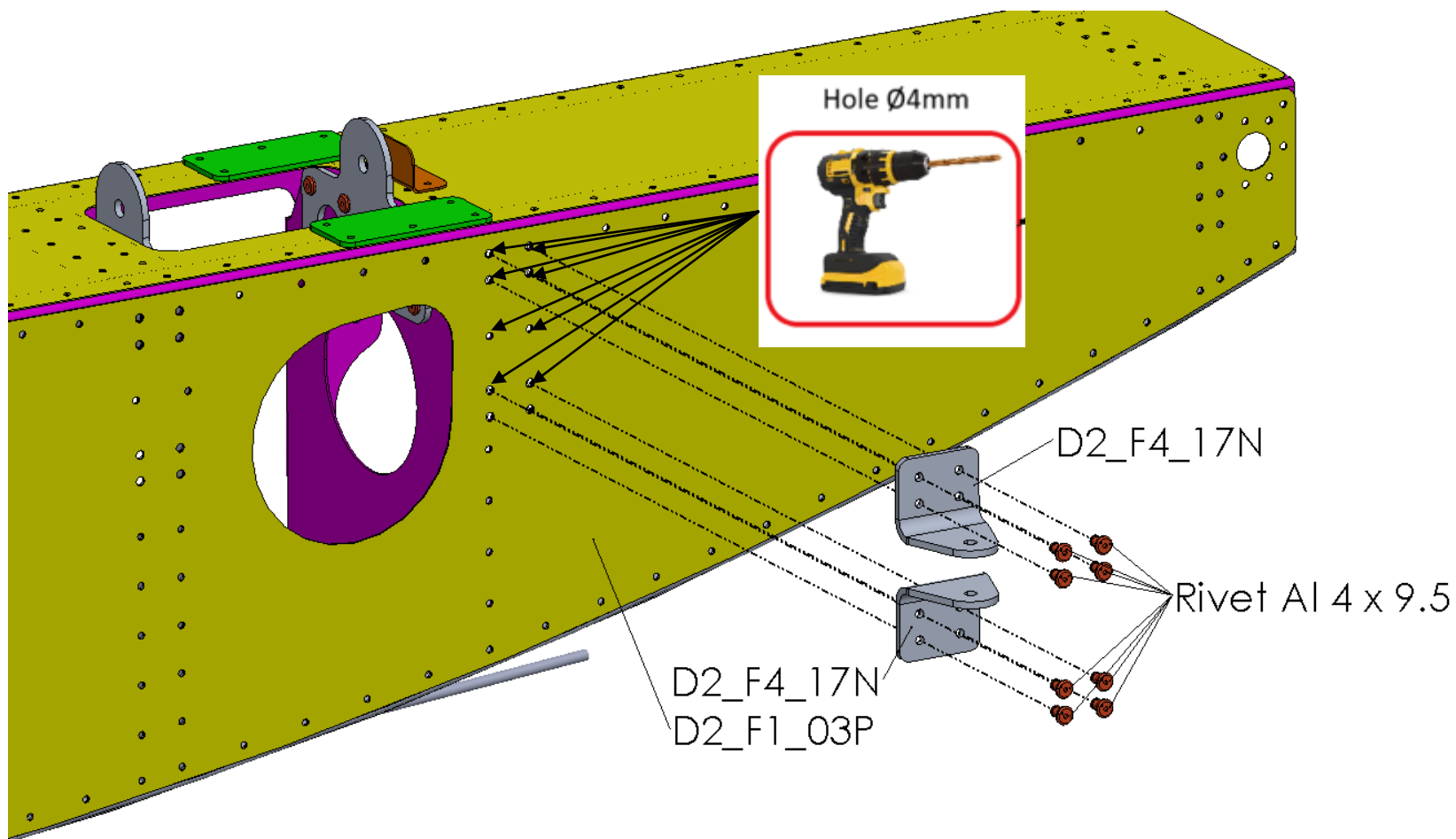
Step 6



Title	Document no.	Revision	Page	Pages
Fuselage assembly manual	D2_F0_00	Rev. 03	275	414



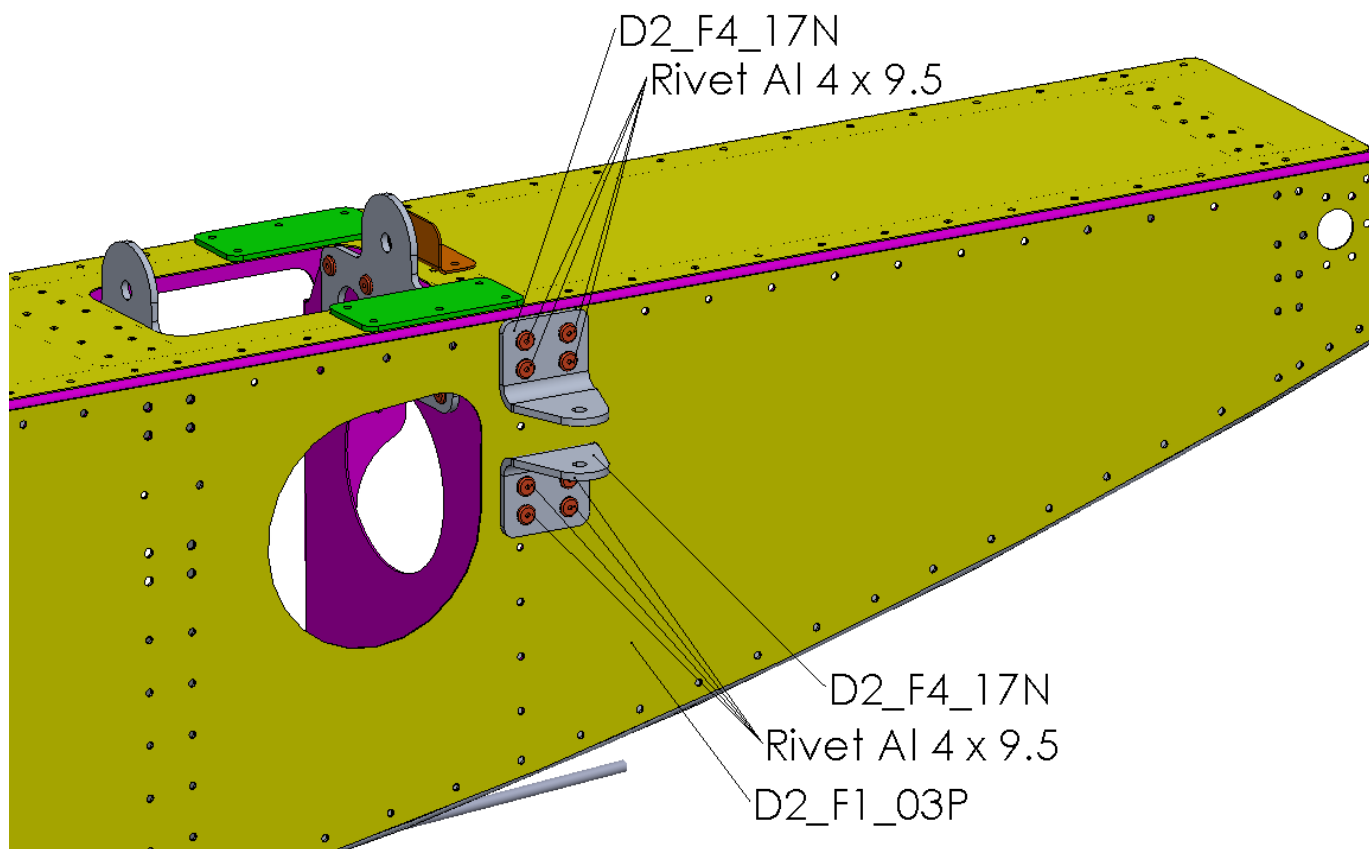
Step 7



Title	Document no.	Revision	Page	Pages
Fuselage assembly manual	D2_F0_00	Rev. 03	276	414



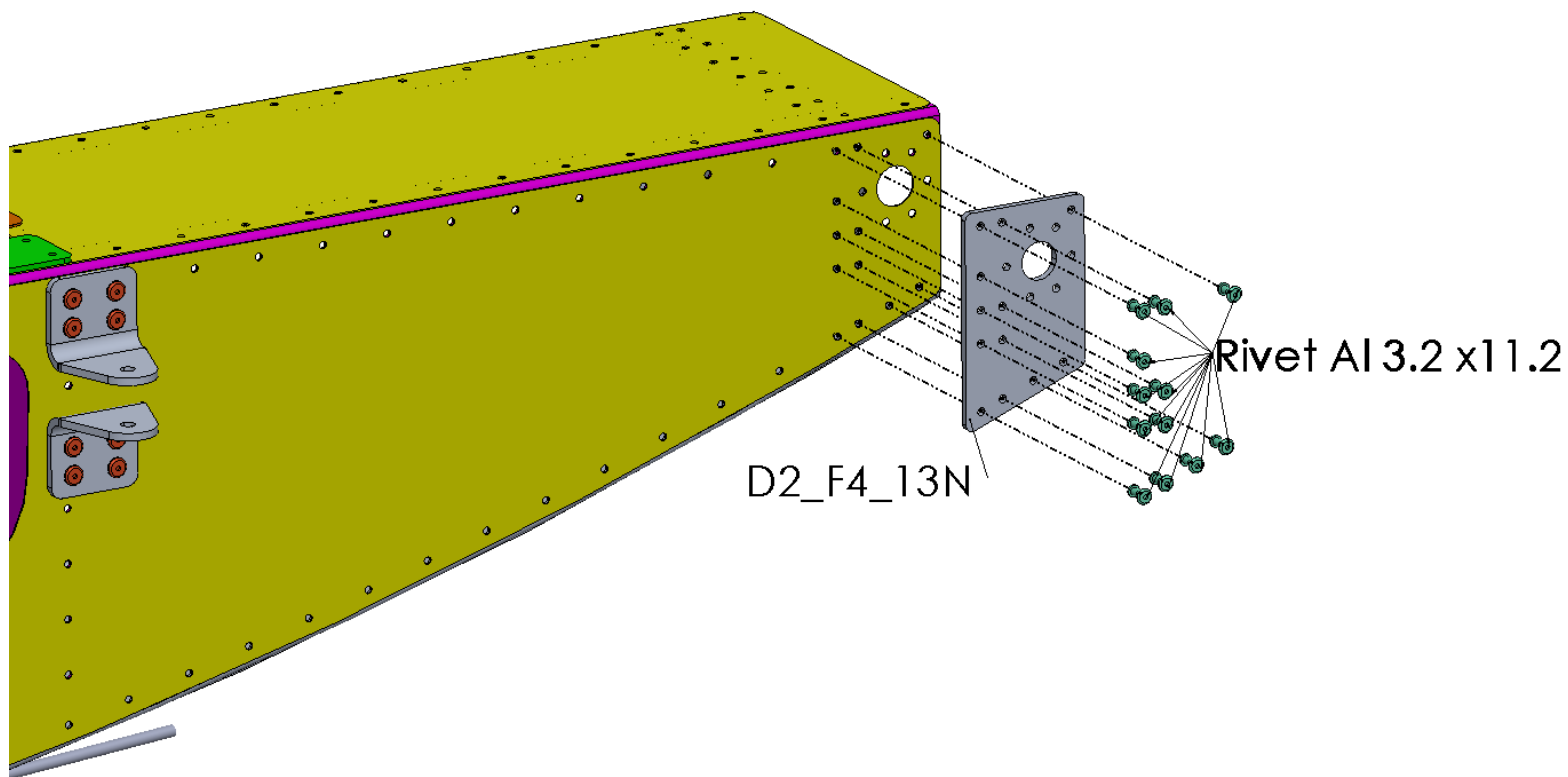
Step 8



Title	Document no.	Revision	Page	Pages
Fuselage assembly manual	D2_F0_00	Rev. 03	277	414



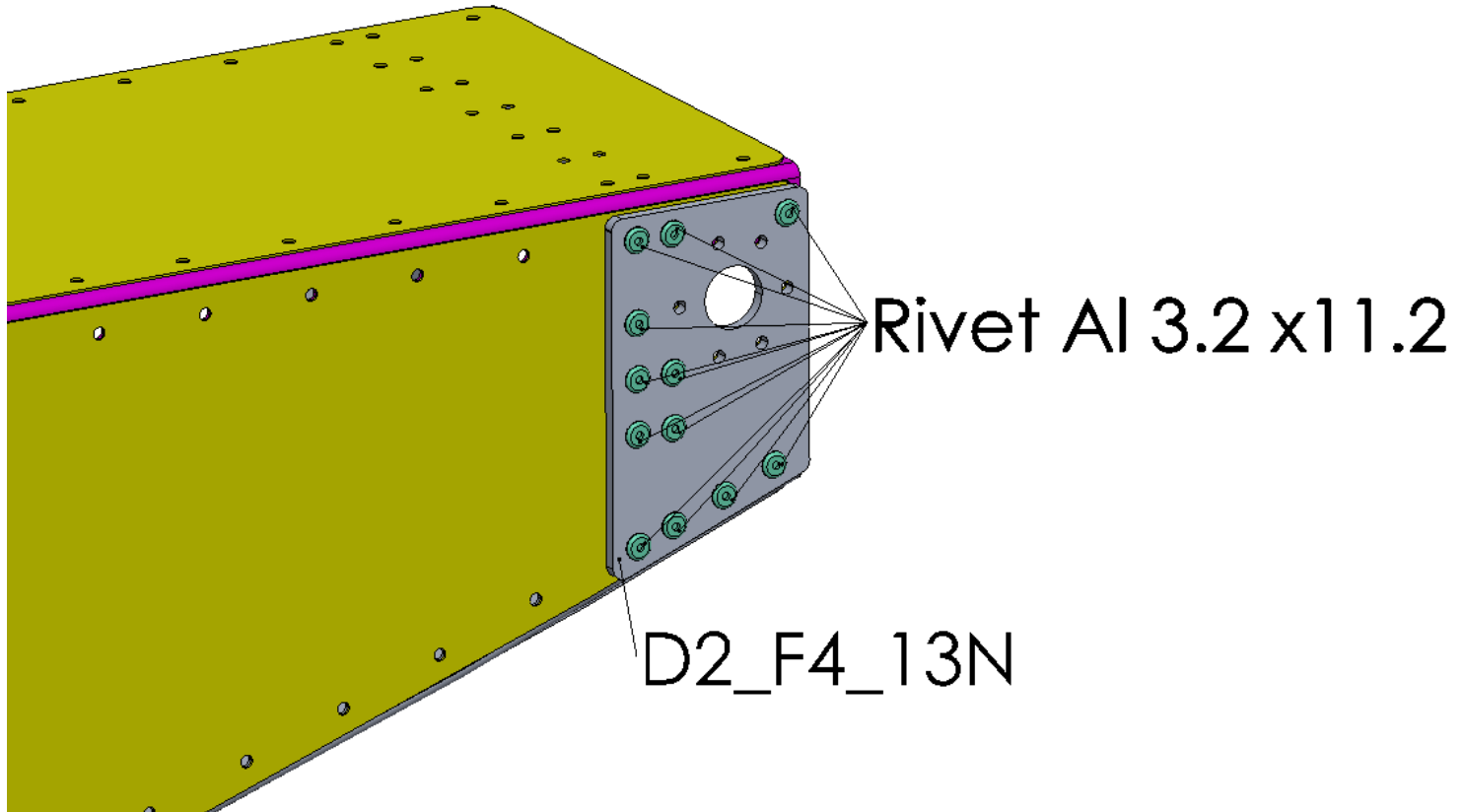
Step 9



Title	Document no.	Revision	Page	Pages
Fuselage assembly manual	D2_F0_00	Rev. 03	278	414



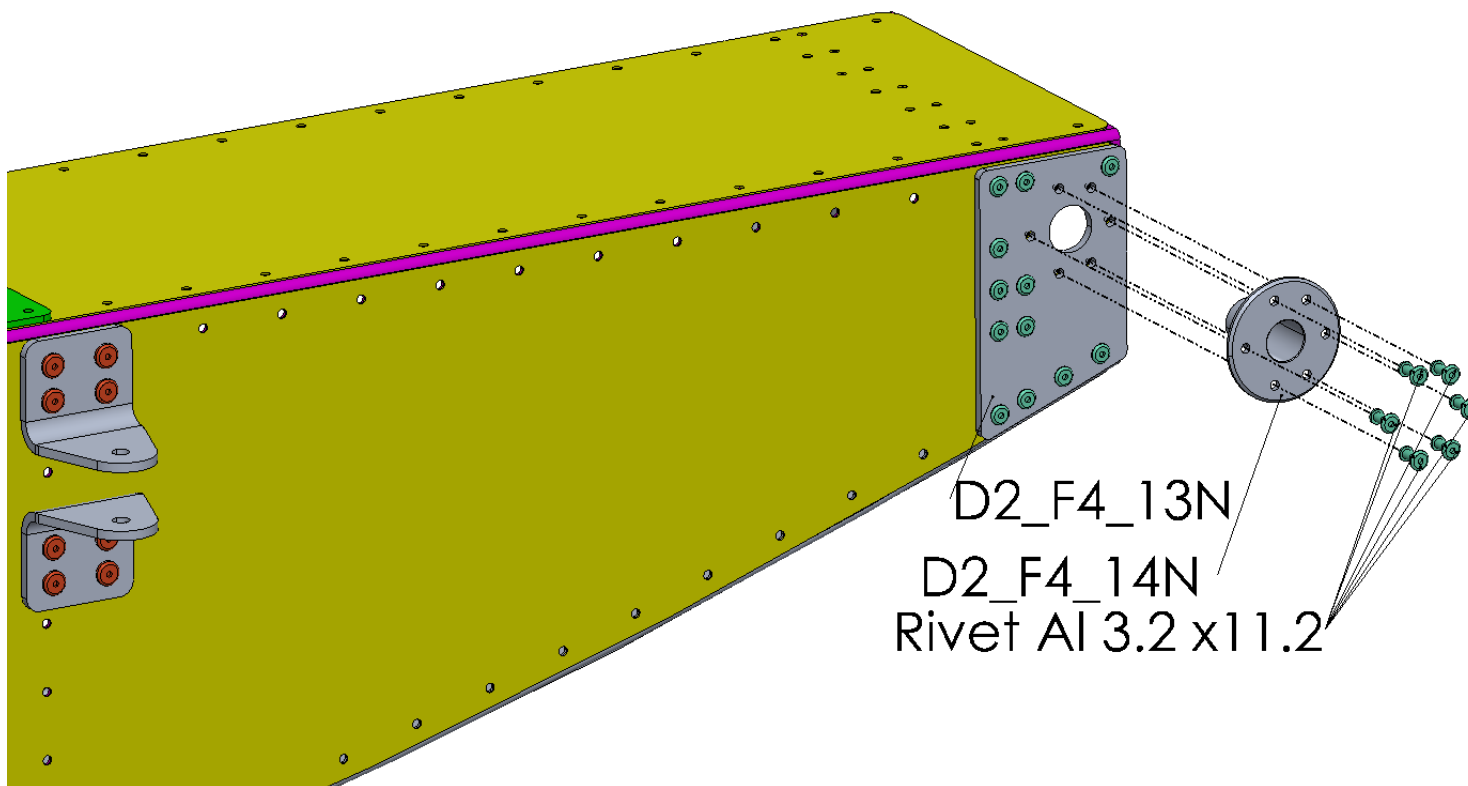
Step 10



Title	Document no.	Revision	Page	Pages
Fuselage assembly manual	D2_F0_00	Rev. 03	279	414



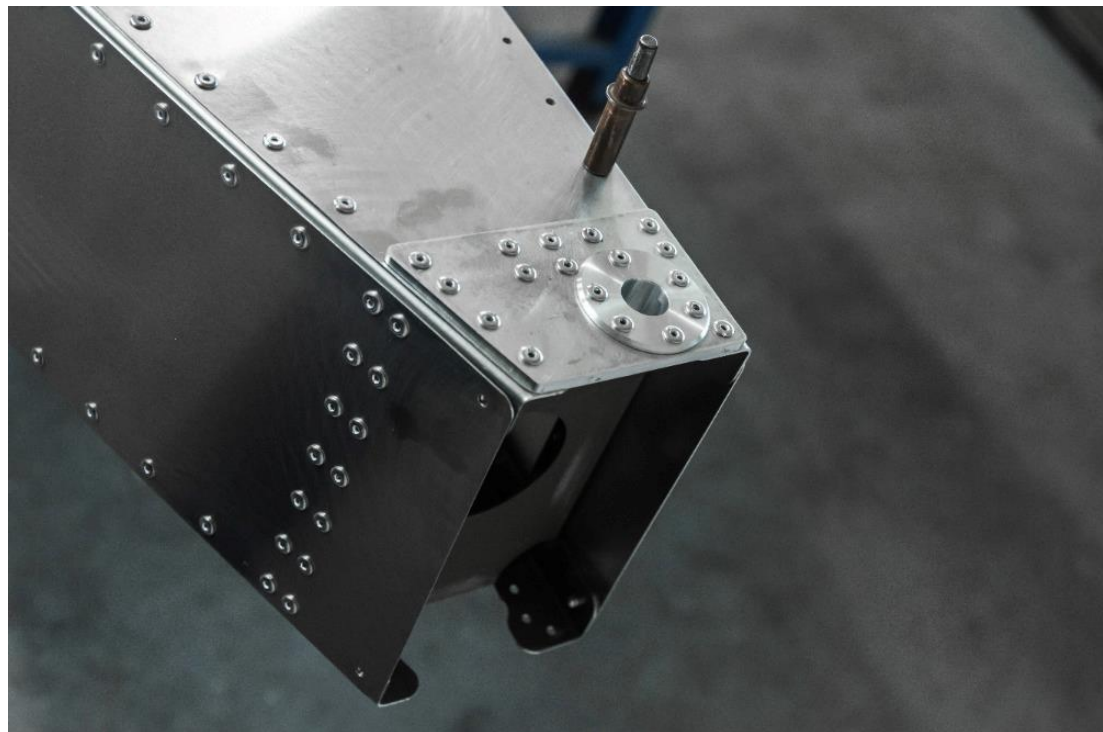
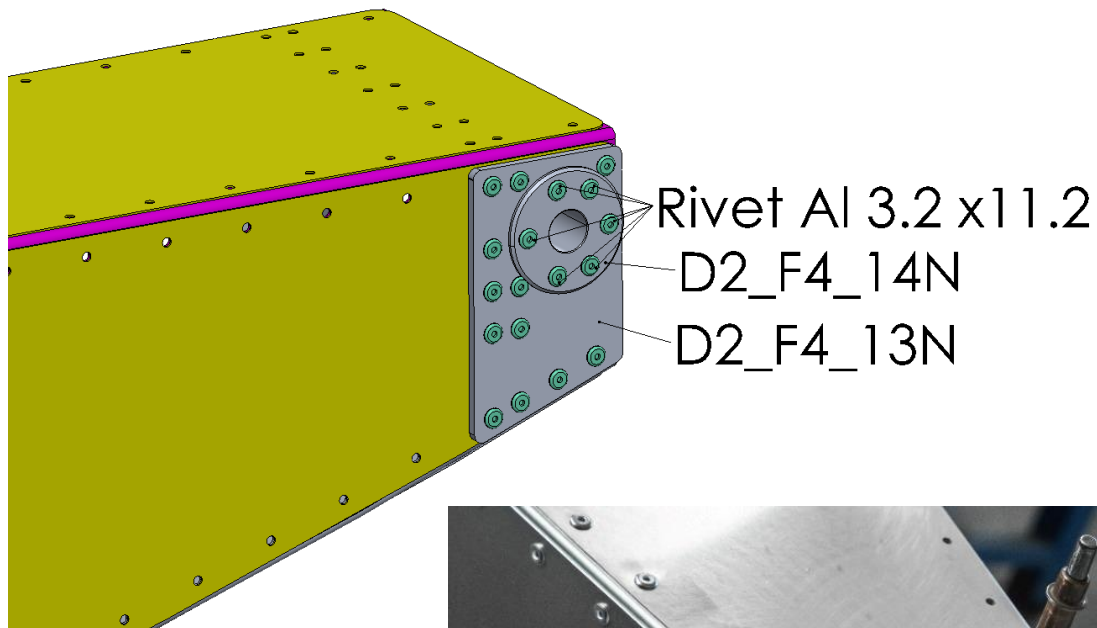
Step 11



Title	Document no.	Revision	Page	Pages
Fuselage assembly manual	D2_F0_00	Rev. 03	280	414



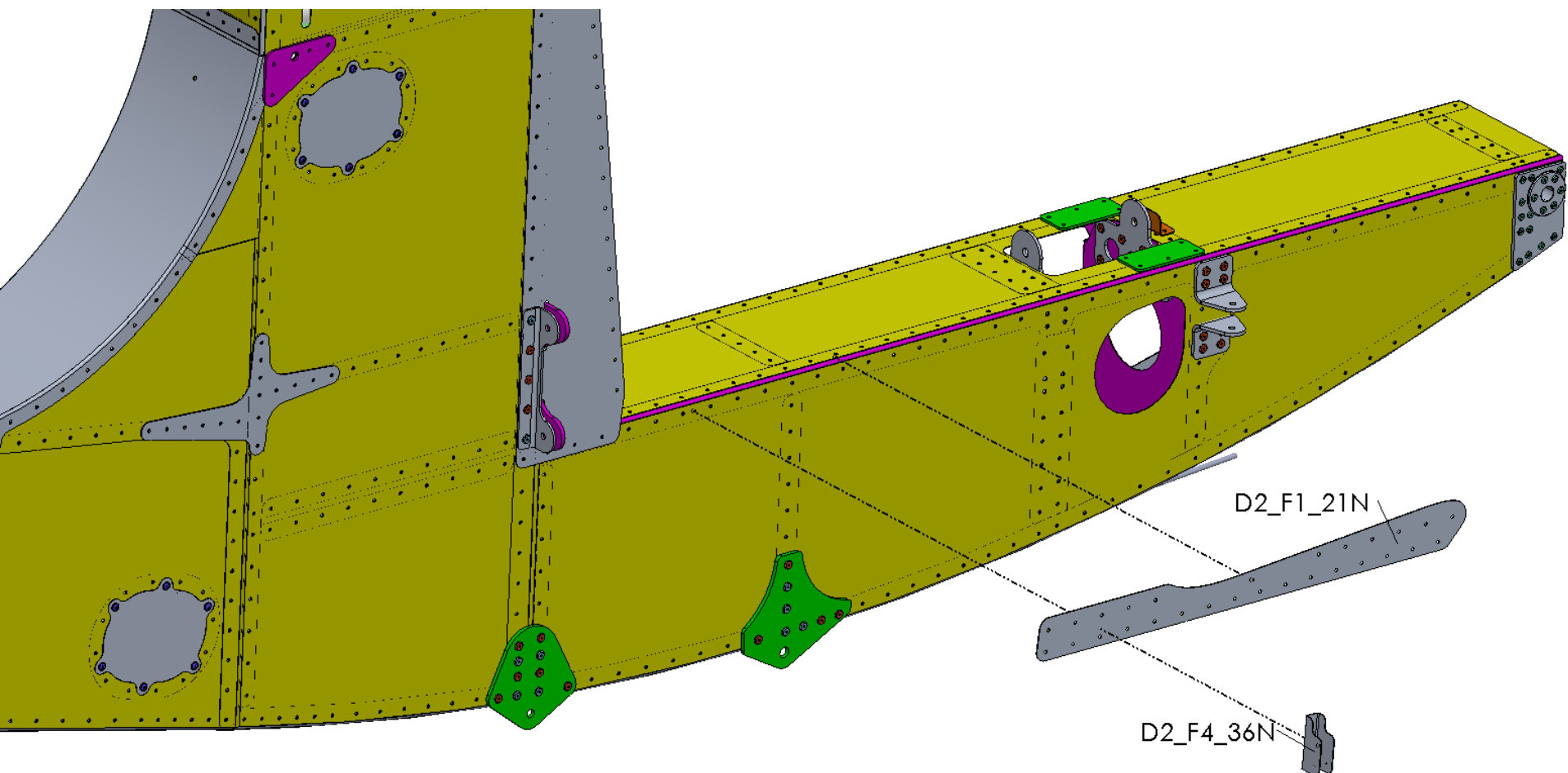
Step 12



Title	Document no.	Revision	Page	Pages
Fuselage assembly manual	D2_F0_00	Rev. 03	281	414



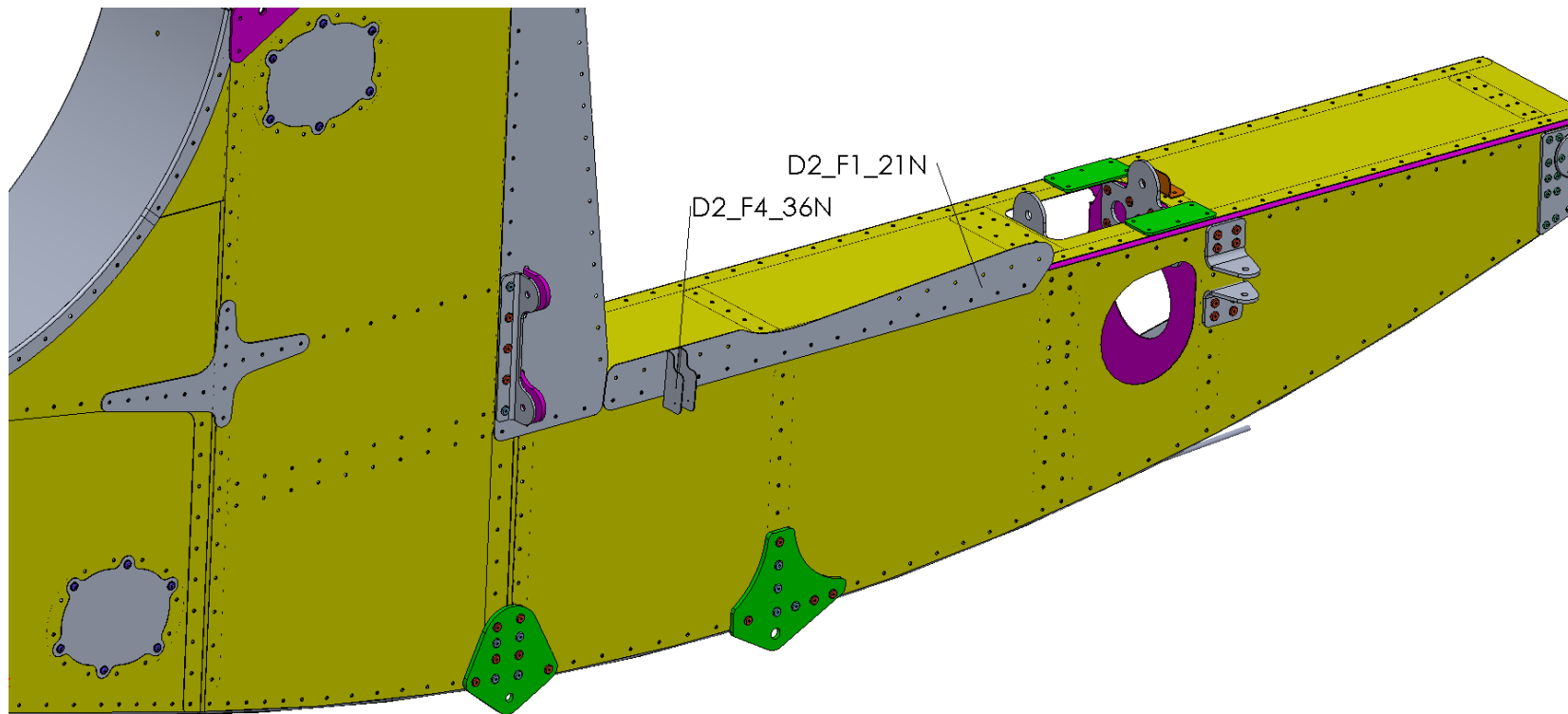
Step 13



Title	Document no.	Revision	Page	Pages
Fuselage assembly manual	D2_F0_00	Rev. 03	282	414



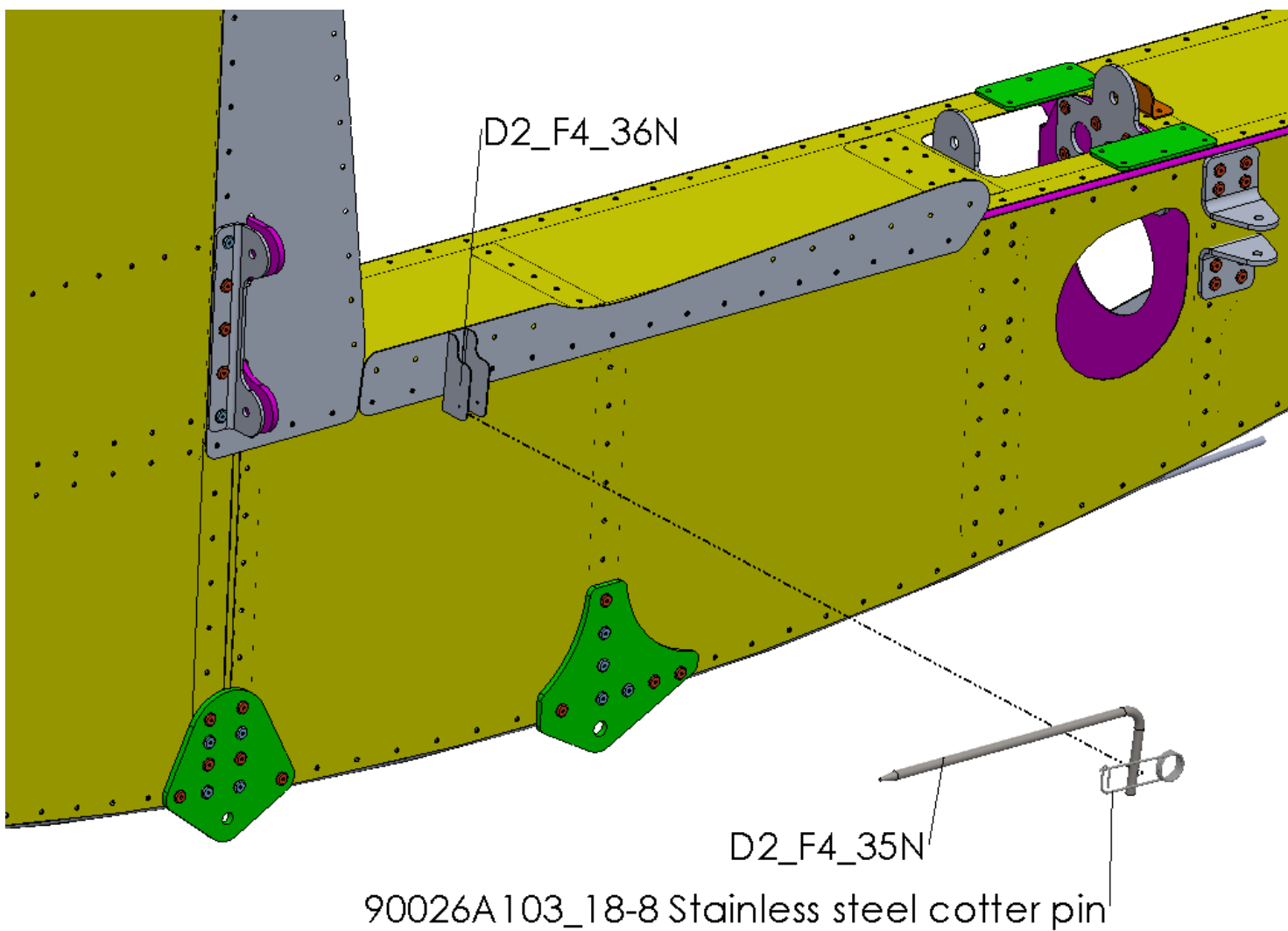
Step 14



Title	Document no.	Revision	Page	Pages
Fuselage assembly manual	D2_F0_00	Rev. 03	283	414



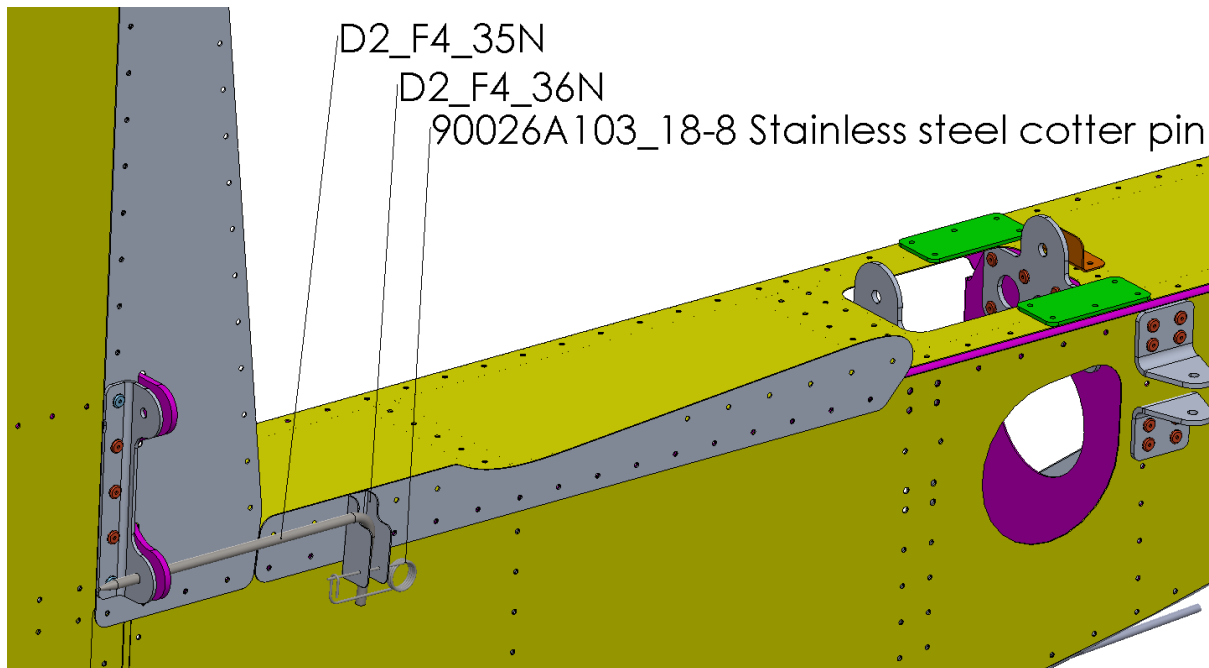
Step 15



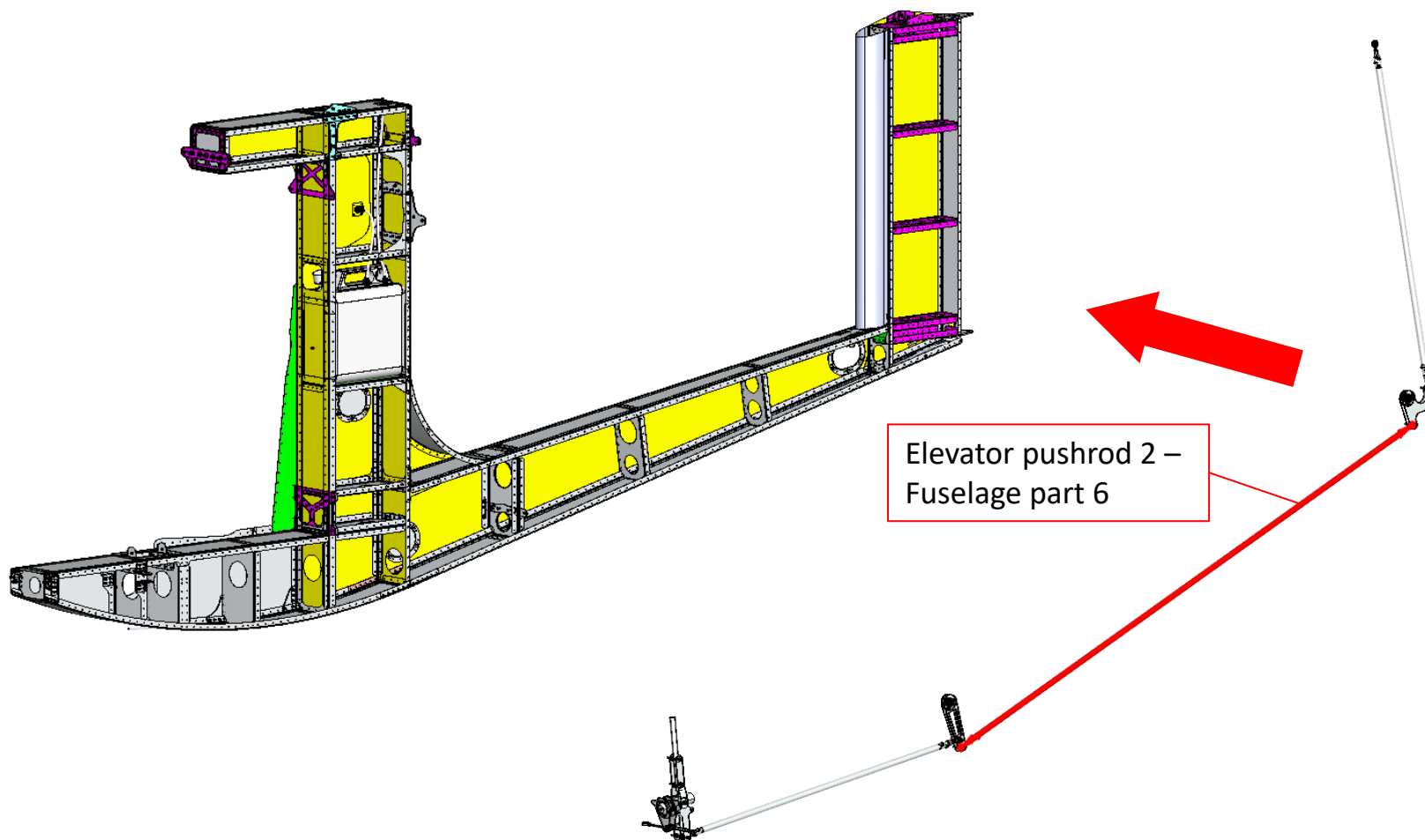
Title	Document no.	Revision	Page	Pages
Fuselage assembly manual	D2_F0_00	Rev. 03	284	414



Step 16



Title	Document no.	Revision	Page	Pages
Fuselage assembly manual	D2_F0_00	Rev. 03	285	414

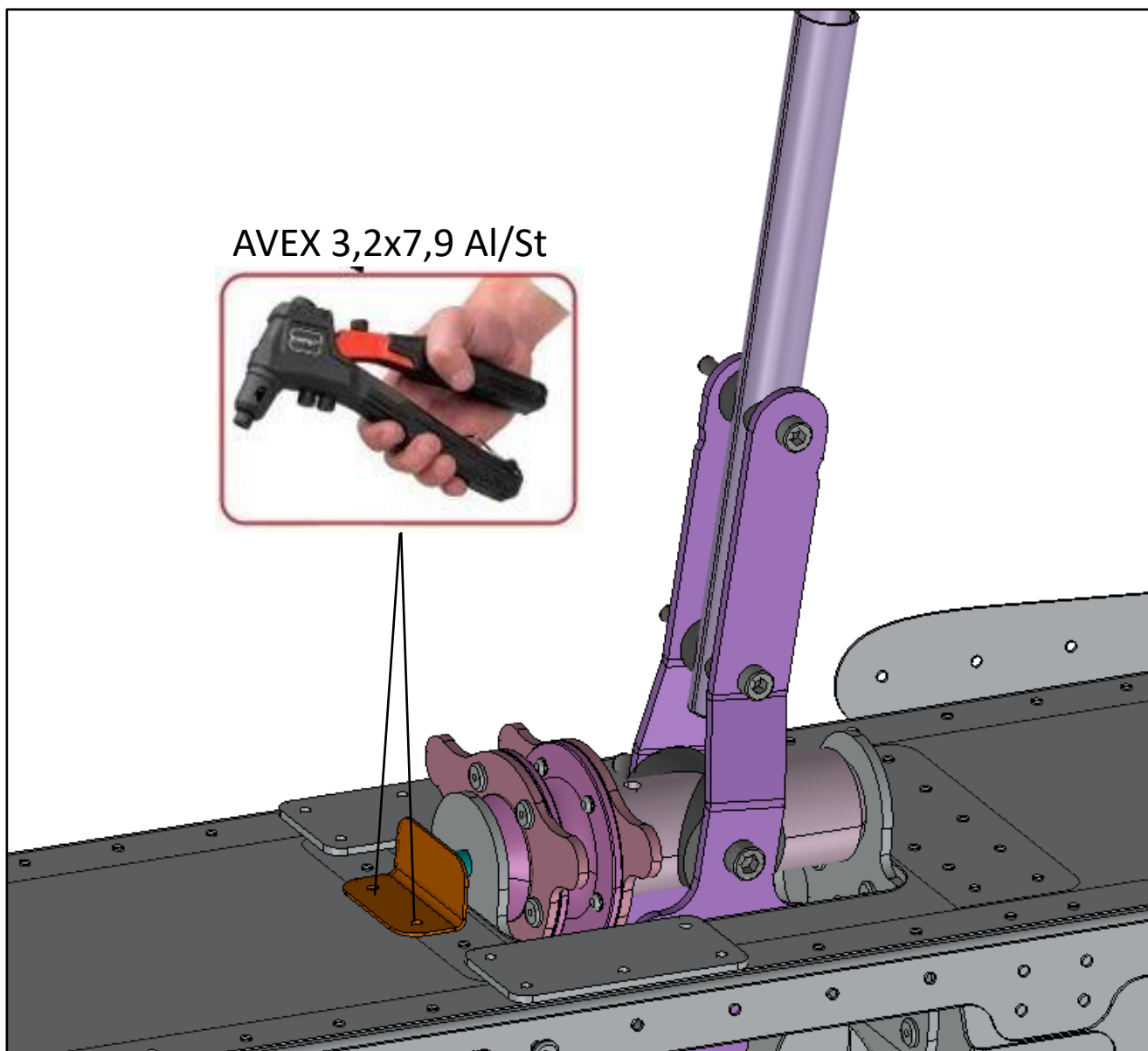


Elevator pushrod 2 –
Fuselage part 6

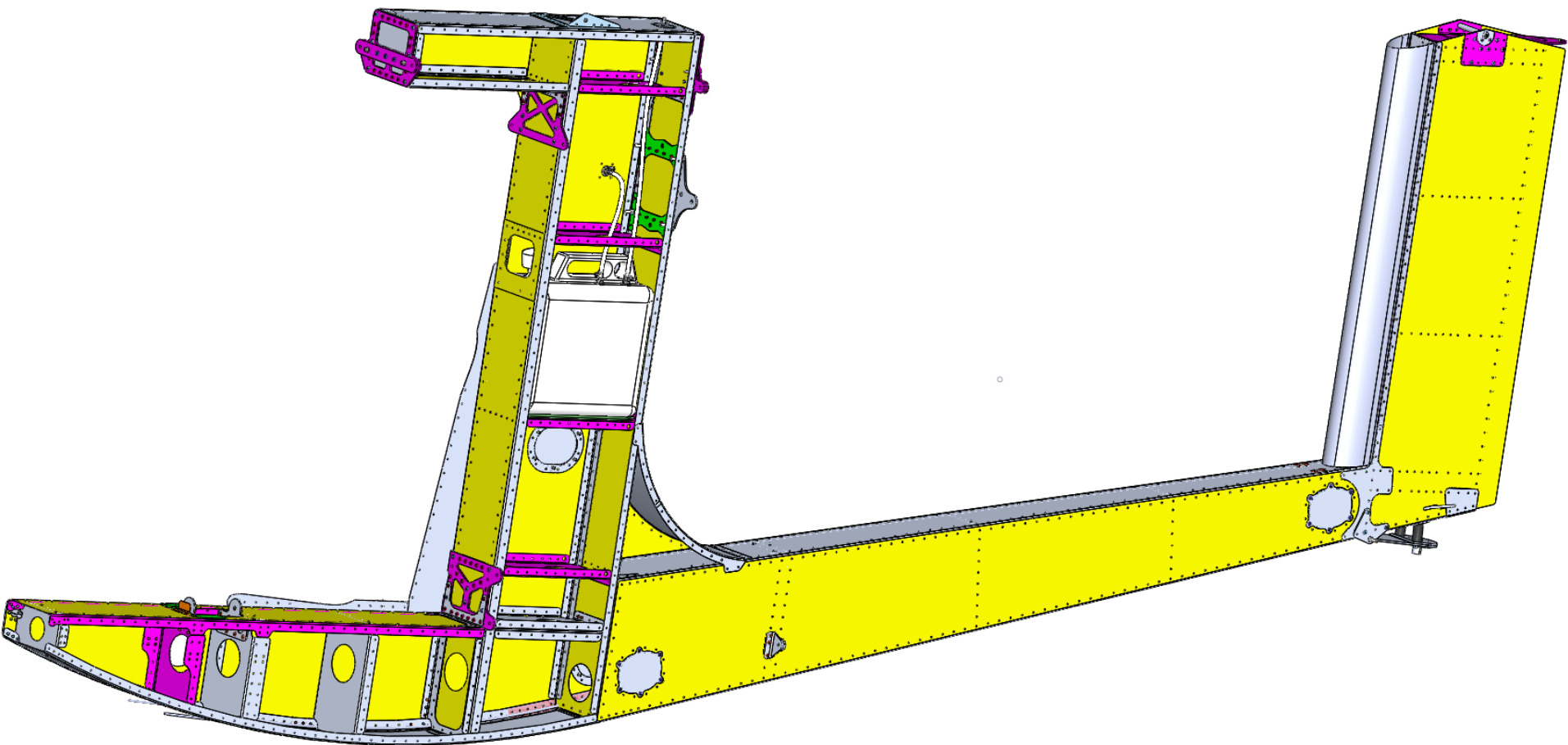


Control system assembly manual D2_R0_00

Title	Document no.	Revision	Page	Pages
Fuselage assembly manual	D2_F0_00	Rev. 03	286	414



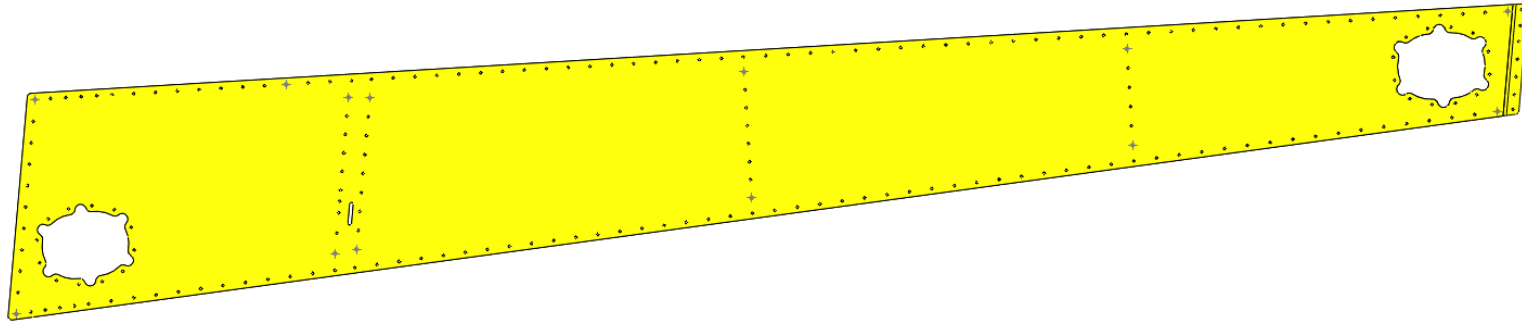
Title	Document no.	Revision	Page	Pages
Fuselage assembly manual	D2_F0_00	Rev. 03	287	414



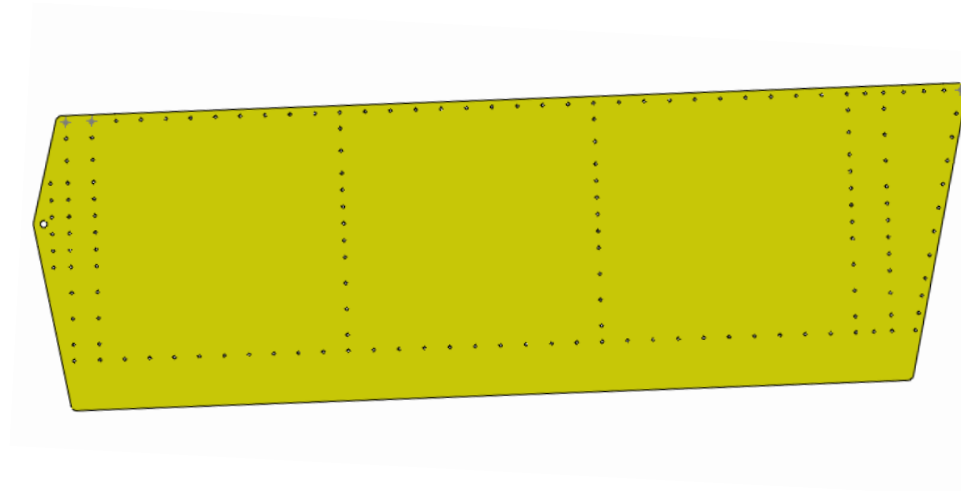
Title	Document no.	Revision	Page	Pages
Fuselage assembly manual	D2_F0_00	Rev. 03	288	414



Detail: D2_F1_02L
Quantity: 1



Detail: D2_F1_05N
Quantity: 1

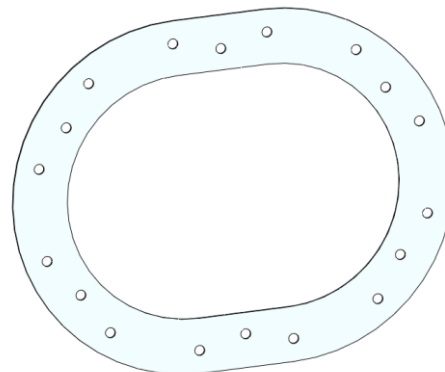


Title	Document no.	Revision	Page	Pages
Fuselage assembly manual	D2_F0_00	Rev. 03	289	414



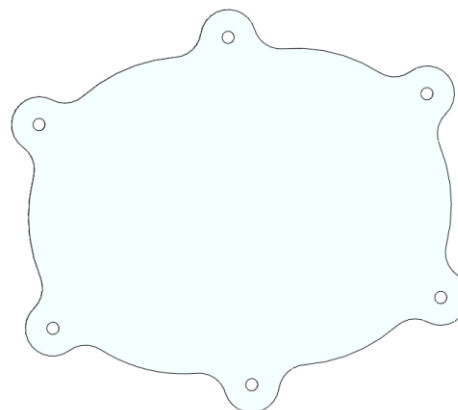
Detail: D2_F1_14N

Quantity: 2



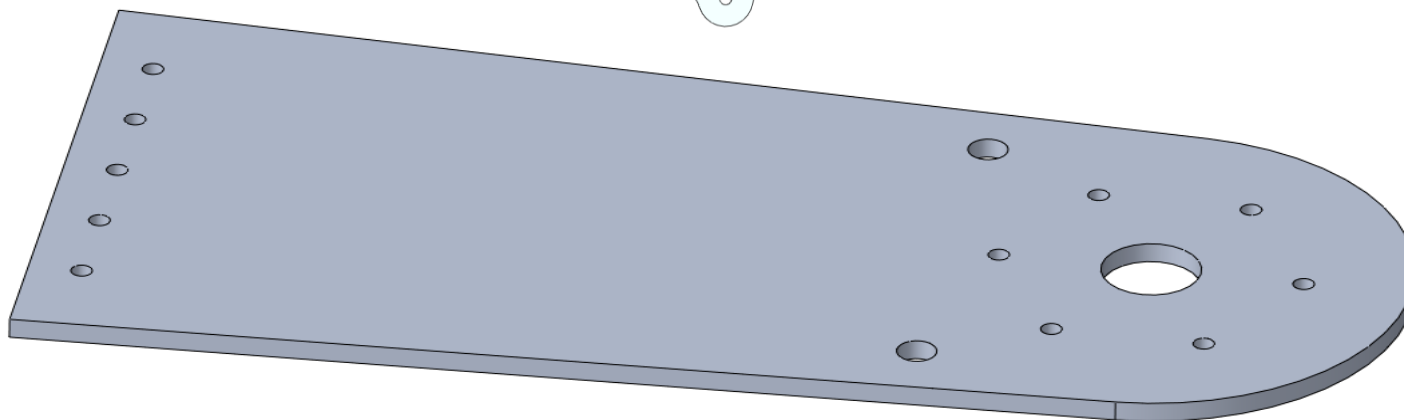
Detail: D2_F1_15N

Quantity: 2



Detail: D2_F1_23N

Quantity: 1

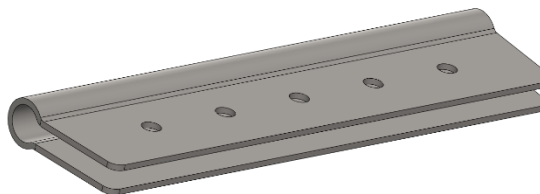


Title	Document no.	Revision	Page	Pages
Fuselage assembly manual	D2_F0_00	Rev. 03	290	414



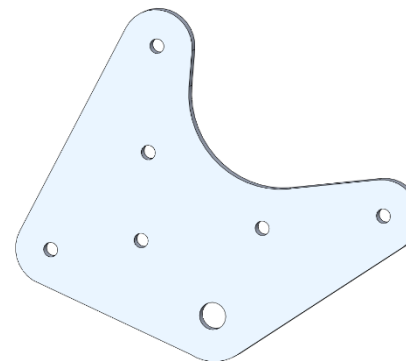
Detail: D2_F1_25N

Quantity: 1



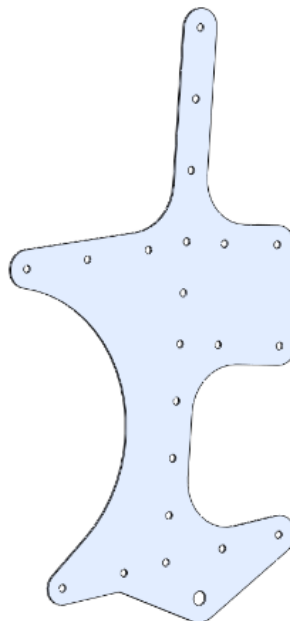
Detail: D2_F1_26N

Quantity: 1



Detail: D2_F1_27N

Quantity: 1

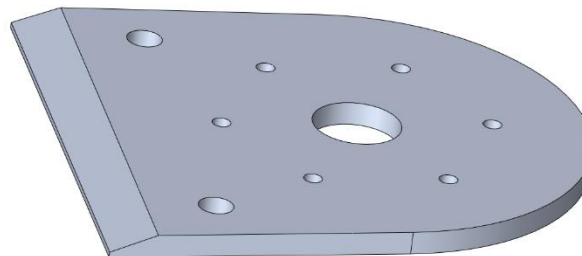


Title	Document no.	Revision	Page	Pages
Fuselage assembly manual	D2_F0_00	Rev. 03	291	414



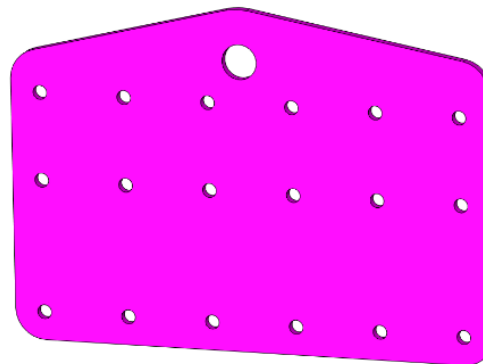
Detail: D2_F1_33N

Quantity: 1



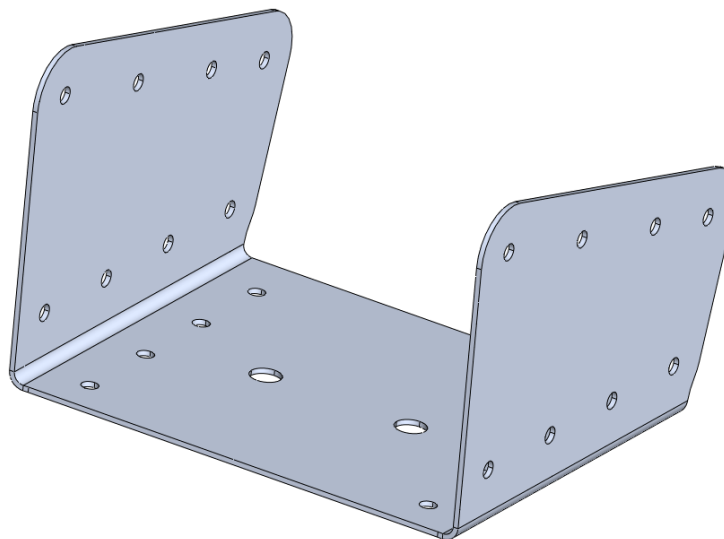
Detail: D2_F4_08N

Quantity: 1



Detail: D2_F4_10N

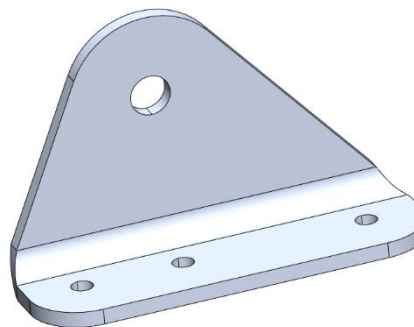
Quantity: 1



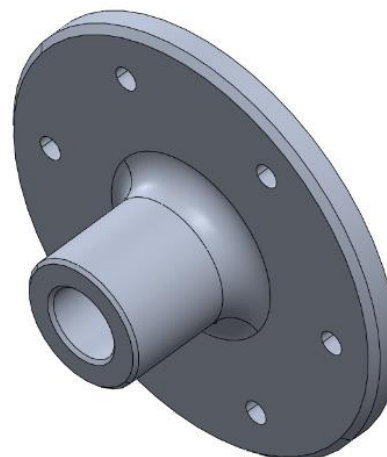
Title	Document no.	Revision	Page	Pages
Fuselage assembly manual	D2_F0_00	Rev. 03	292	414



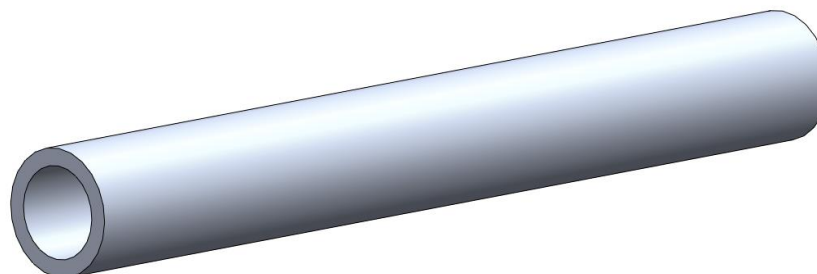
Detail: D2_F4_20L
Quantity: 1



Detail: D2_F4_21N
Quantity: 1



Detail: D2_F4_34N
Quantity: 1

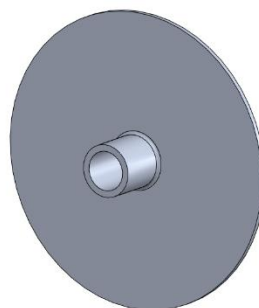


Title	Document no.	Revision	Page	Pages
Fuselage assembly manual	D2_F0_00	Rev. 03	293	414



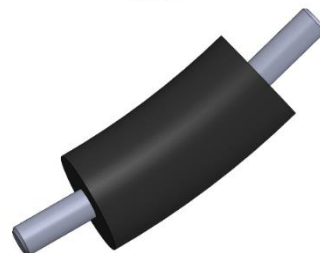
Detail: D2_F4_37N

Quantity: 2



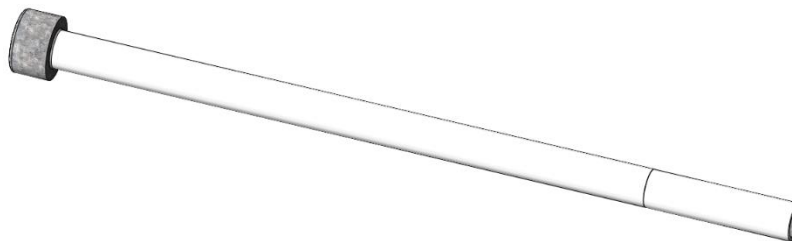
Detail: Silentblock M6 40b

Quantity: 2



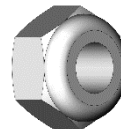
Detail: Bolt DIN 912 M6x120 D96

Quantity: 1



Detail: DIN 985 M6 Nylock Nut

Quantity: 5



Detail: DIN 125 Washer M6

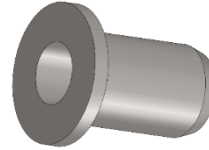
Quantity: 2



Title	Document no.	Revision	Page	Pages
Fuselage assembly manual	D2_F0_00	Rev. 03	294	414



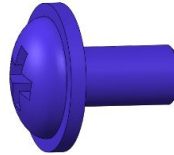
Detail: RivNut M4 A2-304
Quantity: 1



Detail: RivNut M3 cs
Quantity: 12



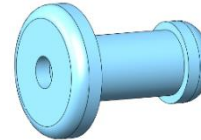
Detail: BOLT DIN 967 M3x6
Quantity: 12



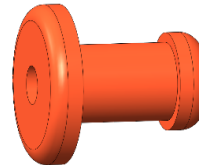
Detail: Rivet INOX 4 x10
Quantity: 2



Detail: Rivet INOX 4 x12
Quantity: 12



Detail: Rivet Al 4 x 9.5
Quantity: 3



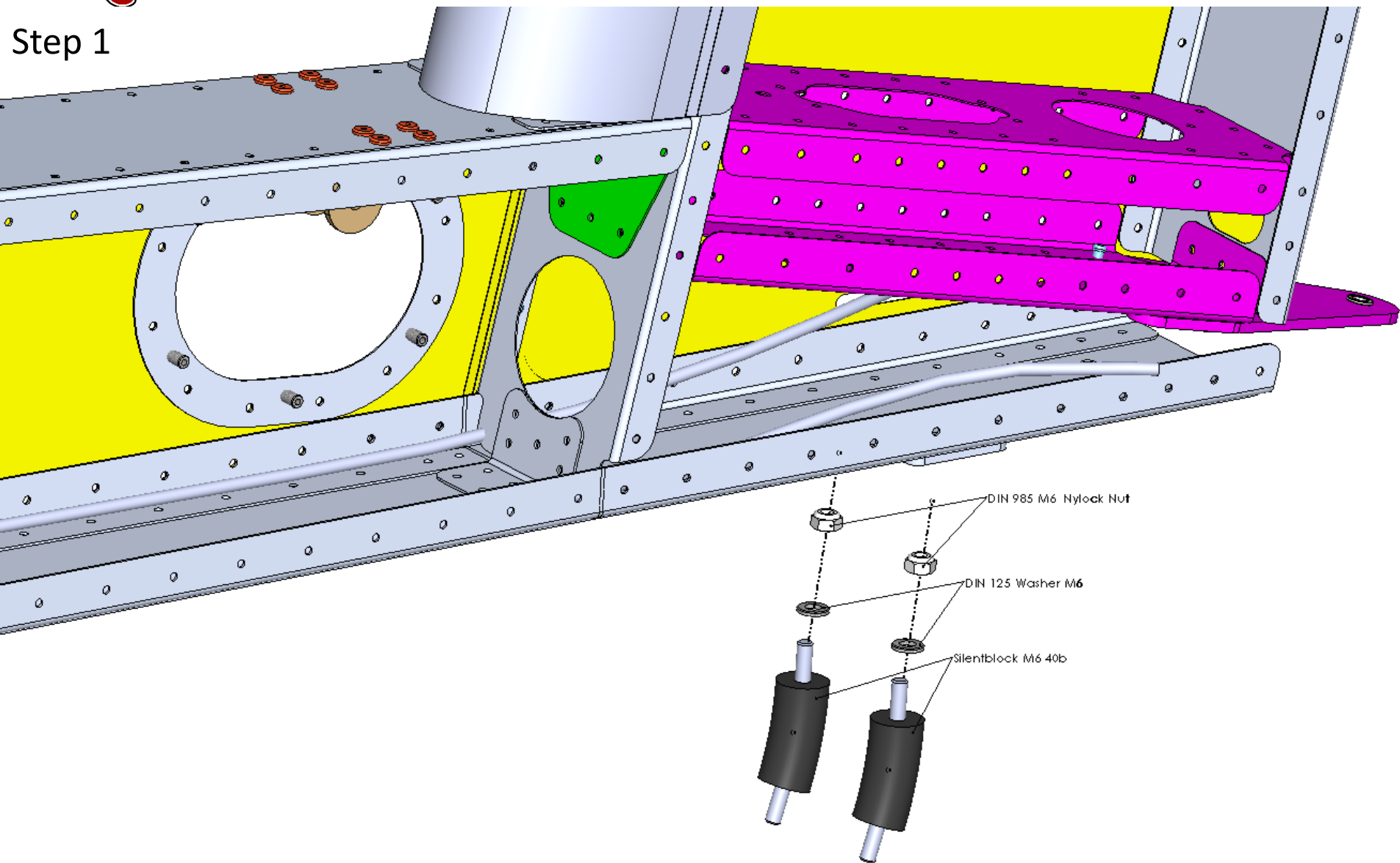
Detail: Rivet INOX FTR 4,9 x 20
Quantity: 5



Title	Document no.	Revision	Page	Pages
Fuselage assembly manual	D2_F0_00	Rev. 03	295	414



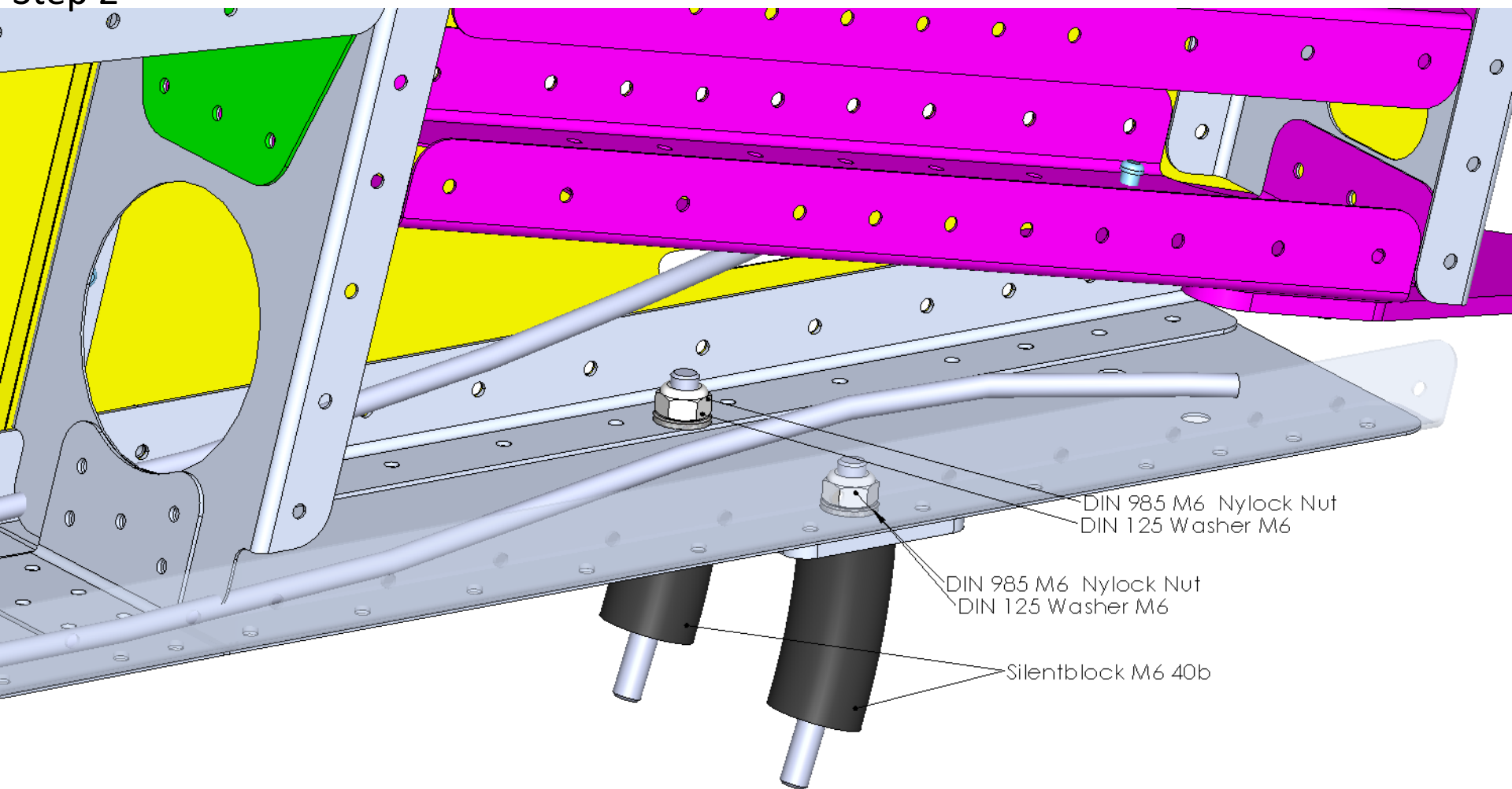
Step 1



Title	Document no.	Revision	Page	Pages
Fuselage assembly manual	D2_F0_00	Rev. 03	296	414



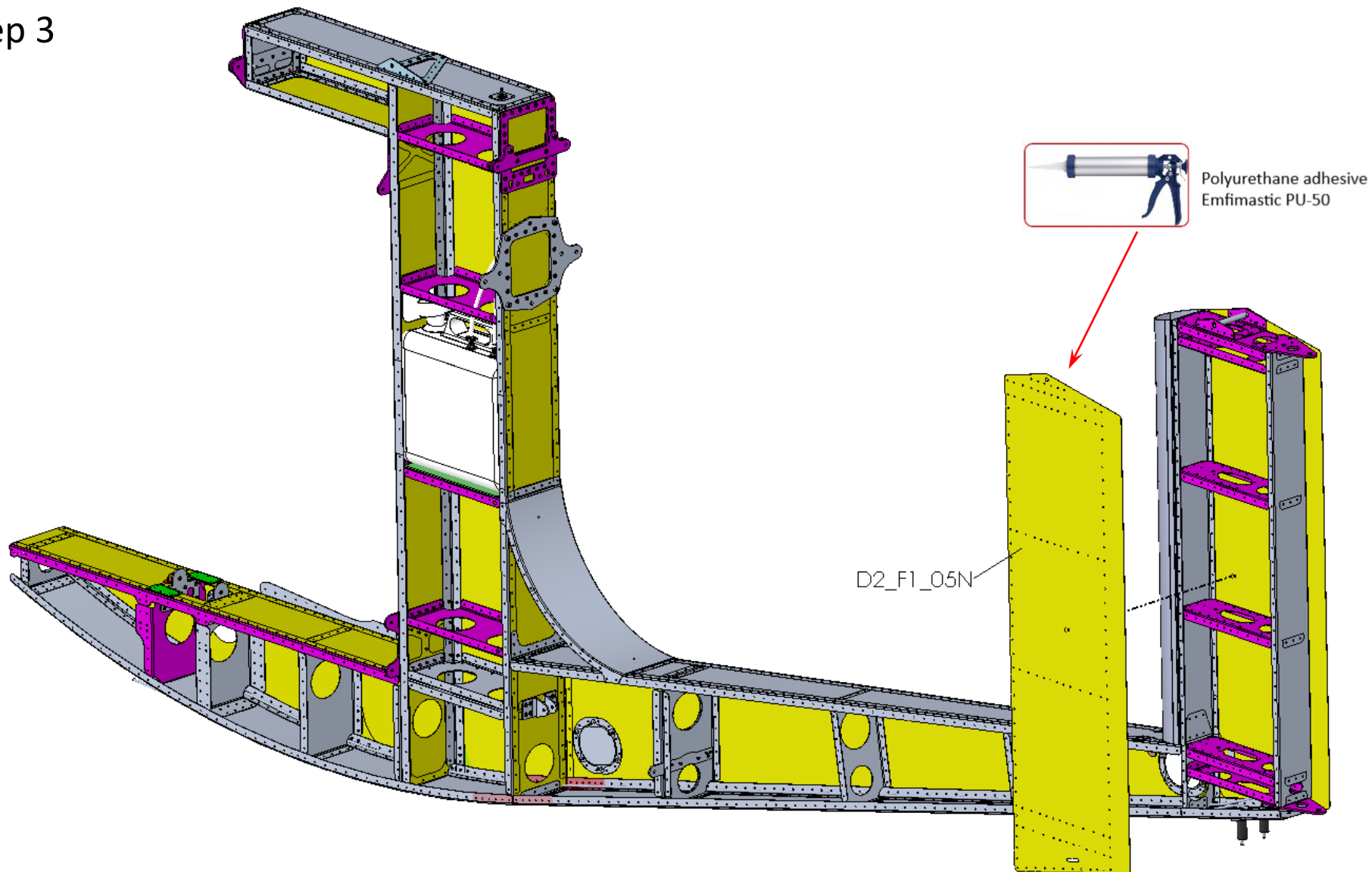
Step 2



Title	Document no.	Revision	Page	Pages
Fuselage assembly manual	D2_F0_00	Rev. 03	297	414



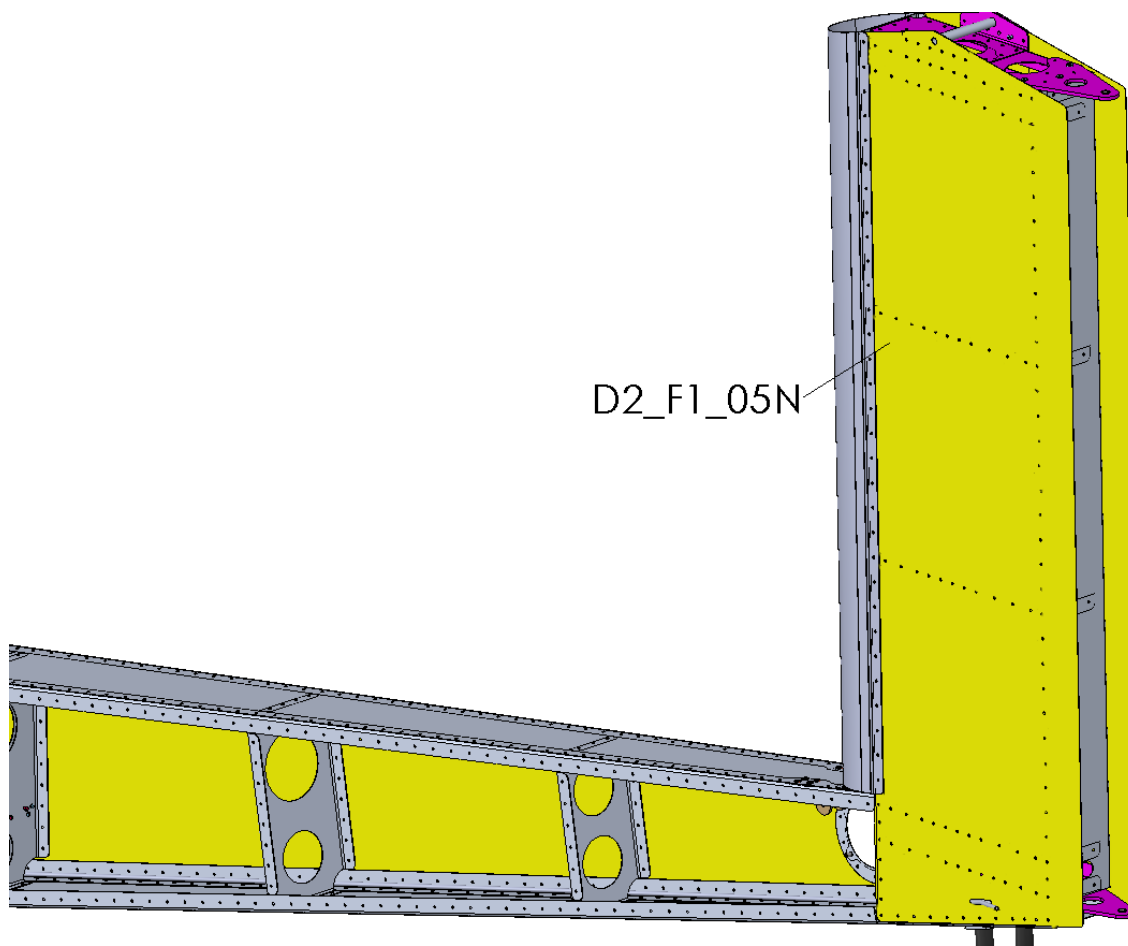
Step 3



Title	Document no.	Revision	Page	Pages
Fuselage assembly manual	D2_F0_00	Rev. 03	298	414



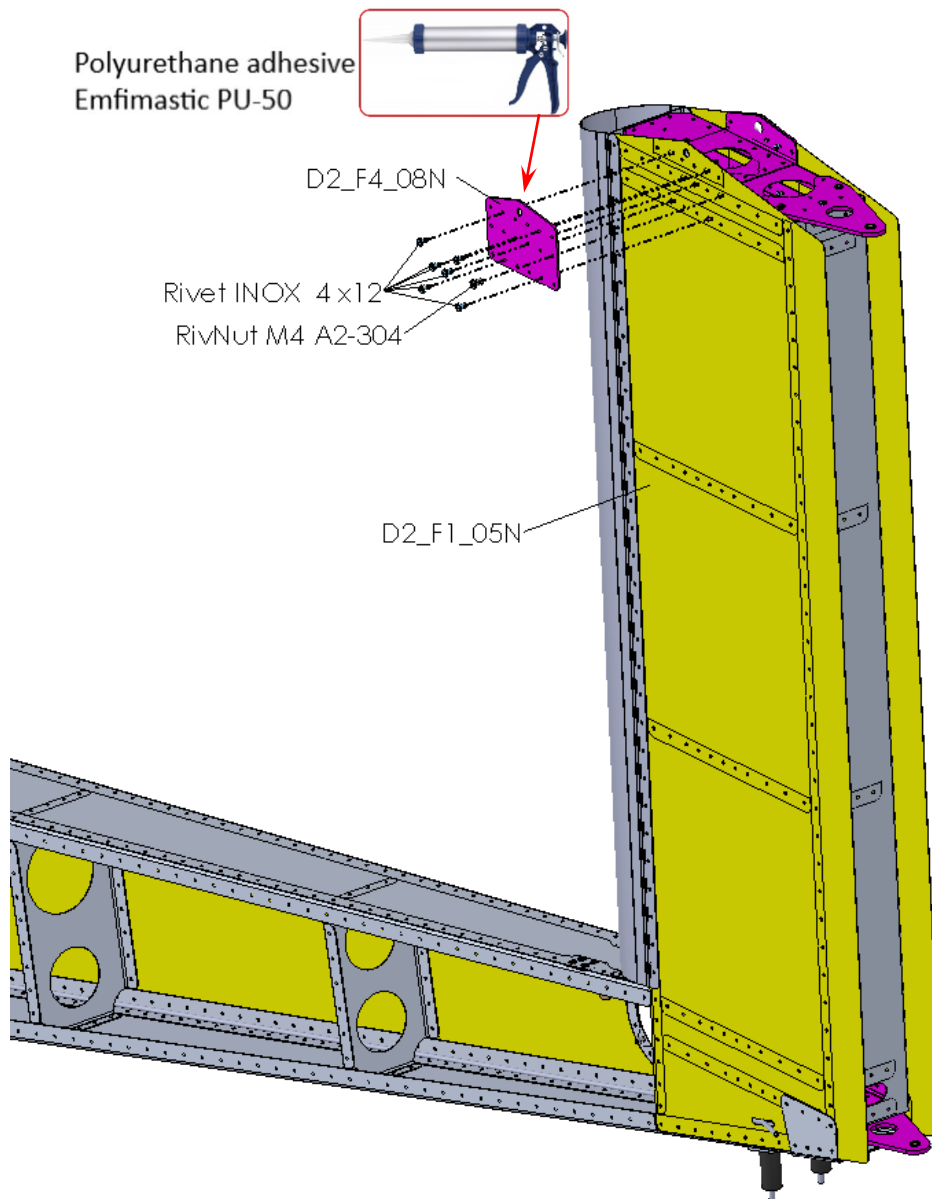
Step 4



Title	Document no.	Revision	Page	Pages
Fuselage assembly manual	D2_F0_00	Rev. 03	299	414



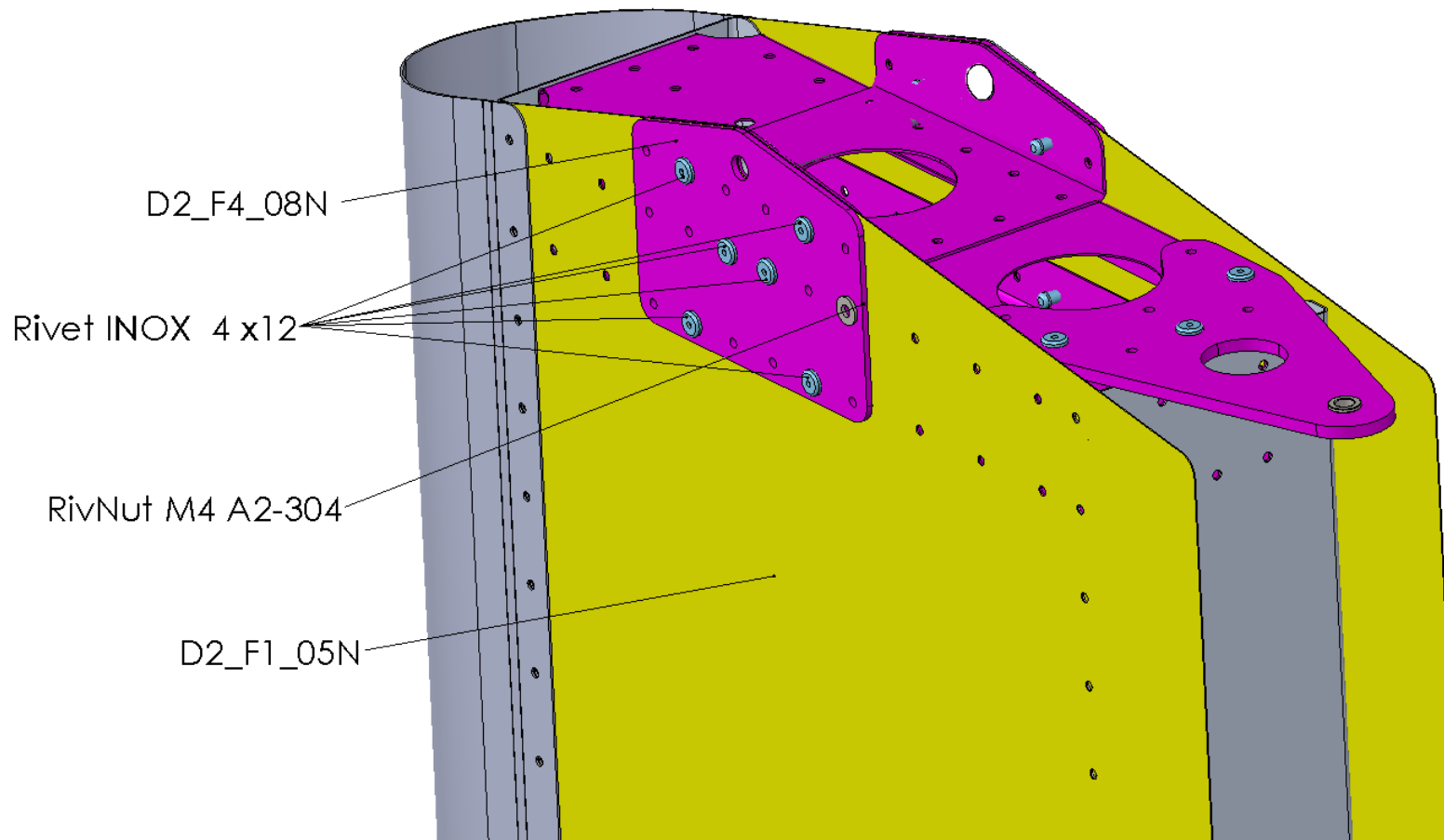
Step 5



Title	Document no.	Revision	Page	Pages
Fuselage assembly manual	D2_F0_00	Rev. 03	300	414



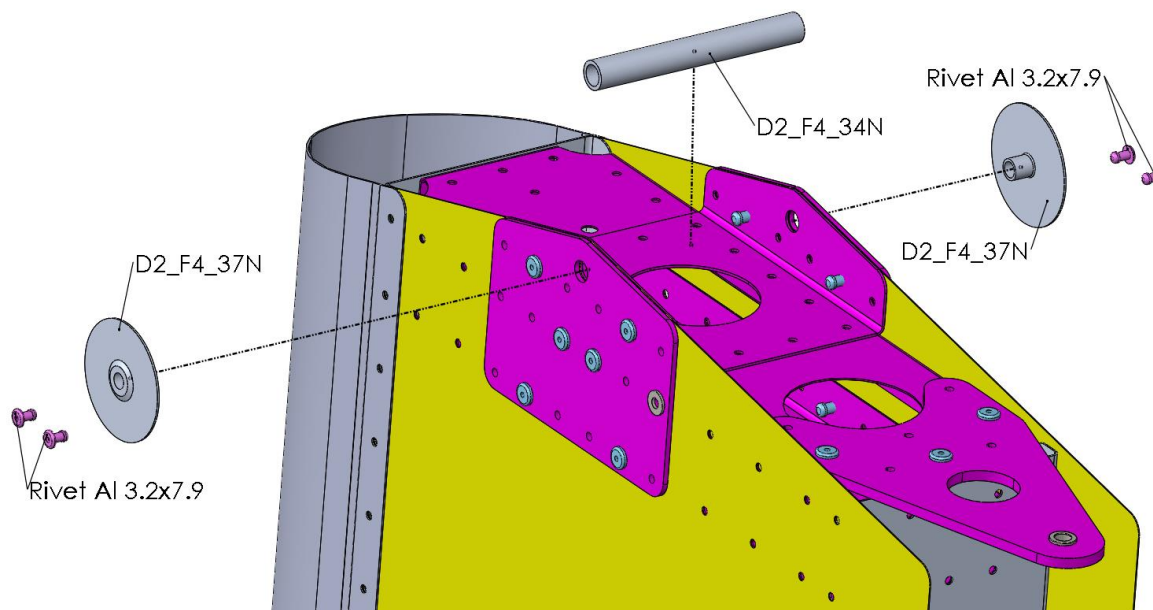
Step 6



Title	Document no.	Revision	Page	Pages
Fuselage assembly manual	D2_F0_00	Rev. 03	301	414



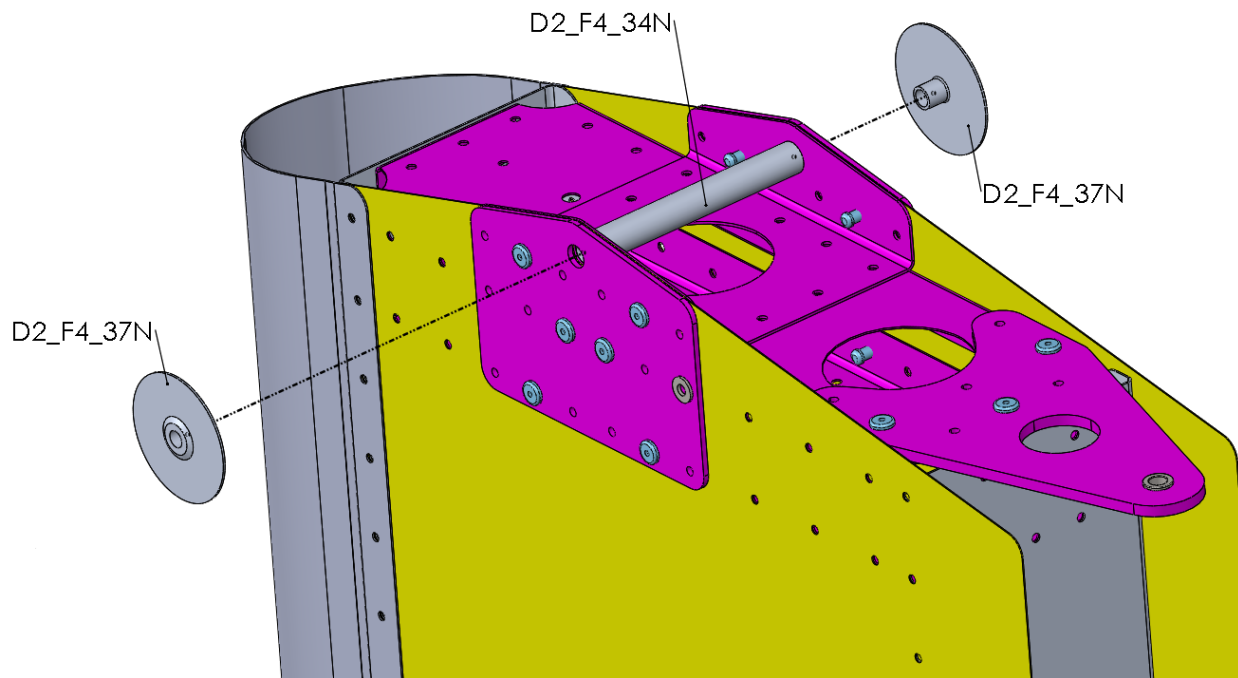
Step 7



Title	Document no.	Revision	Page	Pages
Fuselage assembly manual	D2_F0_00	Rev. 03	302	414



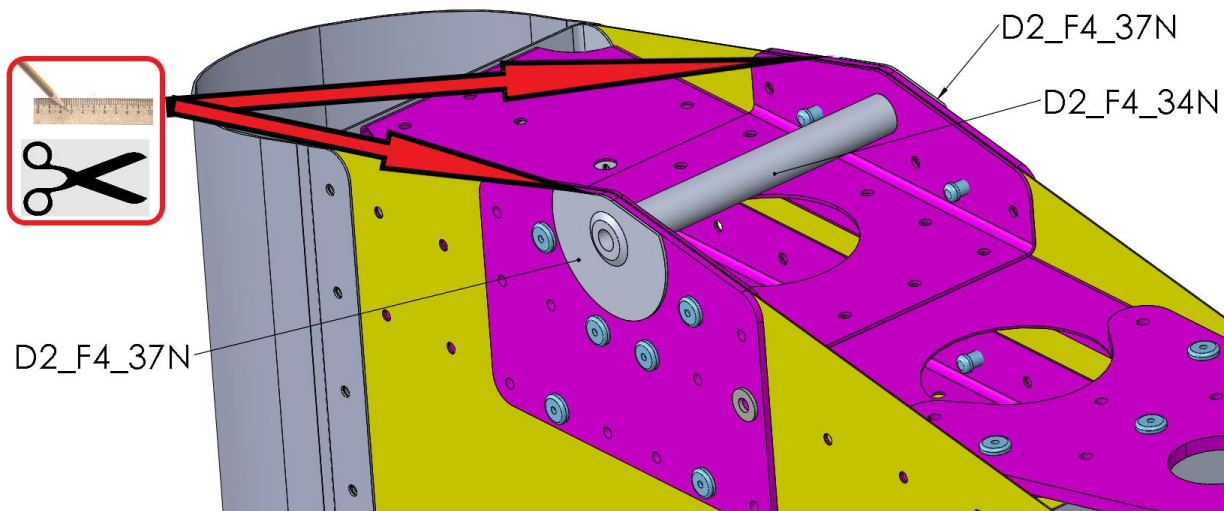
Step 8



Title	Document no.	Revision	Page	Pages
Fuselage assembly manual	D2_F0_00	Rev. 03	303	414



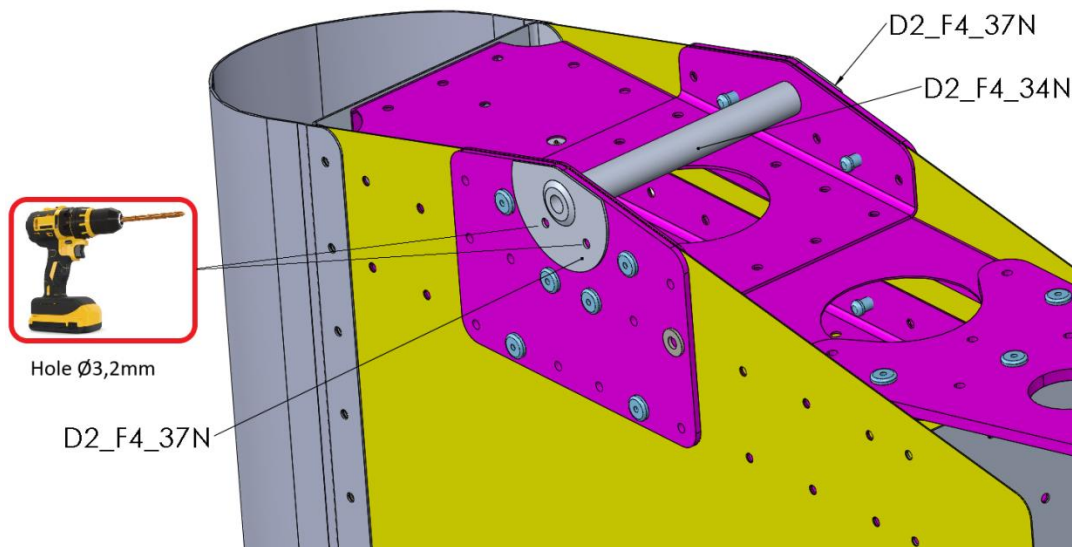
Step 9



Title	Document no.	Revision	Page	Pages
Fuselage assembly manual	D2_F0_00	Rev. 03	304	414



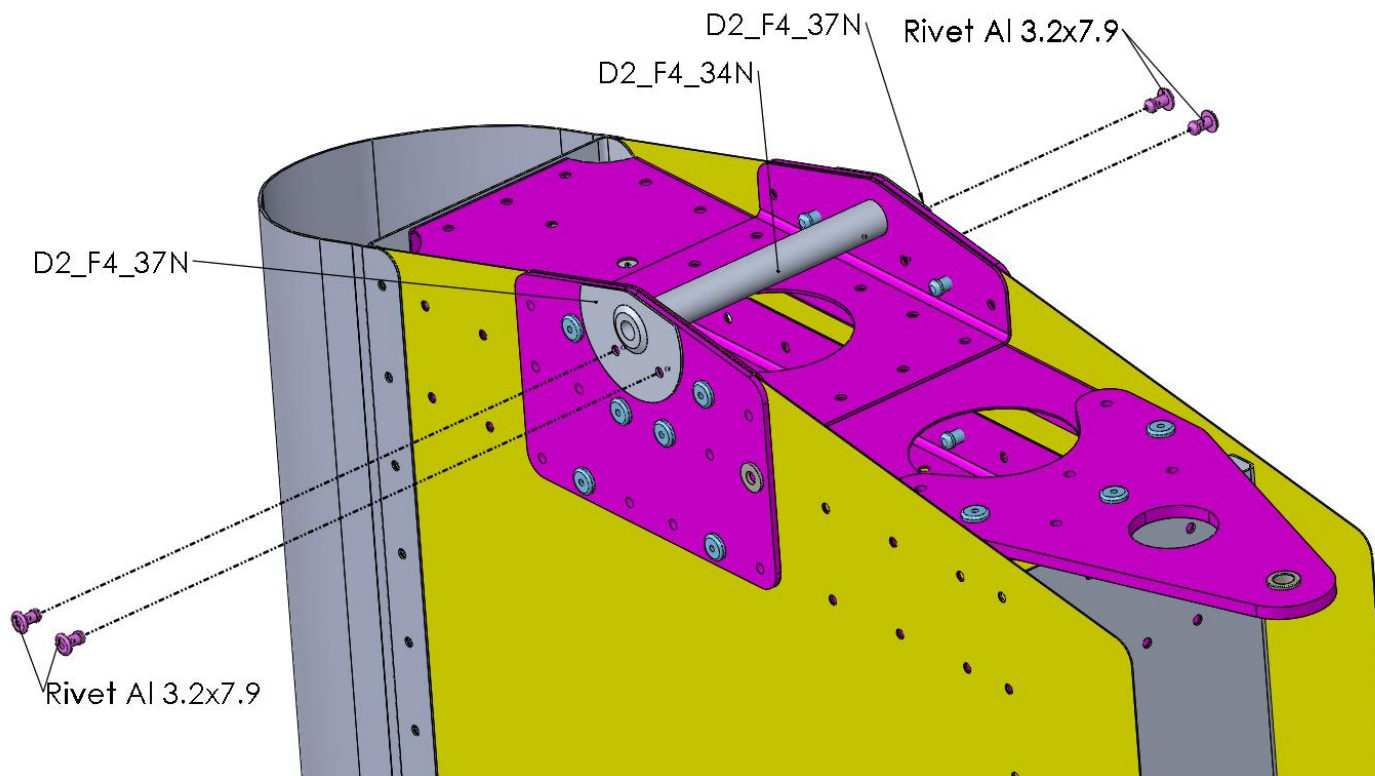
Step 10



Title	Document no.	Revision	Page	Pages
Fuselage assembly manual	D2_F0_00	Rev. 03	305	414



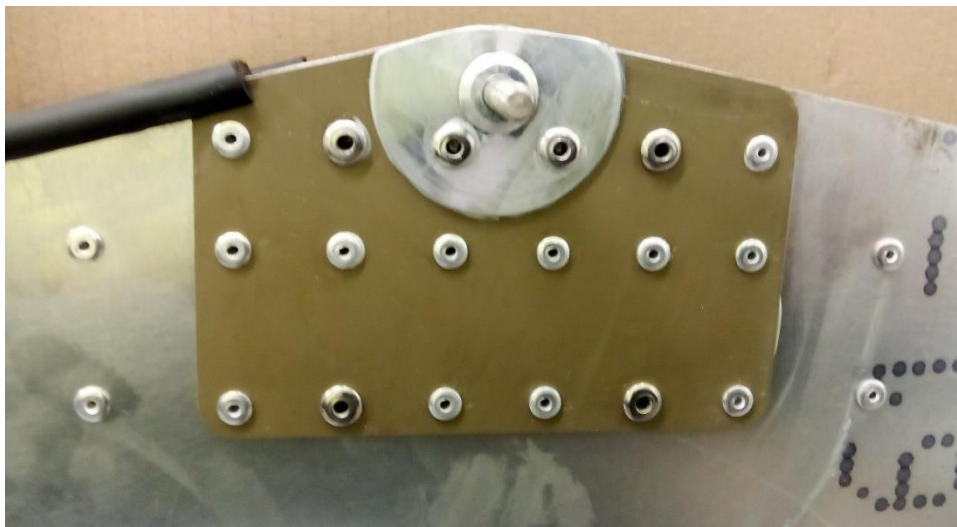
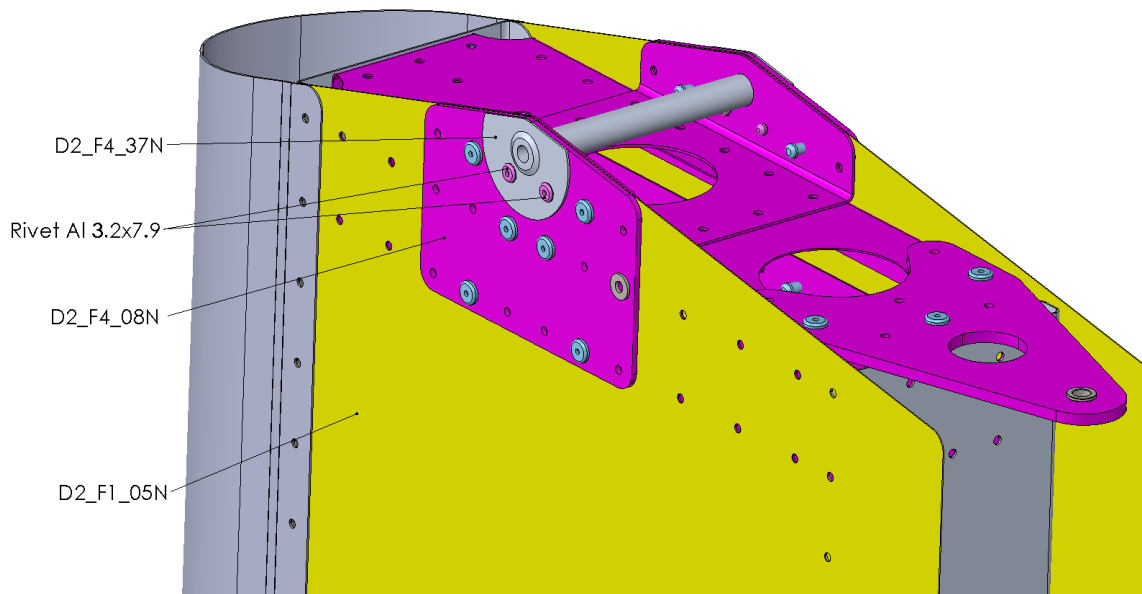
Step 11



Title	Document no.	Revision	Page	Pages
Fuselage assembly manual	D2_F0_00	Rev. 03	306	414



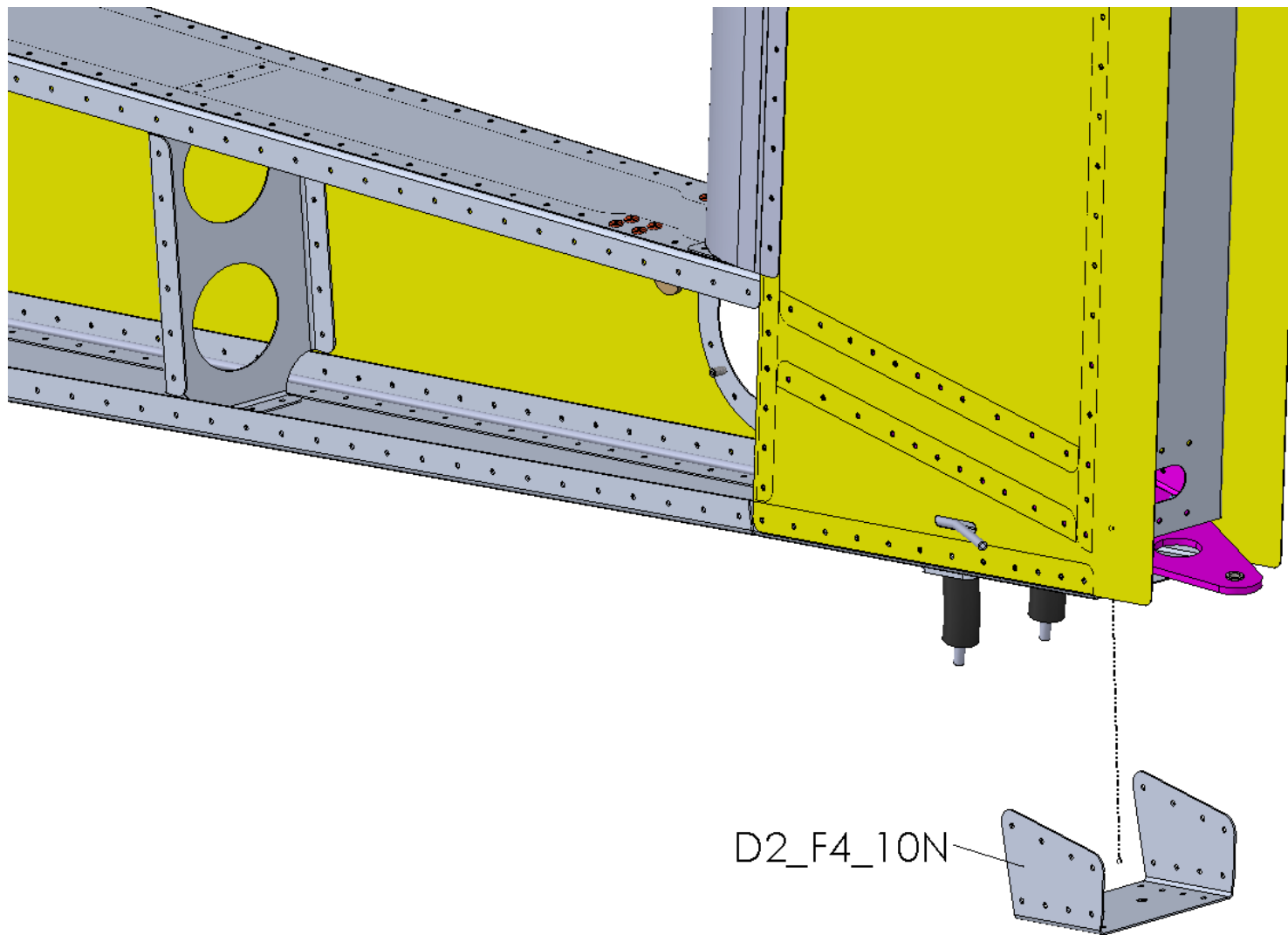
Step 12



Title	Document no.	Revision	Page	Pages
Fuselage assembly manual	D2_F0_00	Rev. 03	307	414



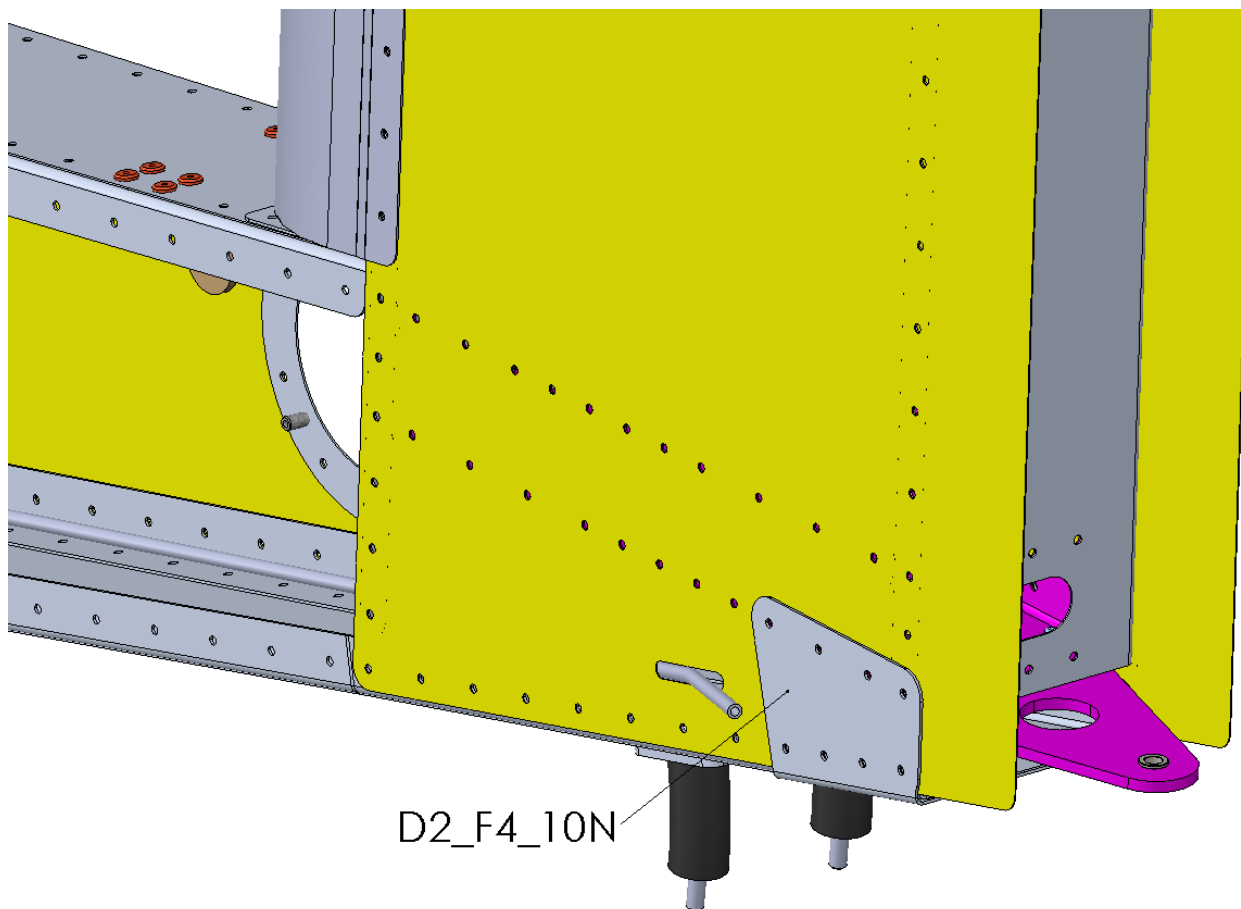
Step 13



Title	Document no.	Revision	Page	Pages
Fuselage assembly manual	D2_F0_00	Rev. 03	308	414



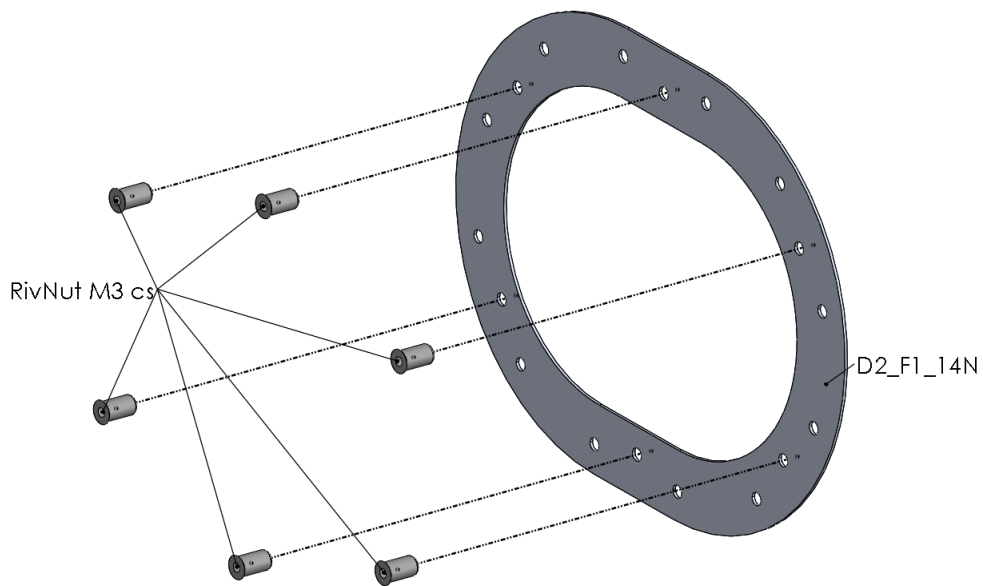
Step 14



Title	Document no.	Revision	Page	Pages
Fuselage assembly manual	D2_F0_00	Rev. 03	309	414



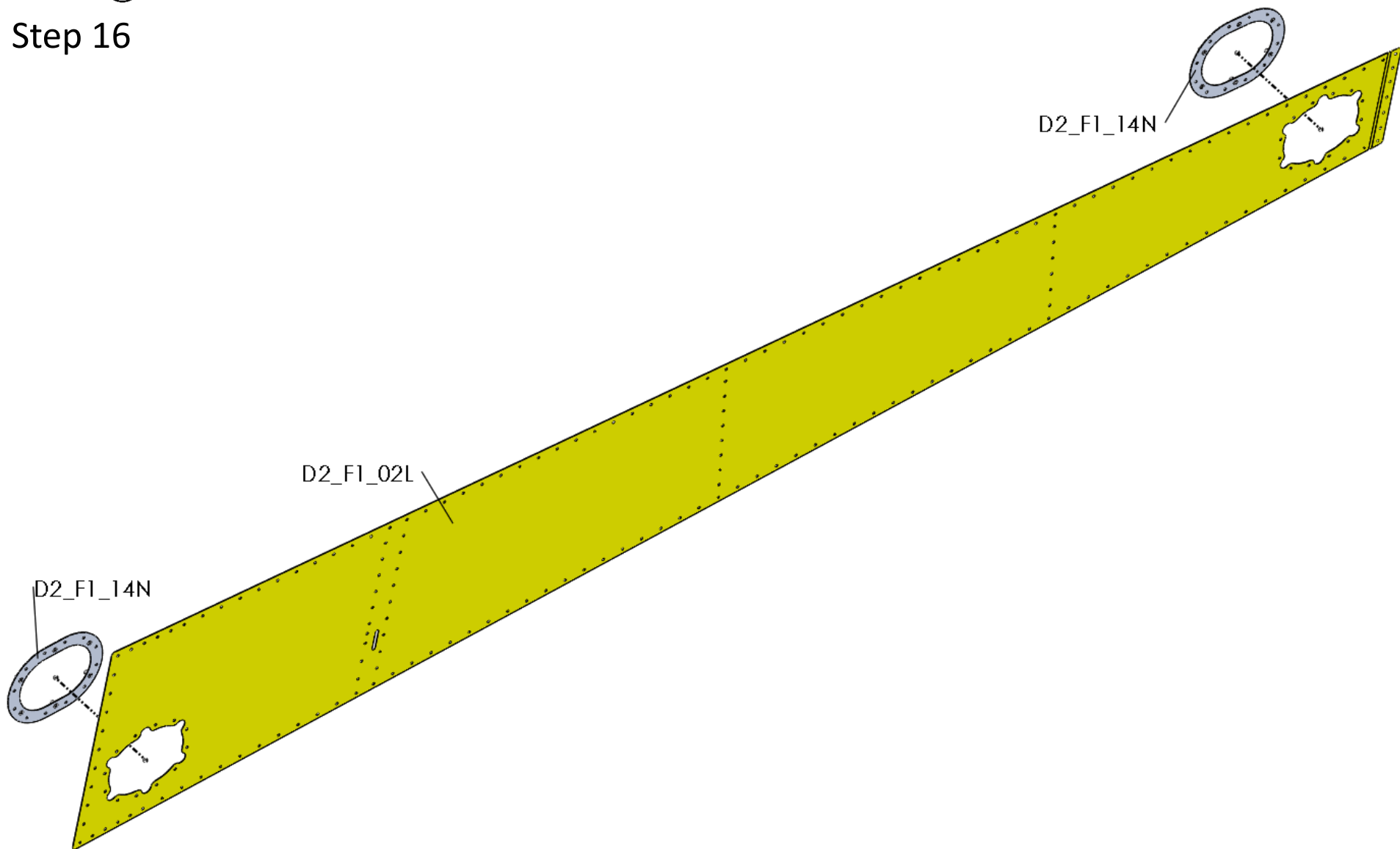
Step 15



Title	Document no.	Revision	Page	Pages
Fuselage assembly manual	D2_F0_00	Rev. 03	310	414



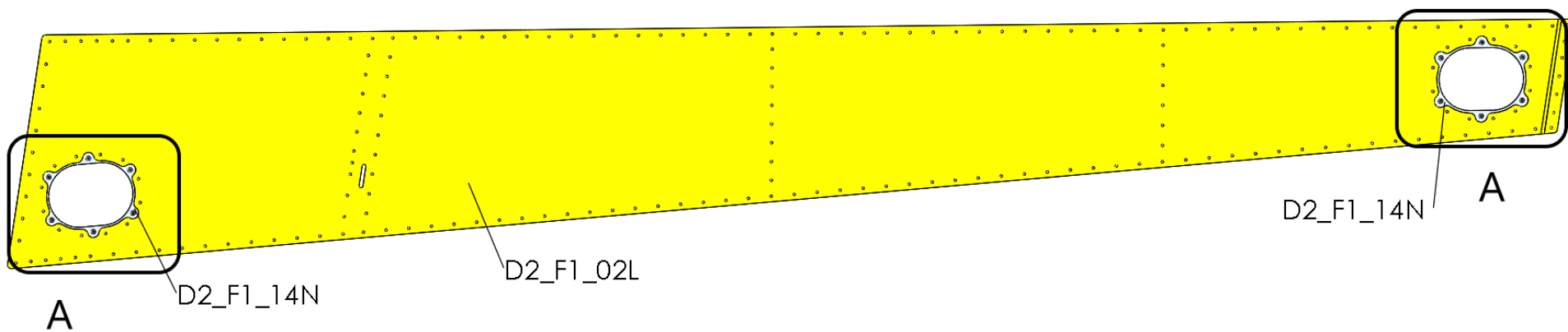
Step 16



Title	Document no.	Revision	Page	Pages
Fuselage assembly manual	D2_F0_00	Rev. 03	311	414



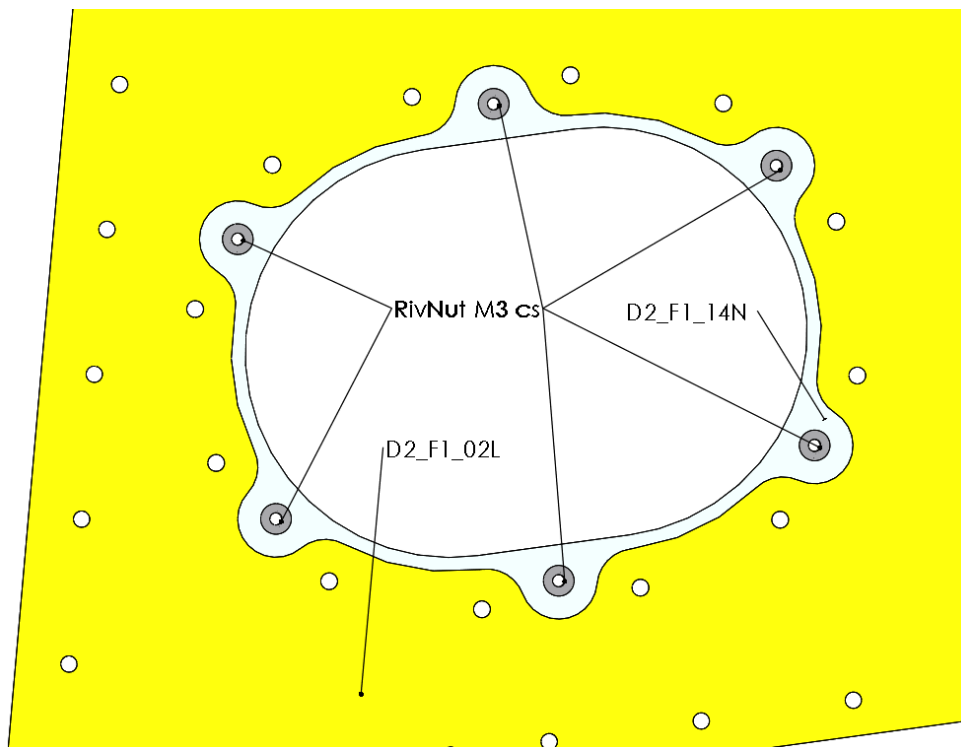
Step 17



Title	Document no.	Revision	Page	Pages
Fuselage assembly manual	D2_F0_00	Rev. 03	312	414



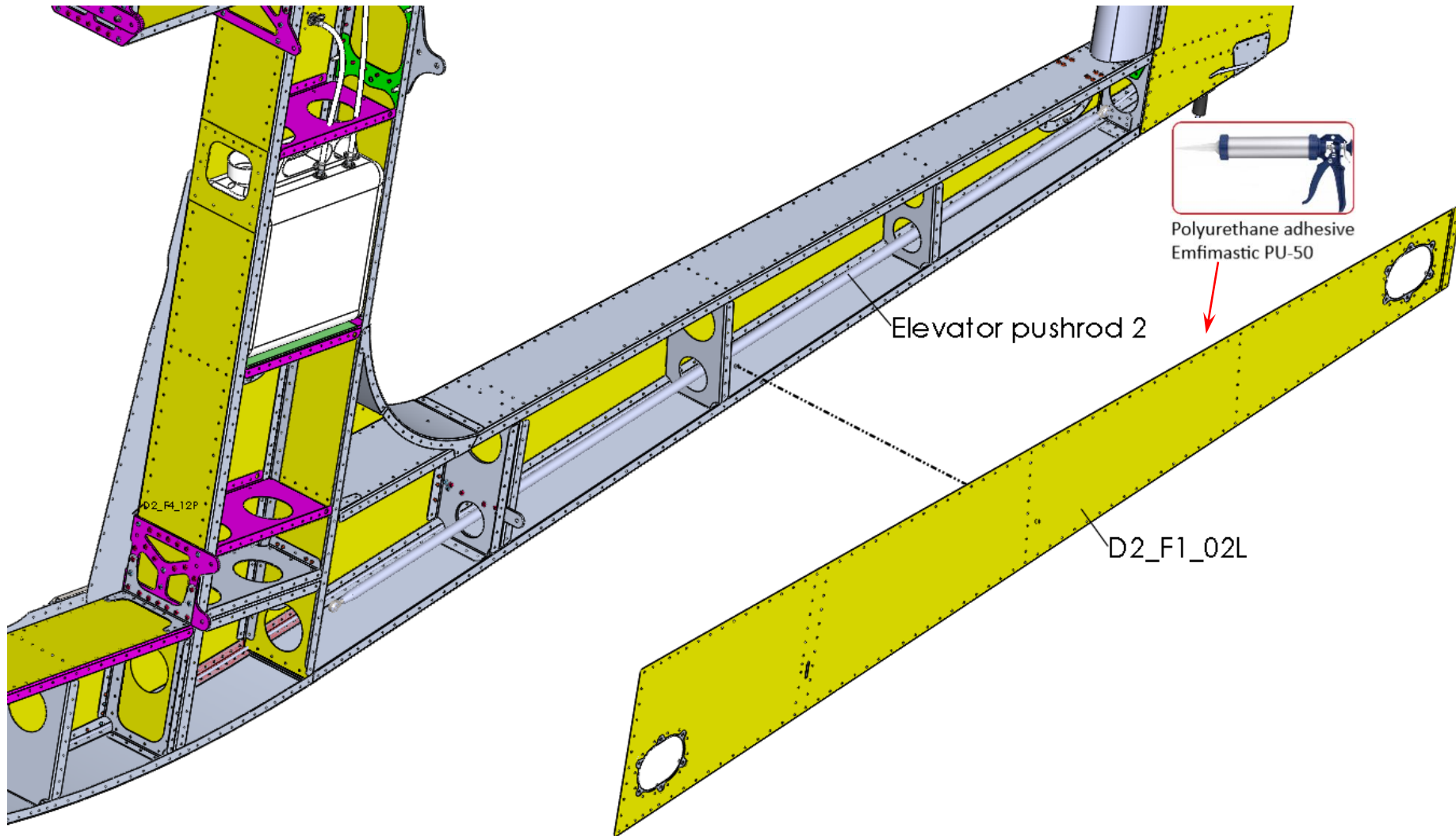
Step 17-A



Title	Document no.	Revision	Page	Pages
Fuselage assembly manual	D2_F0_00	Rev. 03	313	414



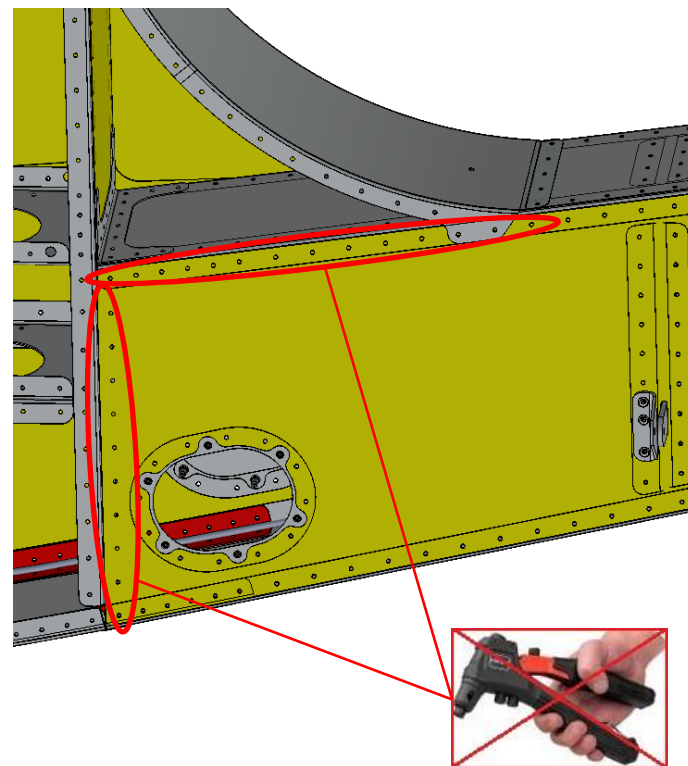
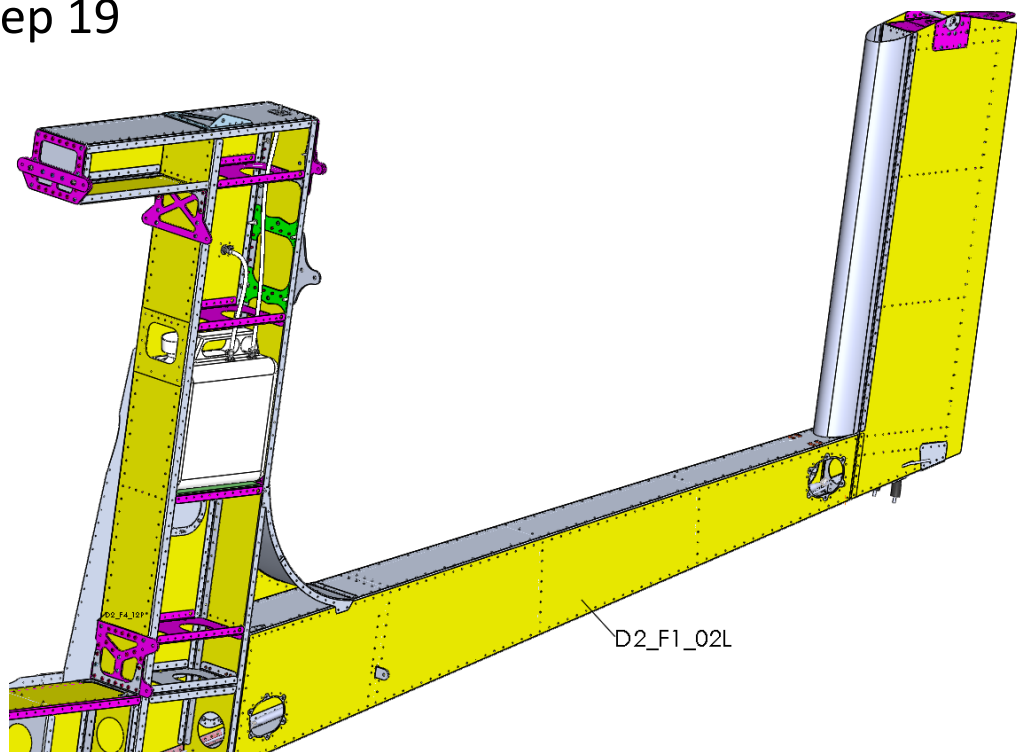
Step 18



Title	Document no.	Revision	Page	Pages
Fuselage assembly manual	D2_F0_00	Rev. 03	314	414



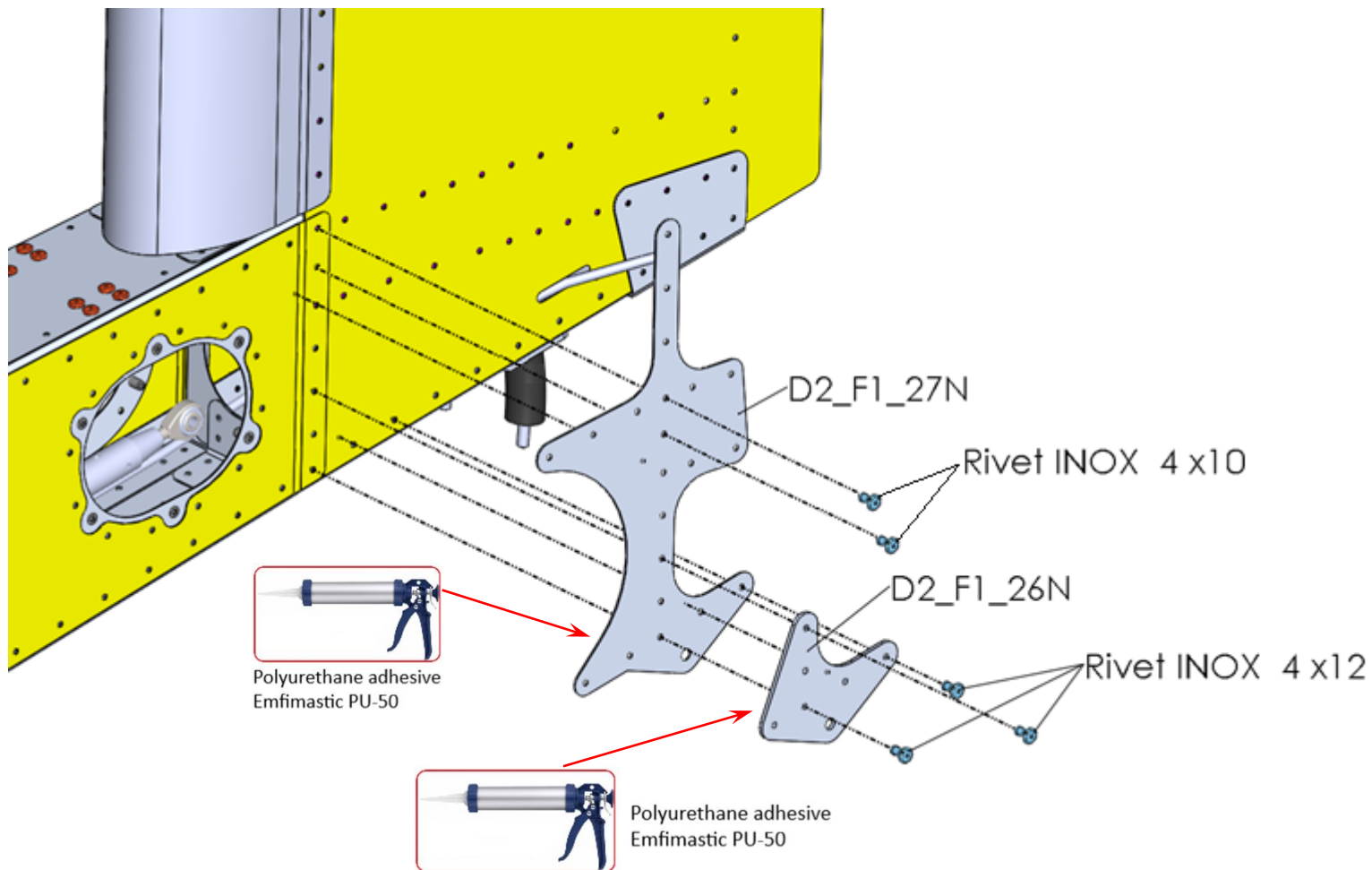
Step 19



Title	Document no.	Revision	Page	Pages
Fuselage assembly manual	D2_F0_00	Rev. 03	315	414



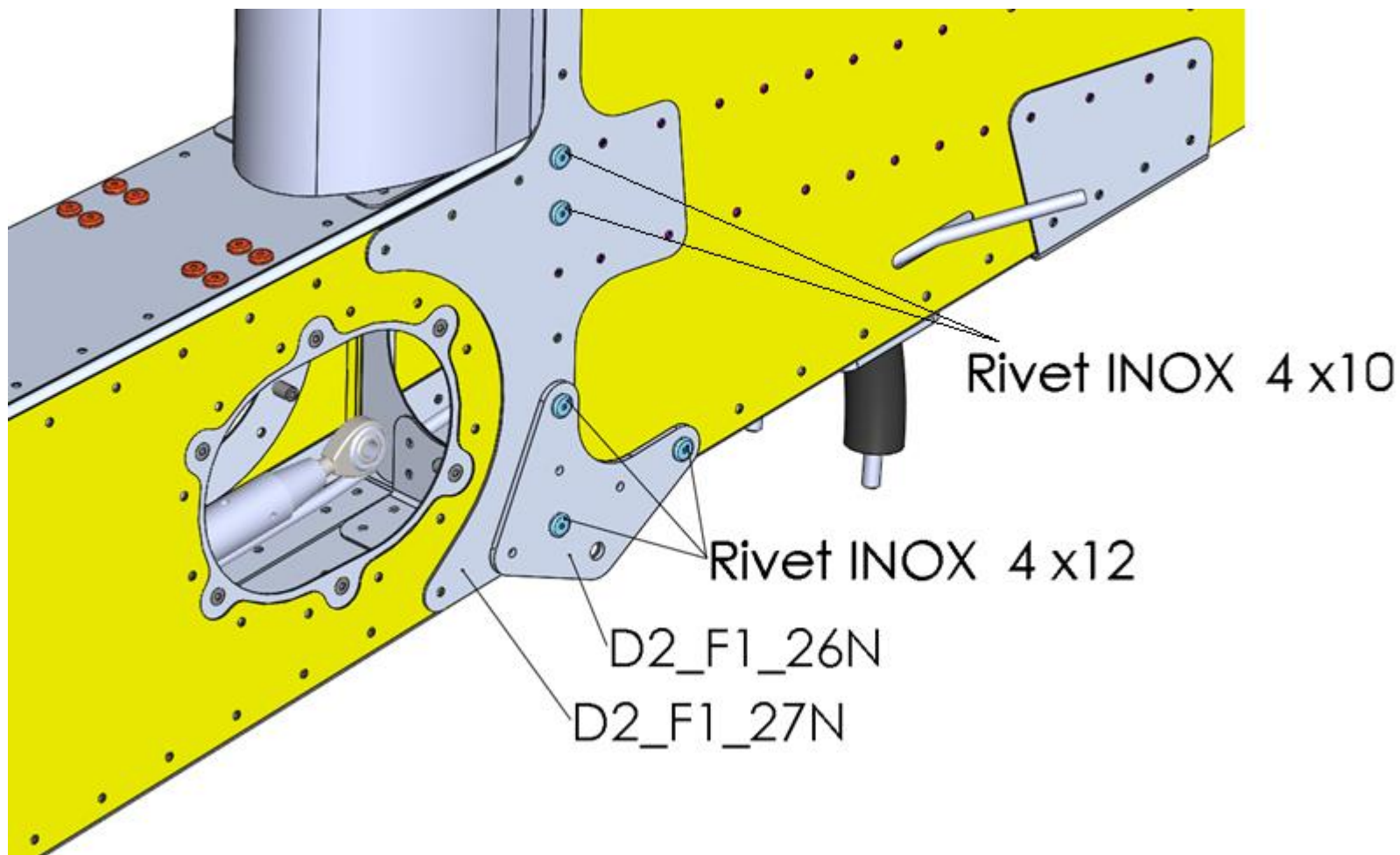
Step 20



Title	Document no.	Revision	Page	Pages
Fuselage assembly manual	D2_F0_00	Rev. 03	316	414



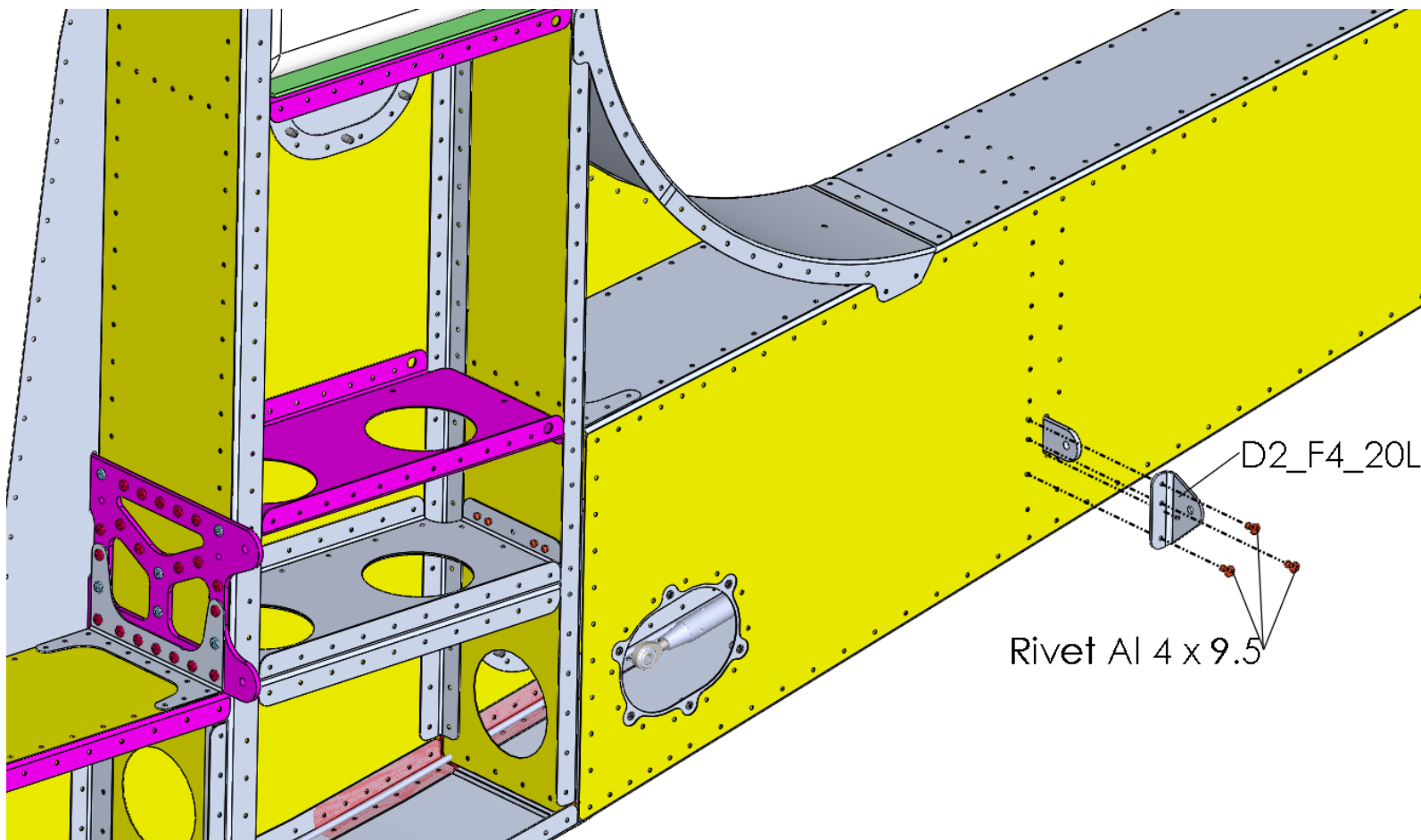
Step 21



Title	Document no.	Revision	Page	Pages
Fuselage assembly manual	D2_F0_00	Rev. 03	317	414



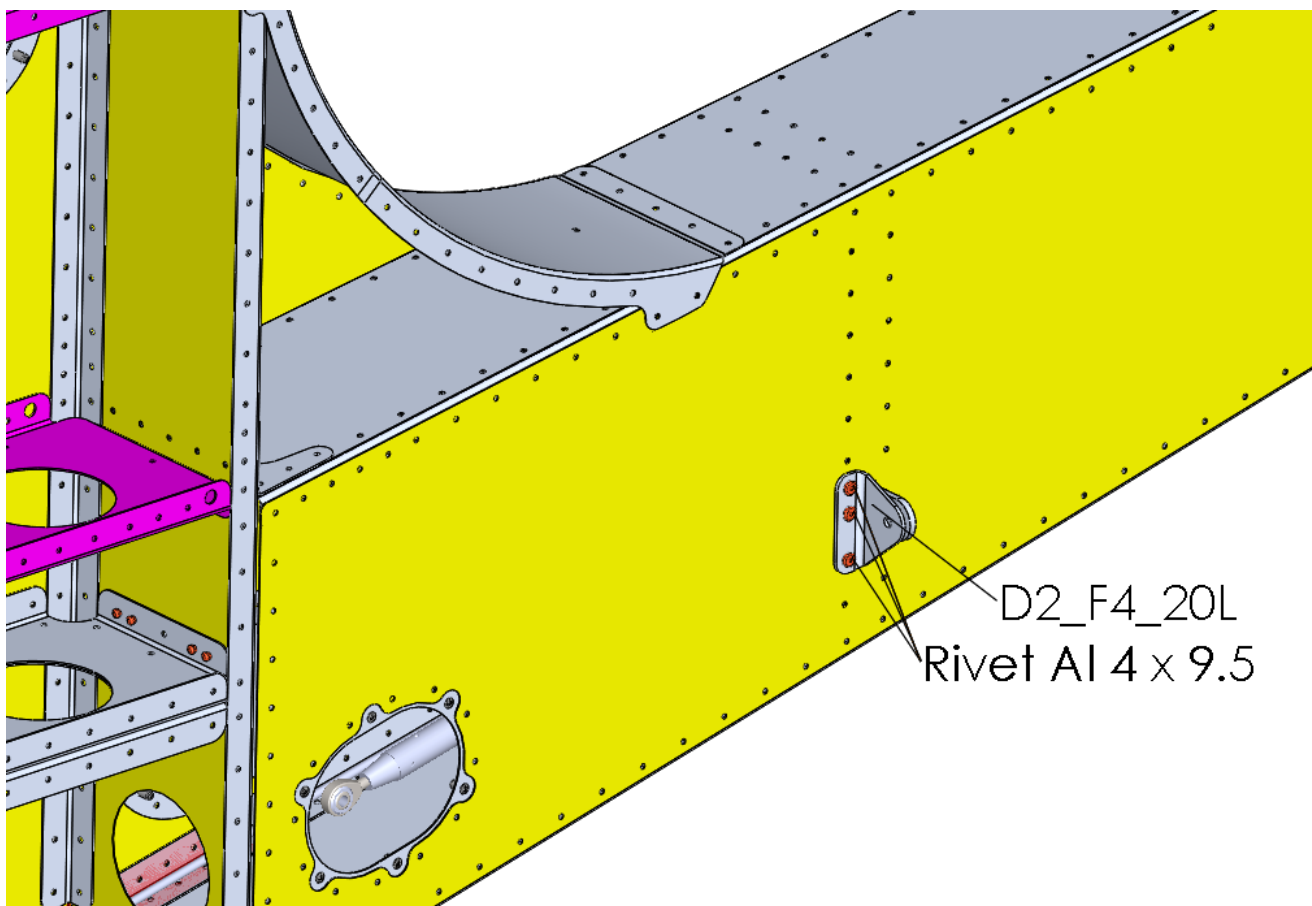
Step 22



Title	Document no.	Revision	Page	Pages
Fuselage assembly manual	D2_F0_00	Rev. 03	318	414



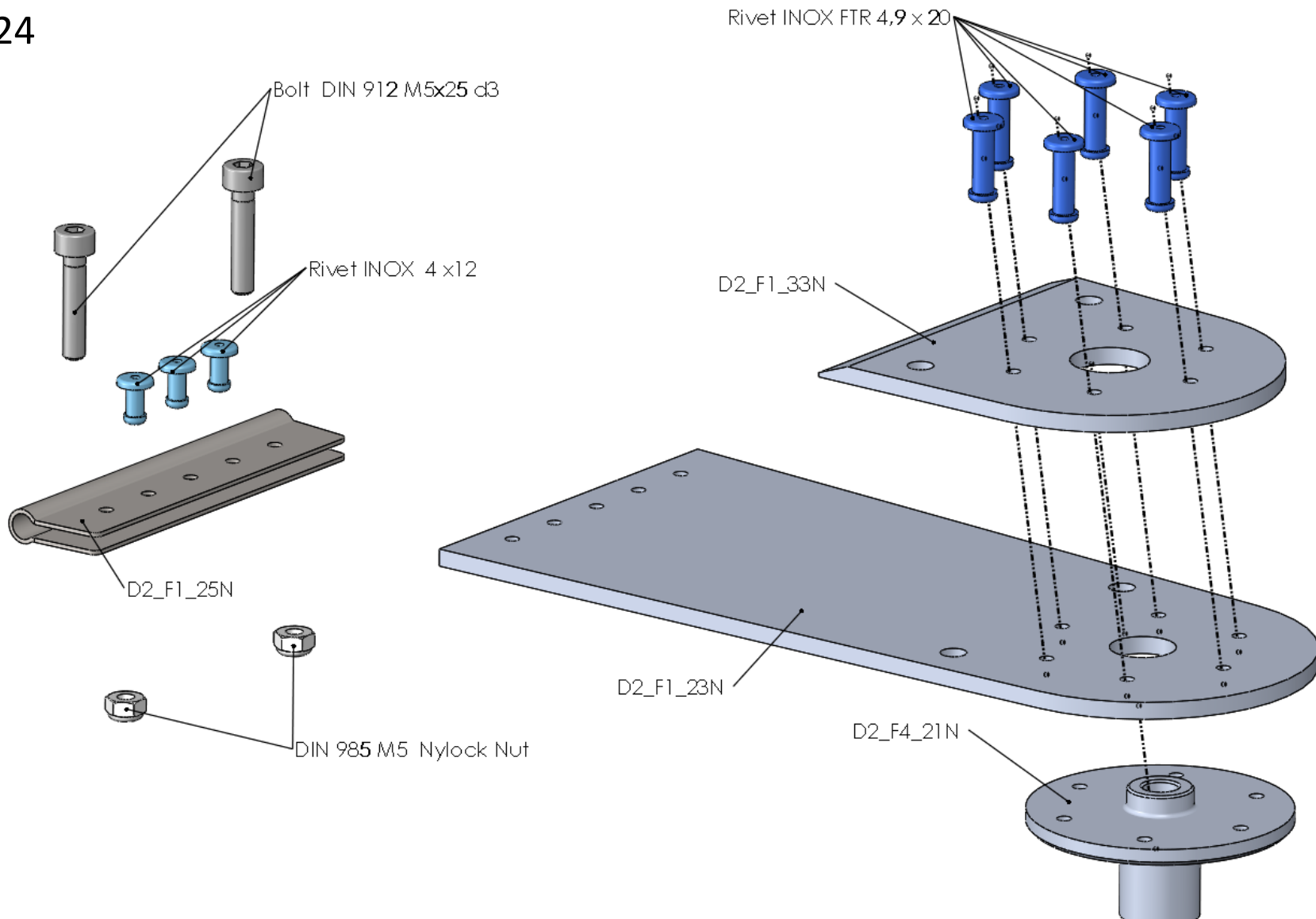
Step 23



Title	Document no.	Revision	Page	Pages
Fuselage assembly manual	D2_F0_00	Rev. 03	319	414



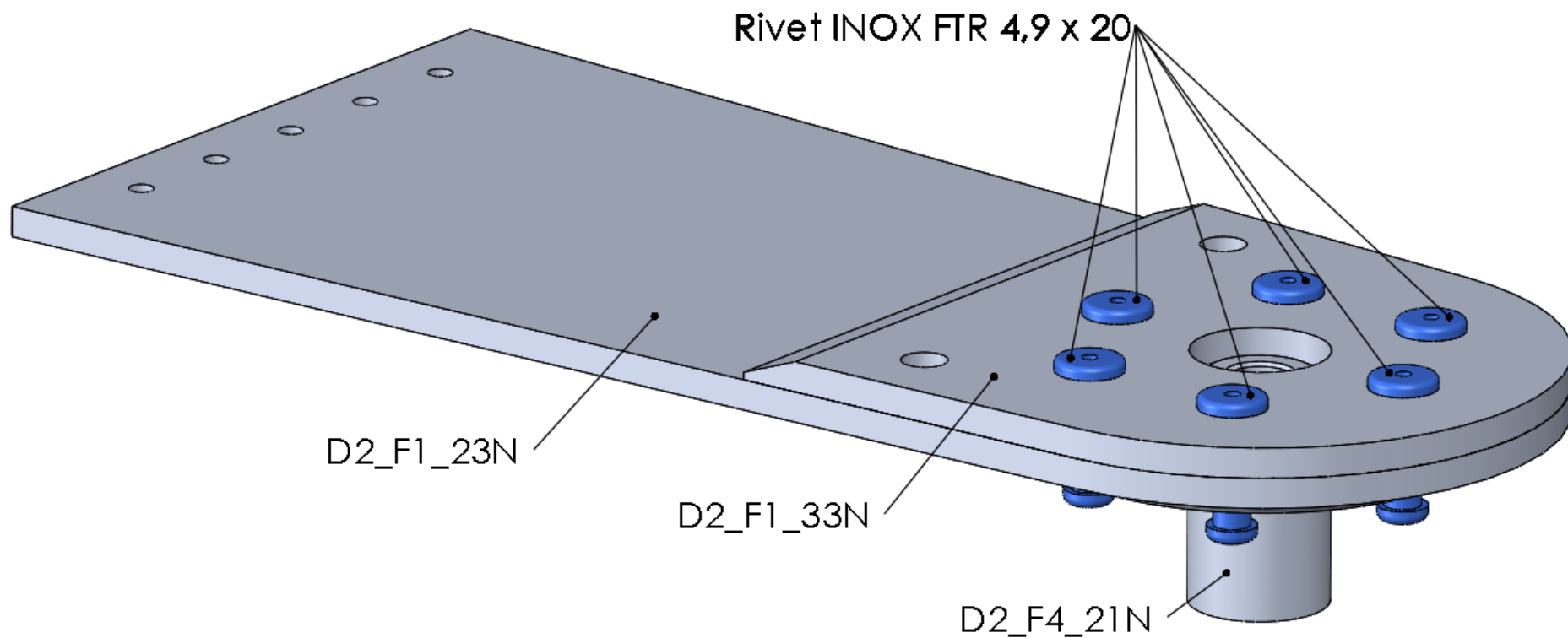
Step 24



Title	Document no.	Revision	Page	Pages
Fuselage assembly manual	D2_F0_00	Rev. 03	320	414



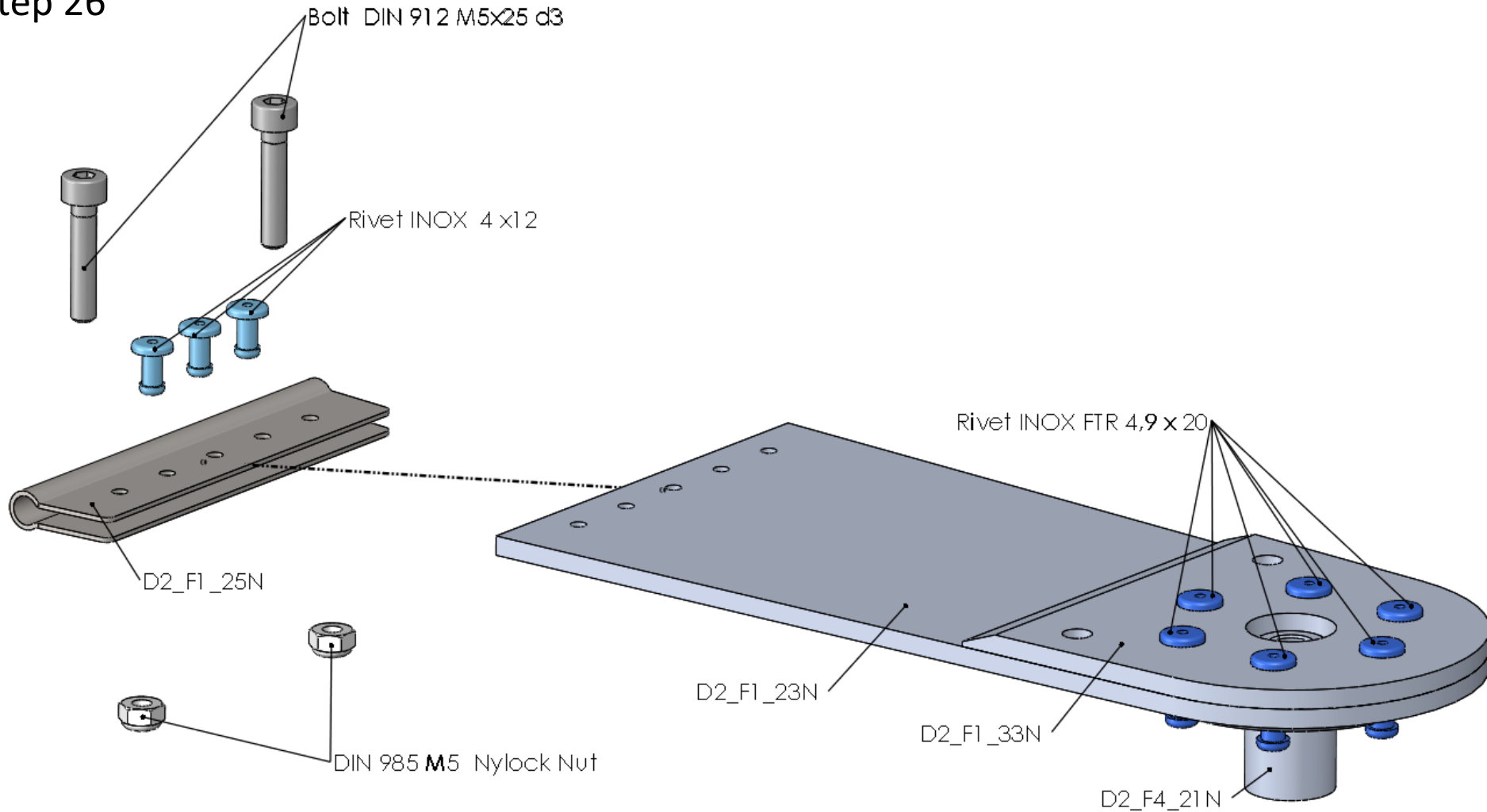
Step 25



Title	Document no.	Revision	Page	Pages
Fuselage assembly manual	D2_F0_00	Rev. 03	321	414



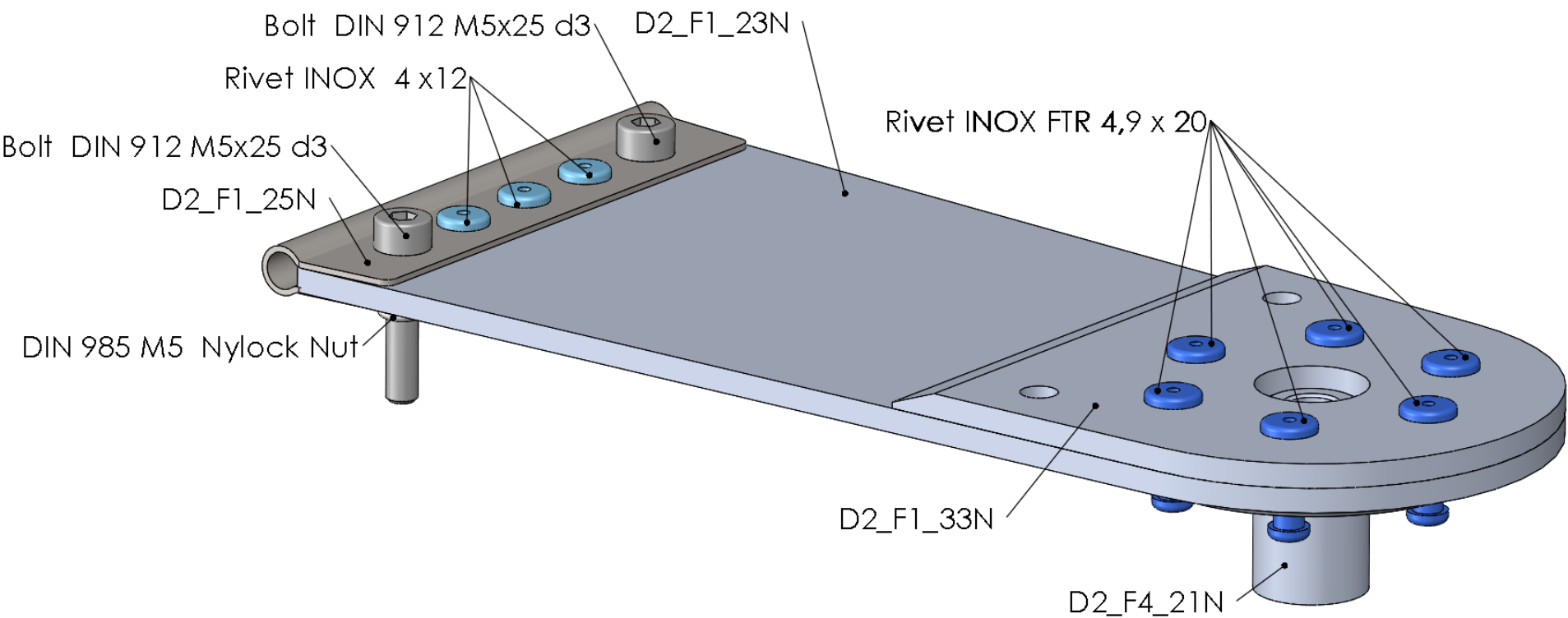
Step 26



Title	Document no.	Revision	Page	Pages
Fuselage assembly manual	D2_F0_00	Rev. 03	322	414



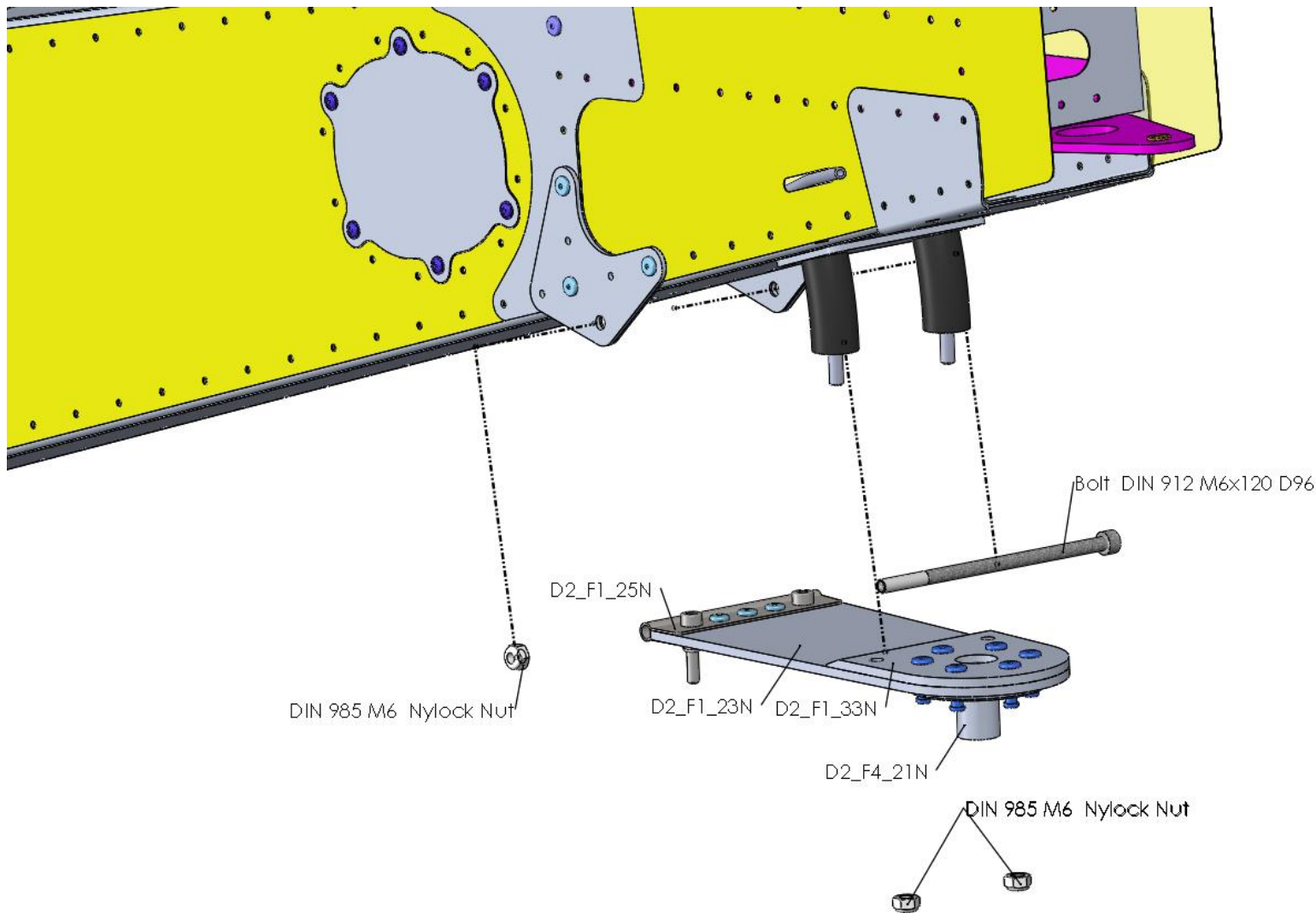
Step 27



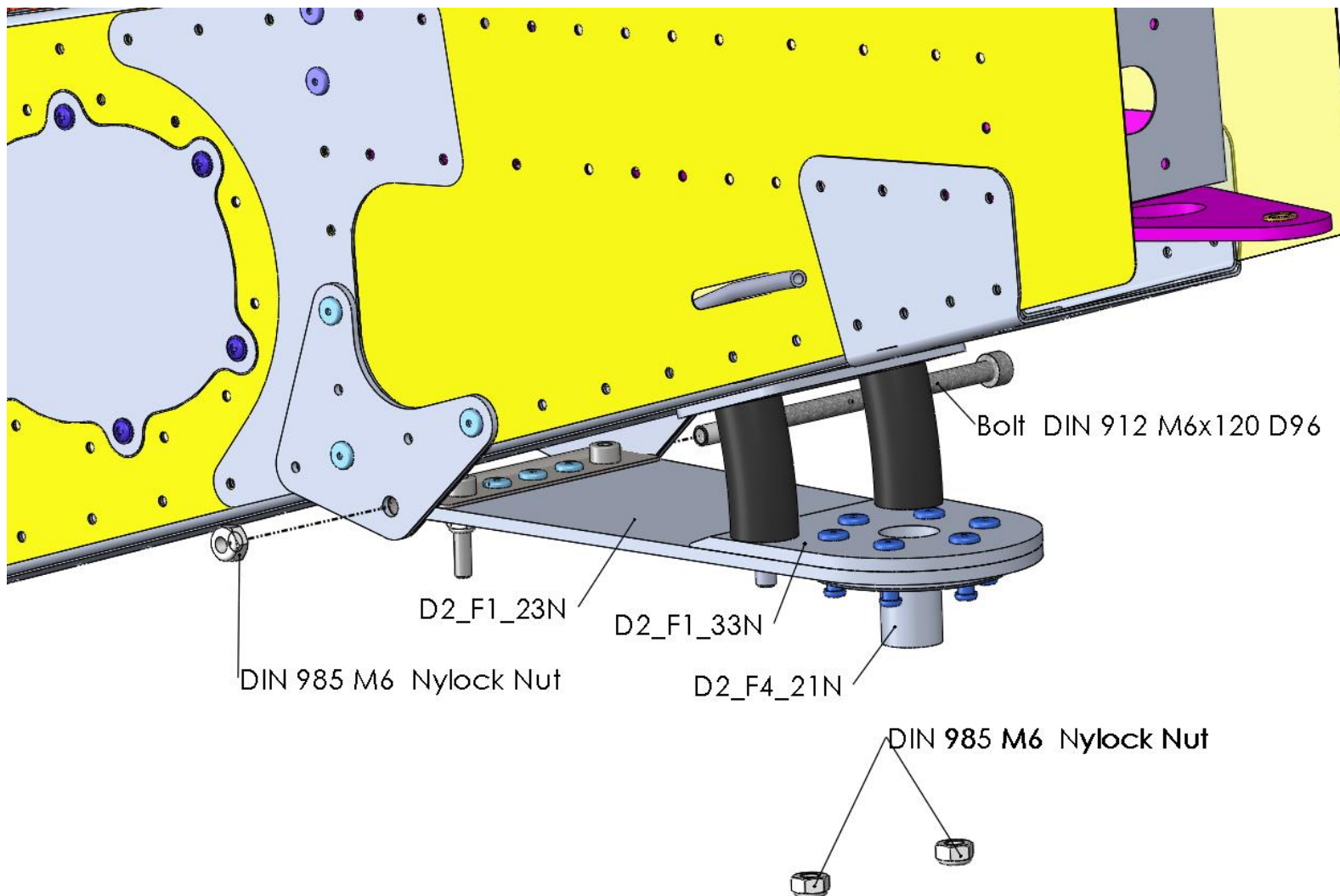
Title	Document no.	Revision	Page	Pages
Fuselage assembly manual	D2_F0_00	Rev. 03	323	414



Step 28



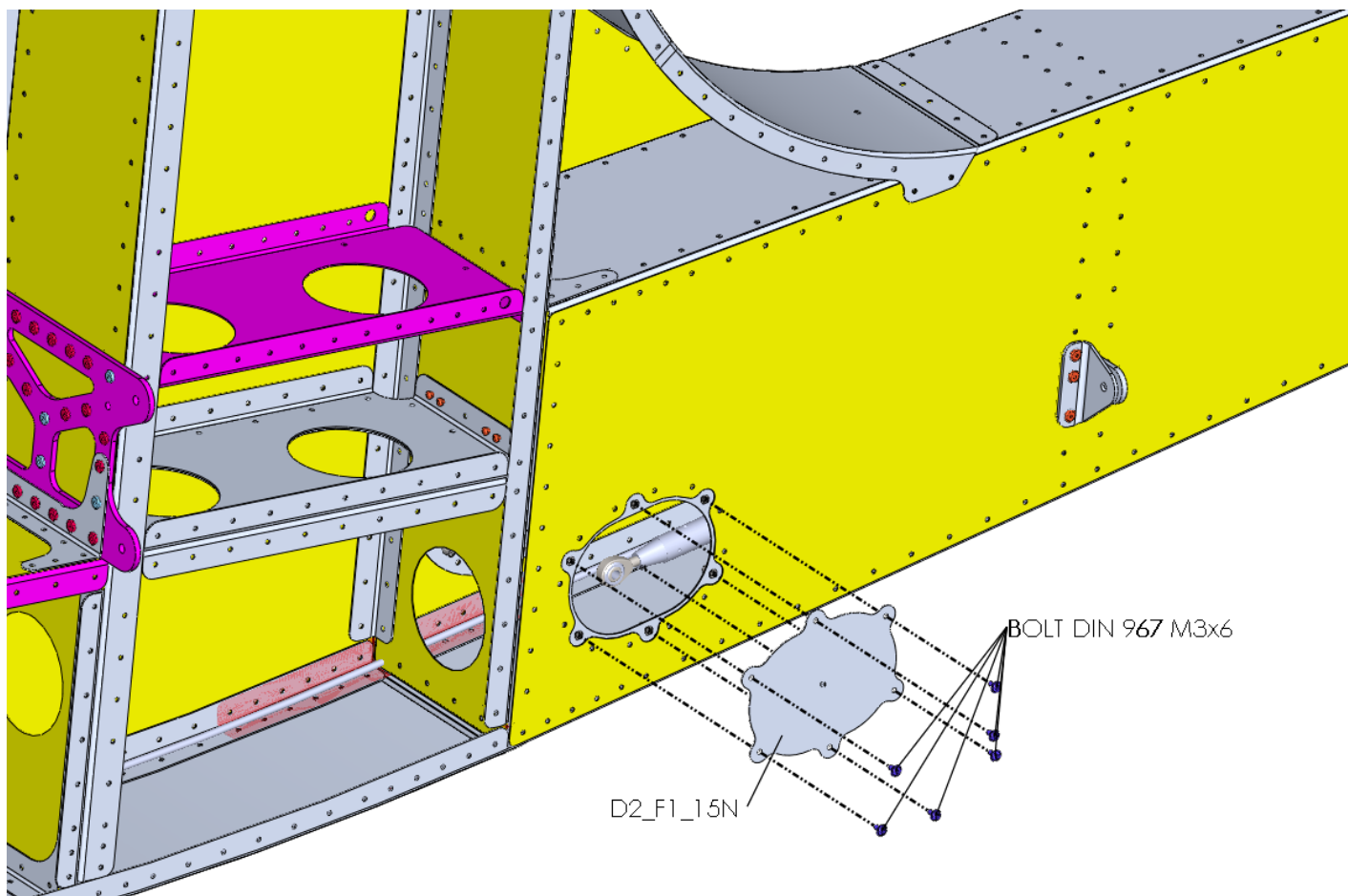
Title	Document no.	Revision	Page	Pages
Fuselage assembly manual	D2_F0_00	Rev. 03	324	414

Step 29


Title	Document no.	Revision	Page	Pages
Fuselage assembly manual	D2_F0_00	Rev. 03	325	414



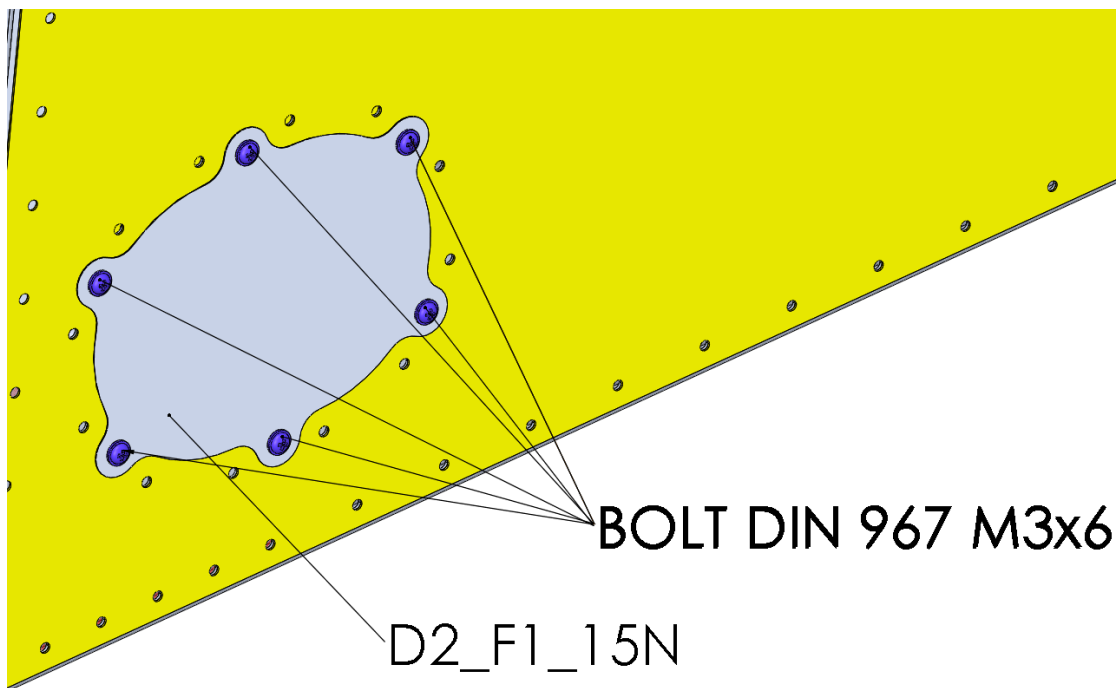
Step 30



Title	Document no.	Revision	Page	Pages
Fuselage assembly manual	D2_F0_00	Rev. 03	326	414



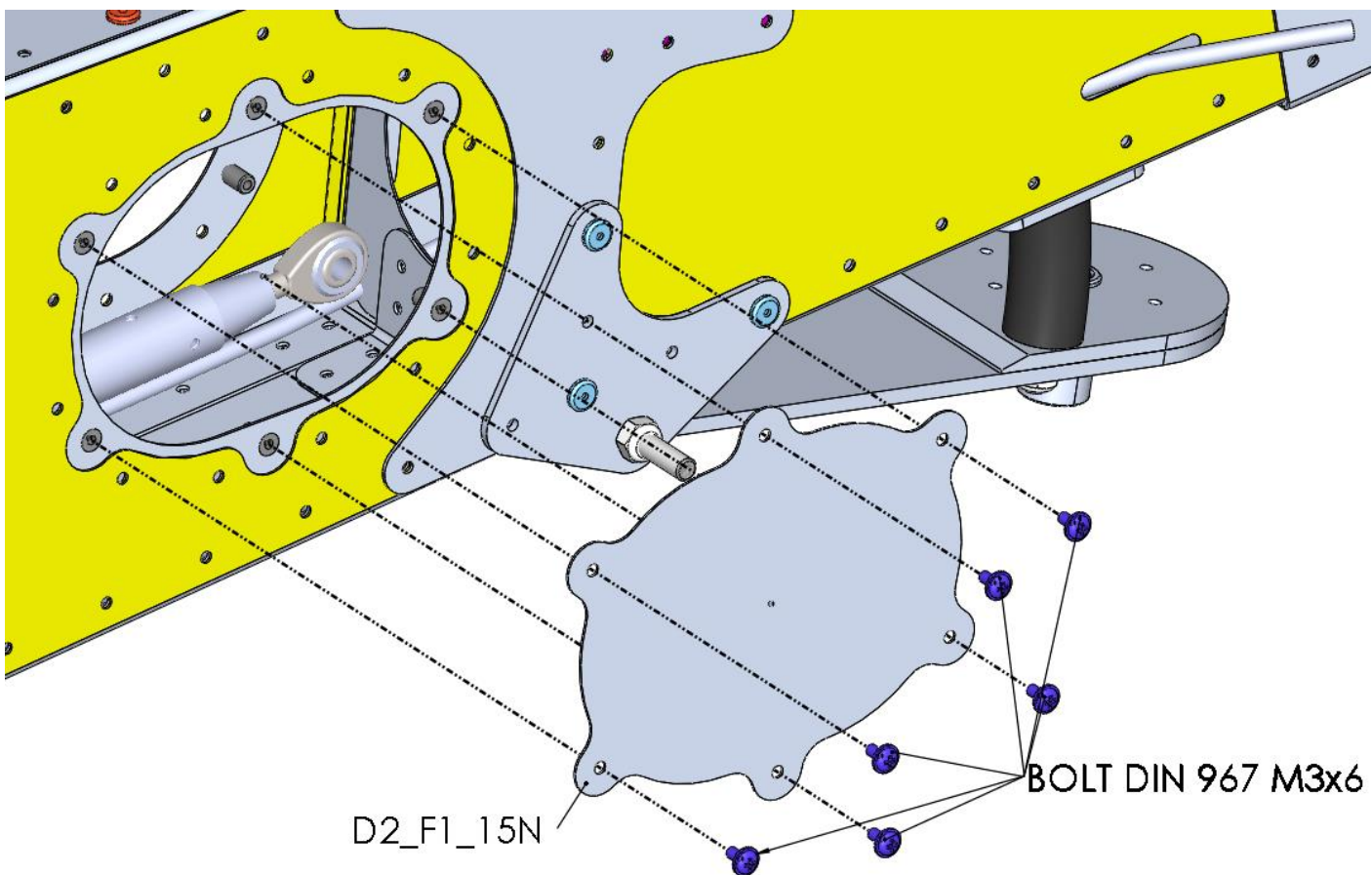
Step 31



Title	Document no.	Revision	Page	Pages
Fuselage assembly manual	D2_F0_00	Rev. 03	327	414



Step 32



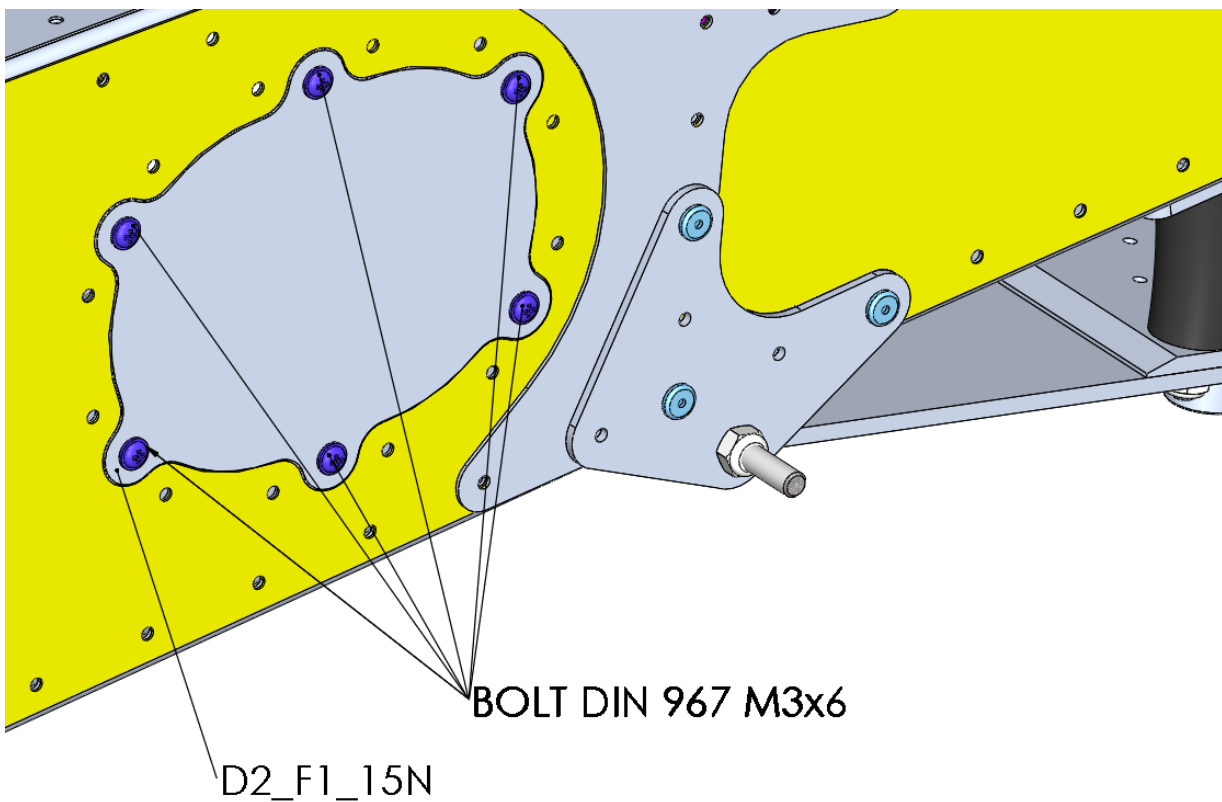
D2_F1_15N

BOLT DIN 967 M3x6

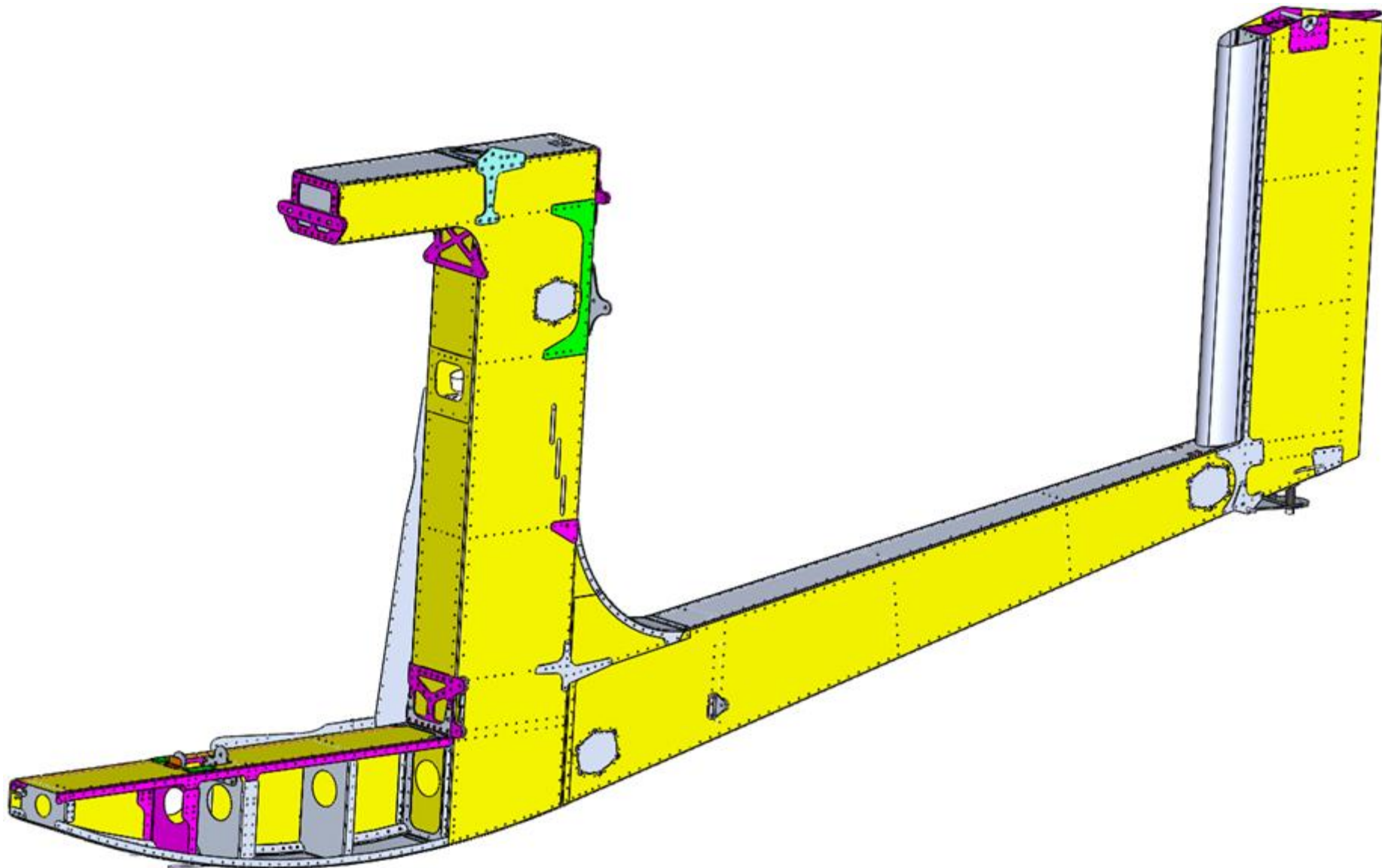
Title	Document no.	Revision	Page	Pages
Fuselage assembly manual	D2_F0_00	Rev. 03	328	414



Step 33



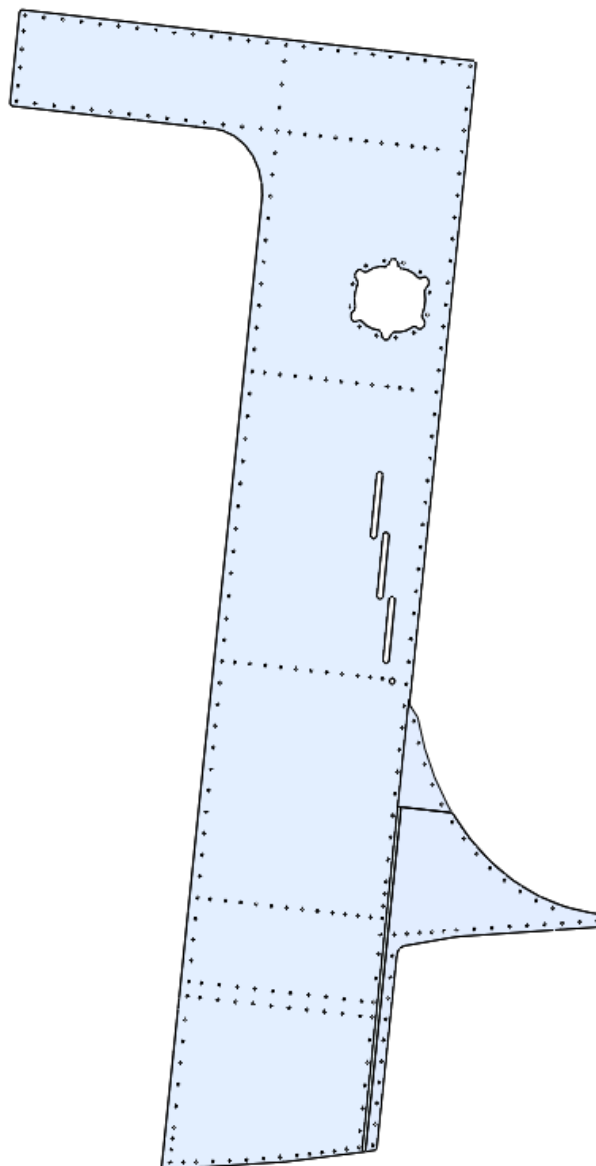
Title	Document no.	Revision	Page	Pages
Fuselage assembly manual	D2_F0_00	Rev. 03	329	414



Title	Document no.	Revision	Page	Pages
Fuselage assembly manual	D2_F0_00	Rev. 03	330	414



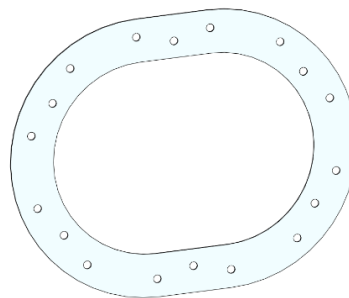
Detail: D2_F1_01N
Quantity: 1



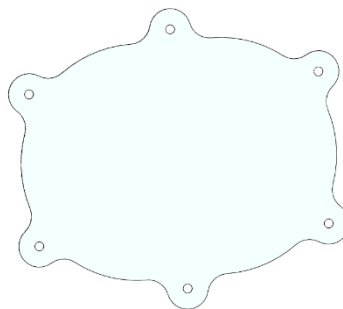
Title	Document no.	Revision	Page	Pages
Fuselage assembly manual	D2_F0_00	Rev. 03	331	414



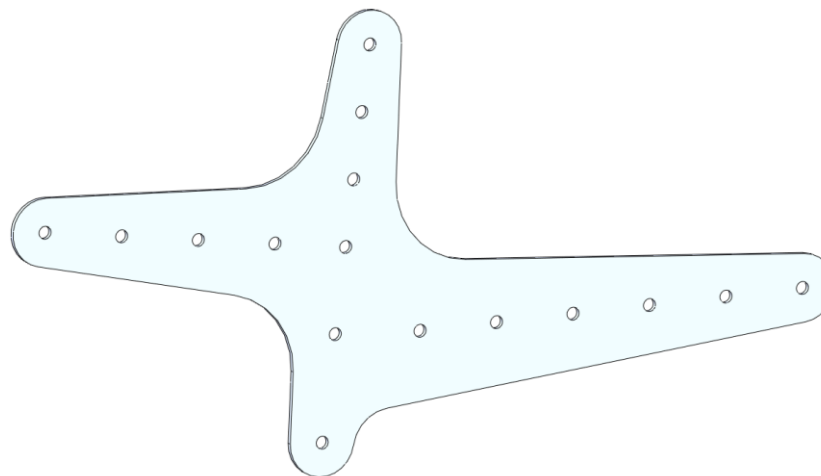
Detail: D2_F1_14N
Quantity: 1



Detail: D2_F1_15N
Quantity: 1



Detail: D2_F3_19N
Quantity: 1

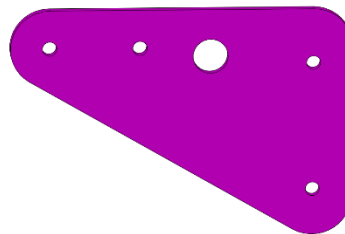


Title	Document no.	Revision	Page	Pages
Fuselage assembly manual	D2_F0_00	Rev. 03	332	414



Detail: D2_F4_11N

Quantity: 1



Detail: D2_F4_31N

Quantity: 1

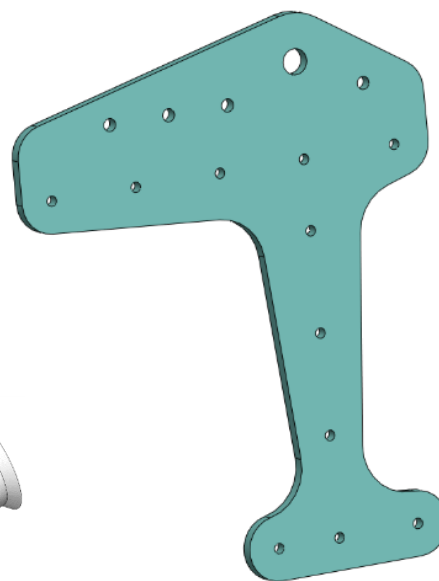


Title	Document no.	Revision	Page	Pages
Fuselage assembly manual	D2_F0_00	Rev. 03	333	414



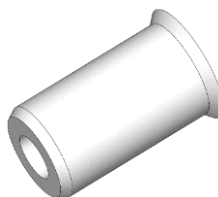
Detail: D2_F6_01N

Quantity: 1



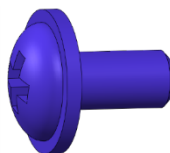
Detail: RivNut M3 cs

Quantity: 6



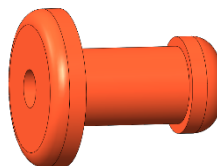
Detail: BOLT DIN 967 M3x6

Quantity: 6



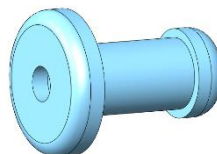
Detail: Rivet Al 4 x 9.5

Quantity: 3



Detail: Rivet INOX 4 x12

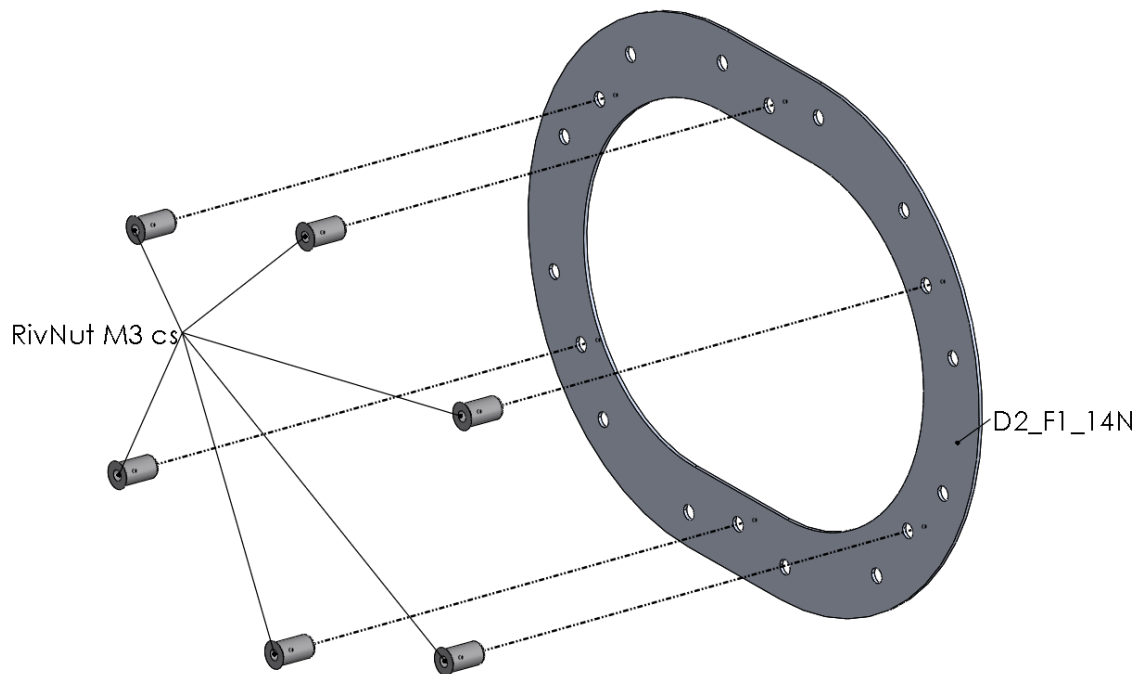
Quantity: 17



Title	Document no.	Revision	Page	Pages
Fuselage assembly manual	D2_F0_00	Rev. 03	334	414



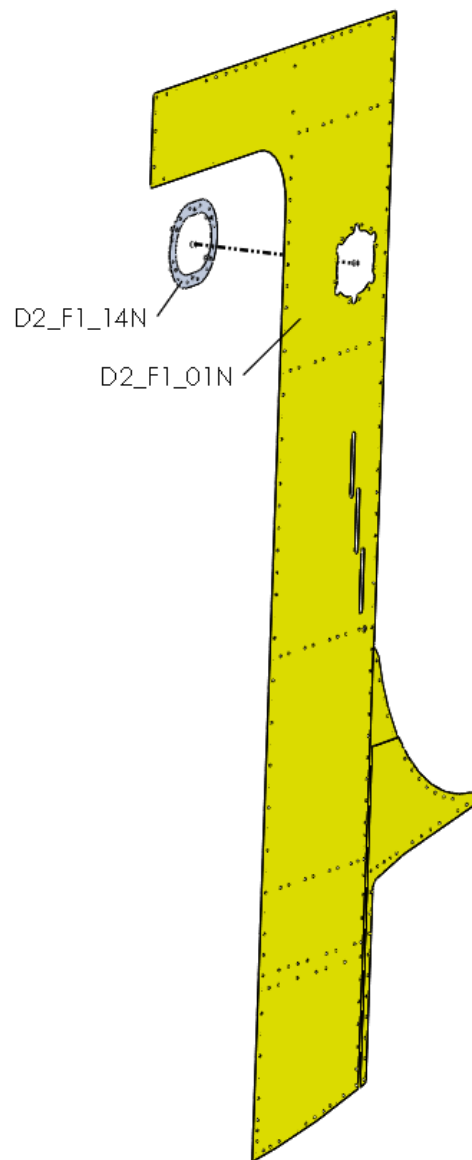
Step 1



Title	Document no.	Revision	Page	Pages
Fuselage assembly manual	D2_F0_00	Rev. 03	335	414



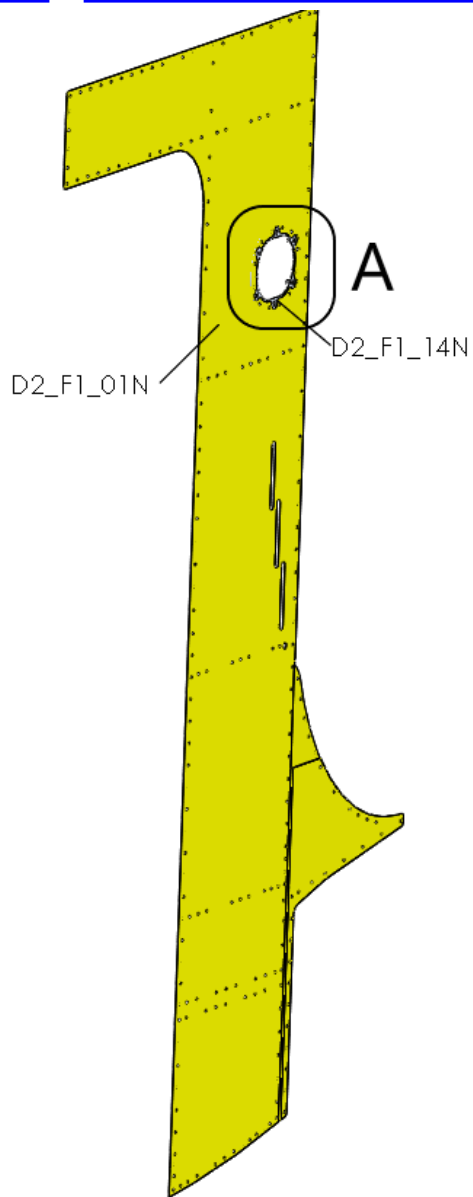
Step 2



Title	Document no.	Revision	Page	Pages
Fuselage assembly manual	D2_F0_00	Rev. 03	336	414



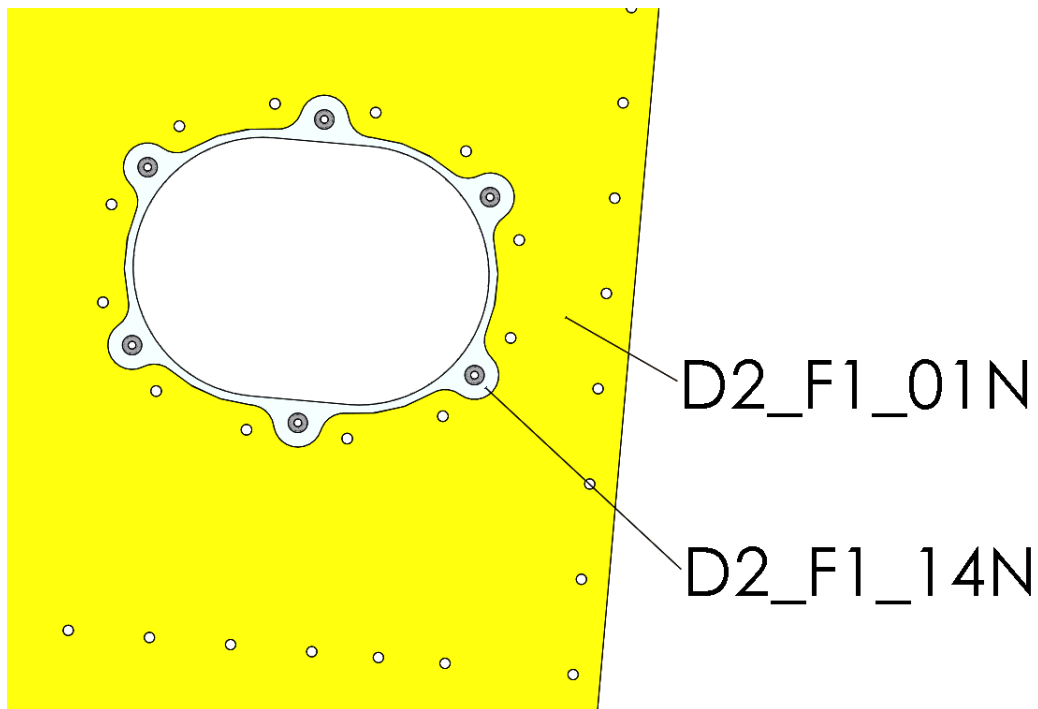
Step 3



Title	Document no.	Revision	Page	Pages
Fuselage assembly manual	D2_F0_00	Rev. 03	337	414



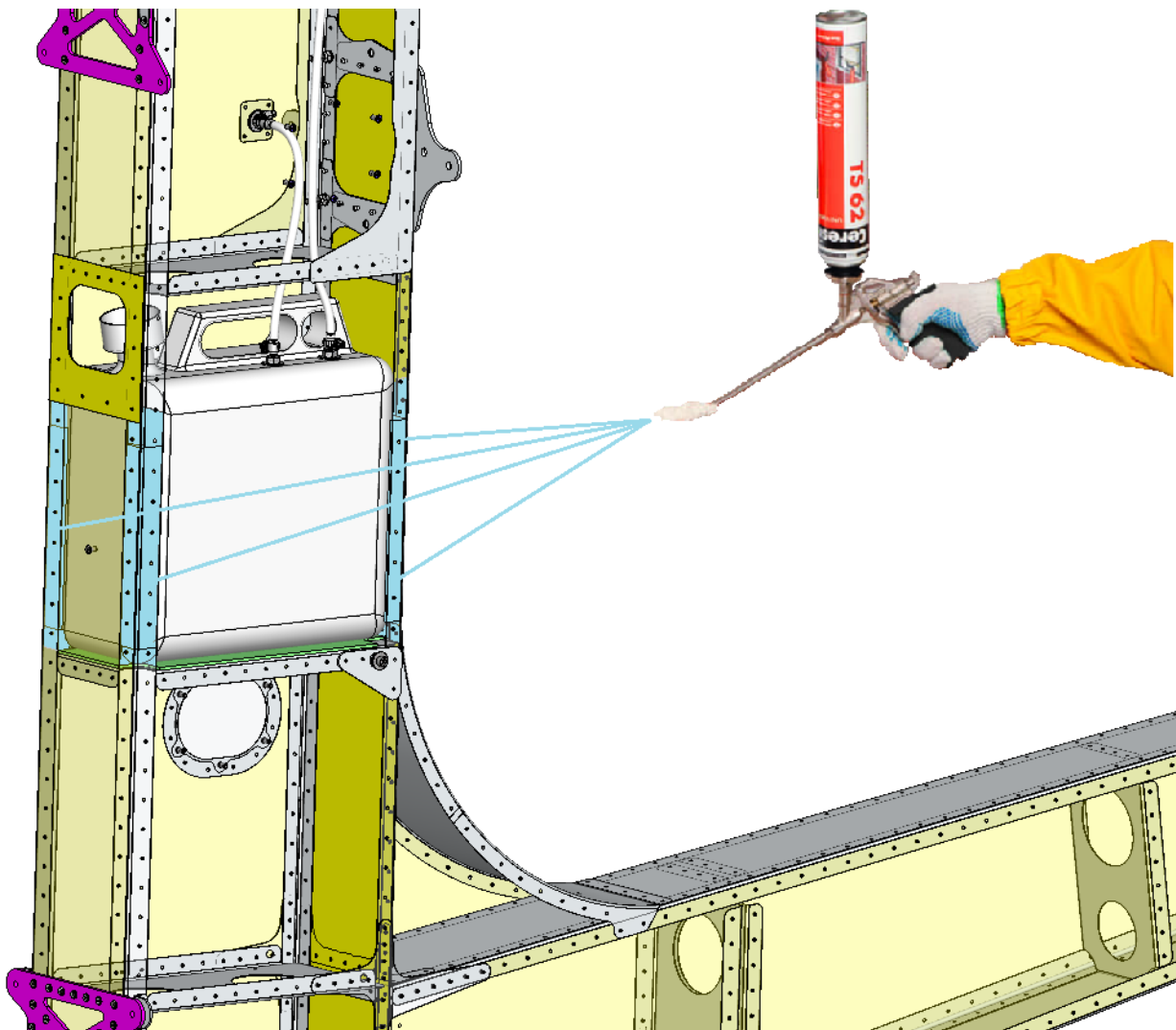
Step 3A



Title	Document no.	Revision	Page	Pages
Fuselage assembly manual	D2_F0_00	Rev. 03	338	414



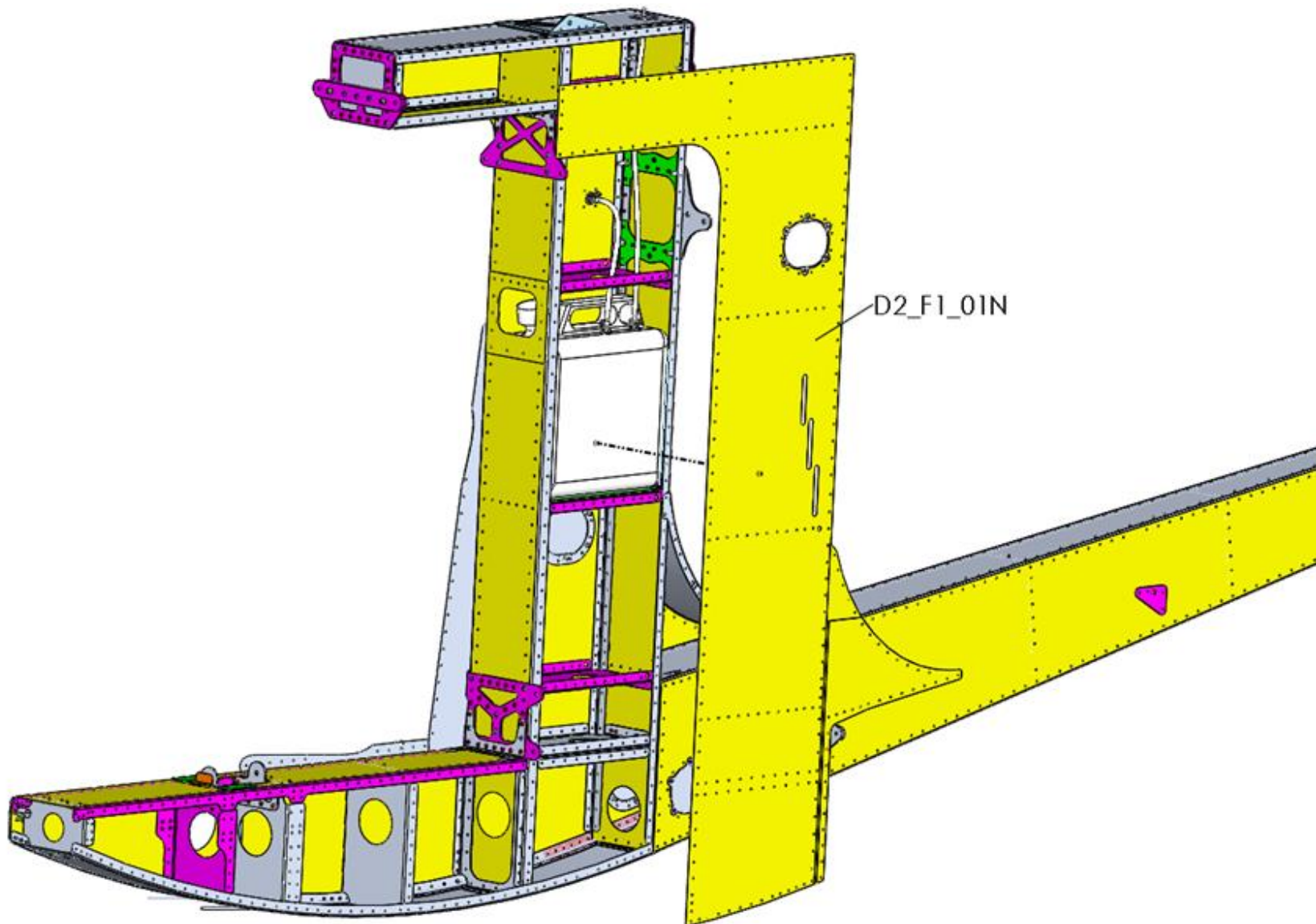
Step 4



Title	Document no.	Revision	Page	Pages
Fuselage assembly manual	D2_F0_00	Rev. 03	339	414



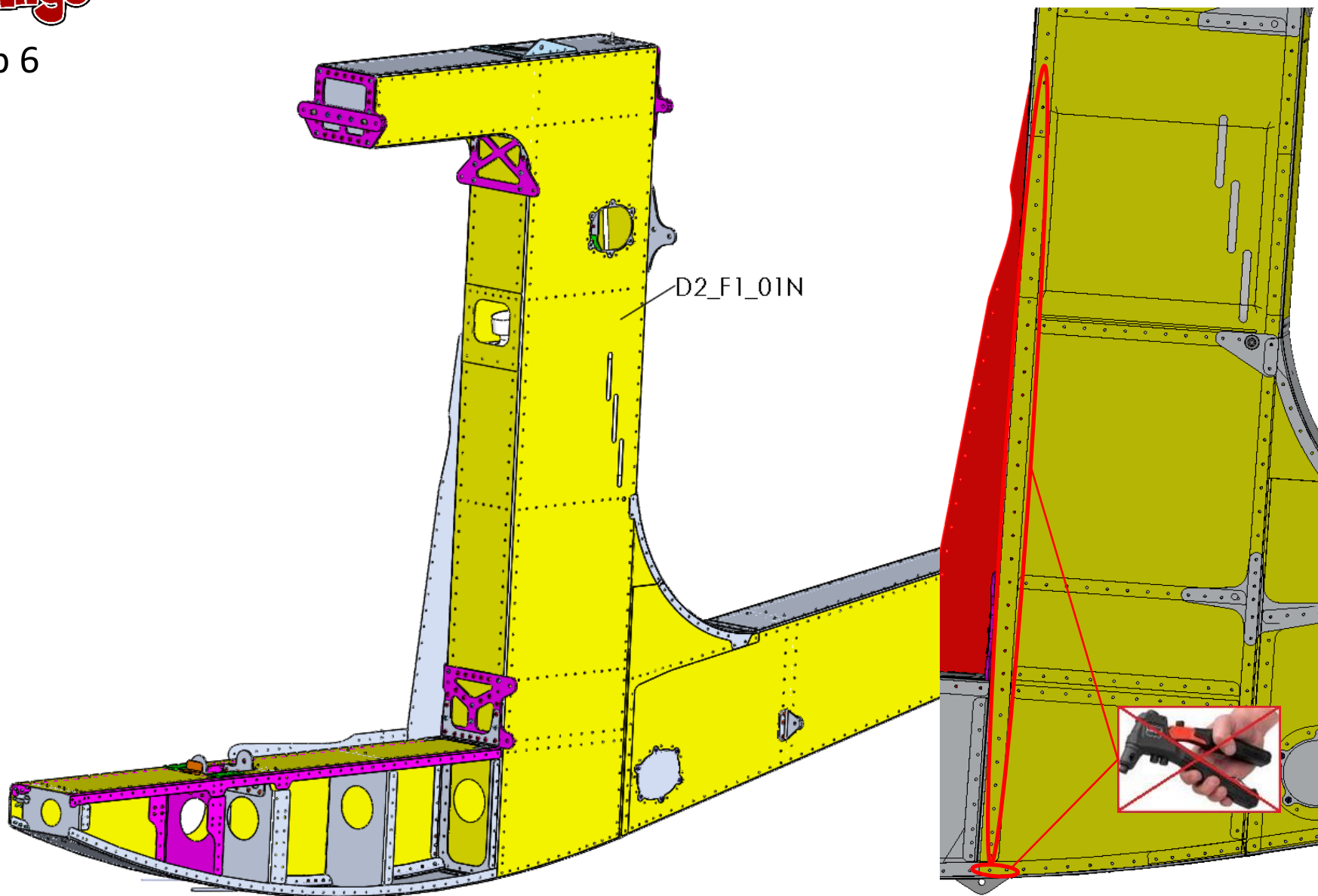
Step 5



Title	Document no.	Revision	Page	Pages
Fuselage assembly manual	D2_F0_00	Rev. 03	340	414



Step 6

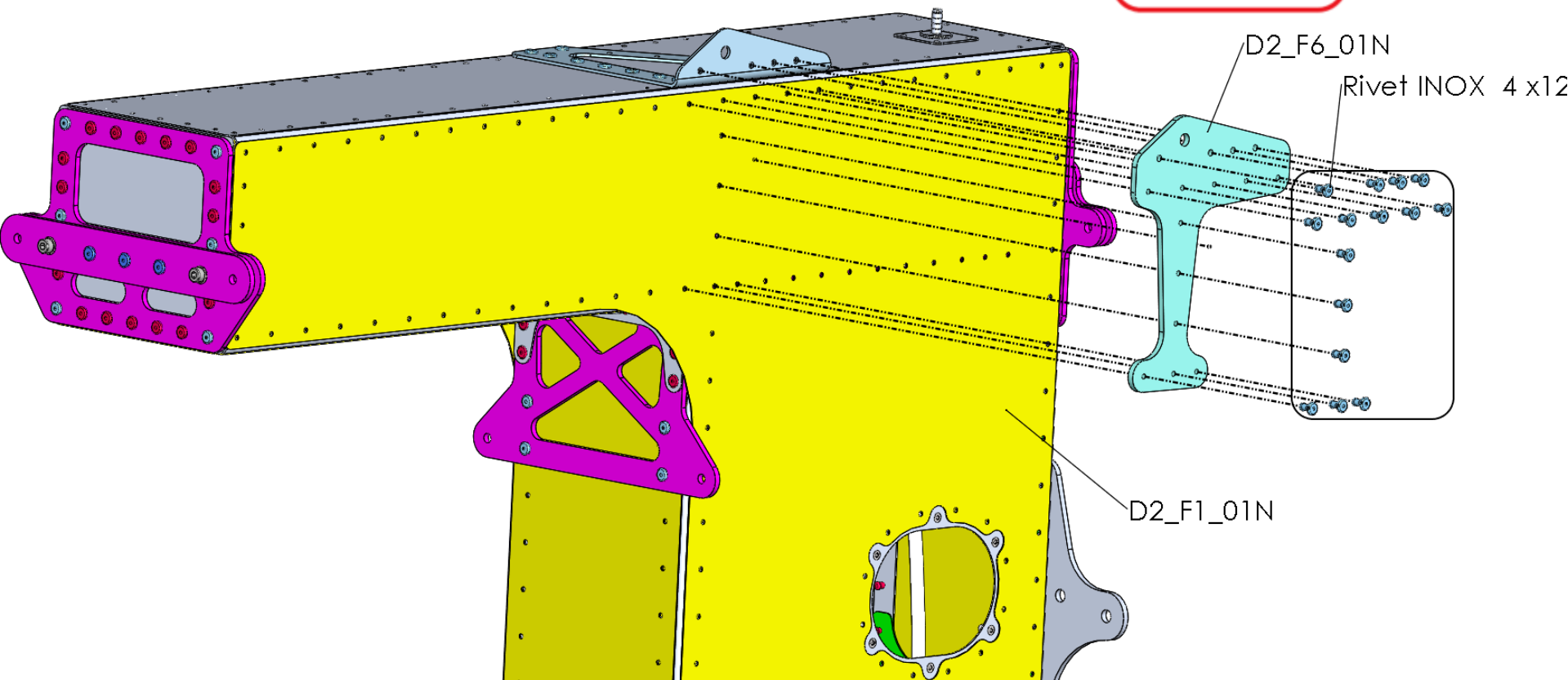


Title	Document no.	Revision	Page	Pages
Fuselage assembly manual	D2_F0_00	Rev. 03	341	414



15x Hole Ø4mm

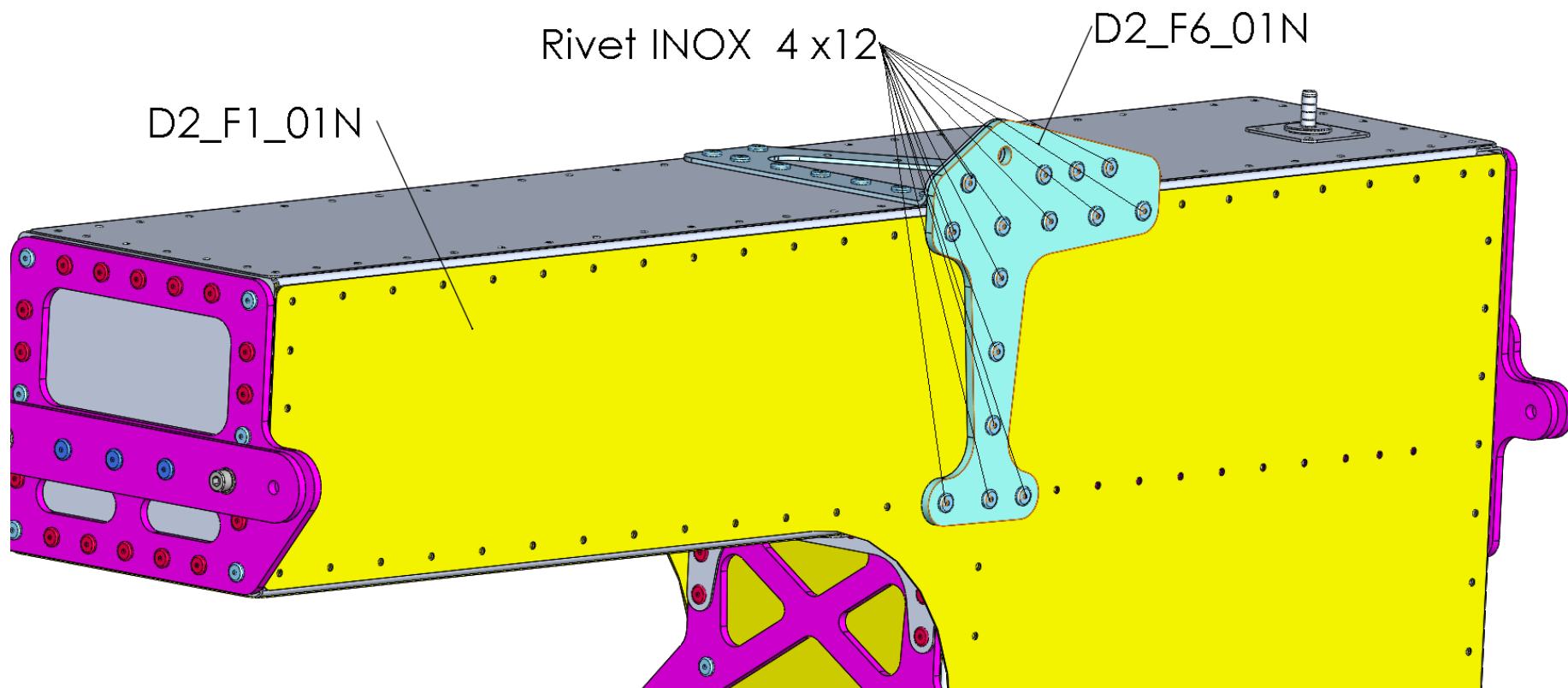
Step 7



Title	Document no.	Revision	Page	Pages
Fuselage assembly manual	D2_F0_00	Rev. 03	342	414



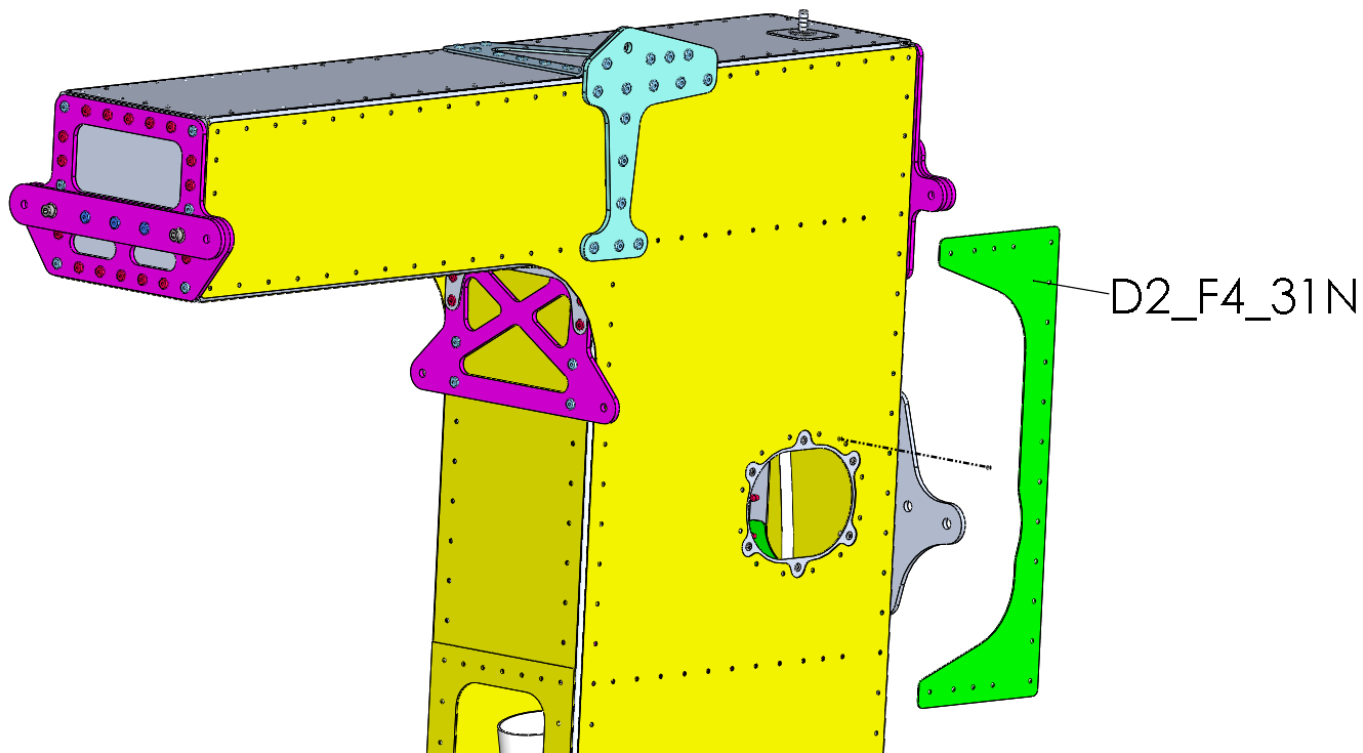
Step 8



Title	Document no.	Revision	Page	Pages
Fuselage assembly manual	D2_F0_00	Rev. 03	343	414



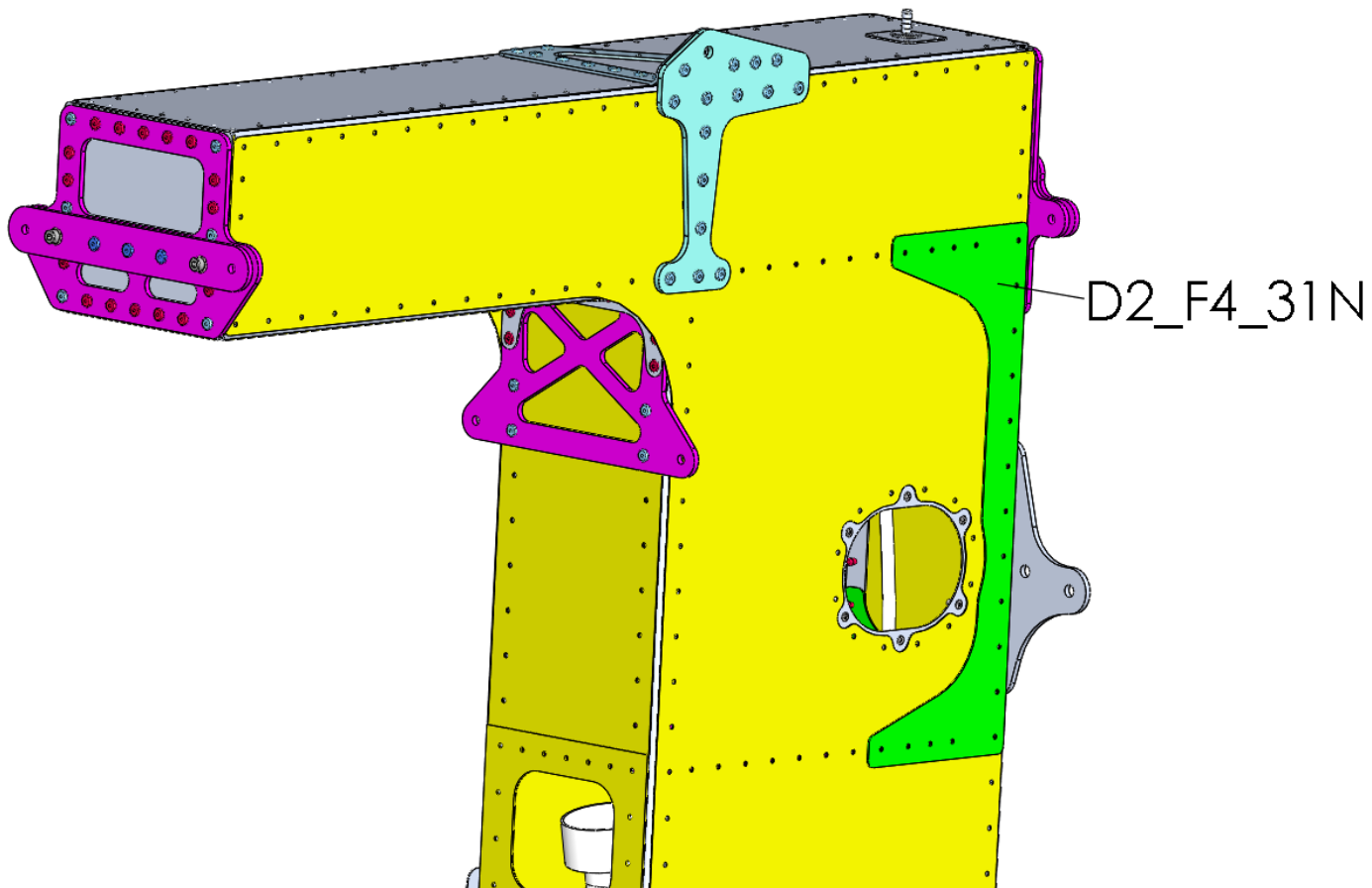
Step 9



Title	Document no.	Revision	Page	Pages
Fuselage assembly manual	D2_F0_00	Rev. 03	344	414



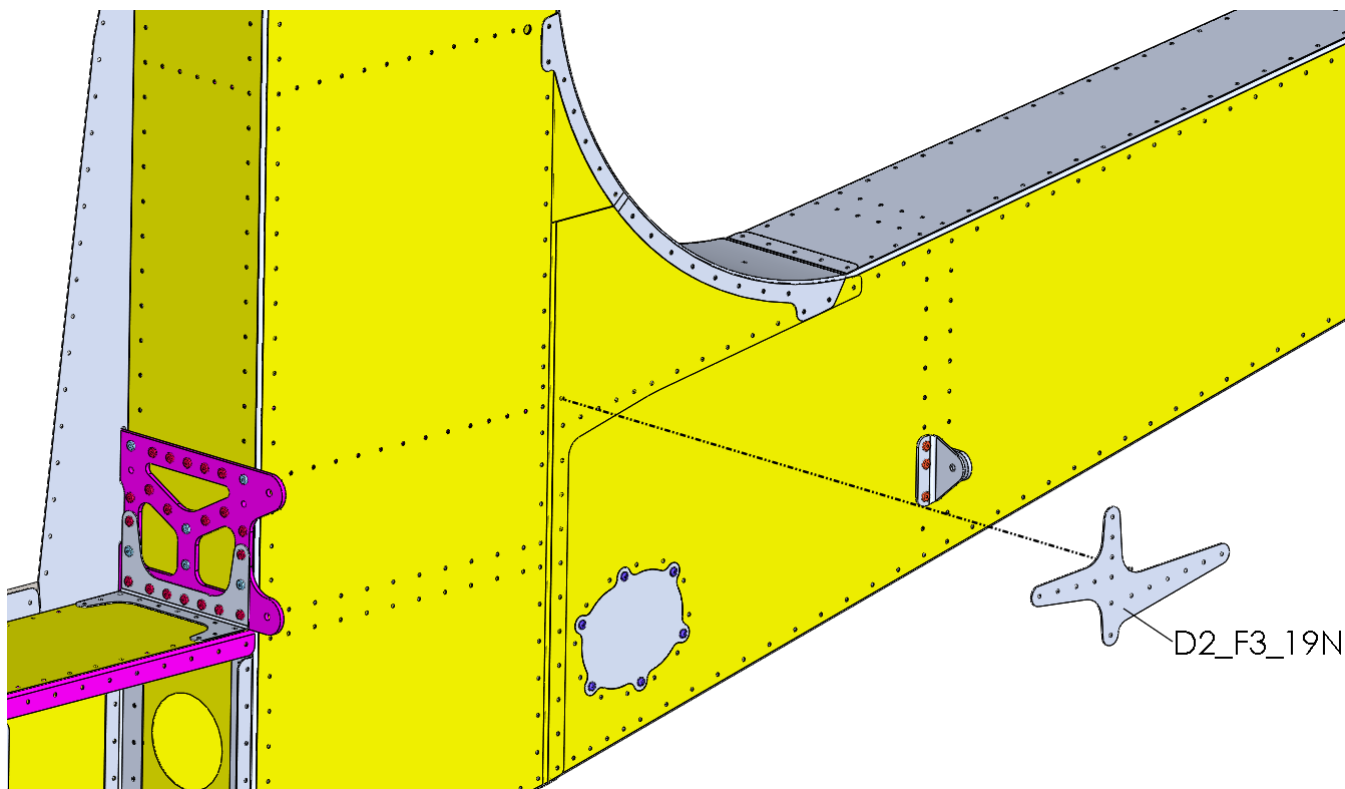
Step 10



Title	Document no.	Revision	Page	Pages
Fuselage assembly manual	D2_F0_00	Rev. 03	345	414



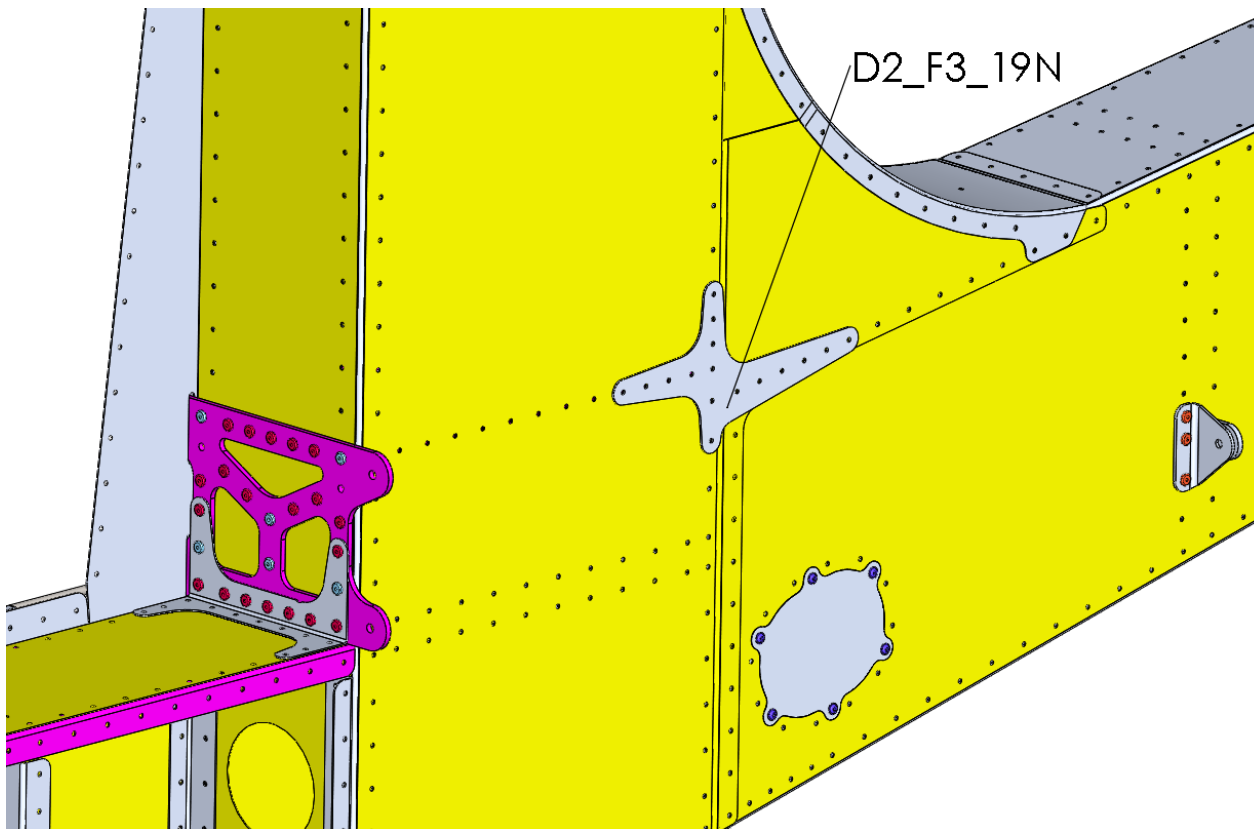
Step 11



Title	Document no.	Revision	Page	Pages
Fuselage assembly manual	D2_F0_00	Rev. 03	346	414



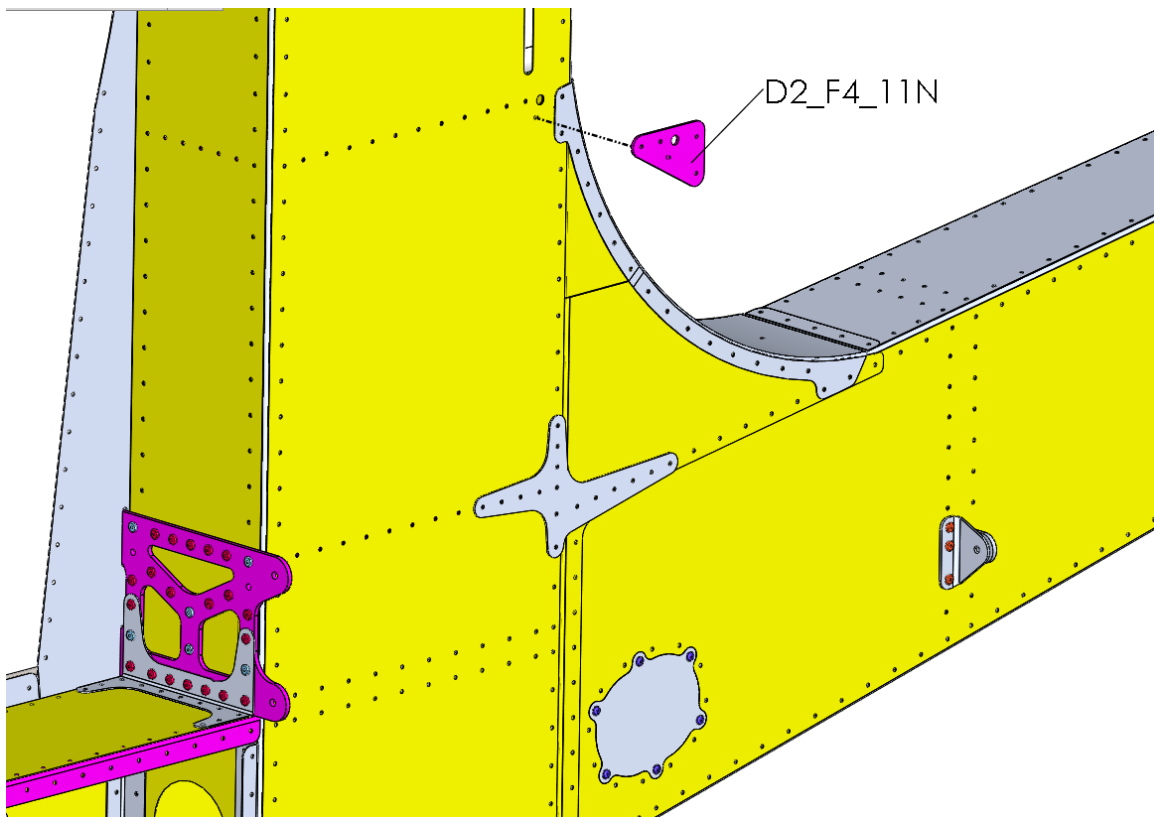
Step 12



Title	Document no.	Revision	Page	Pages
Fuselage assembly manual	D2_F0_00	Rev. 03	347	414



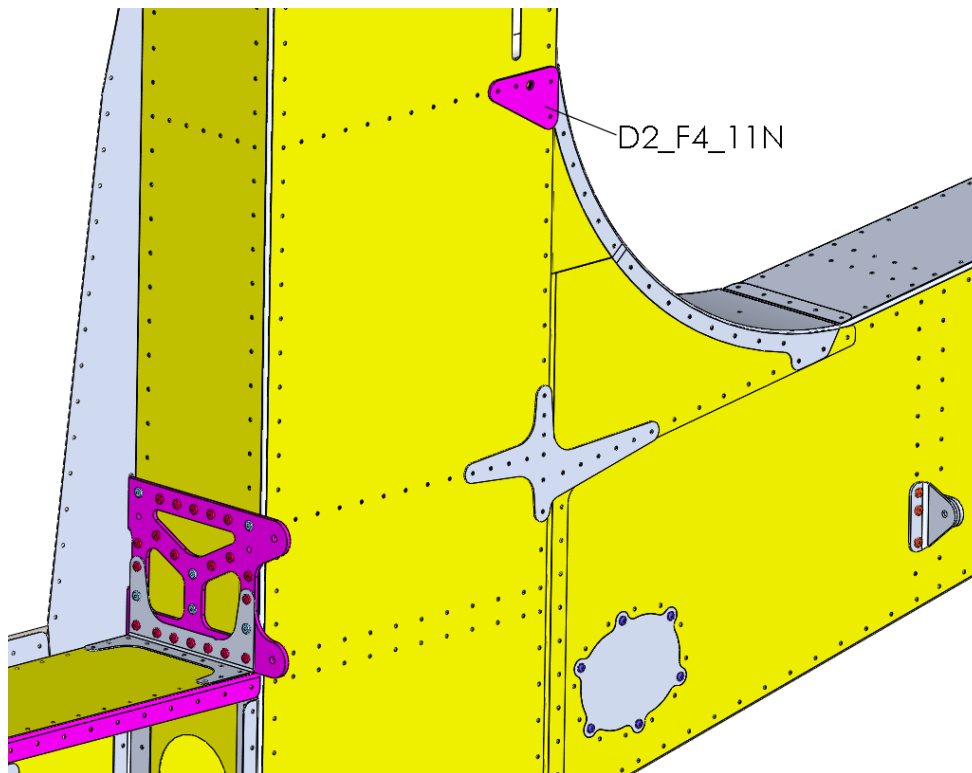
Step 13



Title	Document no.	Revision	Page	Pages
Fuselage assembly manual	D2_F0_00	Rev. 03	348	414



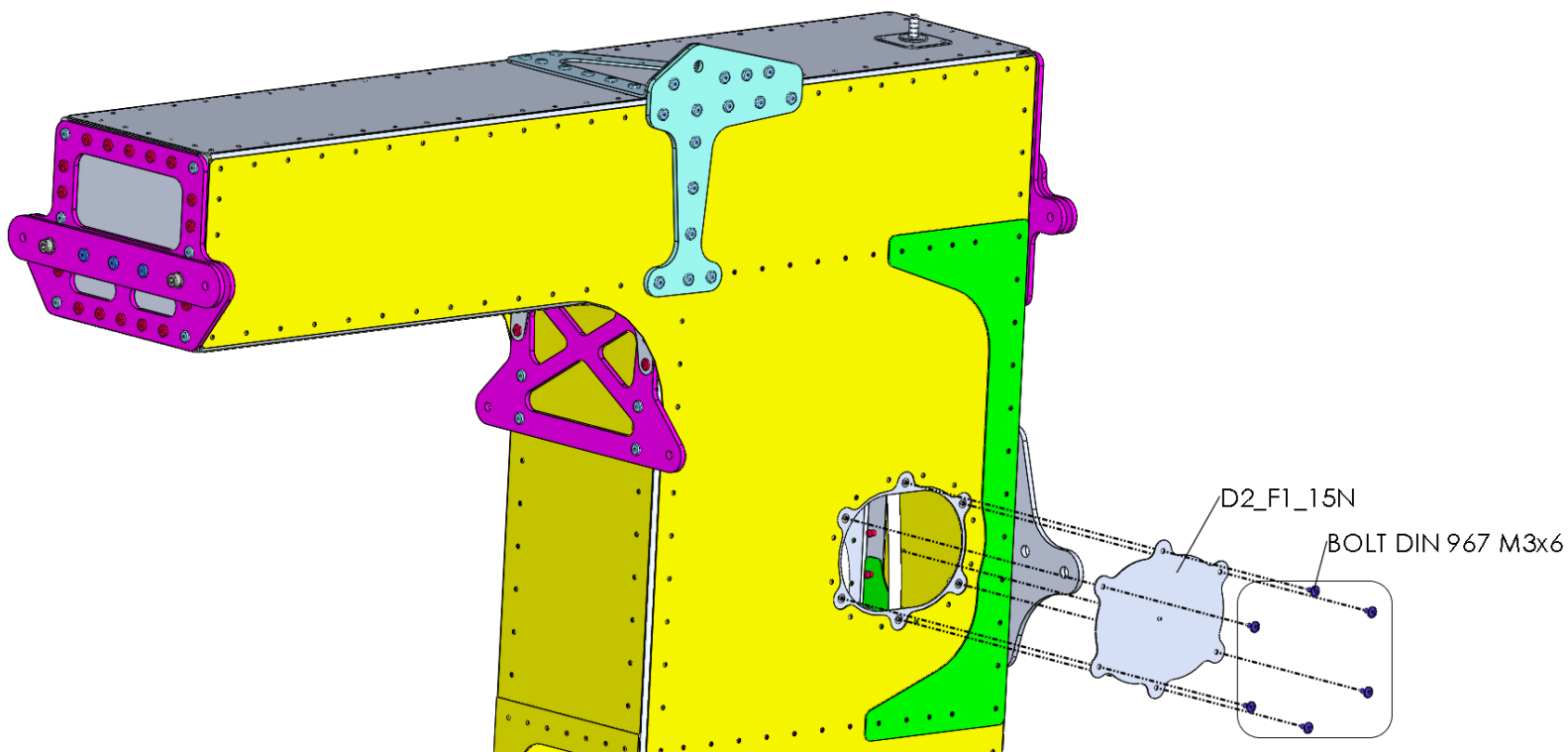
Step 14



Title	Document no.	Revision	Page	Pages
Fuselage assembly manual	D2_F0_00	Rev. 03	349	414



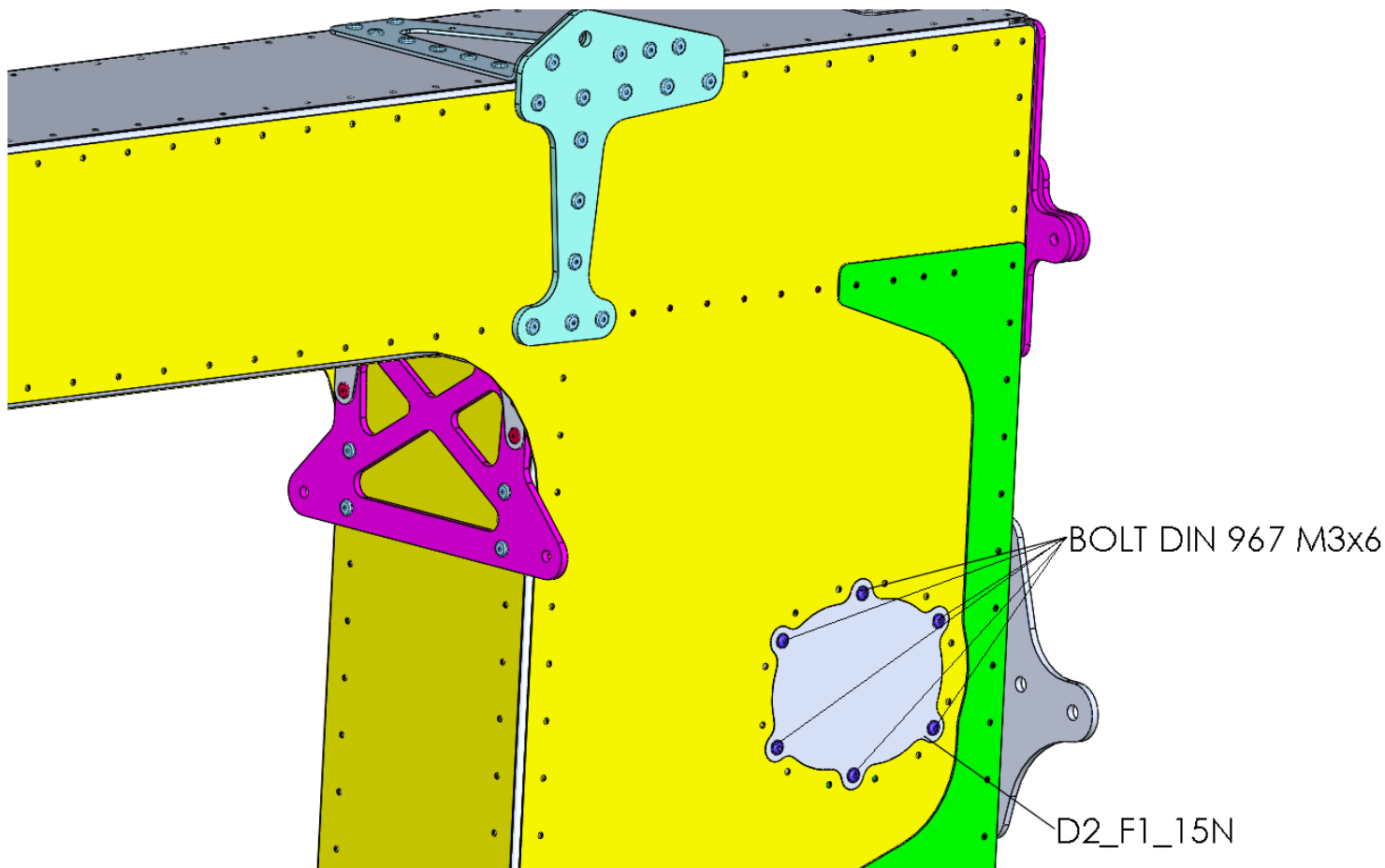
Step 15



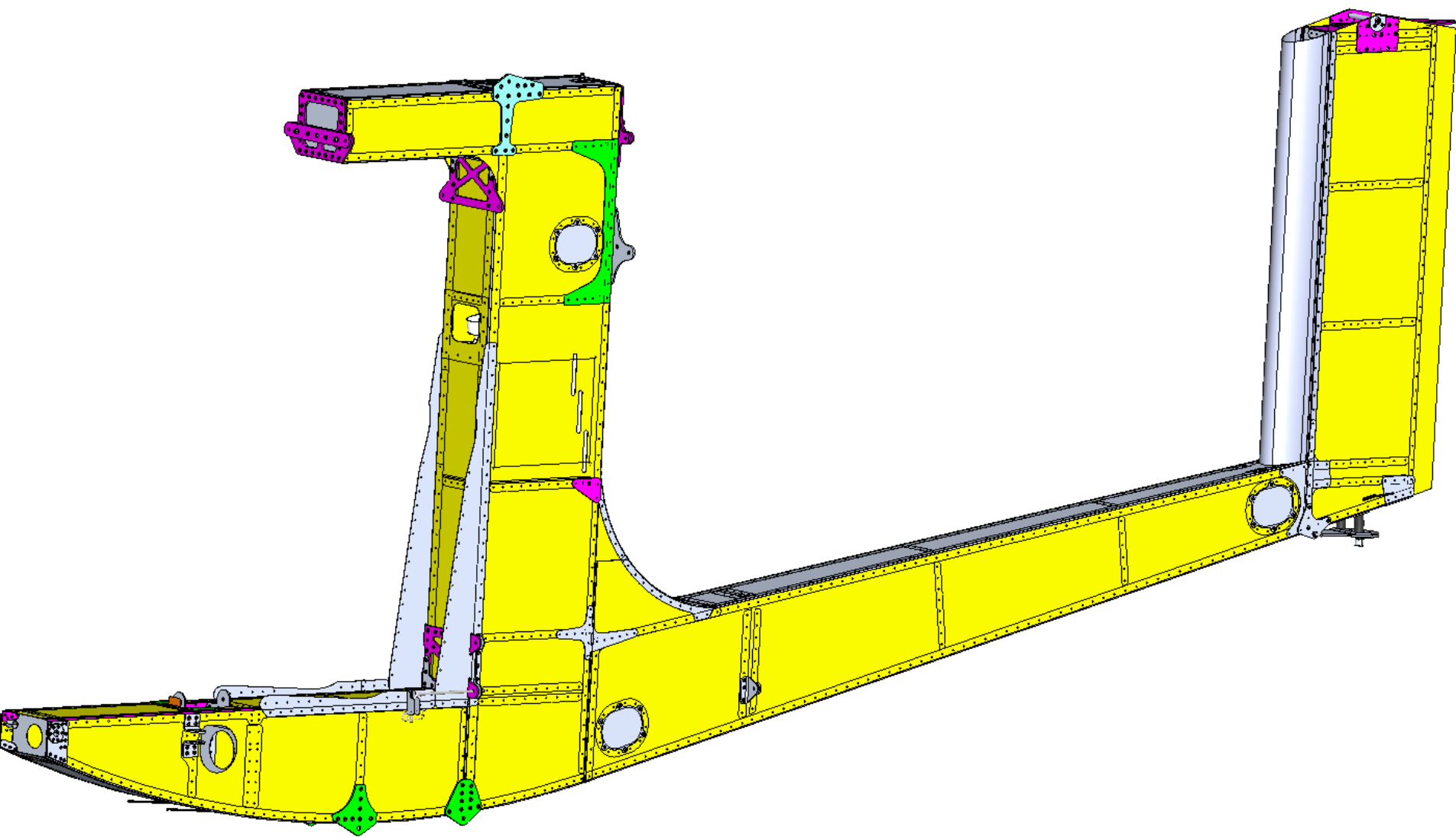
Title	Document no.	Revision	Page	Pages
Fuselage assembly manual	D2_F0_00	Rev. 03	350	414



Step 16



Title	Document no.	Revision	Page	Pages
Fuselage assembly manual	D2_F0_00	Rev. 03	351	414

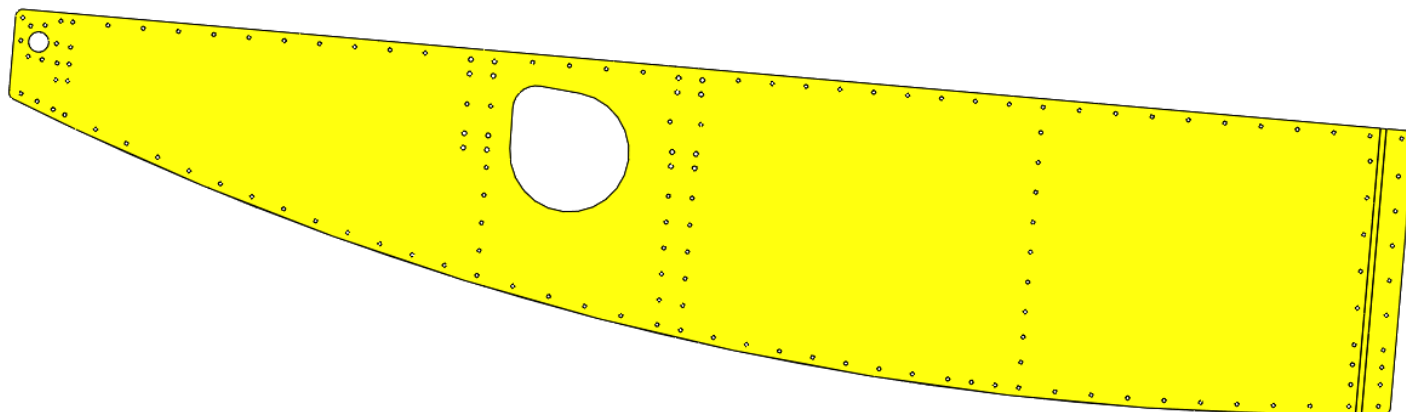


Title	Document no.	Revision	Page	Pages
Fuselage assembly manual	D2_F0_00	Rev. 03	352	414



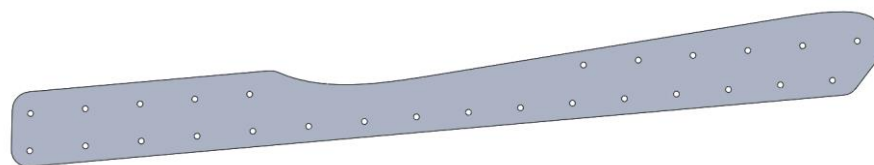
Detail: D2_F1_03L

Quantity: 1



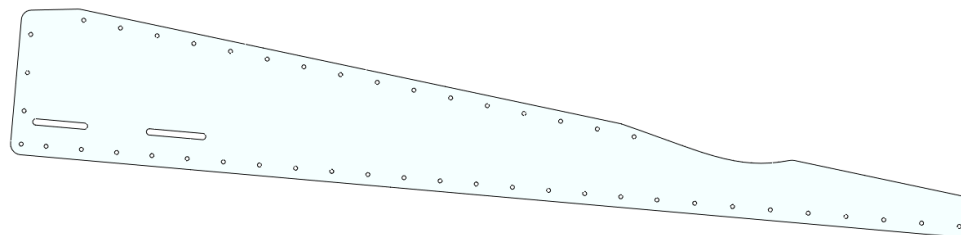
Detail: D2_F1_21N

Quantity: 1



Detail: D2_F1_22N

Quantity: 1

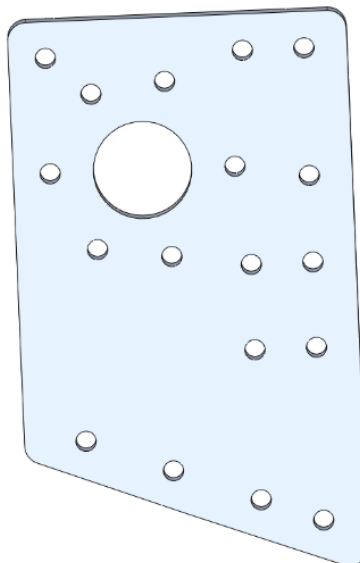


Title	Document no.	Revision	Page	Pages
Fuselage assembly manual	D2_F0_00	Rev. 03	353	414



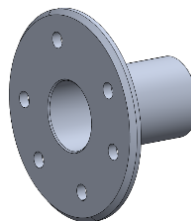
Detail: D2_F4_13N

Quantity: 1



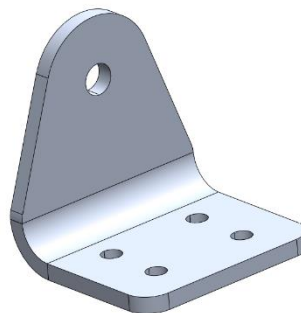
Detail: D2_F4_14N

Quantity: 1



Detail: D2_F4_17N

Quantity: 2

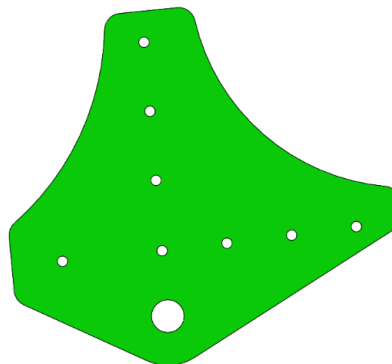


Title	Document no.	Revision	Page	Pages
Fuselage assembly manual	D2_F0_00	Rev. 03	354	414



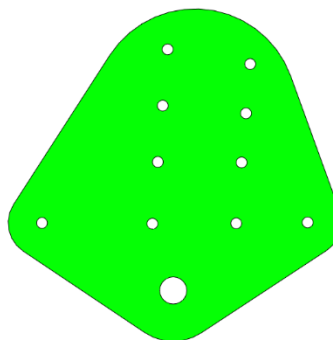
Detail: D2_F4_18N

Quantity: 1



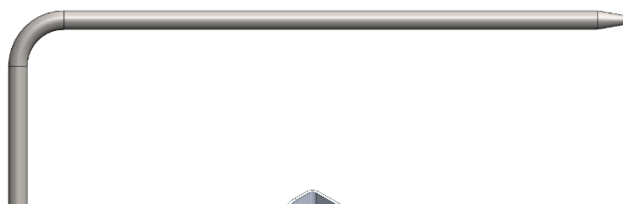
Detail: D2_F4_19N

Quantity: 1



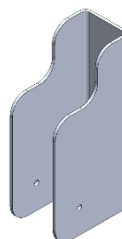
Detail: D2_F4_35N

Quantity: 1



Detail: D2_F4_36N

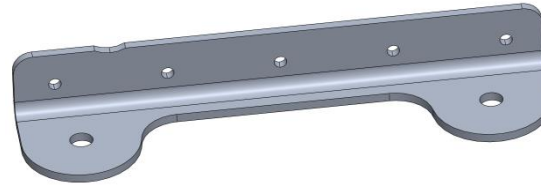
Quantity: 1



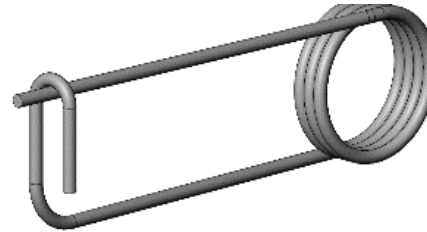
Title	Document no.	Revision	Page	Pages
Fuselage assembly manual	D2_F0_00	Rev. 03	355	414



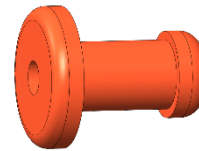
Detail: D2_F4_12L
Quantity: 1



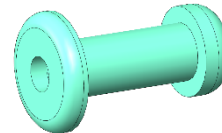
Detail: 90026A103_18-8 Stainless Steel Strong-Hold
Wire-Snap Cotter Pin
Quantity: 1



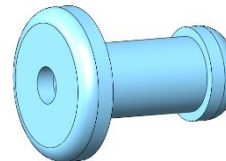
Detail: Rivet Al 4 x 9.5
Quantity: 18



Detail: Rivet Al 3.2 x11.2
Quantity: 18



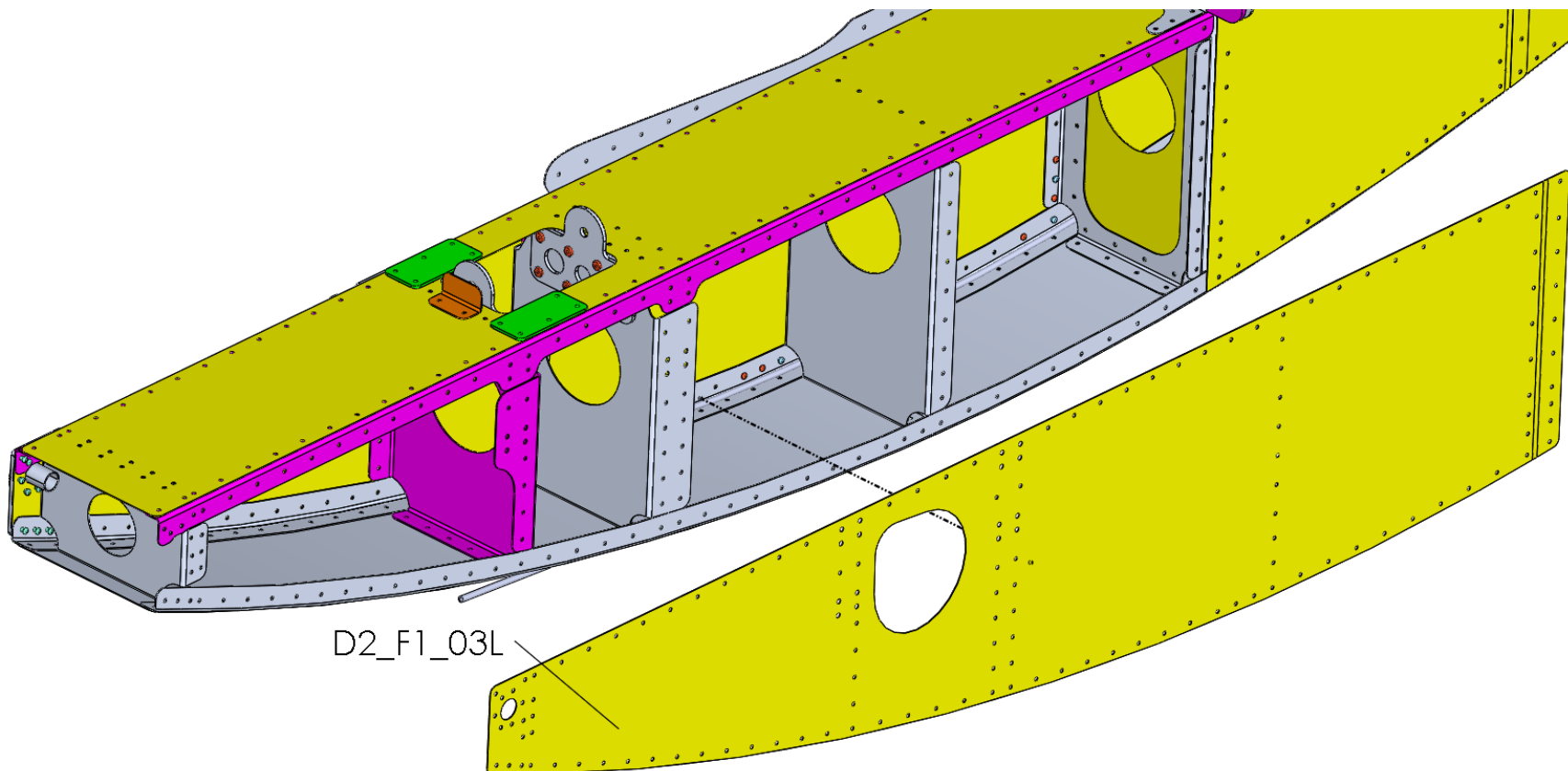
Detail: Rivet INOX 4 x12
Quantity: 8



Title	Document no.	Revision	Page	Pages
Fuselage assembly manual	D2_F0_00	Rev. 03	356	414



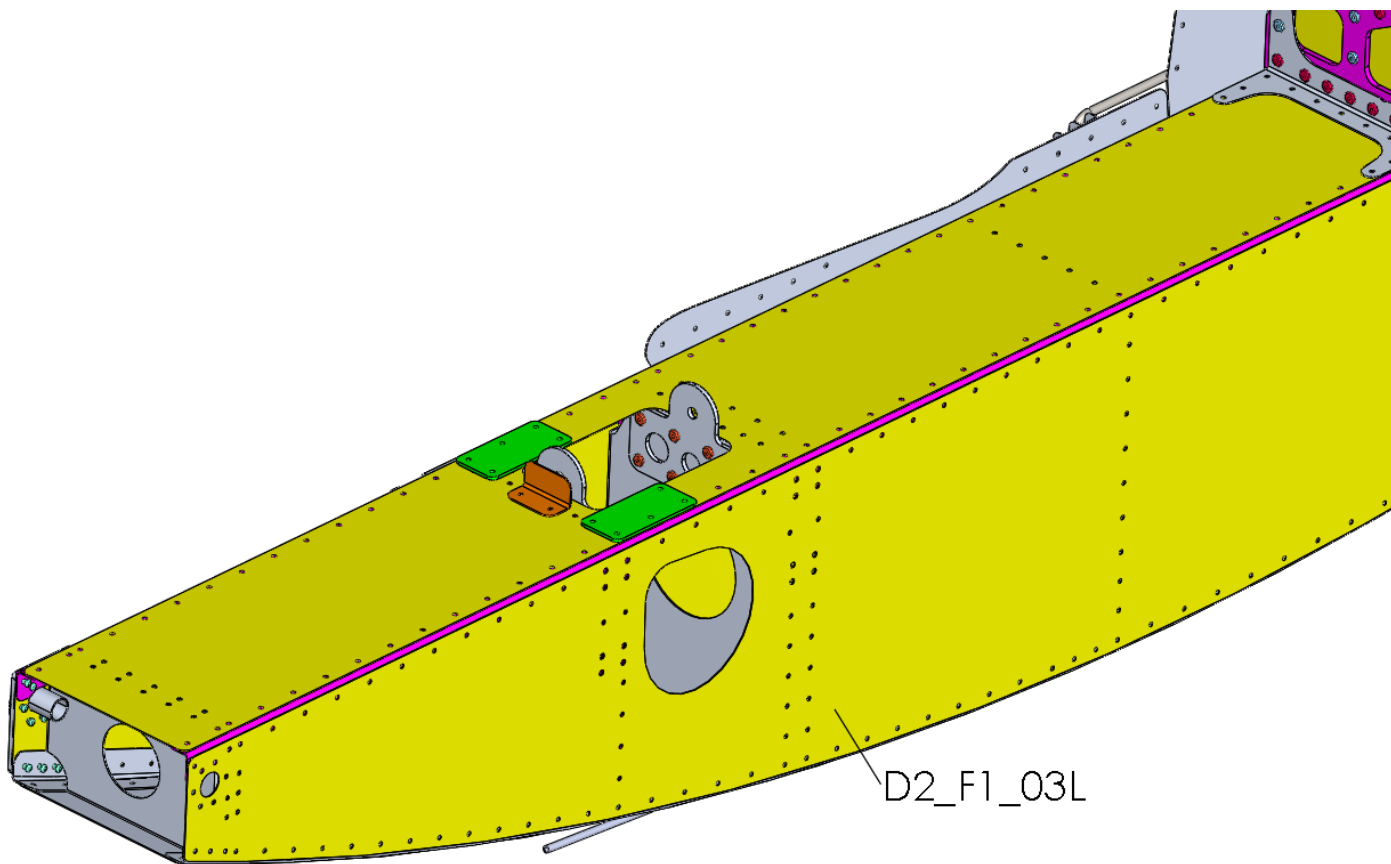
Step 1



Title	Document no.	Revision	Page	Pages
Fuselage assembly manual	D2_F0_00	Rev. 03	357	414



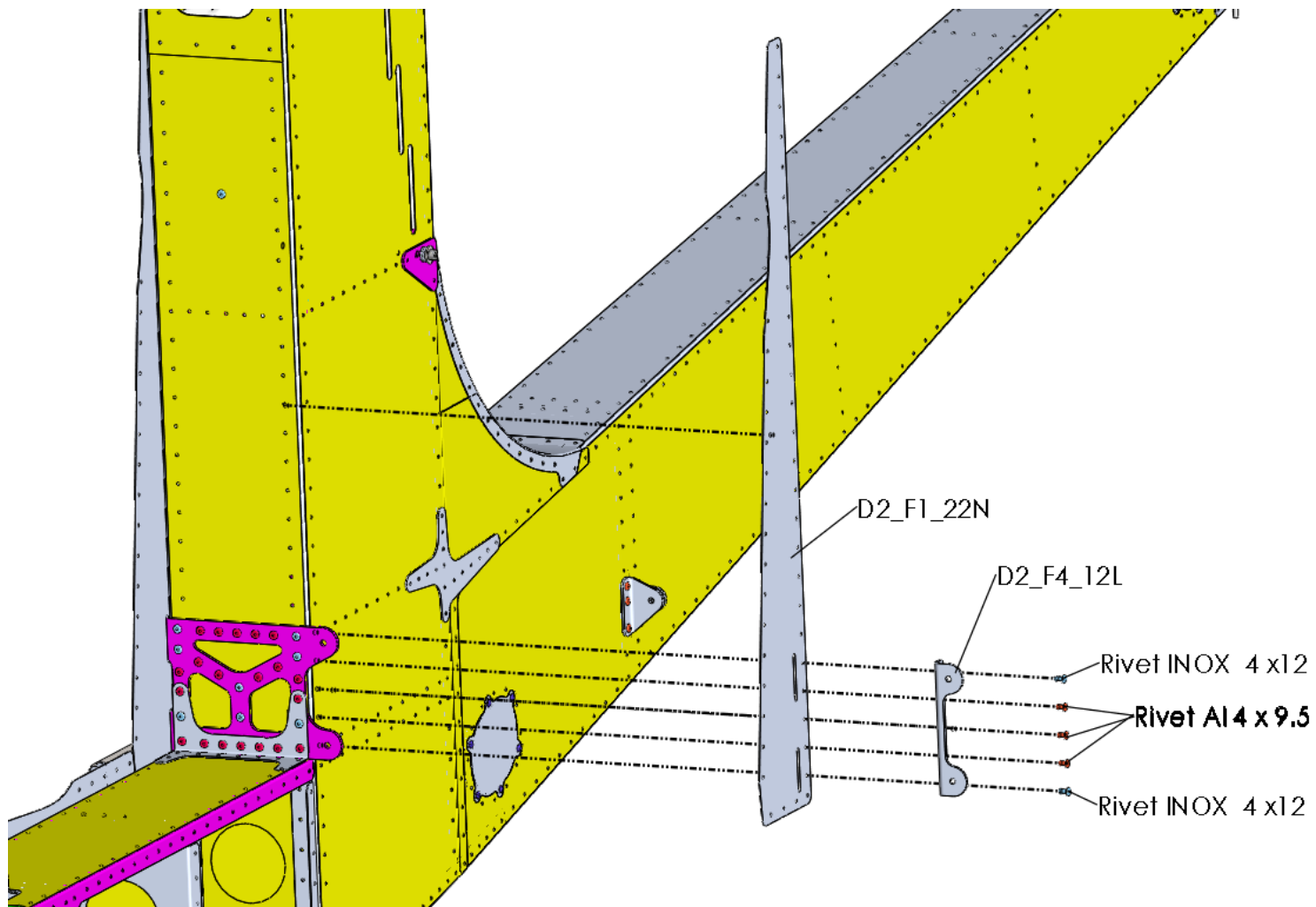
Step 2



Title	Document no.	Revision	Page	Pages
Fuselage assembly manual	D2_F0_00	Rev. 03	358	414



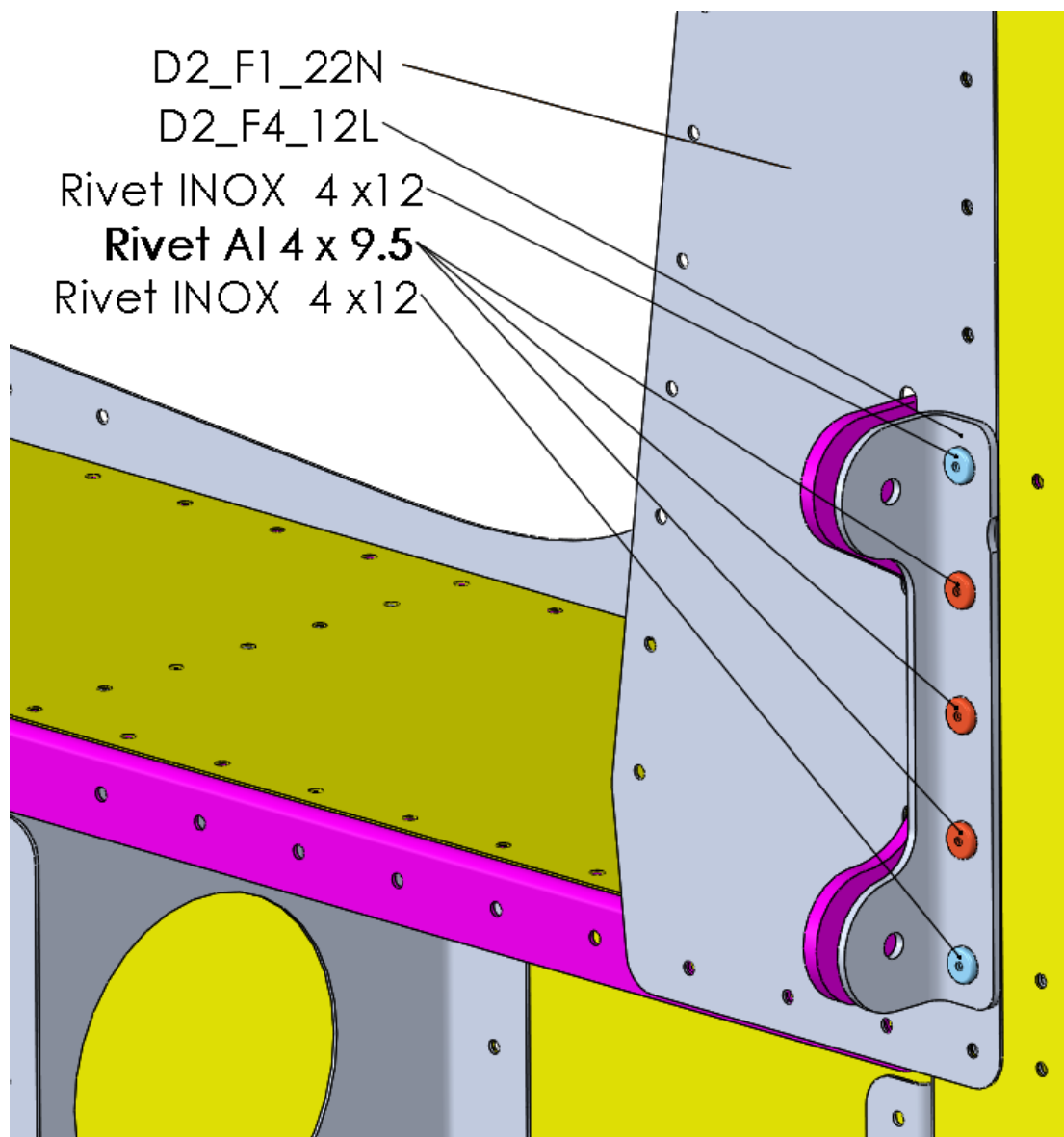
Step 3



Title	Document no.	Revision	Page	Pages
Fuselage assembly manual	D2_F0_00	Rev. 03	359	414



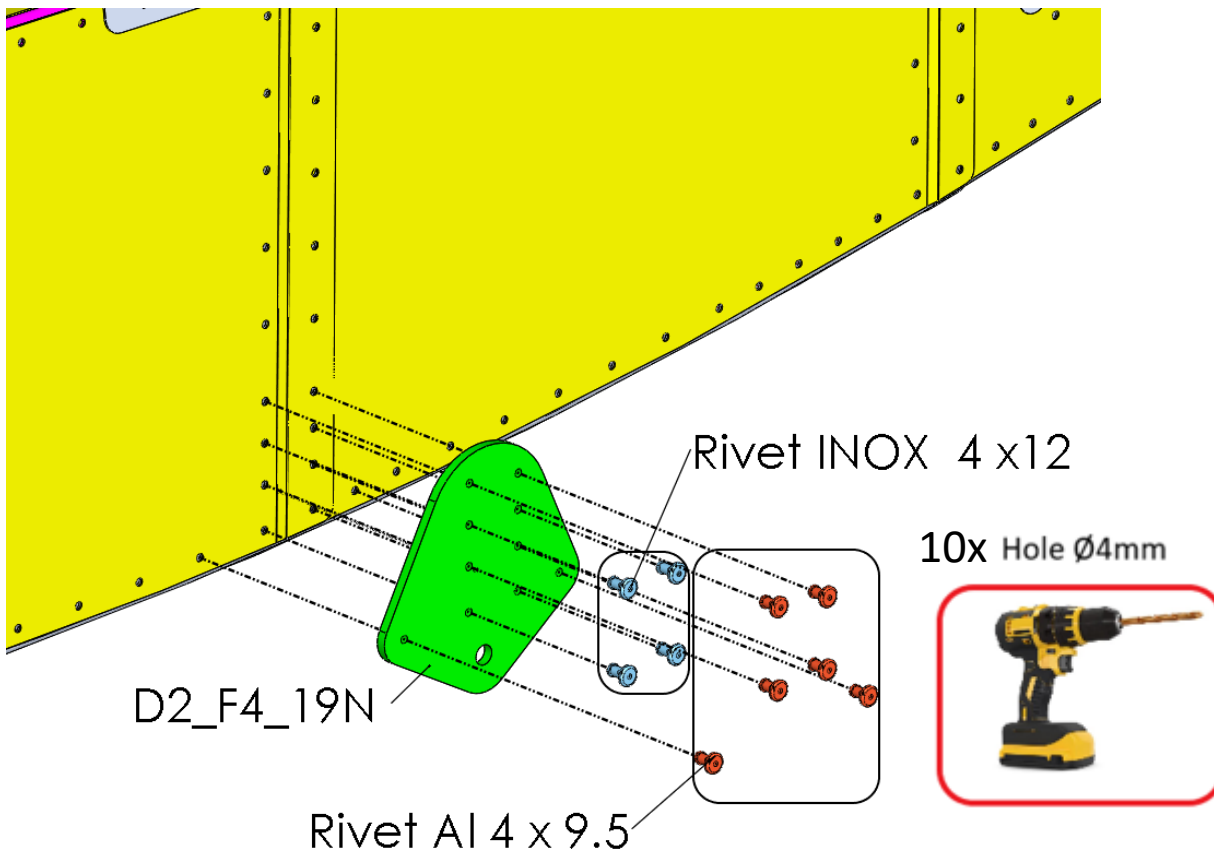
Step 4



Title	Document no.	Revision	Page	Pages
Fuselage assembly manual	D2_F0_00	Rev. 03	360	414



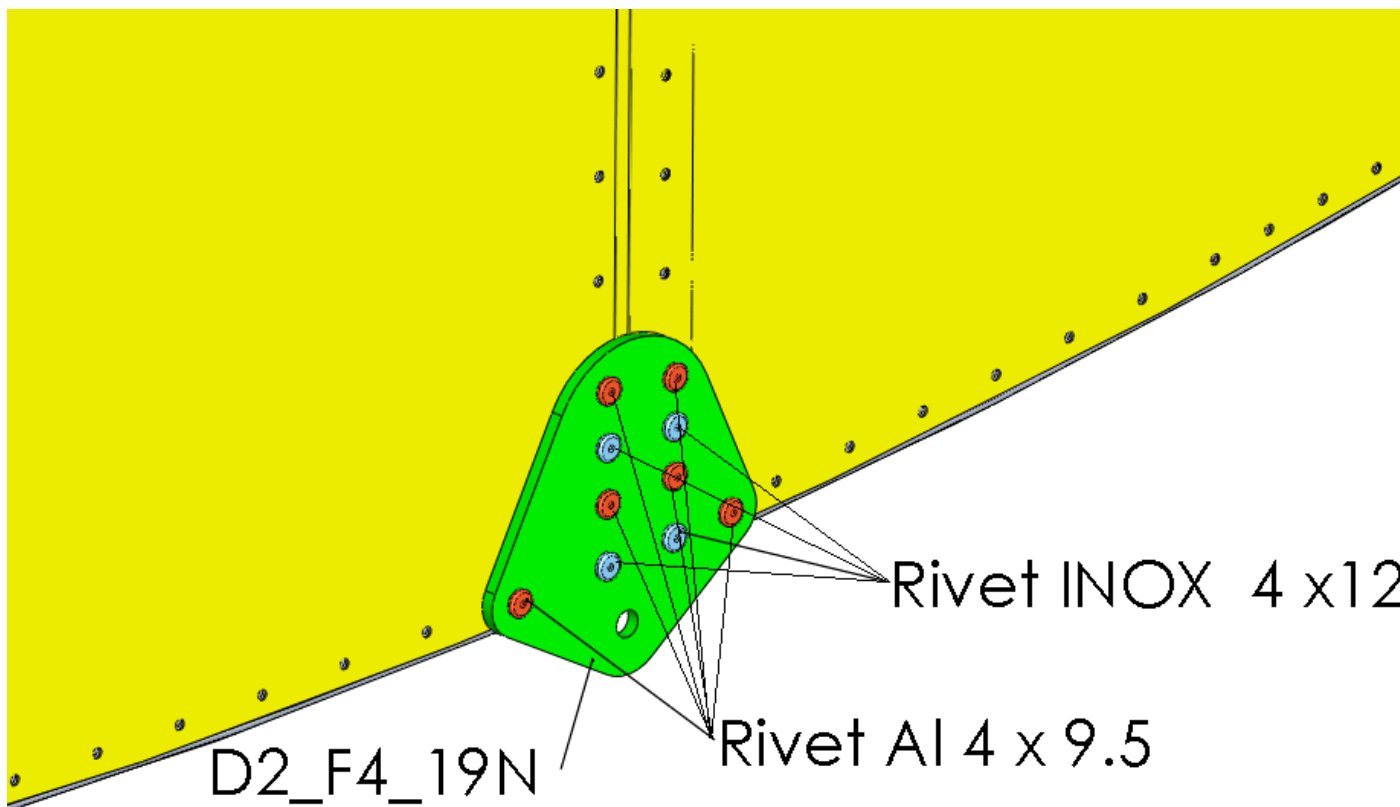
Step 5



Title	Document no.	Revision	Page	Pages
Fuselage assembly manual	D2_F0_00	Rev. 03	361	414



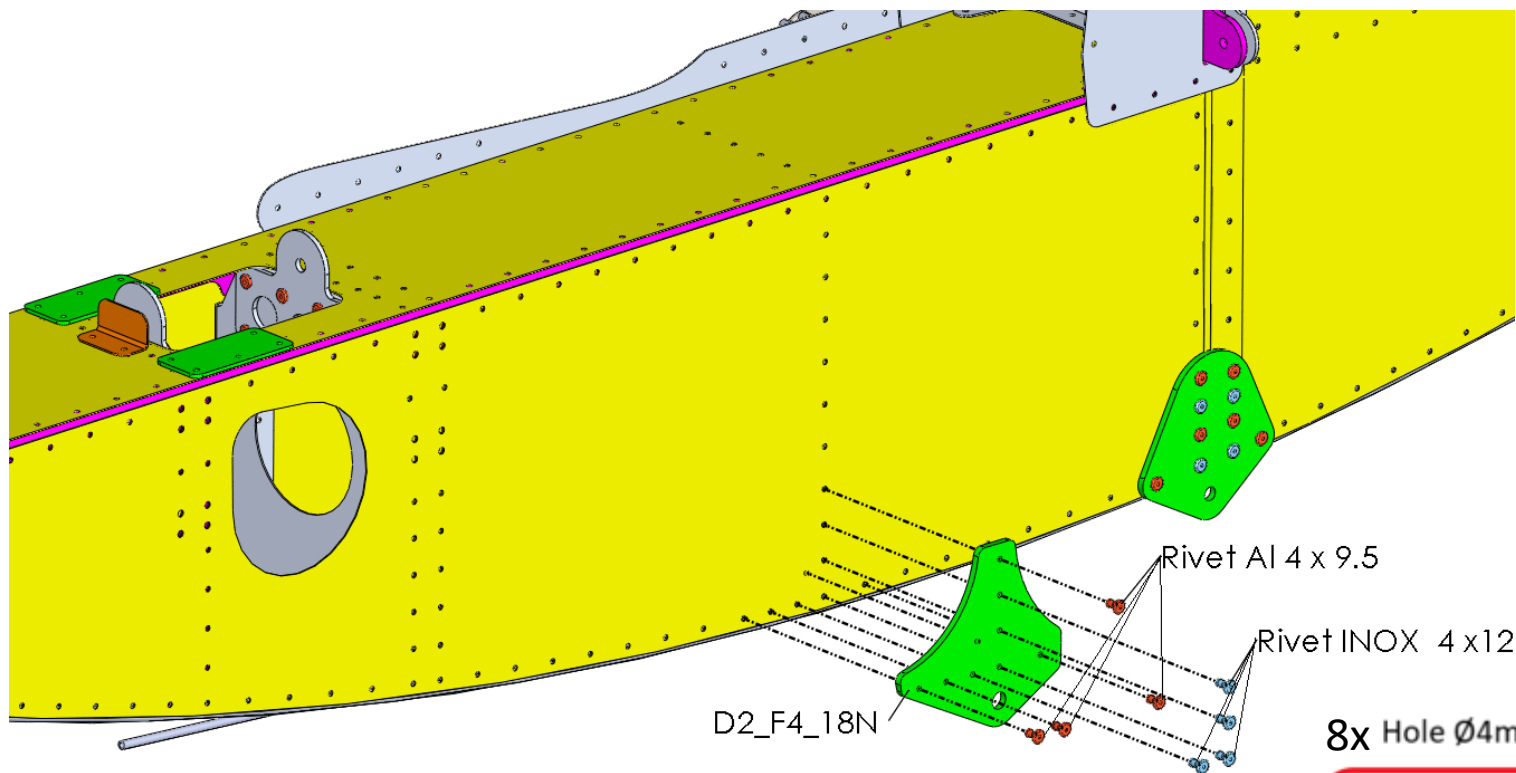
Step 6



Title	Document no.	Revision	Page	Pages
Fuselage assembly manual	D2_F0_00	Rev. 03	362	414



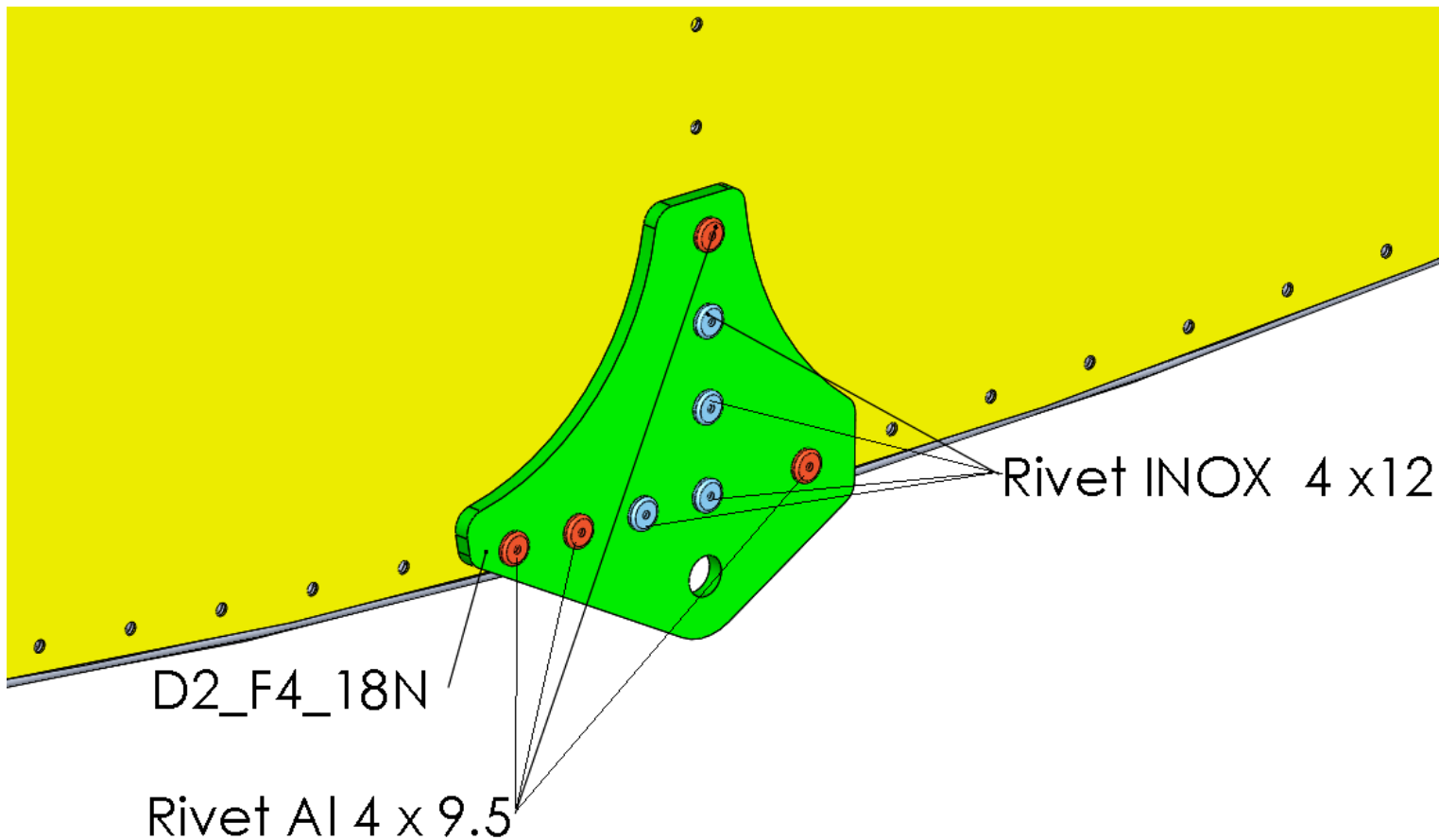
Step 7



Title	Document no.	Revision	Page	Pages
Fuselage assembly manual	D2_F0_00	Rev. 03	363	414



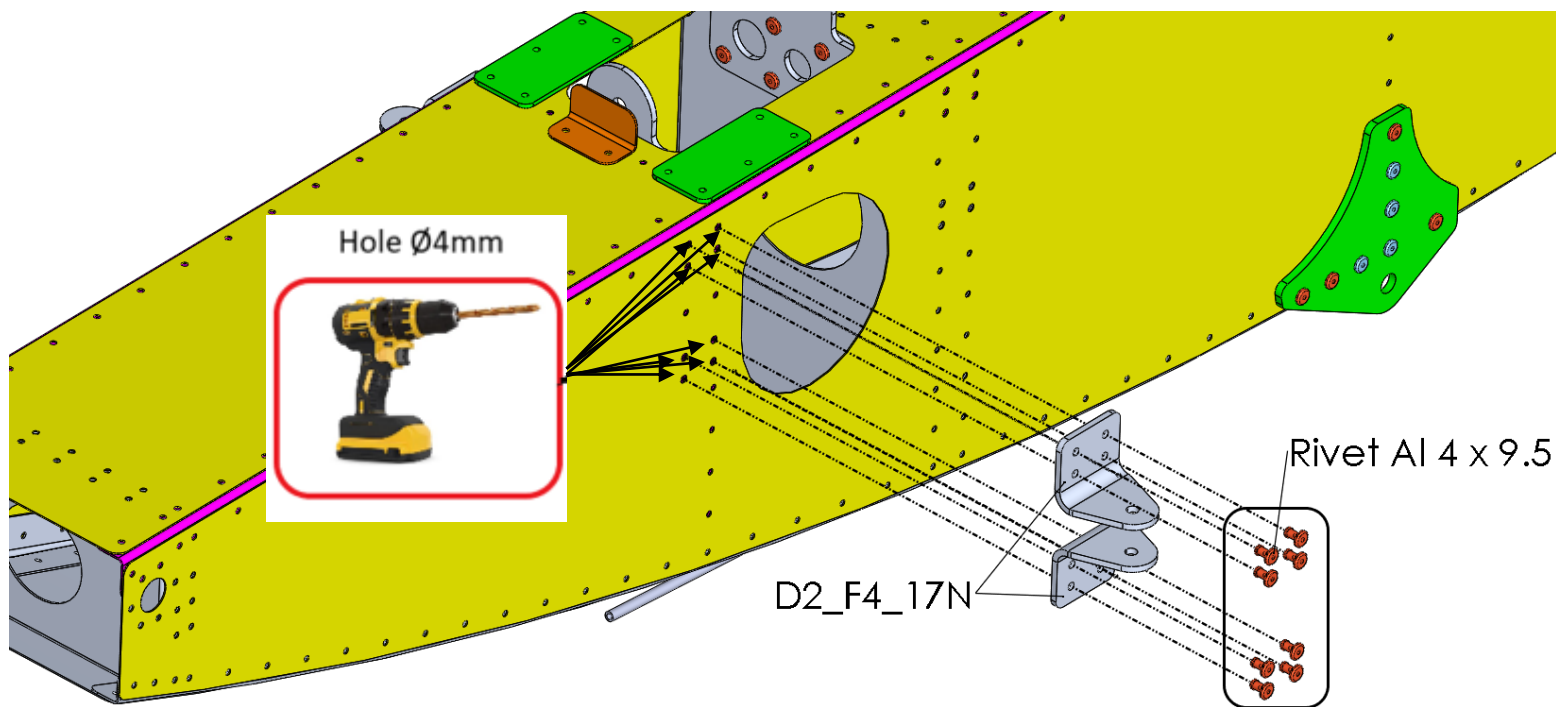
Step 8



Title	Document no.	Revision	Page	Pages
Fuselage assembly manual	D2_F0_00	Rev. 03	364	414



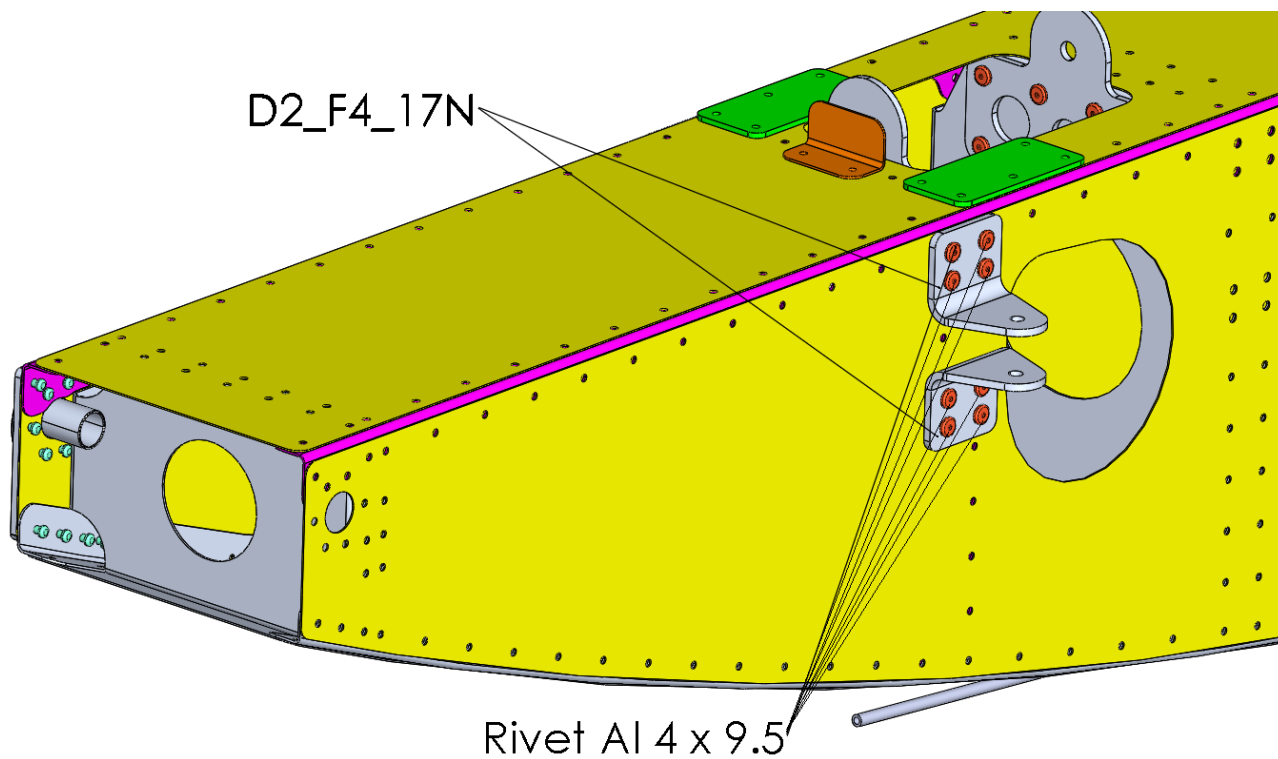
Step 9



Title	Document no.	Revision	Page	Pages
Fuselage assembly manual	D2_F0_00	Rev. 03	365	414



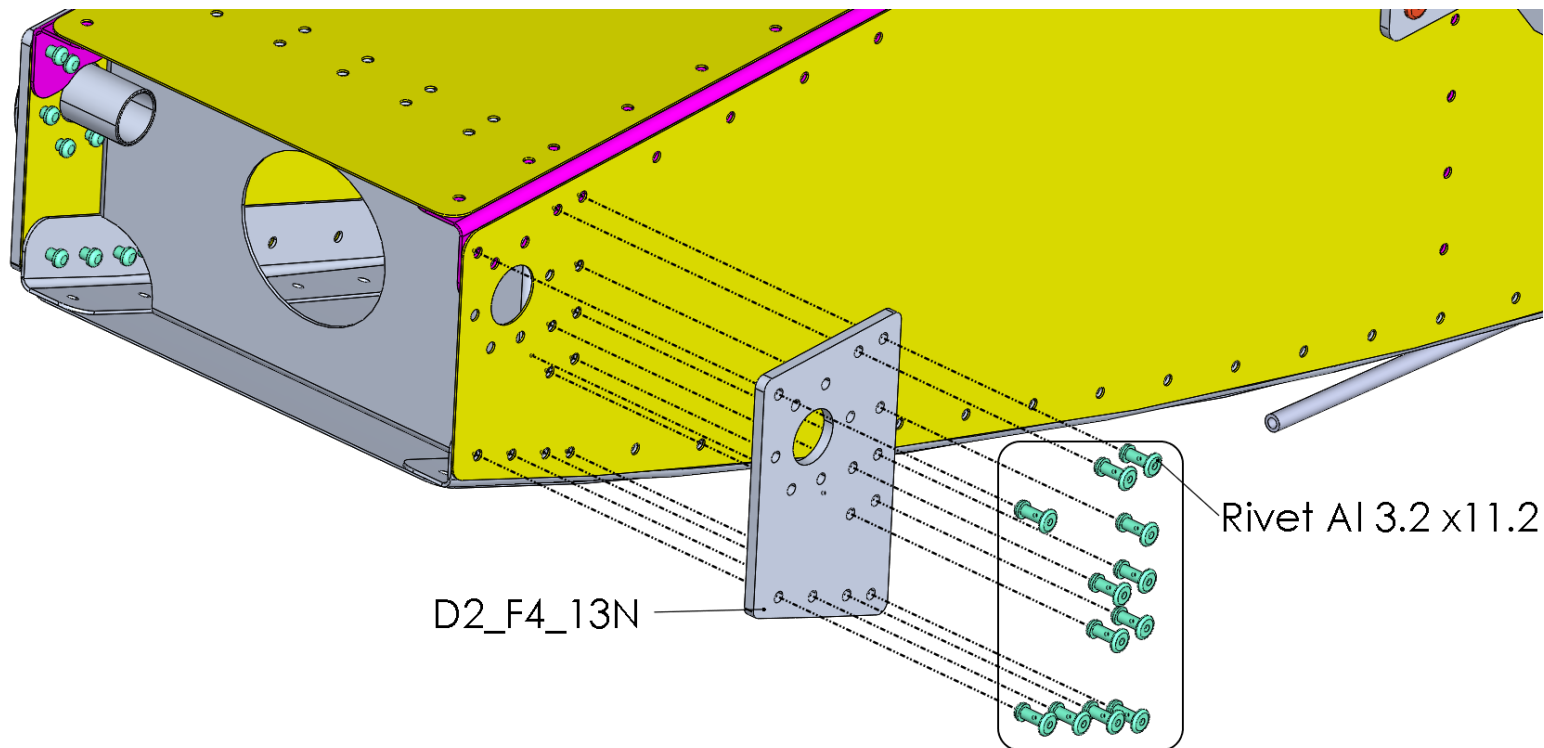
Step 10



Title	Document no.	Revision	Page	Pages
Fuselage assembly manual	D2_F0_00	Rev. 03	366	414



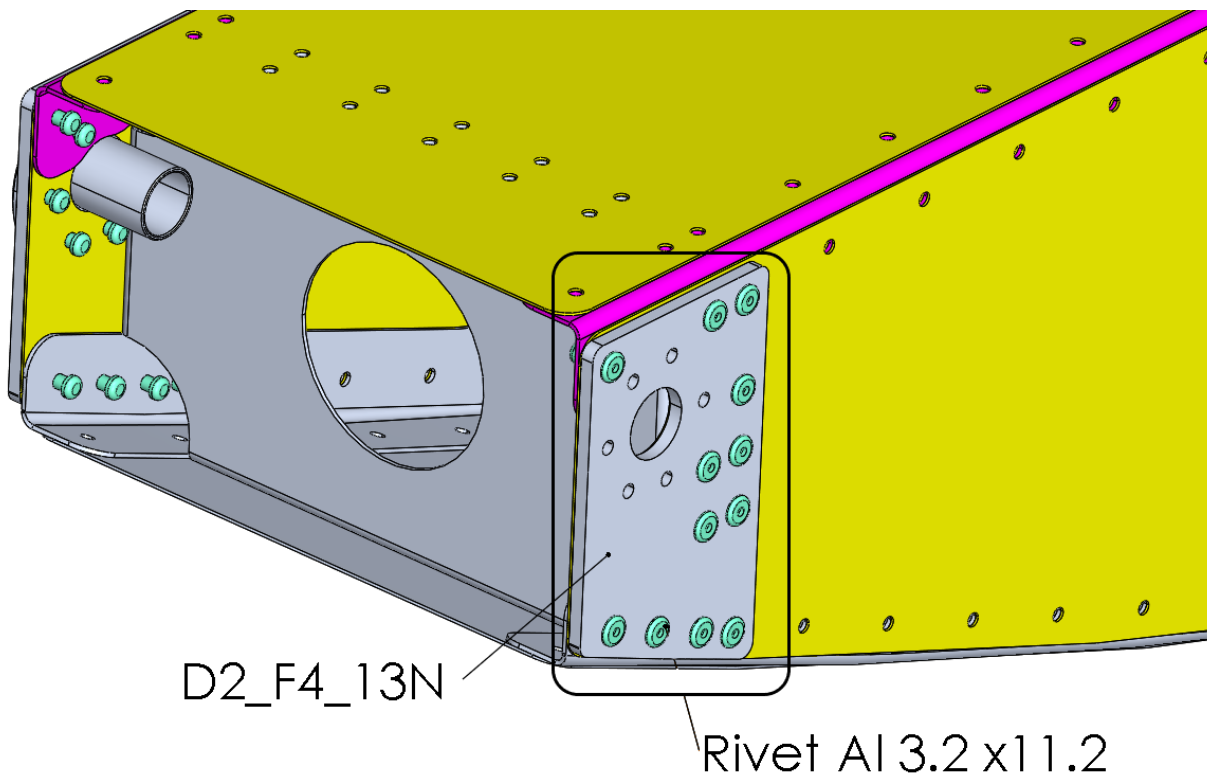
Step 11



Title	Document no.	Revision	Page	Pages
Fuselage assembly manual	D2_F0_00	Rev. 03	367	414



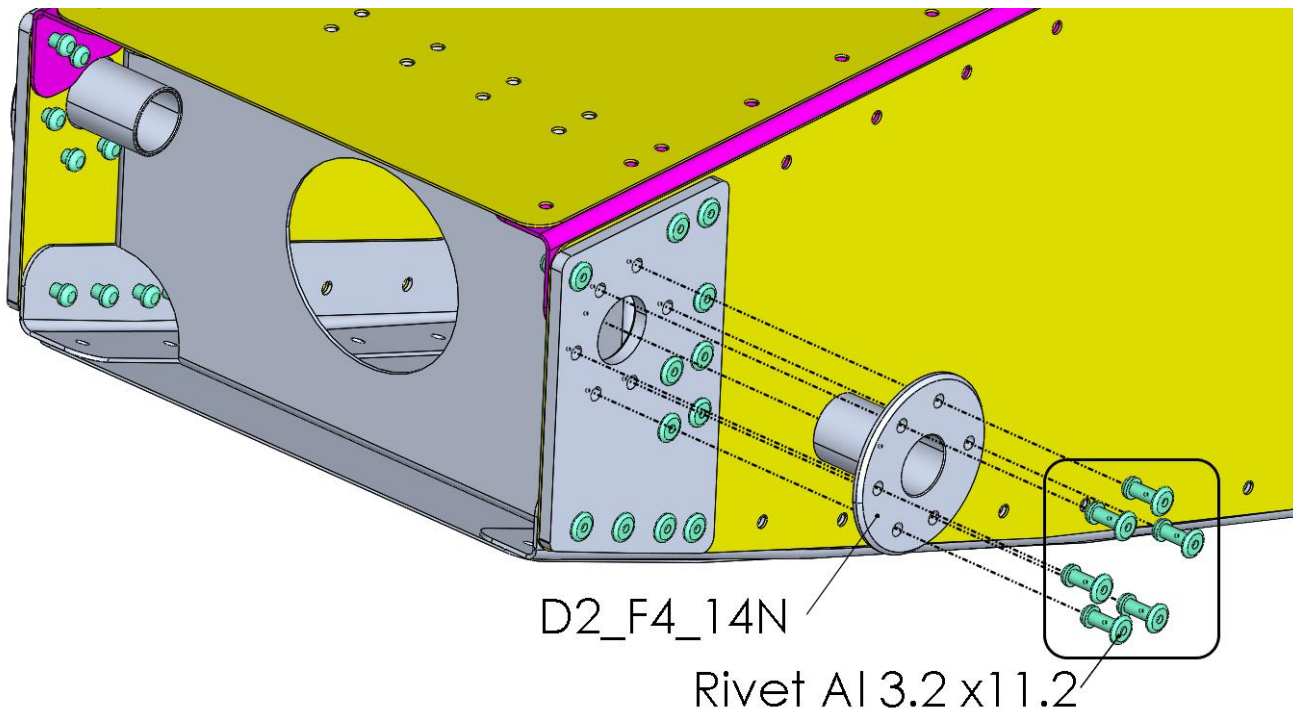
Step 12



Title	Document no.	Revision	Page	Pages
Fuselage assembly manual	D2_F0_00	Rev. 03	368	414



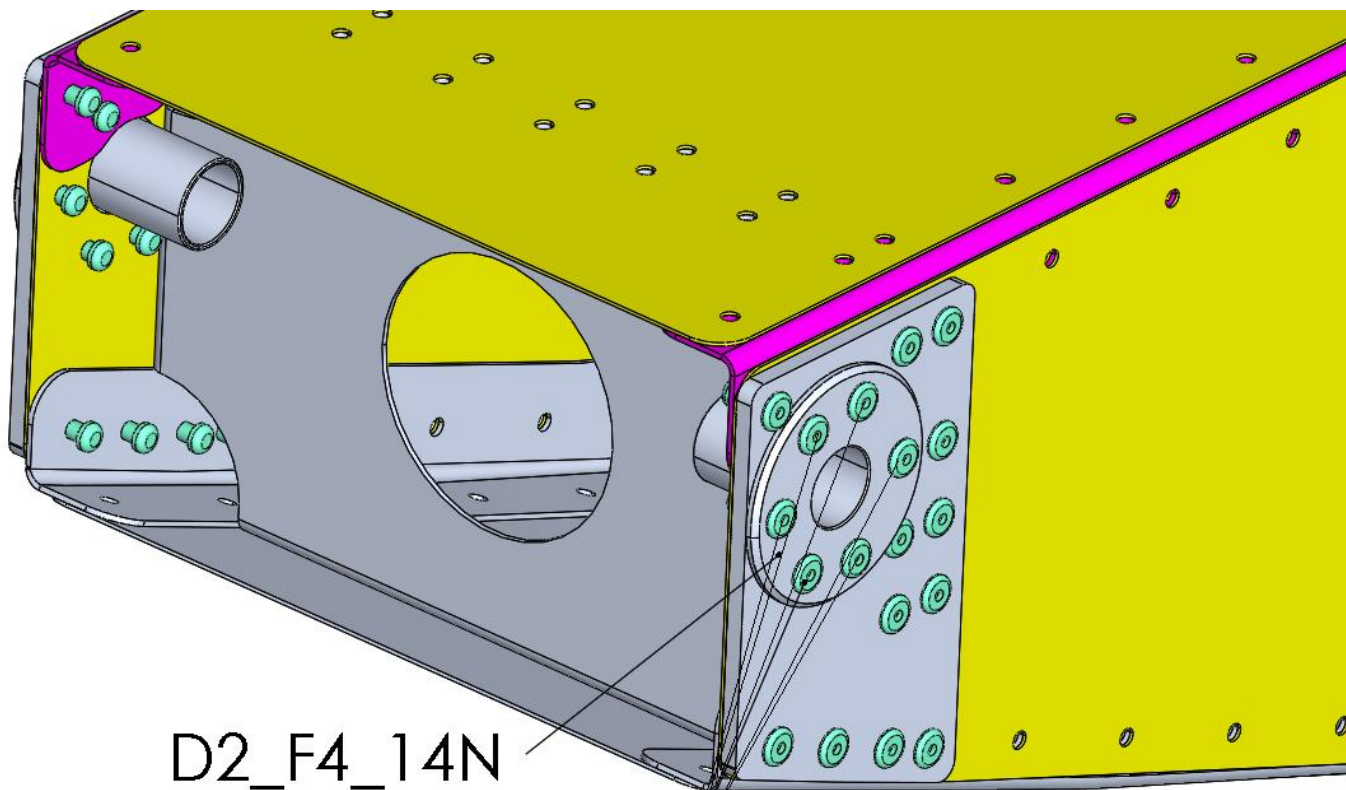
Step 13



Title	Document no.	Revision	Page	Pages
Fuselage assembly manual	D2_F0_00	Rev. 03	369	414



Step 14



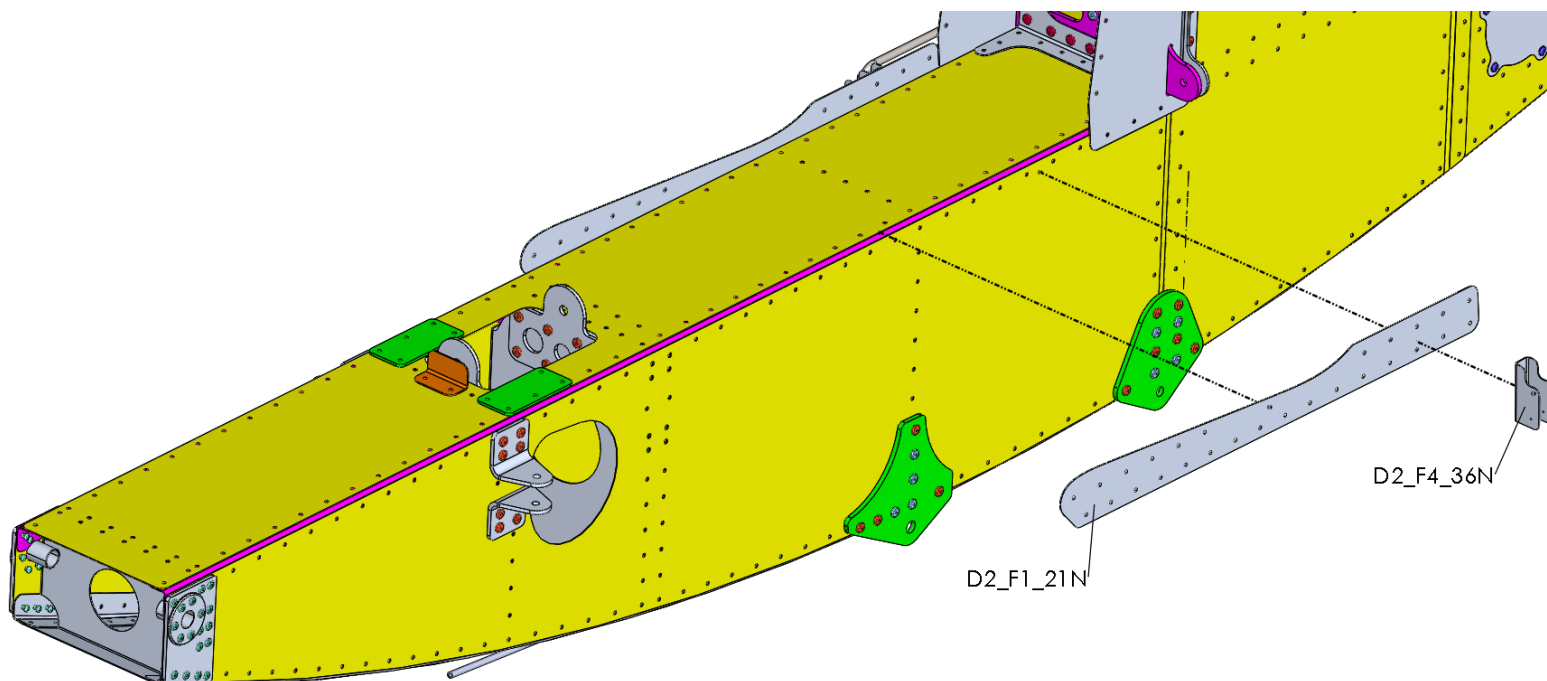
D2_F4_14N

Rivet Al 3.2 x11.2

Title	Document no.	Revision	Page	Pages
Fuselage assembly manual	D2_F0_00	Rev. 03	370	414



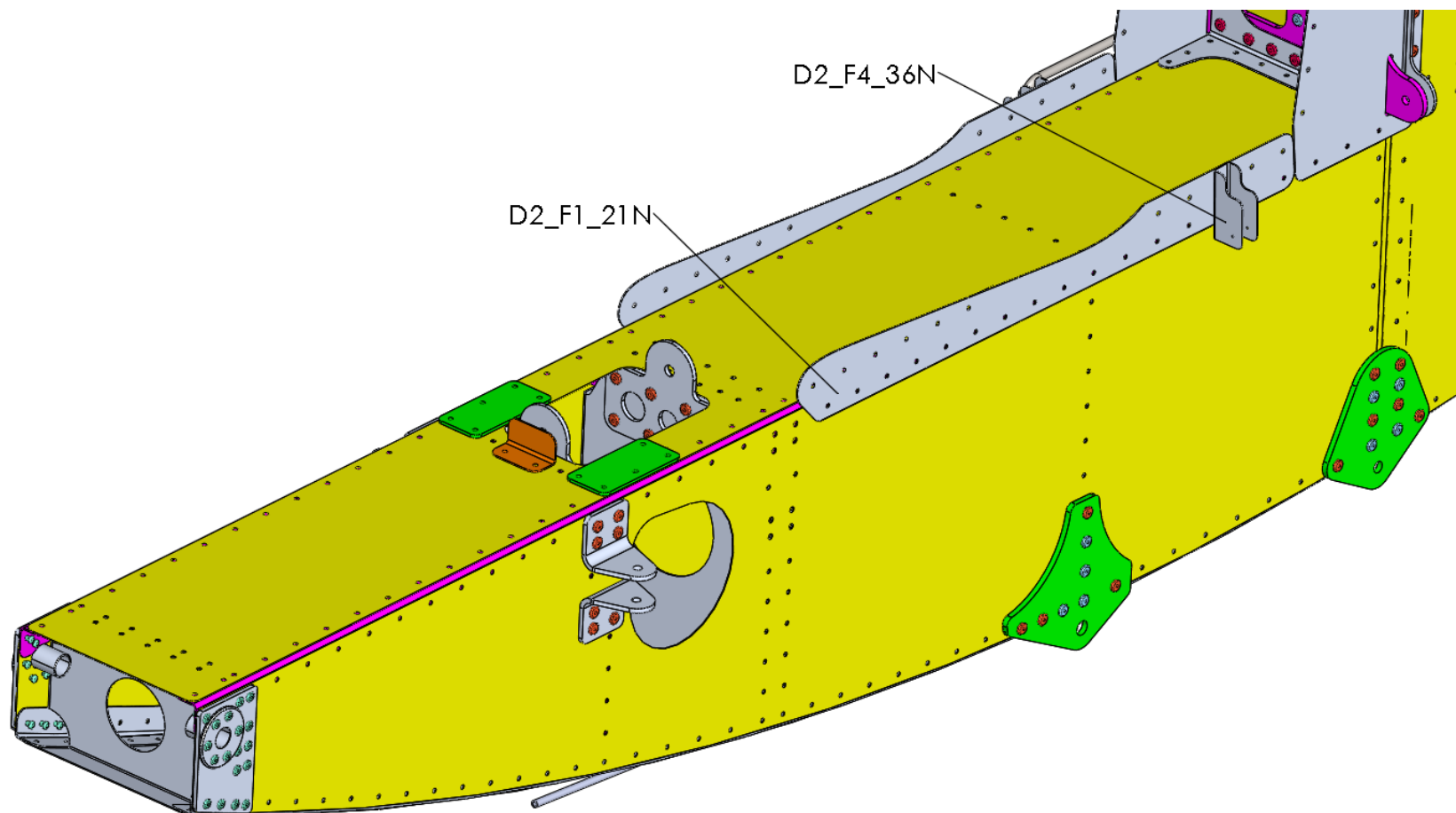
Step 15



Title	Document no.	Revision	Page	Pages
Fuselage assembly manual	D2_F0_00	Rev. 03	371	414



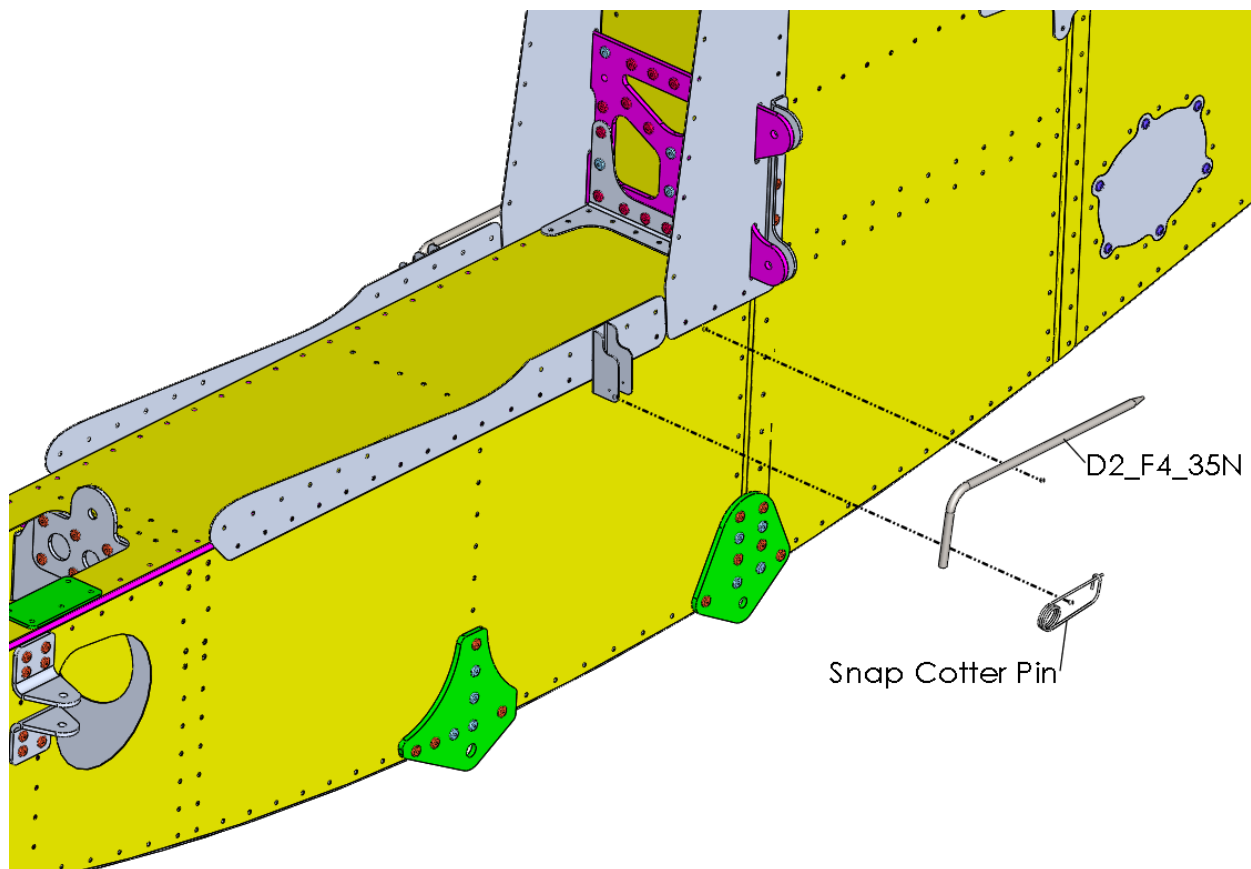
Step 16



Title	Document no.	Revision	Page	Pages
Fuselage assembly manual	D2_F0_00	Rev. 03	372	414



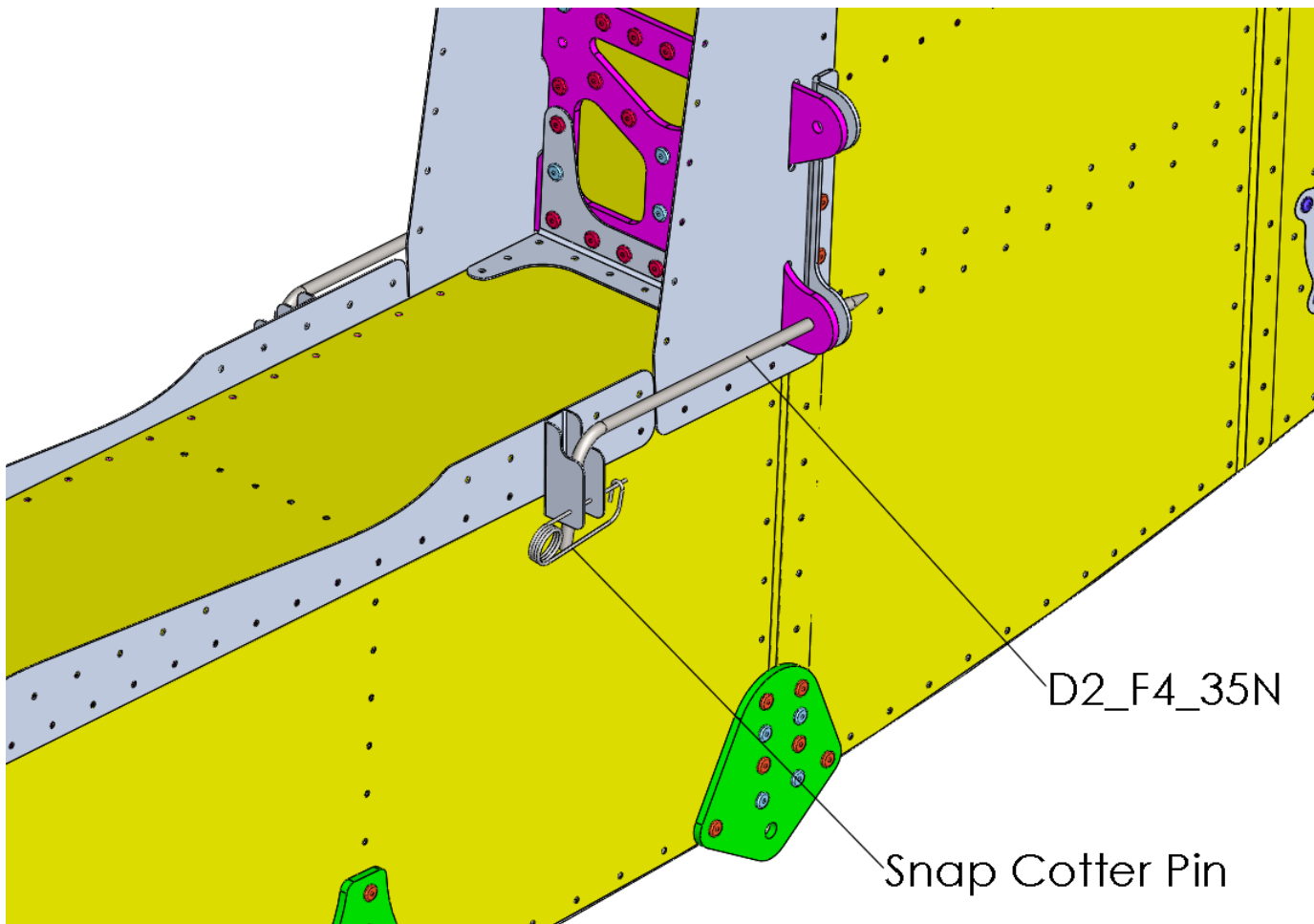
Step 17



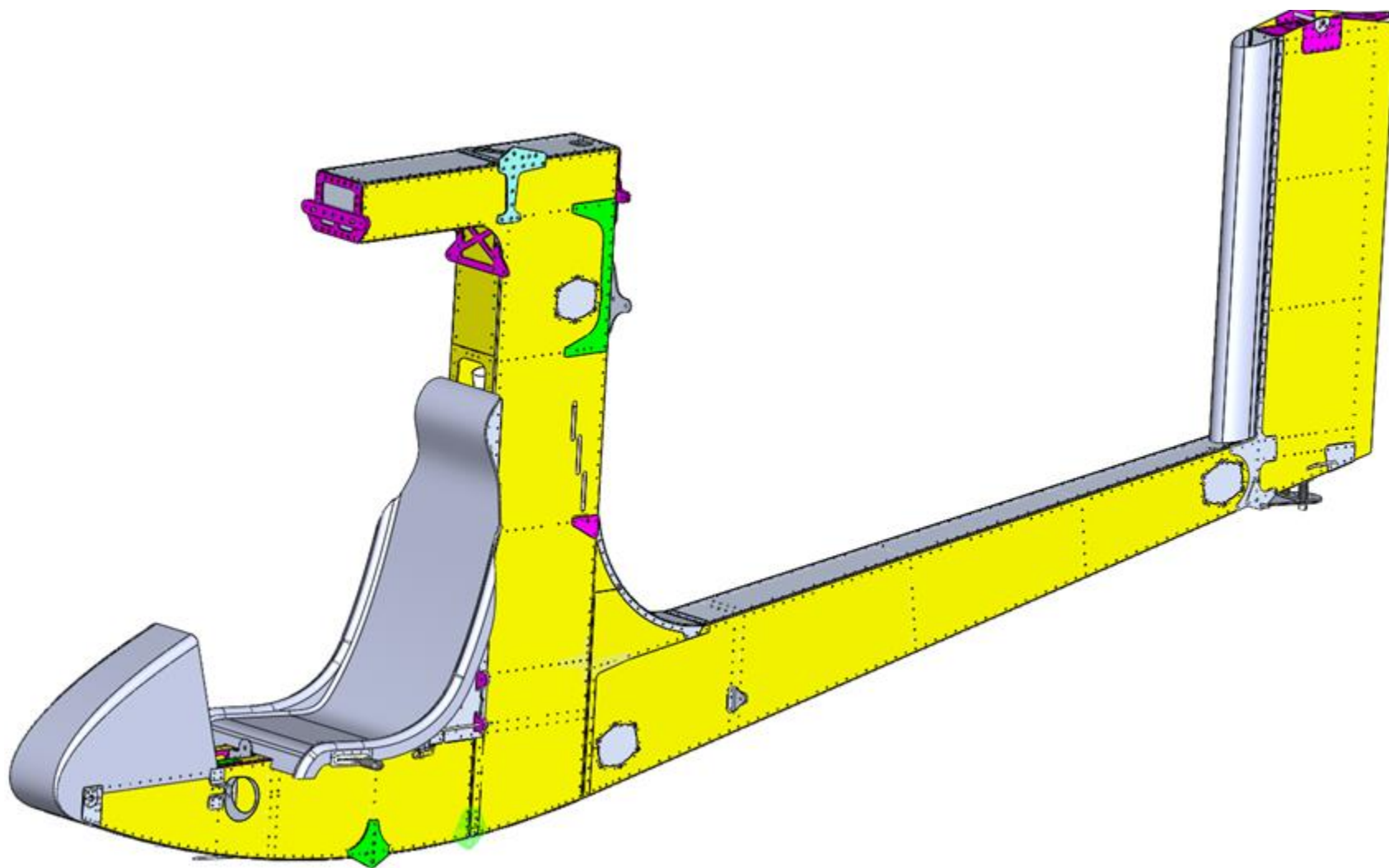
Title	Document no.	Revision	Page	Pages
Fuselage assembly manual	D2_F0_00	Rev. 03	373	414



Step 18



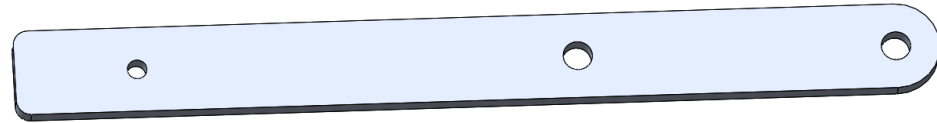
Title	Document no.	Revision	Page	Pages
Fuselage assembly manual	D2_F0_00	Rev. 03	374	414



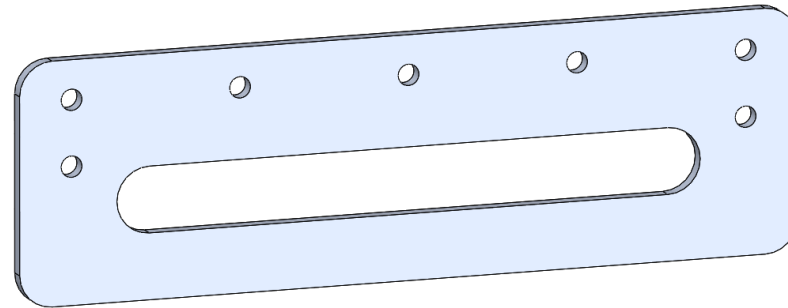
Title	Document no.	Revision	Page	Pages
Fuselage assembly manual	D2_F0_00	Rev. 03	375	414



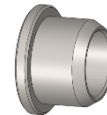
Detail: D2_F1_28N
Quantity: 1



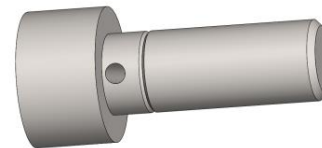
Detail: D2_F1_29N
Quantity: 1



Detail: D2_SP_01 Bushing 8x1
Quantity: 1



Detail: D2_F5_08N
Quantity: 1

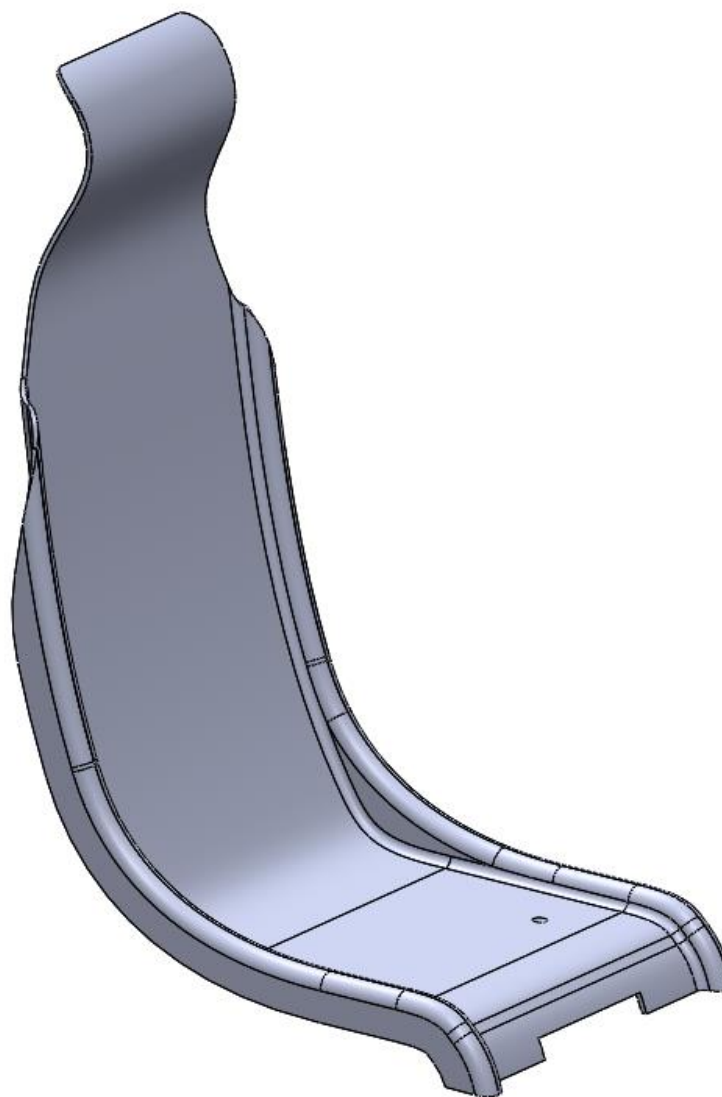


Title	Document no.	Revision	Page	Pages
Fuselage assembly manual	D2_F0_00	Rev. 03	376	414



Detail: D2_F1_30N

Quantity: 1

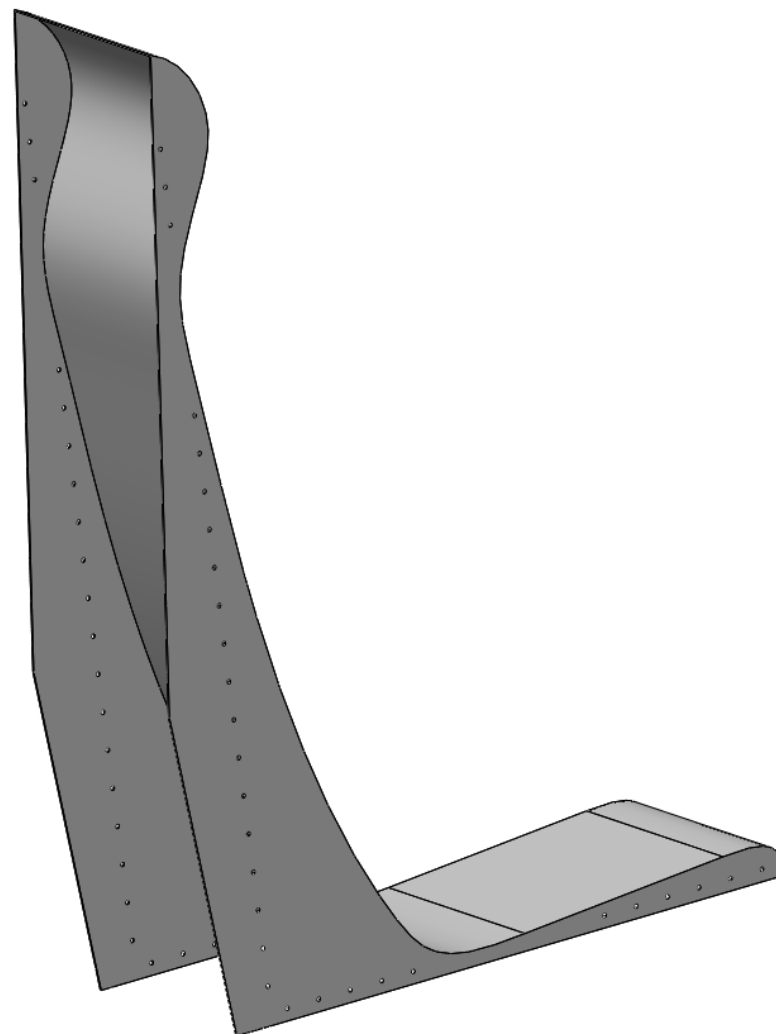


Title	Document no.	Revision	Page	Pages
Fuselage assembly manual	D2_F0_00	Rev. 03	377	414



Detail: D2_F1_31N

Quantity: 1

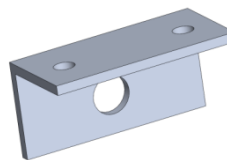


Title	Document no.	Revision	Page	Pages
Fuselage assembly manual	D2_F0_00	Rev. 03	378	414



Detail: D2_F5_06N

Quantity: 1



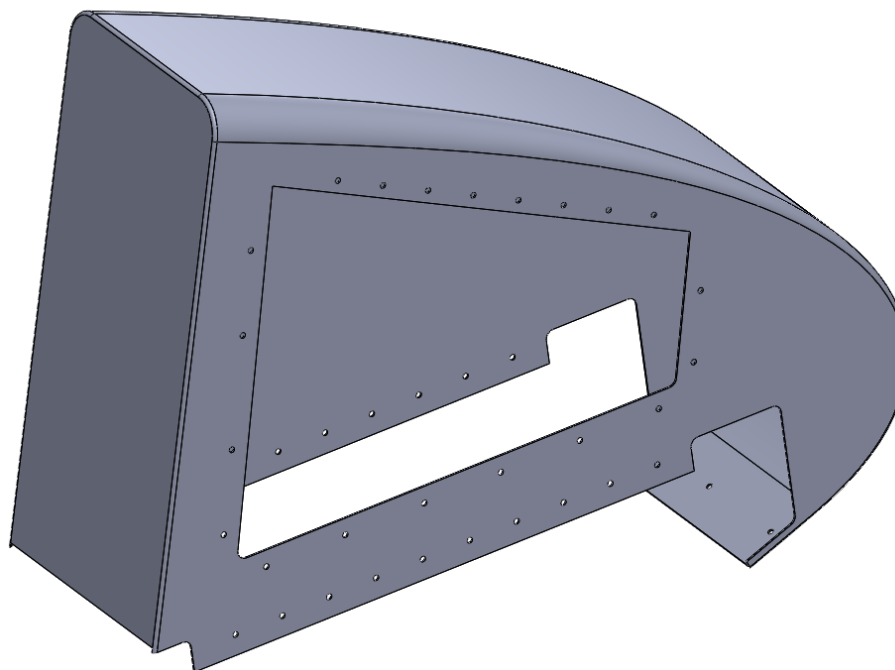
Detail: D2_F5_07

Quantity: 1



Detail: D2_F7_01

Quantity: 1

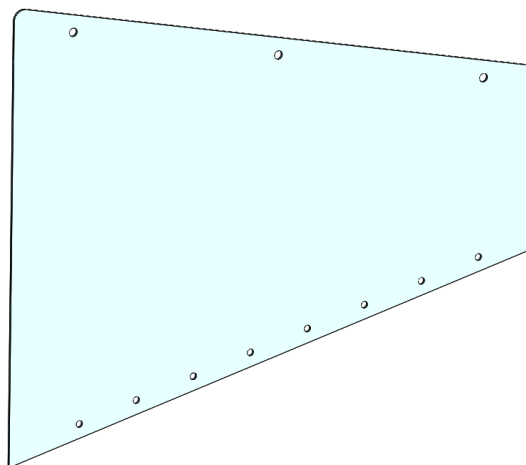


Title	Document no.	Revision	Page	Pages
Fuselage assembly manual	D2_F0_00	Rev. 03	379	414



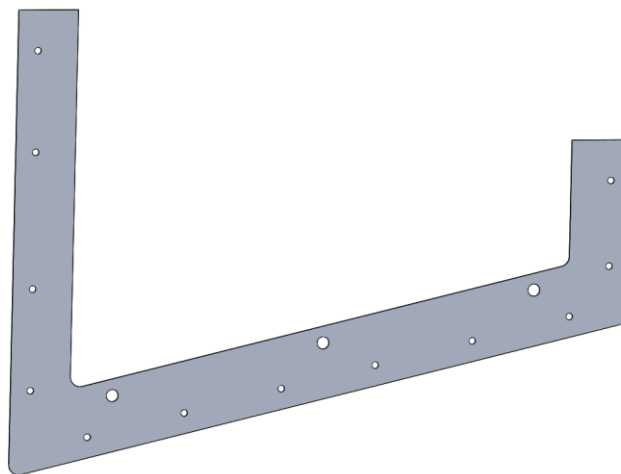
Detail: D2_F7_02

Quantity: 1



Detail: D2_F7_03

Quantity: 1

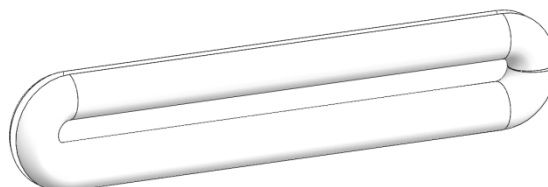


Title	Document no.	Revision	Page	Pages
Fuselage assembly manual	D2_F0_00	Rev. 03	380	414



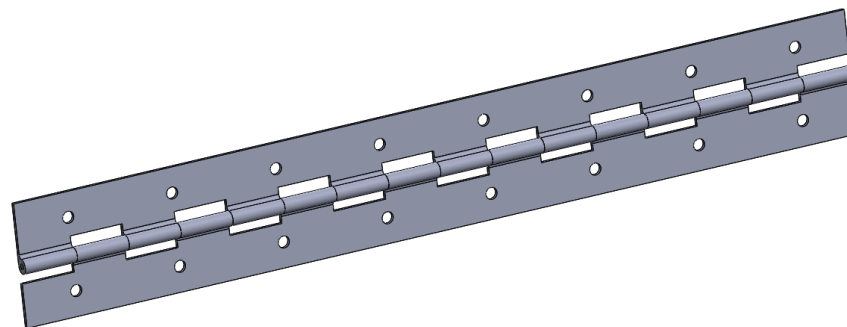
Detail: EDGE TRIM

Quantity: 1



Detail: PIANO HINGE

Quantity: 1



Detail: RIVNUT M4

Quantity: 3



Detail: BOLT DIN 7991 M6

Quantity: 1



Detail: BOWDEN BOLT

Quantity: 1



Title	Document no.	Revision	Page	Pages
Fuselage assembly manual	D2_F0_00	Rev. 03	381	414



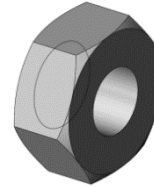
Detail: DIN 9021 WASHER M6

Quantity: 2



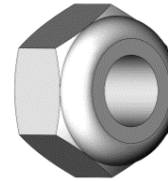
Detail: DIN 934 NUT M6

Quantity: 2



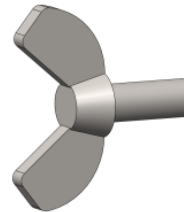
Detail: DIN 985 M6 NYLOCK NUT

Quantity: 2



Detail: WING BOLT DIN 316 M4

Quantity: 3



Detail: DIN 125 WASHER M6

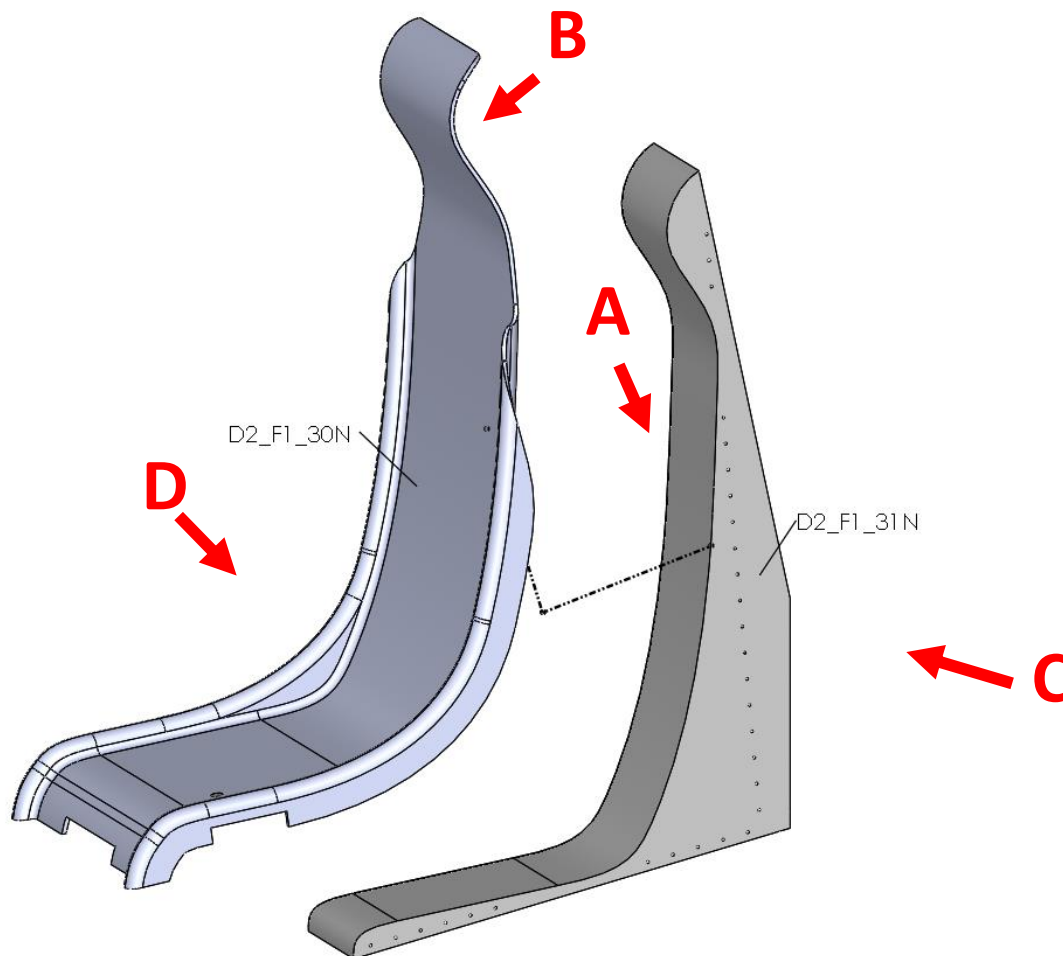
Quantity: 1



Title	Document no.	Revision	Page	Pages
Fuselage assembly manual	D2_F0_00	Rev. 03	382	414



Step 1



Title	Document no.	Revision	Page	Pages
Fuselage assembly manual	D2_F0_00	Rev. 03	383	414



Step 2

A



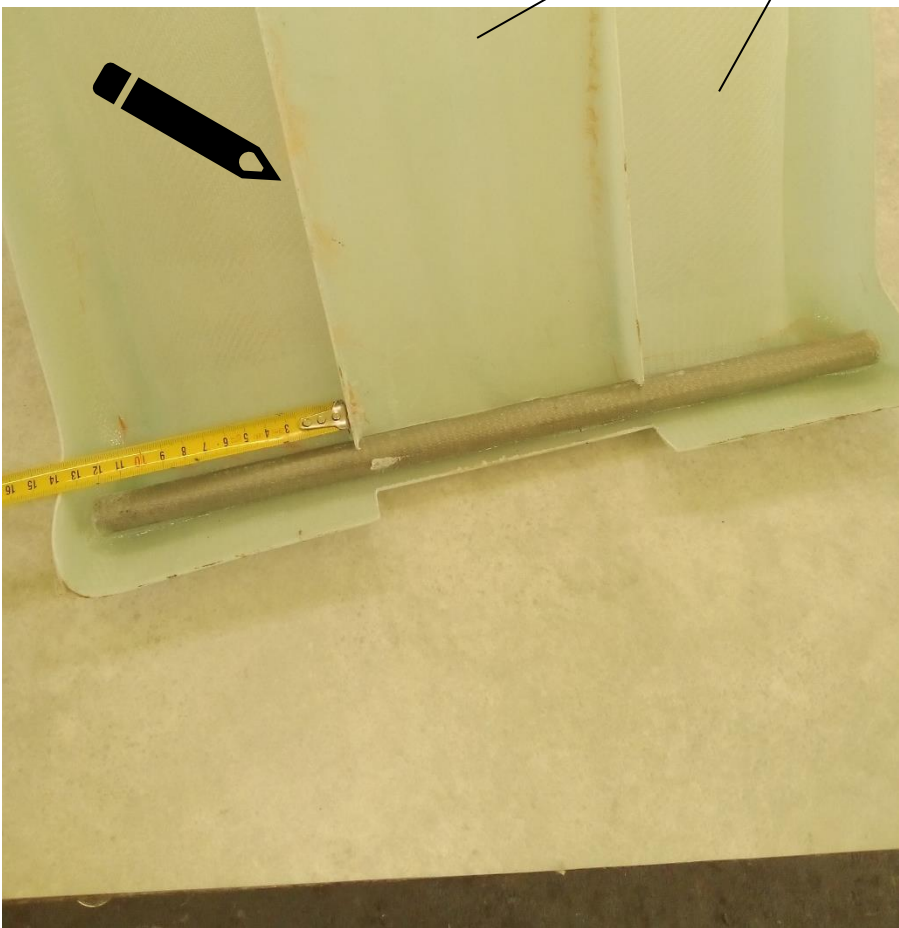
Title	Document no.	Revision	Page	Pages
Fuselage assembly manual	D2_F0_00	Rev. 03	384	414



Step 3

D2_F1_31N

D2_F1_30N



Title	Document no.	Revision	Page	Pages
Fuselage assembly manual	D2_F0_00	Rev. 03	385	414



B

Step 4



Title	Document no.	Revision	Page	Pages
Fuselage assembly manual	D2_F0_00	Rev. 03	386	414



C

Step 5



Title	Document no.	Revision	Page	Pages
Fuselage assembly manual	D2_F0_00	Rev. 03	387	414



Step 6



Title	Document no.	Revision	Page	Pages
Fuselage assembly manual	D2_F0_00	Rev. 03	388	414



A

Step 7



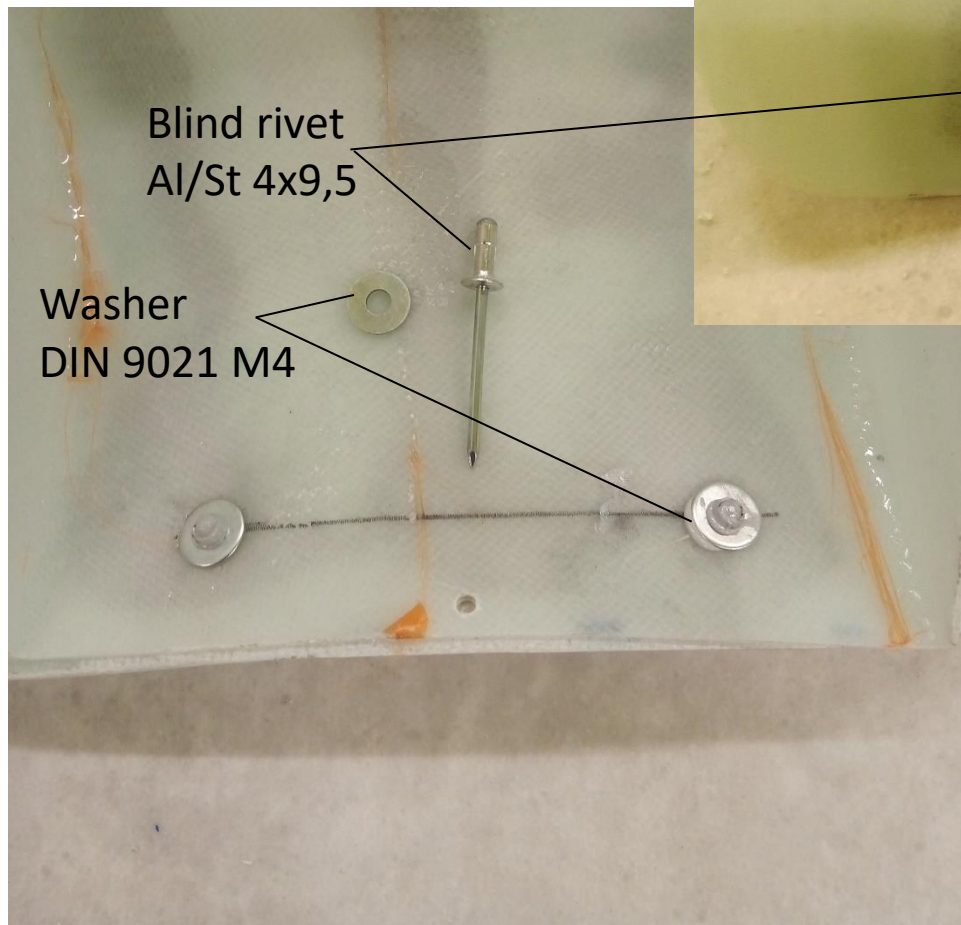
Title	Document no.	Revision	Page	Pages
Fuselage assembly manual	D2_F0_00	Rev. 03	389	414



D

Step 8

C



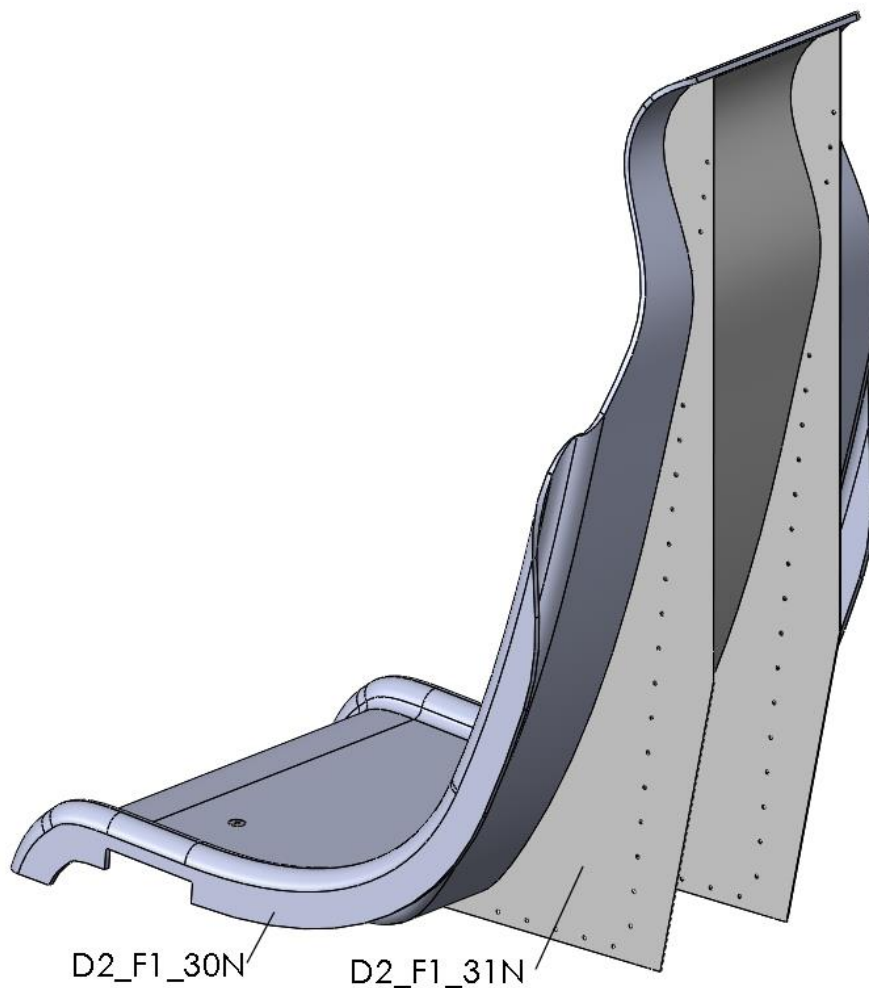
Blind rivet
Al/St 4x9,5

Washer
DIN 9021 M4

Title	Document no.	Revision	Page	Pages
Fuselage assembly manual	D2_F0_00	Rev. 03	390	414



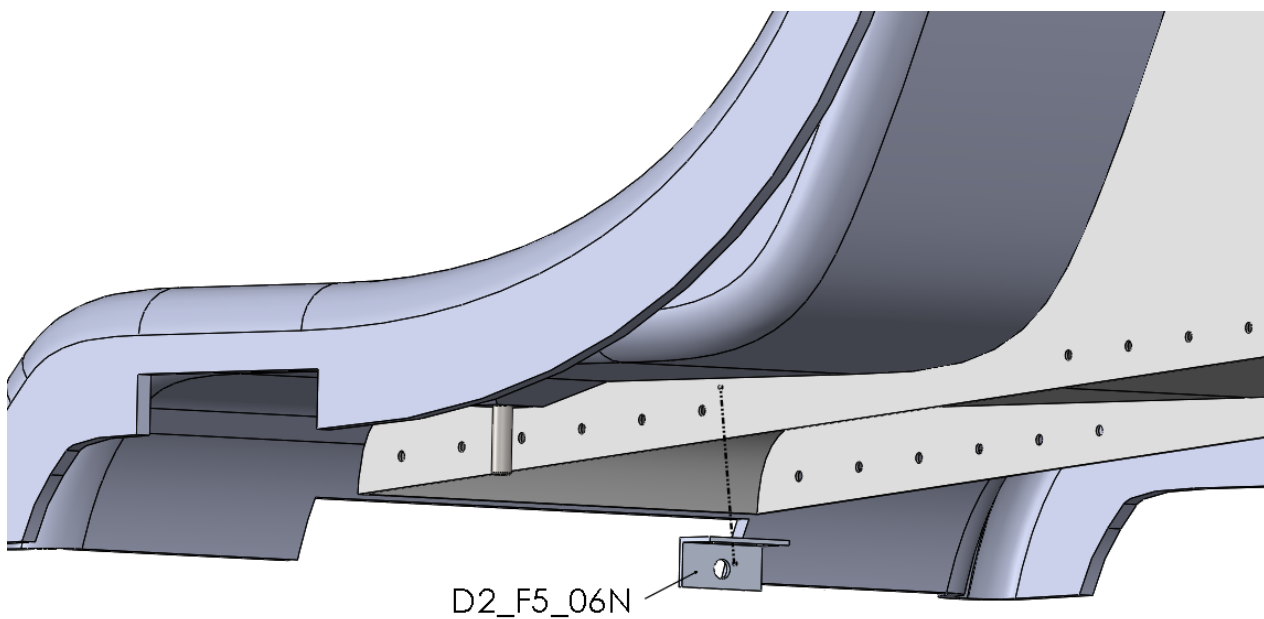
Step 9



Title	Document no.	Revision	Page	Pages
Fuselage assembly manual	D2_F0_00	Rev. 03	391	414



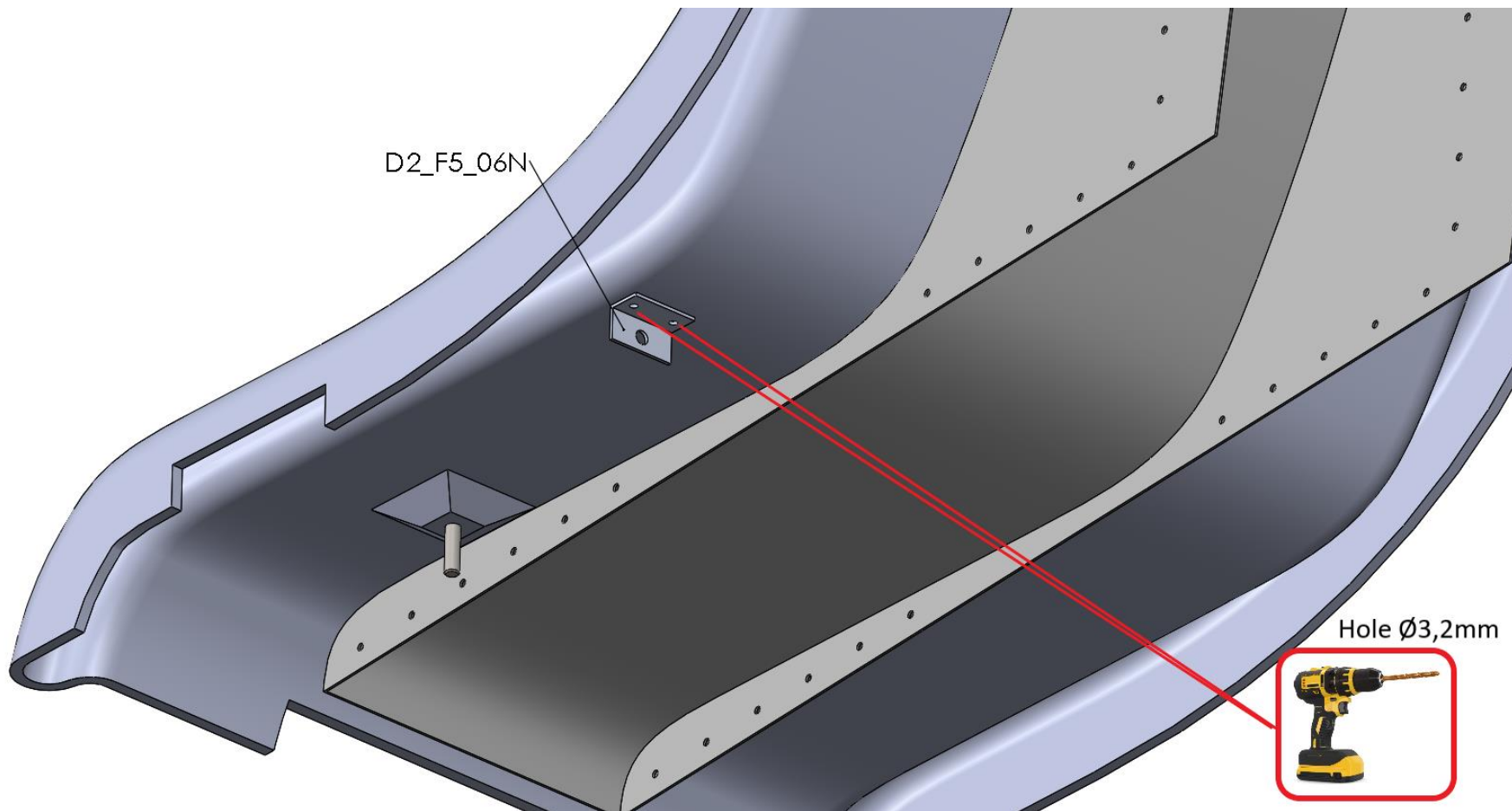
Step 10



Title	Document no.	Revision	Page	Pages
Fuselage assembly manual	D2_F0_00	Rev. 03	392	414



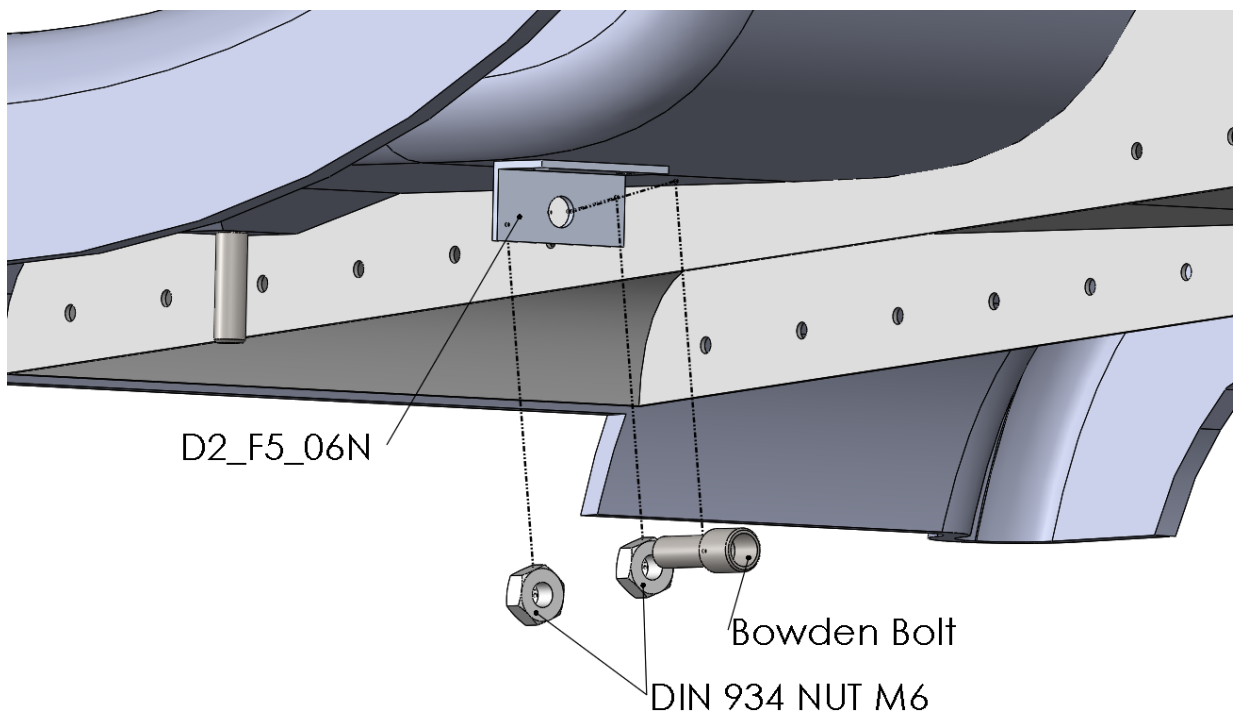
Step 11



Title	Document no.	Revision	Page	Pages
Fuselage assembly manual	D2_F0_00	Rev. 03	393	414



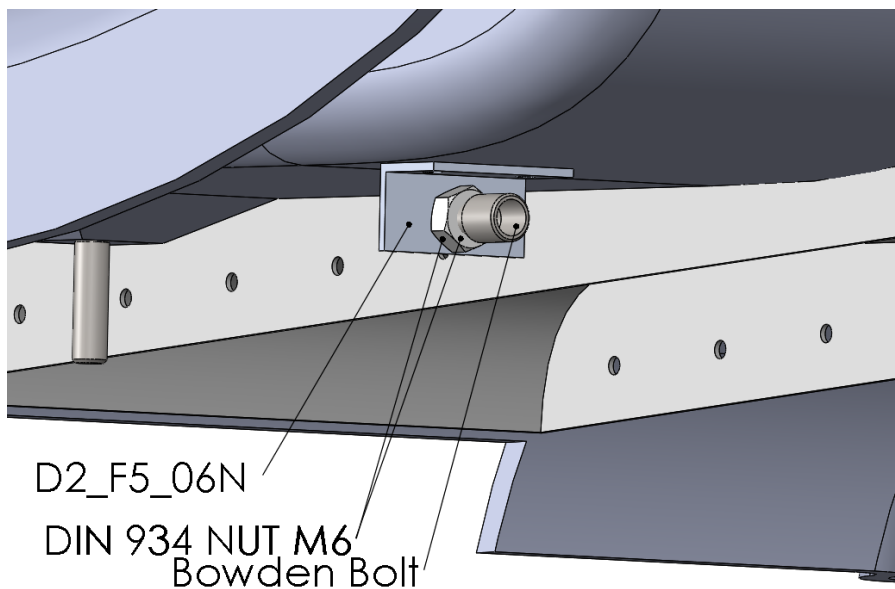
Step 12



Title	Document no.	Revision	Page	Pages
Fuselage assembly manual	D2_F0_00	Rev. 03	394	414



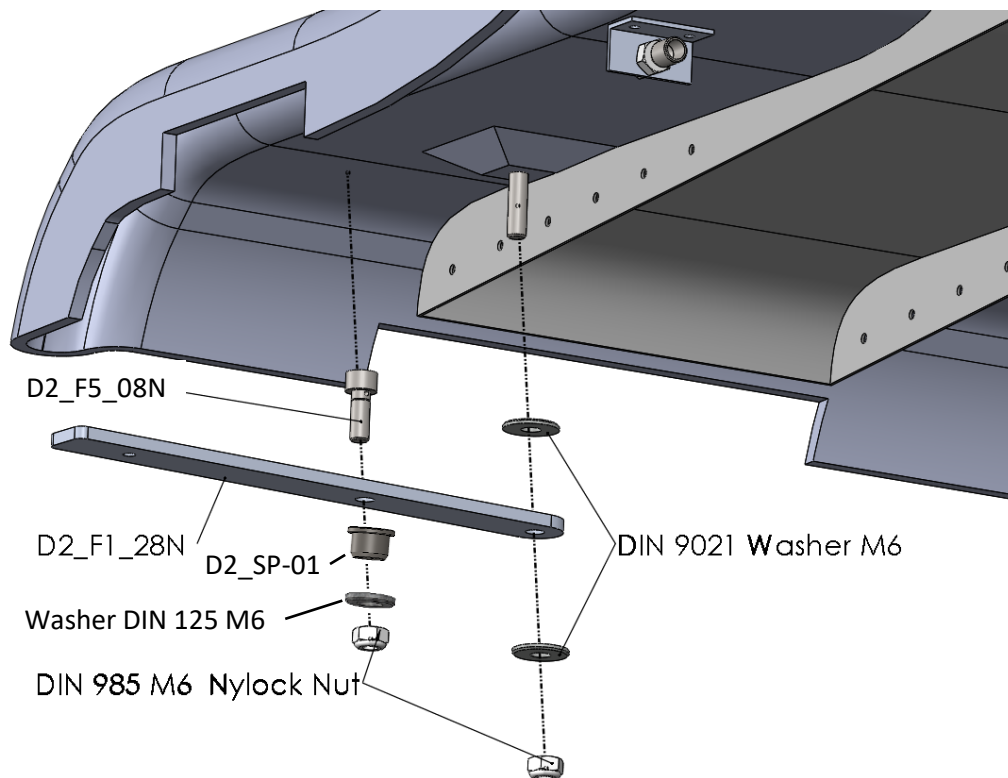
Step 13



Title	Document no.	Revision	Page	Pages
Fuselage assembly manual	D2_F0_00	Rev. 03	395	414



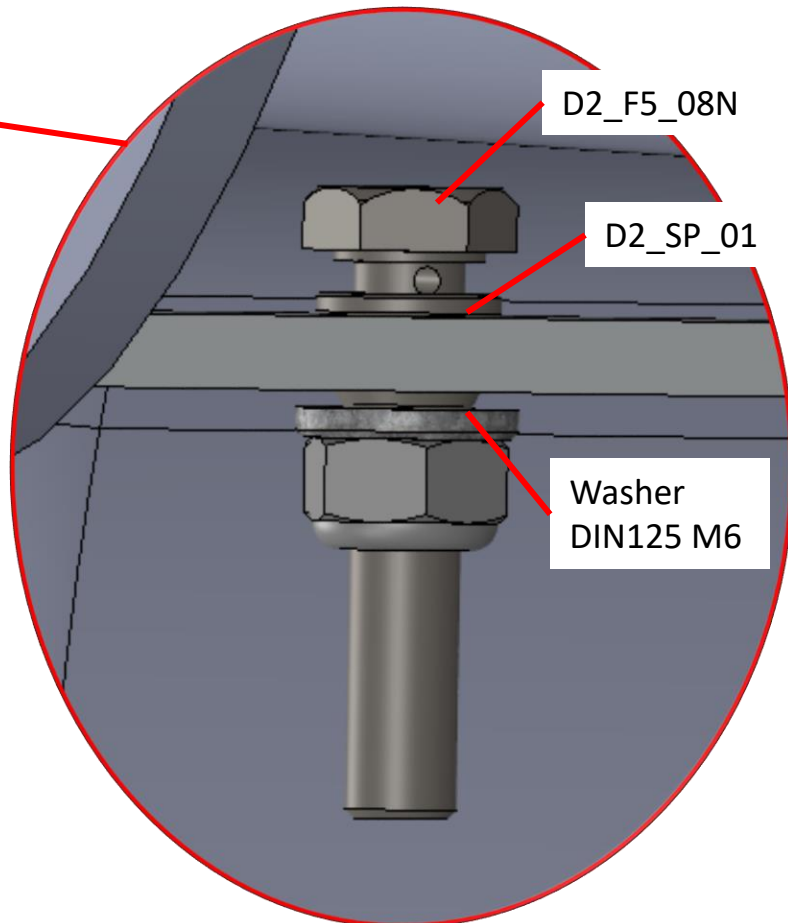
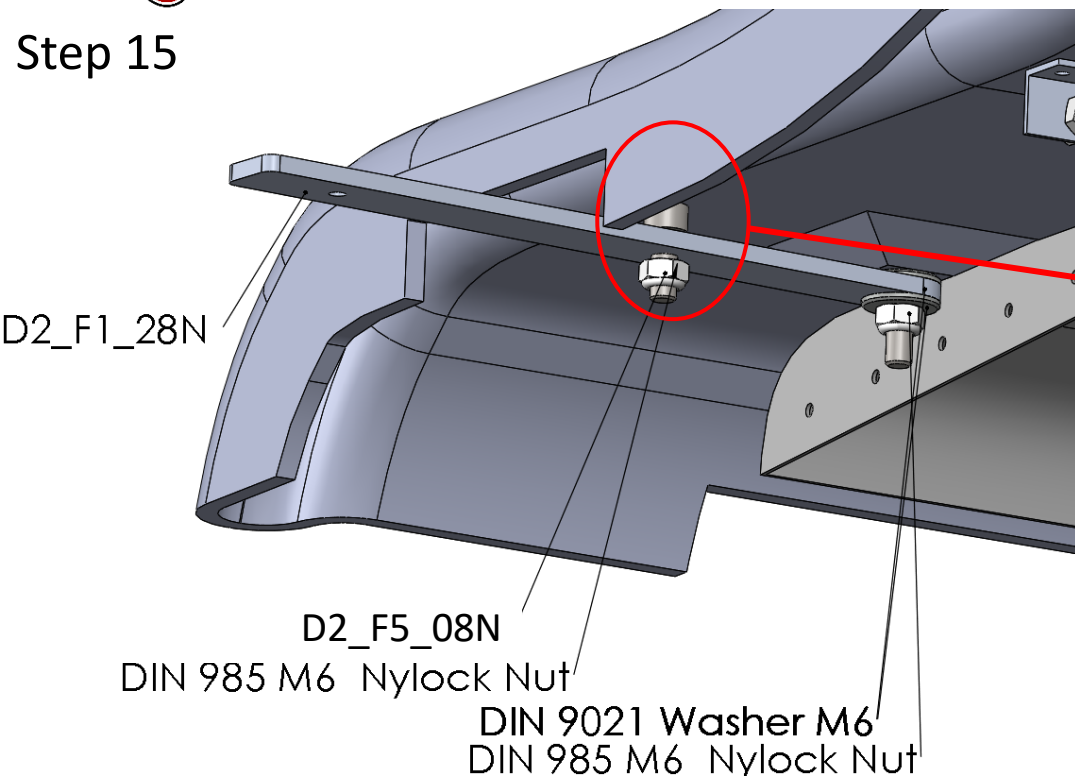
Step 14



Title	Document no.	Revision	Page	Pages
Fuselage assembly manual	D2_F0_00	Rev. 03	396	414



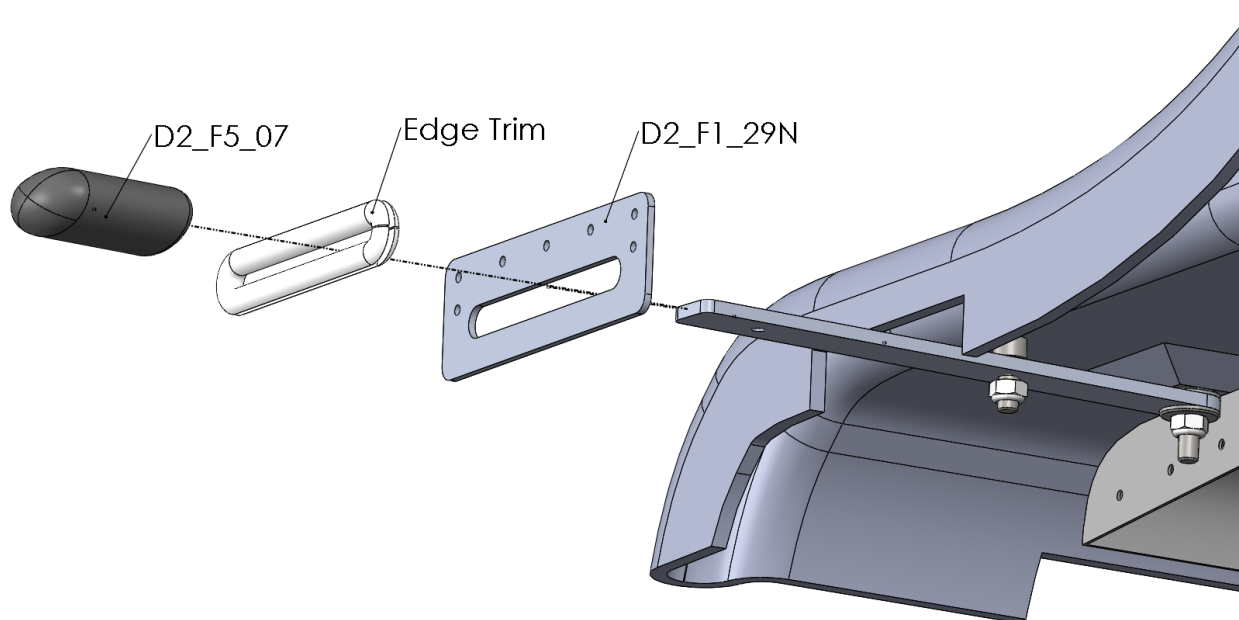
Step 15



Title	Document no.	Revision	Page	Pages
Fuselage assembly manual	D2_F0_00	Rev. 03	397	414



Step 16



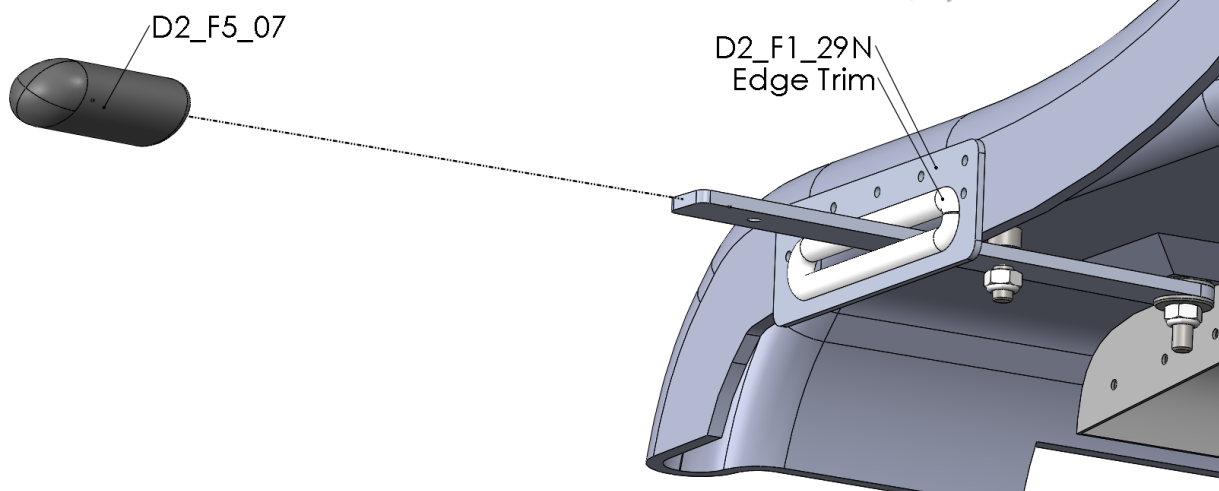
Title	Document no.	Revision	Page	Pages
Fuselage assembly manual	D2_F0_00	Rev. 03	398	414



Step 17



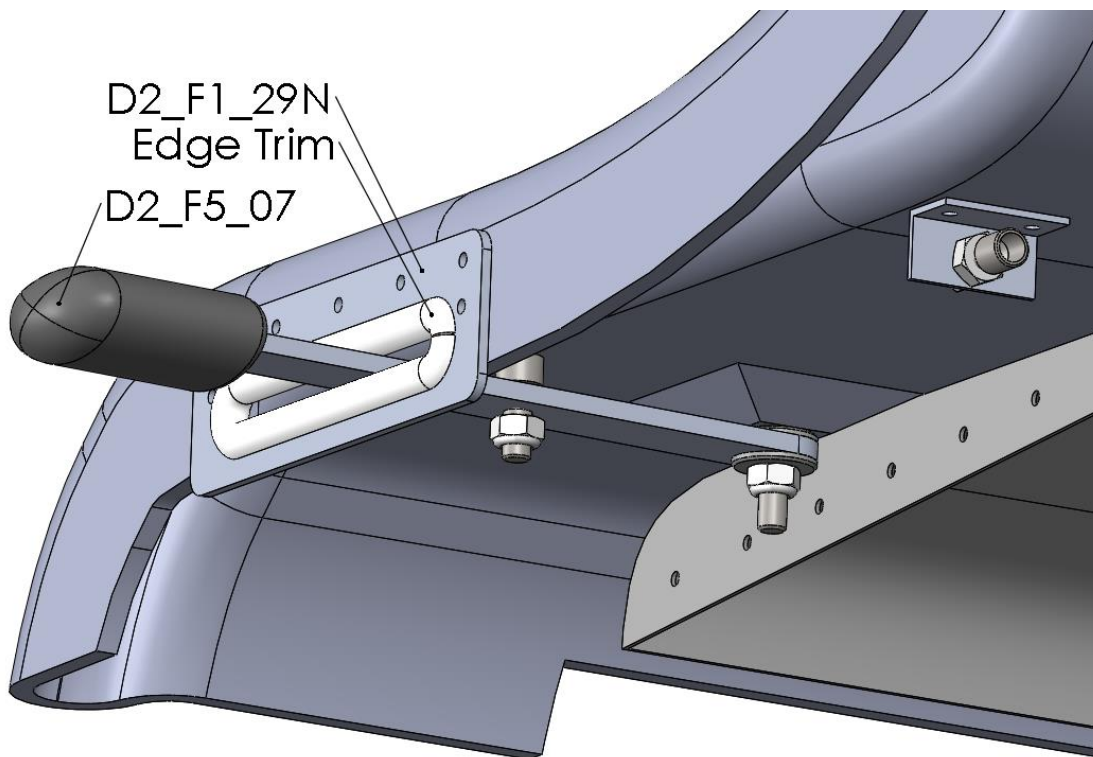
7X Hole \varnothing 3,2mm



Title	Document no.	Revision	Page	Pages
Fuselage assembly manual	D2_F0_00	Rev. 03	399	414



Step 18



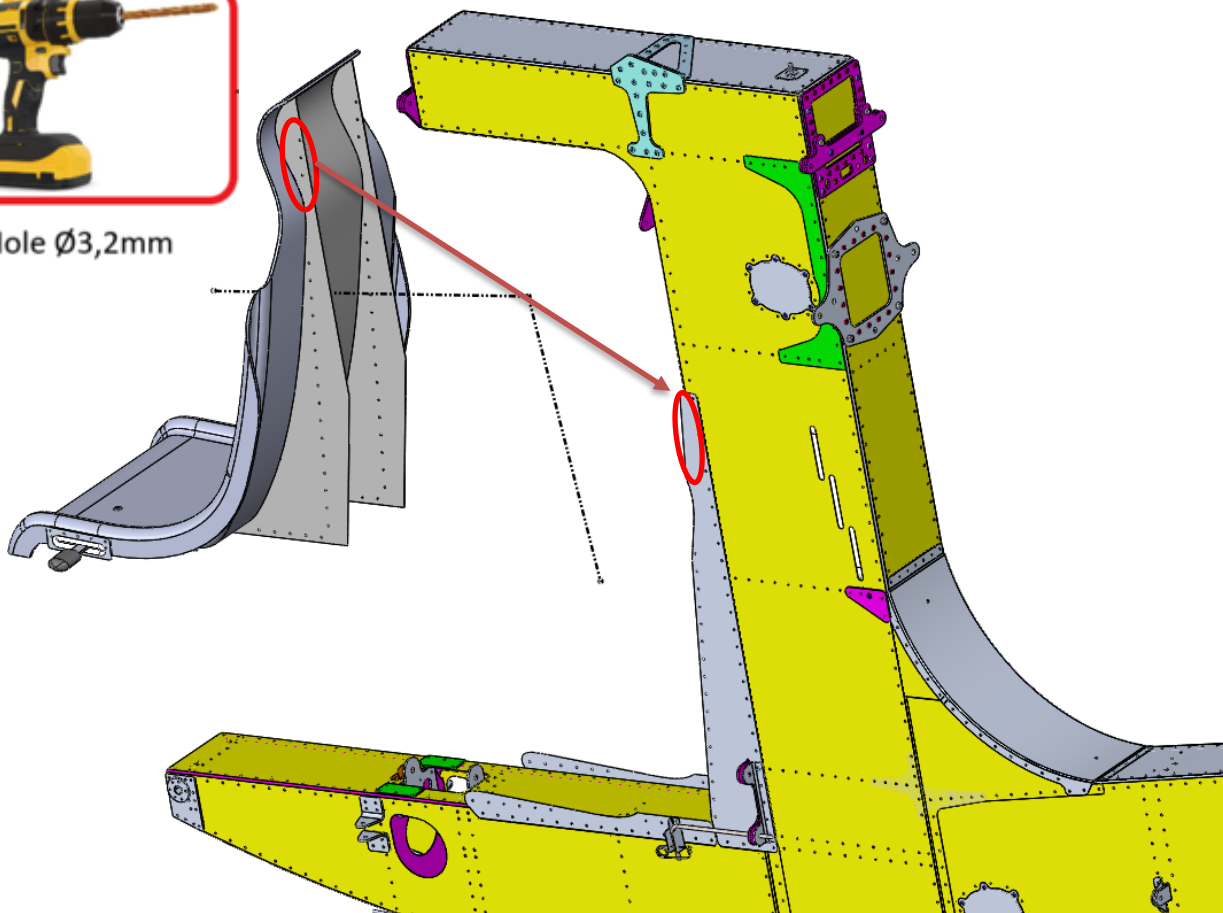
Title	Document no.	Revision	Page	Pages
Fuselage assembly manual	D2_F0_00	Rev. 03	400	414



Step 19



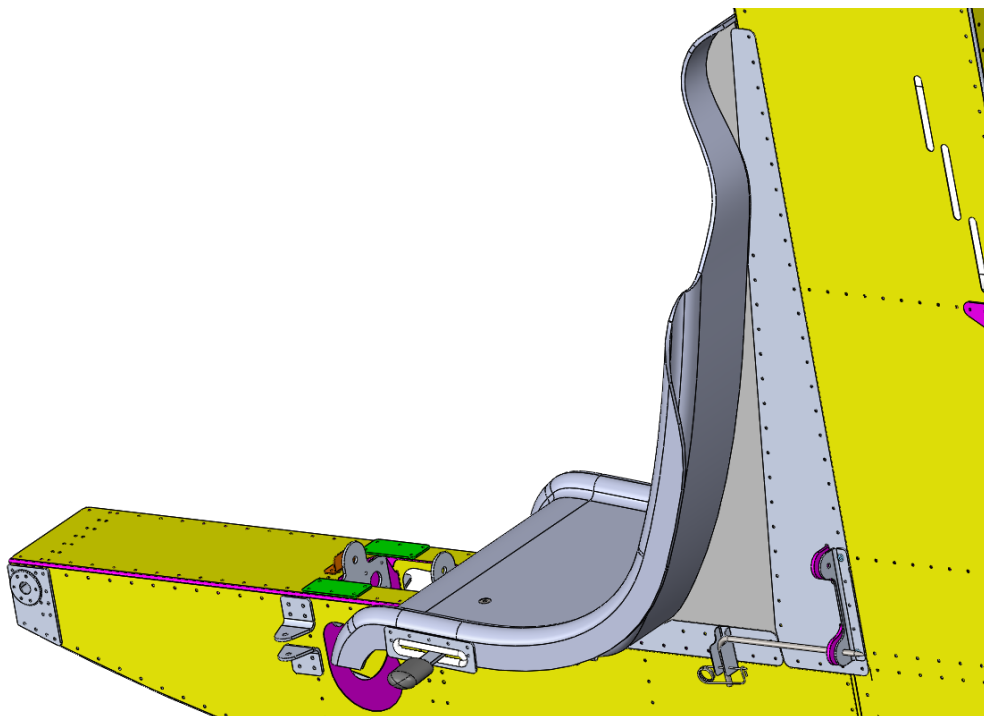
Hole $\varnothing 3,2\text{mm}$



Title	Document no.	Revision	Page	Pages
Fuselage assembly manual	D2_F0_00	Rev. 03	401	414



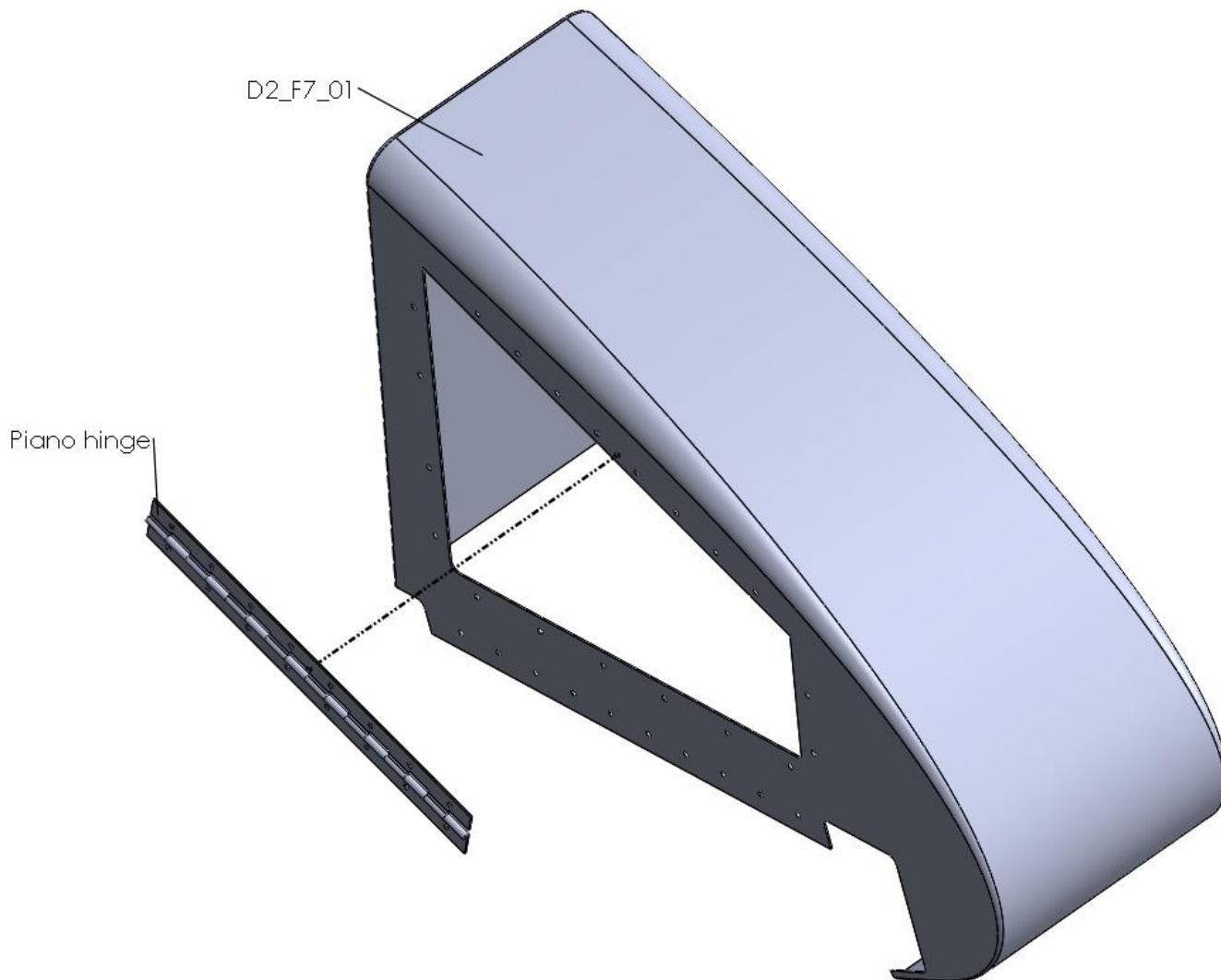
Step 20



Title	Document no.	Revision	Page	Pages
Fuselage assembly manual	D2_F0_00	Rev. 03	402	414



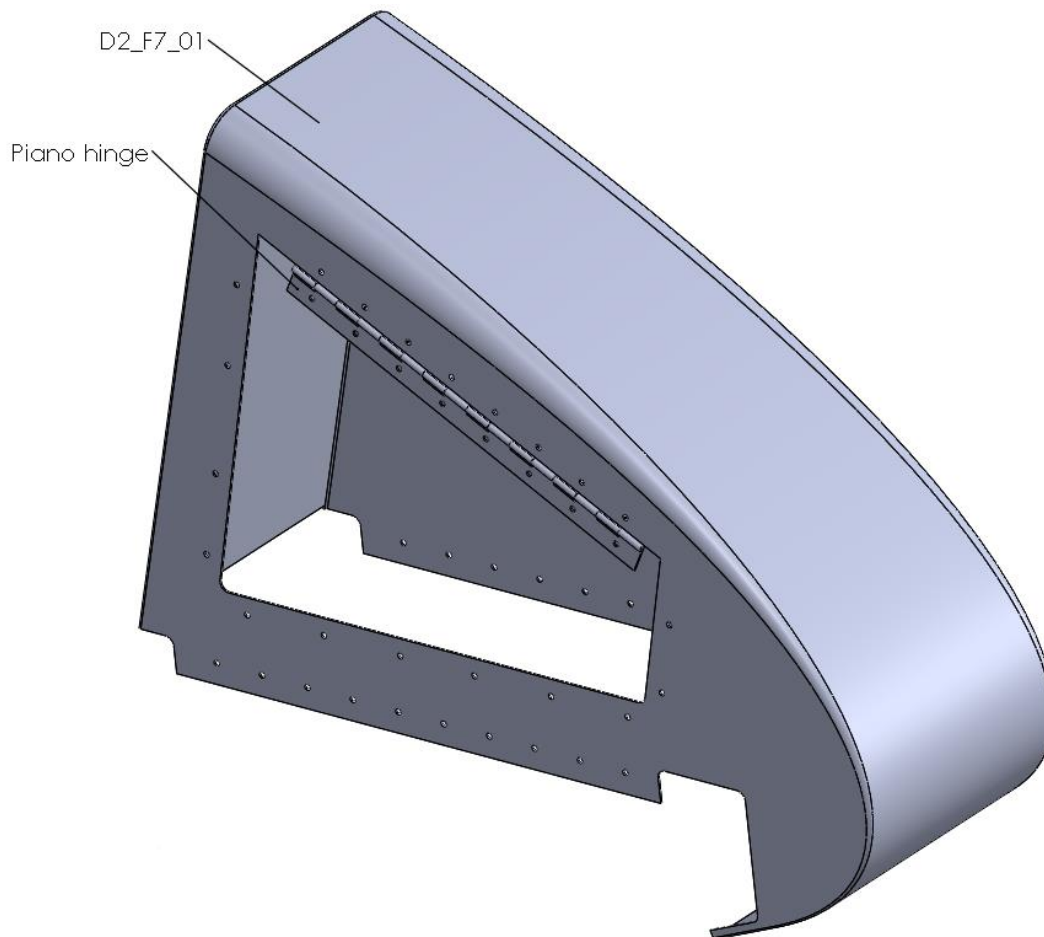
Step 21



Title	Document no.	Revision	Page	Pages
Fuselage assembly manual	D2_F0_00	Rev. 03	403	414



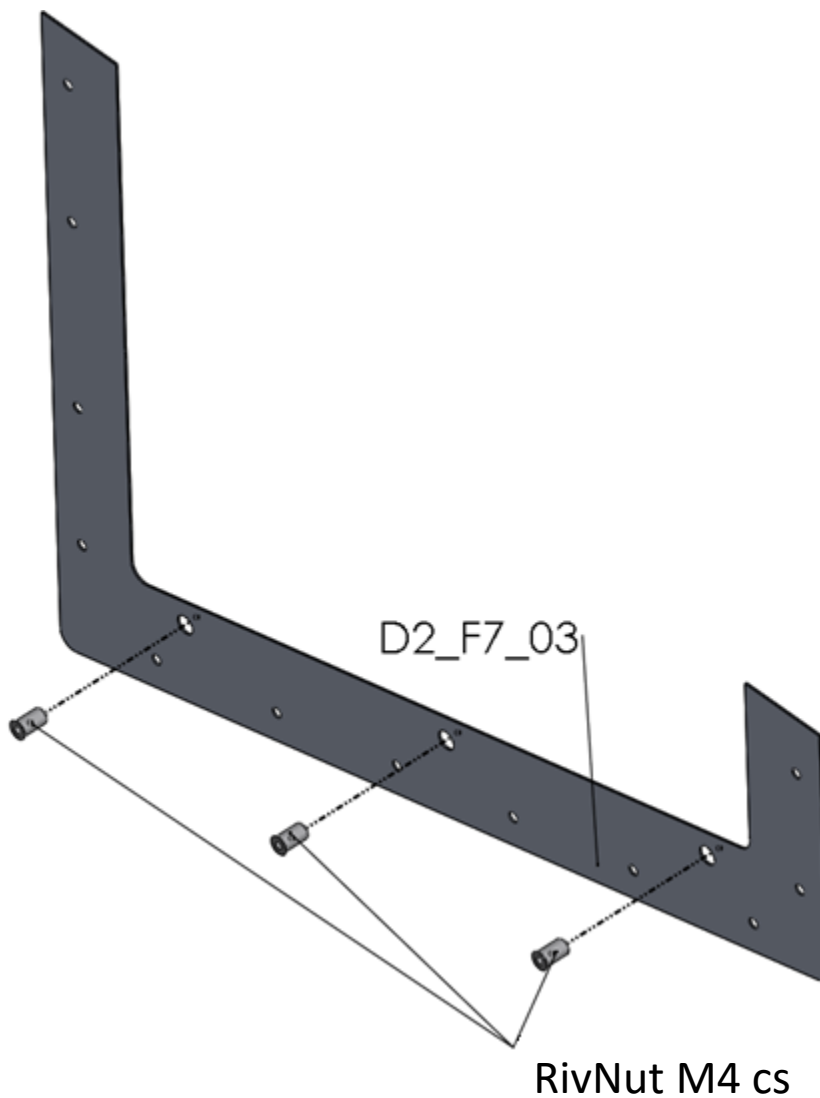
Step 22



Title	Document no.	Revision	Page	Pages
Fuselage assembly manual	D2_F0_00	Rev. 03	404	414



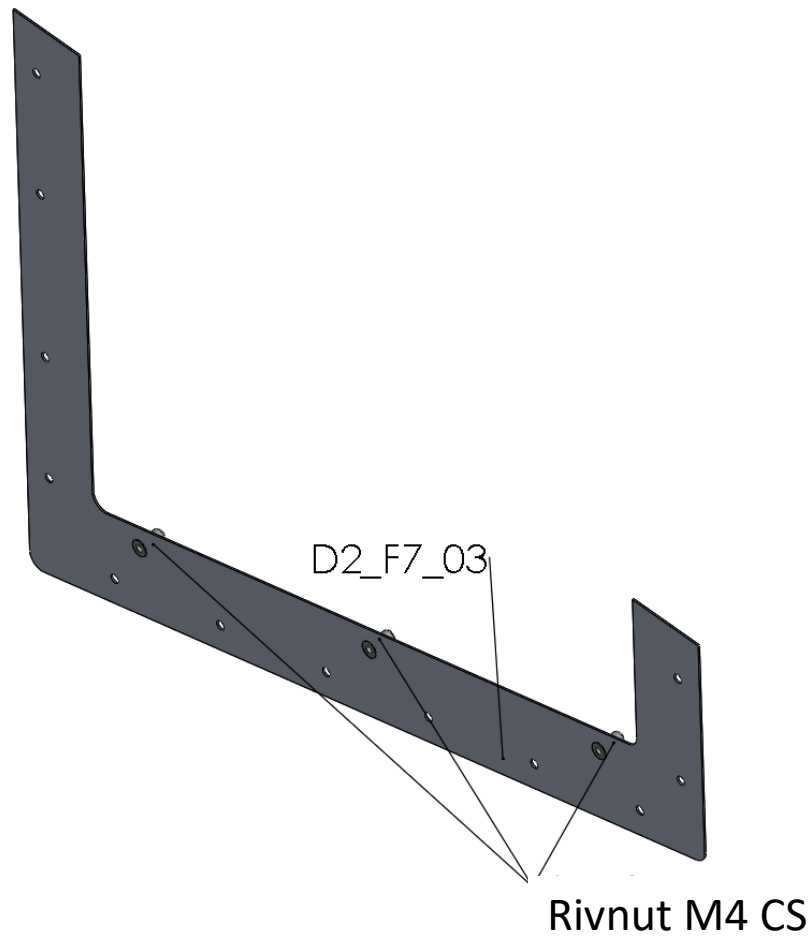
Step 23



Title	Document no.	Revision	Page	Pages
Fuselage assembly manual	D2_F0_00	Rev. 03	405	414



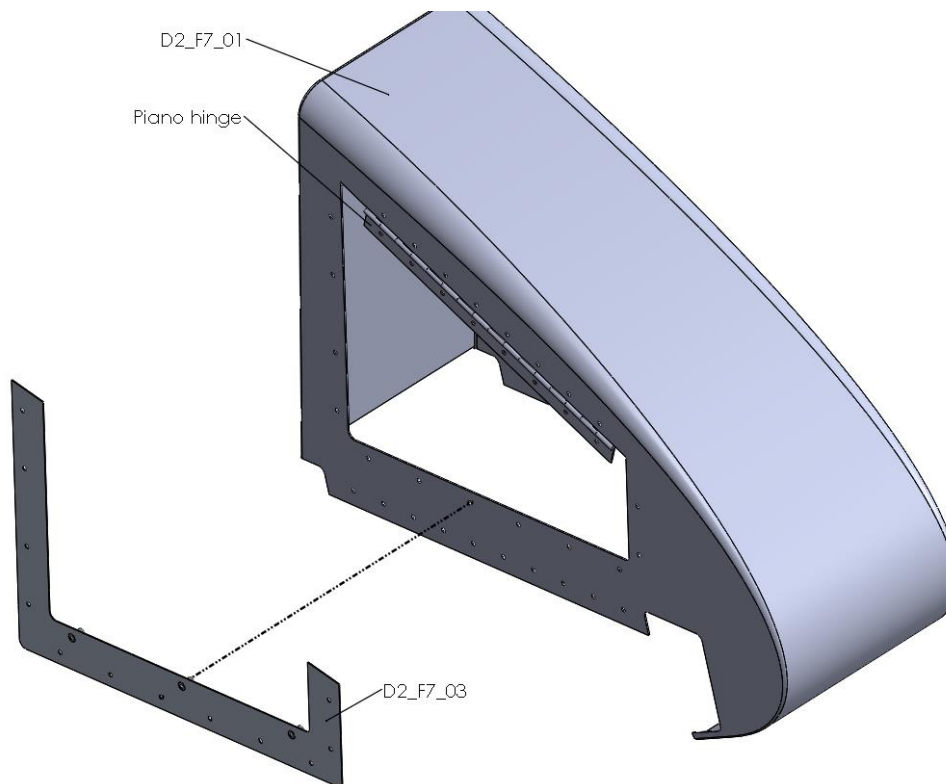
Step 24



Title	Document no.	Revision	Page	Pages
Fuselage assembly manual	D2_F0_00	Rev. 03	406	414



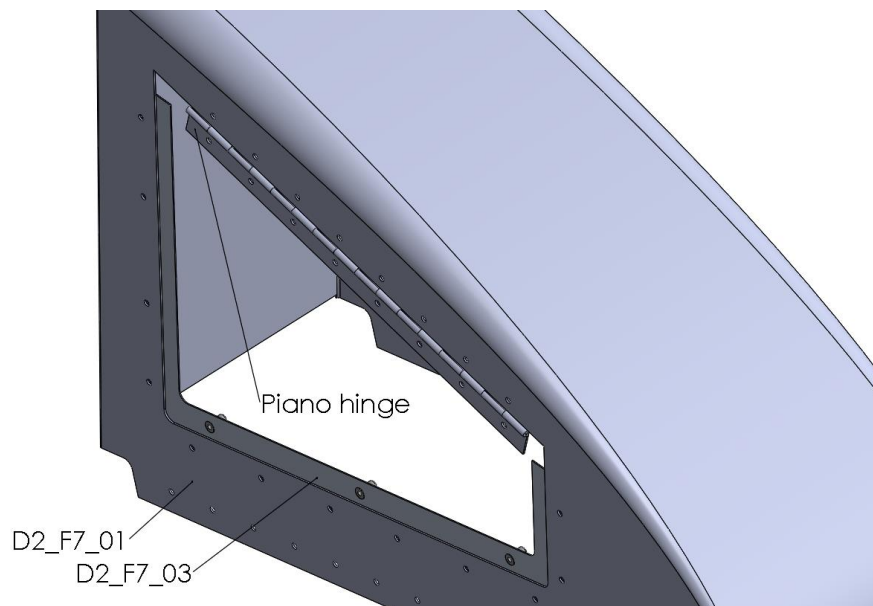
Step 25



Title	Document no.	Revision	Page	Pages
Fuselage assembly manual	D2_F0_00	Rev. 03	407	414



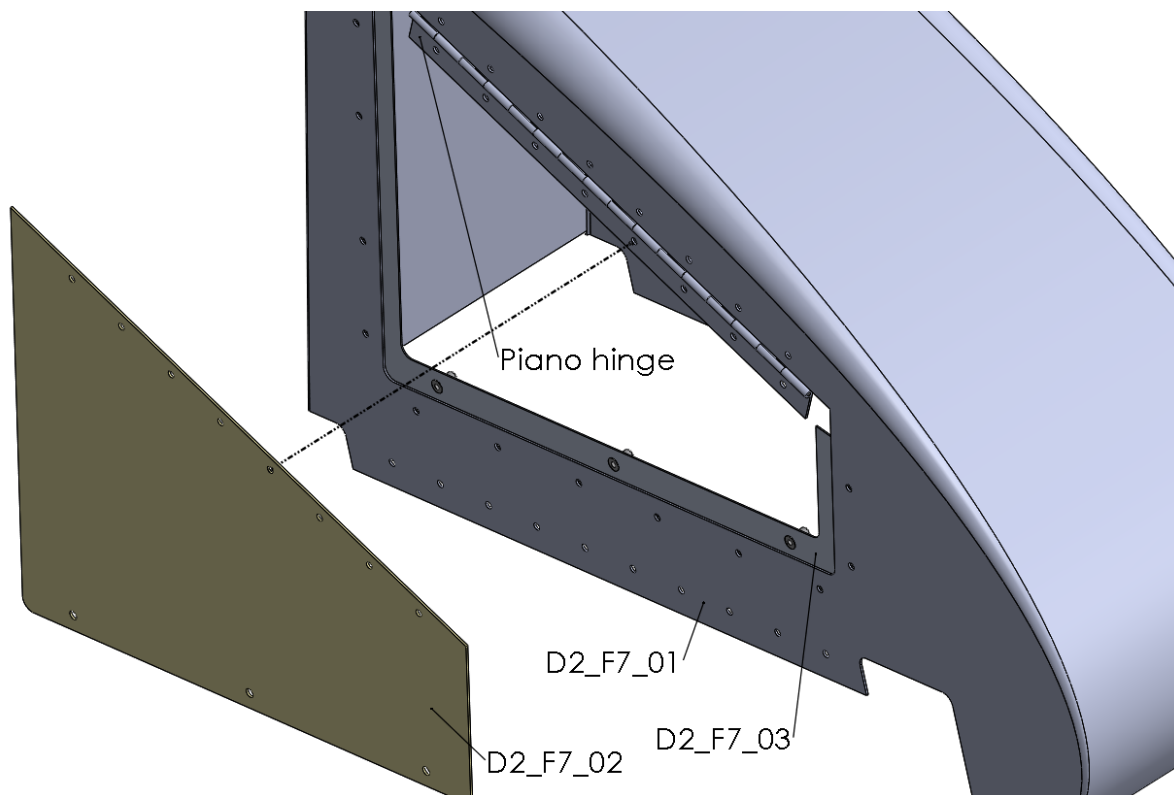
Step 26



Title	Document no.	Revision	Page	Pages
Fuselage assembly manual	D2_F0_00	Rev. 03	408	414



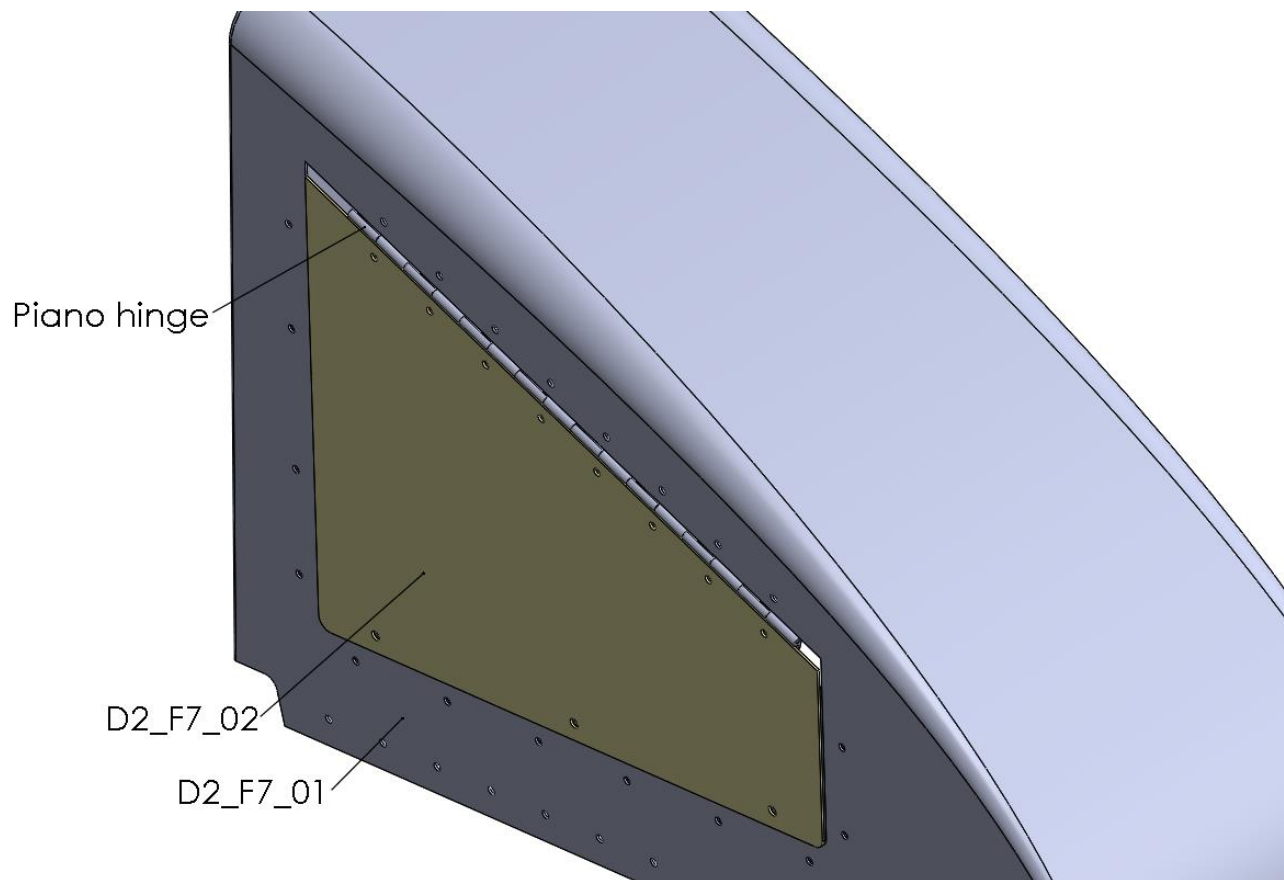
Step 27



Title	Document no.	Revision	Page	Pages
Fuselage assembly manual	D2_F0_00	Rev. 03	409	414



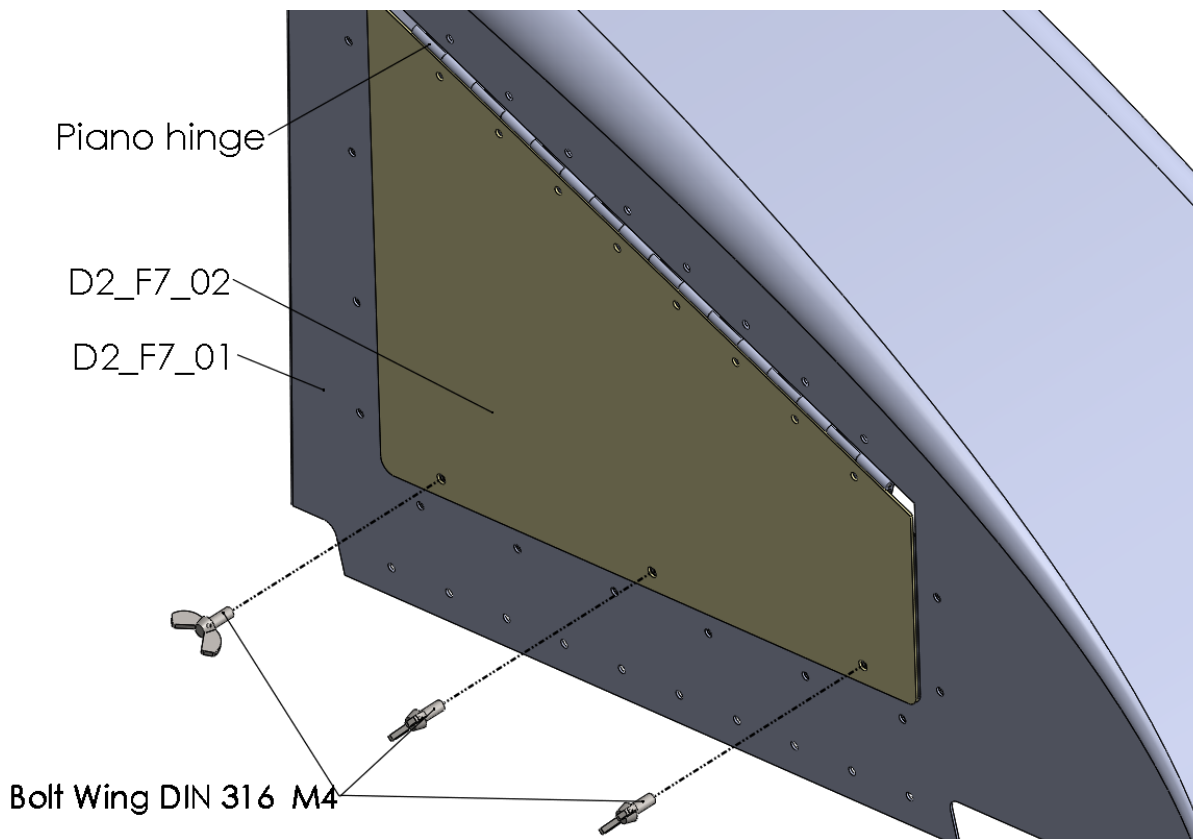
Step 28



Title	Document no.	Revision	Page	Pages
Fuselage assembly manual	D2_F0_00	Rev. 03	410	414



Step 29



Title	Document no.	Revision	Page	Pages
Fuselage assembly manual	D2_F0_00	Rev. 03	411	414



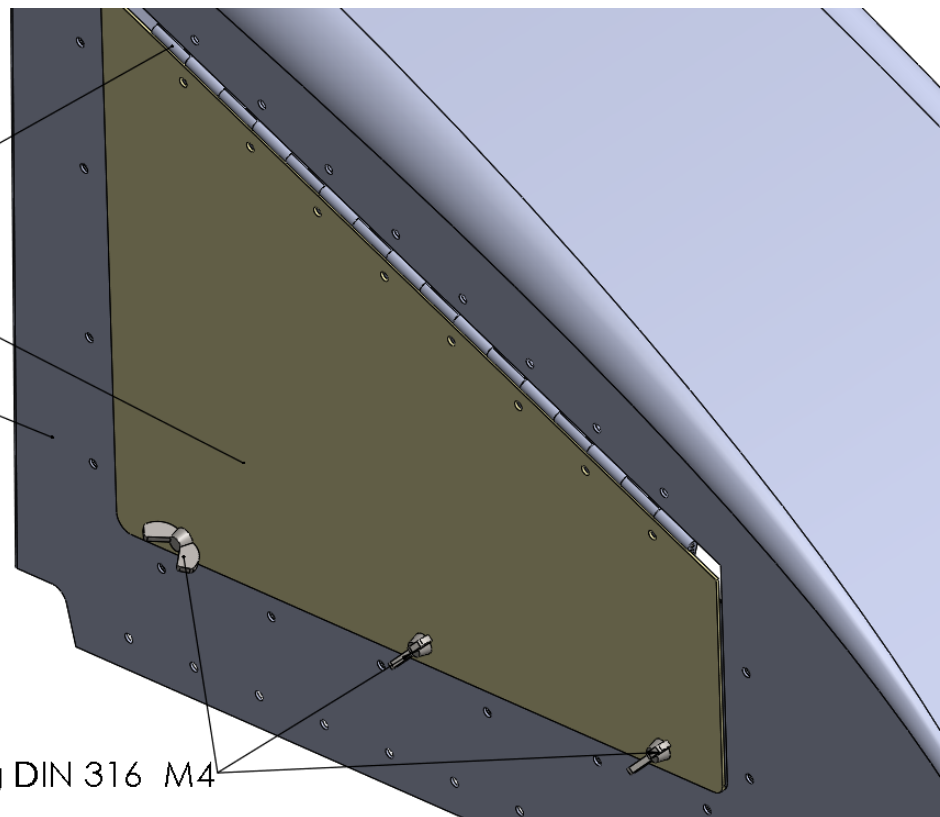
Step 30

Piano hinge

D2_F7_02

D2_F7_01

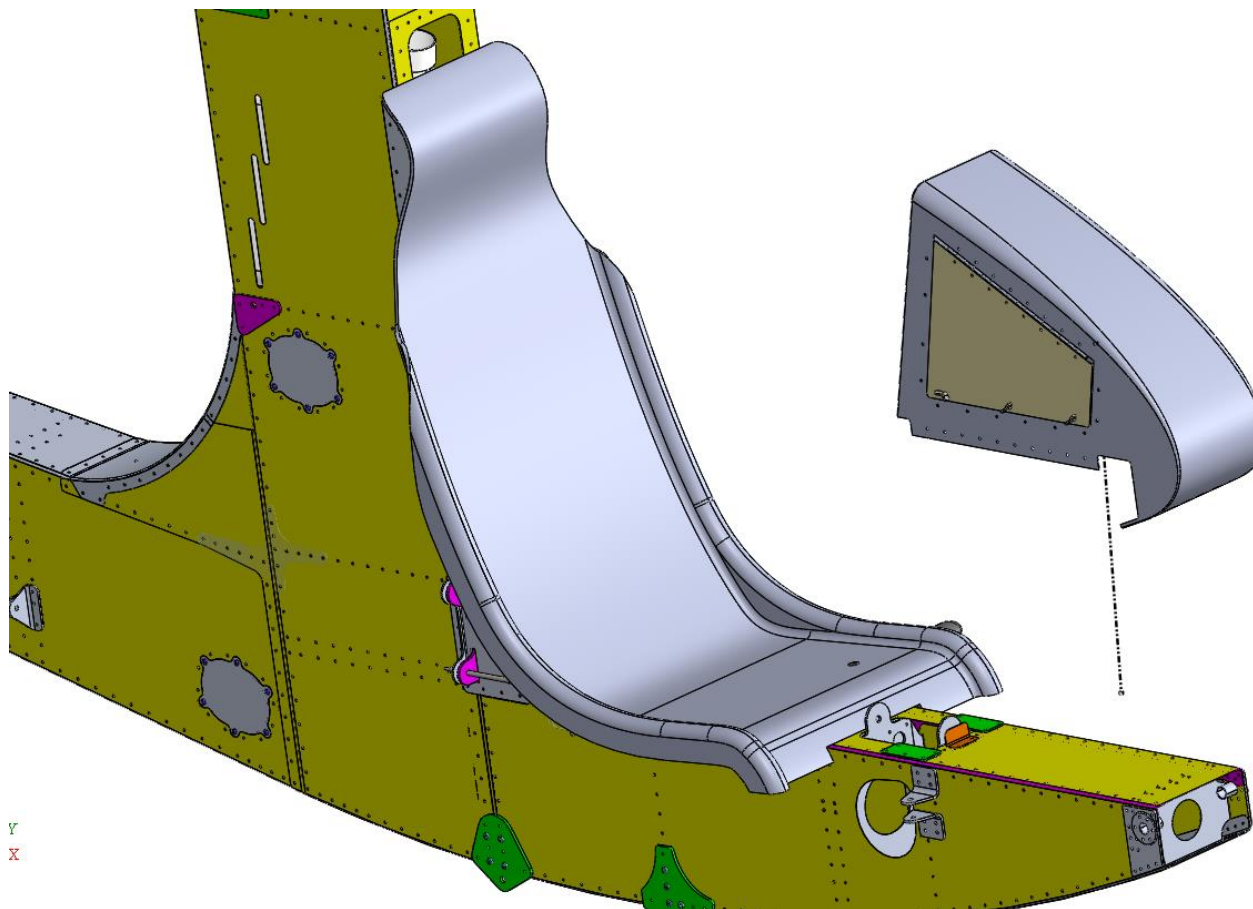
Bolt Wing DIN 316 M4



Title	Document no.	Revision	Page	Pages
Fuselage assembly manual	D2_F0_00	Rev. 03	412	414



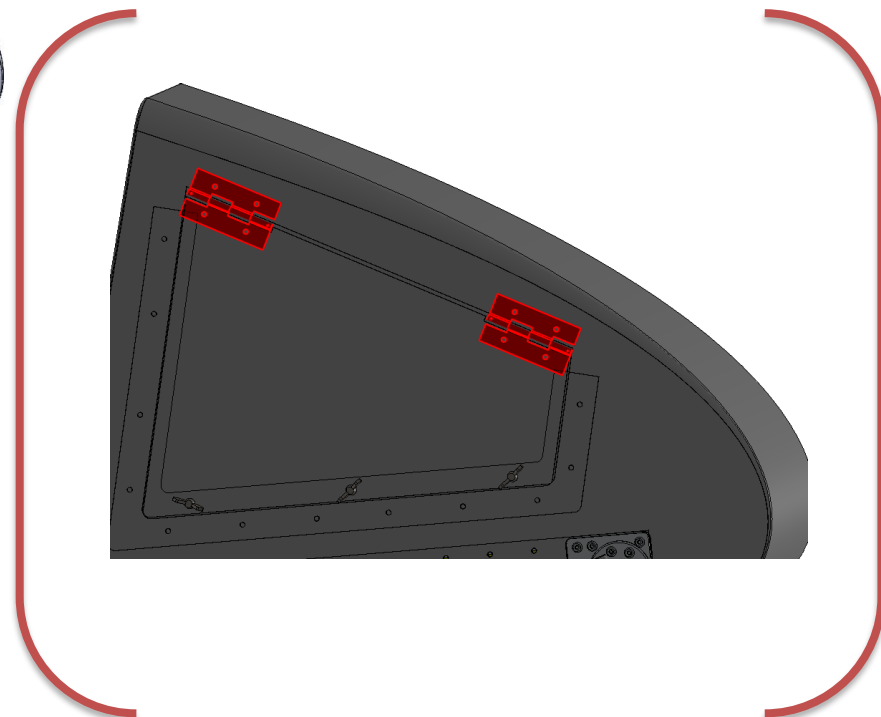
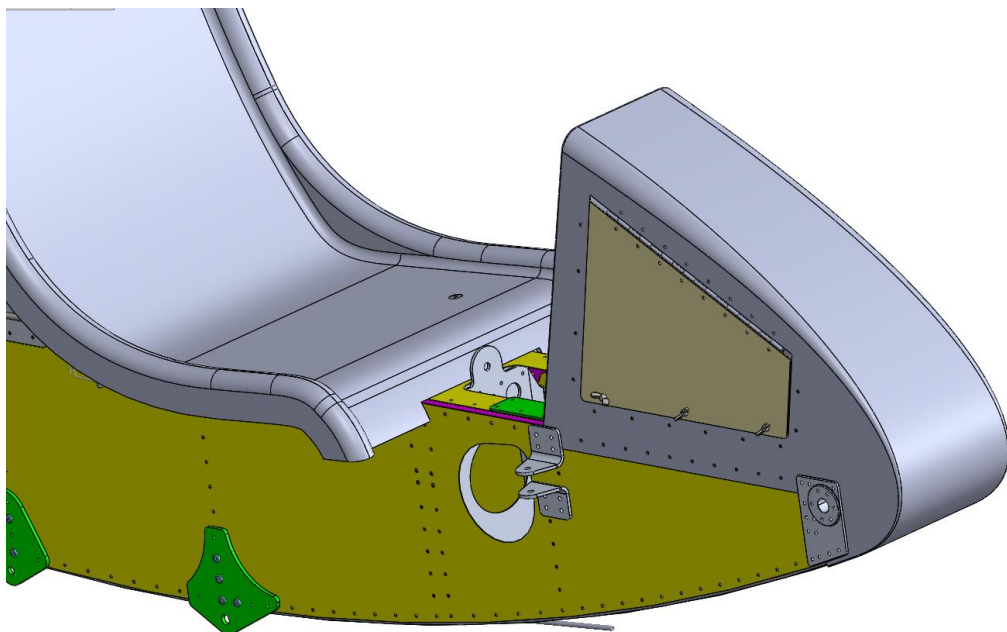
Step 31



Title	Document no.	Revision	Page	Pages
Fuselage assembly manual	D2_F0_00	Rev. 03	413	414



Step 32



Title	Document no.	Revision	Page	Pages
Fuselage assembly manual	D2_F0_00	Rev. 03	414	414