



Title:

## Surface treatment of aluminum alloy parts

Document no.:

**D2\_00\_01**

Revision:

**R03**

Title	Document no.	Revision	Page	Pages
Surface treatment of aluminum alloy parts	D2_01_00	Rev. 03	1	22



## Table of revisions

Revision	Affected pages	Short description of change
00	All	Original issue
01	02, 17	Table of revision, part D2_T2_08N added
02	12, 16, 17	Parts D2_W11_13N, D2_T4_12N removed, parts D2_U1_12N, D2_F4_40N added
03	17 – 22	13 parts from control system, 2 from fuselage added

Title	Document no.	Revision	Page	Pages
Surface treatment of aluminum alloy parts	D2_01_00	Rev. 03	2	22


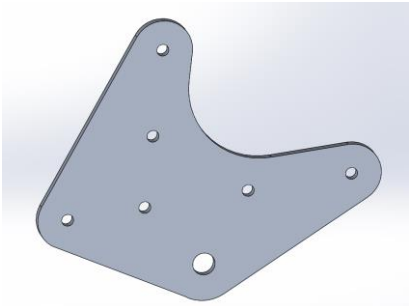
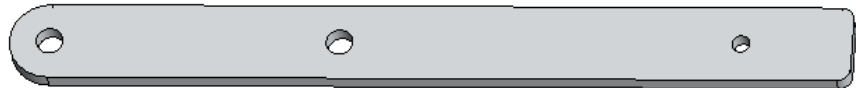


## General information

- It is **absolutely necessary** to carry out a proper anti-corrosion surface treatment of **all parts** made out of **2024** and **2030** alloy! Follow the list of these parts, in tables below.
- It is up to each assembler to consider surface treatment of all other parts of the delivered kit, as it depends on the conditions, in which the airplane is going to be operated and stored.
- It is responsibility of the assembler, to carry out a proper surface treatment and to choose a correct anti-corrosion paint for the aluminum alloys.
- **The supplier of the kit, Future Vehicles s r.o. is not responsible for any possible corrosion that appears during the operation of the airplane, due to the improper surface treatment.**

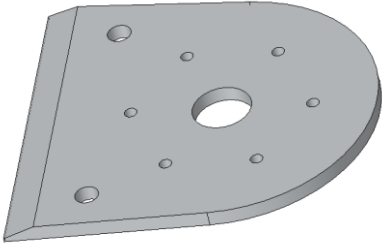

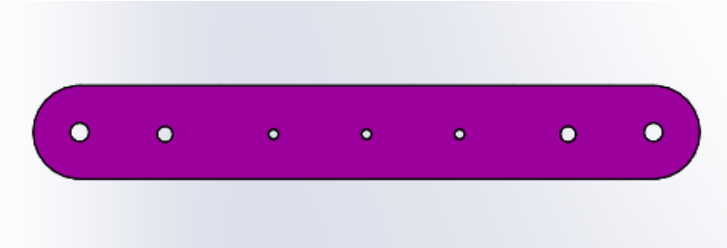
Title	Document no.	Revision	Page	Pages
Surface treatment of aluminum alloy parts	D2_01_00	Rev. 03	3	22



Picture of the part	Part number	Quantity / Airplane
	D2_F1_23N	1
	D2_F1_26N	2
	D2_F1_28N	1

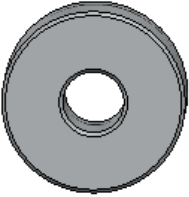
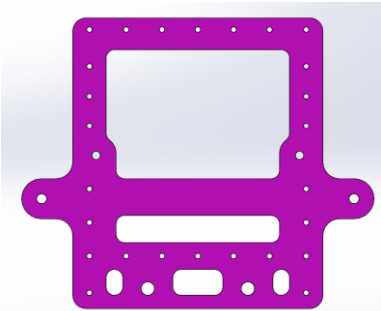
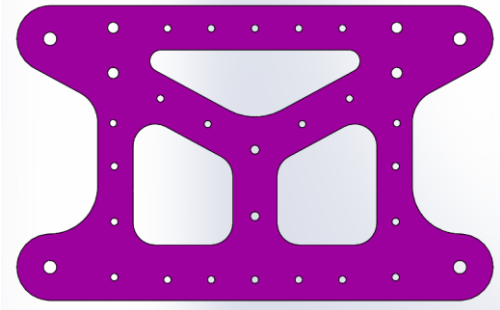
Title	Document no.	Revision	Page	Pages
Surface treatment of aluminum alloy parts	D2_01_00	Rev. 03	4	22



Picture of the part	Part number	Quantity / Airplane
	D2_F1_33N	1
	D2_F4_01N	1
	D2_F4_02N	1

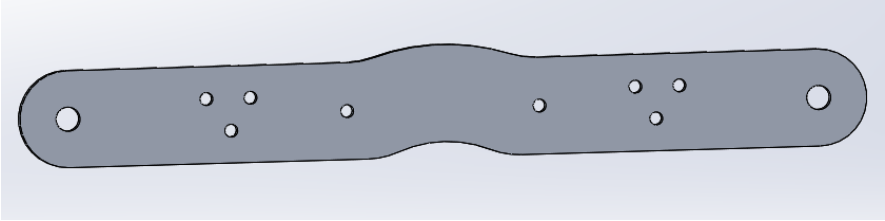
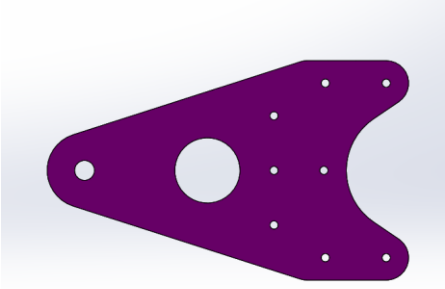
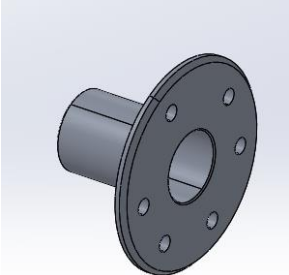
Title	Document no.	Revision	Page	Pages
Surface treatment of aluminum alloy parts	D2_01_00	Rev. 03	5	22



Picture of the part	Part number	Quantity / Airplane
	D2_F4_03N	9
	D2_F4_04N	1
	D2_F4_05N	1

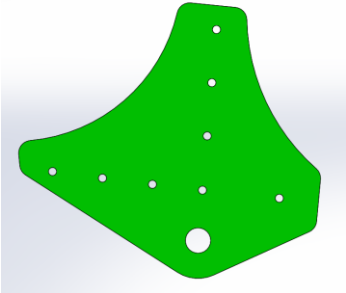
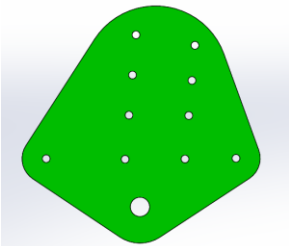
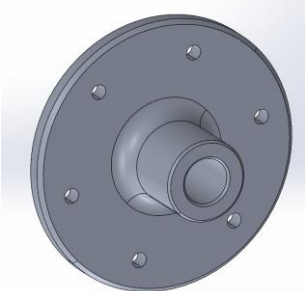
Title	Document no.	Revision	Page	Pages
Surface treatment of aluminum alloy parts	D2_01_00	Rev. 03	6	22



Picture of the part	Part number	Quantity / Airplane
	D2_F4_06N	1
	D2_F4_07N	2
	D2_F4_14N	2

Title	Document no.	Revision	Page	Pages
Surface treatment of aluminum alloy parts	D2_01_00	Rev. 03	7	22

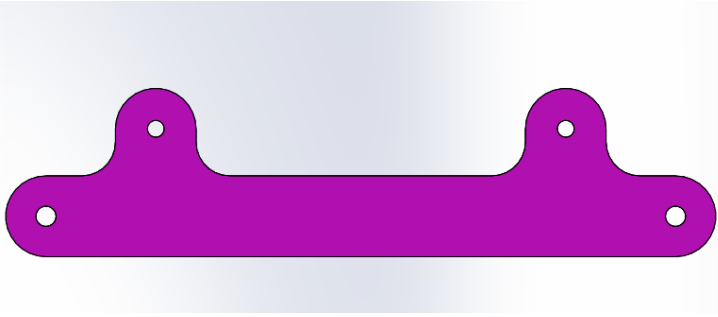
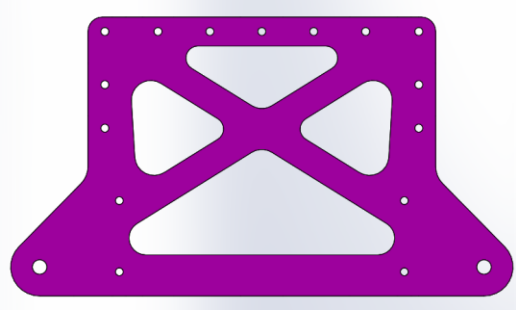


Picture of the part	Part number	Quantity / Airplane
	D2_F4_18N	2
	D2_F4_19N	2
	D2_F4_21N	1

Title	Document no.	Revision	Page	Pages
Surface treatment of aluminum alloy parts	D2_01_00	Rev. 03	8	22

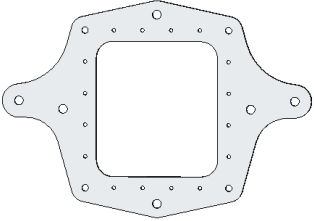
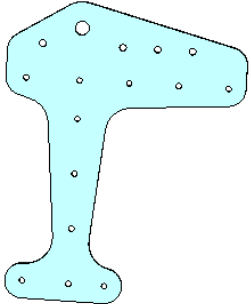




Picture of the part	Part number	Quantity / Airplane
	D2_F4_22N	1
	D2_F4_25N	4
	D2_F4_26N	1

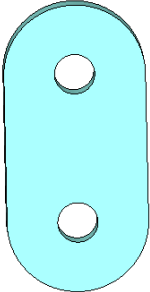
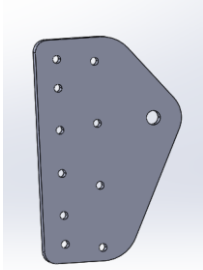

Title	Document no.	Revision	Page	Pages
Surface treatment of aluminum alloy parts	D2_01_00	Rev. 03	9	22



Picture of the part	Part number	Quantity / Airplane
	D2_F4_27N	1
	D2_F4_28N	1
	D2_F6_01	1

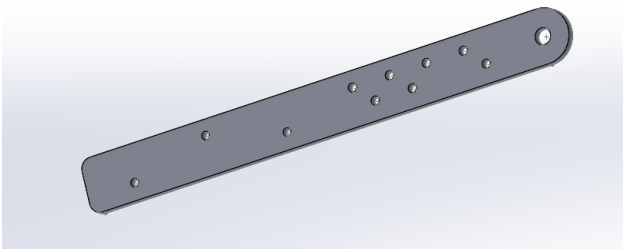
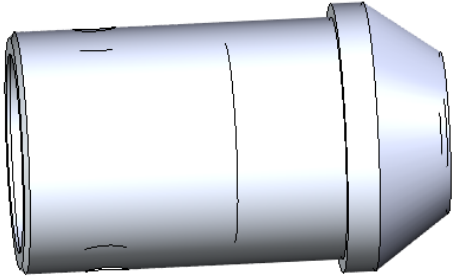

Title	Document no.	Revision	Page	Pages
Surface treatment of aluminum alloy parts	D2_01_00	Rev. 03	10	22



Picture of the part	Part number	Quantity / Airplane
	D2_F6_03	2
	D2_W11_07N	4
	D2_W11_08N	4




Title	Document no.	Revision	Page	Pages
Surface treatment of aluminum alloy parts	D2_01_00	Rev. 03	11	22



Picture of the part	Part number	Quantity / Airplane
	D2_W21_10N	4
	D2_W3_16N	4
	D2_W3_01N	2




Title	Document no.	Revision	Page	Pages
Surface treatment of aluminum alloy parts	D2_01_00	Rev. 03	12	22



Picture of the part	Part number	Quantity / Airplane
	D2_W3_02N	2
	D2_W3_03N	2
	D2_W3_04N	2



Title	Document no.	Revision	Page	Pages
Surface treatment of aluminum alloy parts	D2_01_00	Rev. 03	13	22



Picture of the part	Part number	Quantity / Airplane
	D2_W3_05N	2
	D2_W11_32N	8
	D2_W11_33N	4



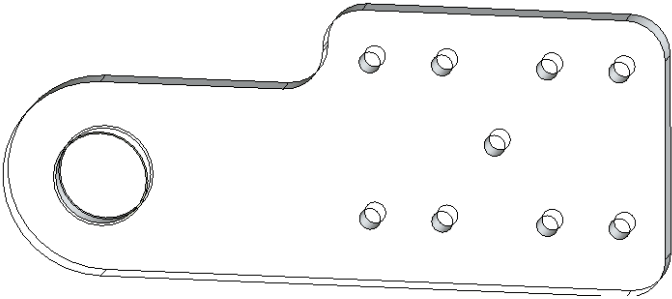
Title	Document no.	Revision	Page	Pages
Surface treatment of aluminum alloy parts	D2_01_00	Rev. 03	14	22



Picture of the part	Part number	Quantity / Airplane
	D2_W11_34N	4
	D2_W11_35N	4

Title	Document no.	Revision	Page	Pages
Surface treatment of aluminum alloy parts	D2_01_00	Rev. 03	15	22


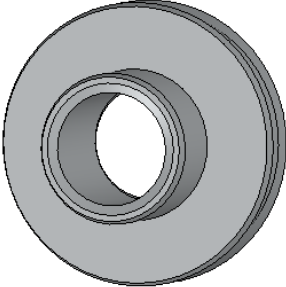
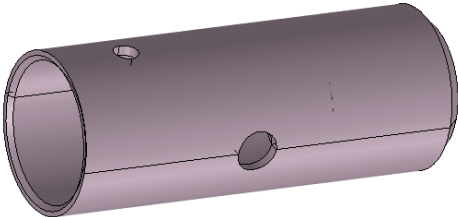


Picture of the part	Part number	Quantity / Airplane
	D2_R_21N	2
	D2_U1_11N	4
	D2_T2_08N	2

Title	Document no.	Revision	Page	Pages
Surface treatment of aluminum alloy parts	D2_01_00	Rev. 03	16	22

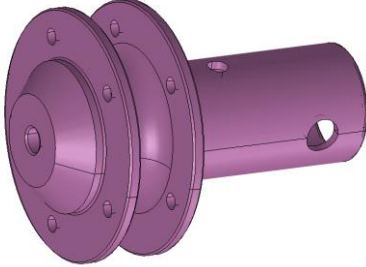

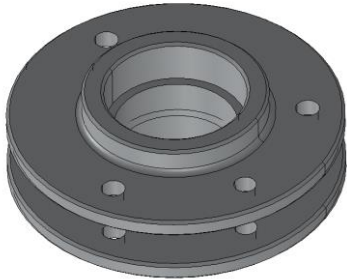




Picture of the part	Part number	Quantity / Airplane
	D2_U1_12N	2
	D2_F4_40N	2
	D2_R_01N	1


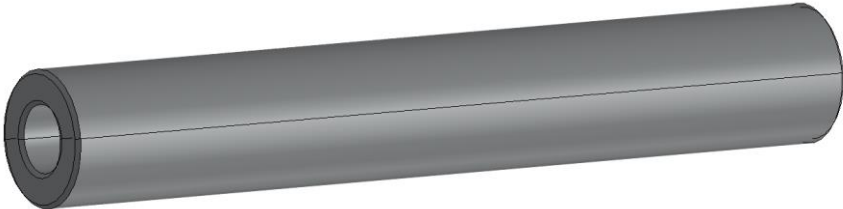

Title	Document no.	Revision	Page	Pages
Surface treatment of aluminum alloy parts	D2_01_00	Rev. 03	17	22



Picture of the part	Part number	Quantity / Airplane
	D2_R_02N	1
	D2_R_04N	1
	D2_R_07N	4




Title	Document no.	Revision	Page	Pages
Surface treatment of aluminum alloy parts	D2_01_00	Rev. 03	18	22



Picture of the part	Part number	Quantity / Airplane
	D2_R_09N	10
	D2_R_13N	2
	D2_R_14N	2


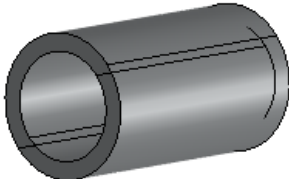
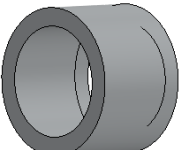
Title	Document no.	Revision	Page	Pages
Surface treatment of aluminum alloy parts	D2_01_00	Rev. 03	19	22



Picture of the part	Part number	Quantity / Airplane
	D2_R_15N	1
	D2_R_16N	1
	D2_R_17N	1

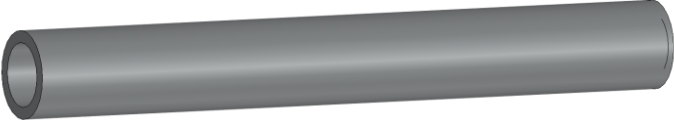
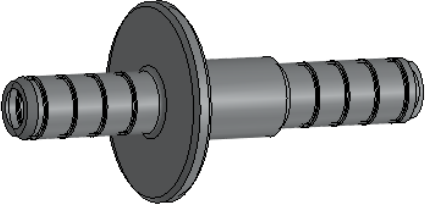
Title	Document no.	Revision	Page	Pages
Surface treatment of aluminum alloy parts	D2_01_00	Rev. 03	20	22



Picture of the part	Part number	Quantity / Airplane
	D2_R_18N	1
	D2_R_19N	2
	D2_R_23N	4

Title	Document no.	Revision	Page	Pages
Surface treatment of aluminum alloy parts	D2_01_00	Rev. 03	21	22



Picture of the part	Part number	Quantity / Airplane
	D2_F4_34N	1
	D2_F5_02N	4

Title	Document no.	Revision	Page	Pages
Surface treatment of aluminum alloy parts	D2_01_00	Rev. 03	22	22